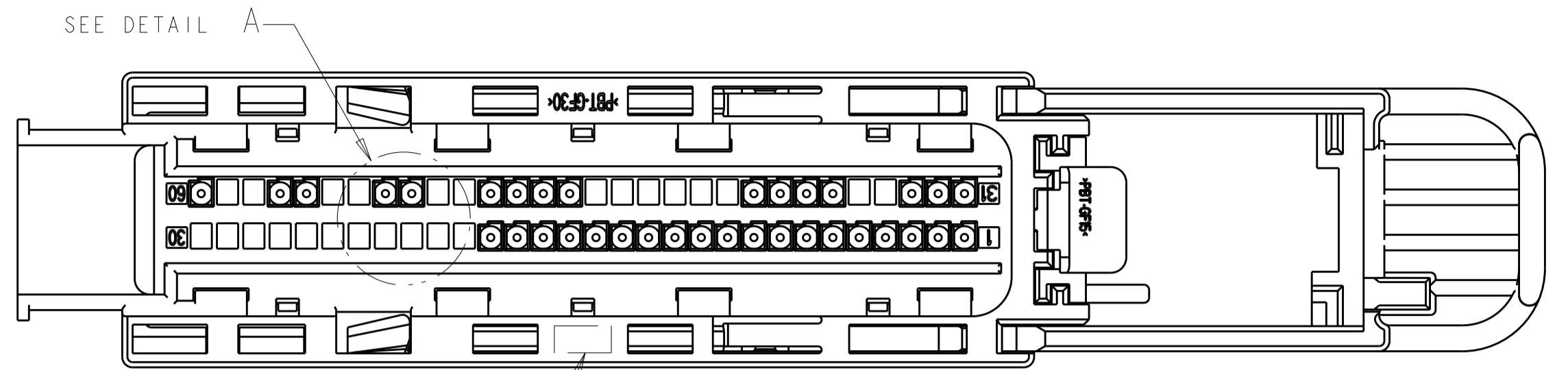
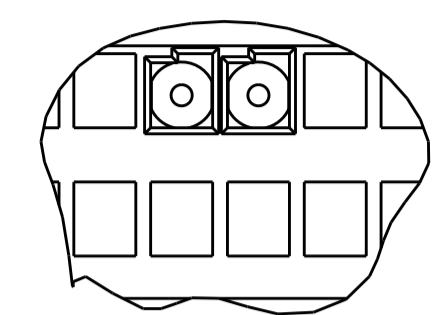


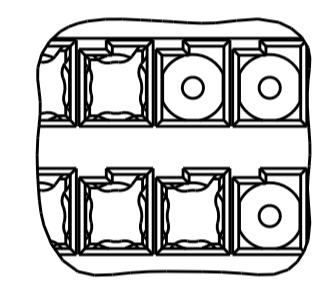
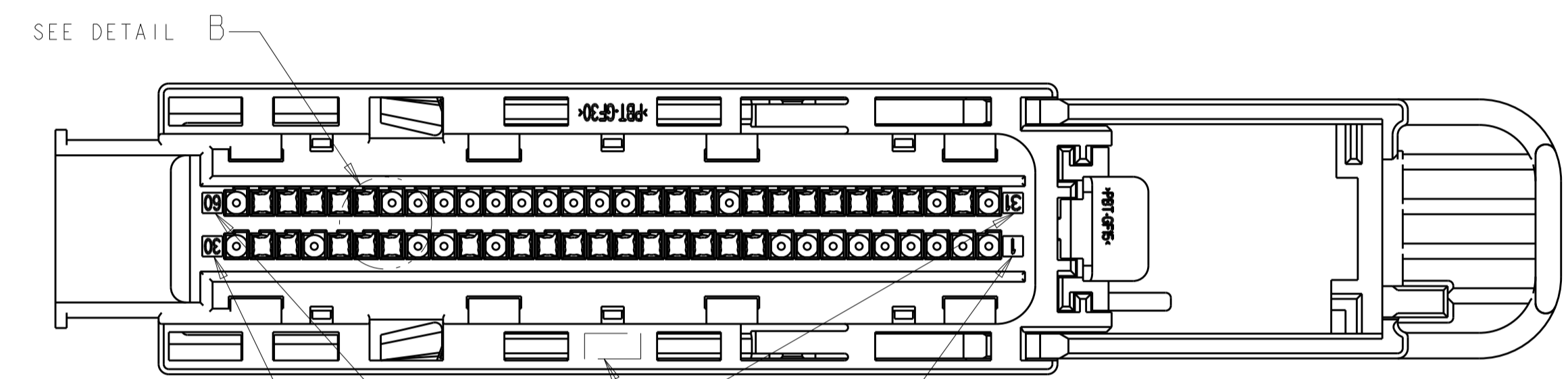
REVISIONS				
P.	LTN	DESCRIPTION	DATE	OWN APVD
BA3		REVISED PER ECO-15-004852	27MAR2015	DLD DLD



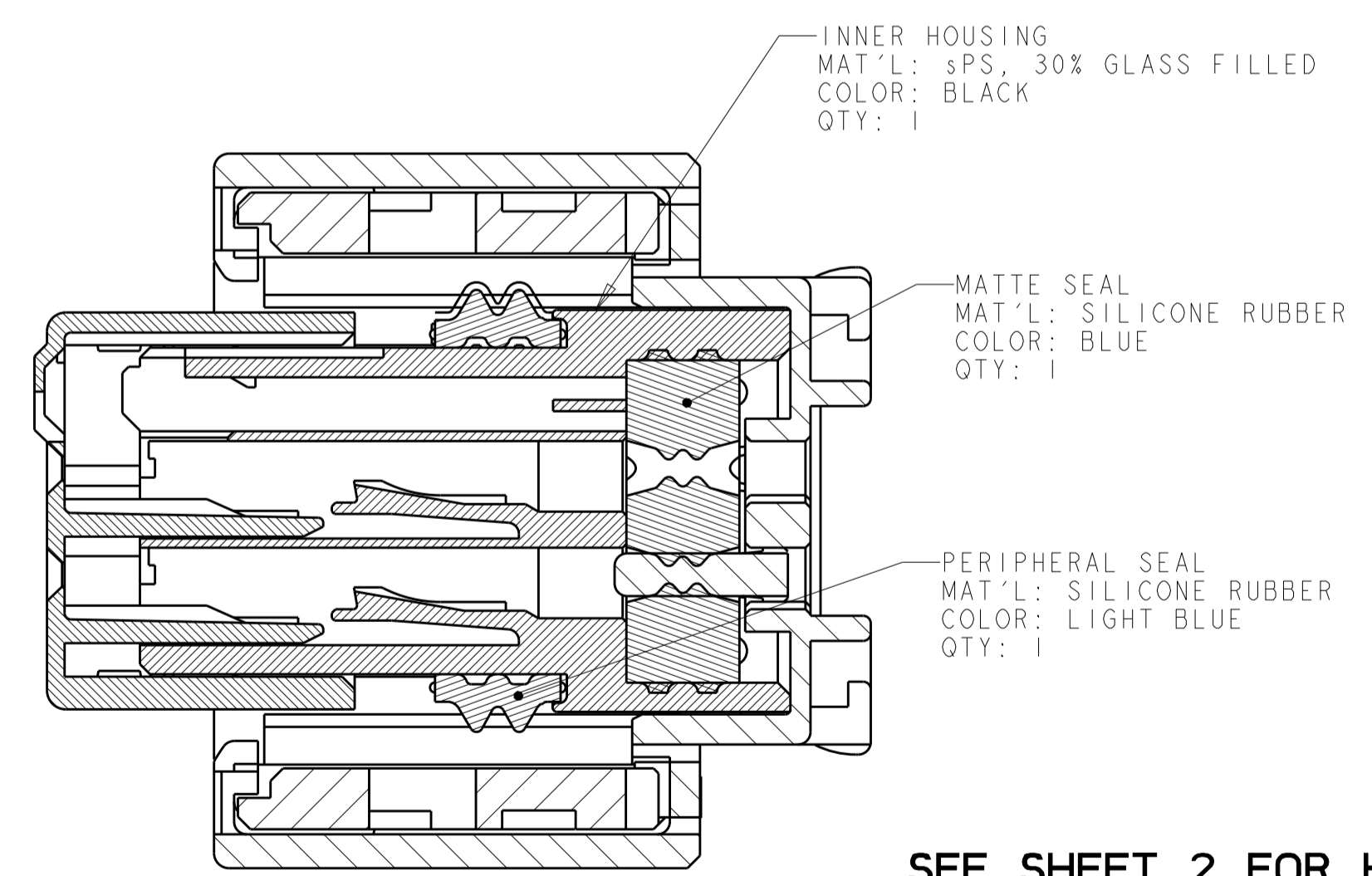
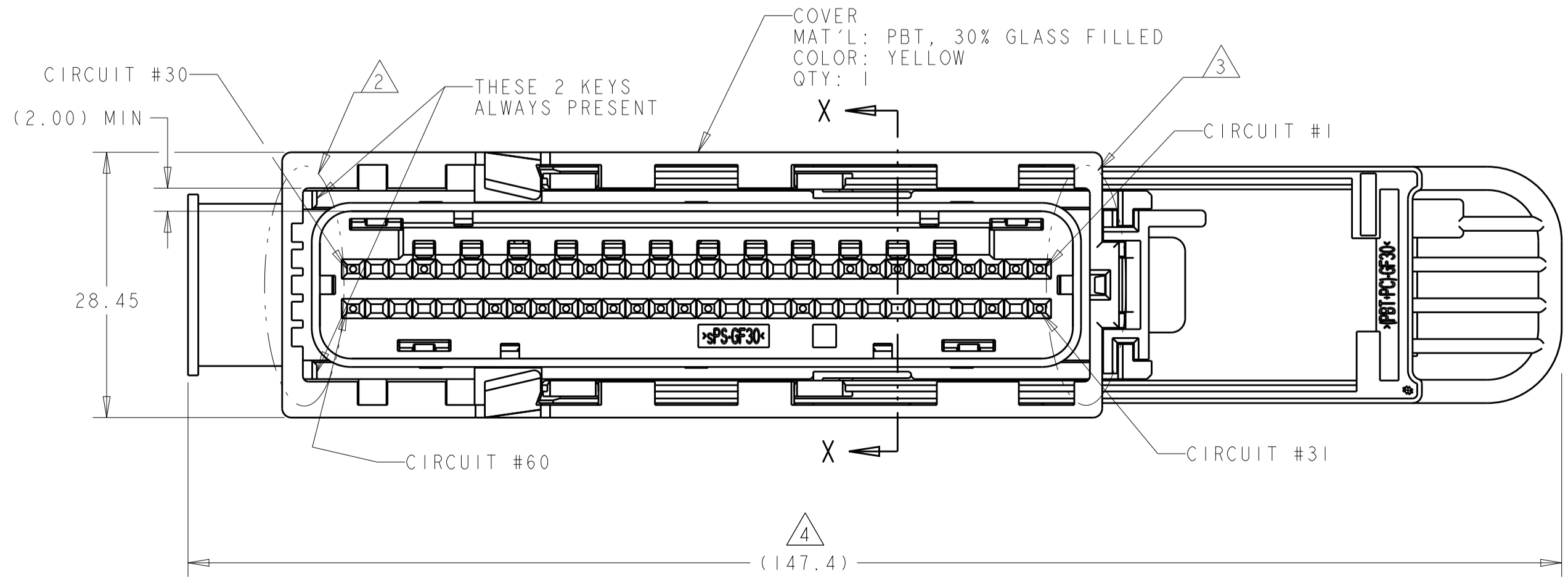
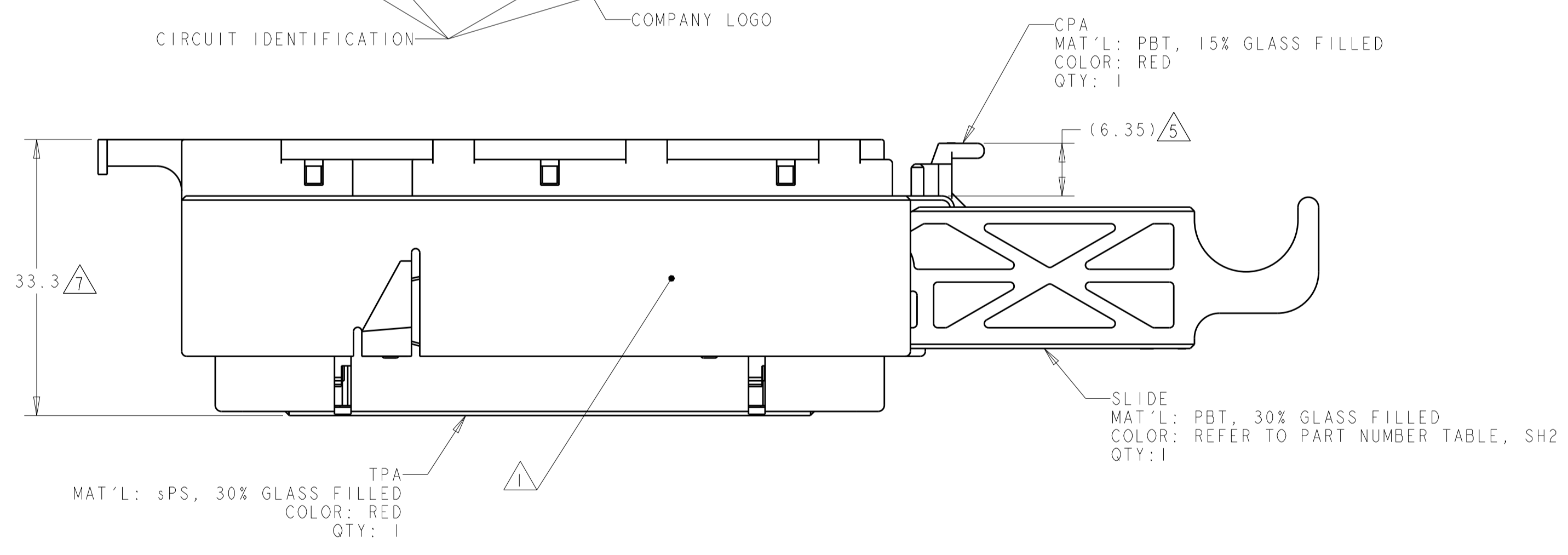
ALTERNATE CONSTRUCTION



DETAIL A  
SCALE 4:1



DETAIL B  
SCALE 4:1



SECTION X-X  
SCALE 4:1

SEE SHEET 2 FOR HEADER INTERFACE SPECIFICATION,  
SHEET 6 FOR KEYING ARRANGEMENTS,  
AND SHEETS 7, 8 & 9 FOR CIRCUIT ARRANGEMENTS

- △ TE CONNECTIVITY (TE) PART NUMBER AND JULIAN DATE CODE MARKED ON THIS SIDE.
- △ SEE KEYING ARRANGEMENT TABLE FOR KEYWAY LOCATIONS, SEE SHEET 6.
- △ SEE KEYING ARRANGEMENT TABLE FOR KEY LOCATIONS, SEE SHEET 6.
- △ SLIDE SHOWN IN UNLOCKED POSITION.
- △ CPA SHOWN IN UNLOCKED POSITION.
- △ NOTE DELETED.
- △ TPA SHOWN IN UNLOCKED POSITION.
- 8. REFER TO DRAWING C-638623 AND/OR C-1488143 FOR MATING CONNECTOR INFORMATION.
- △ NOT FOR PRODUCTION USE.
- 10. MISCELLANEOUS COMPONENT ENGAGE/DISENGAGE FORCE, SAE/USCAR-2, SECTION 5.4.4.4, G.M. APPROVED DEVIATION:  
TPA (PRE-SET TO FULL) FORCES TO BE 15 TO 55 NEWTONS.
- 11. MISCELLANEOUS COMPONENT ENGAGE/DISENGAGE FORCE, SAE/USCAR-2, SECTION 5.4.4.4, G.M. APPROVED DEVIATION:  
CPA (PRE-SET TO FULL) FORCES TO BE 7 TO 30 NEWTONS.
- 12. POLARIZATION FEATURE EFFECTIVENESS, SAE/USCAR-2, SECTION 4.3.4, G.M. APPROVED DEVIATION:  
DURING MISMATING FORCE TESTING CERTAIN CONNECTOR/HEADER COMBINATIONS MAY ALLOW ELECTRICAL CONTACT OF UP TO 26 PINS BELOW THE REQUIRED 220 NEWTON FORCE.
- 13. CONNECTOR-CONNECTOR MATING/UNMATING FORCE, SAE/USCAR-2, SECTION 5.4.2.4, G.M. APPROVED DEVIATION:  
MATING FORCE IS ACCEPTABLE FOR THE CONNECTOR/HEADER SYSTEM UP TO 50 TERMINALS AT ≤ 75 NEWTONS.
- 14. APPLICABLE TE GET FEMALE TERMINALS:  
FOR 0.22/0.35 WIRE SECTION, TERMINAL PART NUMBER 1393364-2  
FOR 0.50/0.75 WIRE SECTION, TERMINAL PART NUMBER 1393365-2
- 15. REFER TO POGO PIN FOR GET SOCKET TERMINAL ON TE DRAWING #114-18411 FOR CONTINUITY TESTING.
- △ PRELIMINARY NOT RELEASED FOR PRODUCTION.

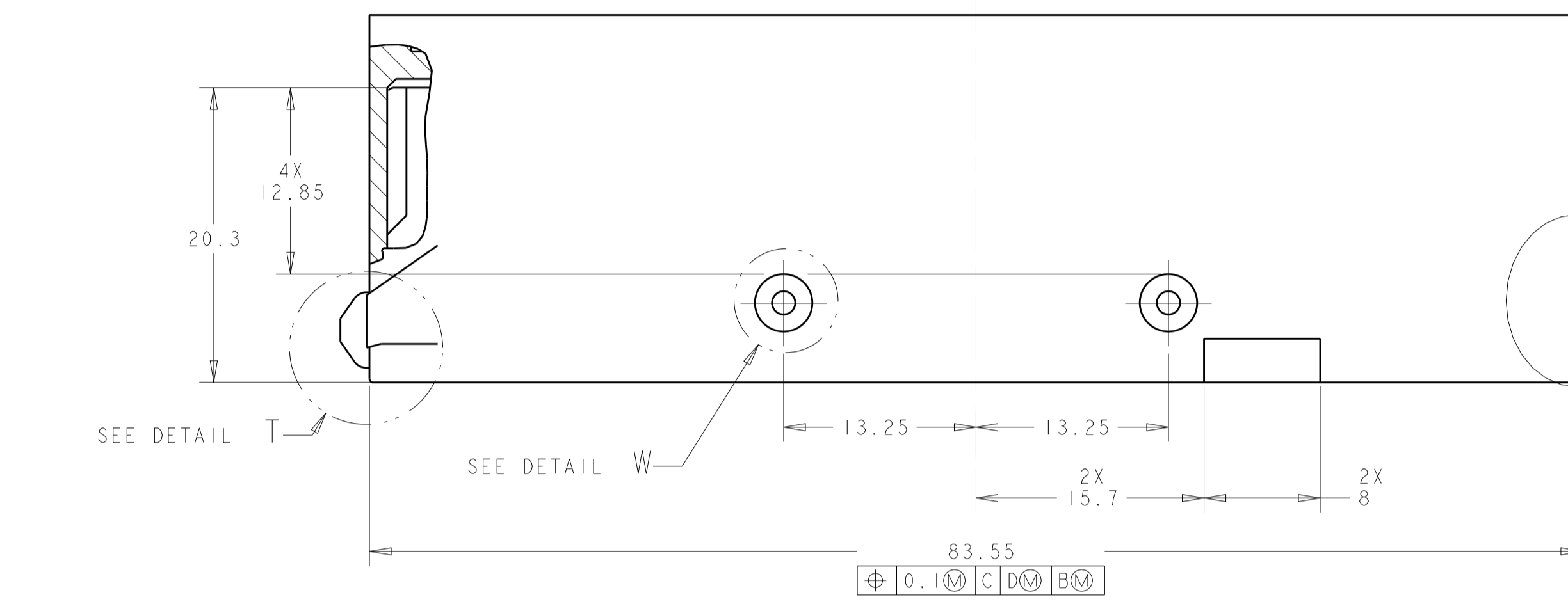
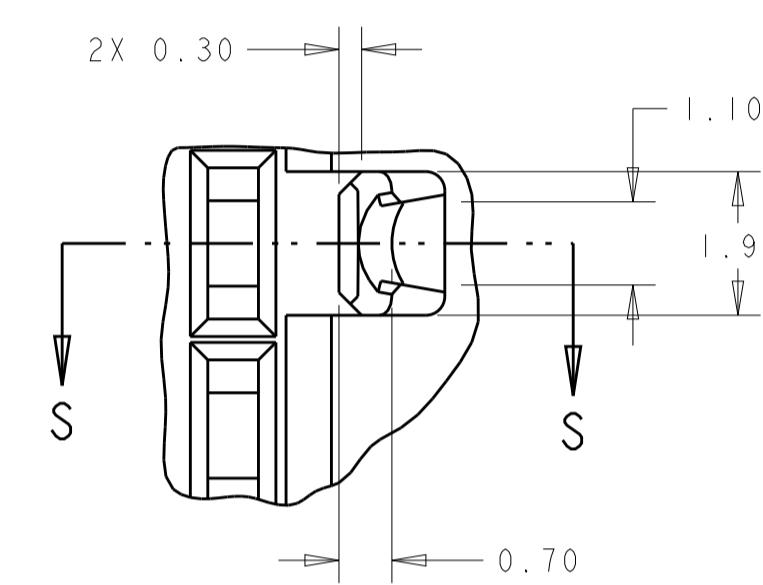
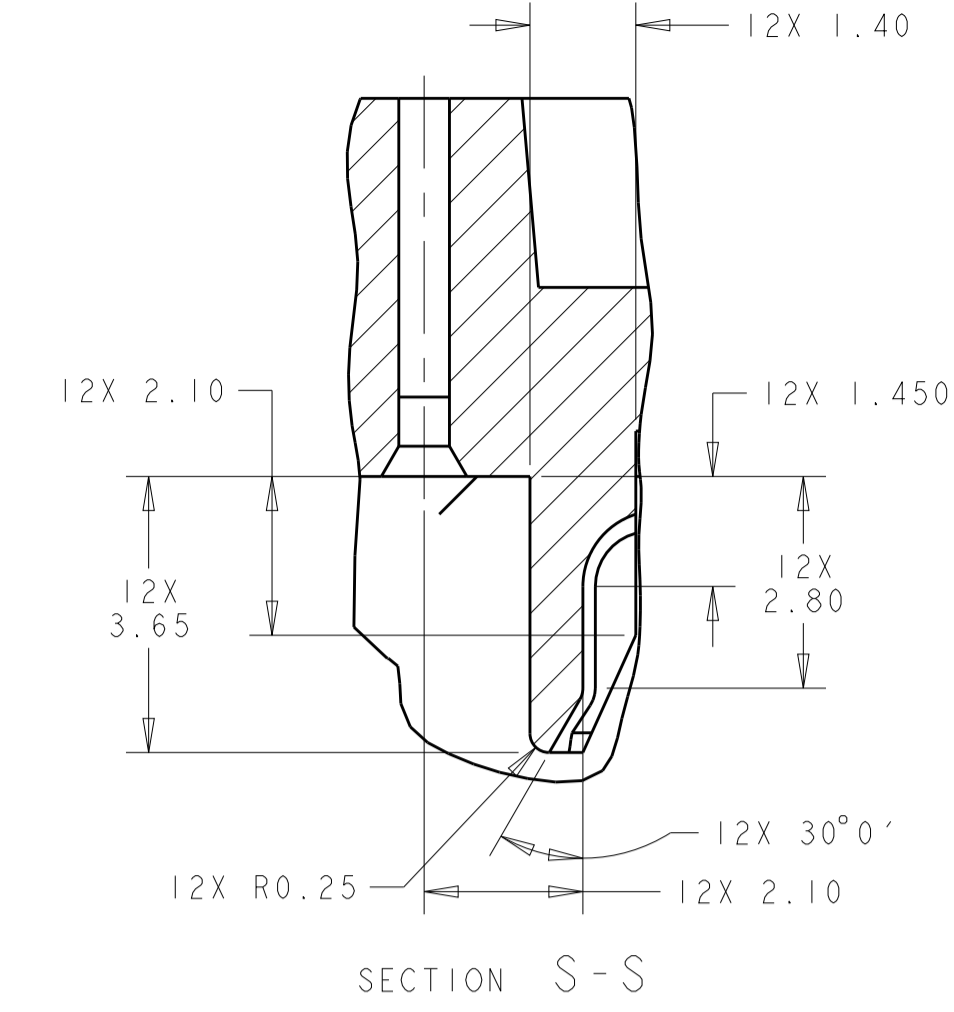
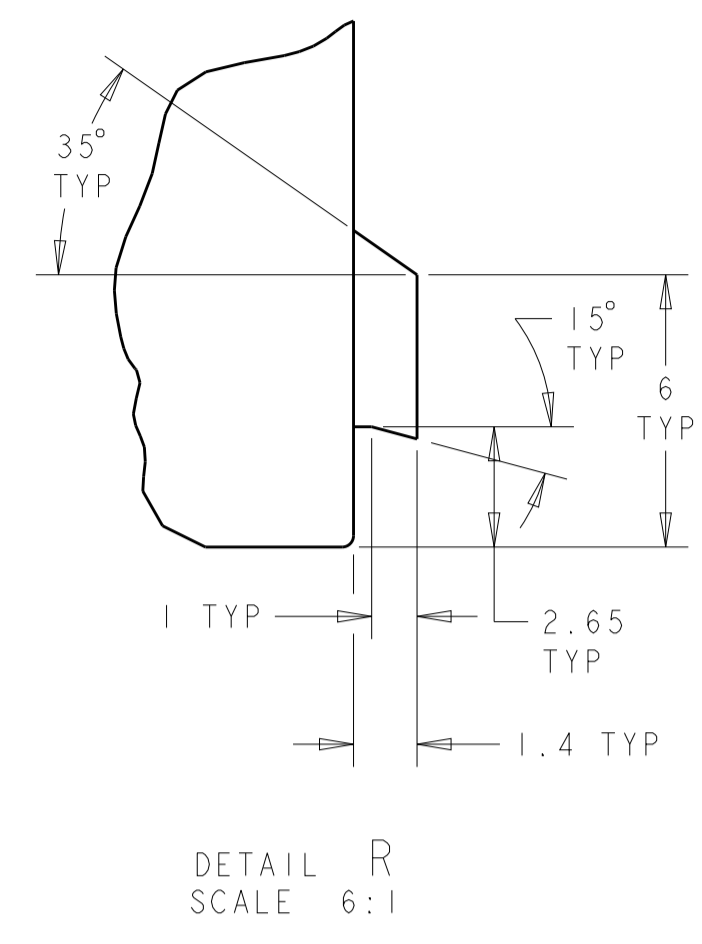
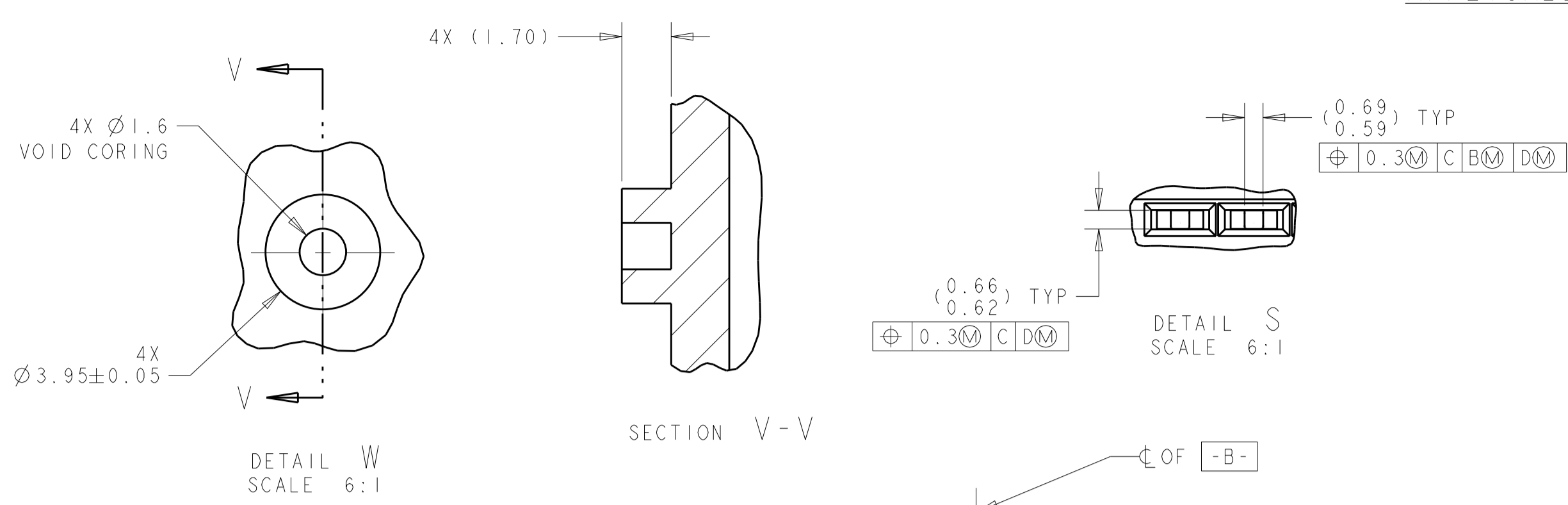
SEE SHEET 3  
PART NUMBER

THIS DRAWING IS A CONTROLLED DOCUMENT.		OWN: J. R. SHUEY 31MAR2000		NAME: ASSEMBLY, FEMALE, 60 WAY GET SDM CONNECTOR (SHUNTLESS VERSION)	
DIMENSIONS: mm		CHK: V. KANE 31MAR2000		PRODUCT SPEC	
TOLERANCES UNLESS OTHERWISE SPECIFIED:		APVD: J. M. MYER 31MAR2000	APPLICATION SPEC		RESTRICTED TO
0 PLC ±		SIZE: 114-13060		CAGE CODE: A100779	
1 PLC ±0.5		WEIGHT: -		SCALE: 2:1	
2 PLC ±0.20		CUSTOMER DRAWING		SHEET 1 OF 10	
3 PLC ±				REV: BA3	
4 PLC ±					
ANGLES ±					
FINISH					
MATERIAL: SEE CALLOUT					

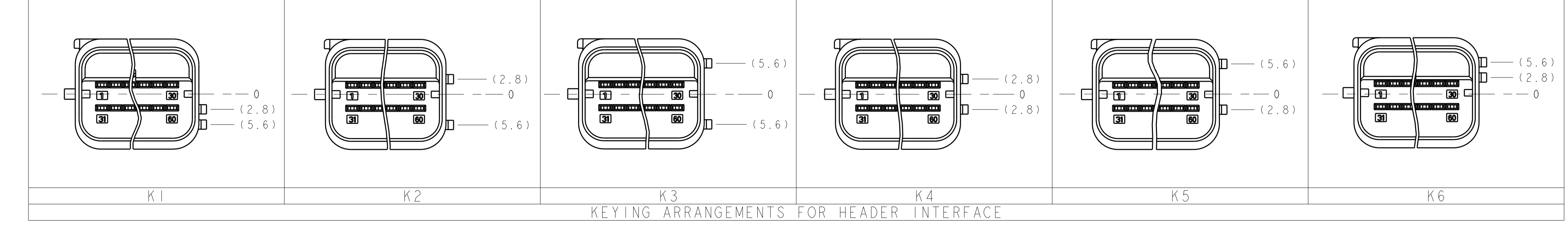
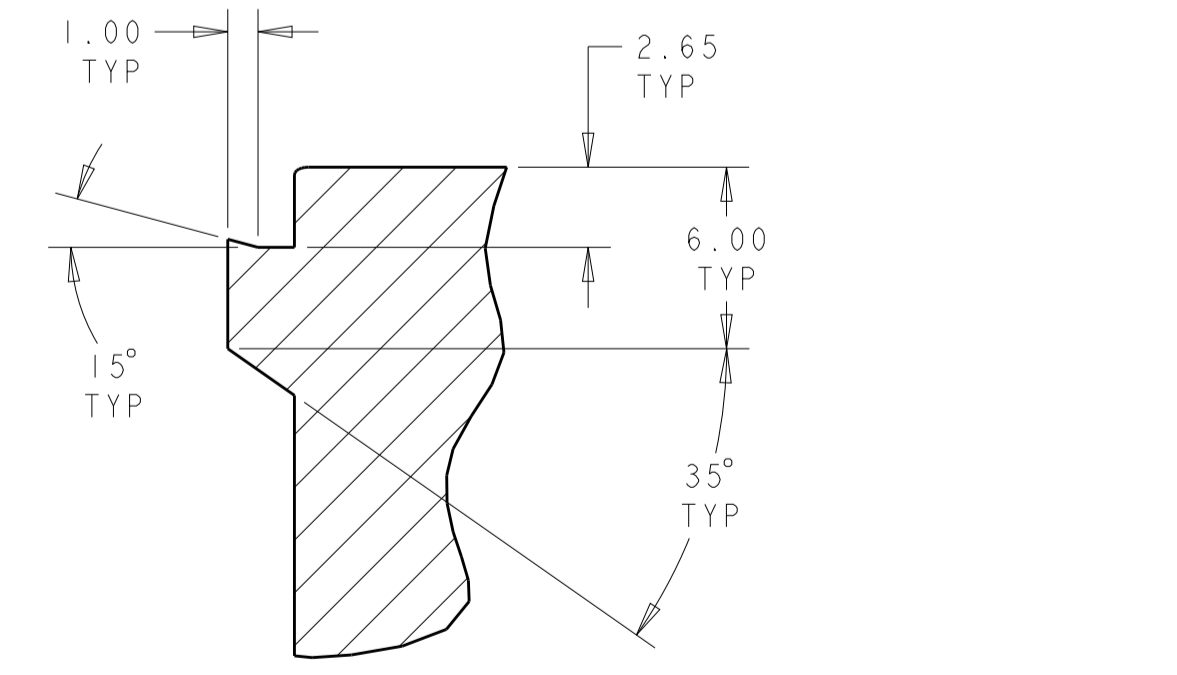
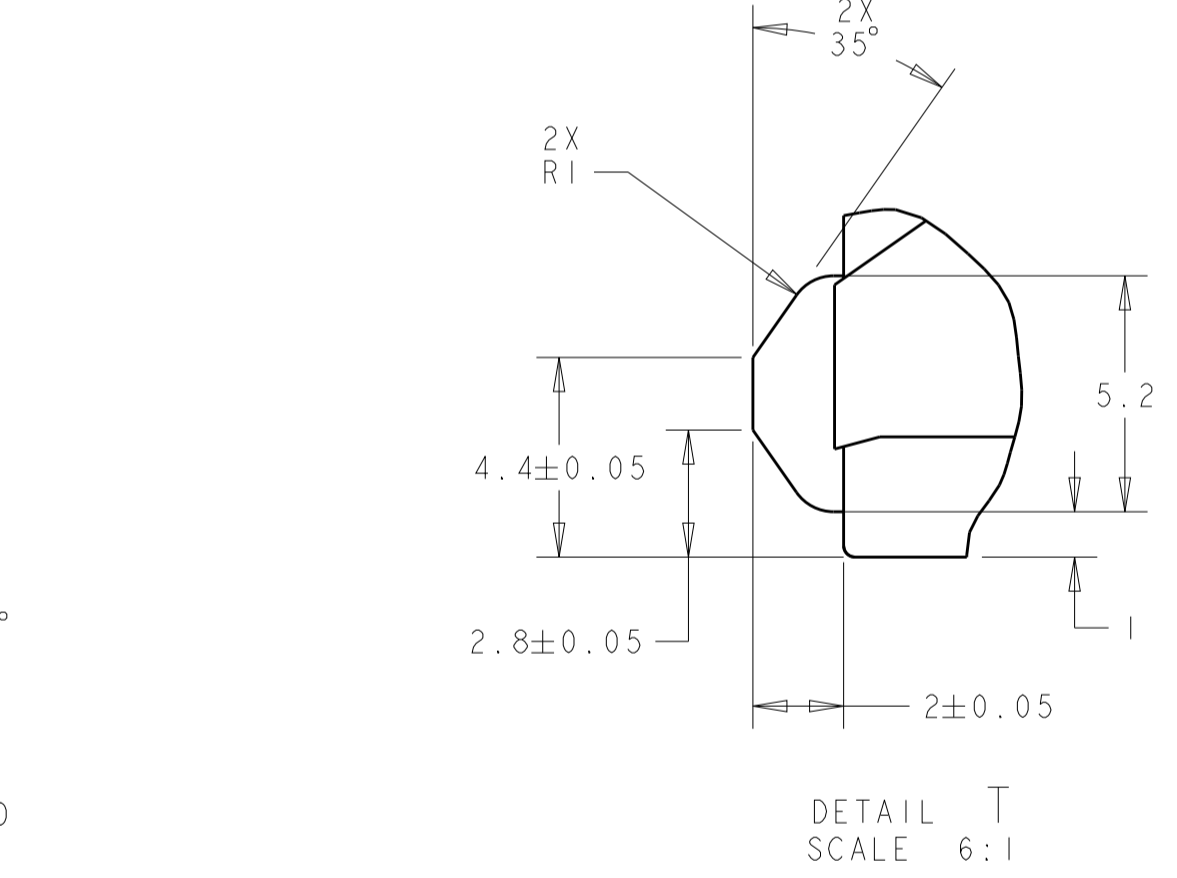
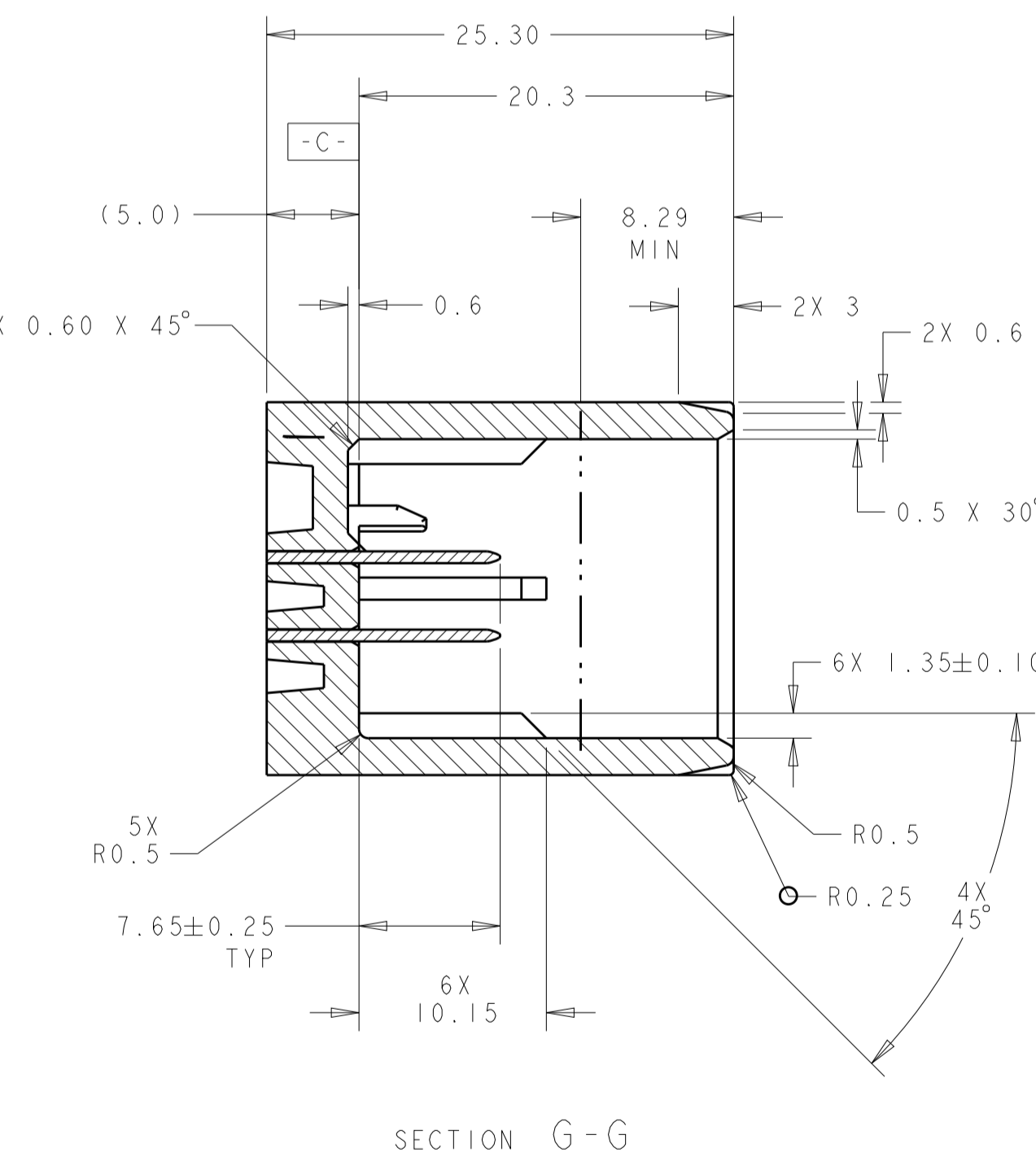
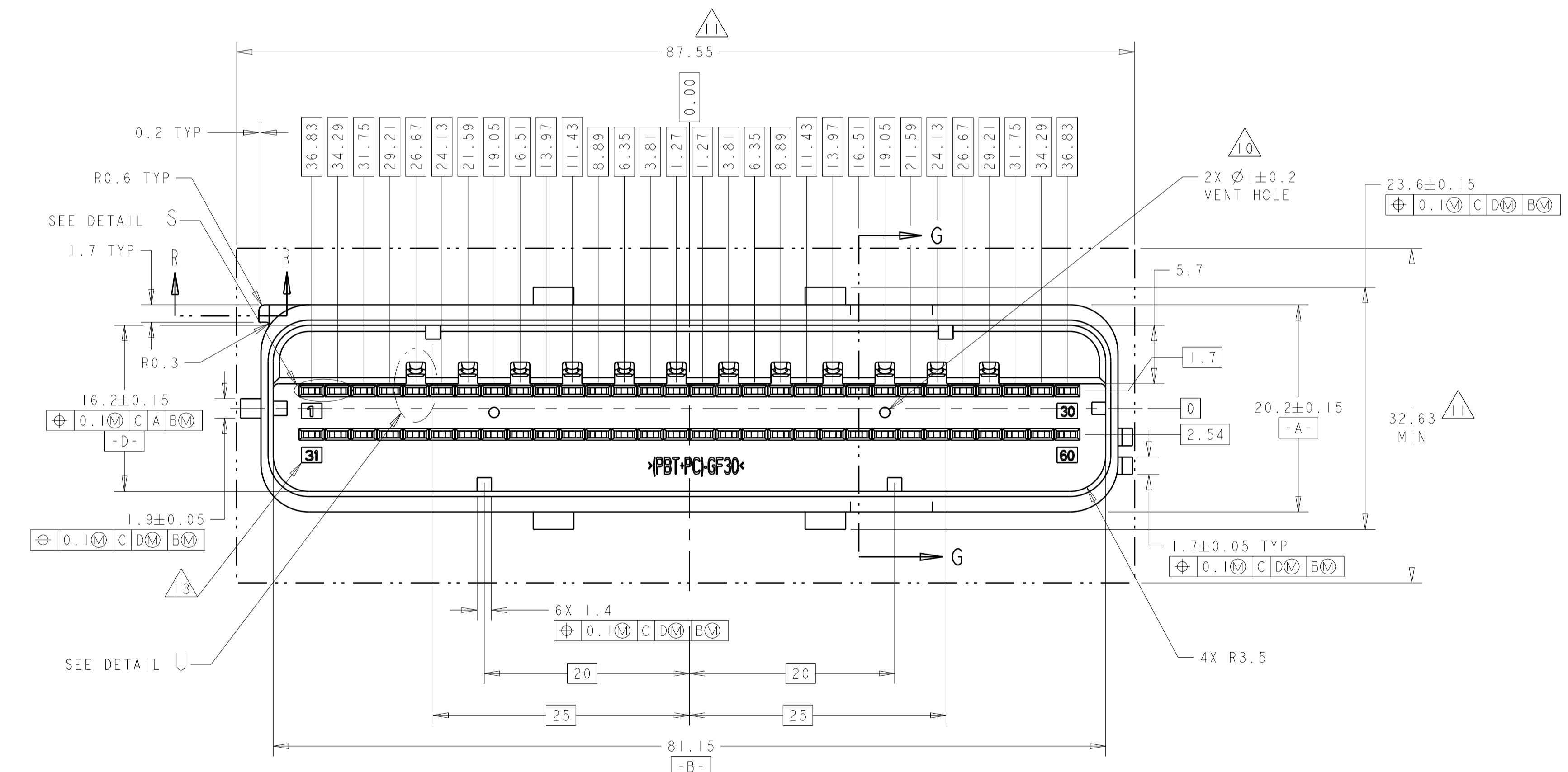
# APPLICABLE HEADER INTERFACE SPECIFICATION

SHOWN WITH KEYING OPTION K1  
SCALE 3:1

REVISIONS				
REV	DATE	BY	CHKD	APP'D
1				
2				
3				
4				
5				
6				
7				
8				



- NOTE(S): UNLESS OTHERWISE SPECIFIED
- PART MUST CONFORM TO THE LATEST LEVEL OF USCAR DATED 951010.
  - ALL PLASTIC PARTS MUST HAVE MATERIAL IDENTIFICATION SYMBOLS CLEARLY MARKED, WHEREVER PACKAGE SIZE PERMITS.
  - GENERAL TOLERANCES: ±0.2 ALL ONE PLACE DIMENSIONS, ±0.1 ALL TWO PLACE DIMENSIONS, ±2° ALL ANGULAR PLACE DIMENSIONS
  - ALL RADIUS ±0.5.
  - PIN PLATING DETAILS . . . . .
  - (SEALED INTERFACES ONLY) SEALING SURFACE MUST BE SMOOTH AND FREE OF PARTING LINES.
  - PARTS ARE TO BE FREE OF SCRATCHES, DISCOLORATION, SALT RESIDUE OR OTHER IMPERFECTIONS THAT MAY AFFECT FUNCTION OR FIT OF PART.
  - DRAFT ANGLE PERMISSIBLE ONLY WITHIN PRINT TOLERANCE.
- 9 SEALING SURFACE, NO WITNESS LINES OR DAMAGE PERMITTED.
  - 10 VENT HOLE SIZE AND LOCATION OPTIONAL.
  - 11 THIS AREA TO REMAIN CLEAR FOR HARNESS ASSEMBLY.
  - 12 HOUSING MATERIAL SELECTION BASED ON PERFORMANCE REQUIRED FOR END APPLICATION AND SOLDERING PROCESS.  
POLYESTER (PBT) - 30% GLASS TESTED TO USCAR2, REV 3, CLASS 2, MAX. AMBIENT 100 DEGREE C.
  - 13 CIRCUIT NUMBERS 1.0 HIGH CHARACTERS RAISED 0.05 - 0.1 IN A 0.10 TO 0.15 RECESSED AREA.




THIS DRAWING IS A CONTROLLED DOCUMENT.		OWN: J. R. SHUEY 31MAR2000	TE Connectivity ASSEMBLY, FEMALE, 60 WAY GET SDM CONNECTOR (SHUNTLESS VERSION)
DIMENSIONS: mm		CHK: V. KANE 31MAR2000	
TOLERANCES UNLESS OTHERWISE SPECIFIED:		APVD: J. M. MYER 31MAR2000	NAME: ASSEMBLY, FEMALE, 60 WAY GET SDM CONNECTOR (SHUNTLESS VERSION)
0 PLC ± 1 PLC ±0.5 2 PLC ±0.20 3 PLC ± 4 PLC ± ANGLES ±		PRODUCT SPEC	SIZE: CAGE CODE DRAWING NO
MATERIAL: SEE CALLOUT		APPLICATION SPEC	RESTRICTED TO
FINISH: SEE CALLOUT		WEIGHT: 114-13060	A100779C=638595
CUSTOMER DRAWING		SCALE: 2:1	SHEET 2 OF 10



THIS DRAWING IS UNPUBLISHED. RELEASED FOR PUBLICATION 20  
 © COPYRIGHT 20 BY - ALL RIGHTS RESERVED.

REVISIONS				
P.	LTN	DESCRIPTION	DATE	DMN
-	-	SEE SHEET 1	-	-

13577852	BLACK	C134	K5	3-1924558-7
13502172	BLACK	C130	K3	2-1924558-2
13502171	BLACK	C120	K3	2-1924558-1
13502170	BLACK	C42	K6	2-1924558-0
13502169	BLACK	C91	K6	1-1924558-9
19206496	BLACK	C125	K4	1-1924558-8
19206495	BLACK	C126	K2	1-1924558-7
19206494	BLACK	C125	K1	1-1924558-6
19206493	BLACK	C124	K3	1-1924558-5
19206492	BLACK	C123	K3	1-1924558-4
19206488	BLACK	C46	K3	1-1924558-0
19152767	BLACK	C37	K2	1924558-8
19180411	BLACK	C22	K3	1924558-7
19179682	BLACK	C22	K6	1924558-5
19179684	BLACK	C29	K5	1924558-2
19179685	BLACK	C28	K2	1924558-1
GM PART NUMBER	SLIDE COLOR	CIRCUIT ARRANGEMENT (SEE TABLE ON SH. 5 & 6)	KEYING ARRANGEMENT (SEE TABLE ON SHEET 5)	PART NUMBER

THIS DRAWING IS A CONTROLLED DOCUMENT.		DMN J. R. SHUEY 31MAR2000	 TE Connectivity
DIMENSIONS: mm		CHK V. KANE 31MAR2000	
TOLERANCES UNLESS OTHERWISE SPECIFIED:		APVD J. M. MYER 31MAR2000	NAME ASSEMBLY, FEMALE, 60 WAY GET SDM CONNECTOR (SHUNTLESS VERSION)
0 PLC ±	1 PLC ±0.5	PRODUCT SPEC	SIZE CAGE CODE DRAWING NO. RESTRICTED TO
2 PLC ±0.20	3 PLC ±	APPLICATION SPEC	A 100779 C=638595
4 PLC ±	ANGLES ±	WEIGHT	SCALE 2:1 SHEET 4 OF 10
MATERIAL - SEE CALLOUT	FINISH - SEE CALLOUT	CUSTOMER DRAWING	REV BA3

REVISIONS				
P.	LTN	DESCRIPTION	DATE	APVD
-	-	SEE SHEET 1	-	-

NOT INTENDED FOR PRODUCTION USE  
 SERVICE PART

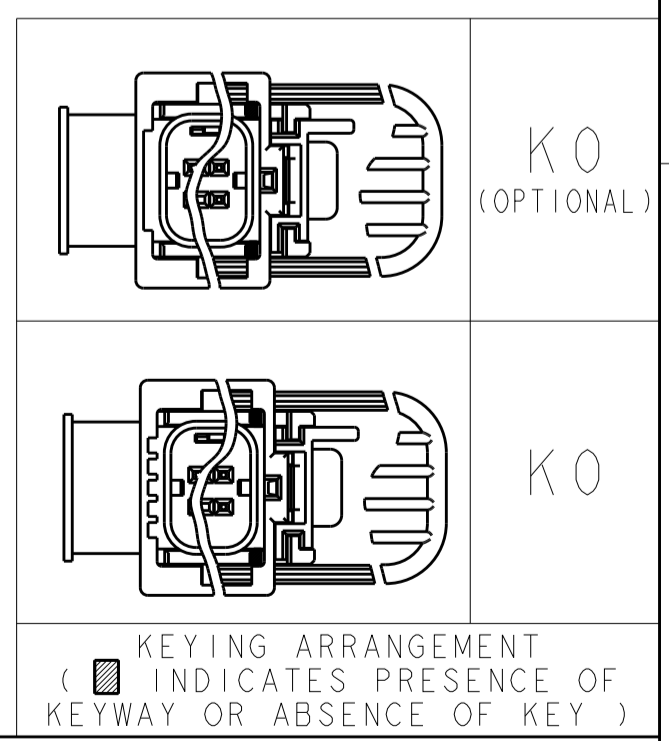
9	BLACK	C3	K0	8-184464-7
	SLIDE COLOR	CIRCUIT ARRANGEMENT (SEE TABLE ON SHEET 4)	KEYING ARRANGEMENT (SEE TABLE ON SHEET 4)	PART NUMBER

NOT INTENDED FOR PRODUCTION USE  
 SERVICE PART

1	2	3	4	5	6	7	8	9	10	11	12	13	14	15	16	17	18	19	20	21	22	23	24	25	26	27	28	29	30	
31	32	33	34	35	36	37	38	39	40	41	42	43	44	45	46	47	48	49	50	51	52	53	54	55	56	57	58	59	60	

C3

CIRCUIT ARRANGEMENT  
 [X] INDICATES UNAVAILABLE (BLOCKED) CIRCUIT



THIS DRAWING IS A CONTROLLED DOCUMENT.

DIMENSIONS: mm	TOLERANCES UNLESS OTHERWISE SPECIFIED:	DWN: J.R. SHUEY 31MAR2000	CHK: V. KANE 31MAR2000	APVD: J.M. MYER 31MAR2000
0 PLC ±	1 PLC ±0.5	PRODUCT SPEC		
2 PLC ±0.20	3 PLC ±	APPLICATION SPEC		
4 PLC ±	ANGLES ±	SIZE: 114-13060	CAGE CODE: A100779	DRAWING NO: C=638595
MATERIAL: SEE CALLOUT	FINISH: SEE CALLOUT	WEIGHT: -	CUSTOMER DRAWING	RESTRICTED TO: -

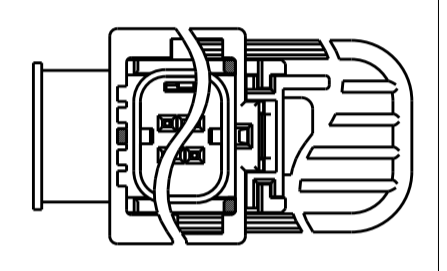
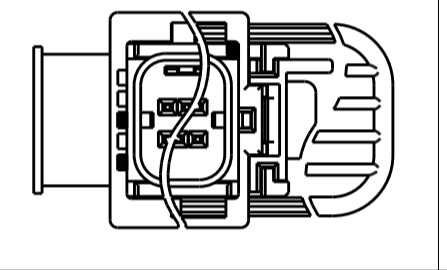
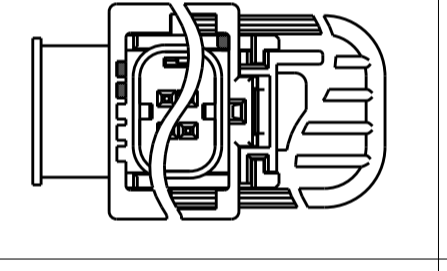
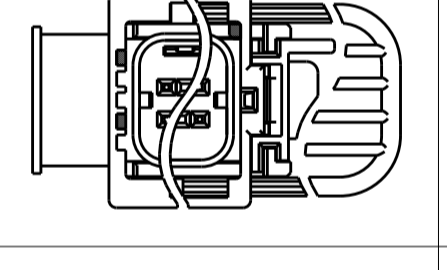
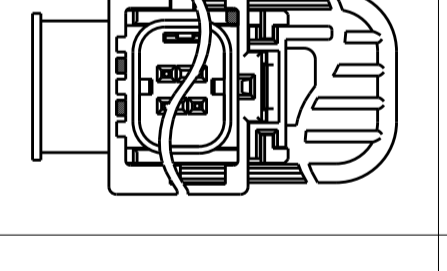
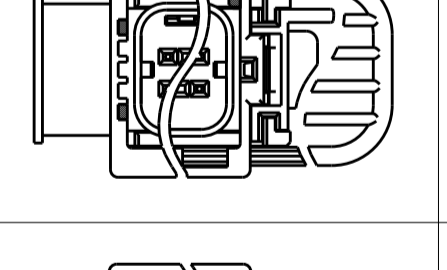
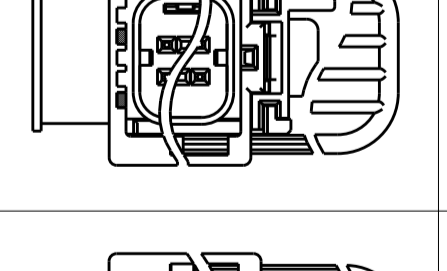
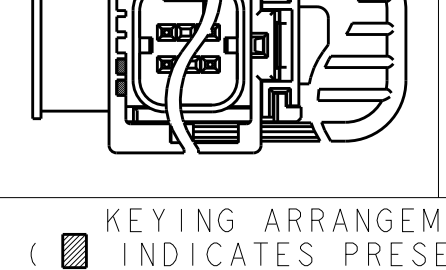
STE TE Connectivity

ASSEMBLY, FEMALE, 60 WAY GET SDM CONNECTOR (SHUNTLESS VERSION)


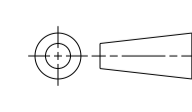
SCALE: 2:1 SHEET 5 OF 10 REV: BA3

THIS DRAWING IS UNPUBLISHED. RELEASED FOR PUBLICATION 20  
 © COPYRIGHT 20 BY - ALL RIGHTS RESERVED.

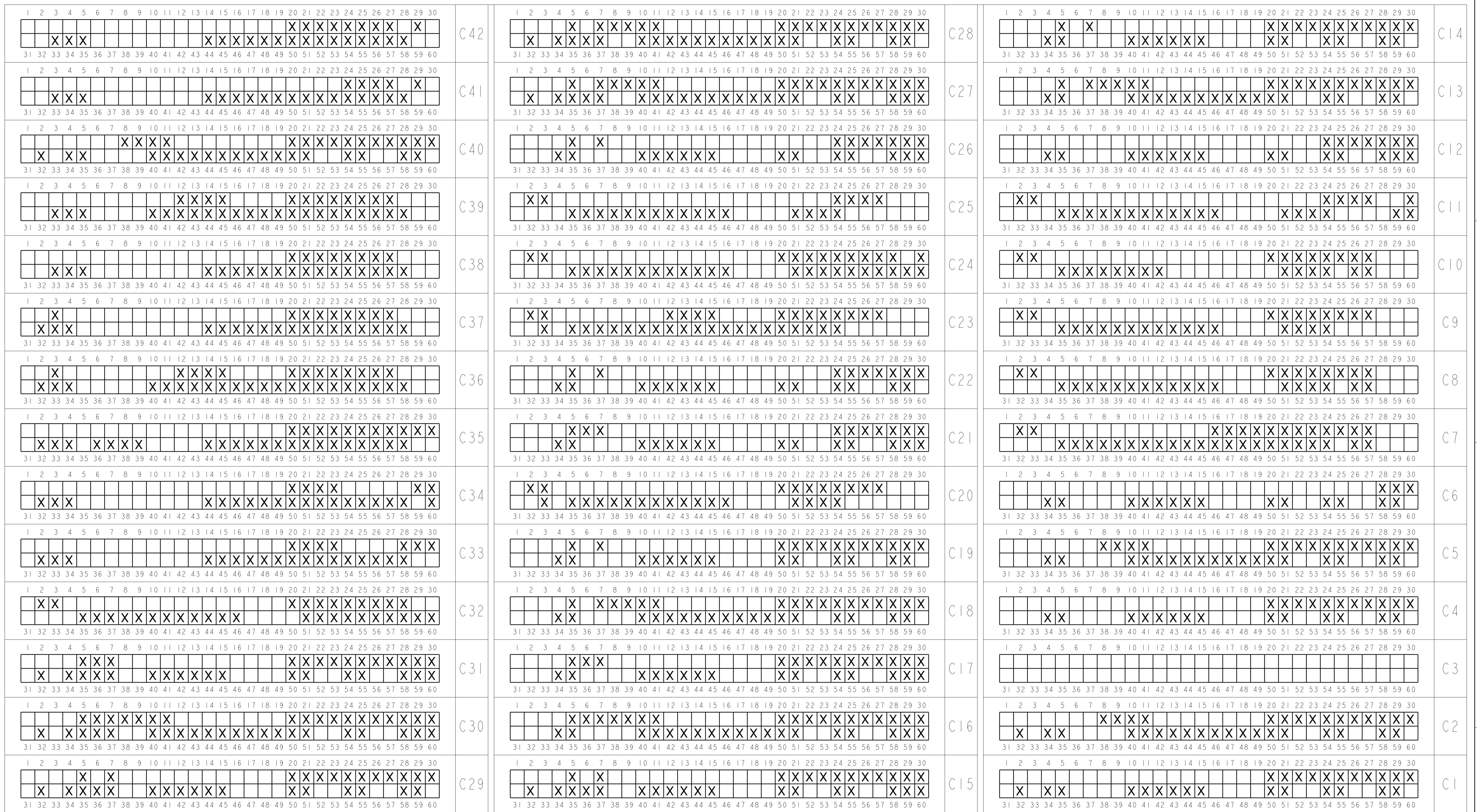
REVISIONS				
P.	LTN	DESCRIPTION	DATE	OWN APVD
-	-	SEE SHEET 1	-	-

	K 99
	K 7
	K 6
	K 5
	K 4
	K 3
	K 2
	K 1

KEYING ARRANGEMENT  
 (  INDICATES PRESENCE OF  
 KEYWAY OR ABSENCE OF KEY )

THIS DRAWING IS A CONTROLLED DOCUMENT.		DWN J. R. SHUEY 31MAR2000	 TE Connectivity
		CHK V. KANE 31MAR2000	
DIMENSIONS:		APVD J. M. MYER 31MAR2000	NAME
mm	TOLERANCES UNLESS OTHERWISE SPECIFIED:	PRODUCT SPEC	ASSEMBLY, FEMALE, 60 WAY GET SDM CONNECTOR (SHUNTLESS VERSION)
	0 PLC ± 1 PLC ±0.5 2 PLC ±0.20 3 PLC ± 4 PLC ± ANGLES ± FINISH ±	APPLICATION SPEC	SIZE CAGE CODE DRAWING NO
MATERIAL	FINISH	WEIGHT	A 100779 C=638595
SEE CALLOUT	SEE CALLOUT	CUSTOMER DRAWING	RESTRICTED TO
		SCALE 2:1	SHEET 6 OF 10

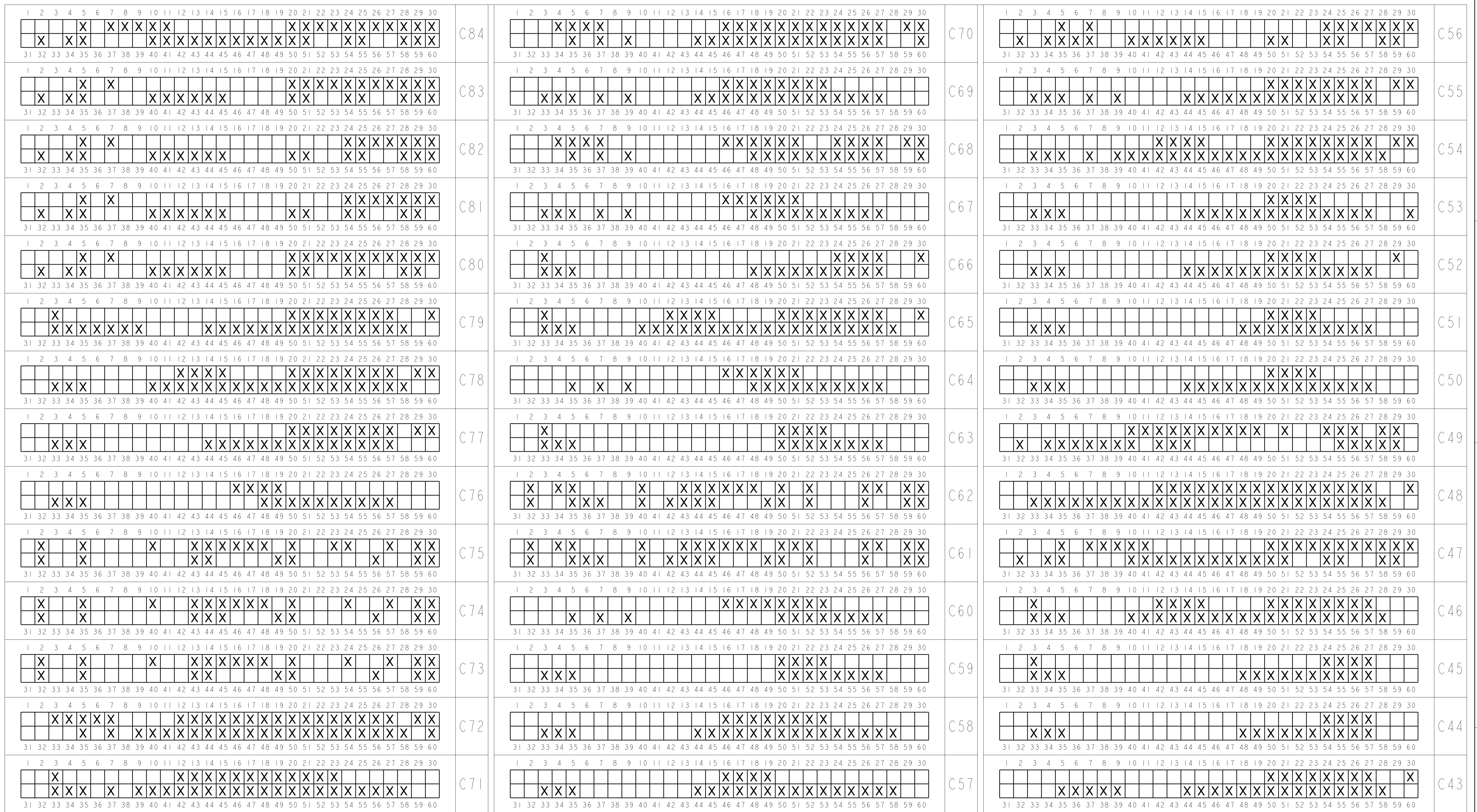
REVISIONS				
P.	LTN	DESCRIPTION	DATE	OWN APVD
-	-	SEE SHEET 1	-	-



CIRCUIT ARRANGEMENT  
 X INDICATES UNAVAILABLE (BLOCKED) CIRCUIT

THIS DRAWING IS A CONTROLLED DOCUMENT.		OWN: J. R. SHUEY 31MAR2000	TE Connectivity ASSEMBLY, FEMALE, 60 WAY GET SDM CONNECTOR (SHUNTLESS VERSION)
DIMENSIONS: mm		CHK: V. KANE 31MAR2000	
TOLERANCES UNLESS OTHERWISE SPECIFIED:		APVD: J. M. MYER 31MAR2000	
0 PLC ± 1 PLC ±0.5 2 PLC ±0.20 3 PLC ± 4 PLC ± ANGLES ± FINISH ±		PRODUCT SPEC	
MATERIAL: SEE CALLOUT		APPLICATION SPEC	SIZE: A1
		WEIGHT: 114-13060	CAGE CODE: 638595
		CUSTOMER DRAWING	RESTRICTED TO: BA3
		SCALE: 2:1	SHEET 7 OF 10

REVISIONS				
P.	LTN	DESCRIPTION	DATE	OWN APVD
-	-	SEE SHEET 1	-	-

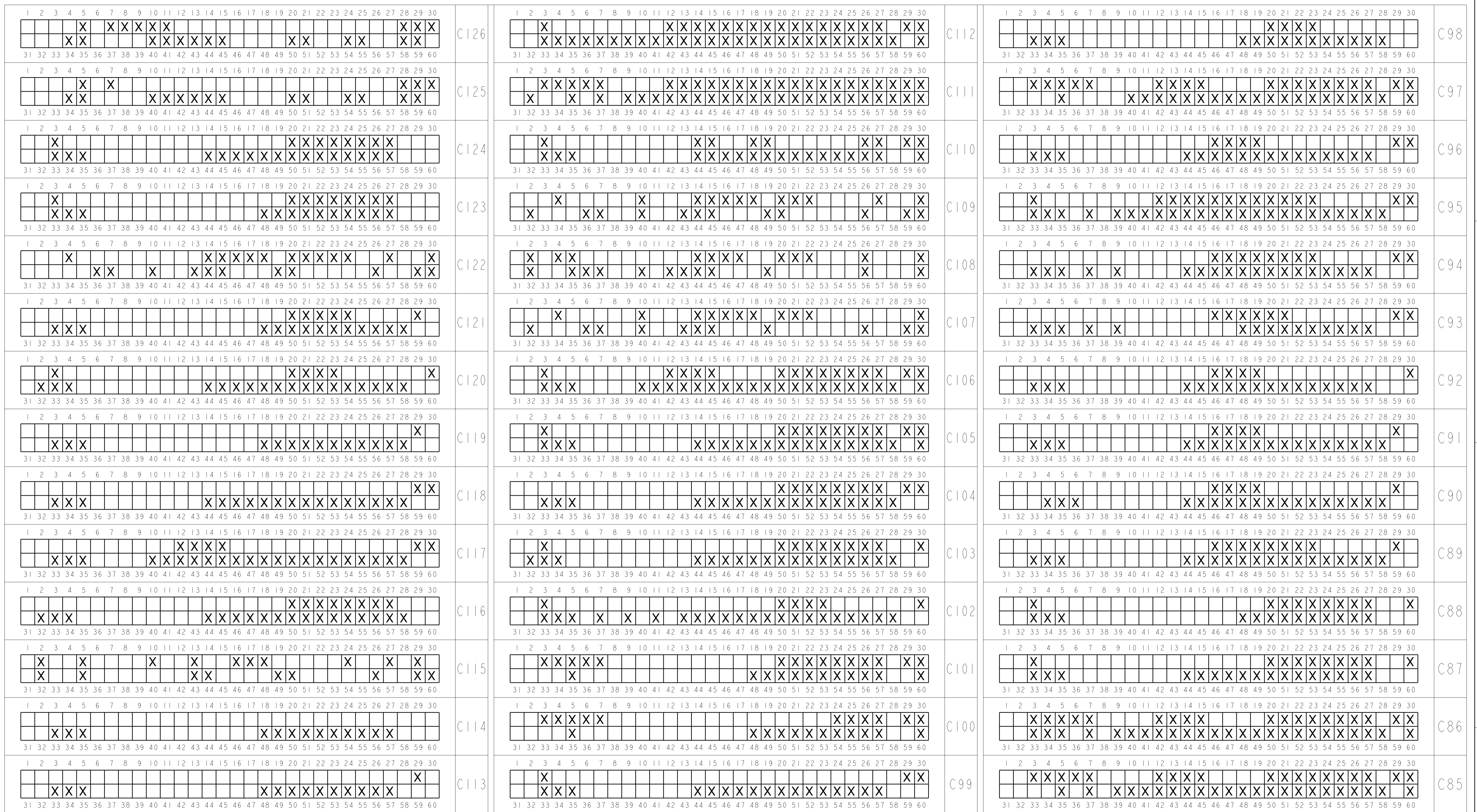


CIRCUIT ARRANGEMENT  
 X INDICATES UNAVAILABLE (BLOCKED) CIRCUIT

THIS DRAWING IS A CONTROLLED DOCUMENT.		OWN: J. R. SHUEY 31MAR2000	TE Connectivity ASSEMBLY, FEMALE, 60 WAY GET SDM CONNECTOR (SHUNTLESS VERSION)
DIMENSIONS: mm		CHK: V. KANE 31MAR2000	
TOLERANCES UNLESS OTHERWISE SPECIFIED:		APVD: J. M. MYER 31MAR2000	
0 PLC ± 1 PLC ±0.5 2 PLC ±0.20 3 PLC ± 4 PLC ± ANGLES ± FINISH ±		PRODUCT SPEC	
MATERIAL: SEE CALLOUT		APPLICATION SPEC	SIZE: A1
		WEIGHT: 114-13060	CAGE CODE: 638595
		CUSTOMER DRAWING	SCALE: 2:1 SHEET 8 OF 10



REVISIONS				
P.	LTN	DESCRIPTION	DATE	OWN APVD
-	-	SEE SHEET 1	-	-



CIRCUIT ARRANGEMENT  
 X INDICATES UNAVAILABLE (BLOCKED) CIRCUIT

THIS DRAWING IS A CONTROLLED DOCUMENT.		OWN J. R. SHUEY 31MAR2000	TE Connectivity														
DIMENSIONS: mm		CHK V. KANE 31MAR2000															
TOLERANCES UNLESS OTHERWISE SPECIFIED:		APVD J. M. MYER 31MAR2000	NAME ASSEMBLY, FEMALE, 60 WAY GET SDM CONNECTOR (SHUNTLESS VERSION)														
<table border="1"> <tr> <td>0 PLC</td> <td>±</td> </tr> <tr> <td>1 PLC</td> <td>±0.5</td> </tr> <tr> <td>2 PLC</td> <td>±0.20</td> </tr> <tr> <td>3 PLC</td> <td>±</td> </tr> <tr> <td>4 PLC</td> <td>±</td> </tr> <tr> <td>ANGLES</td> <td>±</td> </tr> <tr> <td>FINISH</td> <td>±</td> </tr> </table>		0 PLC	±	1 PLC	±0.5	2 PLC	±0.20	3 PLC	±	4 PLC	±	ANGLES	±	FINISH	±	PRODUCT SPEC	SIZE A100779
0 PLC	±																
1 PLC	±0.5																
2 PLC	±0.20																
3 PLC	±																
4 PLC	±																
ANGLES	±																
FINISH	±																
MATERIAL SEE CALLOUT		APPLICATION SPEC 114-13060	RESTRICTED TO REVISION BA3														
WEIGHT		CUSTOMER DRAWING	SCALE 2:1														
CAGE CODE DRAWING NO. C=638595		SHEET 9	OF 10														



Компания «Океан Электроники» предлагает заключение долгосрочных отношений при поставках импортных электронных компонентов на взаимовыгодных условиях!

Наши преимущества:

- Поставка оригинальных импортных электронных компонентов напрямую с производств Америки, Европы и Азии, а так же с крупнейших складов мира;
- Широкая линейка поставок активных и пассивных импортных электронных компонентов (более 30 млн. наименований);
- Поставка сложных, дефицитных, либо снятых с производства позиций;
- Оперативные сроки поставки под заказ (от 5 рабочих дней);
- Экспресс доставка в любую точку России;
- Помощь Конструкторского Отдела и консультации квалифицированных инженеров;
- Техническая поддержка проекта, помощь в подборе аналогов, поставка прототипов;
- Поставка электронных компонентов под контролем ВП;
- Система менеджмента качества сертифицирована по Международному стандарту ISO 9001;
- При необходимости вся продукция военного и аэрокосмического назначения проходит испытания и сертификацию в лаборатории (по согласованию с заказчиком);
- Поставка специализированных компонентов военного и аэрокосмического уровня качества (Xilinx, Altera, Analog Devices, Intersil, Interpoint, Microsemi, Actel, Aeroflex, Peregrine, VPT, Syfer, Eurofarad, Texas Instruments, MS Kennedy, Miteq, Cobham, E2V, MA-COM, Hittite, Mini-Circuits, General Dynamics и др.);

Компания «Океан Электроники» является официальным дистрибьютором и эксклюзивным представителем в России одного из крупнейших производителей разъемов военного и аэрокосмического назначения «JONHON», а так же официальным дистрибьютором и эксклюзивным представителем в России производителя высокотехнологичных и надежных решений для передачи СВЧ сигналов «FORSTAR».



## JONHON

«JONHON» (основан в 1970 г.)

Разъемы специального, военного и аэрокосмического назначения:

(Применяются в военной, авиационной, аэрокосмической, морской, железнодорожной, горно- и нефтедобывающей отраслях промышленности)

«FORSTAR» (основан в 1998 г.)

ВЧ соединители, коаксиальные кабели, кабельные сборки и микроволновые компоненты:

(Применяются в телекоммуникациях гражданского и специального назначения, в средствах связи, РЛС, а так же военной, авиационной и аэрокосмической отраслях промышленности).



Телефон: 8 (812) 309-75-97 (многоканальный)

Факс: 8 (812) 320-03-32

Электронная почта: [ocean@oceanchips.ru](mailto:ocean@oceanchips.ru)

Web: <http://oceanchips.ru/>

Адрес: 198099, г. Санкт-Петербург, ул. Калинина, д. 2, корп. 4, лит. А