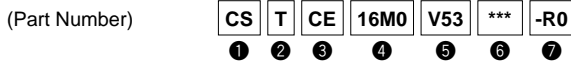


● Part Numbering

CERALOCK® (MHz)



① Product ID

| Product ID |                    |
|------------|--------------------|
| <b>CS</b>  | Ceramic Resonators |

② Frequency/Capacitance

| Code     | Frequency/Capacitance       |
|----------|-----------------------------|
| <b>A</b> | MHz No capacitance built-in |
| <b>T</b> | MHz Built-in Capacitance    |

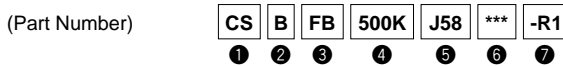
③ Structure/Size

| Code            | Structure/Size             |
|-----------------|----------------------------|
| <b>LS</b>       | Round Lead Type            |
| <b>CC</b>       | Cap Chip Type              |
| <b>CR/CE/CG</b> | Small-cap Chip Type        |
| <b>CV</b>       | Monolithic Chip Type       |
| <b>CW</b>       | Small Monolithic Chip Type |

④ Nominal Center Frequency

Expressed by four-digit alphanumerics. The unit is in hertz (Hz).  
Decimal point is expressed by capital letter "M".

CERALOCK® (kHz)



① Product ID

| Product ID |                    |
|------------|--------------------|
| <b>CS</b>  | Ceramic Resonators |

② Frequency/Capacitance

| Code     | Frequency/Capacitance       |
|----------|-----------------------------|
| <b>B</b> | kHz No capacitance built-in |

③ Structure/Size

| Code      | Structure/Size         |
|-----------|------------------------|
| <b>LA</b> | Two-Terminal Lead Type |
| <b>FB</b> | SMD Type               |

④ Nominal Center Frequency

Expressed by four-digit alphanumerics. The unit is in hertz (Hz).  
Capital letter "K" following three figures expresses the unit of "kHz".  
In case of 1.0MHz (1000kHz) or above, expressed by three figures and capital letter "M" for decimal point.

⑤ Design

| Code          | Design                                 |
|---------------|--|
| <b>G</b> □□   | Thickness Shear mode                   |
| <b>T/V</b> □□ | Thickness Expander mode                |
| <b>X</b> □□   | Thickness Expander mode (3rd overtone) |

□□ indicates initial frequency tolerance and load capacity.

⑥ Individual Specification

| Code | Individual Specification                                      |
|------|---|
| ***  | Three-digit alphanumerics express "Individual Specification". |

With standard products, "⑥ Individual Specification" is omitted, and "⑦ Package Specification Code" is carried up.

⑦ Packaging

| Code       | Packaging                          |
|------------|------------------------------------|
| <b>-B0</b> | Bulk                               |
| <b>-A0</b> | Radial Taping H <sub>0</sub> =18mm |
| <b>-R0</b> | Plastic Taping ø=180mm             |
| <b>-R1</b> | Plastic Taping ø=330mm             |

Radial taping is applied to lead type and plastic taping to chip type.

⑤ Design

| Code        | Design                            |
|-------------|-----------------------------------|
| <b>E</b> □□ | Area Expansion mode               |
| <b>J</b> □□ | Area Expansion mode (Closed Type) |

□□ indicates initial frequency tolerance and load capacitance.

⑥ Individual Specification

| Code | Individual Specification                                      |
|------|---|
| ***  | Three-digit alphanumerics express "Individual Specification". |

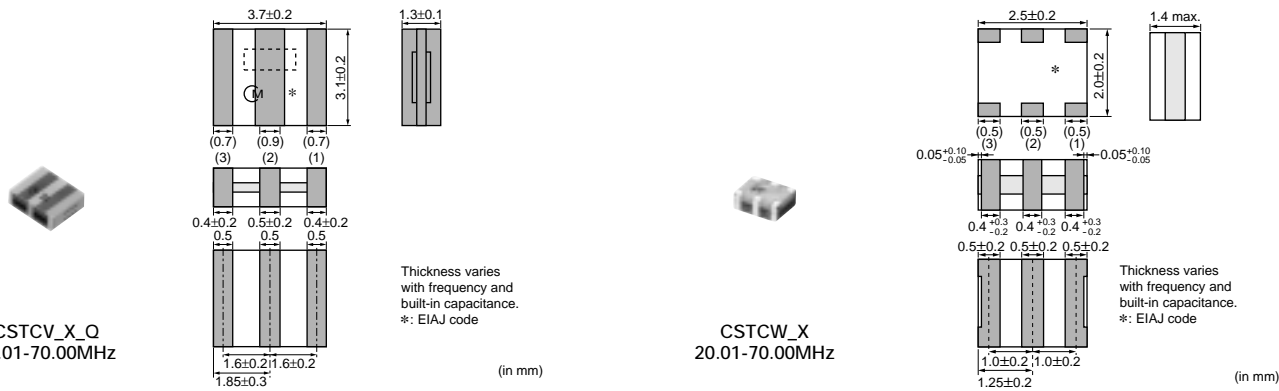
With standard products, "⑥ Individual Specification" is omitted, and "⑦ Package Specification Code" is carried up.

⑦ Packaging

| Code       | Packaging              |
|------------|------------------------|
| <b>-B0</b> | Bulk                   |
| <b>-R1</b> | Plastic Taping ø=330mm |



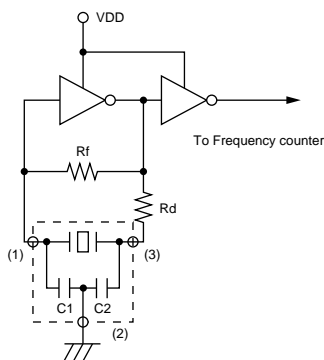
Continued from the preceding page.



| Part Number      | Oscillating Frequency (MHz) | Initial Tolerance (%) | Temp. Stability (%)   | Temperature Range (°C) | Use                        |
|------------------|-----------------------------|-----------------------|---|------------------------|----------------------------|
| <b>CSTCC_G</b>   | 2.00 to 3.99                | ±0.5                  | ±0.3<br>[±0.4%:Built-in Capacitance 47pF type within Freq.2.00 to 3.49MHz]          | -20 to +80             | For consumer electronics   |
| <b>CSTCC_G_A</b> | 2.00 to 3.99                | ±0.5                  | ±0.4<br>[-0.6% to +0.3%:Built-in Capacitance 47pF type within Freq.2.00 to 3.49MHz] | -40 to +125            | For automotive electronics |
| <b>CSTCR_G</b>   | 4.00 to 7.99                | ±0.5                  | ±0.2  | -20 to +80             | For consumer electronics   |
| <b>CSTCR_G_B</b> | 4.00 to 7.99                | ±0.5                  | ±0.15   | -40 to +125            | For automotive electronics |
| <b>CSTCE_G</b>   | 8.00 to 12.50               | ±0.5                  | ±0.2  | -20 to +80             | For consumer electronics   |
| <b>CSTCE_G_A</b> | 8.00 to 12.50               | ±0.5                  | ±0.2  | -40 to +125            | For automotive electronics |
| <b>CSTCE_V</b>   | 12.51 to 20.00              | ±0.5                  | ±0.3  | -20 to +80             | For consumer electronics   |
| <b>CSTCE_V_A</b> | 12.51 to 20.00              | ±0.5                  | ±0.3  | -40 to +125            | For automotive electronics |
| <b>CSTCG_V</b>   | 20.00 to 33.86              | ±0.5                  | ±0.3  | -20 to +80             | For consumer electronics   |
| <b>CSTCV_X_Q</b> | 20.01 to 70.00              | ±0.5                  | ±0.3  | -40 to +125            | For automotive electronics |
| <b>CSTCW_X</b>   | 20.01 to 70.00              | ±0.5                  | ±0.2  | -20 to +80             | For consumer electronics   |

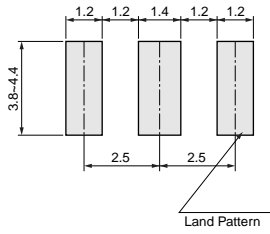
Irregular or stop oscillation may occur under unmatched circuit conditions. Please check the actual conditions prior to use.

### ■ Oscillation Frequency Measuring Circuit



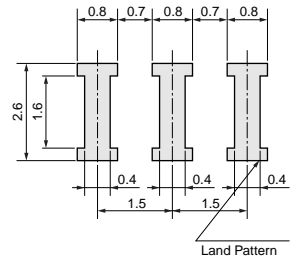
■ Standard Land Pattern Dimensions

CSTCC\_G(A)



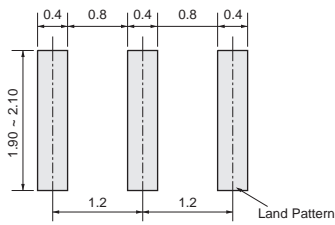
(in mm)

CSTCR\_G(B)



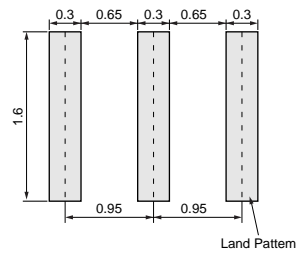
(in mm)

CSTCE\_G(A)



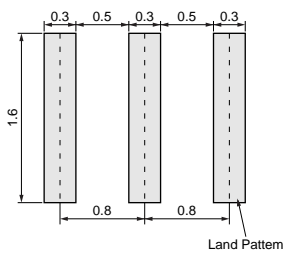
(in mm)

CSTCE\_V(A)



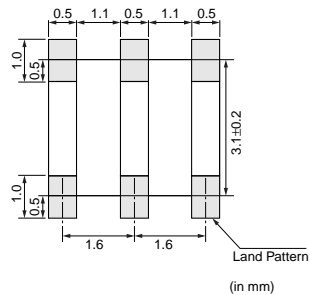
(in mm)

CSTCG\_V



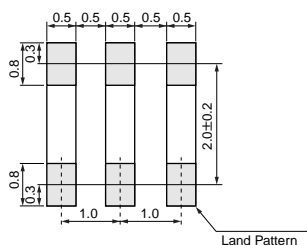
(in mm)

CSTCV\_X\_Q



(in mm)

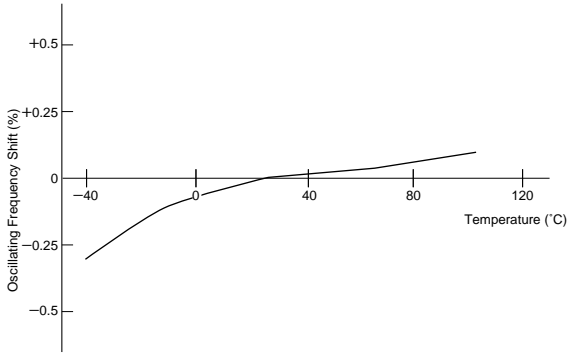
CSTCW\_X



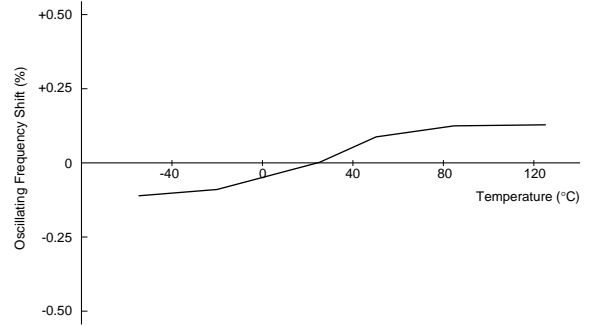
(in mm)

■ Oscillation Frequency Temperature Stability

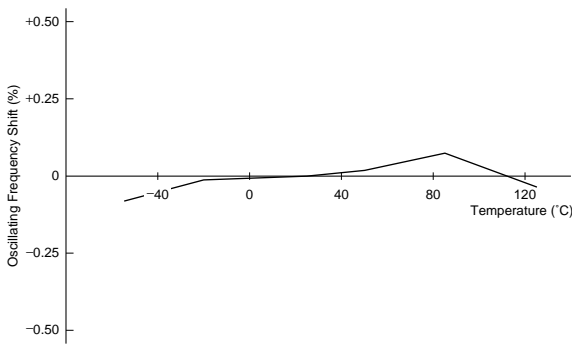
CSTCC\_G



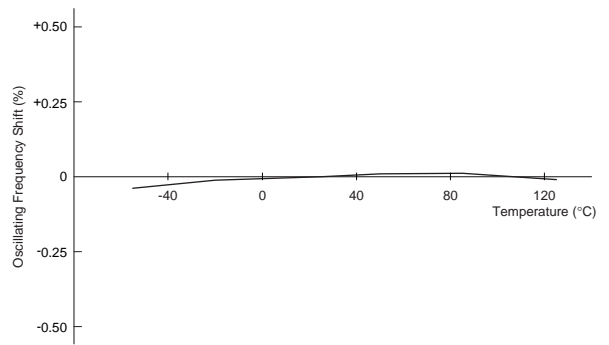
CSTCC\_G\_A



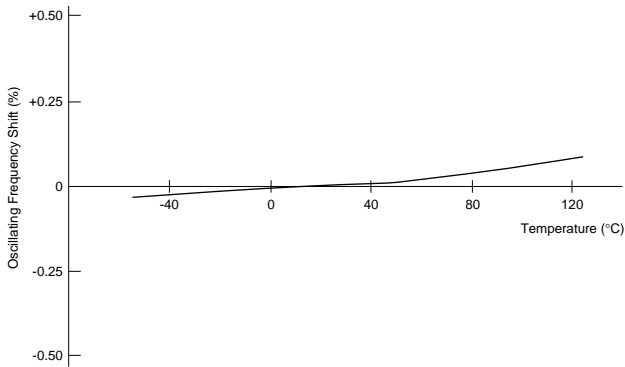
CSTCR\_G(B)



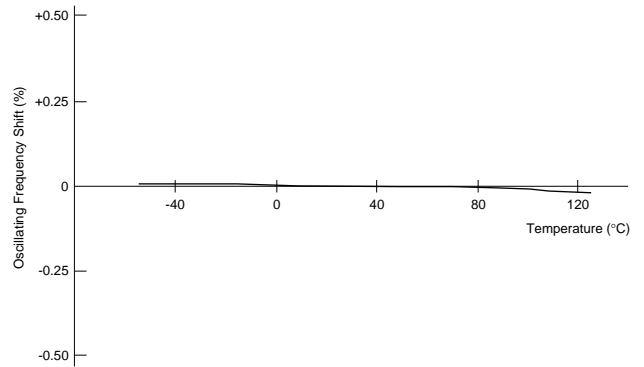
CSTCE\_G(A)



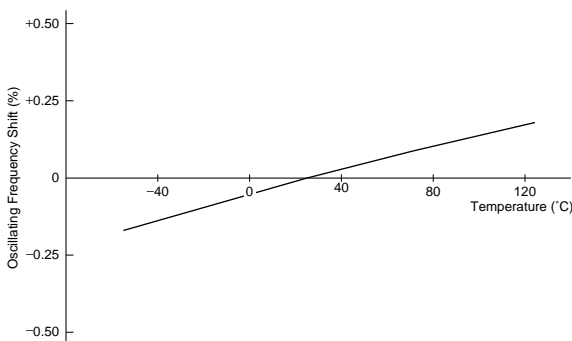
CSTCE\_V(A)



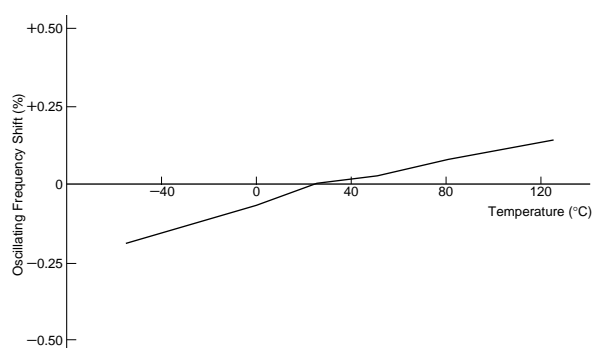
CSTCG\_V



CSTCV\_X(Q)



CSTCW\_X



# Ceramic Resonators (CERALOCK®)



## Chip Type Two Terminals CSACV/W Series

A wide range of chip "CERALOCK" is now available. This diverse series owes its development to MURATA's package technology expertise and original mass production techniques. It enables high-density mounting and further miniaturization of electronic equipment.

### ■ Features

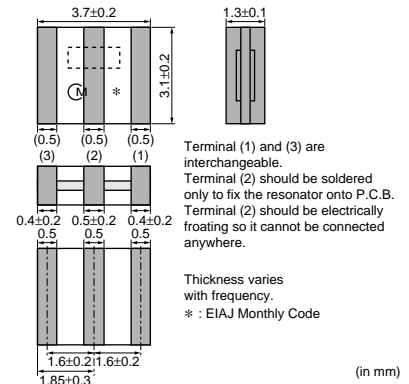
1. The series is available in a wide frequency range.
2. The resonators are extremely small and have a low profile (CSACW series).
3. No adjustment is necessary for oscillation circuits.

### ■ Applications

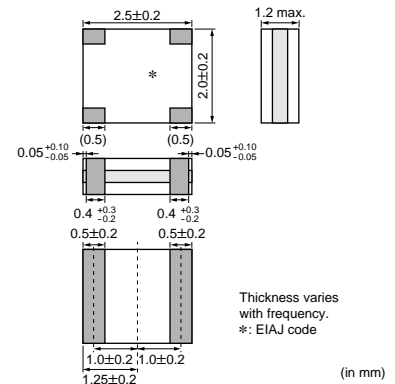
1. Clock oscillators for microprocessors
2. Electronic control circuits for small electronic equipment
3. Automotive electronics (CSACV\_X\_Q series)



CSACV\_X\_Q  
20.01-70.00MHz



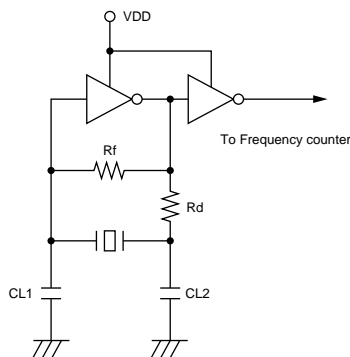
CSACW\_X  
20.01-70.00MHz



| Part Number | Oscillating Frequency (MHz) | Initial Tolerance (%) | Temp. Stability (%) | Temperature Range (°C) | Use                        |
|-------------|-----------------------------|-----------------------|---------------------|------------------------|----------------------------|
| CSACV_X_Q   | 20.01 to 70.00              | ±0.5                  | ±0.3                | -40 to +125            | For automotive electronics |
| CSACW_X     | 20.01 to 70.00              | ±0.5                  | ±0.2                | -20 to +80             | For consumer electronics   |

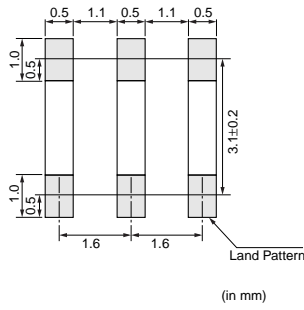
Irregular or stop oscillation may occur under unmatched circuit conditions. Please check the actual conditions prior to use.

### ■ Oscillation Frequency Measuring Circuit

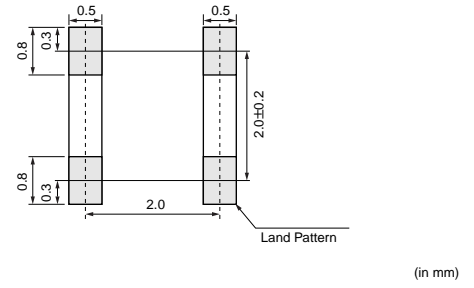


## Standard Land Pattern Dimensions

CSACV\_X\_Q



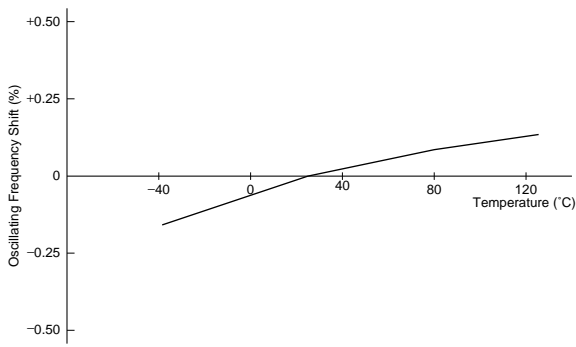
CSACW\_X



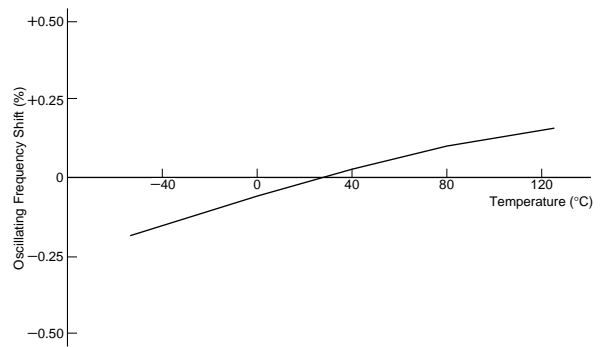
2

## Oscillation Frequency Temperature Stability

CSACV\_X\_Q



CSACW\_X



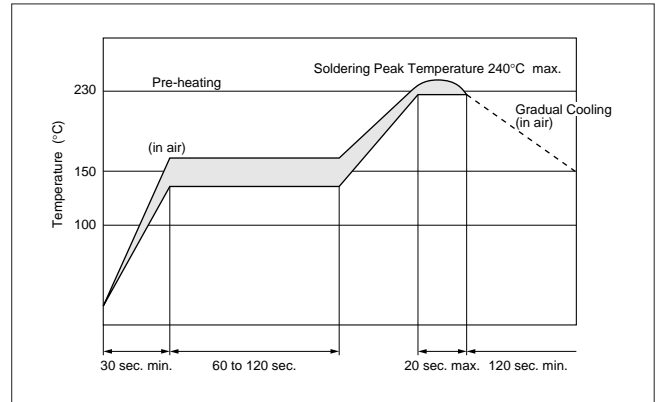
## MHz Chip Type Notice (Soldering and Mounting)

### 1. Soldering Conditions

#### (1) Reflow

One heat stress, shown in the profile at right, is applied to resonator; then, after being placed in natural conditions for 1 hour, the resonator is measured.

1. Pre-heating conditions should be +140 to +160°C for 60 to 120 seconds. Ascending time up to +150°C should be longer than 30 seconds.
2. Heating conditions should be within 20 seconds at +230°C min., but peak temperature should be lower than +240°C.



#### (2) Soldering Iron

Soldering iron of +270±5°C should be placed 0.5mm above electrode of resonator. Melting solder through soldering iron should be applied to electrode for 3±1 seconds; then, after being placed in natural conditions for 24 hour, the resonator should be measured.

### 2. Wash

Some series do not withstand washing.  
Please check the list at right before use.

#### (1) Cleaning Solvents

HCFC, Isopropanol, Tap water, Demineralized water, Cleanthrough750H, Pine alpha 100S, Techno care FRW

#### (2) Temperature Difference : dT \*1

$dT \leq 60^\circ\text{C}$  (dT=Component-solvent)

\*1 ex. In case the component at +90°C immerses into cleaning solvent at +60°C, then  $dT=30^\circ\text{C}$ .

| Series                               | Wash          |
|--------------------------------------|---------------|
| <b>CSTCC (Except 2.00 - 3.49MHz)</b> | Available     |
| <b>CSTCV</b>                         | Available     |
| <b>CSACV</b>                         | Available     |
| <b>CSTCR</b>                         | Not Available |
| <b>CSTCC (Only 2.00 - 3.49MHz)</b>   | Not Available |
| <b>CSTCW</b>                         | Not Available |
| <b>CSACW</b>                         | Not Available |
| <b>CSTCE</b>                         | Not Available |
| <b>CSTCG</b>                         | Not Available |

\*All automotive types are available.

#### (3) Conditions

##### 1. Ultrasonic Wash

1 minute max. in above solvent at +60°C max.  
(Frequency : 28kHz, Output : 20W/L)

##### 2. Immersion Wash

5 minutes max. in above solvent at +60°C max.

##### 3. Shower or Rinse Wash

5 minutes max. in above solvent at +60°C max.

#### (4) Drying

5 minutes max. by air blow at +80°C max.

#### (5) Others

1. Total washing time should be within 10 minutes.
2. Please insure the component is thoroughly evaluated in your application circuit.
3. The component may be damaged if it is washed with chlorine, petroleum, or alkali cleaning solvent.



## MHz Chip Type Notice

### ■ Notice (Storage and Operating Conditions)

#### CSTCC\_G

Please do not apply excess mechanical stress to the component and terminals during soldering.

The component is recommended for use with placement machines which employ optical placement capabilities.

The component might be damaged by excessive mechanical force. Please make sure to evaluate by using placement machines before going into mass production. Do not use placement machines which utilize mechanical positioning. Please contact Murata for details beforehand.

#### 1. CSTCC\_G (2.00MHz-3.49MHz)

Conformal coating or washing of the component is not acceptable because it is not hermetically sealed.

#### 2. CSTCC\_G (3.50MHz-10.0MHz)

Conformal coating of the component is acceptable. However, the resin material, curing temperature, and other process conditions should be evaluated to confirm that stable electrical characteristics are maintained.

### ■ Notice (Storage and Operating Conditions)

#### CSTCR\_G/CSTCE\_G/CSTCE\_V/CSTCG\_V

Please do not apply excess mechanical stress to the component and terminals during soldering.

Conformal coating or washing of the component is not acceptable because it is not hermetically sealed.

The component is recommended for use with placement machines which employ optical placement capabilities.

The component might be damaged by excessive mechanical force. Please make sure to evaluate by using placement machines before going into mass production. Do not use placement machines which utilize mechanical positioning. Please contact Murata for details beforehand.

### ■ Notice (Storage and Operating Conditions)

#### CSTCC\_G\_A/CSTCR\_G\_B/CSTCE\_G\_A/CSTCE\_V\_A

Please do not apply excess mechanical stress to the component and terminals during soldering.

Conformal coating of the component is acceptable.

However, the resin material, curing temperature, and other process conditions should be evaluated to confirm that stable electrical characteristics are maintained.

The component is recommended for use with placement machines which employ optical placement capabilities.

The component might be damaged by excessive mechanical force. Please make sure to evaluate by using placement machines before going into mass production. Do not use placement machines which utilize mechanical positioning. Please contact Murata for details beforehand.

### ■ Notice (Storage and Operating Conditions)

#### CSTCV\_X\_Q/CSACV\_X\_Q

Please do not apply excess mechanical stress to the component and terminals during soldering.

Conformal coating of the component is acceptable.

However, the resin material, curing temperature, and other process conditions should be evaluated to confirm that stable electrical characteristics are maintained.

The component is recommended for use with placement

machines which employ optical placement capabilities.

In some cases, placement machines which utilize mechanical positioning may apply excessive mechanical force which might result in damage to the ceramic resonator. Please contact Murata before mounting this product using placement machines which use mechanical positioning.

## MHz Chip Type Notice

### ■ Notice (Storage and Operating Conditions)

CSTCW\_X/CSACW\_X

Please do not apply excess mechanical stress to the component and terminals during soldering.

Conformal coating or washing of the component is not acceptable because it is not hermetically sealed.

### ■ Notice (Rating)

The component may be damaged if excess mechanical stress is applied.

### ■ Notice (Handling)

"CERALOCK" may stop oscillating or oscillate irregularly under improper circuit conditions.

## MHz Chip Type CSTC Series Packaging

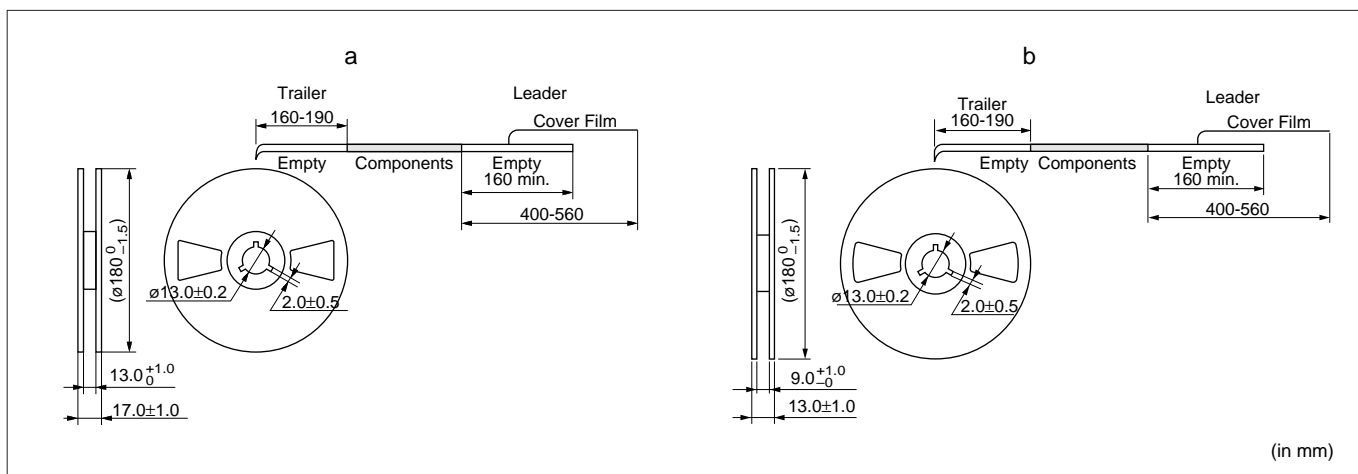
### Minimum Quantity

| Part Number | Plastic Tape ø180mm | Plastic Tape ø330mm | Bulk | Dimensions |
|-------------|---------------------|---------------------|------|------------|
| CSTCC_G     | 2,000               | 6,000               | 500  | a          |
| CSTCC_G_A   | 2,000               | 6,000               | 500  | a          |
| CSTCR_G     | 3,000               | 9,000               | 500  | a          |
| CSTCR_G_B   | 3,000               | 9,000               | 500  | a          |
| CSTCE_G     | 3,000               | 9,000               | 500  | b          |
| CSTCE_G_A   | 3,000               | 9,000               | 500  | b          |
| CSTCE_V     | 3,000               | 9,000               | 500  | b          |
| CSTCE_V_A   | 3,000               | 9,000               | 500  | b          |
| CSTCV_X_Q   | 2,000               | 6,000               | 500  | a          |
| CSTCW_X     | 3,000               | 9,000               | 500  | b          |
| CSTCG_V     | 3,000               | 9,000               | 500  | b          |

The order quantity should be an integral multiple of the "Minimum Quantity" shown above.

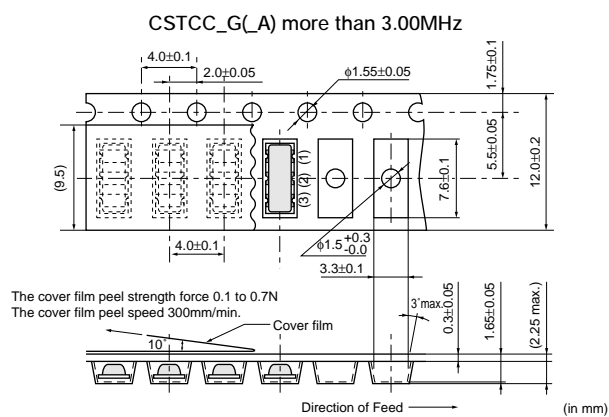
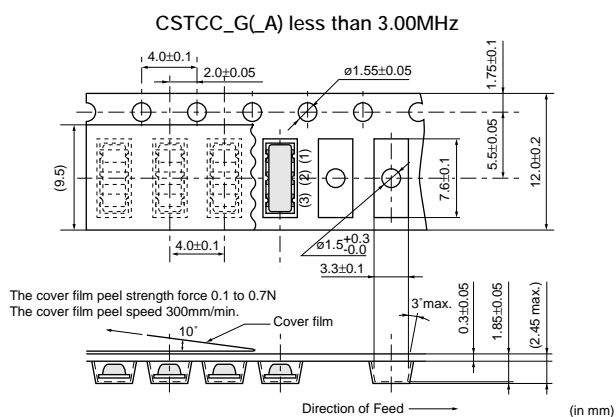
(pcs.)

### Dimensions of Reel



(in mm)

### Dimensions of Taping



Continued on the following page. ↗



# MHz Chip Type CSAC Series Packaging

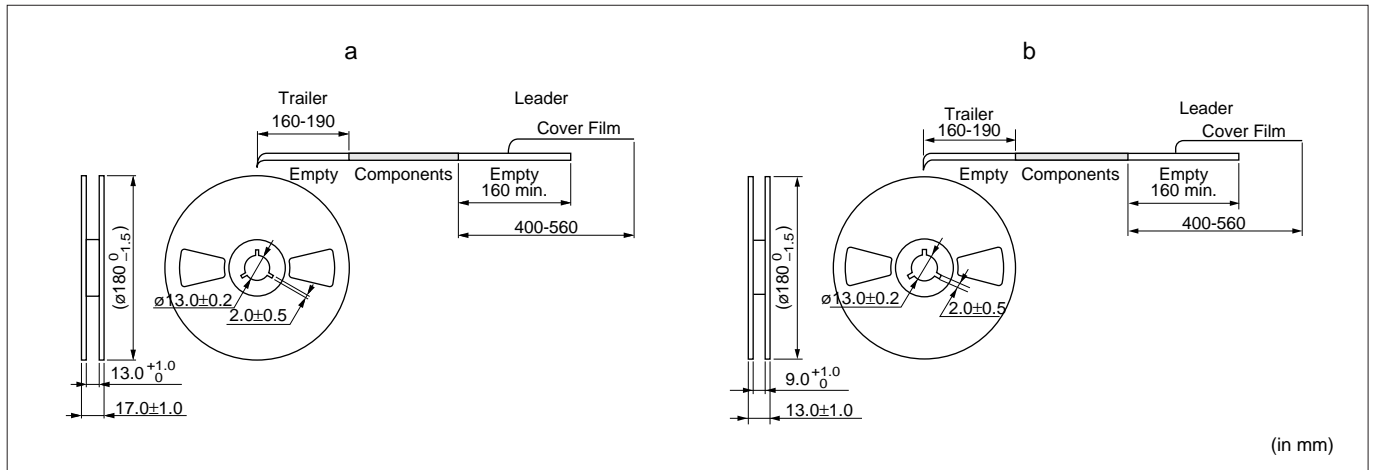
## ■ Minimum Quantity

| Part Number | Plastic Tape ø180mm | Plastic Tape ø330mm | Bulk | Dimensions |
|-------------|---------------------|---------------------|------|------------|
| CSACV_X_Q   | 2,000               | 6,000               | 500  | a          |
| CSACW_X     | 3,000               | 9,000               | 500  | b          |

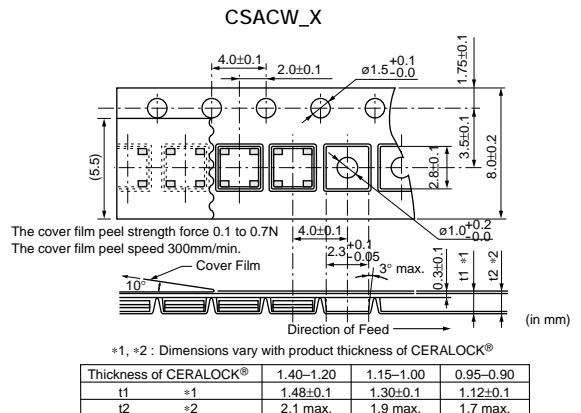
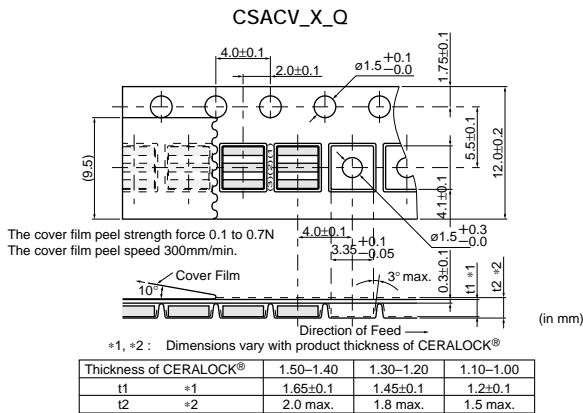
The order quantity should be an integral multiple of the "Minimum Quantity" shown above.

(pcs.)

## ■ Dimensions of Reel



## ■ Dimensions of Taping



# Ceramic Resonators (CERALOCK®)



## Lead Type Three Terminals CSTLS Series

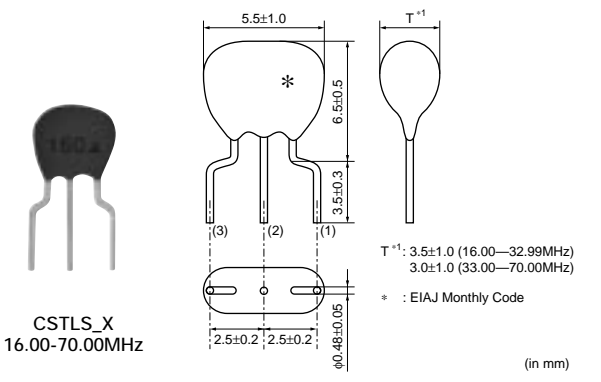
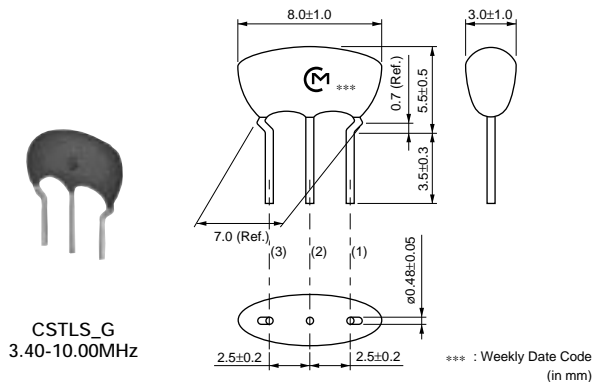
"CERALOCK" with built-in load capacitors.  
MURATA's ceramic resonator, "CERALOCK", has been widely applied as the most suitable component for clock oscillators in a broad range of microprocessors. The CSTLS series can be used in the design of oscillation circuits not requiring external load capacitors, enabling both high-density mounting and cost reduction.

### ■ Features

1. Oscillation circuits do not require external load capacitors.
2. The series is stable over a wide temperature range.
3. The resonators are compact, light weight and exhibit superior shock resistance performance.
4. They enable the design of oscillator circuits requiring no adjustment.
5. The series is inexpensive and available in stable supply.
6. There is some variation in built-in capacitance values applicable to various IC.

### ■ Applications

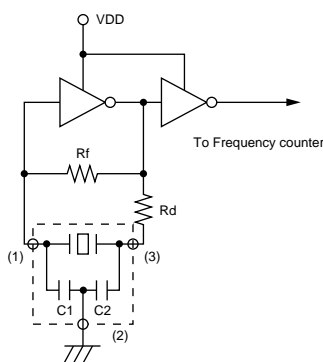
1. DTMF generators
2. Clock oscillators for microcomputers
3. Remote control units
4. Automated office equipment



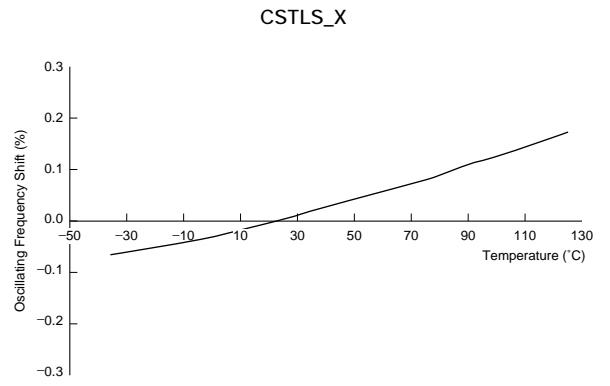
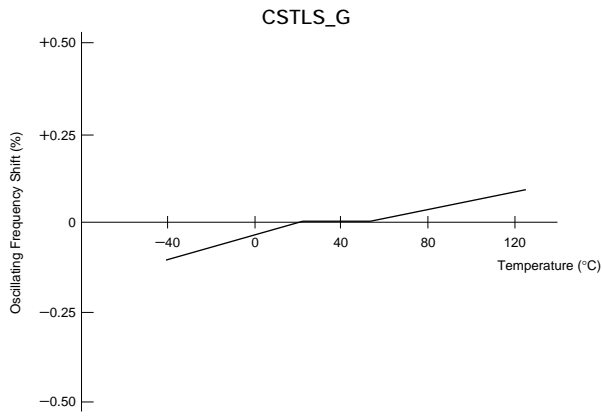
| Part Number | Oscillating Frequency (MHz) | Initial Tolerance (%) | Temp. Stability (%)                                     | Temperature Range (°C) | Use                      |
|-------------|-----------------------------|-----------------------|---|------------------------|--------------------------|
| CSTLS_G     | 3.40 to 10.00               | ±0.5                  | ±0.2<br>[-0.4% to +0.2%:Built-in Capacitance 47pF type] | -20 to +80             | For consumer electronics |
| CSTLS_X     | 16.00 to 70.00              | ±0.5                  | ±0.2  | -20 to +80             | For consumer electronics |

Irregular or stop oscillation may occur under unmatched circuit conditions. Please check the actual conditions prior to use.  
The order quantity should be an integral multiple of the "Minimum Quantity" shown in the packaging page.

### ■ Oscillation Frequency Measuring Circuit



### ■ Oscillation Frequency Temperature Stability



# Ceramic Resonators (CERALOCK®)

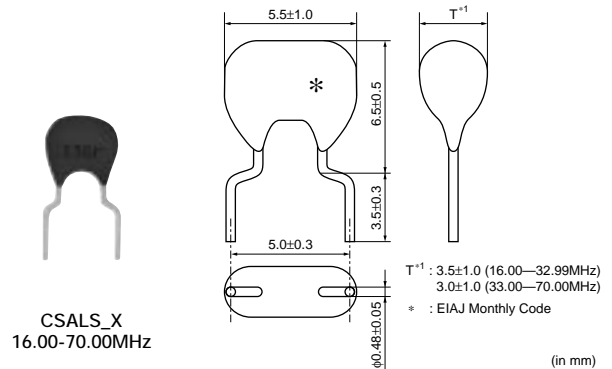


## Lead Type Two Terminals CSALS Series

"CERALOCK" with two leaded terminals.

The CSALS series ceramic resonators owe their development to MURATA's innovative expert technologies and the application of mass production techniques typically utilized in the manufacture of piezoelectric ceramic components. Because of their high mechanical Q and consistent high quality, CSALS series are ideally suited to microprocessor and remote control unit applications.

In addition, MURATA offers a special "CERALOCK" version suitable for automatic insertion utilizing tape and reel and other packaging forms. For further information, please contact your local MURATA representative office or authorized distributor.



### ■ Features

1. The series is stable over a wide temperature range and with respect to long-term aging.
2. The series comprises fixed, tuned, solid-state devices.
3. The resonators are miniature and light weight.
4. They exhibit excellent shock resistance performance.
5. Oscillating circuits requiring no adjustment can be designed by utilizing these resonators in conjunction with transistors or appropriate ICs.

### ■ Applications

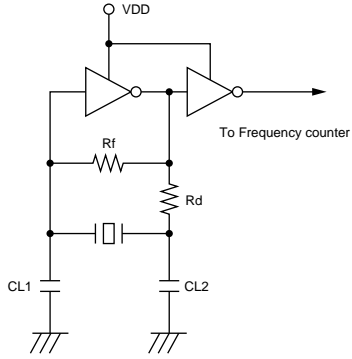
1. Square-wave and sine-wave oscillator
2. Clock generator for microprocessors
3. Remote control systems

| Part Number | Oscillating Frequency (MHz) | Initial Tolerance (%) | Temp. Stability (%) | Temperature Range (°C) | Use                      |
|-------------|-----------------------------|-----------------------|---------------------|------------------------|--------------------------|
| CSALS_X     | 16.00 to 70.00              | ±0.5                  | ±0.2                | -20 to +80             | For consumer electronics |

Irregular or stop oscillation may occur under unmatched circuit conditions. Please check the actual conditions prior to use.  
The order quantity should be an integral multiple of the "Minimum Quantity" shown in the packaging page.

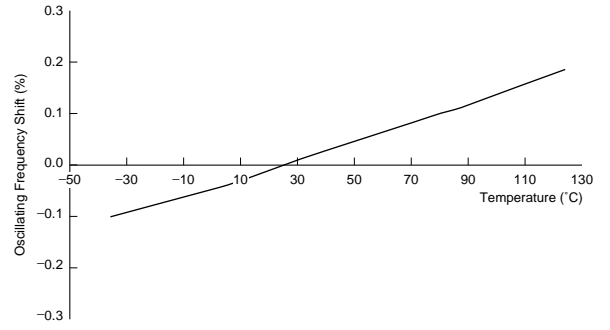


### ■ Oscillation Frequency Measuring Circuit



### ■ Oscillation Frequency Temperature Stability

CSALS\_X



## MHz Lead Type Notice

### ■ Notice (Soldering and Mounting)

The component cannot withstand washing.

### ■ Notice (Storage and Operating Conditions)

Please do not apply excess mechanical stress to the component and lead terminals during soldering. Conformal coating or washing of the component is not acceptable because it is not hermetically sealed.

### ■ Notice (Rating)

The component may be damaged if excess mechanical stress is applied.

### ■ Notice (Handling)

"CERALOCK" may stop oscillating or oscillate irregularly under improper circuit conditions.

## MHz Lead Type CSTLS Series Packaging

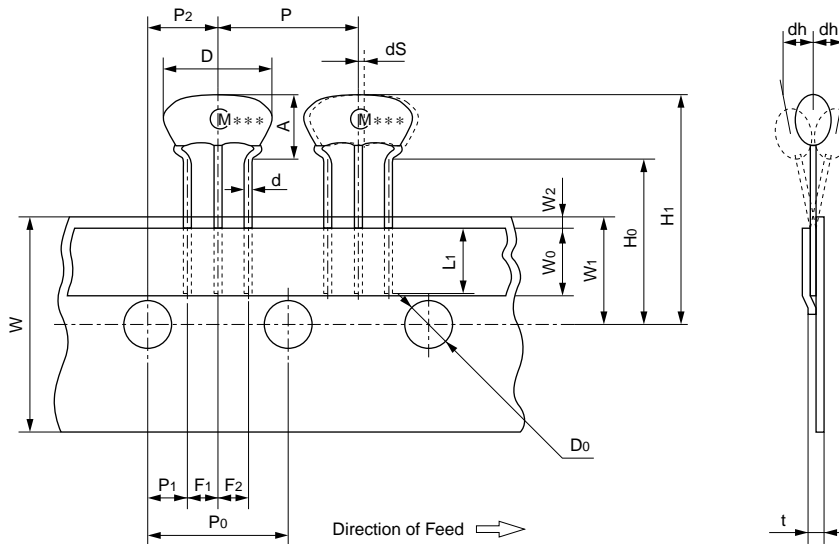
### ■ Minimum Quantity

| Part Number                        | Ammo Pack | Bulk |
|------------------------------------|-----------|------|
| <b>CSTLS_G (3.40 to 10.0MHz)</b>   | 2,000     | 500  |
| <b>CSTLS_X (16.00 to 70.00MHz)</b> | 2,000     | 500  |

The order quantity should be an integral multiple of the "Minimum Quantity" shown above.

(pcs.)

### ■ Tape Dimensions of CSTLS\_G



| Item  | Code | Dimensions | Tolerance  | Remarks  |
|---|------|------------|------------|--|
| Width of diameter   | D    | 8.0        | ±1.0       |  |
| Height of resonator   | A    | 5.5        | ±0.5       |  |
| Dimensions of terminal  | d    | ø0.48      | ±0.05      |  |
| Lead length under the hold down tape                          | L1   | 5.0 min.   | —          |  |
| Pitch of component  | P    | 12.7       | ±0.5       | Tolerance for Pitches 10xP0=127±1                |
| Pitch of sprocket hole  | P0   | 12.7       | ±0.2       |  |
| Length from sprocket hole center to lead                      | P1   | 3.85       | ±0.5       |  |
| Length from sprocket hole center to component center          | P2   | 6.35       | ±0.5       |  |
| Lead spacing (I)  | F1   | 2.5        | ±0.2       |  |
| Lead spacing (II)   | F2   | 2.5        | ±0.2       |  |
| Slant forward or backward                                     | dh   | 0          | ±1.0       | 1mm max.   |
| Width of carrier tape   | W    | 18.0       | ±0.5       |  |
| Width of hold down tape                                       | W0   | 6.0 min.   | —          | Hold down tape does not exceed the carrier tape. |
| Position of sprocket hole                                     | W1   | 9.0        | ±0.5       |  |
| Gap of hold down tape and carrier tape                        | W2   | 0          | +0.5<br>-0 |  |
| Distance between the center of sprocket hole and lead stopper | H0   | 18.0       | ±0.5       |  |
| Total height of resonator                                     | H1   | 23.5       | ±1.0       |  |
| Diameter of sprocket hole                                     | D0   | ø4.0       | ±0.2       |  |
| Total tape thickness  | t    | 0.6        | ±0.2       |  |
| Body tilt   | dS   | 0          | ±1.0       |  |

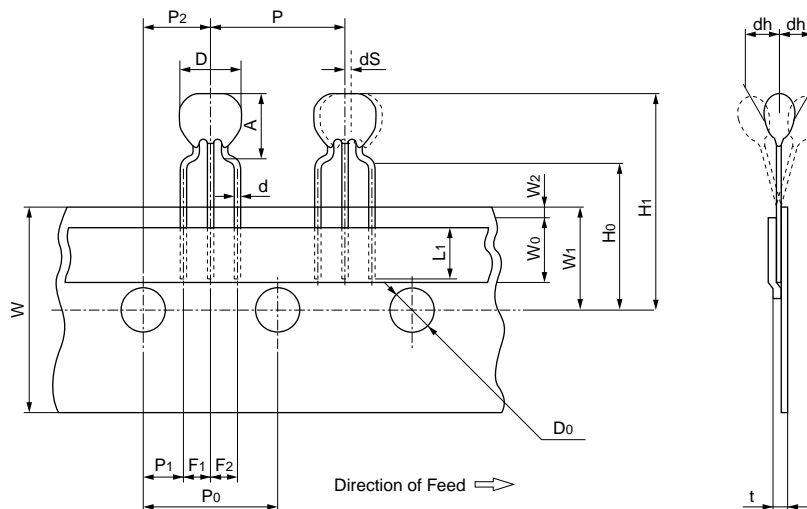
(in mm)

Continued on the following page.

## MHz Lead Type CSTLS Series Packaging

Continued from the preceding page.

### ■ Tape Dimensions of CSTLS\_X



| Item  | Code           | Dimensions | Tolerance    | Remarks   |
|---|----------------|------------|--------------|---|
| Width of diameter   | D              | 5.5        | ±1.0         |   |
| Height of resonator   | A              | 6.5        | ±0.5         |   |
| Dimensions of terminal  | d              | ø0.48      | ±0.05        |   |
| Lead length under the hold down tape                          | L <sub>1</sub> | 5.0 min.   | —            |   |
| Pitch of component  | P              | 12.7       | ±0.5         | Tolerance for Pitches 10xP <sub>0</sub> =127±1  |
| Pitch of sprocket hole  | P <sub>0</sub> | 12.7       | ±0.2         |   |
| Length from sprocket hole center to lead                      | P <sub>1</sub> | 3.85       | ±0.5         |   |
| Length from sprocket hole center to component center          | P <sub>2</sub> | 6.35       | ±0.5         |   |
| Lead spacing (I)  | F <sub>1</sub> | 2.5        | ±0.2         |   |
| Lead spacing (II)   | F <sub>2</sub> | 2.5        | ±0.2         |   |
| Slant forward or backward                                     | dh             | 0          | ±1.0         | 1mm max.  |
| Width of carrier tape   | W              | 18.0       | ±0.5         |   |
| Width of hold down tape                                       | W <sub>0</sub> | 6.0 min.   | —            | Hold down tape doesn't exceed the carrier tape. |
| Position of sprocket hole                                     | W <sub>1</sub> | 9.0        | ±0.5         |   |
| Gap of hold down tape and carrier tape                        | W <sub>2</sub> | 0          | +0.5<br>-0.0 |   |
| Distance between the center of sprocket hole and lead stopper | H <sub>0</sub> | 18.0       | ±0.5         |   |
| Total height of resonator                                     | H <sub>1</sub> | 24.5       | ±0.1         |   |
| Diameter of sprocket hole                                     | D <sub>0</sub> | ø4.0       | ±0.2         |   |
| Total tape thickness  | t              | 0.6        | ±0.2         |   |
| Body tilt   | dS             | 0          | ±1.0         |   |

(in mm)

## MHz Lead Type CSALS Series Packaging

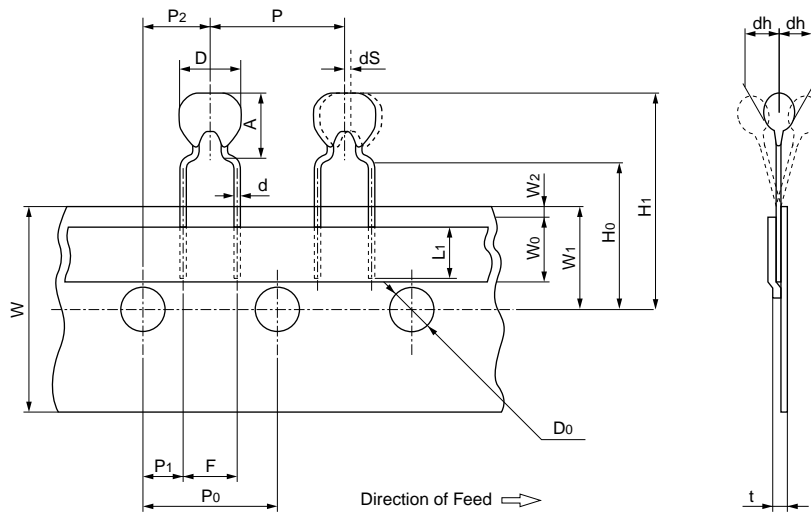
### ■ Minimum Quantity

| Part Number                 | Ammo Pack | Bulk |
|-----------------------------|-----------|------|
| CSALS_X (16.00 to 70.00MHz) | 2,000     | 500  |

The order quantity should be an integral multiple of the "Minimum Quantity" shown above.

(pcs.)

### ■ Tape Dimensions of CSALS



| Item  | Code | Dimensions  | Tolerance                                | Remarks   |
|---|------|-------------|--|---|
| Width of diameter   | D    | 5.5         | $\pm 1.0$                                |   |
| Height of resonator   | A    | 6.5         | $\pm 0.5$                                |   |
| Dimensions of terminal  | d    | $\phi 0.48$ | $\pm 0.05$                               |   |
| Lead length under the hold down tape                          | L1   | 5.0 min.    | —  |   |
| Pitch of component  | P    | 12.7        | $\pm 0.5$                                | Tolerance for Pitches $10 \times P_0 = 127 \pm 1$ |
| Pitch of sprocket hole  | P0   | 12.7        | $\pm 0.2$                                |   |
| Length from sprocket hole center to lead                      | P1   | 3.85        | $\pm 0.5$                                |   |
| Length from sprocket hole center to component center          | P2   | 6.35        | $\pm 0.5$                                |   |
| Lead spacing  | F    | 5.0         | $\pm 0.3$                                |   |
| Slant forward or backward                                     | dh   | 0           | $\pm 1.0$                                | 1mm max.  |
| Width of carrier tape   | W    | 18.0        | $\pm 0.5$                                |   |
| Width of hold down tape                                       | W0   | 6.0 min.    | —  | Hold down tape doesn't exceed the carrier tape.   |
| Position of sprocket hole                                     | W1   | 9.0         | $\pm 0.5$                                |   |
| Gap of hold down tape and carrier tape                        | W2   | 0           | $\begin{matrix} +0.5 \\ -0 \end{matrix}$ |   |
| Distance between the center of sprocket hole and lead stopper | H0   | 18.0        | $\pm 0.5$                                |   |
| Total height of resonator                                     | H1   | 24.5        | $\pm 1.0$                                |   |
| Diameter of sprocket hole                                     | D0   | $\phi 4.0$  | $\pm 0.2$                                |   |
| Total tape thickness  | t    | 0.6         | $\pm 0.2$                                |   |
| Body tilt   | dS   | 0           | $\pm 1.0$                                |   |

(in mm)

Компания «Океан Электроники» предлагает заключение долгосрочных отношений при поставках импортных электронных компонентов на взаимовыгодных условиях!

Наши преимущества:

- Поставка оригинальных импортных электронных компонентов напрямую с производств Америки, Европы и Азии, а так же с крупнейших складов мира;
- Широкая линейка поставок активных и пассивных импортных электронных компонентов (более 30 млн. наименований);
- Поставка сложных, дефицитных, либо снятых с производства позиций;
- Оперативные сроки поставки под заказ (от 5 рабочих дней);
- Экспресс доставка в любую точку России;
- Помощь Конструкторского Отдела и консультации квалифицированных инженеров;
- Техническая поддержка проекта, помощь в подборе аналогов, поставка прототипов;
- Поставка электронных компонентов под контролем ВП;
- Система менеджмента качества сертифицирована по Международному стандарту ISO 9001;
- При необходимости вся продукция военного и аэрокосмического назначения проходит испытания и сертификацию в лаборатории (по согласованию с заказчиком);
- Поставка специализированных компонентов военного и аэрокосмического уровня качества (Xilinx, Altera, Analog Devices, Intersil, Interpoint, Microsemi, Actel, Aeroflex, Peregrine, VPT, Syfer, Eurofarad, Texas Instruments, MS Kennedy, Miteq, Cobham, E2V, MA-COM, Hittite, Mini-Circuits, General Dynamics и др.);

Компания «Океан Электроники» является официальным дистрибьютором и эксклюзивным представителем в России одного из крупнейших производителей разъемов военного и аэрокосмического назначения «JONHON», а так же официальным дистрибьютором и эксклюзивным представителем в России производителя высокотехнологичных и надежных решений для передачи СВЧ сигналов «FORSTAR».



## JONHON

«JONHON» (основан в 1970 г.)

Разъемы специального, военного и аэрокосмического назначения:

(Применяются в военной, авиационной, аэрокосмической, морской, железнодорожной, горно- и нефтедобывающей отраслях промышленности)

«FORSTAR» (основан в 1998 г.)

ВЧ соединители, коаксиальные кабели, кабельные сборки и микроволновые компоненты:

(Применяются в телекоммуникациях гражданского и специального назначения, в средствах связи, РЛС, а так же военной, авиационной и аэрокосмической отраслях промышленности).



Телефон: 8 (812) 309-75-97 (многоканальный)

Факс: 8 (812) 320-03-32

Электронная почта: [ocean@oceanchips.ru](mailto:ocean@oceanchips.ru)

Web: <http://oceanchips.ru/>

Адрес: 198099, г. Санкт-Петербург, ул. Калинина, д. 2, корп. 4, лит. А