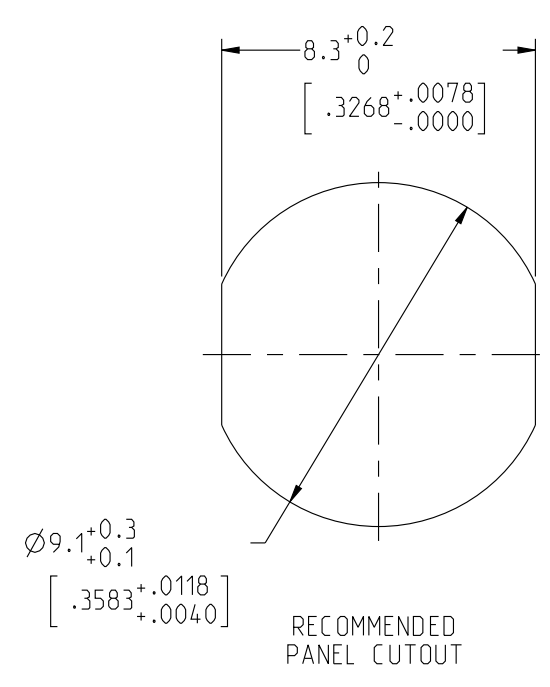
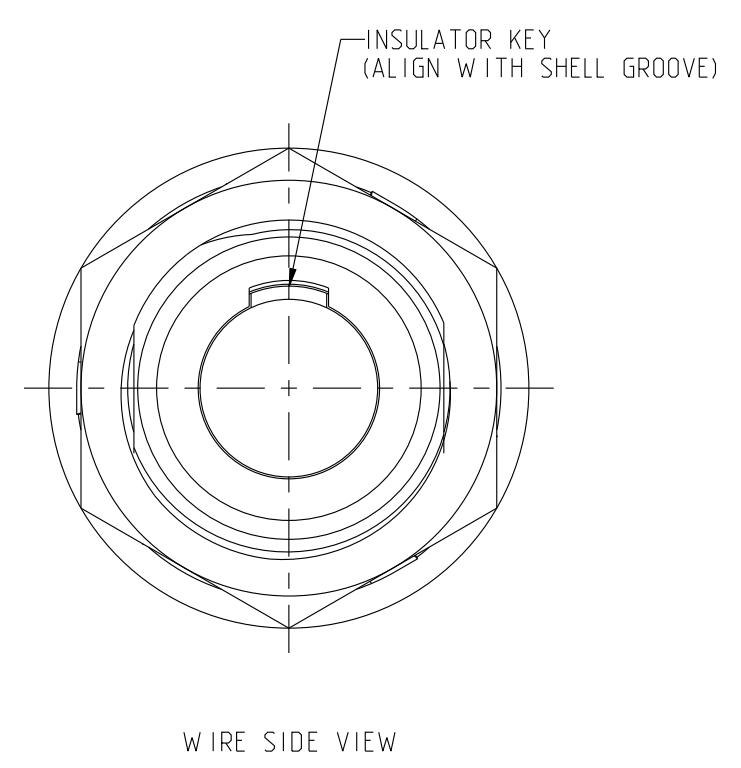
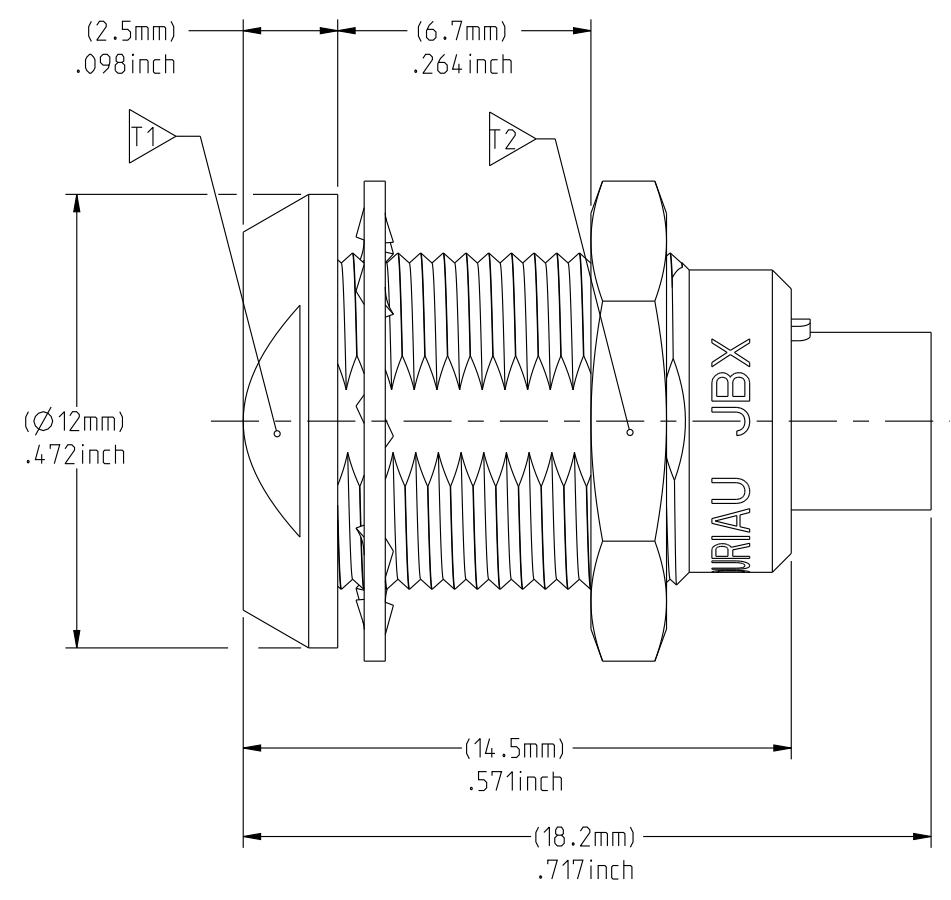
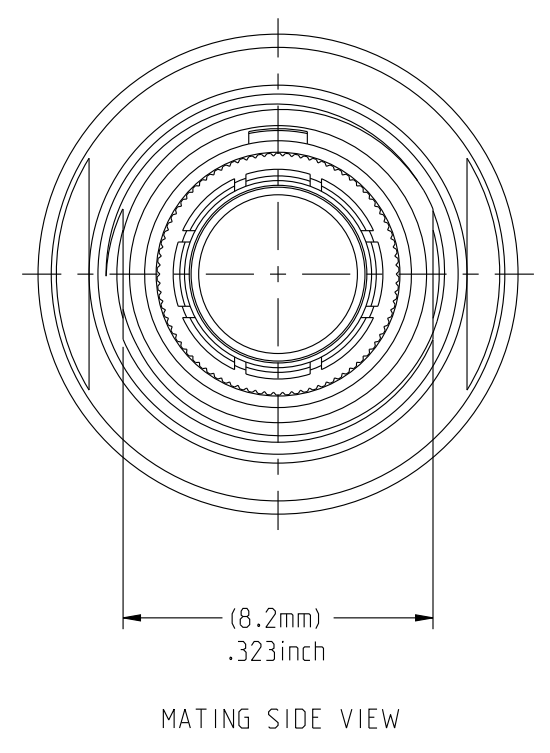


THIS DRAWING IS A CONTROLLED DOCUMENT FOR SOURIAU USA, INC. IT IS SUBJECT TO CHANGE WITHOUT NOTIFICATION. CONTACT THE DOCUMENT CONTROL CENTER FOR THE LATEST REVISION.

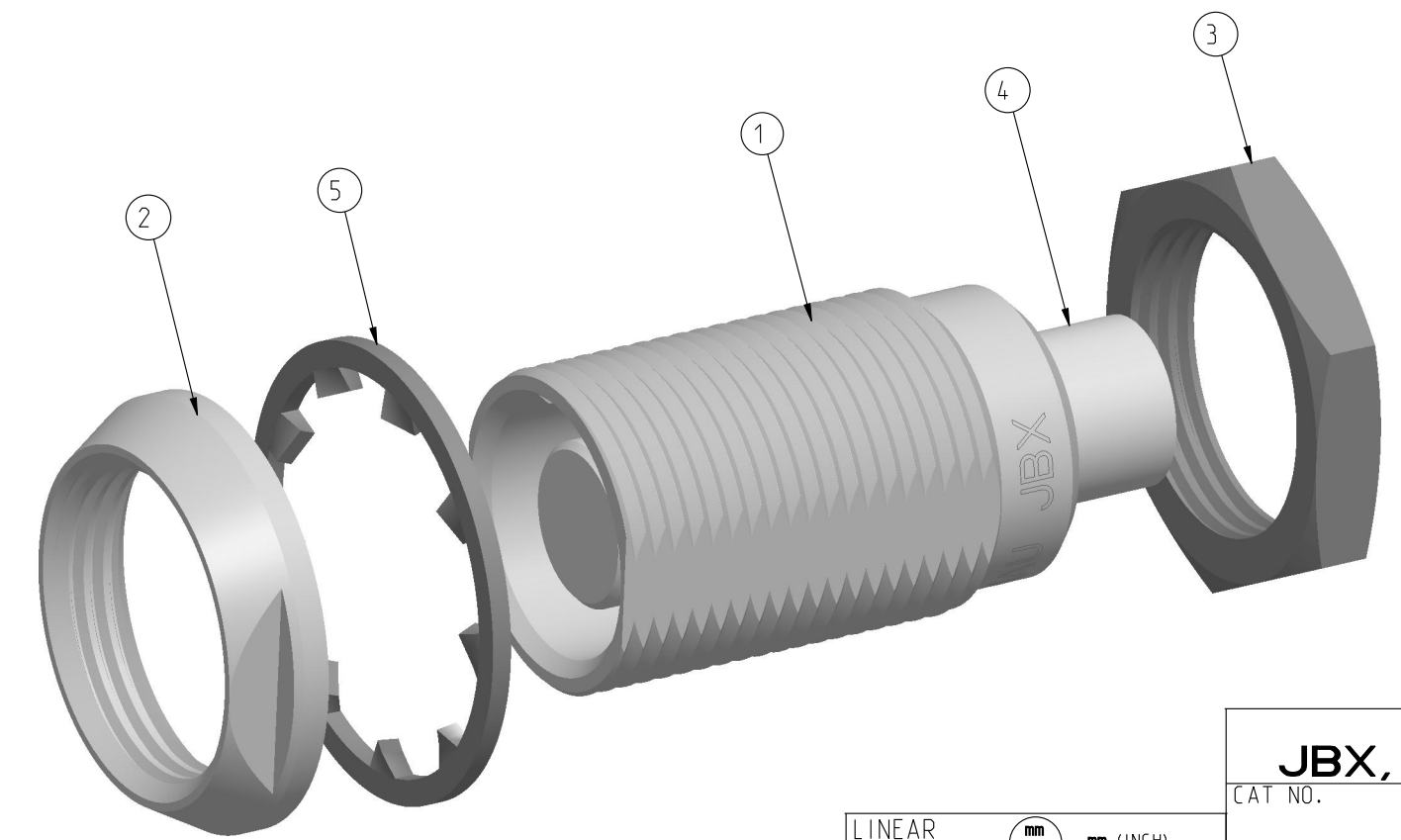
ELECTRICAL:
 EMI SHIELDING : SHIELDED FOR THE RANGE 55dB UP TO 100MHz
 INSULATION RESISTANCE : >500MΩ PER ANSI-EIA-364-D METHOD 21
 MAX. CURRENT RATING : SEE INSULATOR DRAWING
 CONNECTOR TESTING : SEE INSULATOR DRAWING
 CONNECTOR WORKING : SEE INSULATOR DRAWING
ENVIRONMENTAL:
 ENDURANCE: 1000 CYCLES AS PER MIL-STD 1344A, METHOD 2016.1
 SHOCK: 50 g , DURATION 6 ms; AS PER MIL-STD 1344A, METHOD 2004.1
 VIBRATIONS: 10 TO 2000Hz g = 20g, AS PER MIL-STD 1344A, METHOD 2005.1
 PROTECTION INDEX: IP 40 AS PER IEC 529
 ROHS COMPLIANT
 SALT MIST : 48Hr PER SAE AS 1344 METHOD 1001.1 CEI 529
 OPERATING TEMPERATURE: -55°C TO +125°C (-67°F TO +257°F)



NOTES:
MATERIAL:
 OUTER SHELL & PANEL NUT : BRASS
 SHIELD RING & NUT :
FINISH:
 OUTER SHELL & PANEL NUT : CHROME
 OTHER BRASS PARTS : NICKEL
TOOLS



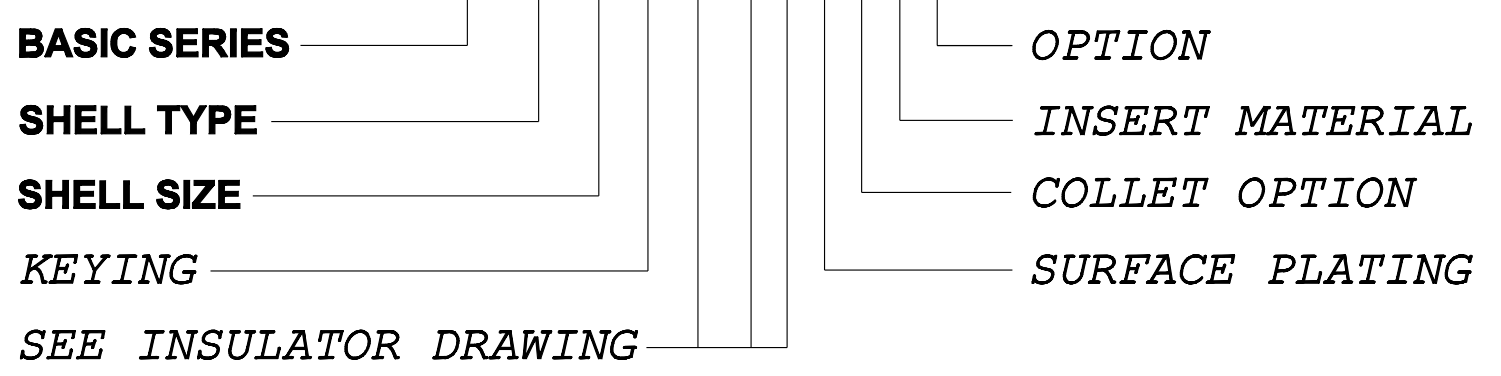
PART LIST	
ITEM NO.	DESCRIPTION
1	SHELL
2	PANEL NUT
3	HEX NUT
4	INSULATOR
5	LOCK WASHER



	TOOLS (JAW DIMENSION)	ADVISED TORQUE IN Nm
T1	10	0.7
T2	11	0.7

CATALOG NUMBER DESCRIPTION

JBX EA 0 XXXXXDX -



ORIGIN	COUNTRY	JURISDICTION	CLASSIFICATION
X	FR	Not listed	N/A
	US	EAR	ECCN =EAR99

These commodities, technology or software are exported from the United States in accordance with the Export Administration Regulations. Diversion contrary to U.S. law is prohibited.

LINEAR MEASURE:	mm (INCH)
THIRD ANGLE PROJECTION	
TOLERANCES UNLESS OTHERWISE SPECIFIED	
No. OF PLACES	mm [INCH]
WHOLE No.	±0.5 [±.02]
ONE PLACE	±0.2 [±.008]
TWO PLACES	±0.1 [±.004]
ANGLES ±1°	

DRAWING TITLE
JBX, SIZE O, DOUBLE NUT RECEPTACLE

CAT NO. **JBXEA0**

CAGE NO: 09922 SIZE: C

CUSTOMER

INTERPRET THIS DRAWING IN ACCORDANCE WITH ASME Y14.5M - 1994.

SOURIAU
 WWW.SOURIAU.COM

APPROVAL	DRAWN: TJS	01-07-15
	CHKD : EV	01-07-15
	DSGN : EV	01-07-15
	MFG : DH	01-07-15
	QC : BB	01-07-15
	DRAWING SCALE: 5:1	
	DRAWING NO.	REV
	JBXEAOC	A

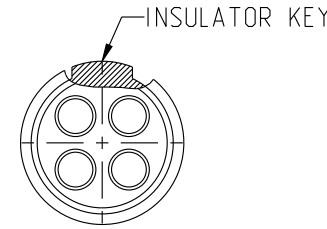
1 OF 1

DWG. NO.
JBX0INSFPC

FEMALE INSULATOR, STRAIGHT PCB CONTACT

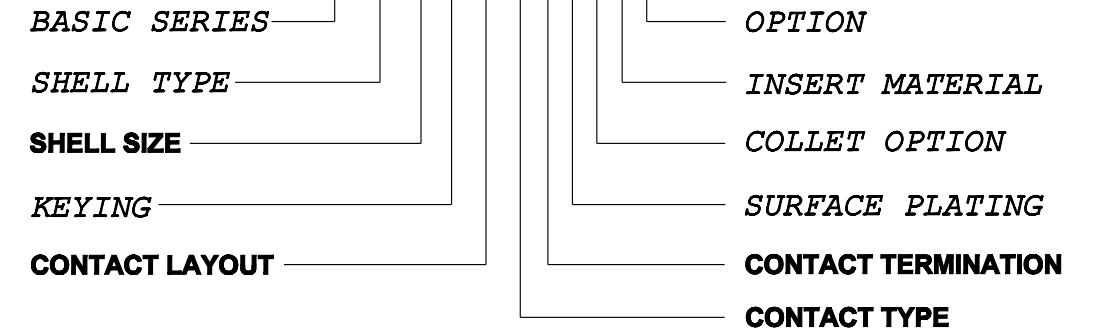
CONTACT LAYOUT	02	03	04	05	
FRONT SIDE VIEW					
REAR SIDE VIEW					
CONTACT					
ISO VIEW					
CONTACT	ØC	0.9	0.9	0.7	0.7
	ØF	0.7	0.7	0.5	0.5
	MAX. AWG	-	-	-	-
	MAX. CURRENT RATING (A)	10	10	7	7
INSULATOR	CONTACT RESISTANCE (mΩ)	3.5	3.5	5	5
	NUMBER OF CAVITY	2	3	4	5
	MAX. CURRENT RATING	10	8	7	6.5
	TEST VOLTAGE (Vrms)	1400	1300	1350	800
WORKING VOLTAGE (Vdc/Vrms)	660/460	600/420	600/460	400/260	

CONTACT TYPE : F (FEMALE)
CONTACT TERMINATION : P (PCB)
MATERIAL :
 CONTACT: CUPRO NICKEL
 INSULATOR: PEEK
FINISH :
 CONTACTS: GOLD



CATALOG NUMBER DESCRIPTION

JBXXX 0 X YY F P XXXX



B	REVISED PER ECN 12286	RSK 06-10-15	EV 06-10-15
A	RELEASED PER ECN 12264	SKV 03-10-15	EV 03-10-15
REV	DESCRIPTION	BY DATE	CHKD DATE

DRAWING TITLE
JBX, SIZE O, FEMALE INSULATOR, PCB CONTACT

CAT NO. **JBX0INSFP**

CAGE NO: 09922 SIZE: B

CUSTOMER	SOURIAU	APPROVAL	DRAWN: SKV	02-02-15
			CHKD : EV	02-02-15
INTERPRET THIS DRAWING IN ACCORDANCE WITH ASME Y14.5M - 1994.	WWW.SOURIAU.COM		DSGN : EV	02-02-15
			MFG : DH	02-02-15
			QC : BB	02-02-15
			DRAWING SCALE: NA	
			DRAWING NO.	REV
			JBX0INSFPC	B
			1 OF 3	

ORIGIN	COUNTRY	JURISDICTION	CLASSIFICATION
X	FR	Not listed	N/A
	US	EAR	ECCN =EAR99

These commodities, technology or software are exported from the United States in accordance with the Export Administration Regulations. Diversion contrary to U.S. law is prohibited

LINEAR MEASURE: $\frac{mm}{INCH}$ mm (INCH)
 THIRD ANGLE PROJECTION

 TOLERANCES UNLESS OTHERWISE SPECIFIED
 No. OF PLACES mm [INCH]
 ONE PLACE ±3 [±.1]
 TWO PLACES ±0.5 [±.02]
 THREE PLACES ±0.25 [±.010]
 ANGLES ±1°

THIS DRAWING IS A CONTROLLED DOCUMENT FOR SOURIAU USA, INC. IT IS SUBJECT TO CHANGE WITHOUT NOTIFICATION. CONTACT THE DOCUMENT CONTROL CENTER FOR THE LATEST REVISION.

THE INFORMATION CONTAINED IN THIS DRAWING IS CONFIDENTIAL AND MAY NOT BE DISCLOSED WITHOUT WRITTEN CONSENT FROM SOURIAU USA, INC.

B

A

DWG. NO.
JBX0INSFPC

CONTACT LAYOUT	06	07	08
FRONT SIDE VIEW			
REAR SIDE VIEW			
CONTACT			
ISO VIEW			

CONTACT	ØC	0.5	0.5	0.5
	ØF	0.5	0.5	0.5
	MAX. AWG	-	-	-
	MAX. CURRENT RATING (A)	5	5	5
CONTACT RESISTANCE (mΩ)		10	10	10
NUMBER OF CAVITY		6	7	8
INSULATOR	MAX. CURRENT RATING	2.5	2.5	2
	TEST VOLTAGE (Vrms)	680	680	680
	WORKING VOLTAGE (Vdc/Vrms)	320/220	320/220	190/130

THIS DRAWING IS A CONTROLLED DOCUMENT FOR SOURIAU USA, INC. IT IS SUBJECT TO CHANGE WITHOUT NOTIFICATION. CONTACT THE DOCUMENT CONTROL CENTER FOR THE LATEST REVISION.

THE INFORMATION CONTAINED IN THIS DRAWING IS CONFIDENTIAL AND MAY NOT BE DISCLOSED WITHOUT WRITTEN CONSENT FROM SOURIAU USA, INC.

B

A

DRAWING TITLE
JBX, SIZE O, FEMALE INSULATOR, PCB CONTACT

CAT NO. **JBX0INSFP**

CAGE NO: 09922 SIZE: B

CUSTOMER	SOURIAU	APPROVAL	DRAWN: SKV 02-02-15
		CHKD : EV 02-02-15	
INTERPRET THIS DRAWING IN ACCORDANCE WITH ASME Y14.5M - 1994.	WWW.SOURIAU.COM	DSGN : EV 02-02-15	
		MFG : DH 02-02-15	
		QC : BB 02-02-15	
		DRAWING SCALE: NA	
		DRAWING NO. JBX0INSFPC	REV B
			2 OF 3

LINEAR MEASURE: $\frac{mm}{INCH}$ mm (INCH)

THIRD ANGLE PROJECTION

TOLERANCES UNLESS OTHERWISE SPECIFIED

No. OF PLACES	mm [INCH]
ONE PLACE	±3 [±.1]
TWO PLACES	±0.5 [±.02]
THREE PLACES	±0.25 [±.010]

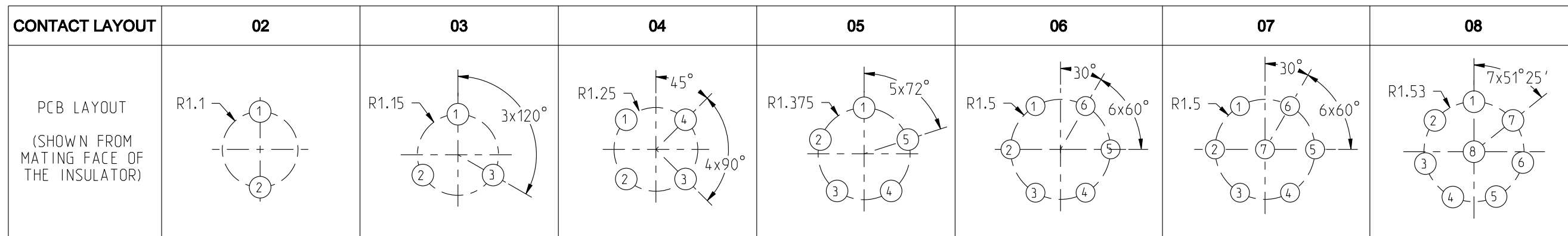
ANGLES ±1°

ORIGIN	COUNTRY	JURISDICTION	CLASSIFICATION
X	FR	Not listed	N/A
	US	EAR	ECCN =EAR99

These commodities, technology or software are exported from the United States in accordance with the Export Administration Regulations. Diversion contrary to U.S. law is prohibited

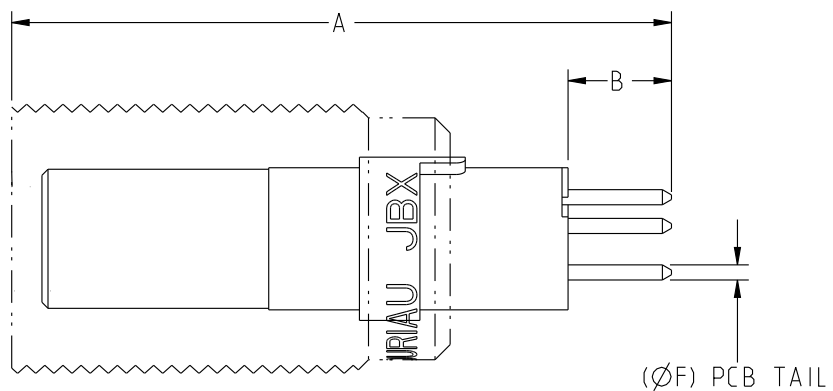
DWG. NO.
JBX0INSFPC

THIS DRAWING IS A CONTROLLED DOCUMENT FOR SOURIAU USA, INC. IT IS SUBJECT TO CHANGE WITHOUT NOTIFICATION. CONTACT THE DOCUMENT CONTROL CENTER FOR THE LATEST REVISION.



1. ALL DIMENSIONS ARE ± 0.05
2. SEE TABLE 1 FOR RECOMMENDED FINISHED PCB HOLE SIZE.

CONTACT PCB TAIL SIZE DIA	FINISHED PCB HOLE SIZE DIA
0.5	0.75
0.7	0.95



SAMPLE ASSEMBLY FOR INFORMATION

LAYOUT	02	03	04	05	06	07	08
A	21.8			21.6			
B	3.4			5.4			

ORIGIN	COUNTRY	JURISDICTION	CLASSIFICATION
X	FR	Not listed	N/A
	US	EAR	ECCN =EAR99

These commodities, technology or software are exported from the United States in accordance with the Export Administration Regulations. Diversion contrary to U.S. law is prohibited

LINEAR MEASURE: $\frac{mm}{INCH}$ mm (INCH)

THIRD ANGLE PROJECTION

TOLERANCES UNLESS OTHERWISE SPECIFIED

No. OF PLACES	mm [INCH]
ONE PLACE	$\pm 3 [\pm .1]$
TWO PLACES	$\pm 0.5 [\pm .02]$
THREE PLACES	$\pm 0.25 [\pm .010]$

ANGLES $\pm 1^\circ$

DRAWING TITLE JBX, SIZE O, FEMALE INSULATOR, PCB CONTACT	
CAT NO. JBX0INSFP	
CAGE NO: 09922	SIZE: B
CUSTOMER	SOURIAU
INTERPRET THIS DRAWING IN ACCORDANCE WITH ASME Y14.5M - 1994.	WWW.SOURIAU.COM
APPROVAL	DRAWN: SKV 02-02-15 CHKD : EV 02-02-15 DSGN : EV 02-02-15 MFG : DH 02-02-15 QC : BB 02-02-15
	DRAWING SCALE: NA
	DRAWING NO. REV
	JBX0INSFPC B
	3 OF 3

THE INFORMATION CONTAINED IN THIS DRAWING IS CONFIDENTIAL AND MAY NOT BE DISCLOSED WITHOUT WRITTEN CONSENT FROM SOURIAU USA, INC.

B

A

Mouser Electronics

Authorized Distributor

Click to View Pricing, Inventory, Delivery & Lifecycle Information:

[Souriau:](#)

[JBXEA0G02FPSDS](#) [JBXEA0G03FPSDS](#) [JBXEA0G04FPNDS](#) [JBXEA0G04FPSDS](#) [JBXEA0G05FPNDS](#)
[JBXEA0G05FPSDS](#) [JBXEA0G07FPSDS](#)

Компания «Океан Электроники» предлагает заключение долгосрочных отношений при поставках импортных электронных компонентов на взаимовыгодных условиях!

Наши преимущества:

- Поставка оригинальных импортных электронных компонентов напрямую с производств Америки, Европы и Азии, а так же с крупнейших складов мира;
- Широкая линейка поставок активных и пассивных импортных электронных компонентов (более 30 млн. наименований);
- Поставка сложных, дефицитных, либо снятых с производства позиций;
- Оперативные сроки поставки под заказ (от 5 рабочих дней);
- Экспресс доставка в любую точку России;
- Помощь Конструкторского Отдела и консультации квалифицированных инженеров;
- Техническая поддержка проекта, помощь в подборе аналогов, поставка прототипов;
- Поставка электронных компонентов под контролем ВП;
- Система менеджмента качества сертифицирована по Международному стандарту ISO 9001;
- При необходимости вся продукция военного и аэрокосмического назначения проходит испытания и сертификацию в лаборатории (по согласованию с заказчиком);
- Поставка специализированных компонентов военного и аэрокосмического уровня качества (Xilinx, Altera, Analog Devices, Intersil, Interpoint, Microsemi, Actel, Aeroflex, Peregrine, VPT, Syfer, Eurofarad, Texas Instruments, MS Kennedy, Miteq, Cobham, E2V, MA-COM, Hittite, Mini-Circuits, General Dynamics и др.);

Компания «Океан Электроники» является официальным дистрибьютором и эксклюзивным представителем в России одного из крупнейших производителей разъемов военного и аэрокосмического назначения «JONHON», а так же официальным дистрибьютором и эксклюзивным представителем в России производителя высокотехнологичных и надежных решений для передачи СВЧ сигналов «FORSTAR».



JONHON

«JONHON» (основан в 1970 г.)

Разъемы специального, военного и аэрокосмического назначения:

(Применяются в военной, авиационной, аэрокосмической, морской, железнодорожной, горно- и нефтедобывающей отраслях промышленности)

«FORSTAR» (основан в 1998 г.)

ВЧ соединители, коаксиальные кабели, кабельные сборки и микроволновые компоненты:

(Применяются в телекоммуникациях гражданского и специального назначения, в средствах связи, РЛС, а так же военной, авиационной и аэрокосмической отраслях промышленности).



Телефон: 8 (812) 309-75-97 (многоканальный)

Факс: 8 (812) 320-03-32

Электронная почта: ocean@oceanchips.ru

Web: <http://oceanchips.ru/>

Адрес: 198099, г. Санкт-Петербург, ул. Калинина, д. 2, корп. 4, лит. А