



W6/W9 series

Magnetic Hydraulic Circuit Breakers



Features

- Designed for the international market. UL Recognized, CSA Certified, and VDE approved.
- Ratings to 50 amps.
- Heavy duty #10-32 stud connections. (W9)
- Optional 10 amp auxiliary switch.
- Optional snap-in mounting. (W6)
- Several delay curve options.
- Trip-free operation.

Agency Approvals

- UL:** Recognized as Supplementary Protector under UL 1077. File E69543.
- CSA:** Certified as a Supplementary Protector. File LR15734.
- VDE:** Approved to VDE 0642/EN 60 934 (Circuit Breakers for Equipment) License No. 73782.

Electrical Data

- Auxiliary Switch:** See Auxiliary Switch Ratings Table 2 for details.
- Calibration:** Breakers will hold 100% of rated current. Breakers may trip between 101% and 124% of rated load (149% for 400 Hz. units and 134% for AC/DC units). Breakers must trip at 125% of rated load and above (150% for 400 Hz. units and 135% for AC/DC units).
- Dielectric Strength:** 50/60 or 400 Hz., 1500V: DC, 1100V.
- Insulation Resistance:** 100 Megohms at 500VDC.
- Endurance:** 10,000 on/off cycles - 6000 at rated load, 4000 at no load. Units tested at six cycles per minute, 1 second on and 9 seconds off at 25°C ambient.

Typical Resistance and Impedance

| Current (Amps) | DC Resistance (Ohms) | 50/60 Hz. Impedance (Ohms) | 400 Hz. Impedance (Ohms) |
|----------------|----------------------|----------------------------|--------------------------|
| 0.2 | 90 | 90 | 180 |
| 1.0 | 1.2 | 1.2 | 2.0 |
| 2.0 | 0.28 | 0.28 | 0.50 |
| 5.0 | 0.04 | 0.04 | 0.05 |
| 10.0 | 0.013 | 0.013 | 0.025 |
| 20.0 | 0.004 | 0.005 | 0.0065 |
| 30.0 | 0.0027 | 0.004 | 0.004 |
| 40.0 | 0.002 | 0.002 | 0.003 |
| 50.0 | 0.0015 | 0.0015 | 0.0025 |

Tolerance: 0.1 - 4.99 ± 15%; 5 - 9.99 ± 20%; 10 - 15 ± 25%; 16 - 30 ± 50%.

Mechanical/Environmental Data

- Operating Temperature:** -40°C to +85°C.
- Humidity:** Meets requirements of Mil-STD-202 method 103.
- Shock:** Tested per Mil-STD-202, method 213, test condition C (100g @ 6 ms).
- Vibration:** Tested per Mil-STD-202, method 201, 10-55 Hz., 0.06" (1.52mm) total excursion in 2 planes.
- Fungus And Moisture Resistance:** Special moisture resistant finish applied to all ferrous parts. Plastic parts are made of inherently fungus resistant material.
- Marking:** W6 units have ON and OFF molded on the rocker of rocker actuated units (rocker actuated VDE units have international "1" and "0"). W9 units have ON and OFF molded into the area at the base of the toggle. International "1" and "0" symbols are marked on the toggle for both W6 and W9.
- Mounting:** Panel mounted units are mounted with two #6-32 screws from the front of the panel. Metric models for use with M3 x 0.5 screws are available. Units with snap-in mounting option snap through the front of the panel. To maintain published performance specifications, units should not be mounted more than 90° from their normal upright position.
- Weight:** Approximately 2.5 ounces per pole.

Approvals and Ratings Table 1

| Maximum Voltage | Frequency (Hz) | Current Phase | Interrupting Rating (Amps) | Capacity (Amps) |
|-----------------|----------------|---------------|----------------------------|-----------------|
| 65 | DC | - | 0.2 - 50 | 2,000 |
| 277 | 50/60 | 1 | 0.2 - 20 | 5,000 |
| 277 | 50/60 | 1 | 21 - 50 | 2,500 |
| 277/480 | 50/60 | 3Ø-Wye | 0.2 - 20 | 5,000 |
| 250 | 400 | 1 | 0.2 - 20 | 2,500 |
| 250 | 400 | 1 | 21 - 50 | 1,250 |
| 250 | 400 | 3Ø-Wye | 0.2 - 20 | 2,500 |

| Maximum Voltage | Frequency (Hz) | Current Phase | Interrupting Rating (Amps) | Capacity (Amps) |
|-----------------|----------------|---------------|----------------------------|-----------------|
| 65 | DC | - | 0.2 - 50 | 2,000 |
| 277 | 50/60 | 1 | 0.2 - 50 | 5,000 |
| 277/480 | 50/60 | 3Ø-Wye | 0.2 - 20 | 5,000 |
| 250 | 400 | 1 | 0.2 - 50 | 2,500 |
| 250 | 400 | 3Ø-Wye | 0.2 - 50 | 2,500 |

| Maximum Voltage | Frequency (Hz) | Current Phase | Interrupting Rating (Amps) | Capacity (Amps) |
|-----------------|----------------|---------------|----------------------------|-----------------|
| 65 | DC | - | 0.2-50 | 2,000 |
| 250 | 50/60 | 1 | 0.2-30 | 5,000 |
| 250 | 50/60 | 1 | 31-50 | 2,000 |
| 415/240 | 50/60 | 3Ø | 0.2-30 | 5,000 |

| Maximum Voltage | Frequency (Hz) | Current Phase | Interrupting Rating (Amps) | Capacity (Amps) |
|-----------------|----------------|---------------|----------------------------|-----------------|
| 65 | DC | - | 0.2-50 | 2,000 |
| 250 | 50/60 | 1 | 0.2-30 | 5,000 |
| 250 | 50/60 | 1 | 31-50 | 2,000 |
| 415/240 | 50/60 | 3Ø | 0.2-30 | 5,000 |

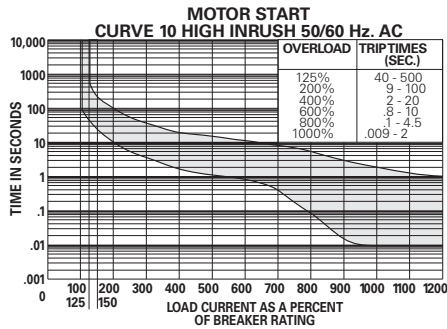
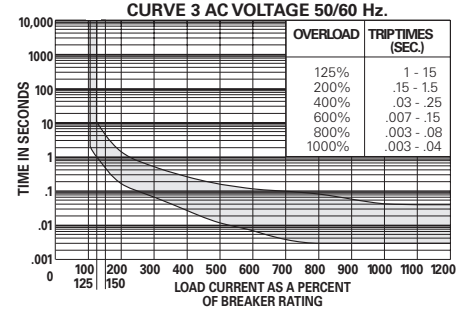
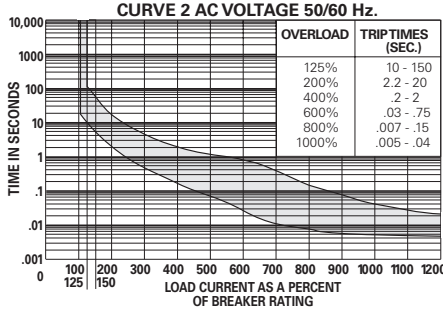
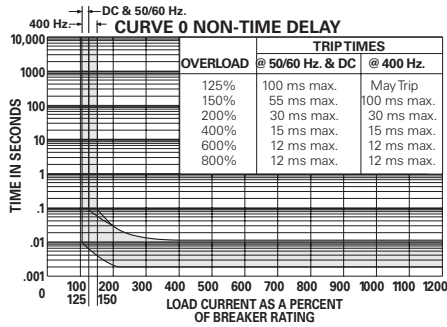
Approvals and Ratings Table 2

| Switch Number | Voltage 50/60 Hz. | Current (Amps) | Terminals WxTxL |
|---------------|-------------------|----------------|---|
| A | 125 | 10 | .093 x .020 x .250 (2.36 x .51 x 6.40) |

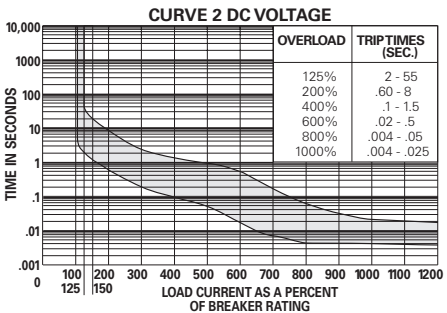
| Switch Number | Voltage 50/60 Hz. | Current (Amps) | Terminals WxTxL |
|---------------|-------------------|----------------|---------------------|
| V1 | 250 | 10 | .110 x .020 x .280 |
| V2 | 250 | 5 | (2.79 x .51 x 7.11) |
| V3 | 250 | 0.1 | |

Time vs. Current Trip Curves For W6 Series and W9 Series

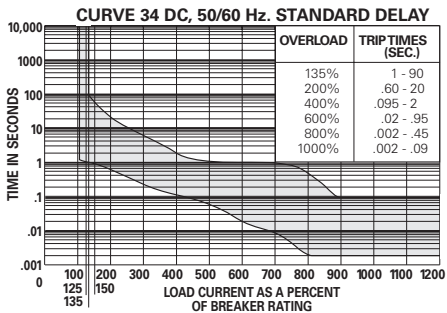
AC 50/60 Hz.



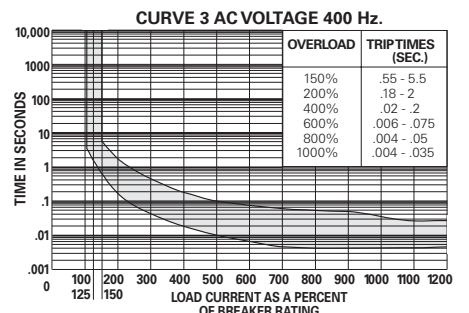
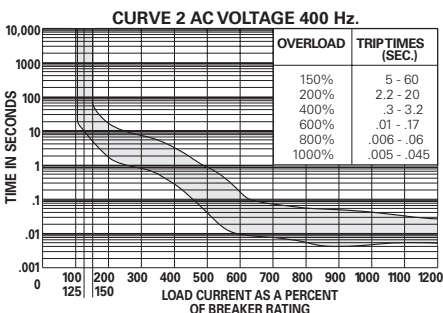
DC



AC/DC



AC 400 Hz.



Note:

For instantaneous curves for all voltages refer to Curve 0 Non-Time Delay under the AC 50/60 Hz. heading.

Pulse Tolerance Specifications

Pulse tolerance is defined as a single pulse of a half sine wave (1/2 cycle or 8 milliseconds) that will not trip the breaker. An inertia wheel for increased pulse tolerance is available by specifying "P" after the time delay curve number in the ordering information. The table at right lists pulse tolerance values of standard and inertia delay models.

| Voltage | Time Delay Curve | Pulse Tolerance Value | |
|-----------------|------------------|-----------------------|---------------|
| | | Standard | Inertia Delay |
| AC 50/60 Hz. | 2 | 7.5 | 18 |
| | 3 | 6 | 18 |
| | 10 | 18 | 30 |
| | 12 | 18 | 30 |
| AC 400 Hz. | 13 | 18 | 30 |
| | 2 | 6.5 | 18 |
| | 3 | 5.5 | 18 |

To determine pulse tolerance multiply breaker rating by value in table. For example, a 2A breaker with time delay curve 3 has a standard pulse tolerance of 12A (2A x 6). The same breaker with an inertia delay has a pulse tolerance of 36A (2A x 18).

Ordering Information

W6 Series

| Typical Part No. ▶ | | W | 67- | X | 2 | Q | 1 | 2- | 20 | | | | | | | | | | | | | | | | | | | | | | | | | | | | | |
|---|-------------------------------------|------------------|-------------------------------------|-----|-----|-----|-----|------|------|---------------------|-----------------------|------------------|------------------------|-----------------------------------|-------------|-----|-----------|-----|---------------------|------|-------------------------------------|------|-----------|-----------------------------------|-------------------------------------|------|---------------------------|-----|-----|-----|-------------------------------------|-----|------|------|------|------|------|------|
| 1. Circuit Breaker Mounting: W = #6-32 mounting threads. M = M3.0 x 0.5 mounting threads. X = Snap-in mounting. (Not available in rocker actuated models.) | | | | | | | | | | | | | | | | | | | | | | | | | | | | | | | | | | | | | | |
| 2. Number of Poles: 67 = Single pole 68 = Two pole 69 = Three pole 70 = Four pole | | | | | | | | | | | | | | | | | | | | | | | | | | | | | | | | | | | | | | |
| 3. Circuit Function: (Only X is VDE approved) A = Series trip with auxiliary switch (.093" QC) X = Series trip | | | | | | | | | | | | | | | | | | | | | | | | | | | | | | | | | | | | | | |
| 4. Actuator: (One actuator per pole) 1 = Black toggle 3 = Black rocker 5 = Red rocker 9 = Red toggle 2 = White toggle 4 = White rocker 6 = Grey rocker | | | | | | | | | | | | | | | | | | | | | | | | | | | | | | | | | | | | | | |
| 5. Termination: Q = .250" QC (DIN 46 244) 25A Max. VDE S = #8-32 screw T = #10-32 screw Note: "T" termination must be used for all ratings of 31 amps or above. | | | | | | | | | | | | | | | | | | | | | | | | | | | | | | | | | | | | | | |
| 6. Maximum Line Voltage: (See Table 1 for current ranges) <table border="0"> <tr> <td>UL/CSA TYPES</td> <td>1 = 277VAC, 50/60 Hz.</td> <td>VDE TYPES</td> <td>1 = 250VAC, 415/240VAC</td> </tr> <tr> <td></td> <td>2 = 277/480</td> <td></td> <td>5 = 65VDC</td> </tr> <tr> <td></td> <td>3 = 250VAC, 400 Hz.</td> <td></td> <td>7 = AC/DC 250VAC, 415/240VAC, 65VDC</td> </tr> <tr> <td></td> <td>5 = 65VDC</td> <td></td> <td>(Delay curve 34 must be specified.)</td> </tr> <tr> <td></td> <td>7 = AC/DC 277VAC or 65VDC</td> <td></td> <td></td> </tr> <tr> <td></td> <td>(Delay curve 34 must be specified.)</td> <td></td> <td></td> </tr> </table> | | | | | | | | | | UL/CSA TYPES | 1 = 277VAC, 50/60 Hz. | VDE TYPES | 1 = 250VAC, 415/240VAC | | 2 = 277/480 | | 5 = 65VDC | | 3 = 250VAC, 400 Hz. | | 7 = AC/DC 250VAC, 415/240VAC, 65VDC | | 5 = 65VDC | | (Delay curve 34 must be specified.) | | 7 = AC/DC 277VAC or 65VDC | | | | (Delay curve 34 must be specified.) | | | | | | | |
| UL/CSA TYPES | 1 = 277VAC, 50/60 Hz. | VDE TYPES | 1 = 250VAC, 415/240VAC | | | | | | | | | | | | | | | | | | | | | | | | | | | | | | | | | | | |
| | 2 = 277/480 | | 5 = 65VDC | | | | | | | | | | | | | | | | | | | | | | | | | | | | | | | | | | | |
| | 3 = 250VAC, 400 Hz. | | 7 = AC/DC 250VAC, 415/240VAC, 65VDC | | | | | | | | | | | | | | | | | | | | | | | | | | | | | | | | | | | |
| | 5 = 65VDC | | (Delay curve 34 must be specified.) | | | | | | | | | | | | | | | | | | | | | | | | | | | | | | | | | | | |
| | 7 = AC/DC 277VAC or 65VDC | | | | | | | | | | | | | | | | | | | | | | | | | | | | | | | | | | | | | |
| | (Delay curve 34 must be specified.) | | | | | | | | | | | | | | | | | | | | | | | | | | | | | | | | | | | | | |
| 7. Time Delay Curve: 0 = Instantaneous 10 = AC high inrush (Motor start) Notes: Curves may be specified with increased pulse tolerance for 1/2 cycle by adding "P" after curve. See delay curve section for availability and details. 2 = Standard delay 12 = AC high inrush version of #2 3 = Short delay 13 = AC high inrush version of #3 53 = DC high inrush 34 = Combination AC/DC standard delay | | | | | | | | | | | | | | | | | | | | | | | | | | | | | | | | | | | | | | |
| 8. Amp Rating: <table border="0"> <tr> <td>0.20</td><td>0.50</td><td>1.0</td><td>2.0</td><td>3.0</td><td>4.0</td><td>6.0</td><td>7.5</td><td>9.0</td><td>11.0</td><td>15.0</td><td>25.0</td><td>35.0</td><td>45.0</td><td rowspan="2">Consult factory for other values.</td> </tr> <tr> <td>0.25</td><td>0.75</td><td>1.5</td><td>2.5</td><td>3.5</td><td>5.0</td><td>7.0</td><td>8.0</td><td>10.0</td><td>12.0</td><td>20.0</td><td>30.0</td><td>40.0</td><td>50.0</td> </tr> </table> | | | | | | | | | | 0.20 | 0.50 | 1.0 | 2.0 | 3.0 | 4.0 | 6.0 | 7.5 | 9.0 | 11.0 | 15.0 | 25.0 | 35.0 | 45.0 | Consult factory for other values. | 0.25 | 0.75 | 1.5 | 2.5 | 3.5 | 5.0 | 7.0 | 8.0 | 10.0 | 12.0 | 20.0 | 30.0 | 40.0 | 50.0 |
| 0.20 | 0.50 | 1.0 | 2.0 | 3.0 | 4.0 | 6.0 | 7.5 | 9.0 | 11.0 | 15.0 | 25.0 | 35.0 | 45.0 | Consult factory for other values. | | | | | | | | | | | | | | | | | | | | | | | | |
| 0.25 | 0.75 | 1.5 | 2.5 | 3.5 | 5.0 | 7.0 | 8.0 | 10.0 | 12.0 | 20.0 | 30.0 | 40.0 | 50.0 | | | | | | | | | | | | | | | | | | | | | | | | | |
| 9. VDE Approval: (See Table 2 for auxiliary switch ratings) Blank = UL/CSA approved breaker V2 = VDE approved breaker with 5 amp VDE auxiliary switch V = VDE approved breaker without auxiliary switch V3 = VDE approved breaker with 0.1 amp VDE auxiliary switch V1 = VDE approved breaker with 10 amp VDE auxiliary switch | | | | | | | | | | | | | | | | | | | | | | | | | | | | | | | | | | | | | | |

Stock Items - We recommend that our authorized distributors stock the following items for immediate delivery.

| | | | | | | | |
|--------------|--------------|--------------|--------------|---------------|--------------|---------------|---------------|
| W67-A2Q12-5 | W67-X2Q12-5 | W67-X2Q13-1 | W67-X2Q13-25 | W67-X2Q52-15 | W68-X2Q12-5 | W68-X2Q12-30 | W69-X2Q12-15 |
| W67-A2Q12-10 | W67-X2Q12-7 | W67-X2Q13-2 | W67-X2Q13-30 | W67-X2Q52-20 | W68-X2Q12-7 | W68-X2Q13-15 | W69-X2Q12-20 |
| W67-X2Q10-3 | W67-X2Q12-10 | W67-X2Q13-3 | W67-X2Q50-5 | W67-X2Q52-30 | W68-X2Q12-10 | W68-X2Q110-10 | W69-X2Q12-25 |
| W67-X2Q10-5 | W67-X2Q12-15 | W67-X2Q13-10 | W67-X2Q50-10 | W67-X2Q110-15 | W68-X2Q12-15 | W68-X2Q110-20 | W69-X2Q12-30 |
| W67-X2Q12-2 | W67-X2Q12-20 | W67-X2Q13-15 | W67-X2Q52-5 | W67-X2Q110-20 | W68-X2Q12-20 | W69-X2Q12-5 | W69-X2Q110-20 |
| W67-X2Q12-3 | W67-X2Q12-30 | W67-X2Q13-20 | W67-X2Q52-10 | W68-X2Q12-3 | W68-X2Q12-25 | W69-X2Q12-10 | W69-X2Q110-30 |

Ordering Information

W9 Series

| Typical Part No. ▶ | | W | 91- | X | 1 | 1 | 2- | 20 | | | | | | | | | | | | | | | | | | | | | | | | | | | | | | |
|---|-------------------------------------|------------------|-------------------------------------|-----|------|------|------|------|-----------------------------------|-----------------------|------------------|------------------------|-----|-------------|------|-----------|------|---------------------|------|-------------------------------------|-----|-----------|-----|-------------------------------------|------|---------------------------|------|-----------------------------------|------|-------------------------------------|-----|-----|-----|------|------|------|------|--|
| 1. Circuit Breaker Mounting: W = #6-32 mounting threads. M = M3.0 x 0.5 mounting threads. | | | | | | | | | | | | | | | | | | | | | | | | | | | | | | | | | | | | | | |
| 2. Number of Poles: 91 = Single pole 92 = Two pole 93 = Three pole 94 = Four pole | | | | | | | | | | | | | | | | | | | | | | | | | | | | | | | | | | | | | | |
| 3. Circuit Function: (Only X is VDE approved) A = Series trip with auxiliary switch (.093" QC) X = Series trip | | | | | | | | | | | | | | | | | | | | | | | | | | | | | | | | | | | | | | |
| 4. Actuator: (One actuator per pole): 1 = Black toggle 2 = White toggle | | | | | | | | | | | | | | | | | | | | | | | | | | | | | | | | | | | | | | |
| 5. Maximum Line Voltage: (See Table 1 for current ranges) <table border="0"> <tr> <td>UL/CSA TYPES</td> <td>1 = 277VAC, 50/60 Hz.</td> <td>VDE TYPES</td> <td>1 = 250VAC, 415/240VAC</td> </tr> <tr> <td></td> <td>2 = 277/480</td> <td></td> <td>5 = 65VDC</td> </tr> <tr> <td></td> <td>3 = 250VAC, 400 Hz.</td> <td></td> <td>7 = AC/DC 250VAC, 415/240VAC, 65VDC</td> </tr> <tr> <td></td> <td>5 = 65VDC</td> <td></td> <td>(Delay curve 34 must be specified.)</td> </tr> <tr> <td></td> <td>7 = AC/DC 277VAC or 65VDC</td> <td></td> <td></td> </tr> <tr> <td></td> <td>(Delay curve 34 must be specified.)</td> <td></td> <td></td> </tr> </table> | | | | | | | | | UL/CSA TYPES | 1 = 277VAC, 50/60 Hz. | VDE TYPES | 1 = 250VAC, 415/240VAC | | 2 = 277/480 | | 5 = 65VDC | | 3 = 250VAC, 400 Hz. | | 7 = AC/DC 250VAC, 415/240VAC, 65VDC | | 5 = 65VDC | | (Delay curve 34 must be specified.) | | 7 = AC/DC 277VAC or 65VDC | | | | (Delay curve 34 must be specified.) | | | | | | | | |
| UL/CSA TYPES | 1 = 277VAC, 50/60 Hz. | VDE TYPES | 1 = 250VAC, 415/240VAC | | | | | | | | | | | | | | | | | | | | | | | | | | | | | | | | | | | |
| | 2 = 277/480 | | 5 = 65VDC | | | | | | | | | | | | | | | | | | | | | | | | | | | | | | | | | | | |
| | 3 = 250VAC, 400 Hz. | | 7 = AC/DC 250VAC, 415/240VAC, 65VDC | | | | | | | | | | | | | | | | | | | | | | | | | | | | | | | | | | | |
| | 5 = 65VDC | | (Delay curve 34 must be specified.) | | | | | | | | | | | | | | | | | | | | | | | | | | | | | | | | | | | |
| | 7 = AC/DC 277VAC or 65VDC | | | | | | | | | | | | | | | | | | | | | | | | | | | | | | | | | | | | | |
| | (Delay curve 34 must be specified.) | | | | | | | | | | | | | | | | | | | | | | | | | | | | | | | | | | | | | |
| 6. Time Delay Curve: 0 = Instantaneous 10 = AC high inrush (Motor start) Notes: Curves may be specified with increased pulse tolerance for 1/2 cycle by adding "P" after curve. See delay curve section for availability and details. 2 = Standard delay 12 = AC high inrush version of #2 3 = Short delay 13 = AC high inrush version of #3 53 = DC high inrush 34 = Combination AC/DC standard delay | | | | | | | | | | | | | | | | | | | | | | | | | | | | | | | | | | | | | | |
| 7. Amp Rating: <table border="0"> <tr> <td>0.20</td><td>0.75</td><td>2.0</td><td>3.5</td><td>6.0</td><td>8.0</td><td>11.0</td><td>20.0</td><td>35.0</td><td>50.0</td> </tr> <tr> <td>0.25</td><td>1.0</td><td>2.5</td><td>4.0</td><td>7.0</td><td>9.0</td><td>12.0</td><td>25.0</td><td>40.0</td><td>Consult factory for other values.</td> </tr> <tr> <td>0.50</td><td>1.5</td><td>3.0</td><td>5.0</td><td>7.5</td><td>10.0</td><td>15.0</td><td>30.0</td><td>45.0</td><td></td> </tr> </table> | | | | | | | | | 0.20 | 0.75 | 2.0 | 3.5 | 6.0 | 8.0 | 11.0 | 20.0 | 35.0 | 50.0 | 0.25 | 1.0 | 2.5 | 4.0 | 7.0 | 9.0 | 12.0 | 25.0 | 40.0 | Consult factory for other values. | 0.50 | 1.5 | 3.0 | 5.0 | 7.5 | 10.0 | 15.0 | 30.0 | 45.0 | |
| 0.20 | 0.75 | 2.0 | 3.5 | 6.0 | 8.0 | 11.0 | 20.0 | 35.0 | 50.0 | | | | | | | | | | | | | | | | | | | | | | | | | | | | | |
| 0.25 | 1.0 | 2.5 | 4.0 | 7.0 | 9.0 | 12.0 | 25.0 | 40.0 | Consult factory for other values. | | | | | | | | | | | | | | | | | | | | | | | | | | | | | |
| 0.50 | 1.5 | 3.0 | 5.0 | 7.5 | 10.0 | 15.0 | 30.0 | 45.0 | | | | | | | | | | | | | | | | | | | | | | | | | | | | | | |
| 8. VDE Approval: (See Table 2 for auxiliary switch ratings) Blank = UL/CSA approved breaker V2 = VDE approved breaker with 5 amp VDE auxiliary switch V = VDE approved breaker without auxiliary switch V3 = VDE approved breaker with 0.1 amp VDE auxiliary switch V1 = VDE approved breaker with 10 amp VDE auxiliary switch | | | | | | | | | | | | | | | | | | | | | | | | | | | | | | | | | | | | | | |

Stock Items - We recommend that our authorized distributors stock the following items for immediate delivery.

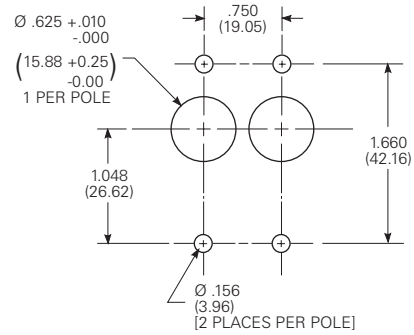
| | | | | | | | |
|-------------|-------------|-------------|--------------|-------------|--------------|--------------|--------------|
| W91-X112-1 | W91-X112-15 | W91-X113-15 | W91-X152-40 | W92-X112-5 | W92-X112-30 | W92-X1110-30 | W93-X112-30 |
| W91-X112-2 | W91-X112-20 | W91-X150-5 | W91-X152-50 | W92-X112-7 | W92-X112-40 | W93-X112-5 | W93-X112-40 |
| W91-X112-3 | W91-X112-40 | W91-X152-10 | W91-X1110-20 | W92-X112-10 | W92-X112-50 | W93-X112-10 | W93-X112-50 |
| W91-X112-5 | W91-X112-50 | W91-X152-15 | W92-X112-1 | W92-X112-15 | W92-X113-15 | W93-X112-15 | W93-X1110-20 |
| W91-X112-7 | W91-X113-5 | W91-X152-20 | W92-X112-2 | W92-X112-20 | W92-X113-20 | W93-X112-20 | W93-X1110-30 |
| W91-X112-10 | W91-X113-10 | W91-X152-30 | W92-X112-3 | W92-X112-25 | W92-X1110-20 | W93-X112-25 | |

Outline Dimensions - Toggle Actuator Models.

W6 Series



Panel Mounting Cutout



W6 Series

1 Pole



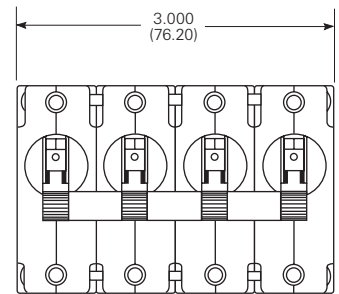
2 Pole



3 Pole



4 Pole

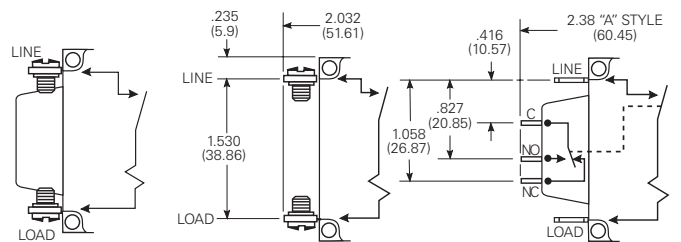


Note:
Multi-pole models furnished with separate handle tie hardware.

VDE Models W/Screw Terminals

UL/CSA Models W/Screw Terminals

UL/CSA/VDE Models W/Aux. Switch

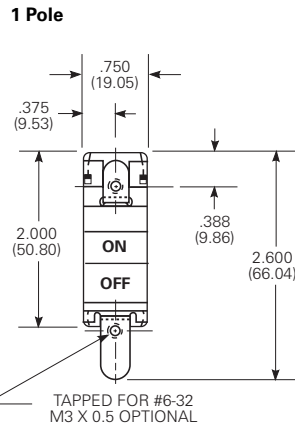
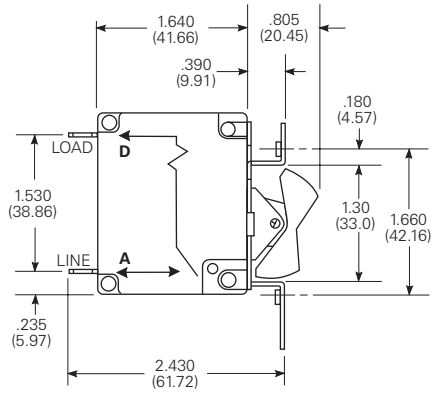


Notes:

- Terminal protrusion dimensions are referenced from back of mounting panel.
- Main terminals are male quick connect type .250 (6.35) wide x .031 (.79) thick x .377 (9.58) long. Optional 8-32 x .250 (6.35) or 10-32 x .250 (6.35) screw type.
- Panel mounting cutout detail mtg. detail tol.: ± .005 (.13) unless noted. Add additional cutouts to correspond to number of poles. Outline drawing tolerance ± .015 (.38) unless noted. Dimensions in brackets () are in millimeters.

Outline Dimensions - Rocker Actuator Models

W6 Series



Panel Mounting Cutout



VDE Rocker Marking

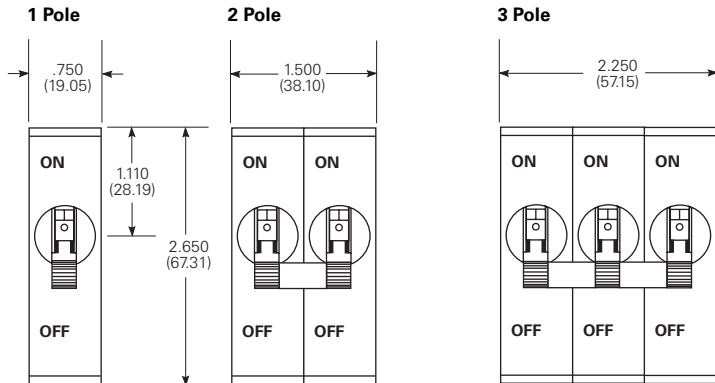
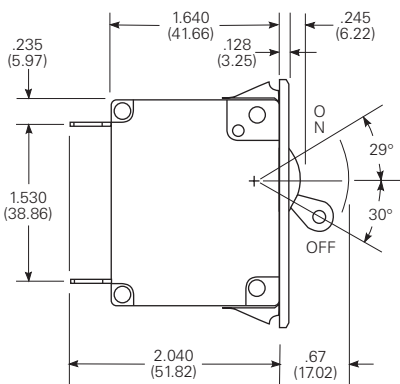


Notes:

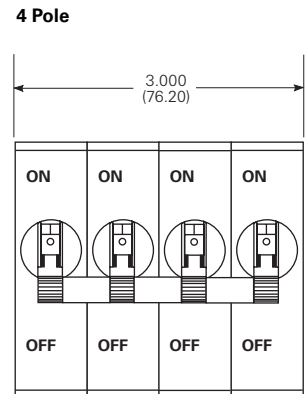
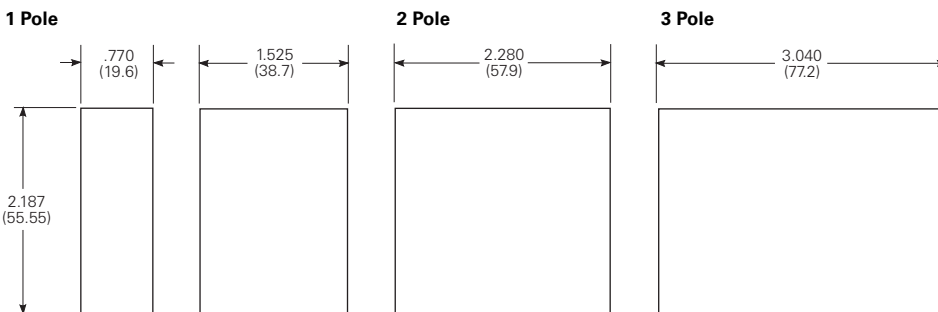
1. Outline drawing tolerance $\pm .015 (.38)$ unless noted. Dimensions in brackets () are in millimeters.
2. Mounting Detail Tol.: $\pm .005 (.13)$ unless noted

Outline Dimensions - Snap-in Mounted Models

W6 Series



Panel Mounting Cutout



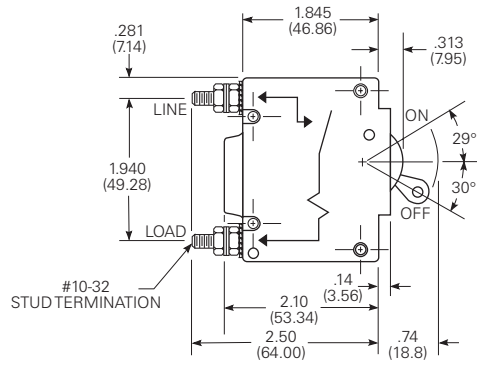
Notes:

- Mounting Detail Tol.: $\pm .005 (.13)$ unless noted
 Panel Thickness: .047 (1.2) to .110 (2.8)

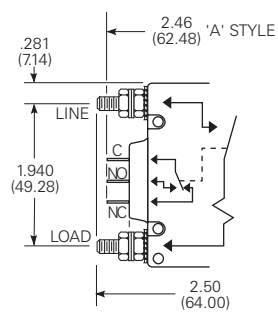
Outline Dimensions

W9 Series

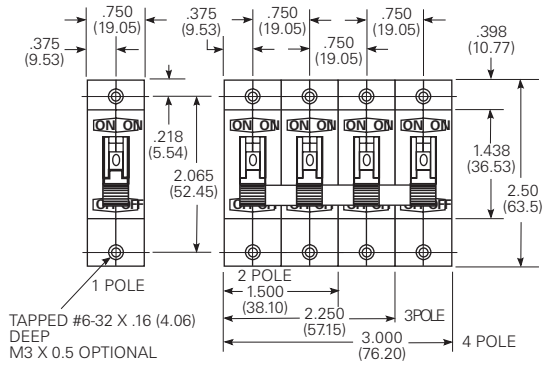
Series Trip Model



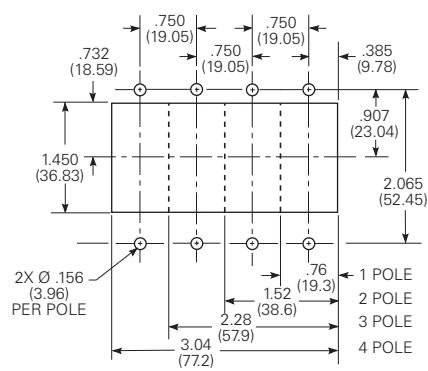
**Series Trip Model
With Common Enclosed Auxiliary Switch**



Series Trip Model



Panel Mounting Cutout Detail



Notes:

1. Terminal protrusion dimensions are referenced from the back of the mounting panel.
2. Mounting detail tolerance ±.005 (13) unless noted.
3. Outline drawing tolerance ±.015 (.38) unless noted. Dimensions in brackets () are in millimeters.

Компания «Океан Электроники» предлагает заключение долгосрочных отношений при поставках импортных электронных компонентов на взаимовыгодных условиях!

Наши преимущества:

- Поставка оригинальных импортных электронных компонентов напрямую с производств Америки, Европы и Азии, а так же с крупнейших складов мира;
- Широкая линейка поставок активных и пассивных импортных электронных компонентов (более 30 млн. наименований);
- Поставка сложных, дефицитных, либо снятых с производства позиций;
- Оперативные сроки поставки под заказ (от 5 рабочих дней);
- Экспресс доставка в любую точку России;
- Помощь Конструкторского Отдела и консультации квалифицированных инженеров;
- Техническая поддержка проекта, помощь в подборе аналогов, поставка прототипов;
- Поставка электронных компонентов под контролем ВП;
- Система менеджмента качества сертифицирована по Международному стандарту ISO 9001;
- При необходимости вся продукция военного и аэрокосмического назначения проходит испытания и сертификацию в лаборатории (по согласованию с заказчиком);
- Поставка специализированных компонентов военного и аэрокосмического уровня качества (Xilinx, Altera, Analog Devices, Intersil, Interpoint, Microsemi, Actel, Aeroflex, Peregrine, VPT, Syfer, Eurofarad, Texas Instruments, MS Kennedy, Miteq, Cobham, E2V, MA-COM, Hittite, Mini-Circuits, General Dynamics и др.);

Компания «Океан Электроники» является официальным дистрибьютором и эксклюзивным представителем в России одного из крупнейших производителей разъемов военного и аэрокосмического назначения «JONHON», а так же официальным дистрибьютором и эксклюзивным представителем в России производителя высокотехнологичных и надежных решений для передачи СВЧ сигналов «FORSTAR».



JONHON

«JONHON» (основан в 1970 г.)

Разъемы специального, военного и аэрокосмического назначения:

(Применяются в военной, авиационной, аэрокосмической, морской, железнодорожной, горно- и нефтедобывающей отраслях промышленности)

«FORSTAR» (основан в 1998 г.)

ВЧ соединители, коаксиальные кабели, кабельные сборки и микроволновые компоненты:

(Применяются в телекоммуникациях гражданского и специального назначения, в средствах связи, РЛС, а так же военной, авиационной и аэрокосмической отраслях промышленности).



Телефон: 8 (812) 309-75-97 (многоканальный)

Факс: 8 (812) 320-03-32

Электронная почта: ocean@oceanchips.ru

Web: <http://oceanchips.ru/>

Адрес: 198099, г. Санкт-Петербург, ул. Калинина, д. 2, корп. 4, лит. А