

# CAT24C208

## 8 kb Dual Port Serial EEPROM

### Description

The CAT24C208 is an 8 kb Dual Port Serial CMOS EEPROM internally organized as 4 segments of 256 bytes each. The CAT24C208 features a 16-byte page write buffer and can be accessed from either of two separate I<sup>2</sup>C compatible ports, DSP (SDA, SCL) and DDC (SDA, SCL).

Arbitration between the two interface ports is automatic and allows the appearance of individual access to the memory from each interface.

### Features

- Supports Standard and Fast I<sup>2</sup>C Protocol
- 2.5 V to 5.5 V Operation
- 16-Byte Page Write Buffer
- Schmitt Triggers and Noise Protection Filters on I<sup>2</sup>C Bus Input
- Low Power CMOS Technology
- 1,000,000 Program/Erase Cycles
- 100 Year Data Retention
- Industrial Temperature Range
- SOIC 8-lead Package
- This Device is Pb-Free, Halogen Free/BFR Free, and RoHS Compliant



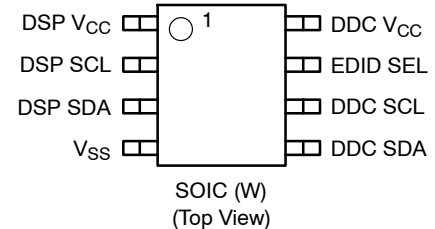
ON Semiconductor®

<http://onsemi.com>



SOIC-8  
W SUFFIX  
CASE 751BD

### PIN CONFIGURATION



### ORDERING INFORMATION

See detailed ordering and shipping information in the package dimensions section on page 10 of this data sheet.

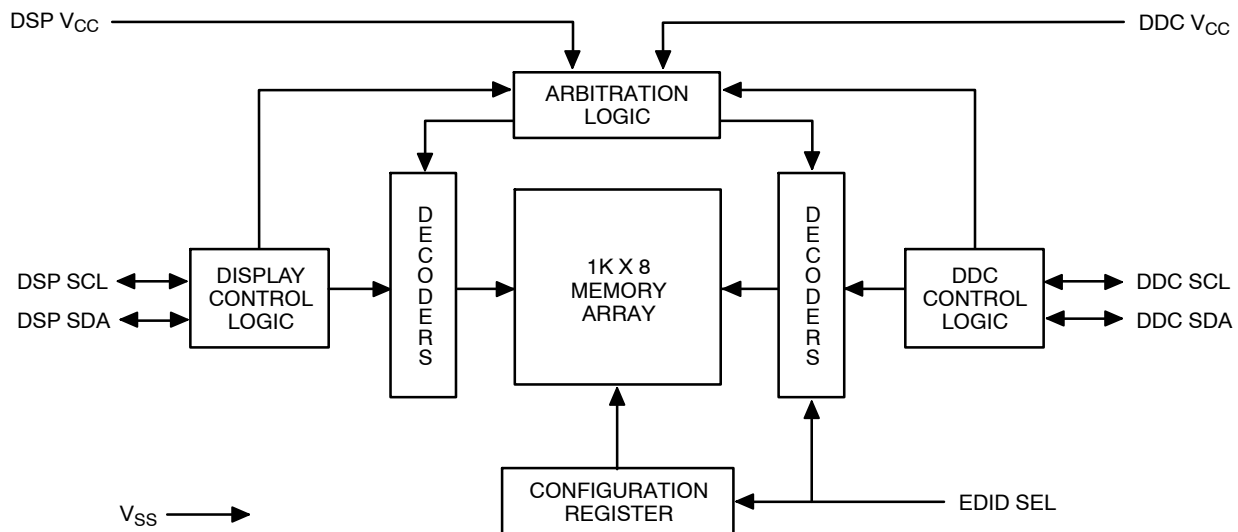


Figure 1. Block Diagram

# CAT24C208

**Table 1. PIN DESCRIPTION**

Pin Number	Pin Name	Function
1	DSP V <sub>CC</sub>	Device power from display controller
2	DSP SCL	The CAT24C208 DSP serial clock bidirectional pin is used to clock all data transfers into or out of the device DSP SDA pin and is also used to block DSP Port access when DDC Port is active.
3	DSP SDA	DSP Serial Data/Address. The bidirectional DSP serial data/address pin is used to transfer data into and out of the device from a display controller. The DSP SDA pin is an open drain output and can be wireOR'ed with other open drain or open collector outputs.
4	V <sub>SS</sub>	Device ground.
5	DDC SDA	DDC Serial Data/Address. The bidirectional DDC serial data/address pin is used to transfer data into and out of the device from a DDC host. The DDC SDA pin is an open drain output and can be wire-OR'ed with other open drain or open collector outputs.
6	DDC SCL	The CAT24C208 DDC serial clock bidirectional pin is used to clock all data transfers into or out of the device DDC SDA pin, and is used to block DDC Port for access when DSP Port is active.
7	EDID SEL	EDID select. The CAT24C208 EDID select input selects the active bank of memory to be accessed via the DDC SDA/SCL interface as set in the configuration register.
8	DDC V <sub>CC</sub>	Device power when powered from a DDC host.

**Table 2. ABSOLUTE MAXIMUM RATINGS**

Parameters	Ratings	Units
Temperature Under Bias	-55 to +125	°C
Storage Temperature	-65 to +150	°C
Voltage on Any Pin with Respect to Ground (Note 1)	-2.0 to +V <sub>CC</sub> +2.0	V
V <sub>CC</sub> with Respect to Ground	-2.0 to +7.0	V
Package Power Dissipation Capability (T <sub>A</sub> = 25°C)	1.0	W
Lead Soldering Temperature (10 secs)	300	°C
Output Short Circuit Current (Note 2)	100	mA

Stresses exceeding Maximum Ratings may damage the device. Maximum Ratings are stress ratings only. Functional operation above the Recommended Operating Conditions is not implied. Extended exposure to stresses above the Recommended Operating Conditions may affect device reliability.

1. The minimum DC input voltage is -0.5 V. During transitions, inputs may undershoot to -2.0 V for periods of less than 20 ns. Maximum DC voltage on output pins is V<sub>CC</sub> + 0.5 V, which may overshoot to V<sub>CC</sub> + 2.0 V for periods of less than 20 ns.
2. Output shorted for no more than one second. No more than one output shorted at a time.

**Table 3. RELIABILITY CHARACTERISTICS**

Symbol	Parameter	Reference Test Method	Min	Units
N <sub>END</sub> (Note 3)	Endurance	MIL-STD-883, Test Method 1033	1,000,000	Cycles/Byte
T <sub>DR</sub> (Note 3)	Data Retention	MIL-STD-883, Test Method 1008	100	Years
V <sub>ZAP</sub> (Note 3)	ESD Susceptibility	JEDEC Standard JESD 22	2000	Volts
I <sub>LTH</sub> (Notes 3 and 4)	Latch-up	JEDEC Standard 17	100	mA

3. This parameter is tested initially and after a design or process change that affects the parameter.
4. Latch-up protection is provided for stresses up to 100 mA on address and data pins from -1 V to V<sub>CC</sub> + 1 V.

**Table 4. CAPACITANCE** (T<sub>A</sub> = 25°C, f = 1.0 MHz, V<sub>CC</sub> = 5 V)

Symbol	Parameter	Conditions	Min	Typ	Max	Units
C <sub>I/O</sub> (Note 5)	Input/Output Capacitance (Either DSP or DDC SDA)	V <sub>I/O</sub> = 0 V			8	pF
C <sub>IN</sub> (Note 5)	Input Capacitance (EDID, Either DSP or DDC SCL)	V <sub>IN</sub> = 0 V			6	pF

5. This parameter is tested initially and after a design or process change that affects the parameter.

# CAT24C208

**Table 5. D.C. OPERATING CHARACTERISTICS** ( $V_{CC} = 2.5\text{ V to }5.5\text{ V}$ , unless otherwise specified.)

Symbol	Parameter	Test Conditions	Min	Typ	Max	Units
$I_{CC}$	Power Supply Current	$f_{SCL} = 100\text{ KHz}$			3	mA
$I_{SB}$	Standby Current ( $V_{CC} = 5.0\text{ V}$ )	$V_{IN} = \text{GND}$ or either DSP or DDC $V_{CC}$			50	$\mu\text{A}$
$I_{LI}$	Input Leakage Current	$V_{IN} = \text{GND}$ to either DSP or DDC $V_{CC}$			10	$\mu\text{A}$
$I_{LO}$	Output Leakage Current	$V_{OUT} = \text{GND}$ to either DSP or DDC $V_{CC}$			10	$\mu\text{A}$
$V_{IL}$	Input Low Voltage		-1		$V_{CC} \times 0.3$	V
$V_{IH}$	Input High Voltage		$V_{CC} \times 0.7$		$V_{CC} + 0.5$	V
VHYS	Input Hysteresis		0.05			V
$V_{OL1}$	Output Low Voltage ( $V_{CC} = 3\text{ V}$ )	$I_{OL} = 3\text{ mA}$			0.4	V
$V_{CCL1}$	Leakage DSP $V_{CC}$ to DDC $V_{CC}$				$\pm 100$	$\mu\text{A}$
$V_{CCL2}$	Leakage DDC $V_{CC}$ to DSP $V_{CC}$				$\pm 100$	$\mu\text{A}$

**Table 6. A.C. CHARACTERISTICS** ( $V_{CC} = 2.5\text{ V to }5.5\text{ V}$ , unless otherwise specified.)

Symbol	Parameter	Min	Max	Units
<b>READ &amp; WRITE CYCLE LIMITS</b>				
$F_{SCL}$	Clock Frequency		400	kHz
$T_I$ (Note 6)	Noise Suppression Time Constant at SCL, SDA Inputs		100	ns
$t_{AA}$	SCL Low to SDA Data Out and ACK Out		0.9	$\mu\text{s}$
$t_{BUF}$ (Note 6)	Time the Bus Must be Free Before a New Transmission Can Start	1.3		$\mu\text{s}$
$t_{HD:STA}$	Start Condition Hold Time	0.6		$\mu\text{s}$
$t_{LOW}$	Clock Low Period	1.3		$\mu\text{s}$
$t_{HIGH}$	Clock High Period	0.6		$\mu\text{s}$
$t_{SU:STA}$	Start Condition Setup Time (for a Repeated Start Condition)	0.6		$\mu\text{s}$
$t_{HD:DAT}$	Data In Hold Time	0		ns
$t_{SU:DAT}$	Data In Setup Time	100		ns
$t_R$ (Note 6)	SDA and SCL Rise Time		300	ns
$t_F$ (Note 6)	SDA and SCL Fall Time		300	ns
$t_{SU:STO}$	Stop Condition Setup Time	0.6		$\mu\text{s}$
$t_{DH}$	Data Out Hold Time	100		ns

**Table 7. POWER-UP TIMING** (Notes 6 and 7)

Symbol	Parameter	Min	Typ	Max	Units
$t_{PUR}$	Power-up to Read Operation			1	ms
$t_{PUW}$	Power-up to Write Operation			1	ms

6. This parameter is tested initially and after a design or process change that affects the parameter.

7.  $t_{PUR}$  and  $t_{PUW}$  are the delays required from the time  $V_{CC}$  is stable until the specified operation can be initiated.

**Table 8. WRITE CYCLE LIMITS**

Symbol	Parameter	Min	Typ	Max	Units
$t_{WR}$	Write Cycle Time			5	ms

The write cycle time is the time from a valid stop condition of a write sequence to the end of the internal program/erase cycle. During the write cycle, the bus interface circuits are disabled, SDA is allowed to remain high, and the device does not respond to its slave address.

# CAT24C208

## Functional Description

The CAT24C208 has a total memory space of 1K bytes which is accessible from either of two I<sup>2</sup>C interface ports, (DSP\_SDA and DSP\_SCL) or (DDC\_SDA and DDC\_SCL), and with the use of segment pointer at address 60h. On power up and after any instruction, the segment pointer will be in segment 00h for DSP and in segment 00h of the bank selected by the configuration register for DDC.

The entire memory appears as contiguous memory space from the perspective of the display interface (DSP\_SDA and DSP\_SCL), see Figure 4, and Figures 14 to Figure 21 for a complete description of the DSP Interface.

A configuration register at addresses 62/63h is used to configure the operation and memory map of the device as seen from the DDC interface, (DDC\_SDA and DDC\_SCL).

Read and write operations can be performed on any location within the memory space from the display DSP interface regardless of the state of the EDID SEL pin or the activity on the DDC interface. From the DDC interface, the memory space appears as two 512 byte banks of memory,

with 2 segments each 00h and 01h in the upper and lower bank, see Figure 3.

Each bank of memory can be used to store an E-EDID data structure. However, only one bank can be read through the DDC port at a time. The active bank of memory (that is, the bank that appears at address A0h on the DDC port) is controlled through the configuration register at 62/63h and the EDID\_SEL pin.

No write operations are possible from the DDC interface unless the DDC Write Enable bit is set (WE = 1) in the device configuration register at device address 62h.

The device automatically arbitrates between the two interfaces to allow the appearance of individual access to the memory from each interface.

In a typical E-EDID application the EDID\_SEL pin is usually connected to the "Analog Cable Detect" pin of a VESA M1 compliant, dual-mode (analog and digital) display. In this manner, the E-EDID appearing at address A0h on the DDC port will be either the analog or digital E-EDID, depending on the state of the "Analog Cable Detect" pin (pin C3 of the M1-DA connector). See Figure 2.

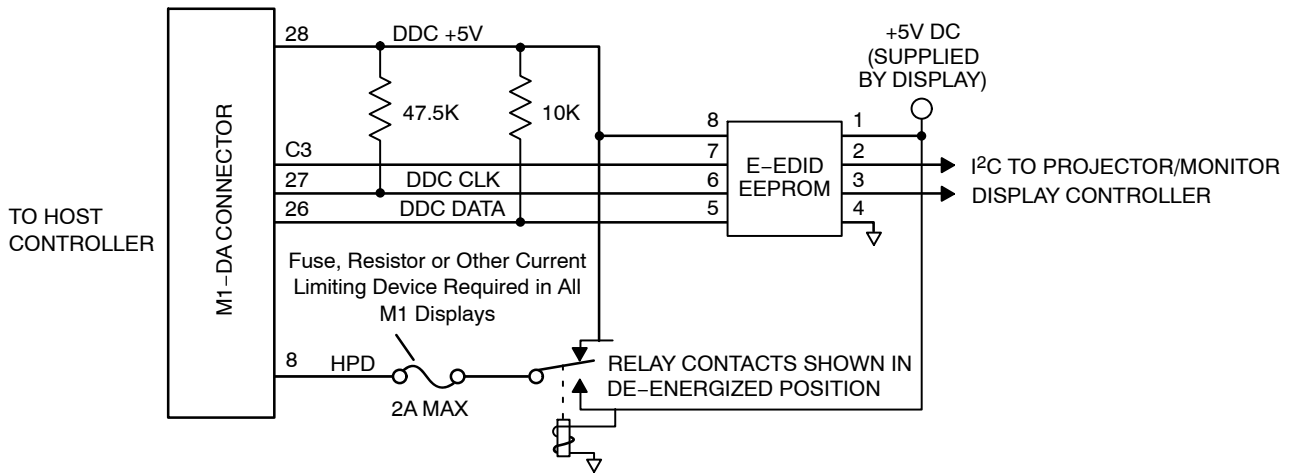


Figure 2.

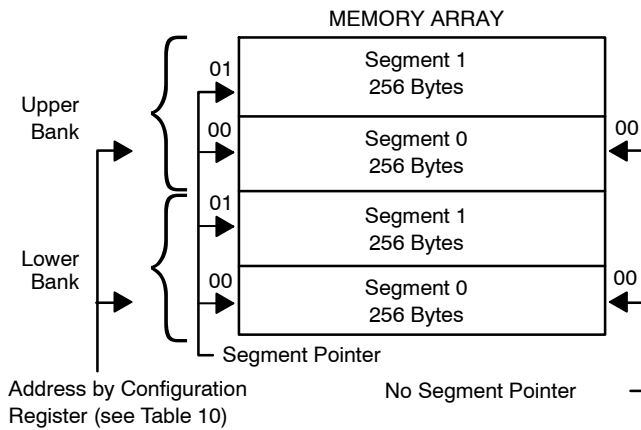


Figure 3. DDC Interface

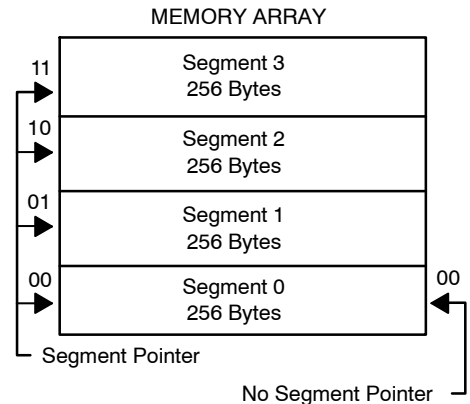


Figure 4. DSP Interface

# CAT24C208

## I<sup>2</sup>C Bus Protocol

The following defines the features of the I<sup>2</sup>C bus protocol:

1. Data transfer may be initiated only when the bus is not busy.
2. During a data transfer, the data line must remain stable whenever the clock line is high. Any changes in the data line while the clock line is high will be interpreted as a START or STOP condition.

## START Condition

The START Condition precedes all commands to the device, and is defined as a HIGH to LOW transition of either SDA when the respective SCL is HIGH. The CAT24C208 monitors the SDA and SCL lines and will not respond until this condition is met.

## STOP Condition

A LOW to HIGH transition of SDA when SCL is HIGH determines the STOP condition. All operations must end with a STOP condition.

## Acknowledge

After a successful data transfer, each receiving device is required to generate an acknowledge. The acknowledging device pulls down the respective SDA line during the ninth clock cycle, signaling that it received the 8 bits of data.

The CAT24C208 responds with an acknowledge after receiving a START condition and its slave address. If the device has been selected along with a write operation, it responds with an acknowledge after receiving each 8-bit byte.

When the CAT24C208 is in a READ mode it transmits 8 bits of data, releases the respective SDA line, and monitors the line for an acknowledge. Once it receives this acknowledge, the CAT24C208 will continue to transmit data. If no acknowledge is sent by the Master, the device terminates data transmission and waits for a STOP condition.

After an unsuccessful data transfer an acknowledge will not be issued (NACK) by the slave (CAT24C208), and the master should abort the sequence. If continued the device will read from or write to the wrong address in the two instruction format with the segment pointers.

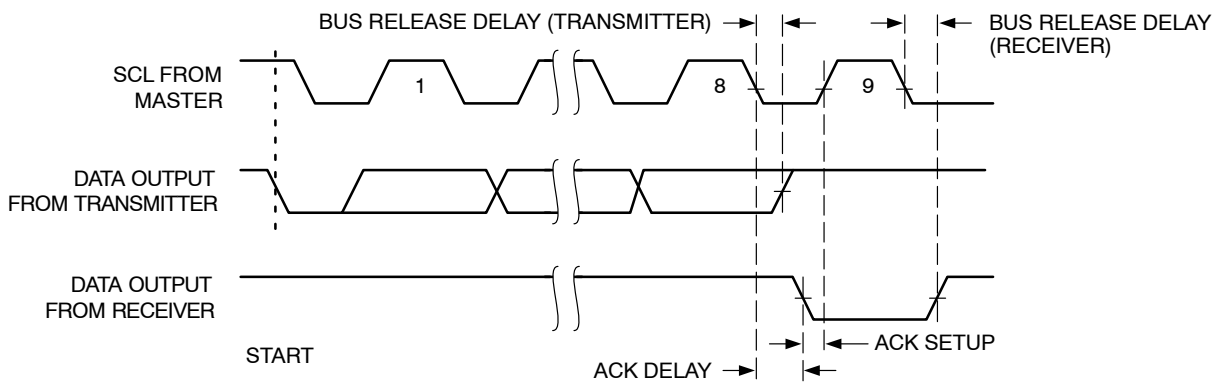


Figure 5. Acknowledge Timing

## Device Addressing

### DDC Interface

Both the DDC and DSP interfaces to the device are based on the I<sup>2</sup>C bus serial interface. All memory space operations are done at the A0/A1 DDC address pair. As such, all write operations to the memory space are done at DDC address A0h and all read operations of the memory space are done at DDC address A1h.

Figure 6 shows the bit sequence of a random read from anywhere within the memory space. The word offset

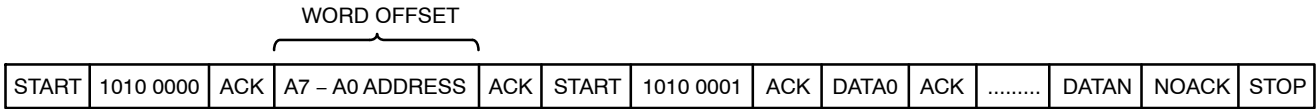
determines which of the 256 bytes within segment 00h is being read. Here the segment 00h can be at the lower or upper bank depending on the configuration register.

Sequential reads can be done in much the same manner by reading successive bytes after each acknowledge without generating a stop condition. See Figure 7. The device automatically increments the word offset value (8-bit value) and with wraparound in the same segment 00h to read maximum of 256 bytes.

# CAT24C208

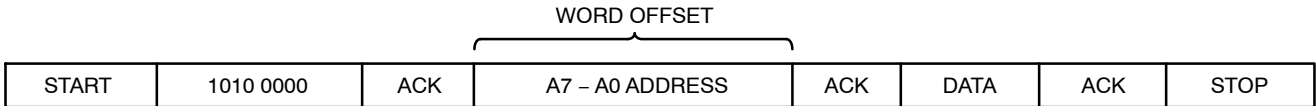


**Figure 6. Random Access Read (Segment 00h only)**

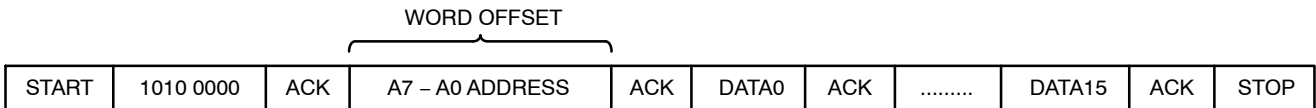


**Figure 7. Sequential Read (Segment 00h only)**

Figures 8 and 9 show the byte and page write respectively. The configuration register must have the WE bit set to 1 prior to any write on DDC Port. Only the segment 00h can be accessed of either lower or upper bank.



**Figure 8. Byte Write (Segment 00h only)**



**Figure 9. Page Write (Segment 00h only)**

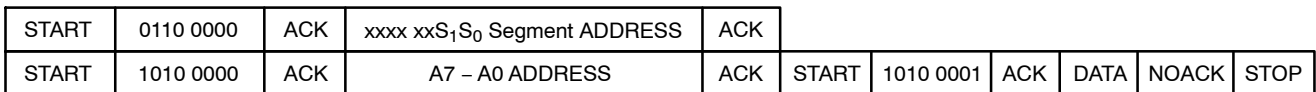
The segment pointer is at the address 60h and is write-only. This means that a memory access at 61h will give undefined results. The segment pointer is a volatile register. The device configuration register at 62/63 (hex) is a non-volatile register. The configuration register will be shipped in the erased (set to FFh) state.

The segment pointer is used to expand the available DDC address space while maintaining backward compatibility with older DDC interfaces such as DDC2B. For each value of the 8-bit segment pointer one segment (256 bytes) is available at the A0/A1 pair. The standard DDC 8-bit address is sufficient to address each of the 256 bytes within a

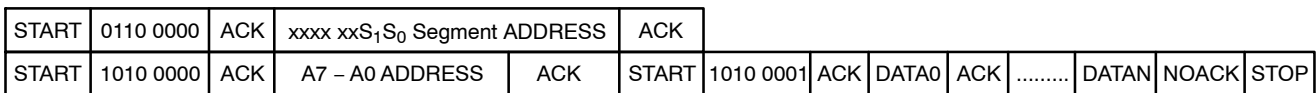
segment. Note that if the segment pointer is set to 00h then the device will behave like a standard DDC2B EEPROM.

Read and write with segment pointer can expand the addressable memory to 512 bytes in each bank with wraparound to the next segment in the same bank only. The two banks can be individually selected by the configuration register and EDID Sel pin, as shown in Table 10. The segments are selected by the two bits  $S_1S_0 = 00$  or  $01$  in the segment address.

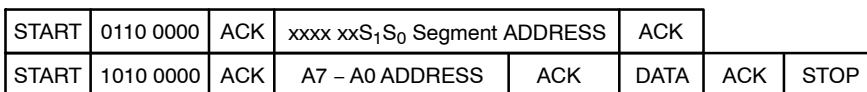
Figures 10 to 13 show the random read, sequential read, byte write and page write.



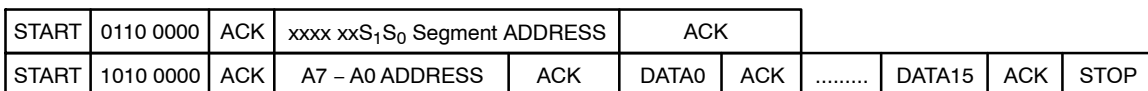
**Figure 10. Random Access Read**



**Figure 11. Sequential Read**



**Figure 12. Byte Write**



**Figure 13. Page Write**

# CAT24C208

## DSP Interface

The DSP interface is similar to I<sup>2</sup>C bus serial interface. Without the segment pointer, the maximum accessible memory space is 256 bytes of segment 00h only. In the

sequential mode the wrap around will be in the same segment also. Figures 14 to 17 show the read and write on the DSP Port.

START	1010 0000	ACK	A7 – A0 ADDRESS	ACK	START	1010 0001	ACK	DATA	NOACK	STOP
-------	-----------	-----	-----------------	-----	-------	-----------	-----	------	-------	------

**Figure 14. Random Access Read**

START	1010 0000	ACK	A7 – A0 ADDRESS	ACK	START	1010 0001	ACK	DATA0	ACK	.....	DATAN	NOACK	STOP
-------	-----------	-----	-----------------	-----	-------	-----------	-----	-------	-----	-------	-------	-------	------

**Figure 15. Sequential Read**

START	1010 0000	ACK	A7 – A0 ADDRESS	ACK	DATA	ACK	STOP
-------	-----------	-----	-----------------	-----	------	-----	------

**Figure 16. Byte Write**

START	1010 0000	ACK	A7 – A0 ADDRESS	ACK	DATA0	ACK	.....	DATA15	ACK	STOP
-------	-----------	-----	-----------------	-----	-------	-----	-------	--------	-----	------

**Figure 17. Page Write**

The segment pointer is used to expand the available DSP port addressable memory to 1 k bytes, divided into four segments of 256 bytes each. The four segments are selected

by two bits S<sub>1</sub>S<sub>0</sub> = 00, 01, 10, 11 in the segment address. Figures 18 to 21 show the random read, sequential read, byte write and page write.

START	0110 0000	ACK	xxxx xxS <sub>1</sub> S <sub>0</sub> Segment ADDRESS	ACK						
START	1010 0000	ACK	A7 – A0 ADDRESS	ACK	START	1010 0001	ACK	DATA	NOACK	STOP

**Figure 18. Random Access Read**

START	0110 0000	ACK	xxxx xxS <sub>1</sub> S <sub>0</sub> Segment ADDRESS	ACK									
START	1010 0000	ACK	A7 – A0 ADDRESS	ACK	START	1010 0001	ACK	DATA0	ACK	.....	DATAN	NOACK	STOP

**Figure 19. Sequential Read**

START	0110 0000	ACK	xxxx xxS <sub>1</sub> S <sub>0</sub> Segment ADDRESS	ACK			
START	1010 0000	ACK	A7 – A0 ADDRESS	ACK	DATA	ACK	STOP

**Figure 20. Byte Write**

START	0110 0000	ACK	xxxx xxS <sub>1</sub> S <sub>0</sub> Segment ADDRESS	ACK						
START	1010 0000	ACK	A7 – A0 ADDRESS	ACK	DATA0	ACK	.....	DATA15	ACK	STOP

**Figure 21. Page Write**

# CAT24C208

## Arbitration

The device performs a simplistic arbitration between the DDC and DSP ports. While the arbitration scheme described is not foolproof, it does prevent most errors.

Arbitration logic within the device monitors activity on DDC\_SCL and DSP\_SCL. When both I<sup>2</sup>C ports are idle, DDC\_SCL and DSP\_SCL are both high and the arbitration logic is inactive. When a START condition is detected on

either port, the opposite port SCL line is pulled low, holding off activity on that port. When the initiating SCL line has remained high for one full second, the arbitration logic assumes that the initiating devices is finished and releases the other SCL line. If the non-initiating device has been waiting for access, it can now read or write the device.

**Table 9. CONFIGURATION REGISTER**

Register Function	MSB							LSB
	7	6	5	4	3	2	1	0
Configuration Register	X	X	X	X	WE	AB1	AB0	NB

### Function Description

NB:	Number of memory banks in DDC port memory map. 0 = 2 Banks, 1 = 1 Bank
AB0:	Active Bank Control Bit 0 (See Table 10)
AB1:	Active Bank Control Bit 1 (See Table 10)
WE DDC:	Write Enable 0 = Write Disabled, 1 = Write Enabled (Note 8)

8. WE affects only write operations from the DDC port, not the display port. The display port always has write access.

**Table 10. CONFIGURATION REGISTER TRUTH TABLE**

AB1	AB0	NB	EDID Select Pin	Active Bank
0	X	0	0	Lower Bank
0	X	0	1	Upper Bank
1	0	0	X	Lower Bank
1	1	0	X	Upper Bank
X	X	1	X	Lower (only) Bank

The configuration register is a non-volatile register and is available from either DSP or DDC port at address 62h / 63h for write and read resp.

**Table 11. READ CONFIGURATION REGISTER**

START	0110 0011	ACK	DATA	NO ACK	STOP
-------	-----------	-----	------	--------	------

**Table 12. WRITE CONFIGURATION REGISTER**

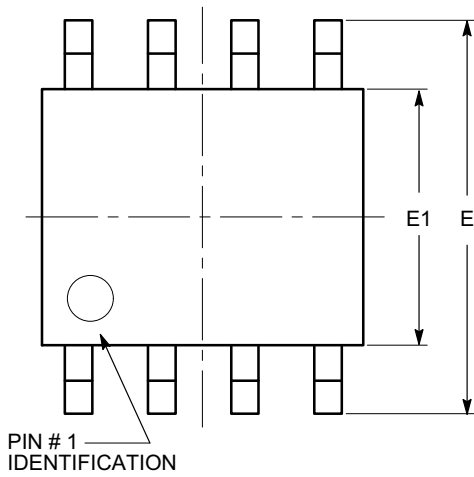
START	0110 0010	ACK	DUMMY ADDRESS	ACK	XXXX WE AB1 AB0 NB	ACK	STOP
-------	-----------	-----	---------------	-----	--------------------	-----	------



# CAT24C208

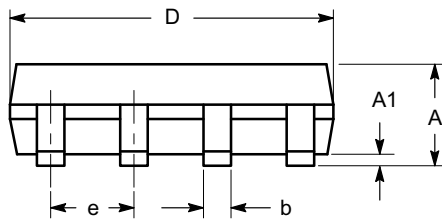
## PACKAGE DIMENSIONS

SOIC 8, 150 mils  
CASE 751BD-01  
ISSUE O

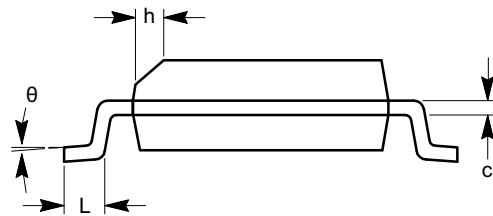


TOP VIEW

SYMBOL	MIN	NOM	MAX
A	1.35		1.75
A1	0.10		0.25
b	0.33		0.51
c	0.19		0.25
D	4.80		5.00
E	5.80		6.20
E1	3.80		4.00
e	1.27 BSC		
h	0.25		0.50
L	0.40		1.27
$\theta$	0°		8°



SIDE VIEW



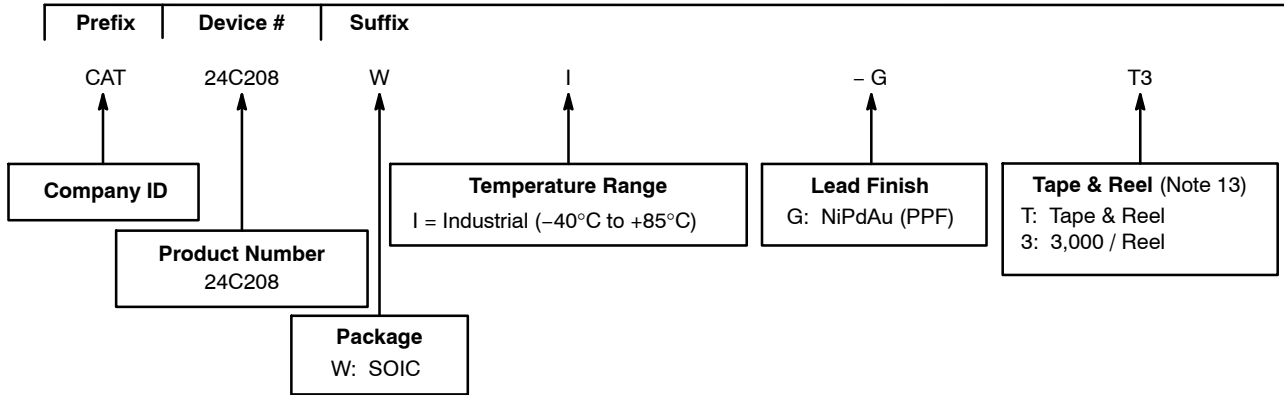
END VIEW

**Notes:**

- (1) All dimensions are in millimeters. Angles in degrees.
- (2) Complies with JEDEC MS-012.


# CAT24C208

## Example of Ordering Information



- All packages are RoHS-compliant (Lead-free, Halogen-free).
- The standard lead finish is NiPdAu.
- The device used in the above example is a CAT24C208WI-GT3 (SOIC, Industrial Temperature, NiPdAu, Tape & Reel).
- For additional package and temperature options, please contact your nearest ON Semiconductor Sales office.
- For information on tape and reel specifications, including part orientation and tape sizes, please refer to our Tape and Reel Packaging Specifications Brochure, BRD8011/D.

ON Semiconductor is licensed by Philips Corporation to carry the I<sup>2</sup>C Bus Protocol.

ON Semiconductor and  are registered trademarks of Semiconductor Components Industries, LLC (SCILLC). SCILLC reserves the right to make changes without further notice to any products herein. SCILLC makes no warranty, representation or guarantee regarding the suitability of its products for any particular purpose, nor does SCILLC assume any liability arising out of the application or use of any product or circuit, and specifically disclaims any and all liability, including without limitation special, consequential or incidental damages. "Typical" parameters which may be provided in SCILLC data sheets and/or specifications can and do vary in different applications and actual performance may vary over time. All operating parameters, including "Typicals" must be validated for each customer application by customer's technical experts. SCILLC does not convey any license under its patent rights nor the rights of others. SCILLC products are not designed, intended, or authorized for use as components in systems intended for surgical implant into the body, or other applications intended to support or sustain life, or for any other application in which the failure of the SCILLC product could create a situation where personal injury or death may occur. Should Buyer purchase or use SCILLC products for any such unintended or unauthorized application, Buyer shall indemnify and hold SCILLC and its officers, employees, subsidiaries, affiliates, and distributors harmless against all claims, costs, damages, and expenses, and reasonable attorney fees arising out of, directly or indirectly, any claim of personal injury or death associated with such unintended or unauthorized use, even if such claim alleges that SCILLC was negligent regarding the design or manufacture of the part. SCILLC is an Equal Opportunity/Affirmative Action Employer. This literature is subject to all applicable copyright laws and is not for resale in any manner.

## PUBLICATION ORDERING INFORMATION

**LITERATURE FULFILLMENT:**  
Literature Distribution Center for ON Semiconductor  
P.O. Box 5163, Denver, Colorado 80217 USA  
**Phone:** 303-675-2175 or 800-344-3860 Toll Free USA/Canada  
**Fax:** 303-675-2176 or 800-344-3867 Toll Free USA/Canada  
**Email:** orderlit@onsemi.com

**N. American Technical Support:** 800-282-9855 Toll Free  
USA/Canada  
**Europe, Middle East and Africa Technical Support:**  
Phone: 421 33 790 2910  
**Japan Customer Focus Center**  
Phone: 81-3-5773-3850

**ON Semiconductor Website:** [www.onsemi.com](http://www.onsemi.com)

**Order Literature:** <http://www.onsemi.com/orderlit>

For additional information, please contact your local Sales Representative

Компания «Океан Электроники» предлагает заключение долгосрочных отношений при поставках импортных электронных компонентов на взаимовыгодных условиях!

Наши преимущества:

- Поставка оригинальных импортных электронных компонентов напрямую с производств Америки, Европы и Азии, а так же с крупнейших складов мира;
- Широкая линейка поставок активных и пассивных импортных электронных компонентов (более 30 млн. наименований);
- Поставка сложных, дефицитных, либо снятых с производства позиций;
- Оперативные сроки поставки под заказ (от 5 рабочих дней);
- Экспресс доставка в любую точку России;
- Помощь Конструкторского Отдела и консультации квалифицированных инженеров;
- Техническая поддержка проекта, помощь в подборе аналогов, поставка прототипов;
- Поставка электронных компонентов под контролем ВП;
- Система менеджмента качества сертифицирована по Международному стандарту ISO 9001;
- При необходимости вся продукция военного и аэрокосмического назначения проходит испытания и сертификацию в лаборатории (по согласованию с заказчиком);
- Поставка специализированных компонентов военного и аэрокосмического уровня качества (Xilinx, Altera, Analog Devices, Intersil, Interpoint, Microsemi, Actel, Aeroflex, Peregrine, VPT, Syfer, Eurofarad, Texas Instruments, MS Kennedy, Miteq, Cobham, E2V, MA-COM, Hittite, Mini-Circuits, General Dynamics и др.);

Компания «Океан Электроники» является официальным дистрибьютором и эксклюзивным представителем в России одного из крупнейших производителей разъемов военного и аэрокосмического назначения «JONHON», а так же официальным дистрибьютором и эксклюзивным представителем в России производителя высокотехнологичных и надежных решений для передачи СВЧ сигналов «FORSTAR».



## JONHON

«JONHON» (основан в 1970 г.)

Разъемы специального, военного и аэрокосмического назначения:

(Применяются в военной, авиационной, аэрокосмической, морской, железнодорожной, горно- и нефтедобывающей отраслях промышленности)

«FORSTAR» (основан в 1998 г.)

ВЧ соединители, коаксиальные кабели, кабельные сборки и микроволновые компоненты:

(Применяются в телекоммуникациях гражданского и специального назначения, в средствах связи, РЛС, а так же военной, авиационной и аэрокосмической отраслях промышленности).



Телефон: 8 (812) 309-75-97 (многоканальный)

Факс: 8 (812) 320-03-32

Электронная почта: [ocean@oceanchips.ru](mailto:ocean@oceanchips.ru)

Web: <http://oceanchips.ru/>

Адрес: 198099, г. Санкт-Петербург, ул. Калинина, д. 2, корп. 4, лит. А