

DS28E15

1-Wire SHA-256 Secure Authenticator with 512-Bit User EEPROM

General Description

The DS28E15 combines crypto-strong bidirectional secure challenge-and-response authentication functionality with an implementation based on the FIPS 180-3-specified Secure Hash Algorithm (SHA-256). A 512-bit user-programmable EEPROM array provides nonvolatile storage of application data. Additional protected memory holds a read-protected secret for SHA-256 operations and settings for memory protection control. Each device has its own guaranteed unique 64-bit ROM identification number (ROM ID) that is factory programmed into the chip. This unique ROM ID is used as a fundamental input parameter for cryptographic operations and also serves as an electronic serial number within the application. A bidirectional security model enables two-way authentication between a host system and slave-embedded DS28E15. Slave-to-host authentication is used by a host system to securely validate that an attached or embedded DS28E15 is authentic. Host-to-slave authentication is used to protect DS28E15 user memory from being modified by a nonauthentic host. The DS28E15 communicates over the single-contact 1-Wire® bus at overdrive speed. The communication follows the 1-Wire protocol with the ROM ID acting as node address in the case of a multidevice 1-Wire network.

Features

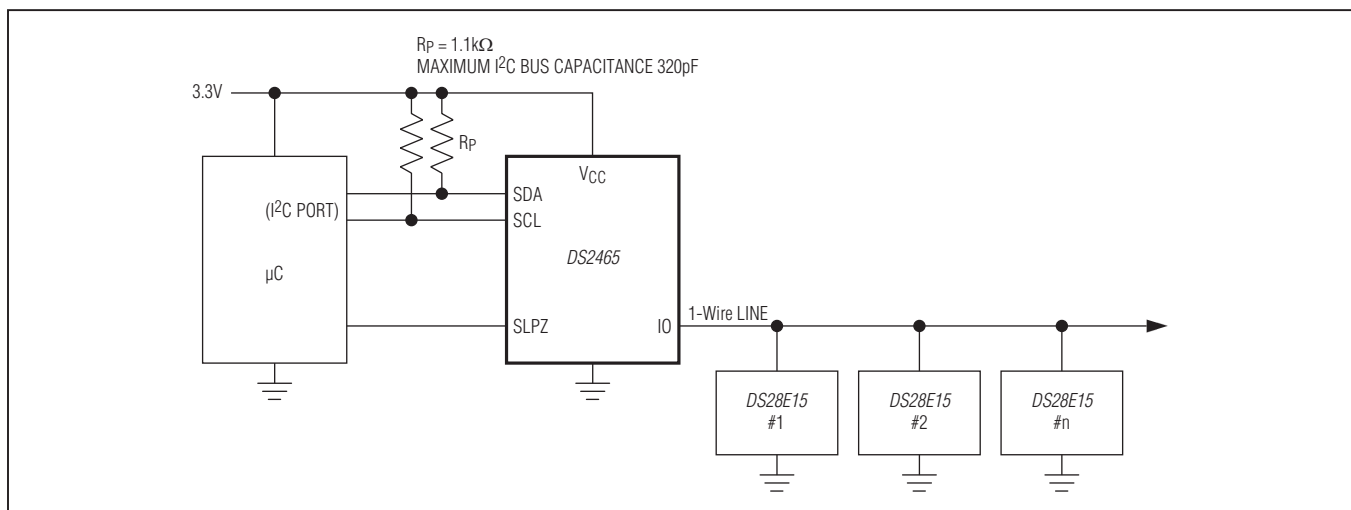
- ◆ Symmetric-Key-Based Bidirectional Secure Authentication Model Based on SHA-256
- ◆ Strong Authentication with a High-Bit-Count User-Programmable Secret and Input Challenge
- ◆ 512 Bits of User EEPROM Partitioned Into Two Pages of 256 Bits
- ◆ User-Programmable and Irreversible EEPROM Protection Modes Including Authentication, Write and Read Protect, and OTP/EPROM Emulation
- ◆ Unique Factory-Programmed, 64-Bit Identification Number
- ◆ Single-Contact 1-Wire Interface
- ◆ Operating Range: 3.3V ±10%, -40°C to +85°C
- ◆ ±8kV HBM ESD Protection (typ)
- ◆ 2-Pin SFN, 6-Pin TDFN-EP, and 6-Pin TSOC Packages

Applications

Authentication of Consumables
Secure Feature Control

Ordering Information appears at end of data sheet.

Typical Application Circuit



1-Wire is a registered trademark of Maxim Integrated Products, Inc.

For related parts and recommended products to use with this part, refer to: www.maxim-ic.com/DS28E15.related

For pricing, delivery, and ordering information, please contact Maxim Direct at 1-888-629-4642, or visit Maxim's website at www.maxim-ic.com.

1-Wire SHA-256 Secure Authenticator with 512-Bit User EEPROM

ABSOLUTE MAXIMUM RATINGS

| | | | |
|----------------------------------|----------------|---|-----------------|
| IO Voltage Range to GND..... | -0.5V to +4.0V | Storage Temperature Range..... | -55°C to +125°C |
| IO Sink Current..... | 20mA | Lead Temperature (TDFN, TSOC only; soldering, 10s)..... | +300°C |
| Operating Temperature Range..... | -40°C to +85°C | Soldering Temperature (TDFN, TSOC only; reflow)..... | +260°C |
| Junction Temperature | +150°C | | |

Note: The SFN package is qualified for electro-mechanical contact applications only, not for soldering. For more information, refer to [Application Note 4132: Attachment Methods for the Electro-Mechanical SFN Package](#).

Stresses beyond those listed under "Absolute Maximum Ratings" may cause permanent damage to the device. These are stress ratings only, and functional operation of the device at these or any other conditions beyond those indicated in the operational sections of the specifications is not implied. Exposure to absolute maximum rating conditions for extended periods may affect device reliability.

ELECTRICAL CHARACTERISTICS

(T_A = -40°C to +85°C, unless otherwise noted.) (Note 1)

| PARAMETER | SYMBOL | CONDITIONS | MIN | TYP | MAX | UNITS |
|--|-------------------|--|---------------------|-------------------------|-------|-------|
| IO PIN: GENERAL DATA | | | | | | |
| 1-Wire Pullup Voltage | V _{PUP} | (Note 2) | 2.97 | | 3.63 | V |
| 1-Wire Pullup Resistance | R _{PUP} | V _{PUP} = 3.3V ±10% (Note 3) | 300 | | 1500 | Ω |
| Input Capacitance | C _{IO} | (Notes 4, 5) | | 1500 | | pF |
| Input Load Current | I _L | IO pin at V _{PUP} | | 5 | 19.5 | μA |
| High-to-Low Switching Threshold | V _{TL} | (Notes 6, 7) | | 0.65 x V _{PUP} | | V |
| Input Low Voltage | V _{IL} | (Notes 2, 8) | | | 0.3 | V |
| Low-to-High Switching Threshold | V _{TH} | (Notes 6, 9) | | 0.75 x V _{PUP} | | V |
| Switching Hysteresis | V _{HY} | (Notes 6, 10) | | 0.3 | | V |
| Output Low Voltage | V _{OL} | I _{OL} = 4mA (Note 11) | | | 0.4 | V |
| Recovery Time | t _{REC} | R _{PUP} = 1500Ω (Notes 2, 12) | 5 | | | μs |
| Time Slot Duration | t _{SLOT} | (Notes 2, 13) | 13 | | | μs |
| IO PIN: 1-Wire RESET, PRESENCE-DETECT CYCLE | | | | | | |
| Reset Low Time | t _{RSTL} | (Note 2) | 48 | | 80 | μs |
| Reset High Time | t _{RSTH} | (Note 14) | 48 | | | μs |
| Presence-Detect Sample Time | t _{MSP} | (Notes 2, 15) | 8 | | 10 | μs |
| IO PIN: 1-Wire WRITE | | | | | | |
| Write-Zero Low Time | t _{W0L} | (Notes 2, 16) | 8 | | 16 | μs |
| Write-One Low Time | t _{W1L} | (Notes 2, 16) | 1 | | 2 | μs |
| IO PIN: 1-Wire READ | | | | | | |
| Read Low Time | t _{RL} | (Notes 2, 17) | 1 | | 2 - δ | μs |
| Read Sample Time | t _{MSR} | (Notes 2, 17) | t _{RL} + δ | | 2 | μs |

1-Wire SHA-256 Secure Authenticator with 512-Bit User EEPROM

ELECTRICAL CHARACTERISTICS (continued)

($T_A = -40^{\circ}\text{C}$ to $+85^{\circ}\text{C}$, unless otherwise noted.) (Note 1)

| PARAMETER | SYMBOL | CONDITIONS | MIN | TYP | MAX | UNITS |
|---------------------------------------|-------------------|---|------|-----|-----|-------|
| EEPROM | | | | | | |
| Programming Current | I_{PROG} | $V_{\text{PUP}} = 3.63\text{V}$ (Notes 5, 18) | | | 1 | mA |
| Programming Time for a 32-Bit Segment | t_{PROG} | (Note 19) | | | 10 | ms |
| Write/Erase Cycling Endurance | N_{CY} | $T_A = +125^{\circ}\text{C}$ (Notes 20, 21) | 100k | | | — |
| Data Retention | t_{DR} | $T_A = +125^{\circ}\text{C}$ (storage) (Notes 22, 23, 24) | 10 | | | Years |
| SHA-256 ENGINE | | | | | | |
| Computation Current | I_{CSHA} | Refer to the full data sheet. | | | | mA |
| Computation Time | t_{CSHA} | | | | | ms |

Note 1: Limits are 100% production tested at $T_A = +25^{\circ}\text{C}$ and/or $T_A = +85^{\circ}\text{C}$. Limits over the operating temperature range and relevant supply voltage range are guaranteed by design and characterization. Typical values are not guaranteed.

Note 2: System requirement.

Note 3: Maximum allowable pullup resistance is a function of the number of 1-Wire devices in the system and 1-Wire recovery times. The specified value here applies to systems with only one device and with the minimum 1-Wire recovery times.

Note 4: Typical value represents the internal parasite capacitance when V_{PUP} is first applied. Once the parasite capacitance is charged, it does not affect normal communication.

Note 5: Guaranteed by design and/or characterization only. Not production tested.

Note 6: V_{TL} , V_{TH} , and V_{HY} are a function of the internal supply voltage, which is a function of V_{PUP} , R_{PUP} , 1-Wire timing, and capacitive loading on IO. Lower V_{PUP} , higher R_{PUP} , shorter t_{REC} , and heavier capacitive loading all lead to lower values of V_{TL} , V_{TH} , and V_{HY} .

Note 7: Voltage below which, during a falling edge on IO, a logic 0 is detected.

Note 8: The voltage on IO must be less than or equal to $V_{\text{IL}(\text{MAX})}$ at all times the master is driving IO to a logic 0 level.

Note 9: Voltage above which, during a rising edge on IO, a logic 1 is detected.

Note 10: After V_{TH} is crossed during a rising edge on IO, the voltage on IO must drop by at least V_{HY} to be detected as logic 0.

Note 11: The I-V characteristic is linear for voltages less than 1V.

Note 12: Applies to a single device attached to a 1-Wire line.

Note 13: Defines maximum possible bit rate. Equal to $1/(t_{\text{WOL}(\text{MIN})} + t_{\text{REC}(\text{MIN})})$.

Note 14: An additional reset or communication sequence cannot begin until the reset high time has expired.

Note 15: Interval after t_{RSTL} during which a bus master can read a logic 0 on IO if there is a DS28E15 present. The power-up presence detect pulse could be outside this interval but will be complete within 2ms after power-up.

Note 16: ϵ in Figure 11 represents the time required for the pullup circuitry to pull the voltage on IO up from V_{IL} to V_{TH} . The actual maximum duration for the master to pull the line low is $t_{\text{W1L}(\text{MAX})} + t_{\text{F}} - \epsilon$ and $t_{\text{W0L}(\text{MAX})} + t_{\text{F}} - \epsilon$, respectively.

Note 17: δ in Figure 11 represents the time required for the pullup circuitry to pull the voltage on IO up from V_{IL} to the input-high threshold of the bus master. The actual maximum duration for the master to pull the line low is $t_{\text{RL}(\text{MAX})} + t_{\text{F}}$.

Note 18: Current drawn from IO during the EEPROM programming interval or SHA-256 computation. The pullup circuit on IO during the programming and computation interval should be such that the voltage at IO is greater than or equal to $V_{\text{PUP}(\text{MIN})}$. A low-impedance bypass of R_{PUP} activated during programming and computation is the recommended way to meet this requirement.

Note 19: Refer to the full data sheet.

Note 20: Write-cycle endurance is tested in compliance with JESD47G.

Note 21: Not 100% production tested; guaranteed by reliability monitor sampling.

Note 22: Data retention is tested in compliance with JESD47G.

Note 23: Guaranteed by 100% production test at elevated temperature for a shorter time; equivalence of this production test to the data sheet limit at operating temperature range is established by reliability testing.

DS28E15

1-Wire SHA-256 Secure Authenticator with 512-Bit User EEPROM

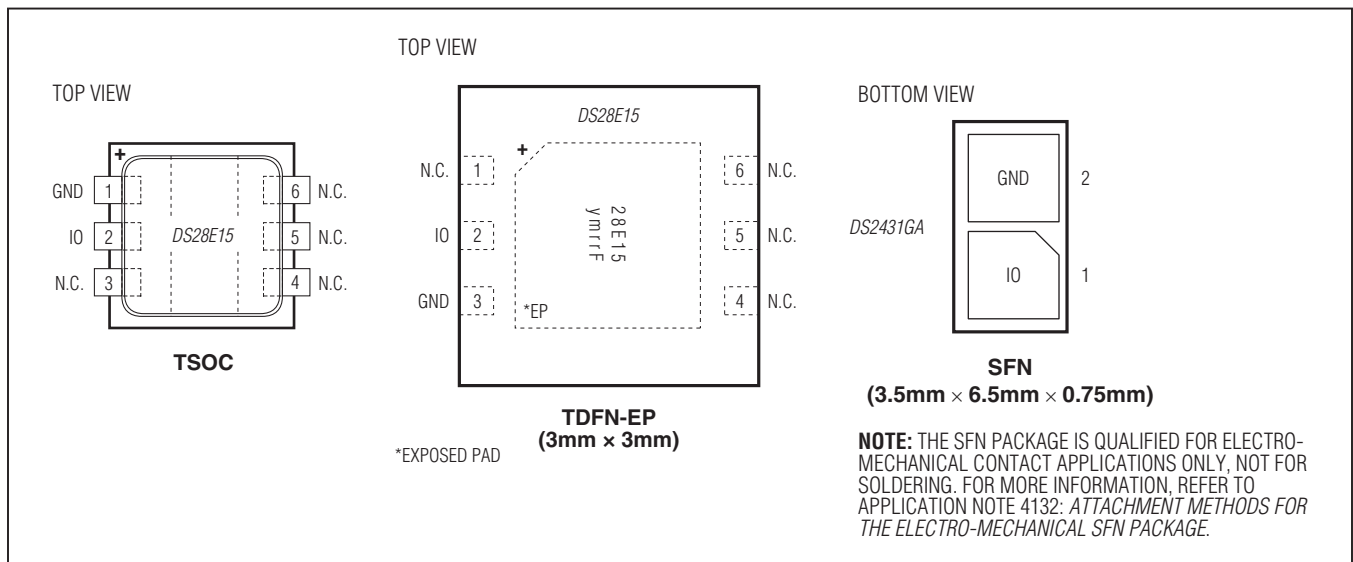
ELECTRICAL CHARACTERISTICS (continued)

(T_A = -40°C to +85°C, unless otherwise noted.) (Note 1)

Note 24: EEPROM writes can become nonfunctional after the data-retention time is exceeded. Long-term storage at elevated temperatures is not recommended.

Note 25: Refer to the full data sheet.

Pin Configurations



Pin Descriptions

| PIN | | | NAME | FUNCTION |
|-----|------------|------|------|--|
| SFN | TDFN-EP | TSOC | | |
| — | 1, 4, 5, 6 | 3– 6 | N.C. | Not Connected |
| 1 | 2 | 2 | IO | 1-Wire Bus Interface. Open-drain signal that requires an external pullup resistor. |
| 2 | 3 | 1 | GND | Ground Reference |
| — | — | — | EP | Exposed Pad (TDFN Only). Solder evenly to the board's ground plane for proper operation. Refer to Application Note 3273: <i>Exposed Pads: A Brief Introduction</i> for additional information. |

ABRIDGED DATA SHEET

DS28E15

1-Wire SHA-256 Secure Authenticator with 512-Bit User EEPROM

Note to readers: This document is an abridged version of the full data sheet. Additional device information is available only in the full version of the data sheet. To request the full data sheet, go to www.maxim-ic.com/DS28E15 and click on **Request Full Data Sheet**.

Ordering Information

| PART | TEMP RANGE | PIN-PACKAGE |
|------------|----------------|--------------------------|
| DS28E15G+ | -40°C to +85°C | 2 SFN |
| DS28E15G+T | -40°C to +85°C | 2 SFN (2.5k pcs) |
| DS28E15Q+T | -40°C to +85°C | 6 TDFN-EP* (2.5k pcs) |
| DS28E15P+ | -40°C to +85°C | 6 TSOC |
| DS28E15P+T | -40°C to +85°C | 6 TSOC (4k pcs) |

+Denotes a lead(Pb)-free/RoHS-compliant package.

T = Tape and reel.

*EP = Exposed pad.

Package Information

For the latest package outline information and land patterns (footprints), go to www.maxim-ic.com/packages. Note that a "+", "#", or "-" in the package code indicates RoHS status only. Package drawings may show a different suffix character, but the drawing pertains to the package regardless of RoHS status.

| PACKAGE TYPE | PACKAGE CODE | OUTLINE NO. | LAND PATTERN NO. |
|--------------|--------------|-------------------------|-------------------------|
| 2 SFN | T23A6N+1 | 21-0575 | — |
| 6 TDFN-EP | T633+2 | 21-0137 | 90-0058 |
| 6 TSOC | D6+1 | 21-0382 | 90-0321 |

ABRIDGED DATA SHEET

DS28E15

1-Wire SHA-256 Secure Authenticator with 512-Bit User EEPROM

Revision History

| REVISION NUMBER | REVISION DATE | DESCRIPTION | PAGES CHANGED |
|-----------------|---------------|-----------------|---------------|
| 0 | 6/12 | Initial release | — |

Maxim cannot assume responsibility for use of any circuitry other than circuitry entirely embodied in a Maxim product. No circuit patent licenses are implied. Maxim reserves the right to change the circuitry and specifications without notice at any time. The parametric values (min and max limits) shown in the Electrical Characteristics table are guaranteed. Other parametric values quoted in this data sheet are provided for guidance.

Maxim Integrated Products, Inc. 160 Rio Robles, San Jose, CA 95134 USA 1-408-601-1000 _____ 43

Компания «Океан Электроники» предлагает заключение долгосрочных отношений при поставках импортных электронных компонентов на взаимовыгодных условиях!

Наши преимущества:

- Поставка оригинальных импортных электронных компонентов напрямую с производств Америки, Европы и Азии, а так же с крупнейших складов мира;
- Широкая линейка поставок активных и пассивных импортных электронных компонентов (более 30 млн. наименований);
- Поставка сложных, дефицитных, либо снятых с производства позиций;
- Оперативные сроки поставки под заказ (от 5 рабочих дней);
- Экспресс доставка в любую точку России;
- Помощь Конструкторского Отдела и консультации квалифицированных инженеров;
- Техническая поддержка проекта, помощь в подборе аналогов, поставка прототипов;
- Поставка электронных компонентов под контролем ВП;
- Система менеджмента качества сертифицирована по Международному стандарту ISO 9001;
- При необходимости вся продукция военного и аэрокосмического назначения проходит испытания и сертификацию в лаборатории (по согласованию с заказчиком);
- Поставка специализированных компонентов военного и аэрокосмического уровня качества (Xilinx, Altera, Analog Devices, Intersil, Interpoint, Microsemi, Actel, Aeroflex, Peregrine, VPT, Syfer, Eurofarad, Texas Instruments, MS Kennedy, Miteq, Cobham, E2V, MA-COM, Hittite, Mini-Circuits, General Dynamics и др.);

Компания «Океан Электроники» является официальным дистрибьютором и эксклюзивным представителем в России одного из крупнейших производителей разъемов военного и аэрокосмического назначения «JONHON», а так же официальным дистрибьютором и эксклюзивным представителем в России производителя высокотехнологичных и надежных решений для передачи СВЧ сигналов «FORSTAR».



JONHON

«JONHON» (основан в 1970 г.)

Разъемы специального, военного и аэрокосмического назначения:

(Применяются в военной, авиационной, аэрокосмической, морской, железнодорожной, горно- и нефтедобывающей отраслях промышленности)

«FORSTAR» (основан в 1998 г.)

ВЧ соединители, коаксиальные кабели,
кабельные сборки и микроволновые компоненты:

(Применяются в телекоммуникациях гражданского и специального назначения, в средствах связи, РЛС, а так же военной, авиационной и аэрокосмической отраслях промышленности).



Телефон: 8 (812) 309-75-97 (многоканальный)

Факс: 8 (812) 320-03-32

Электронная почта: ocean@oceanchips.ru

Web: <http://oceanchips.ru/>

Адрес: 198099, г. Санкт-Петербург, ул. Калинина, д. 2, корп. 4, лит. А