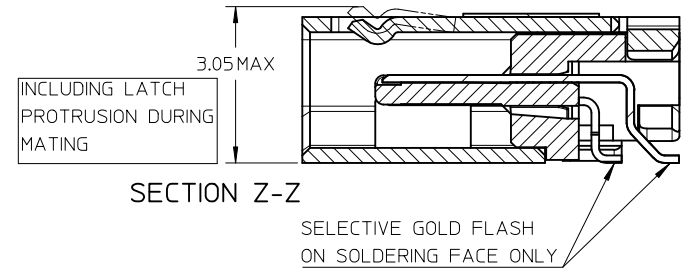
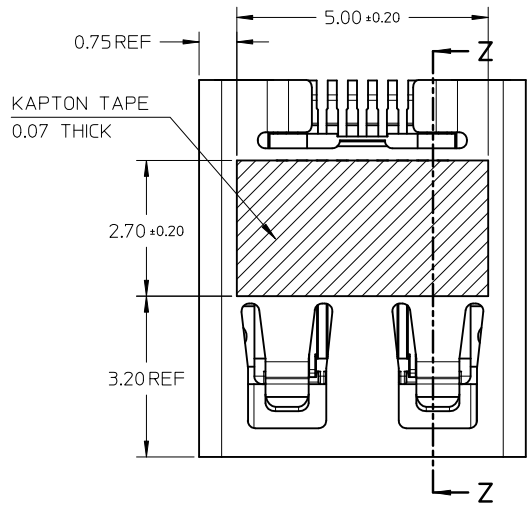
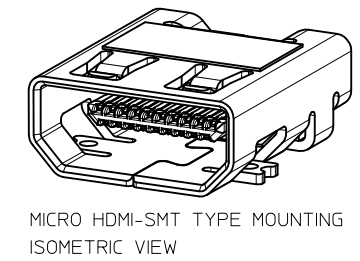
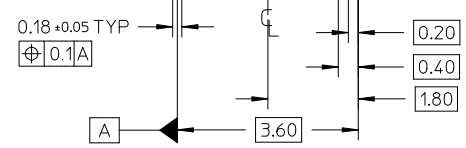


D	PG4/5,modify keepout zone.pg1,2,3/5 add blackhsg p/n	28.Nov.2011
REV NO	DESCRIPTION	DATE



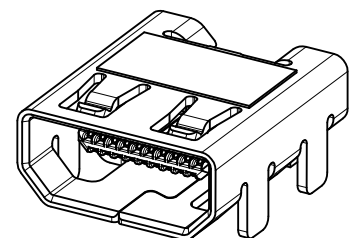
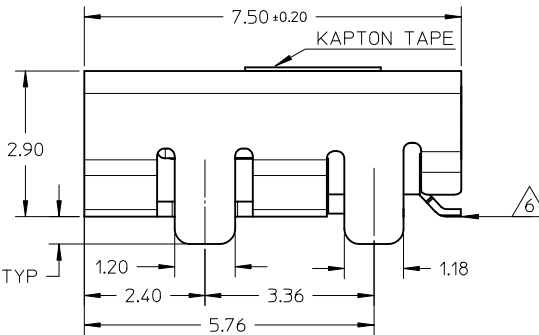
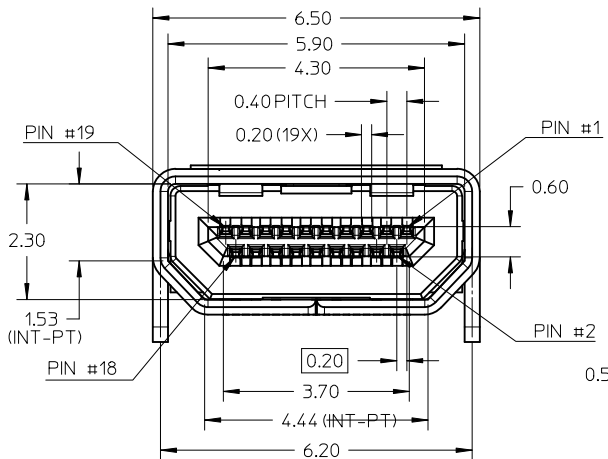
- NOTES:
- MATERIALS:
HOUSING: LCP, 30% GLASS FILLED, UL94V-0
TERMINALS: COPPER ALLOY
SHIELD: STAINLESS STEEL
 - FINISHES:
TERMINALS: GOLD ON CONTACT AREA (Refer Table),
0.05UM MIN GOLD FLASH ON SOLDER TAILS,
AND 2.0UM MIN NICKEL UNDERPLATE OVERALL
SHIELD: MATTE TIN (Refer Table) OVER 1.27UM MIN NICKEL
 - PRODUCT SPECIFICATION: PS-46765-001
 - PACKAGING SPECIFICATION: PACKED IN TAPE & REEL
 - SEE SHEET 4 OF 5 FOR RECOMMENDED PCB LAYOUT
 - TERMINAL SOLDER-TAIL COPLANARITY 0.08 MAX

F
E
D
C
B
A

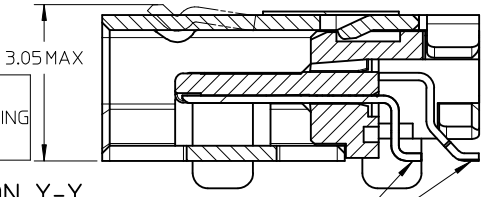


DESCRIPTION	Contact: 0.76µM Gold Min Shield: 3.8µM Tin Min PART NUMBER	Contact: 0.38µM Gold Min Shield: 2.0µM Tin Min PART NUMBER
SMT TYPE+KAPTON TAPE	46765-0001	46765-0301
SMT TYPE+BLACK HSG+KAPTON TAPE	--	46765-0302
SMT TYPE	46765-0011	46765-0311
SMT TYPE+BLACK HSG	--	46765-0312

RELEASED EC NO: S2012-0444 DRWN: CWANG25 2011/10/24 CH'K'D: JKOH 2011/12/02 APPR: NAGESHKN 2011/12/02	QUALITY SYMBOLS ▽=0 ▽=0	GENERAL TOLERANCES (UNLESS SPECIFIED) mm INCH 4 PLACES ± --- ± --- 3 PLACES ± --- ± --- 2 PLACES ± 0.1 ± --- 1 PLACE ± --- ± --- ANGULAR ± 2 °	DIMENSION STYLE MM ONLY DRAWN BY DATE MKAMARAU 2008/10/14 CHECKED BY DATE MKAMARAU 2008/10/14 APPROVED BY DATE NAGESHKN 2010/11/19 MATERIAL NO.	SCALE NTS DESIGN UNITS METRIC THIRD ANGLE PROJECTION	TITLE MICRO HDMI, TYPE-D 0.4MM PITCH, 19CKT RECEPTACLE CONNECTOR MOLEX INCORPORATED DOCUMENT NO. SD-46765-001 SHEET NO. 1 OF 5
	DRAFT WHERE APPLICABLE MUST REMAIN WITHIN DIMENSIONS	SIZE A3 THIS DRAWING CONTAINS INFORMATION THAT IS PROPRIETARY TO MOLEX INCORPORATED AND SHOULD NOT BE USED WITHOUT WRITTEN PERMISSION			



MICRO HDMI-THRU HOLE TYPE MOUNTING ISOMETRIC VIEW



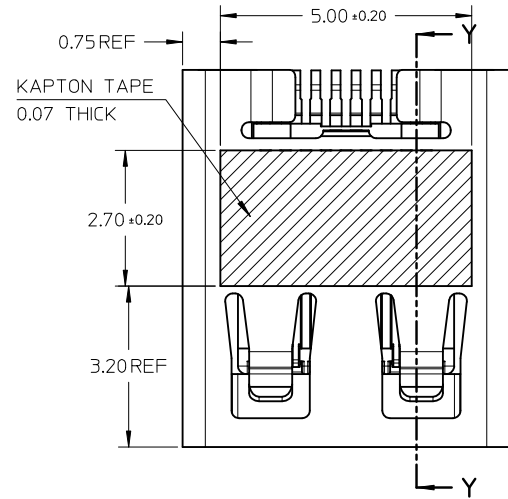
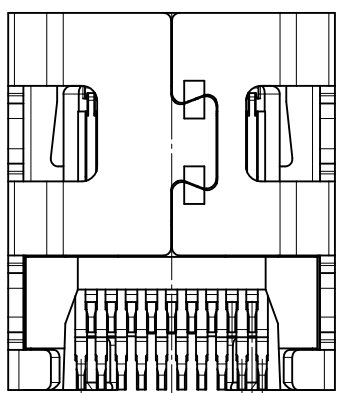
SECTION Y-Y

INCLUDING LATCH PROTRUSION DURING MATING

SELECTIVE GOLD FLASH ON SOLDERING FACE ONLY

NOTES:

1. MATERIALS:
HOUSING: LCP, 30% GLASS FILLED, UL94V-0
TERMINALS: COPPER ALLOY
SHIELD: STAINLESS STEEL
2. FINISHES:
TERMINALS: GOLD ON CONTACT AREA (Refer Table),
0.05UM MIN GOLD FLASH ON SOLDER TAILS,
AND 2.0UM MIN NICKEL UNDERPLATE OVERALL
SHIELD: MATTE TIN (Refer Table) OVER 1.27UM MIN NICKEL
3. PRODUCT SPECIFICATION: PS-46765-001
4. PACKAGING SPECIFICATION: PACKED IN TAPE & REEL
5. SEE SHEET 4 OF 5 FOR RECOMMENDED PCB LAYOUT
6. TERMINAL SOLDER-TAIL COPLANARITY 0.08 MAX



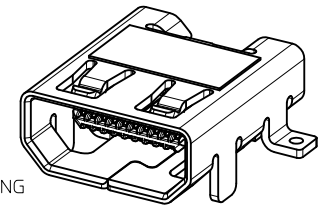
DESCRIPTION	Contact: 0.76µM Gold Min Shield: 3.8µM Tin Min PART NUMBER	Contact: 0.38µM Gold Min Shield: 2.0µM Tin Min PART NUMBER
THRU HOLE TYPE+KAPTON TAPE	46765-1001	46765-1301
THRU HOLE TYPE+BLACK HSG+KAPTON TAPE	--	46765-1302
THRU HOLE TYPE	46765-1011	46765-1311
THRU HOLE TYPE+BLACK HSG	--	46765-1312

RELEASED
EC NO: S2012-0444
DRWN: CWANG25
CHKD: JKOH
APPR: NAGESHK N
2011/10/24
2011/12/02
2011/12/02

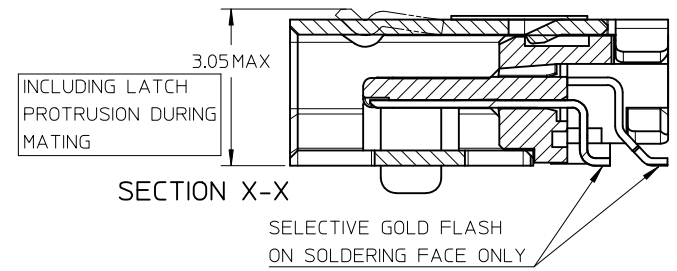
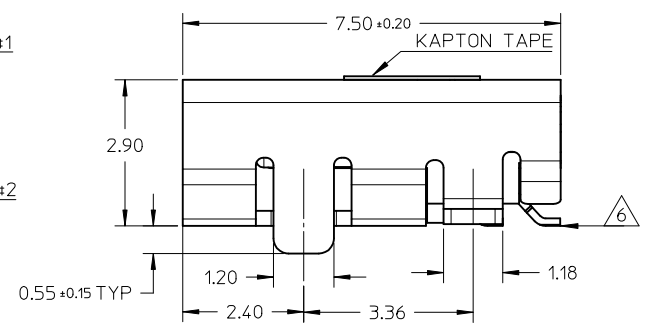
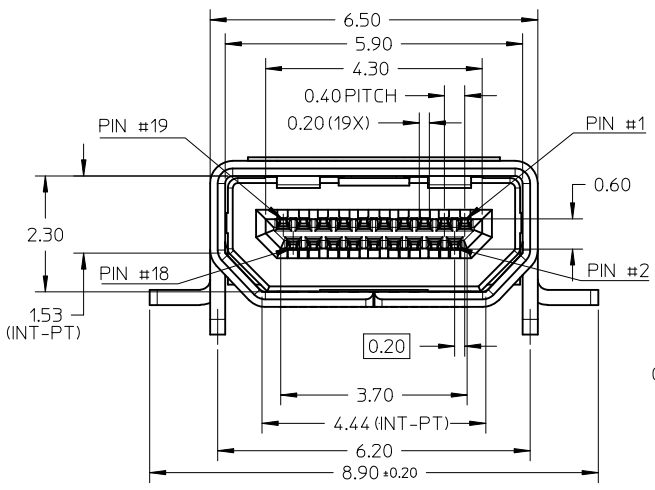
QUALITY SYMBOLS	GENERAL TOLERANCES (UNLESS SPECIFIED)	
	mm	INCH
▽=0	4 PLACES ± ---	± ---
◻=0	3 PLACES ± ---	± ---
	2 PLACES ± 0.1	± ---
	1 PLACE ± ---	± ---
	ANGULAR ± 2 °	
	DRAFT WHERE APPLICABLE MUST REMAIN WITHIN DIMENSIONS	

DIMENSION STYLE		SCALE	DESIGN UNITS	THIRD ANGLE PROJECTION
MM ONLY		NTS	METRIC	☉
DRAWN BY	DATE	TITLE		
MKAMARAU	2008/10/14	MICRO HDMI, TYPE-D		
CHECKED BY	DATE	0.4MM PITCH, 19CKT		
MKAMARAU	2008/10/14	RECEPTACLE CONNECTOR		
APPROVED BY	DATE	MOLEX INCORPORATED		
NAGESHK N	2010/11/19	MOLEX INCORPORATED		
MATERIAL NO.	DOCUMENT NO.	SHEET NO.		
SEE TABLE	SD-46765-001	2 OF 5		

DRAWN BY		DATE	TITLE	
MKAMARAU		2008/10/14	MICRO HDMI, TYPE-D	
CHECKED BY		DATE	0.4MM PITCH, 19CKT	
MKAMARAU		2008/10/14	RECEPTACLE CONNECTOR	
APPROVED BY		DATE	MOLEX INCORPORATED	
NAGESHK N		2010/11/19	MOLEX INCORPORATED	
MATERIAL NO.	DOCUMENT NO.	SHEET NO.		
SEE TABLE	SD-46765-001	2 OF 5		

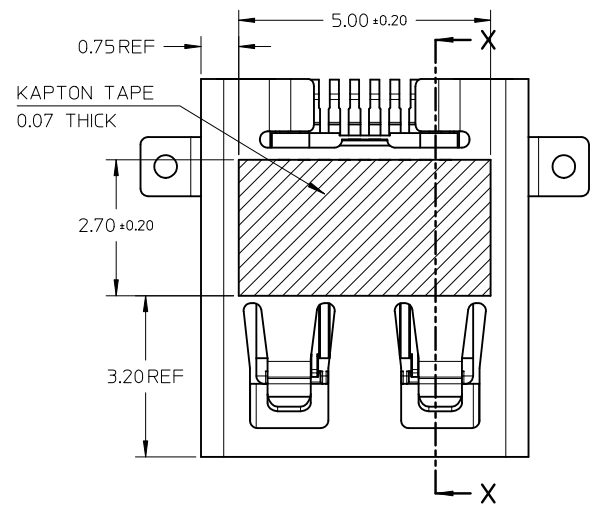
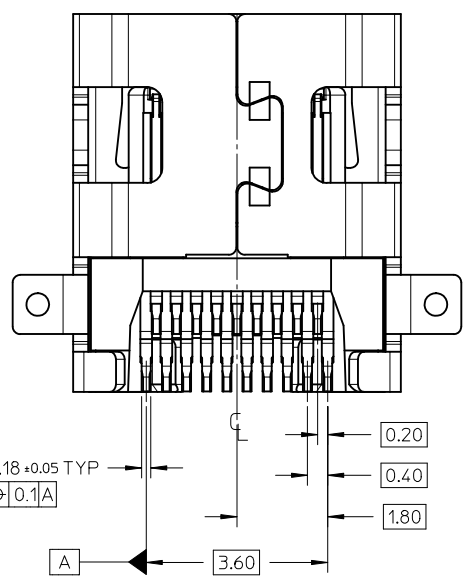


MICRO HDMI
HYBRID TYPE MOUNTING



NOTES:

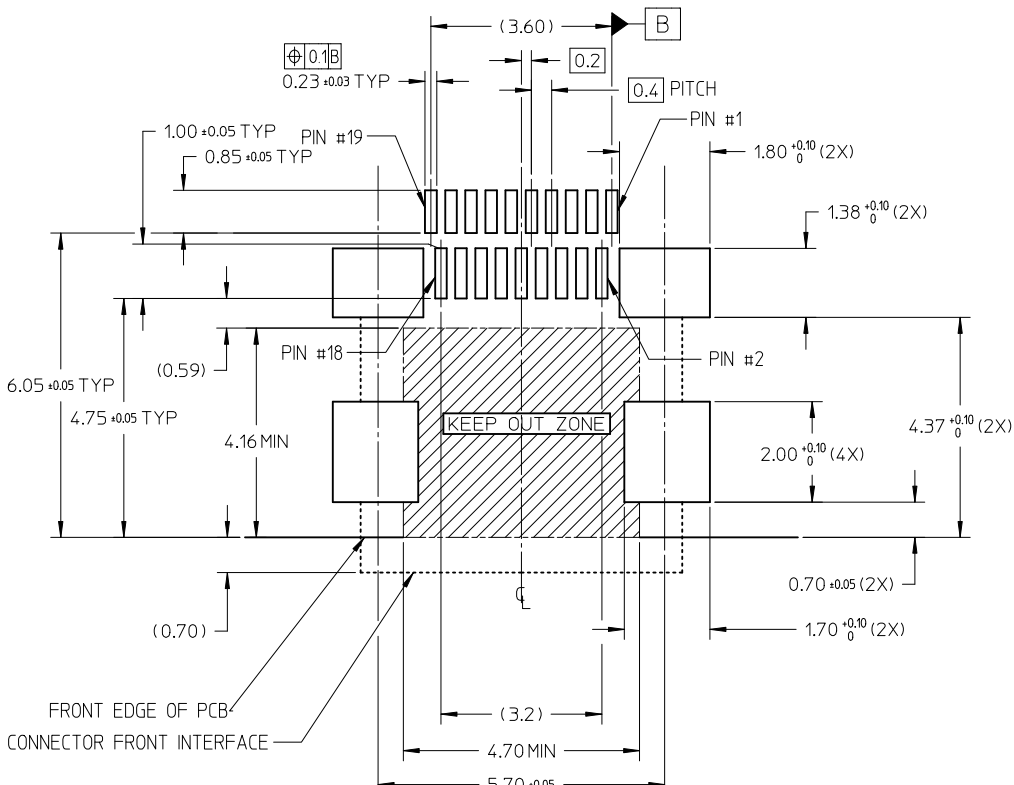
- MATERIALS:
HOUSING: LCP, 30% GLASS FILLED, UL94V-0
TERMINALS: COPPER ALLOY
SHIELD: STAINLESS STEEL
- FINISHES:
TERMINALS: GOLD ON CONTACT AREA (Refer Table),
0.05UM MIN GOLD FLASH ON SOLDER TAILS,
AND 2.0UM MIN NICKEL UNDERPLATE OVERALL
SHIELD: MATTE TIN (Refer Table) OVER 1.27UM MIN NICKEL
- PRODUCT SPECIFICATION: PS-46765-001
- PACKAGING SPECIFICATION: PACKED IN TAPE & REEL
- SEE SHEET 4 OF 5 FOR RECOMMENDED PCB LAYOUT
- TERMINAL SOLDER-TAIL COPLANARITY 0.08 MAX



DESCRIPTION	Contact: 0.764M Gold Min Shield: 3.84M Tin Min PART NUMBER	Contact: 0.384M Gold Min Shield: 2.04M Tin Min PART NUMBER
HYBRID TYPE+KAPTON TAPE	46765-2001	46765-2301
HYBRID TYPE+BLACK HOUSING+KAPTON TAPE	46765-2021	46765-2302
HYBRID TYPE	46765-2011	46765-2311
HYBRID TYPE+BLACK HSG	--	46765-2312

RELEASED EC NO: S2012-0444 DRWN: CWANG25 2011/10/24 CHYK: KJKOH 2011/12/02 APPR: NAGESHKIN 2011/12/02	QUALITY SYMBOLS	GENERAL TOLERANCES (UNLESS SPECIFIED)	DIMENSION STYLE	SCALE	DESIGN UNITS	THIRD ANGLE PROJECTION
	▼ = 0 ◻ = 0	mm INCH 4 PLACES ± --- ± --- 3 PLACES ± --- ± --- 2 PLACES ± 0.1 ± --- 1 PLACE ± --- ± --- ANGULAR ± 2 °	MM ONLY	NTS	METRIC	
	DESCRIPTION	DRAFT WHERE APPLICABLE MUST REMAIN WITHIN DIMENSIONS	DRAWN BY: MKAMARAU DATE: 2008/10/14 CHECKED BY: MKAMARAU DATE: 2008/10/14 APPROVED BY: NAGESHKIN DATE: 2010/11/19	TITLE	MICRO HDMI, TYPE-D 0.4MM PITCH, 19CKT RECEPTACLE CONNECTOR	
	REV		MATERIAL NO.	DOCUMENT NO.	MOLEX INCORPORATED SD-46765-001	

SIZE A3 THIS DRAWING CONTAINS INFORMATION THAT IS PROPRIETARY TO MOLEX INCORPORATED AND SHOULD NOT BE USED WITHOUT WRITTEN PERMISSION

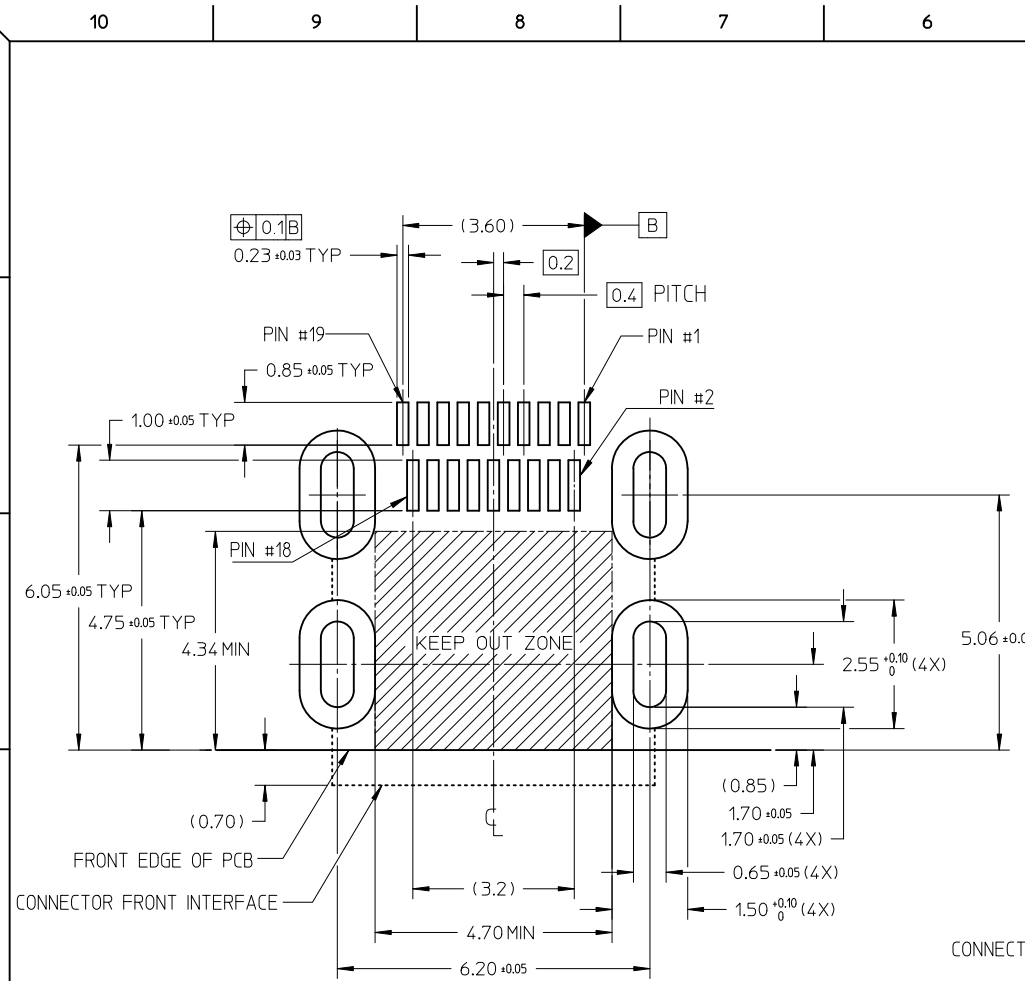


RECOMMENDED PCB LAYOUT
 COMPONENT SIDE OF BOARD
 SHEET 1 OF 5

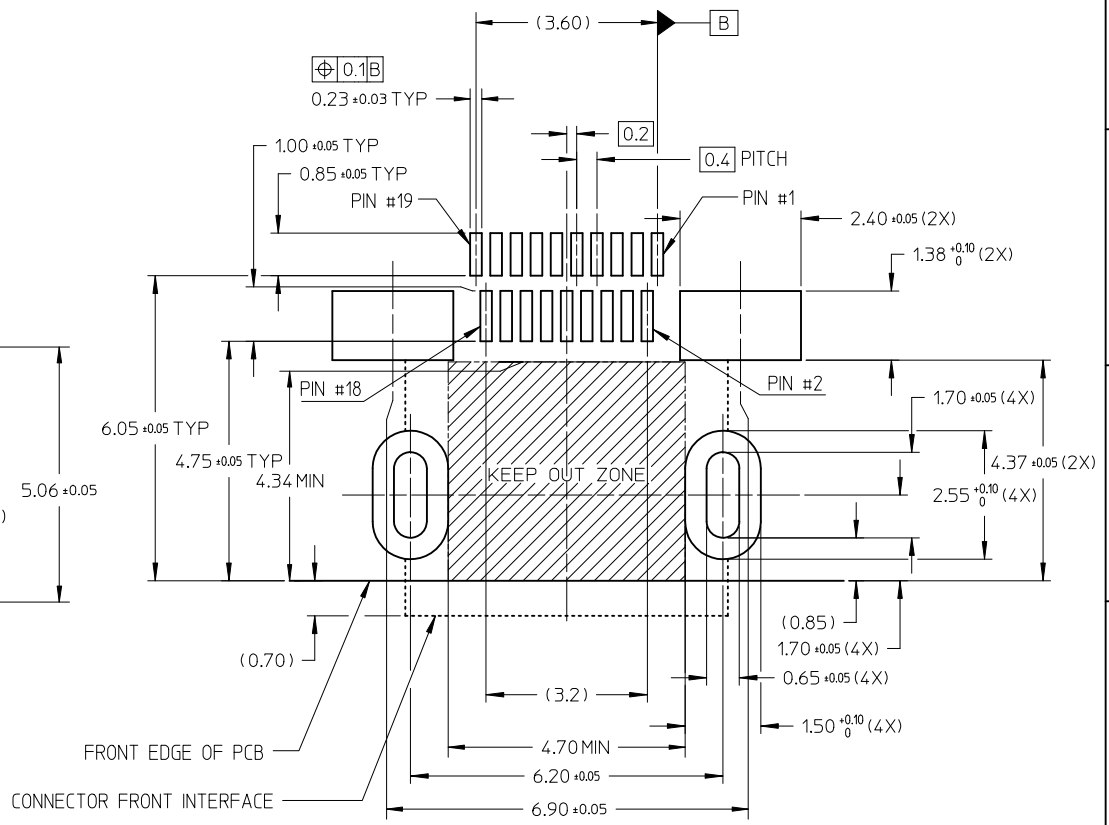
PIN	SIGNAL ASSIGNMENT
1	Hot Plug Detect
2	Utility
3	TMDS Data2+
4	TMDS Data2- Shield
5	TMDS Data2-
6	TMDS Data1+
7	TMDS Data1- Shield
8	TMDS Data1-
9	TMDS Data0+
10	TMDS Data0- Shield
11	TMDS Data0-
12	TMDS Clock+
13	TMDS Clock- Shield
14	TMDS Clock-
15	CEC
16	DDC/CEC Ground
17	SCL
18	SDA
19	+5V Power

CONNECTION	SIGNALS
	TYPE D CONNECTOR
FIRST MAKE	CONNECTOR SHELL
SECOND MAKE	PINS 1 - 18
THIRD MAKE	PIN 19 (+5V POWER)

RELEASED EC NO: S2012-0444 DRWN: CWANG25 CHKD: KJKOH APPR: NAGESHKN	2011/10/24 2011/12/02 2011/12/02	QUALITY SYMBOLS ▽=0 ⊕=0	GENERAL TOLERANCES (UNLESS SPECIFIED)		DIMENSION STYLE MM ONLY		SCALE NTS	DESIGN UNITS METRIC	THIRD ANGLE PROJECTION		
				4 PLACES ± --- ± --- 3 PLACES ± --- ± --- 2 PLACES ± 0.1 ± --- 1 PLACE ± --- ± ---	DRAWN BY MKAMARAU	DATE 2008/10/14	TITLE MICRO HDMI, TYPE-D 0.4MM PITCH, 19CKT RECEPTACLE CONNECTOR				
				ANGULAR ± 2 °	CHECKED BY MKAMARAU	DATE 2008/10/14	MOLEX INCORPORATED				
				DRAFT WHERE APPLICABLE MUST REMAIN WITHIN DIMENSIONS	APPROVED BY NAGESHKN	DATE 2010/11/19	MATERIAL NO. SEE TABLE	DOCUMENT NO. SD-46765-001	SHEET NO. 4 OF 5		



RECOMMENDED PCB LAYOUT
COMPONENT SIDE OF BOARD
SHEET 2 OF 5



RECOMMENDED PCB LAYOUT
COMPONENT SIDE OF BOARD
SHEET 3 OF 5

RELEASED EC NO: S2012-0444 DRWN: CWANG25 2011/10/24 CHKD: KJKOH 2011/12/02 APPR: NAGESHKN 2011/12/02	DESCRIPTION MICRO HDMI, TYPE-D 0.4MM PITCH, 19CKT RECEPTACLE CONNECTOR	QUALITY SYMBOLS		GENERAL TOLERANCES (UNLESS SPECIFIED)		DIMENSION STYLE		SCALE	DESIGN UNITS	THIRD ANGLE PROJECTION		
		$\nabla = 0$ $\square = 0$		mm INCH		MM ONLY		NTS	METRIC			
		4 PLACES		± ---	± ---	DRAWN BY		DATE	TITLE			
		3 PLACES		± ---	± ---	MKAMARAU		2008/10/14	SD-46765-001			
2 PLACES		± 0.1	± ---	CHECKED BY		DATE	MOLEX INCORPORATED					
1 PLACE		± ---	± ---	MKAMARAU		2008/10/14	DOCUMENT NO.					
ANGULAR ± 2 °				APPROVED BY		DATE	SD-46765-001					
				NAGESHKN		2010/11/19	SHEET NO.					
DRAFT WHERE APPLICABLE MUST REMAIN WITHIN DIMENSIONS				MATERIAL NO.		5 OF 5						
				SEE TABLE		THIS DRAWING CONTAINS INFORMATION THAT IS PROPRIETARY TO MOLEX INCORPORATED AND SHOULD NOT BE USED WITHOUT WRITTEN PERMISSION						
				SIZE								
				A3								

Компания «Океан Электроники» предлагает заключение долгосрочных отношений при поставках импортных электронных компонентов на взаимовыгодных условиях!

Наши преимущества:

- Поставка оригинальных импортных электронных компонентов напрямую с производств Америки, Европы и Азии, а так же с крупнейших складов мира;
- Широкая линейка поставок активных и пассивных импортных электронных компонентов (более 30 млн. наименований);
- Поставка сложных, дефицитных, либо снятых с производства позиций;
- Оперативные сроки поставки под заказ (от 5 рабочих дней);
- Экспресс доставка в любую точку России;
- Помощь Конструкторского Отдела и консультации квалифицированных инженеров;
- Техническая поддержка проекта, помощь в подборе аналогов, поставка прототипов;
- Поставка электронных компонентов под контролем ВП;
- Система менеджмента качества сертифицирована по Международному стандарту ISO 9001;
- При необходимости вся продукция военного и аэрокосмического назначения проходит испытания и сертификацию в лаборатории (по согласованию с заказчиком);
- Поставка специализированных компонентов военного и аэрокосмического уровня качества (Xilinx, Altera, Analog Devices, Intersil, Interpoint, Microsemi, Actel, Aeroflex, Peregrine, VPT, Syfer, Eurofarad, Texas Instruments, MS Kennedy, Miteq, Cobham, E2V, MA-COM, Hittite, Mini-Circuits, General Dynamics и др.);

Компания «Океан Электроники» является официальным дистрибьютором и эксклюзивным представителем в России одного из крупнейших производителей разъемов военного и аэрокосмического назначения «JONHON», а так же официальным дистрибьютором и эксклюзивным представителем в России производителя высокотехнологичных и надежных решений для передачи СВЧ сигналов «FORSTAR».



JONHON

«JONHON» (основан в 1970 г.)

Разъемы специального, военного и аэрокосмического назначения:

(Применяются в военной, авиационной, аэрокосмической, морской, железнодорожной, горно- и нефтедобывающей отраслях промышленности)

«FORSTAR» (основан в 1998 г.)

ВЧ соединители, коаксиальные кабели,
кабельные сборки и микроволновые компоненты:

(Применяются в телекоммуникациях гражданского и специального назначения, в средствах связи, РЛС, а так же военной, авиационной и аэрокосмической отраслях промышленности).



Телефон: 8 (812) 309-75-97 (многоканальный)

Факс: 8 (812) 320-03-32

Электронная почта: ocean@oceanchips.ru

Web: <http://oceanchips.ru/>

Адрес: 198099, г. Санкт-Петербург, ул. Калинина, д. 2, корп. 4, лит. А