

V4 8318 Sealed High-current 83180 Part number made to order



- IP 67 protection
- Nominal ratings 0.1 A to 10 A / 250 VAC
- Minimum rating 1 mA / 4 VDC
- Operating temperature -40 °C to +125 °C
- Choice of actuators with 2 possible fixing positions

Part numbers

	Type	Function	Connections
MADE TO ORDER	High-current 83180	I (changeover)	W2S

Specifications

Electrical characteristics

Rating nominal / 250 VAC (A)	10
Rating thermal / 250 VAC (A)	12,5

Mechanical characteristics

Maximum operating force (N)	3,4
Min. Release force (N)	1
Maximum total travel force (N)	5
Max. permitted overtravel force (N)	10
Maximum rest position (mm)	9,3
Operating position (mm)	8,4 ±0,3
Maximum differential travel (mm)	0,1
Min. overtravel (mm)	0,6
Ambient operating temperature for blade version (°C)	-40 → +125
Ambient operating temperature for wires/cable version (°C)	-40 → +105
Mechanical life (operations)	10 ⁶
Contact gap (mm)	0,4
Weight (g) (tags version)	2

Comments

* Type 83180 available on request

** Cable version for types 83181, 83183 and 83186

Additional specifications

Components

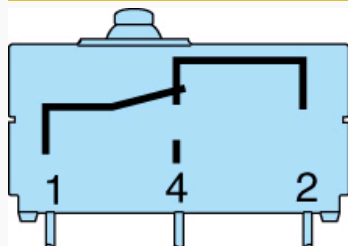
Material

- Case : polyester UL 94VO
- Button : polyester
- Membrane : silicon
- Contacts : AgCdO or AgSnO₂ gold-plated AgNi (dual-current)
- Terminals : silver-plated, tinned brass
- Cable/Lead : PVC

Levers

- Flat : stainless steel
- Roller : stainless steel, polyamide roller

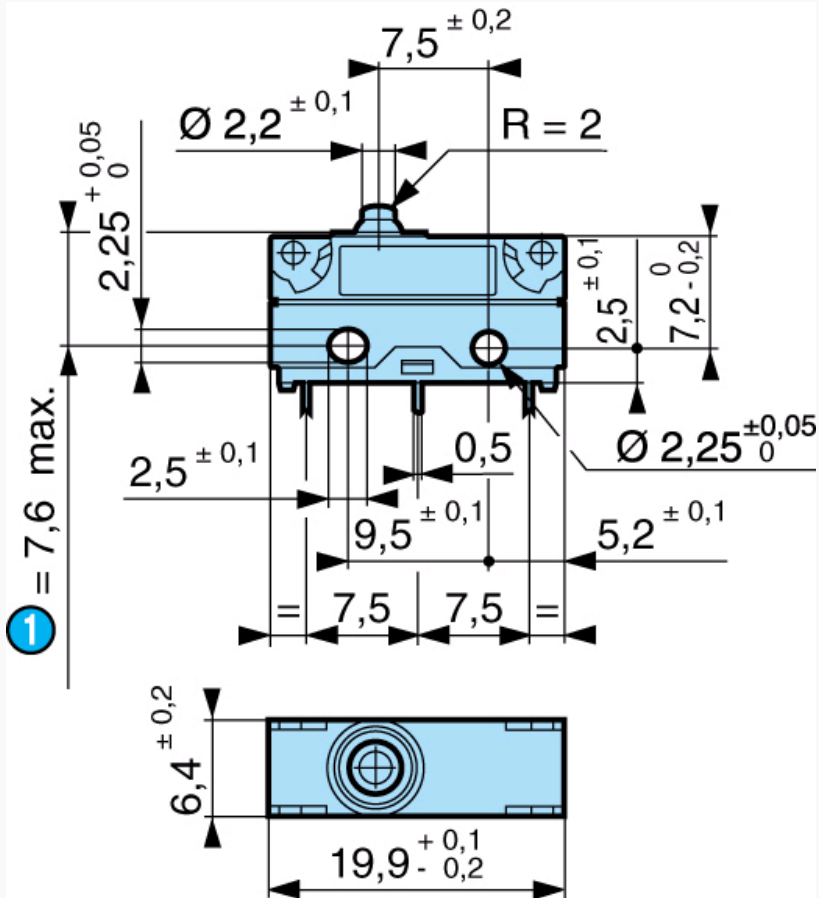
Principles



Dimensions (mm)

Product

Symmetrical version
types 83180 / 181 / 183 / 186

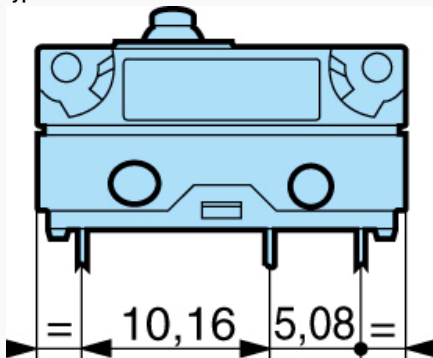


N°	Legend
1	OL = 7.6 max.

Dimensions (mm)

Product

Asymmetrical version
types 83180 / 181 / 183 / 186

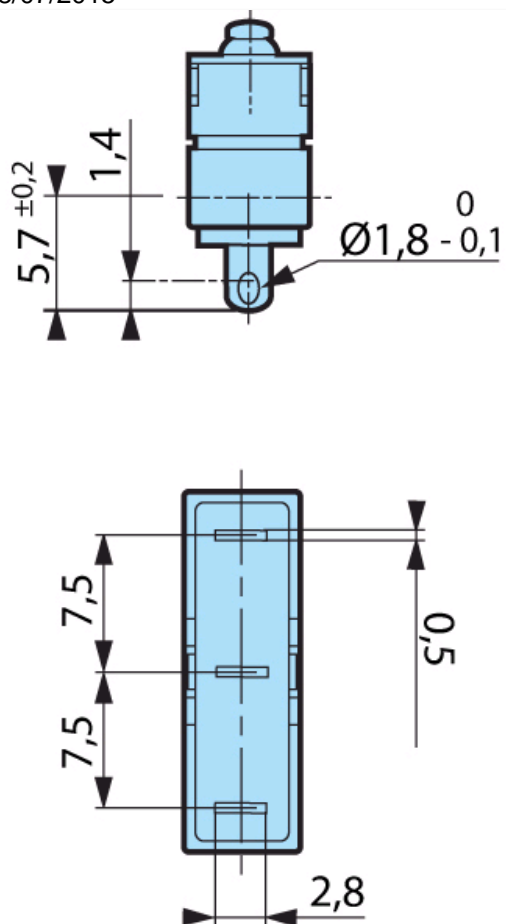


Fixed by 2 M2 screws Torque with screw only : 0.2 Nm, with screw + washer : 0.3 Nm

Dimensions (mm)

Connections

W2S
Solder

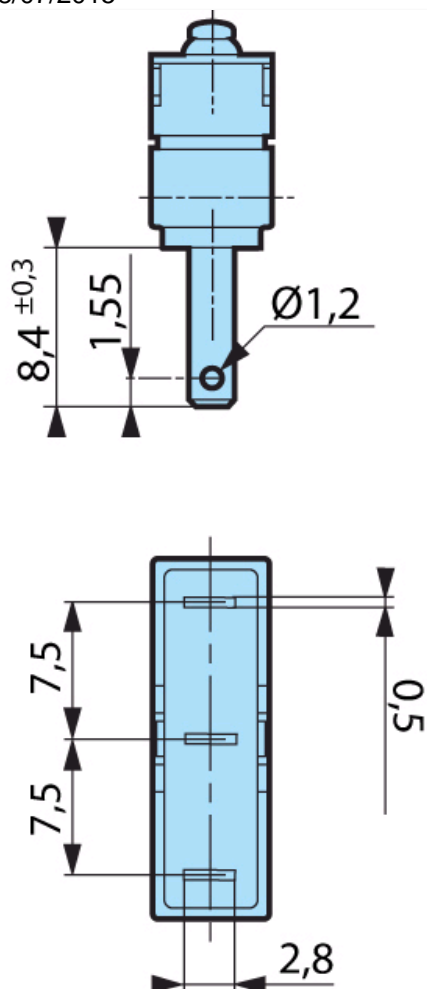


Fixed by 2 M2 screws Torque with screw only : 0.2 Nm, with screw + washer : 0.3 Nm

Dimensions (mm)

Connections

W7S
Faston 2.8 x 0.5

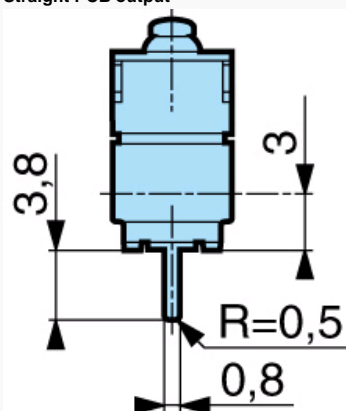


Fixed by 2 M2 screws Torque with screw only : 0.2 Nm, with screw + washer : 0.3 Nm

Dimensions (mm)

Connections

X1A
Straight PCB output

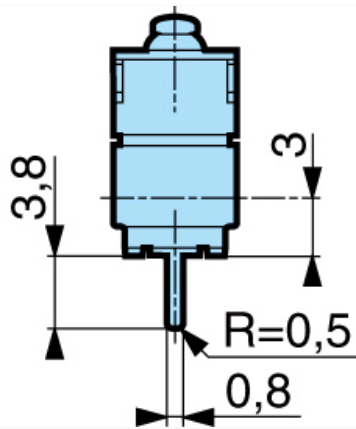


Fixed by 2 M2 screws Torque with screw only : 0.2 Nm, with screw + washer : 0.3 Nm

Dimensions (mm)

Connections

X1S
Straight PCB output



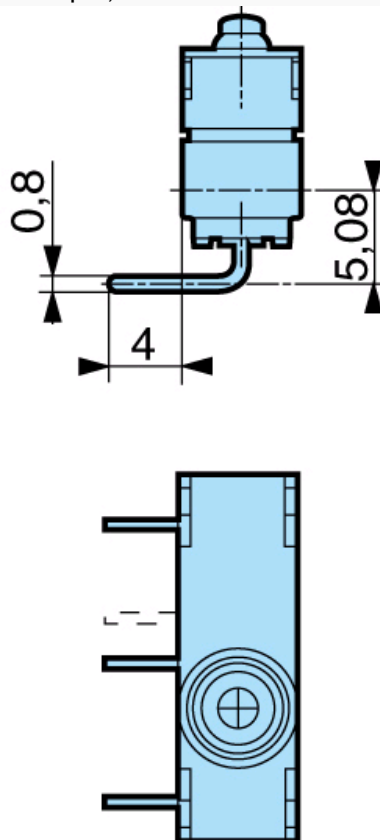
Fixed by 2 M2 screws Torque with screw only : 0.2 Nm, with screw + washer : 0.3 Nm

Dimensions (mm)

Connections

X2A - X2S

Side outputs, PCB rear



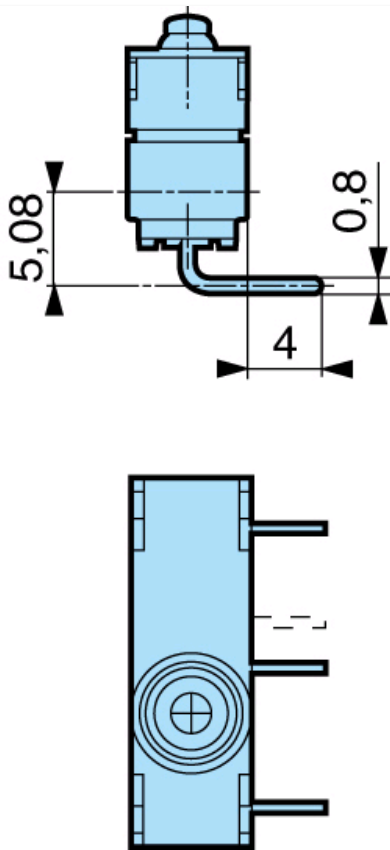
Fixed by 2 M2 screws Torque with screw only : 0.2 Nm, with screw + washer : 0.3 Nm

Dimensions (mm)

Connections

X3A - X3S

Side outputs, PCB front

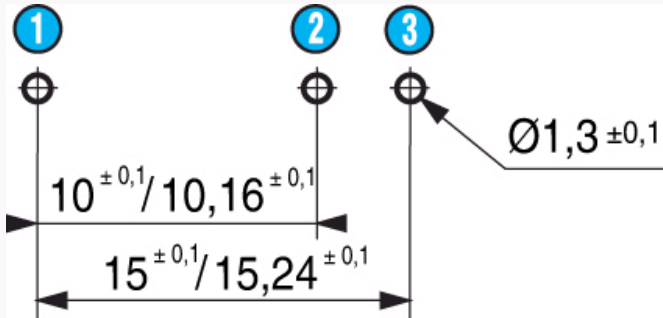


Fixed by 2 M2 screws Torque with screw only : 0.2 Nm, with screw + washer : 0.3 Nm

Dimensions (mm)

Drilling

Printed circuit board mounting
Asymmetrical
X1A, X2A, X3A



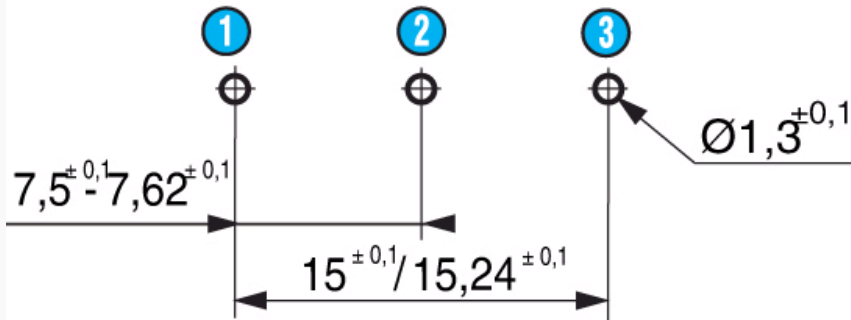
Fixed by 2 M2 screws Torque with screw only : 0.2 Nm, with screw + washer : 0.3 Nm

N°	Legend
1	1.C
2	4.NO
3	2.NC

Dimensions (mm)

Drilling

Printed circuit board mounting
Symmetrical
X1S, X2S, X3S



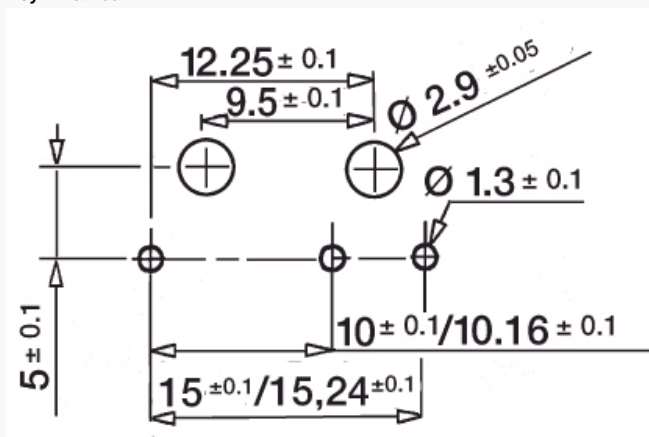
Fixed by 2 M2 screws Torque with screw only : 0.2 Nm, with screw + washer : 0.3 Nm

N°	Legend
1	1.C
2	4.NO
3	2.NC

Dimensions (mm)

Drilling

Mounting on a printed circuit board with fixing pins
Asymmetrical

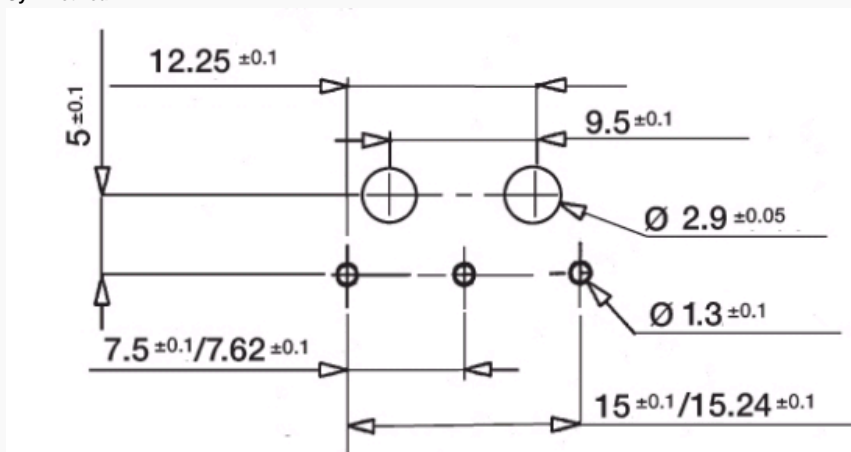


Fixed by 2 M2 screws Torque with screw only : 0.2 Nm, with screw + washer : 0.3 Nm

Dimensions (mm)

Drilling

Mounting on a printed circuit board with fixing pins
Symmetrical



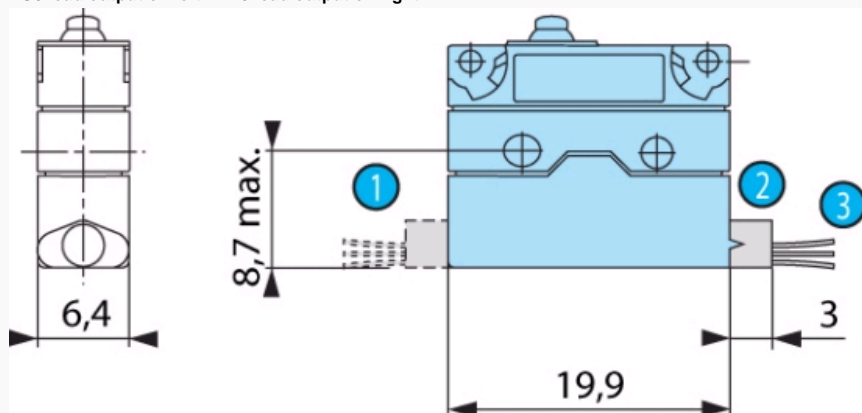
Fixed by 2 M2 screws Torque with screw only : 0.2 Nm, with screw + washer : 0.3 Nm

Dimensions (mm)

Connections

Lead outputs

FG0 lead output on left - FD0 lead output on right

Black = Common Grey = NC Blue = NO Conductor cross-section : 83181 / 83183 / 83186 = 0.5 mm² 83180 = 0.75 mm²

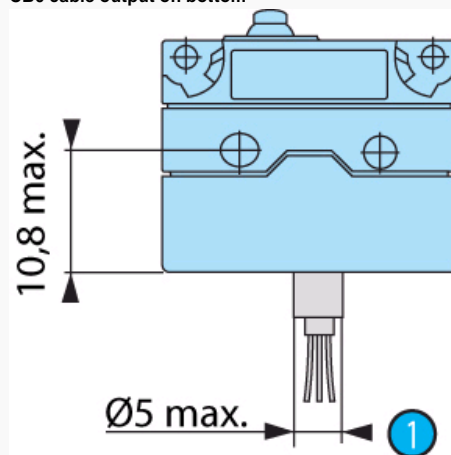
N°	Legend
1	FG0
2	FD0
3	Standard 500 mm

Dimensions (mm)

Connections

Lead/cable output

CB0 cable output on bottom

Black = Common Grey = NC Blue = NO Conductor cross-section : 83181 / 83183 / 83186 = 0.5 mm² 83180 = 0.75 mm²

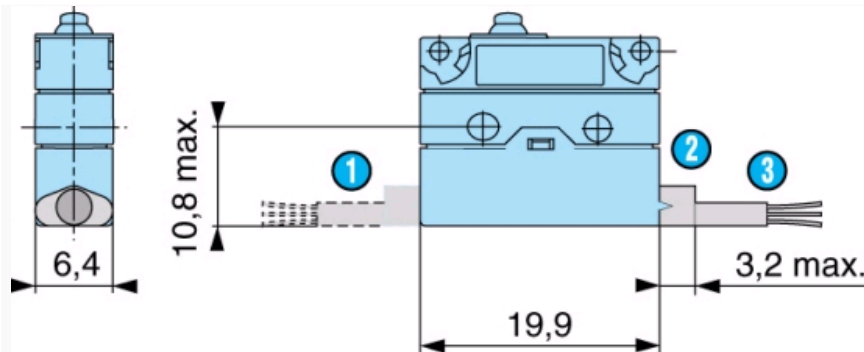
N°	Legend
1	Standard 500 mm

Dimensions (mm)

Connections

Cable outputs

CG0 cable output on left - CD0 cable output on right



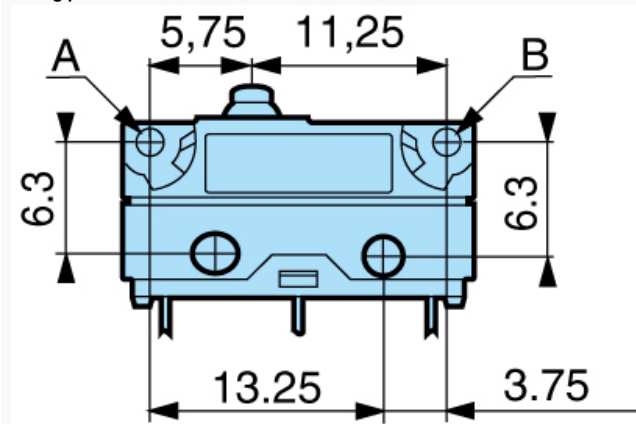
Black = Common Grey = NC Blue = NO Conductor cross-section : 83181 / 83183 / 83186 = 3 x 0,5 mm²

N°	Legend
1	CG0
2	CD0
3	Standard 500 mm

Dimensions (mm)

Actuator mounting positions

Fixing position

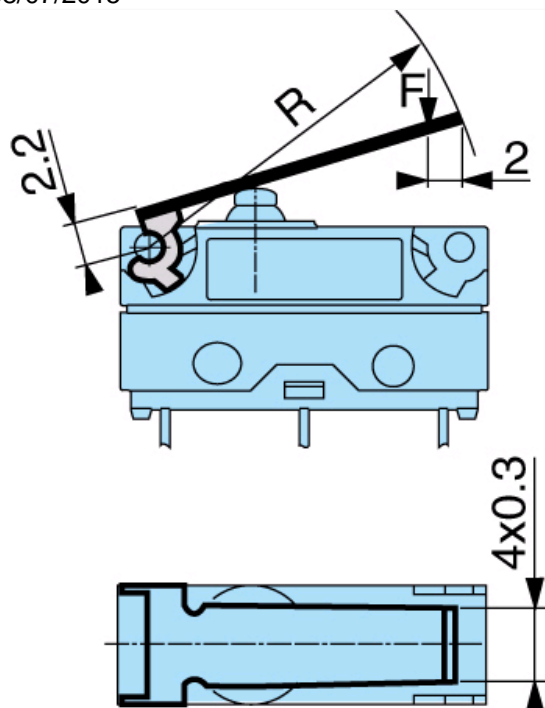


Black = Common Grey = NC Blue = NO Conductor cross-section : 83181 / 83183 / 83186 = 3 x 0,5 mm²

Dimensions (mm)

Actuators

170 A
Flat

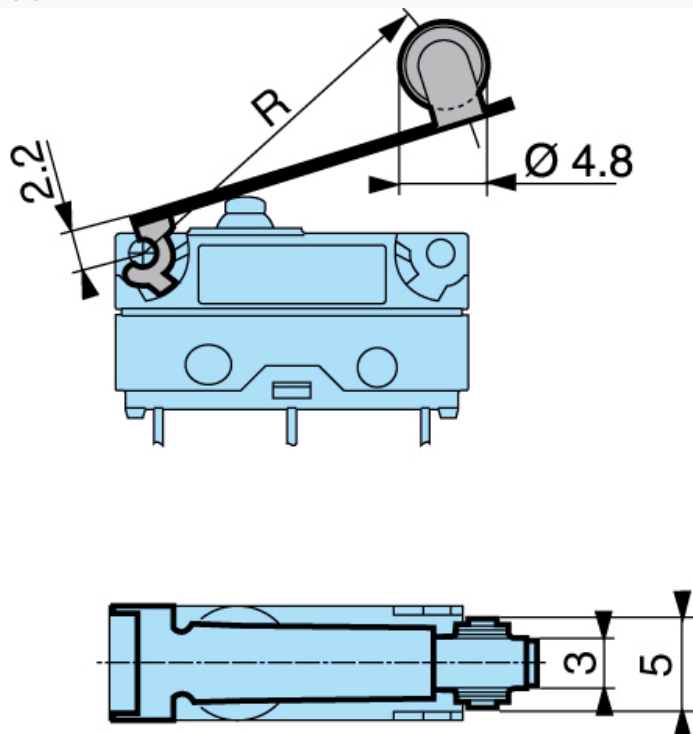


Black = Common Grey = NC Blue = NO Conductor cross-section : 83181 / 83183 / 83186 = 3 x 0.5 mm²

Dimensions (mm)

Actuators

170 E
Roller

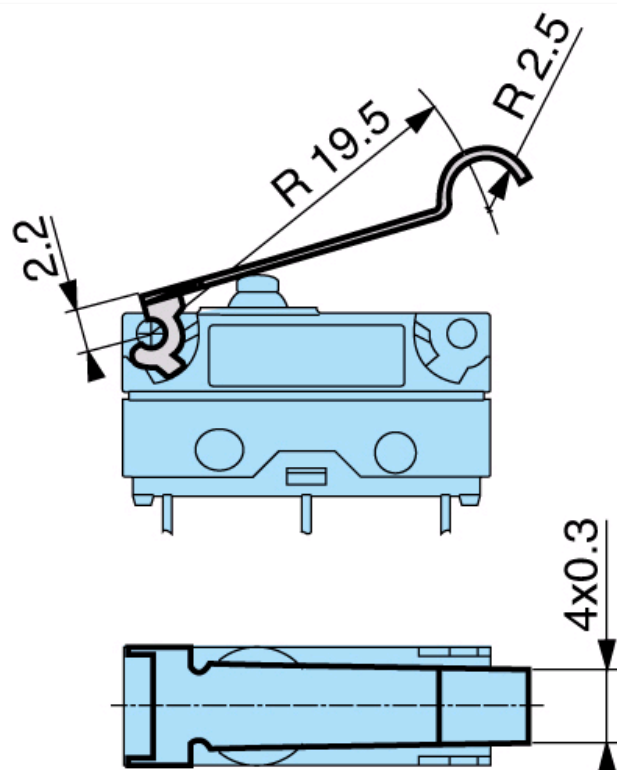


Black = Common Grey = NC Blue = NO Conductor cross-section : 83181 / 83183 / 83186 = 3 x 0.5 mm²

Dimensions (mm)

Actuators

170 F
Dummy roller

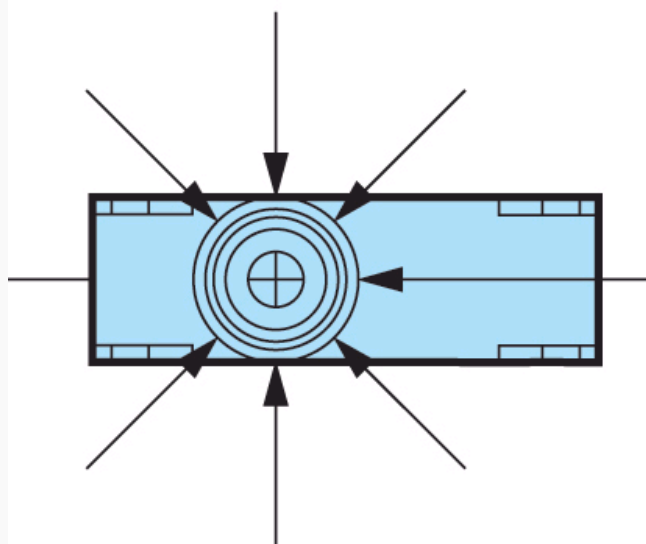
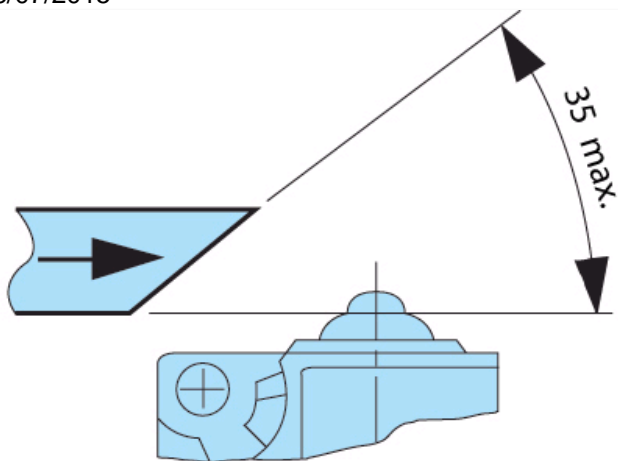


Black = Common Grey = NC Blue = NO Conductor cross-section : 83181 / 83183 / 83186 = 3 x 0.5 mm²

Dimensions (mm)

Actuators

Recommendations for operation from the side

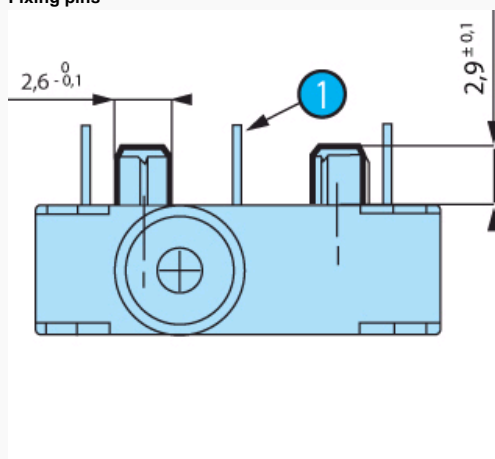


Black = Common Grey = NC Blue = NO Conductor cross-section : 83181 / 83183 / 83186 = 3 x 0.5 mm²

Dimensions (mm)

Mounting accessories

Fixing pins



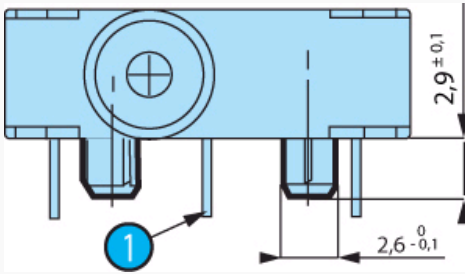
Black = Common Grey = NC Blue = NO Conductor cross-section : 83181 / 83183 / 83186 = 3 x 0.5 mm²

N°	Legend
①	X2 output

Dimensions (mm)

Mounting accessories

Fixing pins

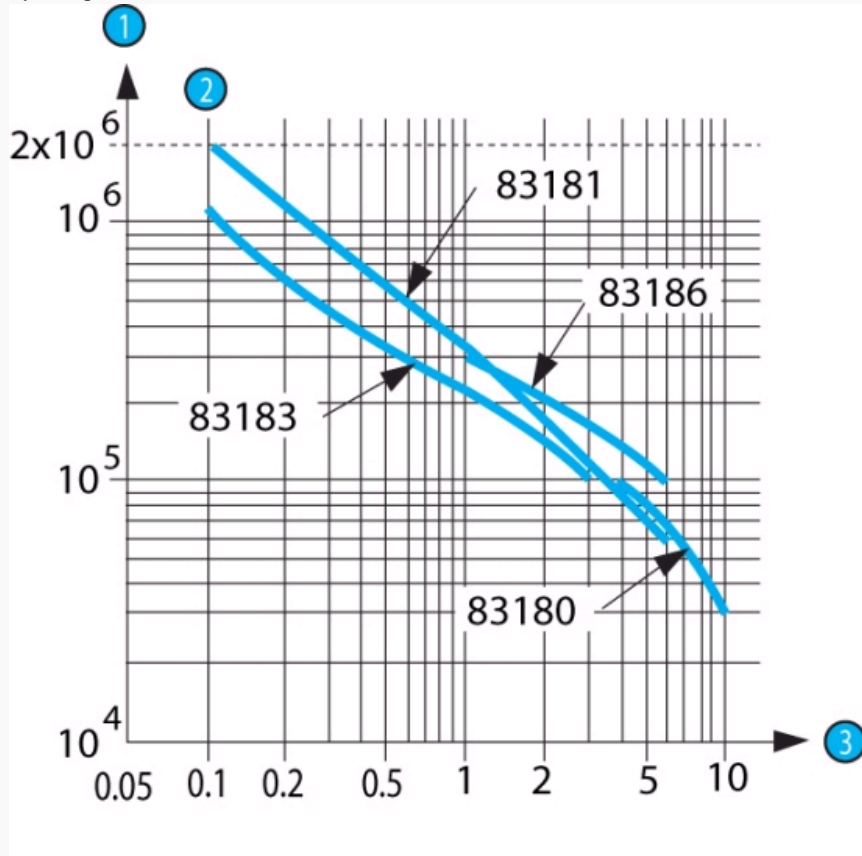


Black = Common Grey = NC Blue = NO Conductor cross-section : 83181 / 83183 / 83186 = 3 x 0.5 mm²

N°	Legend
①	X3 output

Curves

Operating curve 250 VAC



Model 83181 is designed to operate equally well on dual-current (1 mA 4 V minimum) or medium-current (6 A maximum) circuits. However, a given product should only be used to switch one type of circuit during its working life.

N°	Legend
①	Number of cycles
②	Resistive circuit
③	Current in Amps

Curves








Switch rating with DC supply

		83180	83181	83183	83186
12 V	Resistive	10 A	6 A	3 A	6 A
	Inductive L/R 5 ms	10 A	6 A	3 A	6 A
24 V	Resistive	10 A	6 A	3 A	6 A
	Inductive L/R 5 ms	5 A	5 A	3 A	5 A

Model 83181 is designed to operate equally well on dual-current (1 mA 4 V minimum) or medium-current (6 A maximum) circuits. However, a given product should only be used to switch one type of circuit during its working life.

Connections

Actuators and fixing positions

Part numbers for standard actuators		79253327		79253326		79218454	
Actuators		Flat 170A R18.3	Flat 170A R24	Flat 170A R41	Roller 170E R20		
							
Mounting position		A B	A B	A B	A B	A B	
Coefficient		3 1.5	4 2	7 3.5	3 1.5		
Tripping point		10 ^{+1.4} 9.2 ^{+0.9}	10.7 ^{+1.7} 9.6 ^{+1.1}	12.7 ^{+1.3} 10.6 ^{+1.8}	15.5 ^{+1.4} 14.5 ^{+1.0}		
83180				11 ^{+1.1} 8.8 ^{+1.6}			
83181 / 183 / 186				11.4 ^{+1.1} 9.3 ^{+1.6}			
Part numbers for standard actuators		79253329					
Actuators		Dummy roller 170F R19.5	Screw 170D *	Transverse roller 170 EL *			
							
Mounting position		A B					
Coefficient		3 1.5					
Tripping point		12.9 ^{+1.3} 11.9 ^{+1.7}					

Except where otherwise indicated, levers are supplied unmounted.

For factory mounting, specify fixing position A or B.

* To special order

Other information

Mounting - Operation

See basic technical concepts

Degree of protection

- Tag version :

→ casing = IP67

→ terminals = IP00

- Lead/cable version :

→ output/casing = IP67

To calculate force : divide the switch force by the coefficient in the table.

To calculate travel : multiply the switch travel by the same coefficient.

Product adaptations



- Special levers
- Specific fixings
- Special leads, cables, cable harnesses
- NF - UL - cUL approvals

Компания «Океан Электроники» предлагает заключение долгосрочных отношений при поставках импортных электронных компонентов на взаимовыгодных условиях!

Наши преимущества:

- Поставка оригинальных импортных электронных компонентов напрямую с производств Америки, Европы и Азии, а так же с крупнейших складов мира;
- Широкая линейка поставок активных и пассивных импортных электронных компонентов (более 30 млн. наименований);
- Поставка сложных, дефицитных, либо снятых с производства позиций;
- Оперативные сроки поставки под заказ (от 5 рабочих дней);
- Экспресс доставка в любую точку России;
- Помощь Конструкторского Отдела и консультации квалифицированных инженеров;
- Техническая поддержка проекта, помощь в подборе аналогов, поставка прототипов;
- Поставка электронных компонентов под контролем ВП;
- Система менеджмента качества сертифицирована по Международному стандарту ISO 9001;
- При необходимости вся продукция военного и аэрокосмического назначения проходит испытания и сертификацию в лаборатории (по согласованию с заказчиком);
- Поставка специализированных компонентов военного и аэрокосмического уровня качества (Xilinx, Altera, Analog Devices, Intersil, Interpoint, Microsemi, Actel, Aeroflex, Peregrine, VPT, Syfer, Eurofarad, Texas Instruments, MS Kennedy, Miteq, Cobham, E2V, MA-COM, Hittite, Mini-Circuits, General Dynamics и др.);

Компания «Океан Электроники» является официальным дистрибьютором и эксклюзивным представителем в России одного из крупнейших производителей разъемов военного и аэрокосмического назначения «JONHON», а так же официальным дистрибьютором и эксклюзивным представителем в России производителя высокотехнологичных и надежных решений для передачи СВЧ сигналов «FORSTAR».



JONHON

«JONHON» (основан в 1970 г.)

Разъемы специального, военного и аэрокосмического назначения:

(Применяются в военной, авиационной, аэрокосмической, морской, железнодорожной, горно- и нефтедобывающей отраслях промышленности)

«FORSTAR» (основан в 1998 г.)

ВЧ соединители, коаксиальные кабели, кабельные сборки и микроволновые компоненты:

(Применяются в телекоммуникациях гражданского и специального назначения, в средствах связи, РЛС, а так же военной, авиационной и аэрокосмической отраслях промышленности).



Телефон: 8 (812) 309-75-97 (многоканальный)

Факс: 8 (812) 320-03-32

Электронная почта: ocean@oceanchips.ru

Web: <http://oceanchips.ru/>

Адрес: 198099, г. Санкт-Петербург, ул. Калинина, д. 2, корп. 4, лит. А