

MAX14634

Ultra-Low On-Resistance and Compact Bidirectional Battery Switch

General Description

The MAX14634 bidirectional battery switch features reverse blocking capability to isolate the battery from the system. The internal switch features ultra-low $7\text{m}\Omega$ (typ) on-resistance and operates from a +2.3V to +5.5V input voltage range, making this device ideal as a battery-disconnect switch for high-capacity battery applications. The slew-rate controlled switch is also ideal for a large load capacitor as well as high-current load switching applications.

The device is available in an ultra-small 12-bump (1.3mm x 1.7mm, 0.4mm pitch) WLP package. The tiny, low-profile package is suitable for space-limited portable device applications. The device operates over the -40°C to $+85^{\circ}\text{C}$ extended temperature range.

Applications

Tablet PC Battery Switches
 Smartphone Battery Switches
 Battery Isolators

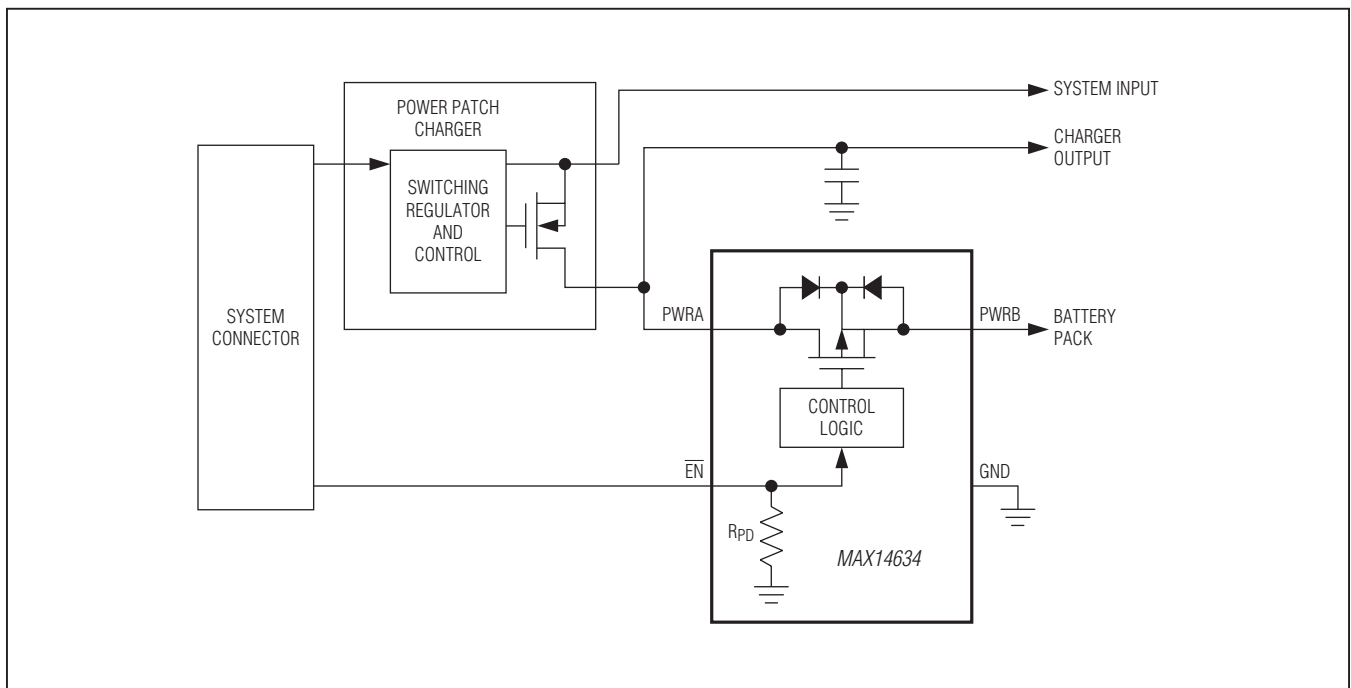
Benefits and Features

- ◆ Provides Efficient System Battery Switch
 - ◇ Integrated FET for Bidirectional Blocking
 - ◇ Ultra-Low $7\text{m}\Omega$ (typ) R_{ON}
 - ◇ Wide Input Voltage Range: +2.3V to +5.5V
 - ◇ Low Quiescent Current
- ◆ Saves Space
 - ◇ Integrated Pulldown and Logic Buffer Circuits
 - ◇ 12-Bump, 1.3mm x 1.7mm, 0.4mm Pitch WLP Package

Ordering Information appears at end of data sheet.

For related parts and recommended products to use with this part, refer to www.maximintegrated.com/MAX14634.related.

Typical Operating Circuit



MAX14634

Ultra-Low On-Resistance and Compact Bidirectional Battery Switch

ABSOLUTE MAXIMUM RATINGS

(All voltages referenced to GND.)

PWRA, PWRB, \overline{EN} -0.3V to +6V
 Current into PWRA, PWRB $\pm 7A$
 Continuous Power Dissipation ($T_A = +70^\circ C$)
 WLP (derate 13.7mW/ $^\circ C$ above +70 $^\circ C$)..... 1096mW

Operating Temperature Range -40 $^\circ C$ to +85 $^\circ C$
 Maximum Junction Temperature..... +150 $^\circ C$
 Storage Temperature Range..... -65 $^\circ C$ to +150 $^\circ C$
 Soldering Temperature (reflow) +260 $^\circ C$

Stresses beyond those listed under "Absolute Maximum Ratings" may cause permanent damage to the device. These are stress ratings only, and functional operation of the device at these or any other conditions beyond those indicated in the operational sections of the specifications is not implied. Exposure to absolute maximum rating conditions for extended periods may affect device reliability.

PACKAGE THERMAL CHARACTERISTICS (Note 1)

WLP

Junction-to-Ambient Thermal Resistance (θ_{JA}) 73 $^\circ C/W$

Note 1: Package thermal resistances were obtained using the method described in JEDEC specification JESD51-7, using a four-layer board. For detailed information on package thermal considerations, refer to www.maximintegrated.com/thermal-tutorial.

ELECTRICAL CHARACTERISTICS

($V_{PWRA}, V_{PWRB} = 2.3V$ to $5.5V$; $T_A = -40^\circ C$ to $+85^\circ C$, unless otherwise noted. Typical values are at $V_{PWRA}, V_{PWRB} = 4.2V$; $C_{PWRA}, C_{PWRB} = 0.1\mu F$; $T_A = +25^\circ C$.) (Note 2)

PARAMETER	SYMBOL	CONDITIONS	MIN	TYP	MAX	UNITS
SUPPLY OPERATION						
Operating Voltage	V_{PWRA} V_{PWRB}		2.3		5.5	V
Quiescent Current	I_{PWRA} I_{PWRB}	$V_{\overline{EN}} = 0.4V$, no load			1	μA
Transient Supply Current		\overline{EN} from high to low or low to high		30		μA
Shutdown Current	I_{SHDN}	$V_{\overline{EN}} = 5.5V$, ($V_{PWRA} = 5.5V$, $V_{PWRB} =$ open) or ($V_{PWRB} = 5.5V$, $V_{PWRA} =$ open)			1	μA
INTERNAL FET						
On-Resistance Between PWRA and PWRB	R_{ON}	$T_A = +25^\circ C$, $I_{LOAD} = 100mA$	$V_{PWRA}, V_{PWRB} = 2.3V$	8	13	m Ω
			$V_{PWRA}, V_{PWRB} = 3.3V$	7	10	
\overline{EN} INPUT						
\overline{EN} Input Logic-High Voltage	V_{IH}		1.6			V
\overline{EN} Input Logic-Low Voltage	V_{IL}				0.4	V
\overline{EN} Internal Pulldown Resistor	RPD			500	700	k Ω
DYNAMIC						
Turn-On Time	t_{ON}	Time from \overline{EN} high-to-low signal to $V_{PWRB/A} = 90\%$ of $V_{PWRA/B}$		3		ms
Turn-Off Time	t_{OFF}	Time from \overline{EN} low-to-high signal to $V_{PWRB/A} = 10\%$ of $V_{PWRA/B}$, $R_{LOAD} = 100\Omega$		3		ms

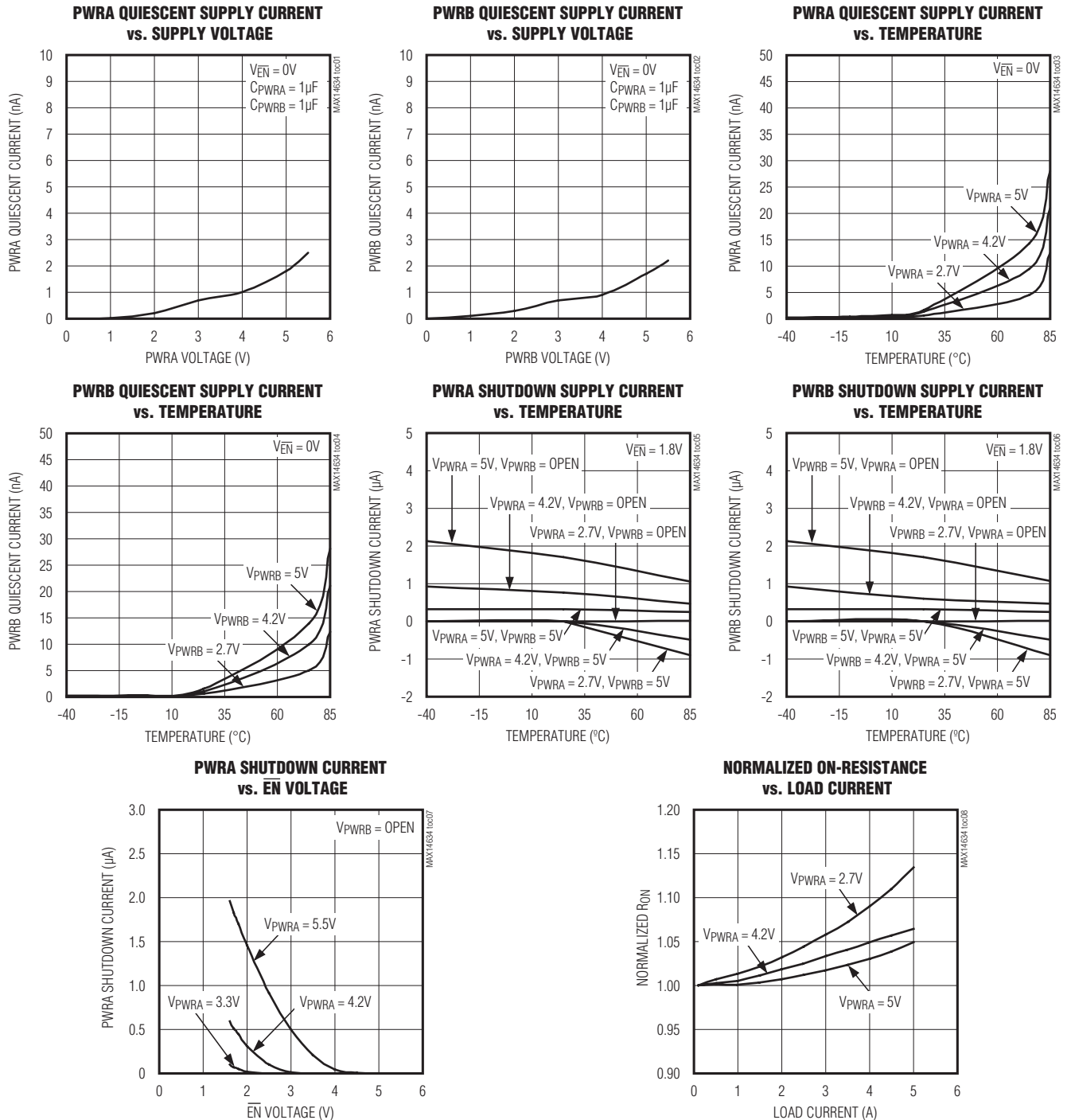
Note 2: All devices are 100% production tested at $T_A = +25^\circ C$. Specifications over the operating temperature range are guaranteed by design.

MAX14634

Ultra-Low On-Resistance and Compact Bidirectional Battery Switch

Typical Operating Characteristics

($T_A = +25^\circ\text{C}$, unless otherwise noted.)

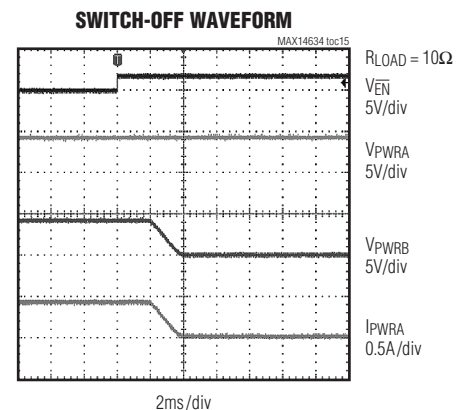
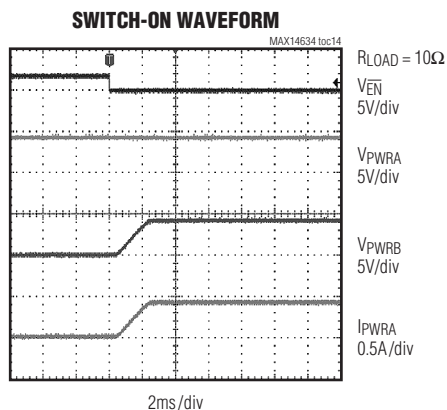
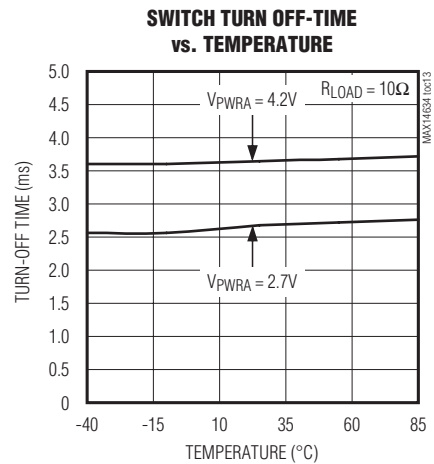
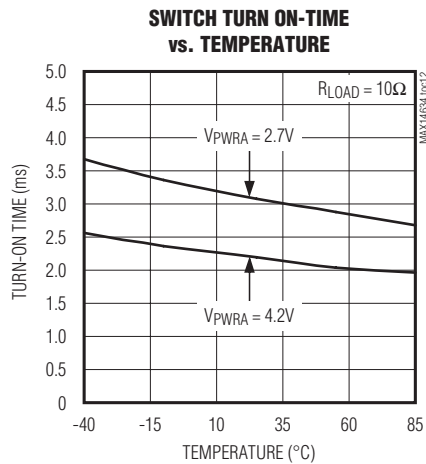
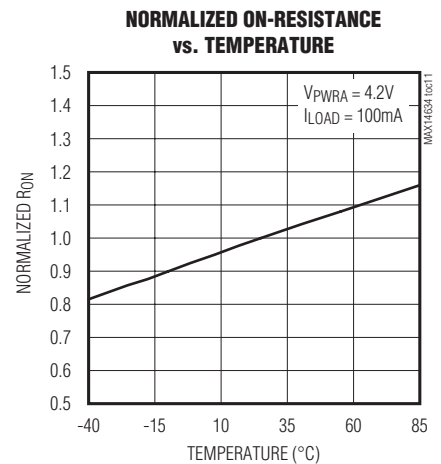
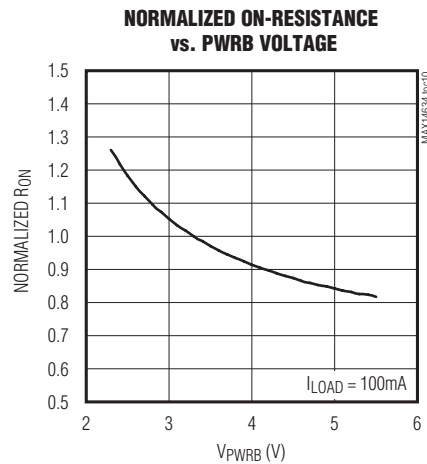
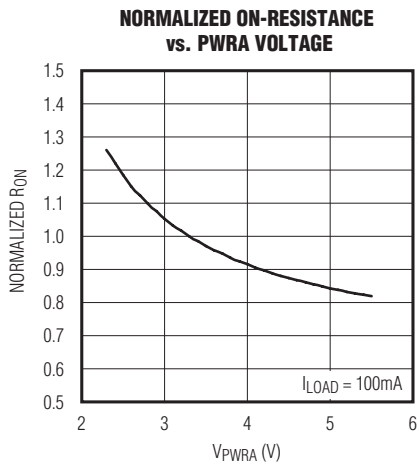


MAX14634

Ultra-Low On-Resistance and Compact Bidirectional Battery Switch

Typical Operating Characteristics (continued)

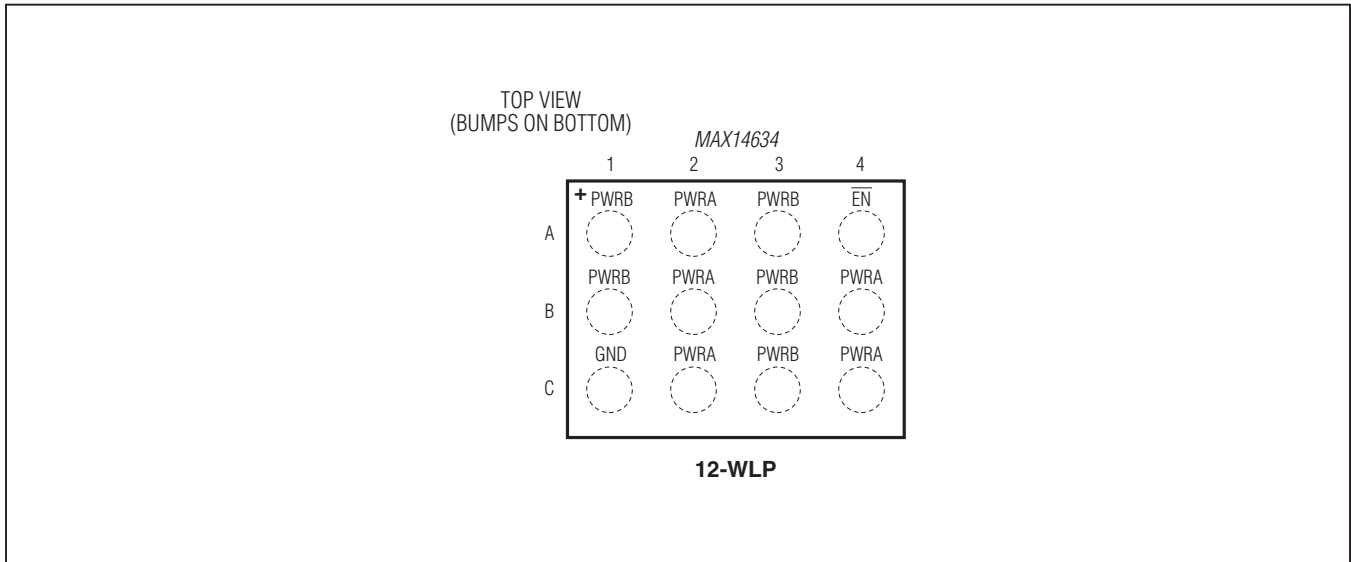
($T_A = +25^\circ\text{C}$, unless otherwise noted.)



MAX14634

Ultra-Low On-Resistance and Compact Bidirectional Battery Switch

Bump Configuration



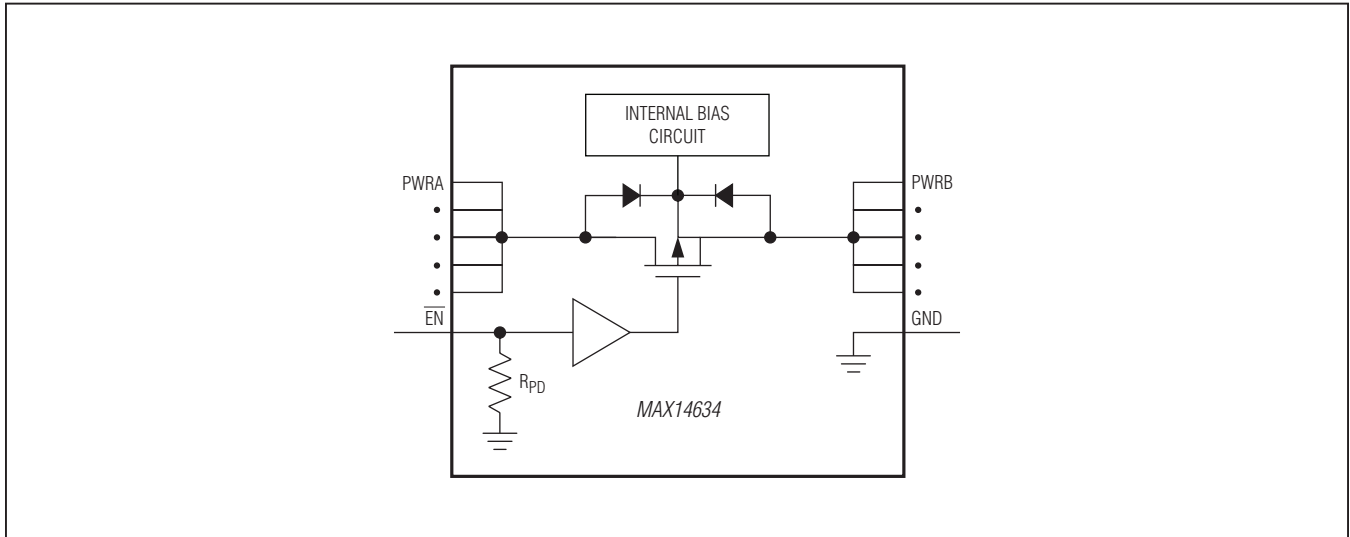
Bump Description

BUMP	NAME	FUNCTION
A1, A3, B1, B3, C3	PWRB	Power I/O
A2, B2, B4, C2, C4	PWRA	Power I/O
A4	$\overline{\text{EN}}$	Active-Low Enable Input. Drive $\overline{\text{EN}}$ low to turn on the switch.
C1	GND	Ground

MAX14634

Ultra-Low On-Resistance and Compact Bidirectional Battery Switch

Functional Diagram



Detailed Description

The MAX14634 is a bidirectional switch with ultra-low 7mΩ (typ) on-resistance and reverse-current blocking capability. The device has low quiescent current and operates from a +2.3V to +5.5V input voltage range, making this device ideal as a battery-disconnect switch for high-capacity battery applications. The slew-rate controlled switch is also ideal for a large load capacitor as well as high-current load switching applications.

Reverse-Current Blocking

The bidirectional FET switch prevents current flowing from either power input to the other when the switch is disabled.

EN Input

The switch position is controlled by an $\overline{\text{EN}}$ active-low logic input. The switch is on when $\overline{\text{EN}}$ is logic-low and off when $\overline{\text{EN}}$ is logic-high. $\overline{\text{EN}}$ is internally pulled down to ground by R_{PD} .

Ordering Information

PART	TEMP RANGE	TOP MARK	PIN-PACKAGE
MAX14634EWC+T	-40°C to +85°C	ACO	12 WLP

+ Denotes a lead(Pb)-free/RoHS-compliant package.
T = Tape and reel

Chip Information

PROCESS: BiCMOS

Package Information

For the latest package outline information and land patterns (footprints), go to www.maximintegrated.com/packages. Note that a "+", "#", or "-" in the package code indicates RoHS status only. Package drawings may show a different suffix character, but the drawing pertains to the package regardless of RoHS status.

PACKAGE TYPE	PACKAGE CODE	OUTLINE NO.	LAND PATTERN NO.
12 WLP	W121F1+1	21-0449	Refer to Application Note 1891

MAX14634

Ultra-Low On-Resistance and Compact Bidirectional Battery Switch

Revision History

REVISION NUMBER	REVISION DATE	DESCRIPTION	PAGES CHANGED
0	5/12	Initial release	—
1	1/13	Updated Absolute Maximum Ratings section	2



Maxim Integrated cannot assume responsibility for use of any circuitry other than circuitry entirely embodied in a Maxim Integrated product. No circuit patent licenses are implied. Maxim Integrated reserves the right to change the circuitry and specifications without notice at any time. The parametric values (min and max limits) shown in the Electrical Characteristics table are guaranteed. Other parametric values quoted in this data sheet are provided for guidance.

Maxim Integrated 160 Rio Robles, San Jose, CA 95134 USA 1-408-601-1000

7

Компания «Океан Электроники» предлагает заключение долгосрочных отношений при поставках импортных электронных компонентов на взаимовыгодных условиях!

Наши преимущества:

- Поставка оригинальных импортных электронных компонентов напрямую с производств Америки, Европы и Азии, а так же с крупнейших складов мира;
- Широкая линейка поставок активных и пассивных импортных электронных компонентов (более 30 млн. наименований);
- Поставка сложных, дефицитных, либо снятых с производства позиций;
- Оперативные сроки поставки под заказ (от 5 рабочих дней);
- Экспресс доставка в любую точку России;
- Помощь Конструкторского Отдела и консультации квалифицированных инженеров;
- Техническая поддержка проекта, помощь в подборе аналогов, поставка прототипов;
- Поставка электронных компонентов под контролем ВП;
- Система менеджмента качества сертифицирована по Международному стандарту ISO 9001;
- При необходимости вся продукция военного и аэрокосмического назначения проходит испытания и сертификацию в лаборатории (по согласованию с заказчиком);
- Поставка специализированных компонентов военного и аэрокосмического уровня качества (Xilinx, Altera, Analog Devices, Intersil, Interpoint, Microsemi, Actel, Aeroflex, Peregrine, VPT, Syfer, Eurofarad, Texas Instruments, MS Kennedy, Miteq, Cobham, E2V, MA-COM, Hittite, Mini-Circuits, General Dynamics и др.);

Компания «Океан Электроники» является официальным дистрибьютором и эксклюзивным представителем в России одного из крупнейших производителей разъемов военного и аэрокосмического назначения «JONHON», а так же официальным дистрибьютором и эксклюзивным представителем в России производителя высокотехнологичных и надежных решений для передачи СВЧ сигналов «FORSTAR».



JONHON

«JONHON» (основан в 1970 г.)

Разъемы специального, военного и аэрокосмического назначения:

(Применяются в военной, авиационной, аэрокосмической, морской, железнодорожной, горно- и нефтедобывающей отраслях промышленности)

«FORSTAR» (основан в 1998 г.)

ВЧ соединители, коаксиальные кабели, кабельные сборки и микроволновые компоненты:

(Применяются в телекоммуникациях гражданского и специального назначения, в средствах связи, РЛС, а так же военной, авиационной и аэрокосмической отраслях промышленности).



Телефон: 8 (812) 309-75-97 (многоканальный)

Факс: 8 (812) 320-03-32

Электронная почта: ocean@oceanchips.ru

Web: <http://oceanchips.ru/>

Адрес: 198099, г. Санкт-Петербург, ул. Калинина, д. 2, корп. 4, лит. А