



# ULTRA-PRECISION 1:8 CML FANOUT BUFFER WITH INTERNAL I/O TERMINATION

Precision Edge®  
SY58031U

## FEATURES

- Precision 1:8, 400mV CML fanout buffer
- Guaranteed AC performance over temperature and voltage:
  - Clock frequency range: DC to >6GHz
  - <60ps  $t_r/t_f$  time
  - <270ps  $t_{pd}$
  - <20ps output-to-output skew
- Low-jitter performance:
  - 75fs<sub>RMS</sub> phase jitter (typ)
- 50Ω source-terminated CML outputs
- 400mV CML output swing into 50Ω load
- Fully differential I/O
- Accepts an input signal as low as 100mV
- Unique, patent-pending input termination and VT pin accepts DC-coupled and AC-coupled differential inputs: (LVPECL, LVDS, and CML)
- Power supply 2.5V ±5% or 3.3V ±10%
- Industrial temperature range: -40°C to +85°C
- Available in 32-pin (5mm x 5mm) MLF® package



Precision Edge®

## DESCRIPTION

The SY58031U is a 2.5V/3.3V precision, high-speed, fully differential CML 1:8 fanout buffer. The SY58031U is optimized to provide eight identical output copies with less than 20ps of skew and only 75fs<sub>RMS</sub> phase jitter. It can process clock signals as fast as 6GHz.

The differential input includes Micrel's unique, 3-pin input termination architecture that allows the SY58031U to directly interface to CML, LVPECL, and LVDS differential signals (AC- or DC-coupled) without any level-shifting or termination resistor networks in the signal path. The result is a clean, stub-free, low-jitter interface solution. The CML outputs feature 400mV typical swing into 50Ω loads and provide an extremely fast rise/fall time guaranteed to be less than 60ps.

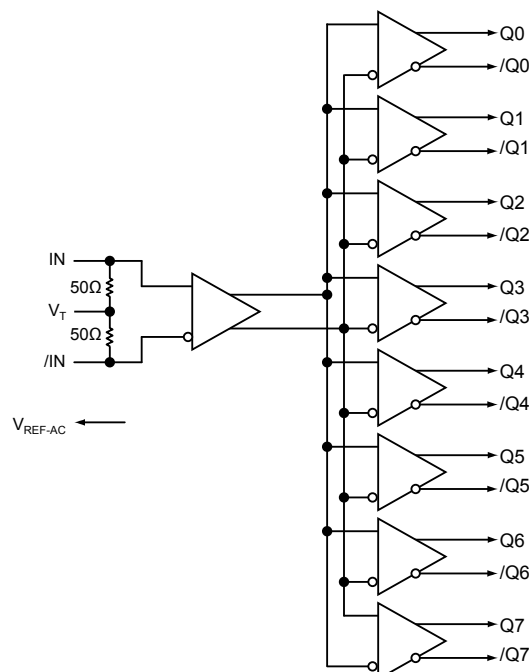
The SY58031U operates from a 2.5V ±5% supply or 3.3V ±10% supply and is guaranteed over the full industrial temperature range (-40°C to +85°C). For applications that require high-speed 1:8 LVPECL fanout buffers, consider the SY58032U and SY58033U. The SY58031U is part of Micrel's high-speed, Precision Edge® product line.

All support documentation can be found on Micrel's web site at [www.micrel.com](http://www.micrel.com).

## APPLICATIONS

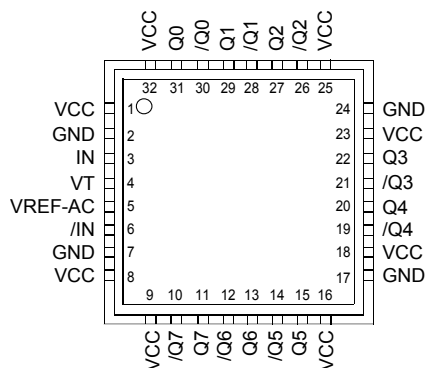
- All SONET and all GigE clock distribution
- All Fibre Channel clock and data distribution
- Network routing engine timing distribution
- High-end, low-skew multiprocessor synchronous clock distribution

## FUNCTIONAL BLOCK DIAGRAM



Precision Edge is a registered trademark of Micrel, Inc.  
MicroLeadFrame and MLF are registered trademarks of Amkor Technology, Inc.

**PACKAGE/ORDERING INFORMATION**



**32-Pin MLF® (MLF-32)**

**Ordering Information<sup>(1)</sup>**

Part Number	Package Type	Operating Range	Package Marking	Lead Finish
SY58031UMI	MLF-32	Industrial	SY58031U	Sn-Pb
SY58031UMITR <sup>(2)</sup>	MLF-32	Industrial	SY58031U	Sn-Pb
SY58031UMG <sup>(3)</sup>	MLF-32	Industrial	SY58031U with Pb-Free bar-line indicator	Pb-Free NiPdAu
SY58031UMGTR <sup>(2, 3)</sup>	MLF-32	Industrial	SY58031U with Pb-Free bar-line indicator	Pb-Free NiPdAu

**Notes:**

1. Contact factory for die availability. Dice are guaranteed at T<sub>A</sub> = 25°C, DC electricals only.
2. Tape and Reel.
3. Pb-Free package recommended for new designs.

**PIN DESCRIPTION**

Pin Number	Pin Name	Pin Function
3, 6	IN, /IN	Differential Signal Input: Each pin of this pair internally terminates with 50Ω to the VT pin. Note that this input will default to an indeterminate state if left open. See “Input Interface Applications” section.
4	VT	Input Termination Center-Tap: Each input terminates to this pin. The VT pin provides a center-tap for each input (IN, /IN) to the termination network for maximum interface flexibility. See “Input Interface Applications” section.
2, 7, 17, 24	GND, Exposed Pad	Ground. Exposed pad must be connected to a ground plane that is the same potential as the ground pin.
1, 8, 9, 16, 18, 23, 25, 32	VCC	Positive Power Supply: Bypass with 0.1μF  0.01μF low ESR capacitors as close to the pins as possible.
31, 30, 29, 28, 27, 26, 22, 21, 20, 19, 15, 14, 13, 12, 11, 10	Q0, /Q0, Q1, /Q1, Q2, /Q2, Q3, /Q3, Q4, /Q4, Q5, /Q5, Q6, /Q6, Q7, /Q7	CML Differential Output Pairs: Differential buffered output copy of the input signal. The CML output swing is typically 400mV into 50Ω. Unused output pairs may be left floating with no impact on jitter. See “CML Output Termination” section.
5	VREF-AC	Bias Reference Voltage: Equal to V <sub>CC</sub> -1.2V (typical), and used for AC-coupled applications. See “Input Interface Applications” section. When using V <sub>REF-AC</sub> , bypass with 0.01μF capacitor to V <sub>CC</sub> . Maximum sink/source current is 0.5mA.

### Absolute Maximum Ratings<sup>(1)</sup>

Power Supply Voltage ( $V_{CC}$ ) ..... -0.5V to +4.0V  
 Input Voltage ( $V_{IN}$ ) ..... -0.5V to  $V_{CC}$   
 Current ( $V_T$ )  
 Source or sink current on  $V_T$  pin .....  $\pm 100$ mA  
 Input Current ( $V_T$ )  
 Source or sink current on IN, /IN .....  $\pm 50$ mA  
 Current ( $V_{REF}$ )  
 Source or sink current on  $V_{REF-AC}$ <sup>(3)</sup> .....  $\pm 1.5$ mA  
 Lead Temperature Soldering, (20 sec.) ..... 260°C  
 Storage Temperature Range ( $T_S$ ) ..... -65°C to +150°C

### Operating Ratings<sup>(2)</sup>

Power Supply Voltage ( $V_{CC}$ ) ..... +2.375V to +3.60V  
 Ambient Temperature Range ( $T_A$ ) ..... -40°C to +85°C  
 Package Thermal Resistance<sup>(4)</sup>  
 MLF® ( $\theta_{JA}$ )  
 Still-Air ..... 35°C/W  
 MLF® ( $\psi_{JB}$ )  
 Junction-to-Board ..... 20°C/W

## DC ELECTRICAL CHARACTERISTICS<sup>(5)</sup>

$T_A = -40^\circ\text{C}$  to  $+85^\circ\text{C}$

Symbol	Parameter	Condition	Min	Typ	Max	Units
$V_{CC}$	Power Supply Voltage	2.5V nominal 3.3V nominal	2.375 3.0	2.5 3.3	2.625 3.6	V
$I_{CC}$	Power Supply Current	$V_{CC} = \text{max.}$ no load. Includes current through 50Ω pull-ups.		265	330	mA
$V_{IH}$	Input HIGH Voltage	IN1, /IN1, Note 6	$V_{CC}-1.6$		$V_{CC}$	V
$V_{IL}$	Input LOW Voltage	IN1, /IN1	0		$V_{IH}-0.1$	V
$V_{IN}$	Input Voltage Swing	IN1, /IN1, see Figure 1a.	0.1		1.7	V
$V_{DIFF\_IN}$	Differential Input Voltage Swing  IN0, /IN0 ,  IN1, /IN1	IN1, /IN1, see Figure 1b.	0.2			V
$R_{IN}$	In-to- $V_T$ Resistance		40	50	60	Ω
$V_{T\_IN}$	Max. In-to- $V_T$ (IN, /IN)				1.28	V
$V_{REF-AC}$			$V_{CC}-1.3$	$V_{CC}-1.2$	$V_{CC}-1.1$	V

## CML DC ELECTRICAL CHARACTERISTICS<sup>(5)</sup>

$V_{CC} = 2.5\text{V} \pm 5\%$  or  $3.3\text{V} \pm 10\%$ ;  $R_L = 100\Omega$  across Q and /Q;  $T_A = -40^\circ\text{C}$  to  $+85^\circ\text{C}$ , unless otherwise stated.

Symbol	Parameter	Condition	Min	Typ	Max	Units
$V_{OH}$	Output HIGH Voltage		$V_{CC}-0.020$		$V_{CC}$	V
$V_{OUT}$	Output Voltage Swing	see Figure 1a.	325	400		mV
$V_{DIFF\_OUT}$	Differential Voltage Swing	see Figure 1b.	650	800		mV
$R_{OUT}$	Output Source Impedance		40	50	60	Ω

**Notes:**

1. Permanent device damage may occur if "Absolute Maximum Ratings" are exceeded. This is a stress rating only and functional operation is not implied at conditions other than those detailed in the operational sections of this data sheet. Exposure to absolute maximum ratings conditions for extended periods may affect device reliability.
2. The data sheet limits are not guaranteed if the device is operated beyond the operating ratings.
3. Due to the limited drive capability, use for input of the same package only.
4. Thermal performance assumes exposed pad is soldered (or equivalent) to the device's most negative potential (GND) on the PCB.  $\psi_{JB}$  uses 4-layer  $\theta_{JA}$  in still-air number unless otherwise stated.
5. The circuit is designed to meet the DC specifications shown in the above tables after thermal equilibrium has been established.
6.  $V_{IH}$  (min) not lower than 1.2V.

## AC ELECTRICAL CHARACTERISTICS<sup>(7)</sup>

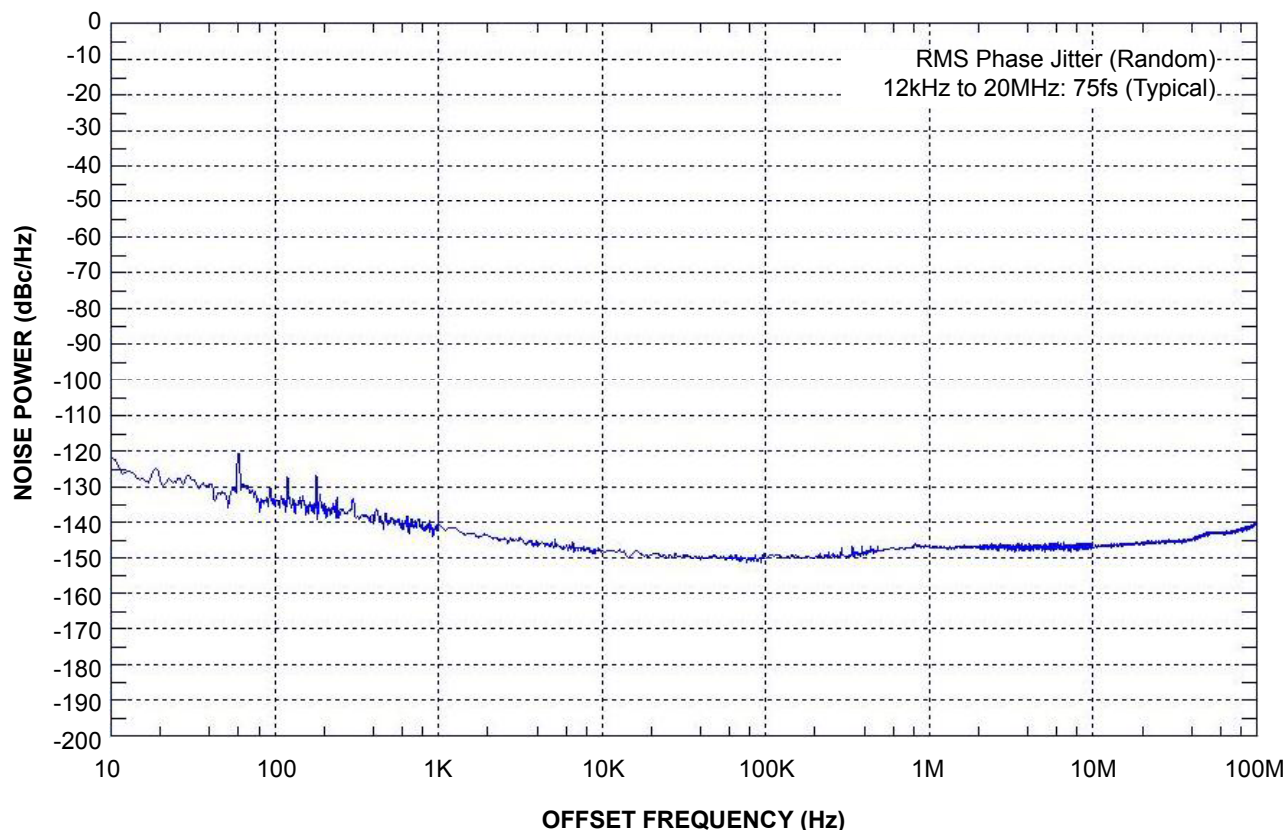
$V_{CC} = 2.5V \pm 5\%$  or  $3.3V \pm 10\%$ ;  $R_L = 100\Omega$  across each output pair or equivalent;  $T_A = -40^\circ C$  to  $+85^\circ C$ , unless otherwise stated.

Symbol	Parameter	Condition	Min	Typ	Max	Units
$f_{MAX}$	Maximum Operating Frequency	$V_{OUT} \geq 200mV$ Clock	6			GHz
$t_{pd}$	Propagation Delay (IN-to-Q)		120	230	270	ps
$t_{pd\ tempco}$	Differential Propagation Delay Temperature Coefficient			35		fs/°C
$t_{SKEW}$	Output-to-Output (Within Device)	<b>Note 8</b>		7	20	ps
	Part-to-Part	<b>Note 9</b>			100	ps
$t_{JITTER}$	RMS Phase Jitter	Output: 622MHz Integration Range: 12kHz - 20MHz		75		fs
$t_r, t_f$	Output Rise/Fall Time	20% to 80%, at full output swing	20	45	60	ps

**Notes:**

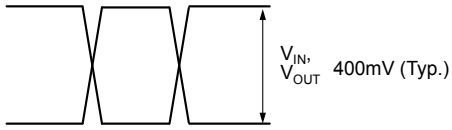
- 7. High frequency AC electricals are guaranteed by design and characterization. All outputs loaded,  $V_{IN} \geq 100mV$ .
- 8. Output-to-output skew is measured between outputs under identical transitions.
- 9. Part-to-part skew is defined for two parts with identical power supply voltages at the same temperature and with no skew of the edges at the respective inputs. Part-to-part skew includes variation in  $t_{pd}$ .

## PHASE NOISE

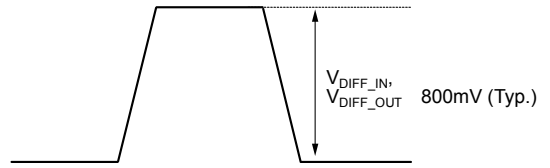


**Phase Noise Plot: 622MHz @ 3.3V**

**SINGLE-ENDED AND DIFFERENTIAL SWINGS**

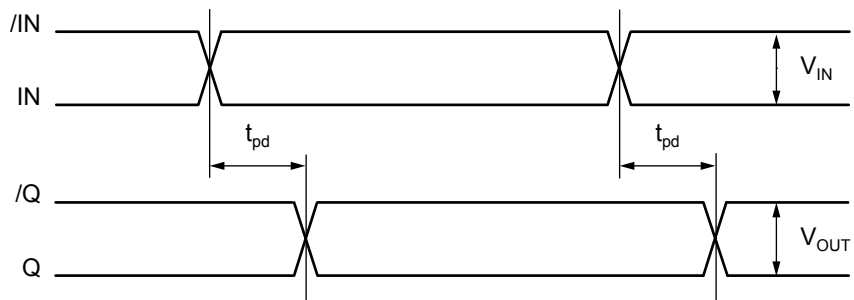


**Figure 1a. Single-Ended Voltage Swing**



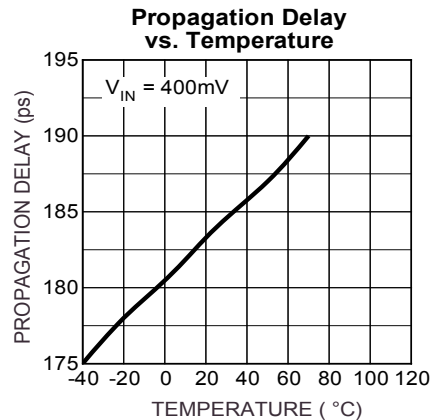
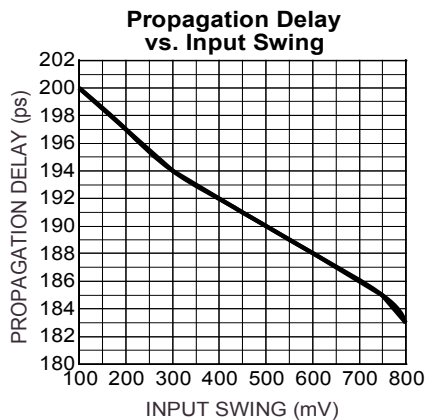
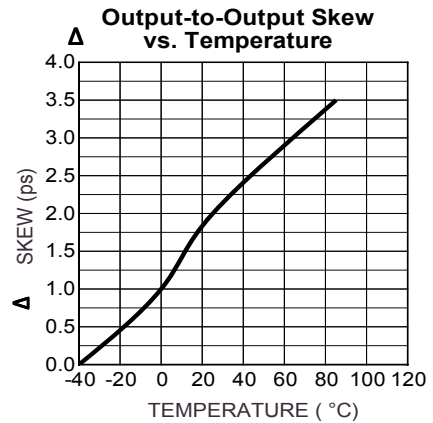
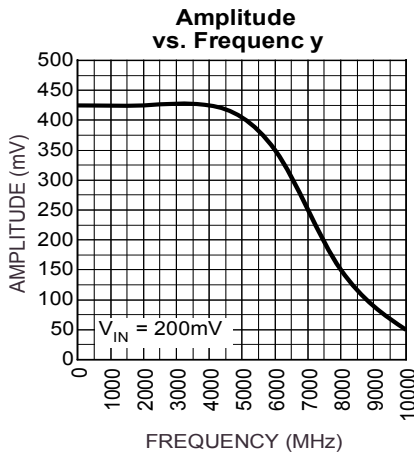
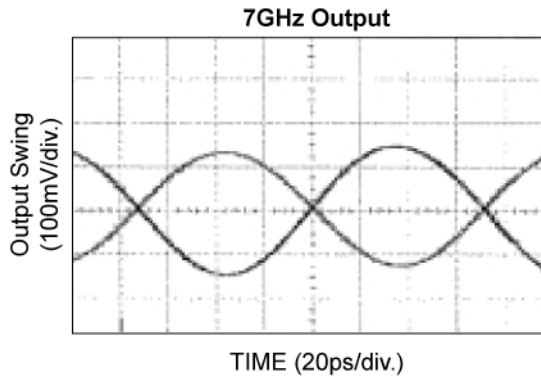
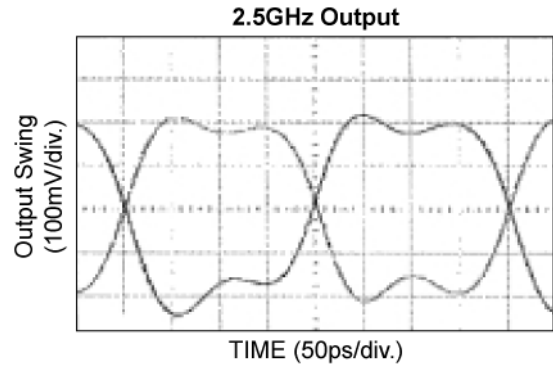
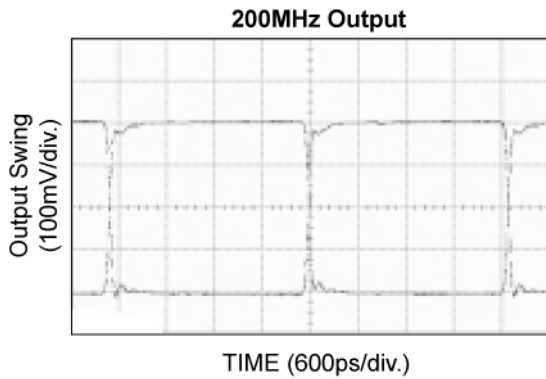
**Figure 1b. Differential Voltage Swing**

**TIMING DIAGRAM**

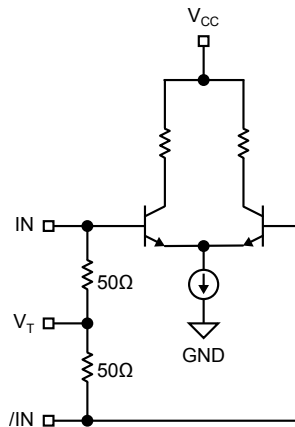


**TYPICAL OPERATING CHARACTERISTICS**

$V_{CC} = 2.5V$ ,  $GND = 0$ ,  $V_{IN} = 100mV$ ,  $T_A = 25^\circ C$ , unless otherwise stated.

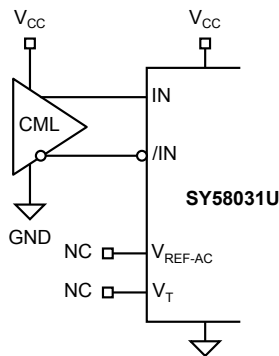


**INPUT BUFFER**

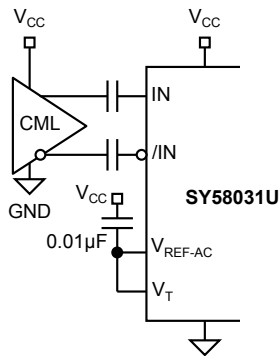


**Figure 2. Simplified Differential Input Buffer**

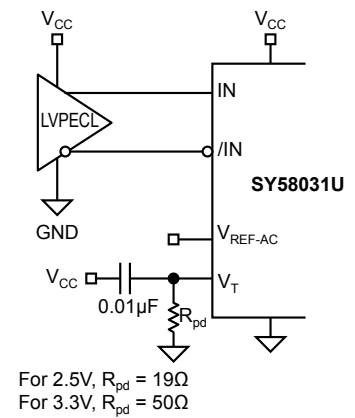
**INPUT INTERFACE APPLICATIONS**



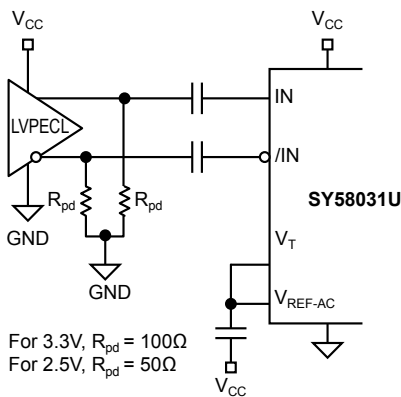
**Figure 3a. DC-Coupled CML Input Interface**  
*Option: May connect V<sub>T</sub> to V<sub>CC</sub>.*



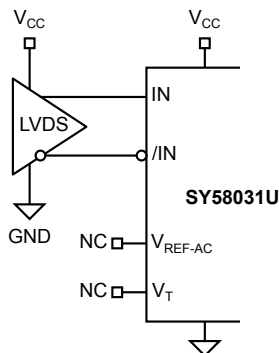
**Figure 3b. AC-Coupled CML Input Interface**



**Figure 3c. LVPECL Input Interface**



**Figure 3d. AC-Coupled LVPECL Input Interface**

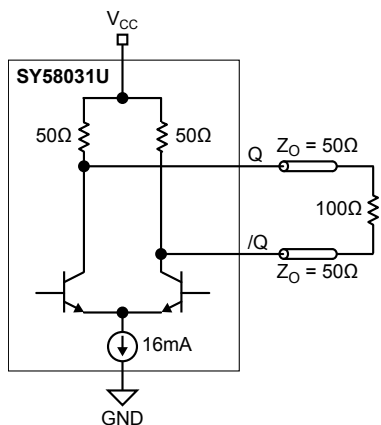


**Figure 3e. LVDS Input Interface**

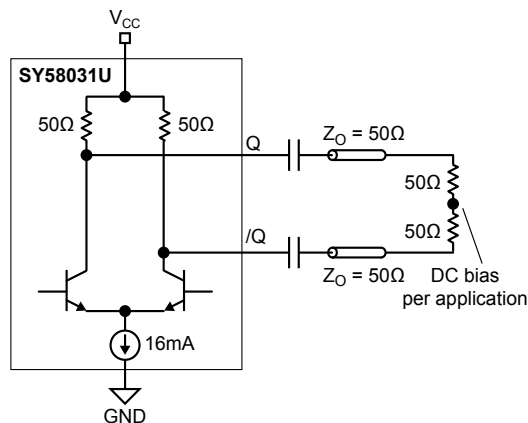
**CML OUTPUT TERMINATION**

Figure 4 and Figure 5 illustrate how to terminate a CML output using both the AC- and DC-coupled configuration.

All outputs of the SY58031U are 50Ω with a 16mA current source.



**Figure 4. CML DC-Coupled Termination**



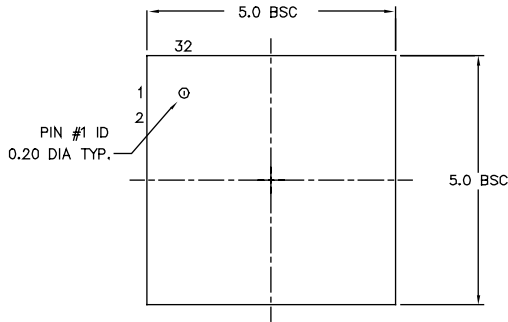
**Figure 5. CML AC-Coupled Termination**

**RELATED MICREL PRODUCTS AND SUPPORT DOCUMENTATION**

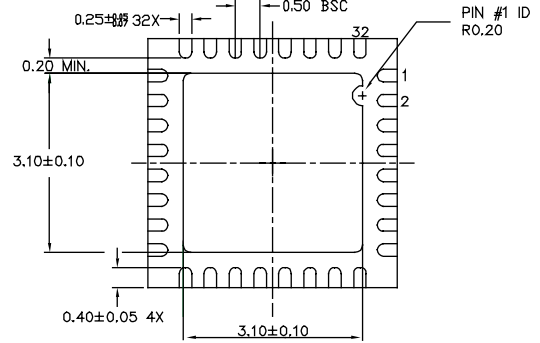
Part Number	Function	Data Sheet Link
SY58031U	Ultra-Precision 1:8 CML Fanout Buffer with Internal I/O Termination	<a href="http://www.micrel.com/product-info/products/sy58031u.shtml">http://www.micrel.com/product-info/products/sy58031u.shtml</a>
SY58032U	Ultra-Precision 1:8 LVPECL Fanout Buffer with Internal Termination	<a href="http://www.micrel.com/product-info/products/sy58032u.shtml">http://www.micrel.com/product-info/products/sy58032u.shtml</a>
SY58033U	Ultra-Precision 1:8 400mV Fanout Buffer with Internal Termination	<a href="http://www.micrel.com/product-info/products/sy58033u.shtml">http://www.micrel.com/product-info/products/sy58033u.shtml</a>
	32-MLF® Manufacturing Guidelines Exposed Pad Application Note	<a href="http://www.amkor.com/products/notes_papers/MLF_AppNote.pdf">www.amkor.com/products/notes_papers/MLF_AppNote.pdf</a>
	HBW Solutions	<a href="http://www.micrel.com/product-info/as/solutions.shtml">http://www.micrel.com/product-info/as/solutions.shtml</a>



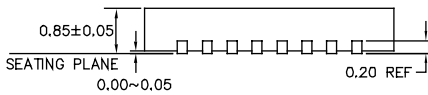
**32-PIN MicroLeadFrame® (MLF-32)**



TOP VIEW

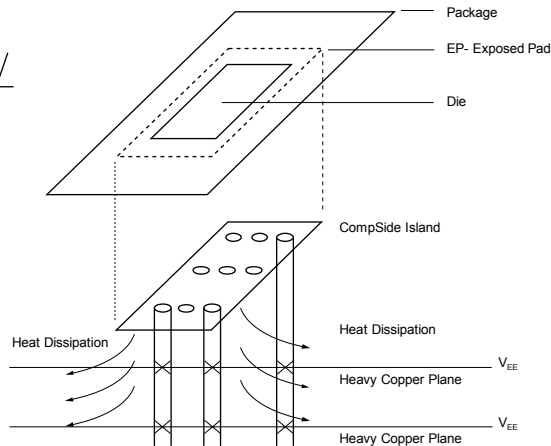


BOTTOM VIEW



SIDE VIEW

- NOTE:
1. ALL DIMENSIONS ARE IN MILLIMETERS.
  2. MAX. PACKAGE WARPAGE IS 0.05 mm.
  3. MAXIMUM ALLOWABLE BURRS IS 0.076 mm IN ALL DIRECTIONS.
  4. PIN #1 ID ON TOP WILL BE LASER/INK MARKED.



**PCB Thermal Consideration for 32-Pin MLF® Package**  
(Always solder, or equivalent, the exposed pad to the PCB)

**Package Notes:**

1. Package meets Level 2 qualification.
2. All parts are dry-packaged before shipment.
3. Exposed pads must be soldered to a ground for proper thermal management.

**MICREL, INC. 2180 FORTUNE DRIVE SAN JOSE, CA 95131 USA**

TEL + 1 (408) 944-0800 FAX + 1 (408) 474-1000 WEB <http://www.micrel.com>

The information furnished by Micrel in this data sheet is believed to be accurate and reliable. However, no responsibility is assumed by Micrel for its use. Micrel reserves the right to change circuitry and specifications at any time without notification to the customer.

Micrel Products are not designed or authorized for use as components in life support appliances, devices or systems where malfunction of a product can reasonably be expected to result in personal injury. Life support devices or systems are devices or systems that (a) are intended for surgical implant into the body or (b) support or sustain life, and whose failure to perform can be reasonably expected to result in a significant injury to the user. A Purchaser's use or sale of Micrel Products for use in life support appliances, devices or systems is at Purchaser's own risk and Purchaser agrees to fully indemnify Micrel for any damages resulting from such use or sale.

© 2005 Micrel, Incorporated.

Компания «Океан Электроники» предлагает заключение долгосрочных отношений при поставках импортных электронных компонентов на взаимовыгодных условиях!

Наши преимущества:

- Поставка оригинальных импортных электронных компонентов напрямую с производств Америки, Европы и Азии, а так же с крупнейших складов мира;
- Широкая линейка поставок активных и пассивных импортных электронных компонентов (более 30 млн. наименований);
- Поставка сложных, дефицитных, либо снятых с производства позиций;
- Оперативные сроки поставки под заказ (от 5 рабочих дней);
- Экспресс доставка в любую точку России;
- Помощь Конструкторского Отдела и консультации квалифицированных инженеров;
- Техническая поддержка проекта, помощь в подборе аналогов, поставка прототипов;
- Поставка электронных компонентов под контролем ВП;
- Система менеджмента качества сертифицирована по Международному стандарту ISO 9001;
- При необходимости вся продукция военного и аэрокосмического назначения проходит испытания и сертификацию в лаборатории (по согласованию с заказчиком);
- Поставка специализированных компонентов военного и аэрокосмического уровня качества (Xilinx, Altera, Analog Devices, Intersil, Interpoint, Microsemi, Actel, Aeroflex, Peregrine, VPT, Syfer, Eurofarad, Texas Instruments, MS Kennedy, Miteq, Cobham, E2V, MA-COM, Hittite, Mini-Circuits, General Dynamics и др.);

Компания «Океан Электроники» является официальным дистрибьютором и эксклюзивным представителем в России одного из крупнейших производителей разъемов военного и аэрокосмического назначения «JONHON», а так же официальным дистрибьютором и эксклюзивным представителем в России производителя высокотехнологичных и надежных решений для передачи СВЧ сигналов «FORSTAR».



## JONHON

«JONHON» (основан в 1970 г.)

Разъемы специального, военного и аэрокосмического назначения:

(Применяются в военной, авиационной, аэрокосмической, морской, железнодорожной, горно- и нефтедобывающей отраслях промышленности)

«FORSTAR» (основан в 1998 г.)

ВЧ соединители, коаксиальные кабели,  
кабельные сборки и микроволновые компоненты:

(Применяются в телекоммуникациях гражданского и специального назначения, в средствах связи, РЛС, а так же военной, авиационной и аэрокосмической отраслях промышленности).



Телефон: 8 (812) 309-75-97 (многоканальный)

Факс: 8 (812) 320-03-32

Электронная почта: [ocean@oceanchips.ru](mailto:ocean@oceanchips.ru)

Web: <http://oceanchips.ru/>

Адрес: 198099, г. Санкт-Петербург, ул. Калинина, д. 2, корп. 4, лит. А