

8LT Series



Applications

High density connectors for all military and aeronautical purposes.

Standards

MIL-C 38999 Series I - QPL approved
NFC 93422 HE 308
DTAT-C 5935 X 0005 (HE 308 standard)
GAM/T1 list



Description

- High density connector from 1 to 128 contacts
- Sizes 22D, 20, 16, 12, # 16 coax and # 8 triax
- Bayonet locking system
- 100% scoop proof

Characteristics

Mechanical

- Shell : aluminum alloy
- Plating :
 - olive green cadmium (B)
 - nickel (F)
- Insulator : thermoplastic
- Grommet and seal : silicone elastomer
- Contact : copper alloy
- Plating : gold over nickel
- Endurance : 500 cycles
- Shock : 300 g during 3 ms and MIL-S901 grade A
- Vibration : sine 10 to 2000 H 30 g random 100 to 300 Hz - 5 (g²/Hz)
- Contact retention : (mini force in N)
 - size 22 D : 45 N size 20 : 67 N
 - size 16 : 110 N size 12 : 110 N
 - size 8 : 110 N

Electrical

Test voltage (Vrms)

| Service | sea level | at 21000 m |
|---------|-----------|------------|
| M | 1300 | 800 |
| I | 1800 | 1000 |
| II | 2300 | 1000 |

- Contact resistance :
 - resistance of wire included in measurement :
 - size 22D : 14.6 mΩ size 20 : 7.3 mΩ
 - size 16 : 3.8 mΩ size 12 : 1.7 mΩ
- Insulation resistance : ≥ 5000 MΩ (at 500 Vdc)
- Contact rating :
 - size 22D : 5 A size 20 : 7.5 A
 - size 16 : 13 A size 12 : 23 A
- Shell continuity :
 - olive green plating : 2.5 mΩ
 - nickel plating : 1 mΩ
- Shielding : - 90 dB to 100 MHz
- 50 dB to 10000 MHz
- Triaxial contact : # 8
 - bandwidth : 0 - 20 MHz
 - voltage rating : 500 Vac Max.
125 Vac at 21000 m
 - voltage drop :
inner and middle contact ≤ 55 mV under 1A
outer contact ≤ 75 mV under 12A

Climatic

- Temperature range :
 - cadmium plating (B) : -65°C +175°C
 - nickel plating (F) : -65°C +200°C
- Sealing : mated connectors
 - differential pressure 2 bars
 - leakage ≤ 16 cm³/hr
- Salt spray to :
 - MIL STD 1344 method 1001
 - 500 hours (version B)
 - 48 hours (version F)
 - NFC 93422
 - 48 hours (version F)
- Damp heat :
 - MIL-C 38999 : 10 cycles 24 hrs
 - NFC 93422 : 56 days

Resistance to fluids

To MIL-C 38999 :

- MIL-L 7808 • MIL-L 23699
- MIL-H 5606 • MIL-A 8243
- MIL-C 25769 • MIL-T 5624 (JP5)
- hydraulic fluids • solvents

To NFC 93422 :

F46 - F54 - 0/180 - H515 - H542 - XH45

Connectors ordering information

FCI Souriau part numbers

| basic series | 8LT | 0 | - | 13 | B | 35 | P | N |
|-----------------------|--|---|---|----|---|----|---|---|
| shell type | <ul style="list-style-type: none"> 0 - square flange receptacle 3 - square flange receptacle (rear mounting) 2 - square flange receptacle not accepting backshell 7 - jam nut receptacle 1 - cable connecting receptacle 5 - plug with RFI shielding | | | | | | | |
| designator | <ul style="list-style-type: none"> — - connectors with standard crimp contacts L - receptacle with long spill (male and female # 22D) C - receptacle with short spill (male and female # 22D, # 20, # 16) T - receptacle with male contacts size 20 for wire wrap (2 wraps) W - receptacle with male contacts size 22 for wire wrap (3 wraps) | | | | | | | |
| shell size | 09-11-13-15-17-19-21-23-25 | | | | | | | |
| plating | <ul style="list-style-type: none"> F - nickel B - olive green cadmium (MIL-C 38999 - HE 308) | | | | | | | |
| contact layout | - see table p 120 | | | | | | | |
| contact type | <ul style="list-style-type: none"> P - male S - female A - male connector supplied less contact or with specific contacts B - female connector supplied less contact or with specific contacts | | | | | | | |
| polarization | <ul style="list-style-type: none"> N - normal A-B-C-D - see table p 77 | | | | | | | |

Note : connectors supplied with standard contacts

8LT Series



MIL-C 38999 part numbers

| | | | | | | | | |
|-----------------------|--|--------------|--|-----------|------------|-----------|----------|----------|
| basic series | MS | 27466 | T | 13 | B | 35 | P | • |
| shell type | 27466 - square flange receptacle (front mounting) 27656 - square flange receptacle (rear mounting) 27468 - jam nut receptacle 27467 - plug with RFI shielding | | | | | | | |
| class | T - with thread for backshell, supplied less backshell | | | | | | | |
| shell size | 09-11-13-15-17-19-21-23-25 | | | | | | | |
| plating | B - olive green cadmium | | | | F - nickel | | | |
| contact layout | - see table p 120 | | | | | | | |
| contact type | P - male | | A - male connector supplied less contact or with specific contacts | | | | | |
| | S - female | | B - female connector supplied less contact or with specific contacts | | | | | |
| polarization | N - Normal (not included in part number) | | | | | | | |
| | A-B-C-D - see table p 77 | | | | | | | |

Note : connectors supplied with MIL-C contacts

HE 308 part numbers

| | | | | | | | | | |
|----------------------------------|--|----------|-----------|--------------------------|----------|----------|----------|----------|----------|
| basic series | HE308 - 00 | T | 13 | - 35 | P | N | 7 | M | • |
| shell type | 00 - square flange receptacle 07 - jam nut receptacle 06 - plug with RFI shielding 11 - jam nut receptacle with straight spill contacts | | | | | | | | |
| class | T - sealed | | | | | | | | |
| shell size | 09-11-13-15-17-19-21-23-25 | | | | | | | | |
| contact layout | - see table p 120 | | | | | | | | |
| contact type | P - male | | | S - female | | | | | |
| polarization | N - normal | | | A-B-C-D - see table p 77 | | | | | |
| plating | 6 - nickel | | | 7 - olive green cadmium | | | | | |
| contractual specification | | | | | | | | | |
| specification | - connector supplied with contact : (without specification) | | | | | | | | |
| | L - connector supplied without contact | | | | | | | | |

Backshells ordering information

FCI Souriau part numbers

| | | | | | | | | | | | | | | |
|-----------------------|---|-----|-----|-----|-----|---|-----|-----|-----|--|------------|----------|-----------|----------|
| basic series | 8LST | | | | | | | | | | 103 | G | 01 | • |
| shell size | 09 | 11 | 13 | 15 | 17 | 19 | 21 | 23 | 25 | | | | | |
| index number | 101 | 102 | 103 | 104 | 105 | 106 | 107 | 108 | 109 | | | | | |
| plating | B - olive green cadmium | | | | | F - nickel | | | | | | | | |
| backshell type | 01 - backnut | | | | | 03 - elbow cable clamp | | | | | | | | |
| | 02 - straight cable-clamp | | | | | 07 - backshell for screen termination and heatshrink boot | | | | | | | | |
| suffix | for backshell type 07 only | | | | | | | | | | | | | |
| | 1 - for receptacle type 0 (shells 09 to 25) | | | | | 2 - for receptacle type 7 (shells 09 to 25) | | | | | | | | |
| | - for plug type 5 (shells 09 to 23) | | | | | - for plug type 5 (shell 25 only) | | | | | | | | |

HE 308 part numbers

| | | | | | | | | |
|----------------------------------|---|--|--|---|-----------|----------|----------|----------|
| basic series | HE 308 - 13 | | | | 13 | 1 | 7 | M |
| backshell type | 13 - backshell for screen termination and heatshrink boot | | | | | | | |
| shell size | 09-11-13-15-17-19-21-23-25 | | | | | | | |
| designator | 1 - for receptacle type 0 (shells 09 to 25) | | | 2 - for receptacle type 7 (shells 09 to 25) | | | | |
| | - for plug type 5 (shells 09 to 23) | | | - for plug type 5 (shell 25 only) | | | | |
| plating | 6 - nickel | | | 7 - olive green cadmium | | | | |
| contractual specification | | | | | | | | |

8LT Series



Cross reference list : FCI Souriau part numbers, HE 308 and MIL-C 38999 standards

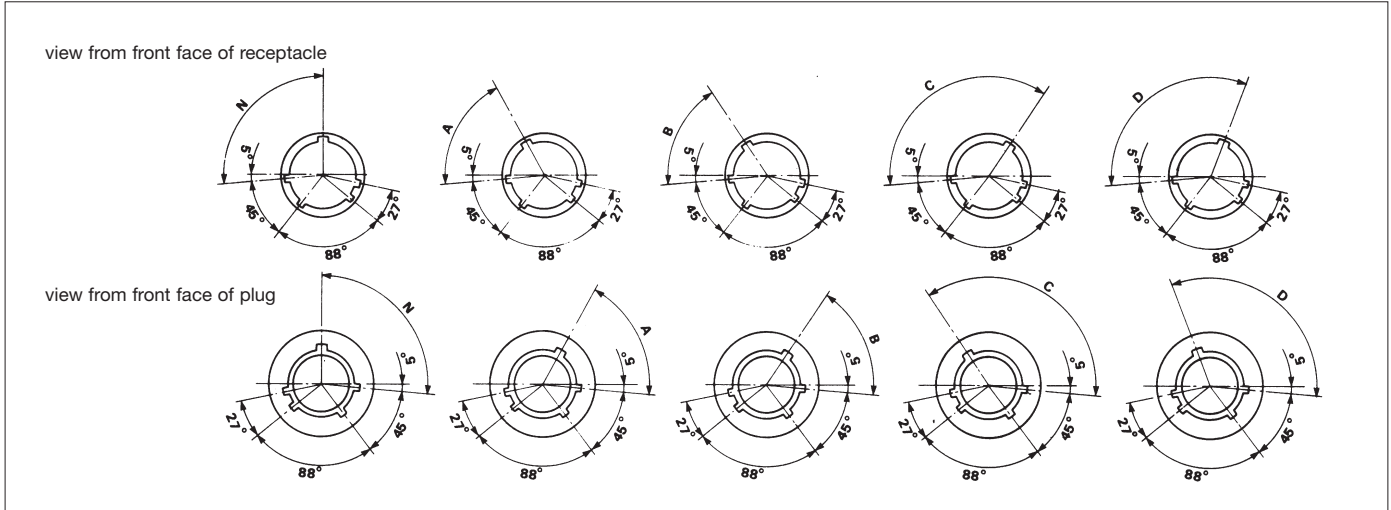
| FCI Souriau | NFC 93422 / HE 308 | MIL-C 38999 Series I | Designation |
|------------------|-----------------------|----------------------|--|
| 8LT1 - ●● B ●● □ | _____ | _____ | cable connecting receptacle |
| 8LT0 - ●● B ●● □ | HE308-00T ●● - ●● □ 7 | MS27466T ●● B ●● □ | square flange receptacle |
| 8LT3 - ●● B ●● □ | _____ | MS27656T ●● B ●● □ | square flange receptacle (rear mounting) |
| 8LT7 - ●● B ●● □ | HE308-07T ●● - ●● □ 7 | MS27468T ●● B ●● □ | jam nut receptacle |
| 8LT0 - ●● F ●● □ | HE308-00T ●● - ●● □ 6 | MS27466T ●● F ●● □ | square flange receptacle |
| 8LT3 - ●● F ●● □ | _____ | MS27656T ●● F ●● □ | square flange receptacle (rear mounting) |
| 8LT7 - ●● F ●● □ | HE308-07T ●● - ●● □ 6 | MS27468T ●● F ●● □ | jam nut receptacle |
| 8LT1 - ●● F ●● □ | _____ | _____ | cable connecting receptacle |
| 8LT2 - ●● B ●● □ | _____ | _____ | square flange receptacle not accepting backshell |
| 8LT2 - ●● F ●● □ | _____ | _____ | square flange receptacle not accepting backshell |
| 8LT5 - ●● B ●● □ | HE308-06T ●● - ●● □ 7 | MS2746T ●● B ●● □ | plug with RFI shielding |
| 8LT5 - ●● F ●● □ | HE308-06T ●● - ●● □ 6 | MS2746T ●● F ●● □ | plug with RFI shielding |
| 8LST ●● G01 | _____ | _____ | backnut |
| 8LST ●● G02 | HE308-11 ●● 27 | _____ | straight cable clamp |
| 8LST ●● G03 | HE308-12 ●● 27 | _____ | elbow cable clamp |
| 8LST ●● B071 | HE308-13 ●● 17 | _____ | backshell for screen termination and heatshrink sleeving |
| 8LST ●● B072 | HE308-13 ●● 27 | _____ | backshell for screen termination and heatshrink sleeving |
| 8LST ●● B01 | _____ | M85049/27-●●W | backnut |
| 8LST ●● B02 | _____ | _____ | straight cable clamp |
| 8LST ●● B03 | _____ | _____ | elbow cable clamp |
| 8LST ●● F01 | _____ | M85049/27-●●N | backnut |
| 8LST ●● F02 | HE308-11 ●● 26 | _____ | straight cable clamp |
| 8LST ●● F03 | HE308-12 ●● 26 | _____ | elbow cable clamp |
| 8LST ●● F071 | HE308-13 ●● 16 | _____ | backshell for screen termination and heatshrink sleeving |
| 8LST ●● F072 | HE308-13 ●● 26 | _____ | backshell for screen termination and heatshrink sleeving |
| 8LTE04G ●● | HE308-B00 ●● 7 | _____ | cap for square flange receptacle |
| 8LTE06G ●● | HE308-B07 ●● 7 | _____ | cap for jam nut receptacle |
| 8LTE04F ●● | HE308-B00 ●● 6 | _____ | cap for square flange receptacle |
| 8LTE06F ●● | HE308-B07 ●● 6 | _____ | cap for jam nut receptacle |
| 8LTF05G ●● | HE308-B16 ●● 7 | _____ | cap for plug |
| 8LTF07G ●● | HE308-B06 ●● 7 | _____ | cap for plug |
| 8LTF05F ●● | HE308-B16 ●● 6 | _____ | cap for plug |
| 8LTF07F ●● | HE308-B06 ●● 6 | _____ | cap for plug |
| M39029/58-360 | _____ | M39029/58-360 | male contact # 22D |
| M39029/58-363 | _____ | M39029/58-363 | male contact # 20 |
| M39029/58-364 | _____ | M39029/58-364 | male contact # 16 |
| M39029/58-365 | _____ | M39029/58-365 | male contact # 12 |
| M39029/56-348 | _____ | M39029/56-348 | female contact # 22D |
| M39029/56-351 | _____ | M39029/56-351 | female contact # 20 |
| M39029/56-352 | _____ | M39029/56-352 | female contact # 16 |
| M39029/56-353 | _____ | M39029/56-353 | female contact # 12 |
| 8599-0988 | _____ | M39029/90-529 | male triaxial contact # 8 |
| 8599-0998 | _____ | M39029/91-530 | female triaxial contact # 8 |
| 8660-212 | _____ | MS27488-22 | filler plug # 22D |
| 8522-389A | _____ | MS27488-20 | filler plug # 20 |
| 8522-390A | _____ | MS27488-16 | filler plug # 16 |
| 8522-391A | _____ | MS27488-12 | filler plug # 12 |
| 8599-0308 | _____ | _____ | dummy contact # 8 |
| 8599-0022 | _____ | M81969/14-01 | plastic tool for contact # 22D |
| 8522-20 | _____ | M81969/14-10 | plastic tool for contact # 20 |
| 8522-16 | _____ | M81869/14-03 | plastic tool for contact # 16 |
| 8522-12 | _____ | M81969/14-04 | plastic tool for contact # 12 |
| 8660-197 | _____ | _____ | tool for contact # 8 |

8LT Series



Polarization

Polarization is determined by the master keyway position. The secondary keyway positions remain fixed.



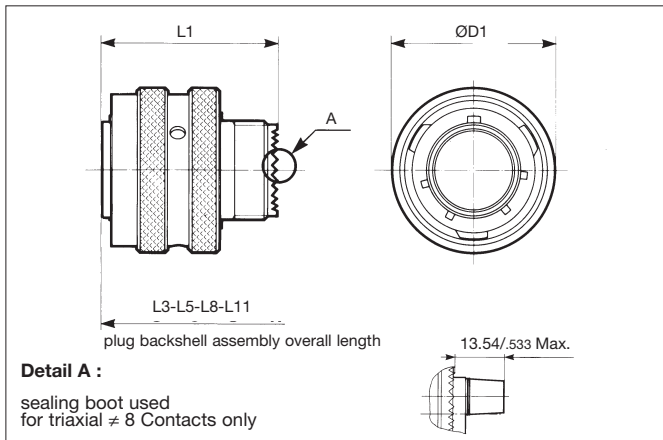
| Shell size | Contacts layout | Service | | | Number of contacts | | | | | Angles in degrees | | | | |
|------------|-----------------|---------|---|----|--------------------|------|------|------|-----|-------------------|----|----|-----|-----|
| | | M | I | II | # 22D | # 20 | # 16 | # 12 | # 8 | N | A | B | C | D |
| 09 | 09-35 | X | | | 6 | | | | | 95 | 77 | - | - | 113 |
| | 09-98 | | X | | | 3 | | | | 95 | 77 | - | - | 113 |
| 11 | 11-35 | X | | | 13 | | | | | 95 | 81 | 67 | 123 | 109 |
| | 11-98 | | X | | | 6 | | | | 95 | 81 | 67 | 123 | 109 |
| | 11-01 | | | X | | | | 1 | | 95 | 81 | 67 | 123 | 109 |
| | 11-05 | | X | | | 5 | | | | 95 | 81 | 67 | 123 | 109 |
| | 11-04 | | X | | | 4 | | | | 95 | 81 | 67 | 123 | 109 |
| 13 | 13-35 | X | | | 22 | | | | | 95 | 75 | 63 | 127 | 115 |
| | 13-98 | | X | | | 10 | | | | 95 | 75 | 63 | 127 | 115 |
| | 13-08 | | X | | | 8 | | | | 95 | 75 | 63 | 127 | 115 |
| 15 | 15-35 | X | | | 37 | | | | | 95 | 74 | 61 | 129 | 116 |
| | 15-19 | | X | | | 19 | | | | 95 | 74 | 61 | 129 | 116 |
| | 15-05 | | | X | | | 5 | | | 95 | 74 | 61 | 129 | 116 |
| | 15-97 | | X | | | 8 | 4 | | | 95 | 74 | 61 | 129 | 116 |
| | 15-18 | | X | | | 18 | | | | 95 | 74 | 61 | 129 | 116 |
| 17 | 17-35 | X | | | 55 | | | | | 95 | 77 | 65 | 125 | 113 |
| | 17-26 | | X | | | 26 | | | | 95 | 77 | 65 | 125 | 113 |
| | 17-06 | | X | | | | | 6 | | 95 | 77 | 65 | 125 | 113 |
| | 17-08 | | | X | | | 8 | | | 95 | 77 | 65 | 125 | 113 |
| | 17-99 | | X | | | 21 | 2 | | | 95 | 77 | 65 | 125 | 113 |
| | 17-75 | | X | | | | | | 2 | 95 | 77 | 65 | 125 | 113 |
| 19 | 19-35 | X | | | 66 | | | | | 95 | 77 | 65 | 125 | 113 |
| | 19-32 | | X | | | 32 | | | | 95 | 77 | 65 | 125 | 113 |
| | 19-11 | | | X | | | 11 | | | 95 | 77 | 65 | 125 | 113 |
| 21 | 21-35 | X | | | 79 | | | | | 95 | 77 | 65 | 125 | 113 |
| | 21-41 | | X | | | 41 | | | | 95 | 77 | 65 | 125 | 113 |
| | 21-16 | | | X | | | 16 | | | 95 | 77 | 65 | 125 | 113 |
| | 21-11 | | | X | | | | 11 | | 95 | 77 | 65 | 125 | 113 |
| | 21-39 | | X | | | 37 | 2 | | | 95 | 77 | 65 | 125 | 113 |
| | 21-75 | | | | | | | | 4 | 95 | 77 | 65 | 125 | 113 |
| 23 | 23-35 | X | | | 100 | | | | | 95 | 80 | 69 | 121 | 110 |
| | 23-53 | | X | | | 53 | | | | 95 | 80 | 69 | 121 | 110 |
| | 23-21 | | | X | | | 21 | | | 95 | 80 | 69 | 121 | 110 |
| 25 | 25-35 | X | | | 128 | | | | | 95 | 80 | 69 | 121 | 110 |
| | 25-61 | | X | | | 61 | | | | 95 | 80 | 69 | 121 | 110 |
| | 25-46 | | X | | | 40 | 4 | | | 95 | 80 | 69 | 121 | 110 |
| | 25-19 | | X | | | | | 19 | | 95 | 80 | 69 | 121 | 110 |
| | 25-29 | | X | | | | 29 | | | 95 | 80 | 69 | 121 | 110 |
| | 25-43 | | X | | | 23 | 20 | | | 95 | 80 | 69 | 121 | 110 |
| | 25-24 | | X | | | | 12 | 12 | | 95 | 80 | 69 | 121 | 110 |

8LT Series

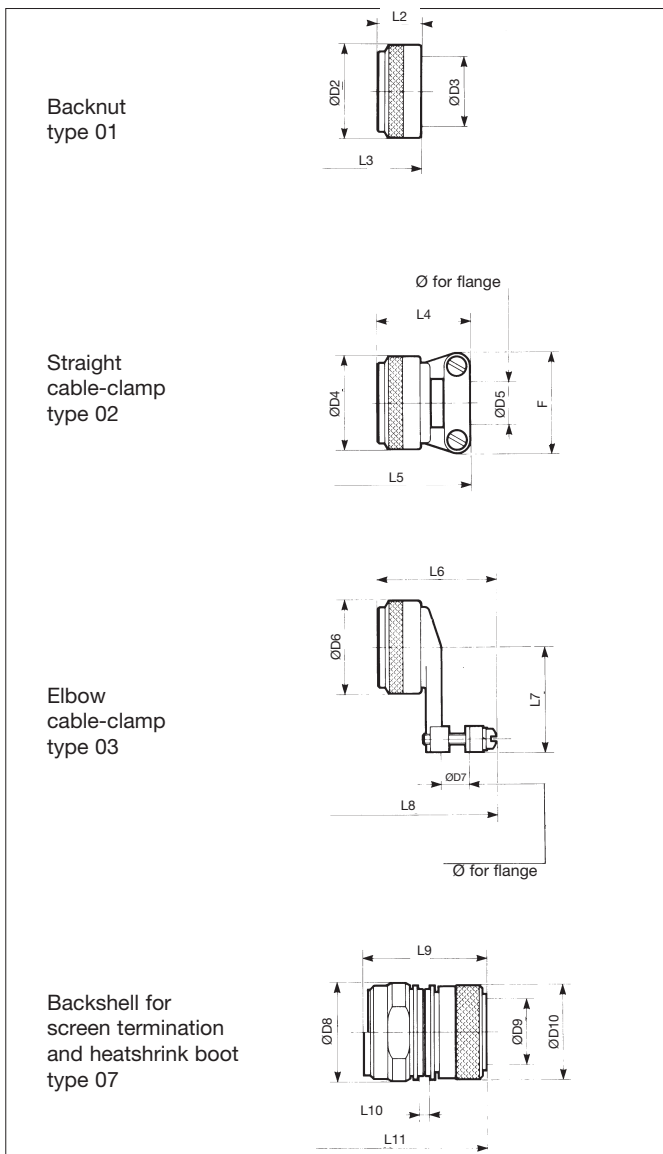


Dimensions

Plug type 5



Backshells

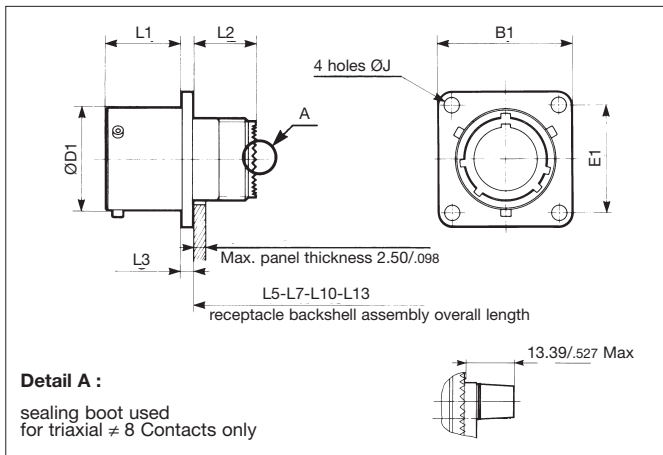


| shell size | | 09 | 11 | 13 | 15 | 17 | 19 | 21 | 23 | 25 |
|------------|--------|----------------|----------------|----------------|----------------|----------------|----------------|----------------|----------------|----------------|
| D 1 | Max | 21.80 .858 | 25.00 .984 | 29.00 1.142 | 32.50 1.280 | 35.70 1.406 | 38.50 1.516 | 41.70 1.642 | 44.85 1.766 | 48.00 1.890 |
| | L1 | 31.32 1.233 | 31.32 1.233 | 31.32 1.233 | 31.32 1.233 | 31.32 1.233 | 31.32 1.233 | 31.32 1.233 | 31.32 1.233 | 31.32 1.233 |
| D 2 | Max | 15.67 .617 | 18.64 .734 | 21.79 .858 | 24.99 .984 | 28.24 1.112 | 30.94 1.218 | 34.16 1.345 | 37.29 1.468 | 40.46 1.593 |
| | D 3 | 6.96 .274 | 10.46 .412 | 13.36 .526 | 16.53 .651 | 19.71 .776 | 22.40 .882 | 25.56 1.006 | 28.75 1.132 | 31.93 1.257 |
| L 2 | Max | 11.30 .445 | 11.30 .445 | 11.30 .445 | 11.30 .445 | 11.30 .445 | 11.30 .445 | 11.30 .445 | 11.30 .445 | 11.30 .445 |
| | L 3 | 36.66 1.443 | 36.66 1.443 | 36.66 1.443 | 36.66 1.443 | 36.66 1.443 | 36.66 1.443 | 36.66 1.443 | 36.66 1.443 | 36.66 1.443 |
| D 4 | Max | 15.67 .617 | 18.64 .734 | 21.79 .858 | 24.99 .984 | 28.24 1.112 | 30.94 1.218 | 34.16 1.345 | 37.29 1.468 | 40.46 1.593 |
| | D 5 | 1.40 .055 | 1.40 .055 | 2.40 .094 | 5.60 .220 | 5.60 .220 | 8.80 .346 | 11.90 .469 | 15.10 .594 | 15.10 .594 |
| D 5 | Min | 1.40 .055 | 1.40 .055 | 2.40 .094 | 5.60 .220 | 5.60 .220 | 8.80 .346 | 11.90 .469 | 15.10 .594 | 15.10 .594 |
| | Max | 3.20 .126 | 4.80 .189 | 6.40 .252 | 9.50 .374 | 12.70 .500 | 15.90 .626 | 19.10 .752 | 22.20 .874 | 25.40 1.000 |
| F | Max | 21.03 .828 | 22.63 .891 | 25.81 1.016 | 28.98 1.141 | 30.56 1.203 | 37.31 1.469 | 37.31 1.469 | 42.06 1.656 | 44.45 1.750 |
| | L 4 | 22.22 .875 | 22.22 .875 | 22.22 .875 | 28.57 1.125 | 28.57 1.125 | 28.57 1.125 | 28.57 1.125 | 31.75 1.250 | 31.75 1.250 |
| L 5 | Max | 47.22 1.859 | 48.02 1.891 | 49.52 1.950 | 55.92 2.202 | 59.42 2.339 | 59.42 2.339 | 59.42 2.339 | 59.42 2.339 | 59.42 2.339 |
| | D 6 | 15.67 .617 | 18.64 .734 | 21.79 .858 | 24.99 .984 | 28.24 1.112 | 30.94 1.218 | 34.16 1.345 | 37.29 1.468 | 40.46 1.593 |
| D 7 | Min | 3.20 .126 | 4.00 .157 | 4.80 .189 | 5.50 .217 | 6.40 .252 | 7.90 .311 | 9.50 .374 | 10.30 .406 | 14.30 .563 |
| | Max | 6.40 .252 | 9.50 .374 | 11.10 .437 | 14.30 .563 | 15.90 .626 | 19.10 .752 | 22.20 .874 | 23.80 .937 | 25.40 1.000 |
| L 6 | Max | 35.32 1.391 | 35.32 1.391 | 37.30 1.469 | 41.67 1.641 | 46.04 1.813 | 46.45 1.829 | 48.43 1.907 | 51.98 2.046 | 54.78 2.157 |
| | L 7 | 25.40 1.000 | 26.19 1.031 | 27.79 1.094 | 30.96 1.219 | 32.54 1.281 | 34.14 1.344 | 34.93 1.375 | 36.53 1.438 | 43.66 1.719 |
| L 8 | Max | 60.68 2.389 | 60.68 2.389 | 62.66 2.467 | 67.03 2.639 | 71.40 2.811 | 71.81 2.827 | 73.79 2.905 | 77.34 3.045 | 80.14 3.155 |
| | D 8 | 20.20 .795 | 23.20 .913 | 26.20 1.031 | 29.20 1.150 | 32.20 1.268 | 35.20 1.386 | 39.20 1.543 | 42.20 1.661 | 45.20 1.780 |
| D 9 | Min | 6.90 .272 | 9.60 .378 | 12.70 .500 | 14.80 .583 | 17.90 .705 | 19.90 .783 | 23.10 .909 | 26.20 1.031 | 28.80 1.134 |
| | Max | 7.00 .276 | 9.70 .382 | 12.80 .504 | 14.90 .587 | 18.00 .709 | 20.00 .787 | 23.20 .913 | 26.30 1.035 | 28.90 1.138 |
| D 10 | Max | 16.00 .630 | 18.90 .744 | 22.10 .870 | 25.30 .996 | 28.50 1.122 | 31.50 1.240 | 34.70 1.366 | 37.90 1.492 | 41.00 1.614 |
| | L 9 | 27.80 1.094 | 27.80 1.094 | 27.80 1.094 | 29.80 1.173 | 29.80 1.173 | 30.80 1.213 | 34.60 1.362 | 34.60 1.362 | - |
| L 9 | type 1 | 27.80 1.094 | 27.80 1.094 | 27.80 1.094 | 29.80 1.173 | 29.80 1.173 | 30.80 1.213 | 34.60 1.362 | 34.60 1.362 | - |
| | type 2 | - | - | - | - | - | - | - | - | 33.50 1.319 |
| L 10 | Max | 3.40 .134 | 3.40 .134 | 3.40 .134 | 3.40 .134 | 3.40 .134 | 3.40 .134 | 3.40 .134 | 3.40 .134 | 3.40 .134 |
| | L 11 | 52.22 2.056 | 52.22 2.056 | 52.22 2.056 | 54.22 2.135 | 54.22 2.135 | 55.22 2.174 | 59.02 2.324 | 59.02 2.324 | 59.02 2.324 |

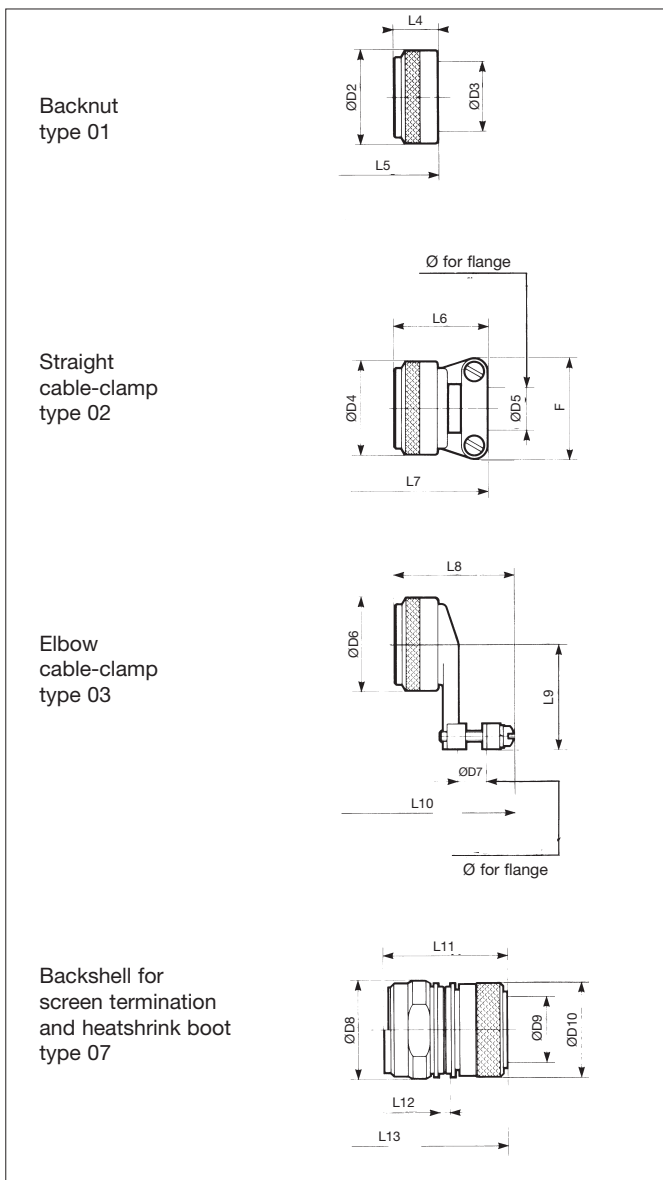
8LT Series



Receptacle type 0



Backshells

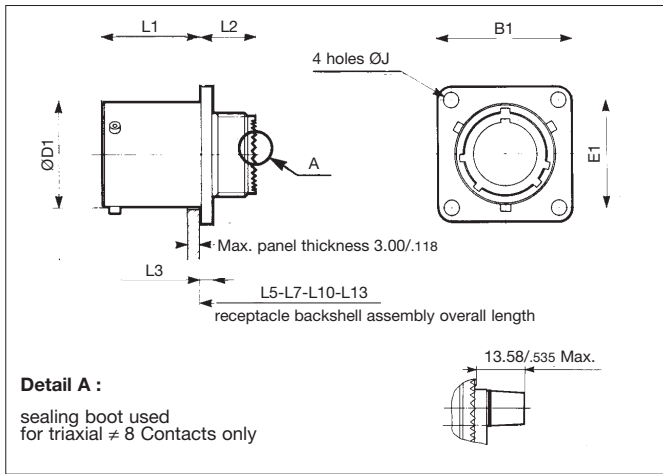


| shell size | | 09 | 11 | 13 | 15 | 17 | 19 | 21 | 23 | 25 |
|------------|-----|----------------|----------------|----------------|----------------|----------------|----------------|----------------|----------------|----------------|
| B1 | Max | 24.25 .955 | 26.60 1.047 | 29.00 1.142 | 31.35 1.234 | 33.75 1.329 | 36.90 1.453 | 40.10 1.579 | 43.25 1.703 | 46.50 1.831 |
| | E1 | 18.26 .719 | 20.62 .812 | 23.01 .906 | 24.61 .969 | 26.97 1.062 | 29.36 1.156 | 31.75 1.250 | 34.93 1.375 | 38.10 1.500 |
| D1 | | 14.53 .572 | 17.78 .700 | 21.59 .850 | 24.77 .975 | 27.94 1.100 | 30.66 1.207 | 33.83 1.332 | 37.00 1.457 | 40.18 1.582 |
| | J | 3.25 .128 | 3.25 .128 | 3.25 .128 | 3.25 .128 | 3.25 .128 | 3.25 .128 | 3.25 .128 | 3.73 .147 | 3.73 .147 |
| L1 | Max | 16.05 .632 | 16.05 .632 | 16.05 .632 | 16.05 .632 | 16.05 .632 | 16.05 .632 | 15.29 .602 | 15.29 .602 | 15.29 .602 |
| | L2 | 13.49 .531 | 13.49 .531 | 13.49 .531 | 13.49 .531 | 13.49 .531 | 13.49 .531 | 13.49 .531 | 13.49 .531 | 13.49 .531 |
| L3 | Max | 2.48 .098 | 2.48 .098 | 2.48 .098 | 2.48 .098 | 2.48 .098 | 2.48 .098 | 3.24 .128 | 3.24 .128 | 3.24 .128 |
| | D2 | 15.67 .617 | 18.64 .734 | 21.79 .858 | 24.99 .984 | 28.24 1.112 | 30.94 1.218 | 34.16 1.345 | 37.29 1.468 | 40.46 1.593 |
| D3 | Max | 6.96 .274 | 10.46 .412 | 13.36 .526 | 16.53 .651 | 19.71 .776 | 22.40 .882 | 25.56 1.006 | 28.75 1.132 | 31.93 1.257 |
| | L4 | 11.30 .445 | 11.30 .445 | 11.30 .445 | 11.30 .445 | 11.30 .445 | 11.30 .445 | 11.30 .445 | 11.30 .445 | 11.30 .445 |
| L5 | Max | 18.83 .741 | 18.83 .741 | 18.83 .741 | 18.83 .741 | 18.83 .741 | 18.83 .741 | 18.83 .741 | 18.83 .741 | 18.83 .741 |
| | D4 | 15.67 .617 | 18.64 .734 | 21.79 .858 | 24.99 .984 | 28.24 1.112 | 30.94 1.218 | 34.16 1.345 | 37.29 1.468 | 40.46 1.593 |
| D5 | min | 1.40 .055 | 1.40 .055 | 2.40 .094 | 5.60 .220 | 5.60 .220 | 8.80 .346 | 11.90 .469 | 15.10 .594 | 15.10 .594 |
| | Max | 3.20 .126 | 4.80 .189 | 6.40 .252 | 9.50 .374 | 12.70 .500 | 15.90 .626 | 19.10 .752 | 22.20 .878 | 25.40 1.000 |
| F | Max | 21.03 .828 | 22.63 .891 | 25.81 1.016 | 28.98 1.141 | 30.56 1.203 | 37.31 1.469 | 37.31 1.469 | 42.06 1.656 | 44.45 1.750 |
| | L6 | 22.22 .875 | 22.22 .875 | 22.22 .875 | 28.57 1.125 | 28.57 1.125 | 28.57 1.125 | 28.57 1.125 | 31.75 1.250 | 31.75 1.250 |
| L7 | Max | 29.39 1.157 | 30.19 1.189 | 31.69 1.248 | 38.09 1.500 | 41.59 1.637 | 41.59 1.637 | 41.59 1.637 | 41.59 1.637 | 41.59 1.637 |
| | D6 | 15.67 .617 | 18.64 .734 | 21.79 .858 | 24.99 .984 | 28.24 1.112 | 30.94 1.218 | 34.16 1.345 | 37.29 1.468 | 40.46 1.593 |
| D7 | min | 3.20 .126 | 4.00 .157 | 4.80 .189 | 5.50 .217 | 6.40 .252 | 7.90 .311 | 9.50 .374 | 10.30 .406 | 14.30 .563 |
| | Max | 6.40 .252 | 9.50 .374 | 11.10 .437 | 14.30 .563 | 15.90 .626 | 19.10 .752 | 22.20 .878 | 23.80 .937 | 25.40 1.000 |
| L8 | Max | 35.32 1.391 | 35.32 1.391 | 37.30 1.469 | 41.67 1.641 | 46.04 1.813 | 46.45 1.829 | 48.43 1.907 | 51.98 2.046 | 54.78 2.157 |
| | L9 | 25.40 1.000 | 26.19 1.031 | 27.79 1.094 | 30.96 1.219 | 32.54 1.281 | 34.14 1.344 | 34.93 1.375 | 36.53 1.438 | 43.66 1.719 |
| L10 | Max | 42.85 1.687 | 42.85 1.687 | 44.83 1.765 | 51.00 2.008 | 53.57 2.109 | 53.98 2.125 | 55.96 2.203 | 59.51 2.343 | 62.31 2.453 |
| | D8 | 20.20 .795 | 23.20 .913 | 26.20 1.031 | 29.20 1.150 | 32.20 1.268 | 35.20 1.386 | 39.20 1.543 | 42.20 1.661 | 45.20 1.780 |
| D9 | min | 6.90 .272 | 9.60 .378 | 12.70 .500 | 14.80 .583 | 17.90 .705 | 19.90 .783 | 23.10 .909 | 26.20 1.031 | 28.80 1.134 |
| | Max | 7.00 .276 | 9.70 .382 | 12.80 .504 | 14.90 .587 | 18.00 .709 | 20.00 .787 | 23.20 .913 | 26.30 1.035 | 28.90 1.138 |
| D10 | Max | 16.00 .630 | 18.90 .744 | 22.10 .870 | 25.30 .996 | 28.50 1.122 | 31.50 1.240 | 34.70 1.366 | 37.90 1.492 | 41.00 1.614 |
| | L11 | type 1 | 27.80 1.094 | 27.80 1.094 | 27.80 1.094 | 29.80 1.173 | 29.80 1.173 | 30.80 1.213 | 34.60 1.362 | 34.60 1.362 |
| type 2 | | - | - | - | - | - | - | - | - | - |
| L12 | Max | 3.40 .134 | 3.40 .134 | 3.40 .134 | 3.40 .134 | 3.40 .134 | 3.40 .134 | 3.40 .134 | 3.40 .134 | 3.40 .134 |
| | L13 | 34.39 1.354 | 34.39 1.354 | 34.39 1.354 | 36.39 1.433 | 36.39 1.433 | 37.39 1.472 | 41.19 1.622 | 41.19 1.622 | 41.19 1.622 |

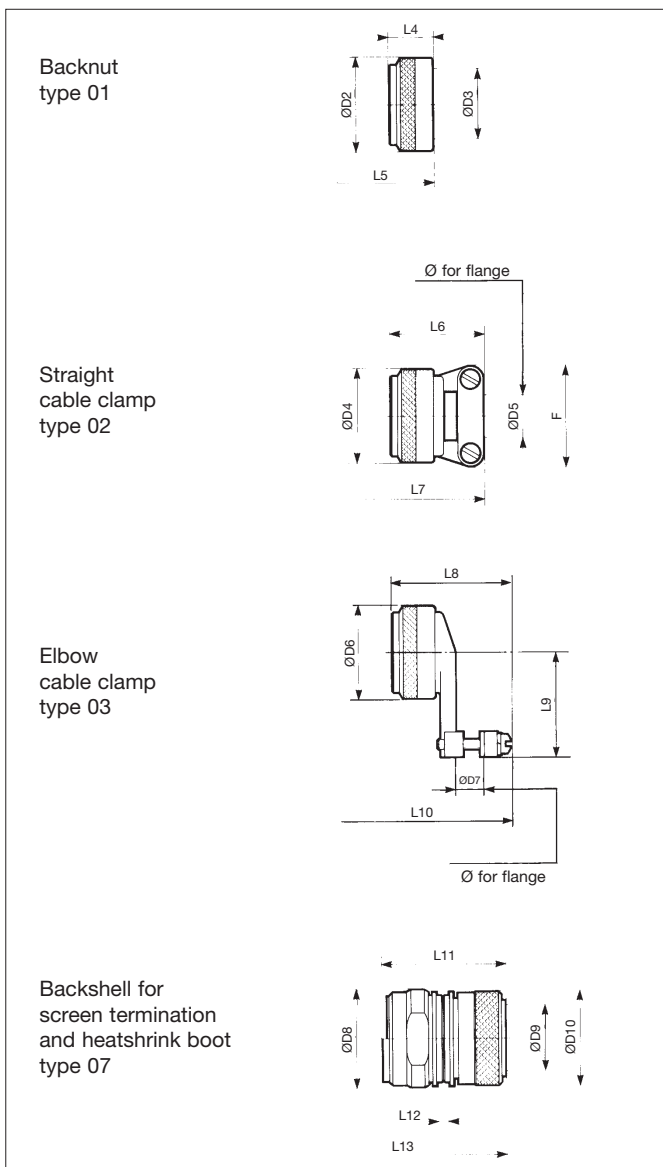
8LT Series



Receptacle type 3



Backshells

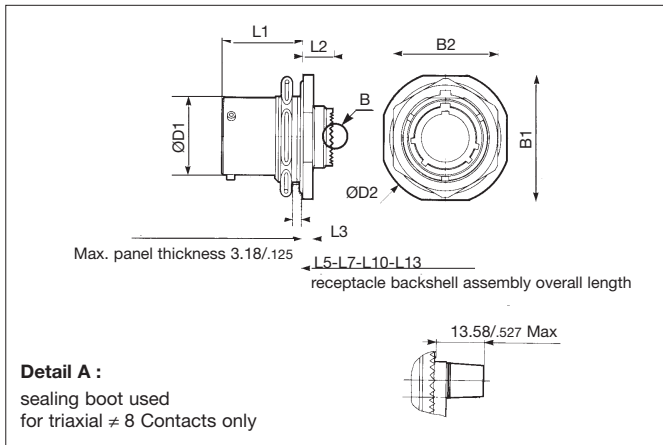


| shell size | | 09 | 11 | 13 | 15 | 17 | 19 | 21 | 23 | 25 |
|------------|-----|----------------|----------------|----------------|----------------|----------------|----------------|----------------|----------------|----------------|
| B1 | Max | 24.25 .955 | 26.60 1.047 | 29.00 1.142 | 31.35 1.234 | 33.75 1.329 | 36.90 1.453 | 40.10 1.579 | 43.25 1.703 | 46.50 1.831 |
| | E1 | 18.26 .719 | 20.62 .812 | 23.01 .906 | 24.61 .969 | 26.97 1.062 | 29.36 1.156 | 31.75 1.250 | 34.93 1.375 | 38.10 1.500 |
| D1 | | 14.53 .572 | 17.78 .700 | 21.59 .850 | 24.77 .975 | 27.94 1.100 | 30.66 1.207 | 33.83 1.332 | 37.00 1.457 | 40.18 1.582 |
| | J | 3.25 .128 | 3.25 .128 | 3.25 .128 | 3.25 .128 | 3.25 .128 | 3.25 .128 | 3.25 .128 | 3.73 .147 | 3.73 .147 |
| L1 | Max | 20.83 .820 | 20.83 .820 | 20.83 .820 | 20.83 .820 | 20.83 .820 | 20.83 .820 | 20.08 .791 | 20.08 .791 | 20.08 .791 |
| | L2 | 10.50 .413 | 10.50 .413 | 10.50 .413 | 10.50 .413 | 10.50 .413 | 10.50 .413 | 11.25 .443 | 11.25 .443 | 11.25 .443 |
| L3 | Max | 2.48 .098 | 2.48 .098 | 2.48 .098 | 2.48 .098 | 2.48 .098 | 2.48 .098 | 3.24 .128 | 3.24 .128 | 3.24 .128 |
| | D2 | 15.67 .617 | 18.64 .734 | 21.79 .858 | 24.99 .984 | 28.24 1.112 | 30.94 1.218 | 34.16 1.345 | 37.29 1.468 | 40.46 1.593 |
| D3 | Max | 6.96 .274 | 10.46 .412 | 13.36 .526 | 16.53 .651 | 19.71 .776 | 22.40 .882 | 25.56 1.006 | 28.75 1.132 | 31.93 1.257 |
| | L4 | 11.30 .445 | 11.30 .445 | 11.30 .445 | 11.30 .445 | 11.30 .445 | 11.30 .445 | 11.30 .445 | 11.30 .445 | 11.30 .445 |
| L5 | Max | 15.85 .624 | 15.85 .624 | 15.85 .624 | 15.85 .624 | 15.85 .624 | 15.85 .624 | 16.60 .654 | 16.60 .654 | 16.60 .654 |
| | D4 | 15.67 .617 | 18.64 .734 | 21.79 .858 | 24.99 .984 | 28.24 1.112 | 30.94 1.218 | 34.16 1.345 | 37.29 1.468 | 40.46 1.593 |
| D5 | min | 1.40 .055 | 1.40 .055 | 2.40 .094 | 5.60 .220 | 5.60 .220 | 8.80 .346 | 11.90 .469 | 15.10 .594 | 15.10 .594 |
| | Max | 3.20 .126 | 4.80 .189 | 6.40 .252 | 9.50 .374 | 12.70 .500 | 15.90 .626 | 19.10 .752 | 22.20 .878 | 25.40 1.000 |
| F | Max | 21.03 .828 | 22.63 .891 | 25.81 1.016 | 28.98 1.141 | 30.56 1.203 | 37.31 1.469 | 37.31 1.469 | 42.06 1.656 | 44.45 1.750 |
| | L6 | 22.22 .875 | 22.22 .875 | 22.22 .875 | 28.57 1.125 | 28.57 1.125 | 28.57 1.125 | 28.57 1.125 | 31.75 1.250 | 31.75 1.250 |
| L7 | Max | 26.40 1.039 | 27.20 1.071 | 28.70 1.130 | 35.10 1.382 | 38.60 1.520 | 38.60 1.520 | 39.40 1.551 | 39.40 1.551 | 39.40 1.551 |
| | D6 | 15.67 .617 | 18.64 .734 | 21.79 .858 | 24.99 .984 | 28.24 1.112 | 30.94 1.218 | 34.16 1.345 | 37.29 1.468 | 40.46 1.593 |
| D7 | min | 3.20 .126 | 4.00 .157 | 4.80 .189 | 5.50 .217 | 6.40 .252 | 7.90 .311 | 9.50 .374 | 10.30 .406 | 14.30 .563 |
| | Max | 6.40 .252 | 9.50 .374 | 11.10 .437 | 14.30 .563 | 15.90 .626 | 19.10 .752 | 22.20 .878 | 23.80 1.000 | 25.40 1.000 |
| L8 | Max | 35.32 1.391 | 35.32 1.391 | 37.30 1.469 | 41.67 1.641 | 46.04 1.813 | 46.45 1.829 | 48.43 1.907 | 51.98 2.046 | 54.78 2.157 |
| | L9 | 25.40 1.000 | 26.19 1.031 | 27.79 1.094 | 30.96 1.219 | 32.54 1.281 | 34.14 1.344 | 34.93 1.375 | 36.53 1.438 | 43.66 1.719 |
| L10 | Max | 39.90 1.571 | 39.90 1.571 | 41.90 1.650 | 48.10 1.894 | 50.60 1.992 | 51.00 2.008 | 53.80 2.118 | 57.30 2.256 | 60.10 2.366 |
| | D8 | 20.20 .795 | 23.20 .913 | 26.20 1.031 | 29.20 1.150 | 32.20 1.268 | 35.20 1.386 | 39.20 1.543 | 42.20 1.661 | 45.20 1.780 |
| D9 | min | 6.90 .272 | 9.60 .378 | 12.70 .500 | 14.80 .583 | 17.90 .705 | 19.90 .783 | 23.10 .909 | 26.20 1.031 | 28.80 1.134 |
| | Max | 7.00 .276 | 9.70 .382 | 12.80 .504 | 14.90 .587 | 18.00 .709 | 20.00 .787 | 23.20 .913 | 26.30 1.035 | 28.90 1.138 |
| D10 | Max | 16.00 .630 | 18.90 .744 | 22.10 .870 | 25.30 1.000 | 28.50 1.122 | 31.50 1.240 | 34.70 1.366 | 37.90 1.492 | 41.00 1.614 |
| | L11 | type 1 | 27.80 1.094 | 27.80 1.094 | 27.80 1.094 | 29.80 1.173 | 29.80 1.173 | 30.80 1.213 | 34.60 1.362 | 34.60 1.362 |
| type 2 | | - | - | - | - | - | - | - | - | - |
| L12 | Max | 3.40 .134 | 3.40 .134 | 3.40 .134 | 3.40 .134 | 3.40 .134 | 3.40 .134 | 3.40 .134 | 3.40 .134 | 3.40 .134 |
| | L13 | 31.40 1.236 | 31.40 1.236 | 31.40 1.236 | 33.40 1.315 | 33.40 1.315 | 34.40 1.354 | 39.00 1.535 | 39.00 1.535 | 39.00 1.535 |

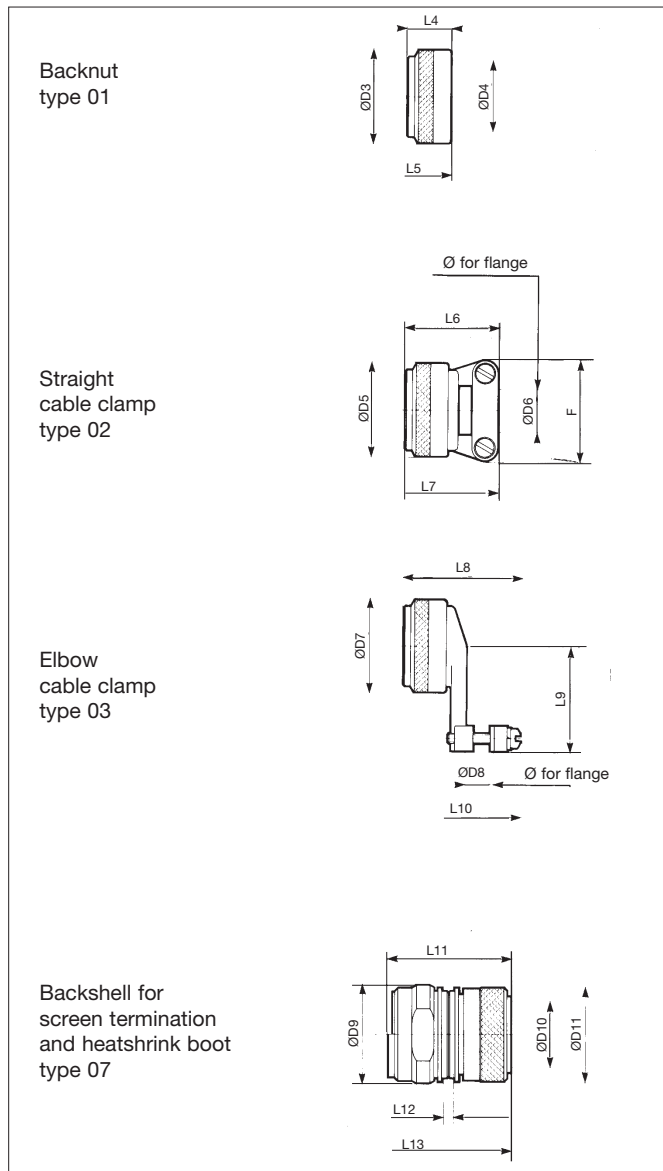
8LT Series



Receptacle type 7



Backshells

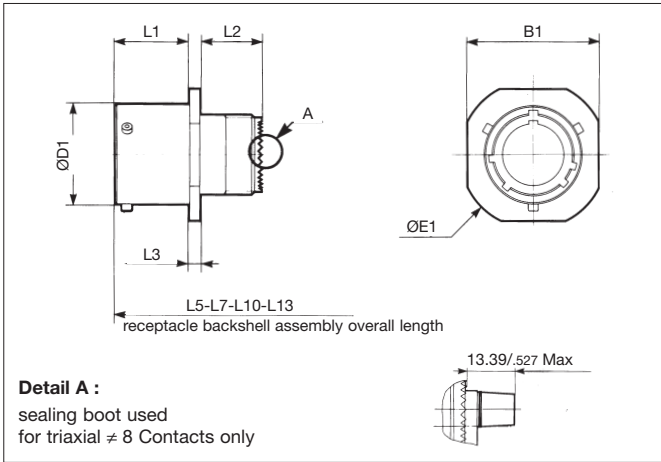


| shell size | | 09 | 11 | 13 | 15 | 17 | 19 | 21 | 23 | 25 |
|------------|--------|----------------|----------------|----------------|----------------|----------------|----------------|----------------|----------------|----------------|
| B1 | Max | 27.35 .1077 | 32.10 .1264 | 35.31 .1390 | 38.49 .1515 | 41.63 .1639 | 46.37 .1826 | 49.58 .1952 | 52.76 .2077 | 55.93 .2202 |
| | | 22.35 .880 | 25.55 1.006 | 30.30 1.193 | 33.45 1.317 | 36.65 1.443 | 39.80 1.567 | 43.00 1.693 | 46.15 1.817 | 50.95 2.006 |
| D1 | | 14.53 .572 | 17.78 .700 | 21.59 .850 | 24.77 .975 | 27.94 1.100 | 30.66 1.207 | 33.83 1.332 | 37.00 1.457 | 40.18 1.582 |
| | Max | 30.54 1.202 | 35.23 1.387 | 38.40 1.512 | 41.64 1.639 | 44.75 1.762 | 49.53 1.950 | 52.67 2.074 | 55.94 2.202 | 59.02 2.324 |
| L1 | Max | 23.36 .920 | 23.36 .920 | 23.36 .920 | 23.36 .920 | 23.36 .920 | 23.36 .920 | 23.36 .920 | 23.36 .920 | 23.36 .920 |
| | Max | 8.32 .328 | 8.32 .328 | 8.32 .328 | 8.32 .328 | 8.32 .328 | 8.32 .328 | 8.32 .328 | 8.32 .328 | 8.32 .328 |
| L3 | Max | 3.00 .118 | 3.00 .118 | 3.00 .118 | 3.00 .118 | 3.00 .118 | 3.79 .149 | 3.79 .149 | 3.79 .149 | 3.79 .149 |
| | Max | 15.67 .617 | 18.64 .734 | 21.79 .858 | 24.99 .984 | 28.24 1.112 | 30.94 1.218 | 34.16 1.345 | 37.29 1.468 | 40.46 1.593 |
| D4 | Max | 6.96 .274 | 10.46 .412 | 13.36 .526 | 16.53 .651 | 19.71 .776 | 22.40 .882 | 25.56 1.006 | 28.75 1.132 | 31.93 1.257 |
| | Max | 11.30 .445 | 11.30 .445 | 11.30 .445 | 11.30 .445 | 11.30 .445 | 11.30 .445 | 11.30 .445 | 11.30 .445 | 11.30 .445 |
| L5 | Max | 13.66 .538 | 13.66 .538 | 13.66 .538 | 13.66 .538 | 13.66 .538 | 13.66 .538 | 13.66 .538 | 13.66 .538 | 13.66 .538 |
| | Max | 15.67 .617 | 18.64 .734 | 21.79 .858 | 24.99 .984 | 28.24 1.112 | 30.94 1.218 | 34.16 1.345 | 37.29 1.468 | 40.46 1.593 |
| D6 | min | 1.40 .055 | 1.40 .055 | 2.40 .094 | 5.60 .220 | 5.60 .220 | 8.80 .346 | 11.90 .469 | 15.10 .594 | 15.10 .594 |
| | Max | 3.20 .126 | 4.80 .189 | 6.40 .252 | 9.50 .374 | 12.70 .500 | 15.90 .626 | 19.10 .752 | 22.20 .878 | 25.40 1.000 |
| F | Max | 21.03 .828 | 22.63 .891 | 25.81 1.016 | 28.98 1.141 | 30.56 1.203 | 37.31 1.469 | 37.31 1.469 | 42.06 1.656 | 44.45 1.750 |
| | Max | 22.22 .875 | 22.22 .875 | 22.22 .875 | 28.57 1.125 | 28.57 1.125 | 28.57 1.125 | 28.57 1.125 | 31.75 1.250 | 31.75 1.250 |
| L7 | Max | 24.22 .954 | 25.02 .985 | 26.52 1.044 | 32.92 1.296 | 36.42 1.434 | 36.42 1.434 | 36.42 1.434 | 36.42 1.434 | 36.42 1.434 |
| | Max | 15.67 .617 | 18.64 .734 | 21.79 .858 | 24.99 .984 | 28.24 1.112 | 30.94 1.218 | 34.16 1.345 | 37.29 1.468 | 40.46 1.593 |
| D8 | min | 3.20 .126 | 4.00 .157 | 4.80 .189 | 5.50 .217 | 6.40 .252 | 7.90 .311 | 9.50 .374 | 10.30 .406 | 14.30 .563 |
| | Max | 6.40 .252 | 9.50 .374 | 11.10 .437 | 14.30 .563 | 15.90 .626 | 19.10 .752 | 22.20 .878 | 23.80 .937 | 25.40 1.000 |
| L8 | Max | 35.32 1.391 | 35.32 1.391 | 37.30 1.469 | 41.67 1.641 | 46.04 1.813 | 46.45 1.829 | 48.43 1.907 | 51.98 2.046 | 54.78 2.157 |
| | Max | 25.40 1.000 | 26.19 1.031 | 27.79 1.094 | 30.96 1.219 | 32.54 1.281 | 34.14 1.344 | 34.93 1.375 | 36.53 1.438 | 43.66 1.719 |
| L10 | Max | 37.68 1.483 | 37.68 1.483 | 39.66 1.561 | 45.83 1.804 | 48.40 1.906 | 48.81 1.922 | 50.79 2.000 | 54.34 2.139 | 57.14 2.250 |
| | Max | 20.20 .795 | 23.20 .913 | 26.20 1.031 | 29.20 1.150 | 32.20 1.268 | 35.20 1.386 | 39.20 1.543 | 42.20 1.661 | 45.20 1.780 |
| D10 | min | 6.90 .272 | 9.60 .378 | 12.70 .500 | 14.80 .583 | 17.90 .705 | 19.90 .783 | 23.10 .909 | 26.20 1.031 | 28.80 1.134 |
| | Max | 7.00 .276 | 9.70 .382 | 12.80 .504 | 14.90 .587 | 18.00 .709 | 20.00 .787 | 23.20 .913 | 26.30 1.035 | 28.90 1.138 |
| D11 | Max | 16.00 .630 | 18.90 .744 | 22.10 .870 | 25.30 .996 | 28.50 1.122 | 31.50 1.240 | 34.70 1.366 | 37.90 1.492 | 41.00 1.614 |
| | type 1 | - | - | - | - | - | - | - | - | - |
| L11 | type 2 | 26.70 1.051 | 26.70 1.051 | 26.70 1.051 | 28.70 1.130 | 28.70 1.130 | 29.70 1.169 | 33.50 1.319 | 33.50 1.319 | 33.50 1.319 |
| | Max | 3.40 .134 | 3.40 .134 | 3.40 .134 | 3.40 .134 | 3.40 .134 | 3.40 .134 | 3.40 .134 | 3.40 .134 | 3.40 .134 |
| L13 | Max | 29.22 1.150 | 29.22 1.150 | 29.22 1.150 | 31.22 1.229 | 31.22 1.229 | 32.22 1.269 | 36.02 1.418 | 36.02 1.418 | 36.02 1.418 |

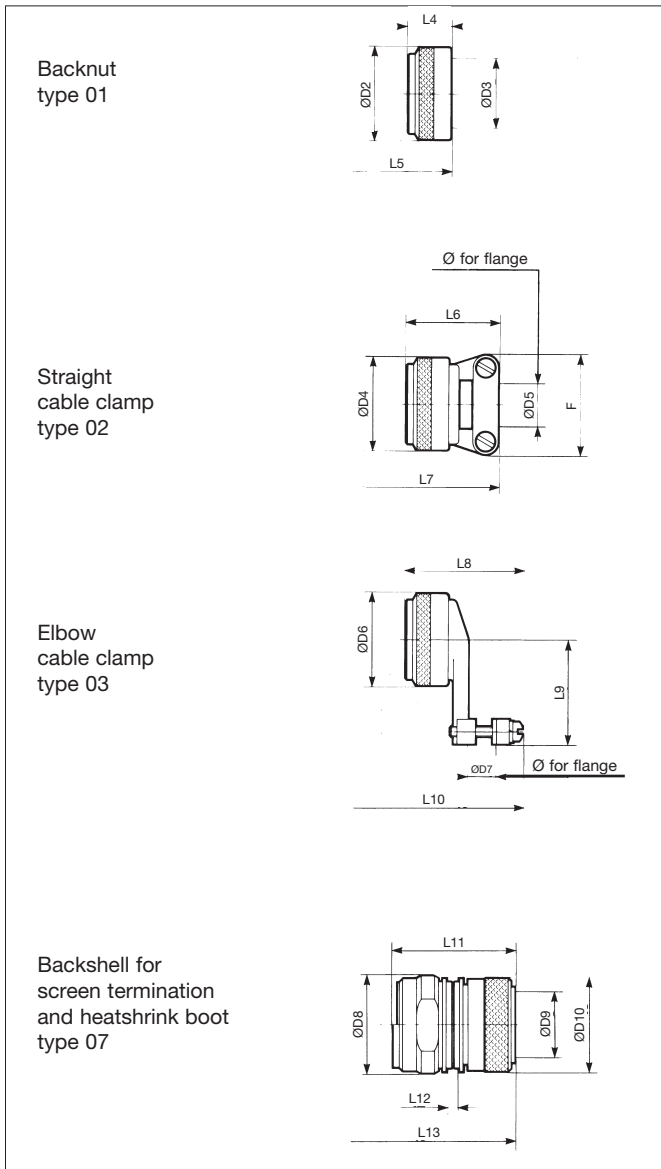
8LT Series



Cable connecting receptacle type 1



Backshells

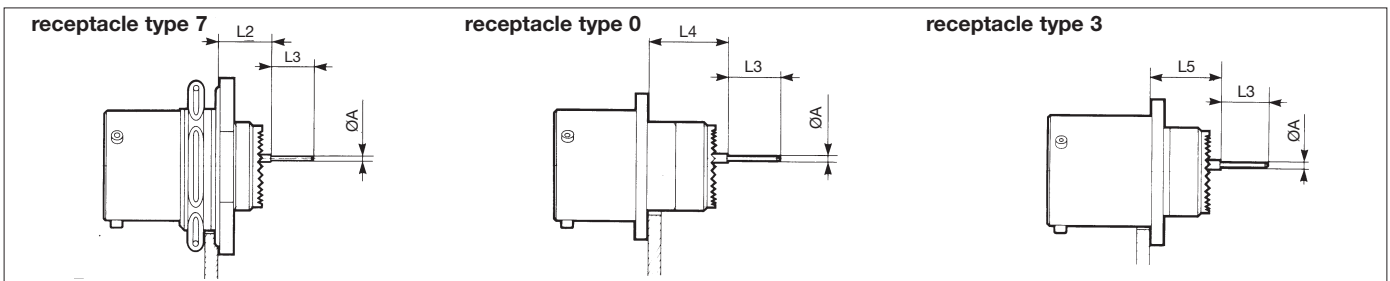


| shell size | | 09 | 11 | 13 | 15 | 17 | 19 | 21 | 23 | 25 |
|------------|-----|----------------|----------------|----------------|----------------|----------------|----------------|----------------|----------------|----------------|
| B1 | Max | 18.92 .745 | 22.22 .875 | 25.62 1.009 | 27.82 1.095 | 31.35 1.234 | 34.62 1.363 | 38.02 1.497 | 42.02 1.654 | 46.50 1.831 |
| | E1 | 22.35 .880 | 25.65 1.010 | 29.05 1.144 | 31.25 1.230 | 34.65 1.364 | 38.05 1.498 | 41.45 1.632 | 45.45 1.789 | 49.95 1.967 |
| D1 | | 14.53 .572 | 17.78 .700 | 21.59 .850 | 24.77 .975 | 27.94 1.100 | 30.66 1.207 | 33.83 1.332 | 37.00 1.457 | 40.18 1.582 |
| | L1 | Max | 16.05 .632 | 16.05 .632 | 16.05 .632 | 16.05 .632 | 16.05 .632 | 16.05 .632 | 15.29 .602 | 15.29 .602 |
| L2 | Max | 13.45 .530 | 13.45 .530 | 13.45 .530 | 13.45 .530 | 13.45 .530 | 13.45 .530 | 13.45 .530 | 13.45 .530 | 13.45 .530 |
| | L3 | Max | 2.48 .098 | 2.48 .098 | 2.48 .098 | 2.48 .098 | 2.48 .098 | 2.48 .098 | 3.24 1.28 | 3.24 1.28 |
| D2 | Max | 15.67 .617 | 18.64 .734 | 21.79 .858 | 24.99 .984 | 28.24 1.112 | 30.94 1.218 | 34.16 1.345 | 37.29 1.468 | 40.46 1.593 |
| | D3 | Max | 6.96 .274 | 10.46 .412 | 13.36 .526 | 16.53 .651 | 19.71 .776 | 22.40 .882 | 25.56 1.006 | 28.75 1.132 |
| L4 | Max | 11.30 .445 | 11.30 .445 | 11.30 .445 | 11.30 .445 | 11.30 .445 | 11.30 .445 | 11.30 .445 | 11.30 .445 | 11.30 .445 |
| | L5 | Max | 37.36 1.471 | 37.36 1.471 | 37.36 1.471 | 37.36 1.471 | 37.36 1.471 | 37.36 1.471 | 37.36 1.471 | 37.36 1.471 |
| D4 | Max | 15.67 .617 | 18.64 .734 | 21.79 .858 | 24.99 .984 | 28.24 1.112 | 30.94 1.218 | 34.16 1.345 | 37.29 1.468 | 40.46 1.593 |
| | D5 | min | 1.40 .055 | 1.40 .055 | 2.40 .094 | 5.60 .220 | 5.60 .220 | 8.80 .346 | 11.90 .469 | 15.10 .602 |
| Max | | 3.20 .126 | 4.80 .189 | 6.40 .252 | 9.50 .374 | 12.70 .500 | 15.90 .626 | 19.10 .752 | 22.20 .874 | 25.40 1.000 |
| F | Max | 21.03 .828 | 22.63 .891 | 25.81 1.016 | 28.98 1.141 | 30.56 1.203 | 37.31 1.469 | 37.31 1.469 | 42.06 1.656 | 44.45 1.750 |
| | L6 | Max | 22.22 .875 | 22.22 .875 | 22.22 .875 | 28.57 1.125 | 28.57 1.125 | 28.57 1.125 | 28.57 1.125 | 31.75 1.250 |
| L7 | Max | 47.98 1.889 | 48.72 1.918 | 50.22 1.977 | 56.62 2.229 | 60.12 2.367 | 60.12 2.367 | 60.12 2.367 | 60.12 2.367 | 60.12 2.367 |
| | D6 | Max | 15.67 .617 | 18.64 .734 | 21.79 .858 | 24.99 .984 | 28.24 1.112 | 30.94 1.218 | 34.16 1.345 | 37.29 1.468 |
| D7 | | min | 3.20 .126 | 4.00 .157 | 4.80 .189 | 5.50 .217 | 6.40 .252 | 7.90 .311 | 9.50 .374 | 10.30 .406 |
| | Max | 6.40 .252 | 9.50 .374 | 11.10 .437 | 14.30 .563 | 15.90 .626 | 19.10 .752 | 22.20 .874 | 23.80 .937 | 25.40 1.000 |
| L8 | Max | 35.32 1.391 | 35.32 1.391 | 37.30 1.469 | 41.67 1.641 | 46.04 1.813 | 46.45 1.829 | 48.43 1.901 | 51.98 2.046 | 54.78 2.157 |
| | L9 | Max | 25.40 1.000 | 26.19 1.031 | 27.79 1.094 | 30.96 1.219 | 32.54 1.281 | 34.14 1.344 | 34.93 1.375 | 36.53 1.438 |
| L10 | Max | 61.38 2.417 | 61.38 2.417 | 63.36 2.494 | 69.53 2.737 | 72.10 2.839 | 72.51 2.855 | 74.49 2.933 | 78.04 3.072 | 80.84 3.183 |
| | D8 | Max | 20.20 .795 | 23.20 .913 | 26.20 1.031 | 29.20 1.150 | 32.20 1.268 | 35.20 1.386 | 39.20 1.543 | 42.20 1.661 |
| D9 | | min | 6.90 .272 | 9.60 .378 | 12.70 .500 | 14.80 .583 | 17.90 .705 | 19.90 .783 | 23.10 .909 | 26.20 1.031 |
| | Max | 7.00 .276 | 9.70 .382 | 12.80 .504 | 14.90 .587 | 18.00 .709 | 20.00 .787 | 23.20 .913 | 26.30 1.035 | 28.90 1.138 |
| D10 | Max | 16.00 .630 | 18.90 .744 | 22.10 .870 | 25.30 .996 | 28.50 1.122 | 31.50 1.240 | 34.70 1.366 | 37.90 1.492 | 41.00 1.614 |
| | L11 | type 1 | 27.80 1.094 | 27.80 1.094 | 27.80 1.094 | 29.80 1.173 | 29.80 1.173 | 30.80 1.213 | 34.60 1.362 | 34.60 1.362 |
| type 2 | | - | - | - | - | - | - | - | - | - |
| L12 | Max | 3.40 .134 | 3.40 .134 | 3.40 .134 | 3.40 .134 | 3.40 .134 | 3.40 .134 | 3.40 .134 | 3.40 .134 | 3.40 .134 |
| | L13 | Max | 52.92 2.083 | 52.92 2.083 | 52.92 2.083 | 54.92 2.162 | 54.92 2.162 | 55.92 2.202 | 59.72 2.351 | 59.72 2.351 |

8LT Series



Receptacle with straight spill contacts



| shell size | | | 09 | 11 | 13 | 15 | 17 | 19 | 21 | 23 | 25 | | |
|---------------|---------------------|---------------|-----------|-------|-------|-------|-------|-------|-------|-------|-------|-------|-------|
| L2 | # 22D 8LT | CM | Max | 10.06 | 10.06 | 10.06 | 10.06 | 10.06 | 10.06 | 10.06 | 10.06 | 10.06 | |
| | | | min | .396 | .396 | .396 | .396 | .396 | .396 | .396 | .396 | .396 | .396 |
| | | CF | Max | 9.07 | 9.07 | 9.07 | 9.07 | 9.07 | 9.07 | 9.07 | 9.07 | 9.07 | 9.07 |
| | | | min | .357 | .357 | .357 | .357 | .357 | .357 | .357 | .357 | .357 | .357 |
| | | # 22D HE308 | CM | Max | 10.06 | 10.06 | 10.06 | 10.06 | 10.06 | 10.06 | 10.06 | 10.06 | 10.06 |
| | | | | min | .396 | .396 | .396 | .396 | .396 | .396 | .396 | .396 | .396 |
| | CF | | Max | 8.74 | 8.74 | 8.74 | 8.74 | 8.74 | 8.74 | 8.74 | 8.74 | 8.74 | 8.74 |
| | | | min | .344 | .344 | .344 | .344 | .344 | .344 | .344 | .344 | .344 | .344 |
| | #20 - #16 8LT HE308 | | CM and CF | Max | 10.23 | 10.23 | 10.23 | 10.23 | 10.23 | 10.23 | 10.23 | 10.23 | 10.23 |
| | | | | min | .403 | .403 | .403 | .403 | .403 | .403 | .403 | .403 | .403 |
| | ØA | #22D | 8LT | 0.70 | 0.70 | 0.70 | 0.70 | 0.70 | 0.70 | 0.70 | 0.70 | 0.70 | |
| | | | HE308 | .028 | .028 | .028 | .028 | .028 | .028 | .028 | .028 | .028 | .028 |
| #20 | | 8LT | 0.50 | 0.50 | 0.50 | 0.50 | 0.50 | 0.50 | 0.50 | 0.50 | 0.50 | | |
| | | HE308 | .020 | .020 | .020 | .020 | .020 | .020 | .020 | .020 | .020 | .020 | |
| #16 | | 8LT | 0.70 | 0.70 | 0.70 | 0.70 | 0.70 | 0.70 | 0.70 | 0.70 | 0.70 | | |
| | | HE308 | .028 | .028 | .028 | .028 | .028 | .028 | .028 | .028 | .028 | .028 | |
| L3 | PC #22D | 8LT | 1.15 | 1.15 | 1.15 | 1.15 | 1.15 | 1.15 | 1.15 | 1.15 | 1.15 | | |
| | | HE308 | .045 | .045 | .045 | .045 | .045 | .045 | .045 | .045 | .045 | .045 | |
| | PC#20 | 8LT | 4.00 | 4.00 | 4.00 | 4.00 | 4.00 | 4.00 | 4.00 | 4.00 | 4.00 | | |
| | | HE308 | .157 | .157 | .157 | .157 | .157 | .157 | .157 | .157 | .157 | .157 | |
| | PC#16 | 8LT | 5.00 | 5.00 | 5.00 | 5.00 | 5.00 | 5.00 | 5.00 | 5.00 | 5.00 | | |
| | | HE308 | .197 | .197 | .197 | .197 | .197 | .197 | .197 | .197 | .197 | .197 | |
| PL#22D | 8LT | 5.00 | 5.00 | 5.00 | 5.00 | 5.00 | 5.00 | 5.00 | 5.00 | 5.00 | | | |
| | HE308 | .197 | .197 | .197 | .197 | .197 | .197 | .197 | .197 | .197 | .197 | | |
| L4 | #22D 8LT | CM | Max | 8.50 | 8.50 | 8.50 | 8.50 | 8.50 | 8.50 | 8.50 | 8.50 | 8.50 | |
| | | | min | .335 | .335 | .335 | .335 | .335 | .335 | .335 | .335 | .335 | .335 |
| | | CF | Max | 15.08 | 15.08 | 15.08 | 15.08 | 15.08 | 15.08 | 15.08 | 15.08 | 15.08 | 15.08 |
| | | | min | .594 | .594 | .594 | .594 | .594 | .594 | .594 | .594 | .594 | .594 |
| | | #20 - #16 8LT | CM and CF | Max | 13.91 | 13.91 | 13.91 | 13.91 | 13.91 | 13.91 | 13.91 | 13.91 | 13.91 |
| | | | | min | .548 | .548 | .548 | .548 | .548 | .548 | .548 | .548 | .548 |
| | #20 - #16 8LT | CM | Max | 15.08 | 15.08 | 15.08 | 15.08 | 15.08 | 15.08 | 15.08 | 15.08 | 15.08 | |
| | | | min | .594 | .594 | .594 | .594 | .594 | .594 | .594 | .594 | .594 | .594 |
| | | CF | Max | 13.58 | 13.58 | 13.58 | 13.58 | 13.58 | 13.58 | 13.58 | 13.58 | 13.58 | |
| | | | min | .535 | .535 | .535 | .535 | .535 | .535 | .535 | .535 | .535 | .535 |
| | | #20 - #16 8LT | CM and CF | Max | 15.25 | 15.25 | 15.25 | 15.25 | 15.25 | 15.25 | 15.25 | 15.25 | 15.25 |
| | | | | min | .600 | .600 | .600 | .600 | .600 | .600 | .600 | .600 | .600 |
| L5 | #22D 8LT | CM | Max | 12.47 | 12.47 | 12.47 | 12.47 | 12.47 | 12.47 | 13.22 | 13.22 | 13.22 | |
| | | | min | .491 | .491 | .491 | .491 | .491 | .491 | .520 | .520 | .520 | |
| | | CF | Max | 11.60 | 11.60 | 11.60 | 11.60 | 11.60 | 11.60 | 12.35 | 12.35 | 12.35 | |
| | | | min | .457 | .457 | .457 | .457 | .457 | .457 | .486 | .486 | .486 | |
| | | #20 - #16 8LT | CM and CF | Max | 12.47 | 12.47 | 12.47 | 12.47 | 12.47 | 12.47 | 13.22 | 13.22 | 13.22 |
| | | | | min | .491 | .491 | .491 | .491 | .491 | .491 | .520 | .520 | .520 |
| #20 - #16 8LT | CM and CF | Max | 11.27 | 11.27 | 11.27 | 11.27 | 11.27 | 11.27 | 12.02 | 12.02 | 12.02 | | |
| | | min | .444 | .444 | .444 | .444 | .444 | .444 | .473 | .473 | .473 | | |
| #20 - #16 8LT | CM and CF | Max | 12.64 | 12.64 | 12.64 | 12.64 | 12.64 | 12.64 | 13.39 | 13.39 | 13.39 | | |
| | | min | .498 | .498 | .498 | .498 | .498 | .498 | .527 | .527 | .527 | | |
| #20 - #16 8LT | CM and CF | Max | 11.77 | 11.77 | 11.77 | 11.77 | 11.77 | 11.77 | 12.52 | 12.52 | 12.52 | | |
| | | min | .463 | .463 | .463 | .463 | .463 | .463 | .493 | .493 | .493 | | |

CM : male contact

CF : female contact

PL : long spill

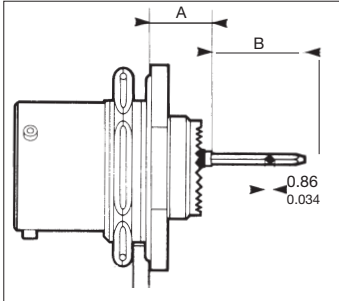
PC : short spill

8LT Series



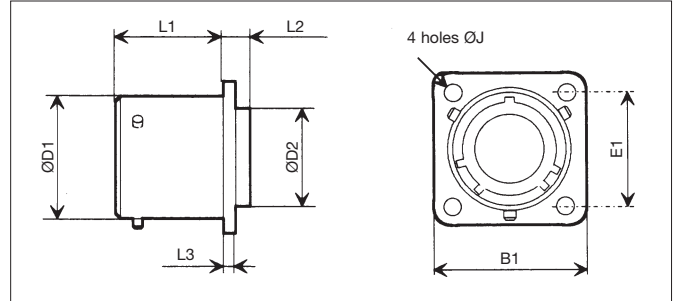
Receptacle with wire wrap contacts

Receptacle type 7



| contact size | contact type | A Max | B Max |
|--------------|--------------|----------------|---------------|
| 22D | W 3 wraps | 10.06 0.396 | 16.00 0.63 |
| 20 | T2 wraps | 10.06 0.396 | 16.00 0.63 |

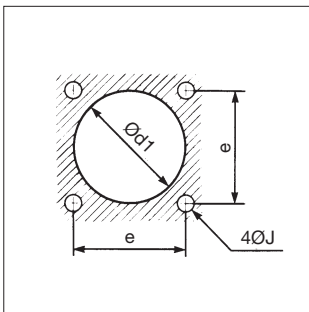
Receptacle type 2



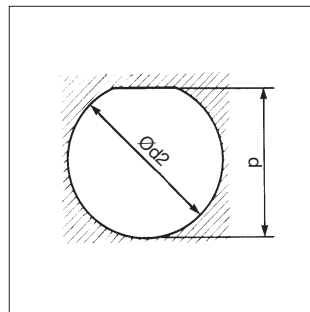
| shell size | 09 | 11 | 13 | 15 | 17 | 19 | 21 | 23 | 25 |
|------------|---------------|----------------|----------------|----------------|----------------|----------------|----------------|----------------|----------------|
| L1 Max | 20.83 .820 | 20.83 .820 | 20.83 .820 | 20.83 .820 | 20.83 .820 | 20.83 .820 | 20.08 .791 | 20.08 .791 | 20.08 .791 |
| L2 Max | 5.55 .219 | 5.55 .219 | 5.55 .219 | 5.55 .219 | 5.55 .219 | 5.55 .219 | 6.30 .248 | 6.30 .248 | 6.30 .248 |
| L3 Max | 2.48 .098 | 2.48 .098 | 2.48 .098 | 2.48 .098 | 2.48 .098 | 2.48 .098 | 3.24 .128 | 3.24 .128 | 3.24 .128 |
| D1 | 14.53 .572 | 17.78 .700 | 21.59 .850 | 24.77 .975 | 27.94 1.100 | 30.66 1.207 | 33.83 1.332 | 37.00 1.457 | 40.18 1.582 |
| D2 Max | 9.95 .392 | 12.90 .508 | 16.10 .634 | 19.05 .750 | 22.20 .874 | 25.20 .992 | 28.35 1.116 | 31.50 1.240 | 34.70 1.366 |
| B1 Max | 24.25 .955 | 26.60 1.047 | 29.00 1.142 | 31.35 1.234 | 33.75 1.329 | 36.90 1.453 | 40.10 1.579 | 43.25 1.703 | 46.50 1.831 |
| E1 | 18.26 .719 | 20.62 .812 | 23.01 .906 | 24.61 .969 | 26.97 1.062 | 29.36 1.156 | 31.75 1.250 | 34.93 1.375 | 38.10 1.500 |

Panel cut-out

square flange receptacle



jam nut receptacle



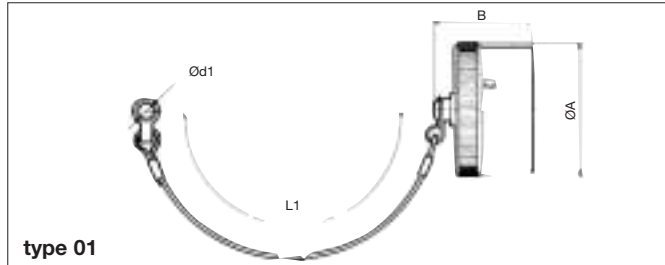
| shell size | 09 | 11 | 13 | 15 | 17 | 19 | 21 | 23 | 25 | |
|------------|---------------|---------------|----------------|----------------|----------------|----------------|----------------|----------------|----------------|----------------|
| d1 min | type 0 | 15.70 .618 | 18.70 .736 | 21.80 .858 | 25.00 .984 | 28.30 1.114 | 31.00 1.220 | 34.20 1.346 | 37.30 1.469 | 40.50 1.594 |
| | type 3 | 16.66 .656 | 20.22 .796 | 23.42 .922 | 26.59 1.047 | 30.96 1.219 | 32.94 1.297 | 36.12 1.422 | 39.29 1.547 | 42.47 1.672 |
| d2 | 17.70 .697 | 20.88 .822 | 25.58 1.007 | 28.80 1.134 | 31.98 1.259 | 35.15 1.384 | 38.28 1.507 | 41.50 1.634 | 44.68 1.759 | |
| J | 3.25 .128 | 3.25 .128 | 3.25 .128 | 3.25 .128 | 3.25 .128 | 3.25 .128 | 3.25 .128 | 3.91 .154 | 3.91 .154 | |
| e | 18.26 .719 | 20.62 .812 | 23.01 .906 | 24.61 .969 | 26.97 1.062 | 29.36 1.156 | 31.75 1.250 | 34.92 1.375 | 38.10 1.500 | |
| P | 16.99 .669 | 19.53 .769 | 24.26 .955 | 27.53 1.084 | 30.68 1.208 | 33.86 1.333 | 37.06 1.459 | 40.01 1.575 | 43.41 1.709 | |

8LT Series

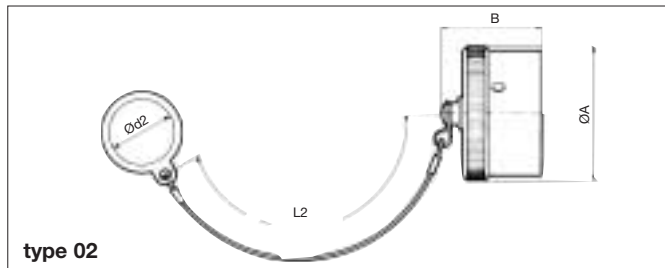


Accessories

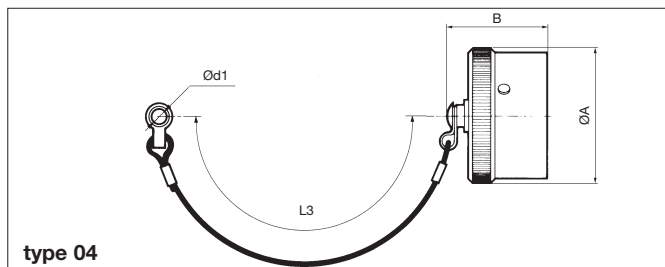
Protective caps for receptacles



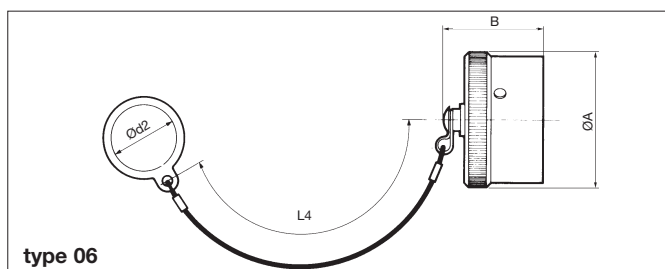
type 01



type 02

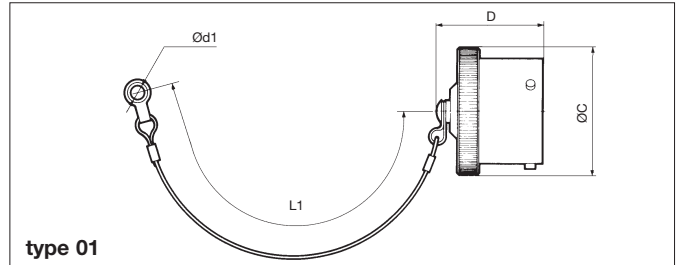


type 04

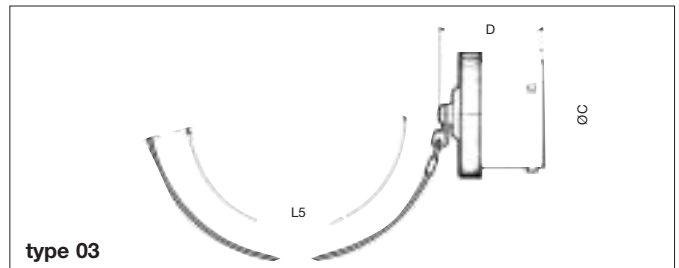


type 06

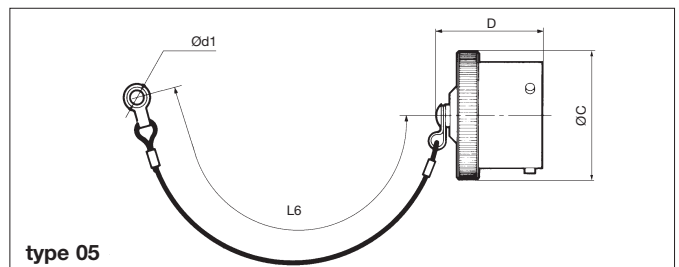
Protective caps for plugs



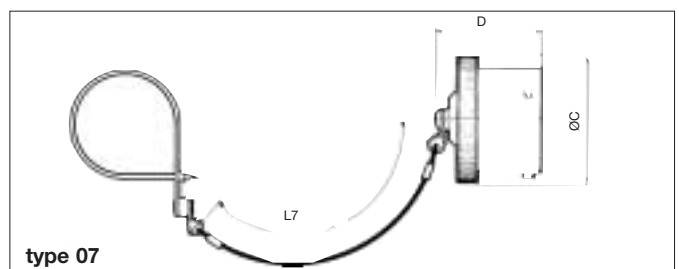
type 01



type 03



type 05



type 07

| shell size | A Max | B Max | C Max | D Max | d1 min | d2 min | L1 | L2 | L3 | L4 | L5 | L6 | L7 |
|------------|----------------|----------------|----------------|----------------|--------------|----------------|-----------------|-----------------|-----------------|-----------------|-----------------|-----------------|-----------------|
| 09 | 21.20 .835 | 28.00 1.102 | 20.50 .807 | 29.50 1.161 | 3.20 .126 | 17.80 .701 | 76.00 2.992 | 76.00 2.992 | 105.00 4.134 | 105.00 4.134 | 200.00 7.874 | 160.00 6.299 | 160.00 6.299 |
| 11 | 24.40 .961 | 28.00 1.102 | 23.70 .933 | 29.50 1.161 | 3.20 .126 | 21.30 .839 | 76.00 2.992 | 76.00 2.992 | 105.00 4.134 | 105.00 4.134 | 200.00 7.874 | 160.00 6.299 | 160.00 6.299 |
| 13 | 28.40 1.118 | 28.00 1.102 | 26.90 1.059 | 29.50 1.161 | 3.20 .126 | 25.70 1.012 | 89.00 3.504 | 89.00 3.504 | 105.00 4.134 | 105.00 4.134 | 200.00 7.874 | 160.00 6.299 | 160.00 6.299 |
| 15 | 31.60 1.244 | 28.00 1.102 | 30.10 1.185 | 29.50 1.161 | 3.20 .126 | 29.00 1.142 | 89.00 3.504 | 89.00 3.504 | 105.00 4.134 | 105.00 4.134 | 200.00 7.874 | 160.00 6.299 | 160.00 6.299 |
| 17 | 35.50 1.398 | 28.00 1.102 | 33.20 1.307 | 29.50 1.161 | 3.20 .126 | 32.00 1.260 | 89.00 3.504 | 89.00 3.504 | 105.00 4.134 | 105.00 4.134 | 200.00 7.874 | 160.00 6.299 | 160.00 6.299 |
| 19 | 37.90 1.492 | 28.00 1.102 | 36.40 1.433 | 29.50 1.161 | 3.20 .126 | 35.30 1.390 | 89.00 3.504 | 89.00 3.504 | 105.00 4.134 | 105.00 4.134 | 200.00 7.874 | 160.00 6.299 | 160.00 6.299 |
| 21 | 41.10 1.618 | 28.00 1.102 | 39.60 1.559 | 29.50 1.161 | 3.20 .126 | 38.10 1.500 | 102.00 4.016 | 102.00 4.016 | 105.00 4.134 | 105.00 4.134 | 200.00 7.874 | 160.00 6.299 | 160.00 6.299 |
| 23 | 44.30 1.744 | 28.00 1.102 | 42.80 1.685 | 29.50 1.161 | 3.20 .126 | 41.70 1.642 | 102.00 4.016 | 102.00 4.016 | 105.00 4.134 | 105.00 4.134 | 200.00 7.874 | 160.00 6.299 | 160.00 6.299 |
| 25 | 47.40 1.866 | 28.00 1.102 | 45.90 1.807 | 29.50 1.161 | 3.20 .126 | 44.70 1.760 | 102.00 4.016 | 102.00 4.016 | 105.00 4.134 | 105.00 4.134 | 200.00 7.874 | 160.00 6.299 | 160.00 6.299 |

8LT Series

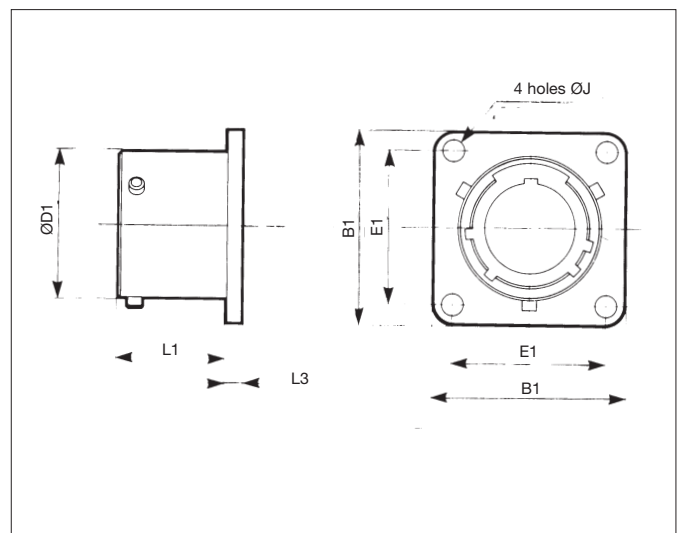


Protective caps

| | | | | | | | |
|---------------------|--|--|--|-------------------------|-----------|----------|-----------|
| basic series | | | 8LT | E | 01 | G | 13 |
| cap type | E - cap for receptacle | | | F - cap for plug | | | |
| fixing type | cap for receptacle | | cap for plug | | | | |
| | 01 - plastic sleeved metal cord with eyelet | | 01 - plastic sleeved metal cord with eyelet | | | | |
| | 02 - plastic sleeved metal cord with ring | | 03 - nylon cord without fastener | | | | |
| | 04 - nylon cord with eyelet | | 05 - nylon cord with eyelet | | | | |
| | 06 - nylon cord with ring | | 07 - nylon cord with strap | | | | |
| plating | B - olive green cadmium (MIL-C 38999) | | | | | | |
| | F - nickel | | | | | | |
| shell size | 09-11-13-15-17-19-21-23-25 | | | | | | |

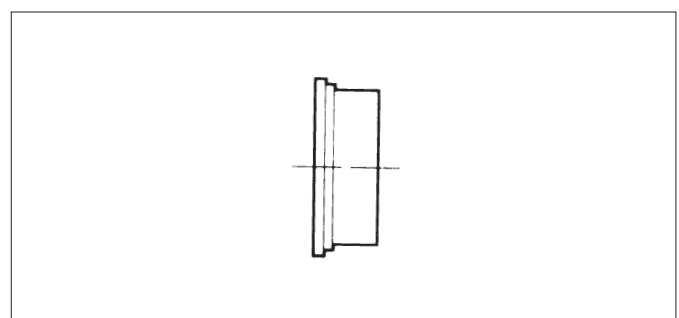
Dummy receptacles

| shell size | part numbers | L1 Max | L3 Max | D1 Max | B1 Max | E1 | J |
|------------|--------------|---------------|--------------|----------------|----------------|----------------|--------------|
| 09 | 8LTO-09GUR | 16.05 .632 | 2.48 .098 | 14.53 .572 | 24.25 .955 | 18.26 .719 | 3.25 .128 |
| 11 | 8LTO-11GUR | 16.05 .632 | 2.48 .098 | 17.78 .700 | 26.60 1.047 | 20.62 .812 | 3.25 .128 |
| 13 | 8LTO-13GUR | 16.05 .632 | 2.48 .098 | 21.59 .850 | 29.00 1.142 | 23.01 .906 | 3.25 .128 |
| 15 | 8LTO-15GUR | 16.05 .632 | 2.48 .098 | 24.77 .975 | 31.35 1.234 | 24.61 .969 | 3.25 .128 |
| 17 | 8LTO-17GUR | 16.05 .632 | 2.48 .098 | 27.94 1.100 | 33.75 1.329 | 26.97 1.062 | 3.25 .128 |
| 19 | 8LTO-19GUR | 16.05 .632 | 2.48 .098 | 30.66 1.207 | 39.90 1.453 | 29.36 1.156 | 3.25 .128 |
| 21 | 8LTO-21GUR | 15.29 .602 | 3.24 .128 | 33.83 1.332 | 40.10 1.579 | 31.75 1.250 | 3.25 .128 |
| 23 | 8LTO-23GUR | 15.29 .602 | 3.24 .128 | 37.00 1.457 | 43.25 1.703 | 34.93 1.375 | 3.73 .147 |
| 25 | 8LTO-25GUR | 15.29 .602 | 3.24 .128 | 40.18 1.582 | 46.50 1.831 | 38.10 1.500 | 3.73 .147 |



Plastic protective caps

| shell size | part numbers | |
|------------|----------------------|----------------|
| | caps for receptacles | caps for plugs |
| 09 | 8500-5594 | 8500-5595 |
| 11 | 8500-5595 | 8500-5588 |
| 13 | 8500-5598 | 70205 |
| 15 | 8500-5599 | 70206 |
| 17 | 8500-5600 | 70207 |
| 19 | 8500-5601 | 8500-5589 |
| 21 | 8500-5602 | 8500-5590 |
| 23 | 8500-5592 | 8500-5591 |
| 25 | 8500-5593 | 70602 |



Gaskets

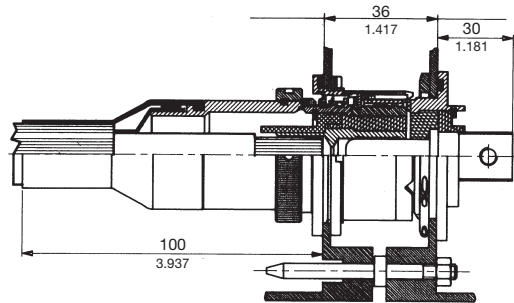
| shell size | part numbers | |
|------------|--|-----------------------------|
| | gasket for receptacles type 0 (ordered separately) | O ring for receptacle type7 |
| 09 | 8599-5541 | MS9068-019 |
| 11 | 8599-5542 | MS9068-022 |
| 13 | 8599-5543 | MS9068-024 |
| 15 | 8599-5544 | MS9068-026 |
| 17 | 8599-5545 | MS9068-028 |
| 19 | 8599-5546 | MS9068-128 |
| 21 | 8599-5547 | MS9068-130 |
| 23 | 8599-5548 | MS9068-132 |
| 25 | 8599-5549 | MS9068-134 |

8LT Series

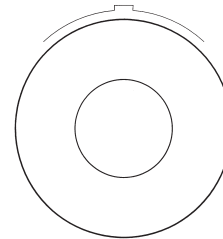


Rack and panel connectors

Mated connector shell size 23



Layout 01



1 Ø12

SN2550

basic series
HE 308 basic series

SN 2550
HE 308

-26 T 23 -01 P N 7 M •

shell type 26 - floating plug for rack, for crimp female contacts, with possibility to mount rear accessory
27 - receptacle for rack, for male contacts with possibility to mount rear accessory

class T - sealed

shell size - please consult us

contact layout - please consult us

contact type P - male contact S - female contact

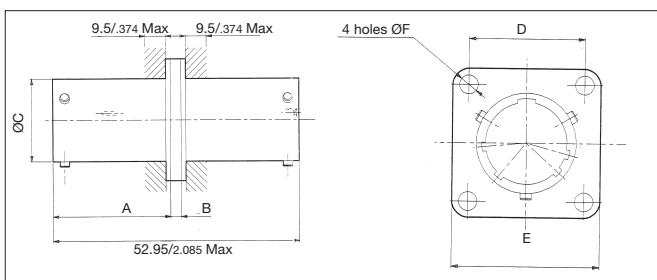
polarization N - normal

plating 7 - olive green cadmium

contractual specification M - DAT quality assurance

specification - - connector supplied with contact (without specification)
L - connector supplied without contact

Through-bulkhead receptacle - pin/socket



basic series SN1568-08 T •••• P N SN 7

through bulkhead receptacle

class T - sealed

shell size 09-11-13-15-17-19-21-23-25

contact layout - please consult us

male contact/polarization

female contact/polarization

plating 7 - olive green cadmium

| shell size | A Max | B Max | C Max | D | E Max | F Max |
|------------|----------------|--------------|----------------|----------------|----------------|--------------|
| 09 | 25.40 1.000 | 2.50 .098 | 14.56 .573 | 18.26 .719 | 24.34 .958 | 3.50 .138 |
| 11 | 25.40 1.000 | 2.50 .098 | 17.81 .701 | 20.62 .812 | 26.70 1.051 | 3.50 .138 |
| 13 | 25.40 1.000 | 2.50 .098 | 21.62 .851 | 23.01 .906 | 29.09 1.145 | 3.50 .138 |
| 15 | 25.40 1.000 | 2.50 .098 | 24.80 .976 | 24.61 .969 | 31.47 1.239 | 3.50 .138 |
| 17 | 25.40 1.000 | 2.50 .098 | 27.97 1.101 | 26.97 1.062 | 33.83 1.332 | 3.50 .138 |
| 19 | 25.40 1.000 | 2.50 .098 | 30.69 1.208 | 29.36 1.156 | 37.04 1.458 | 3.50 .138 |
| 21 | 25.10 .988 | 3.25 .128 | 33.86 1.333 | 31.75 1.250 | 40.18 1.582 | 3.98 .157 |
| 23 | 25.10 .988 | 3.25 .128 | 37.04 1.458 | 34.93 1.375 | 43.39 1.708 | 3.98 .157 |
| 25 | 25.10 .988 | 3.25 .128 | 40.21 1.583 | 38.10 1.500 | 46.53 1.832 | 3.98 .157 |

8T Series



MIL-C 38999 Series II

| | | | | | | | | |
|-----------------------|--|--------------|---|-----------|--------------------------|-----------|----------|----------|
| basic series | MS | 27497 | T | 14 | B | 35 | P | • |
| shell type | 27508 - square flange receptacle without thread for back fitting 27497 - square flange receptacle (rear mounting) 27474 - jam nut receptacle 27473 - plug | | | | | | | |
| class | T - with thread for backshell, supplied without backshell E - without thread for backshell only for MS 27508 | | | | | | | |
| shell size | 08-10-12-14-16-18-20-22-24 | | | | | | | |
| plating | B - olive green cadmium | | F - nickel | | C - hard anodized | | | |
| contact layout | - see table p 120 | | | | | | | |
| contact type | P - male | | A - male connector supplied without contact or with special contacts | | | | | |
| | S - female | | B - female connector supplied without contact or with special contacts | | | | | |
| polarization | N - Normal (not included in part number) A-B-C-D - see table p 100 | | | | | | | |

backshells

| | | | | | | | | | | | | | |
|-----------------------|---|-----|-----|-----|-----|-------------------------------|-----|-----|-----|-------------|------------|----------|-----------|
| basic series | | | | | | | | | | 8LST | 104 | G | 01 |
| shell size | 08 | 10 | 12 | 14 | 16 | 18 | 20 | 22 | 24 | | | | |
| index number | 101 | 102 | 103 | 104 | 105 | 106 | 107 | 108 | 109 | | | | |
| plating | B - olive green cadmium (MIL. C 38999) | | | | | | | | | | | | |
| | F - nickel | | | | | | | | | | | | |
| backshell type | 01 - backnut | | | | | 03 - elbow cable clamp | | | | | | | |
| | 02 - straight cable clamp | | | | | | | | | | | | |

Cross reference list - part numbers cross reference list FCI Souriau and MIL-C 38999 NFC 93422 - PAN 6433-1

| | FCI Souriau | MIL-C 38999 Series II | NFC 93422 / HE 309 | PAN 6433-1 |
|--|-------------------|-----------------------|---------------------------|-------------------------|
| Square flange receptacle without thread for back fitting | 8T2 - •• G •• P □ | | HE 309-05T •• - •• P □ 7 | PAN 6433-1E •• - •• P □ |
| | 8T2 - •• G •• A □ | | HE 309-05T •• - •• P □ 7L | |
| | 8T2 - •• G •• S □ | | HE 309-05T •• - •• S □ 7 | PAN 6433-1E •• - •• S □ |
| | 8T2 - •• G •• B □ | | HE 309-05T •• - •• S □ 7L | |
| | 8T2 - •• B •• P □ | MS27508E •• B •• P □ | | |
| | 8T2 - •• B •• A □ | MS27508E •• B •• A □ | | |
| | 8T2 - •• B •• S □ | MS27508E •• B •• S □ | | |
| | 8T2 - •• B •• B □ | MS27508E •• B •• B □ | | |
| | 8T2 - •• F •• P □ | MS27508E •• F •• P □ | HE 309-05T •• - •• P □ 6 | |
| | 8T2 - •• F •• A □ | MS27508E •• F •• A □ | HE 309-05T •• - •• P □ 6L | |
| | 8T2 - •• F •• S □ | MS27508E •• F •• S □ | HE 309-05T •• - •• S □ 6 | |
| | 8T2 - •• F •• B □ | MS27508E •• F •• B □ | HE 309-05T •• - •• S □ 6L | |
| | 8T2 - •• C •• P □ | MS27508E •• C •• P □ | HE 309-05T •• - •• P □ 8 | |
| | 8T2 - •• C •• A □ | MS27508E •• C •• A □ | HE 309-05T •• - •• P □ 8L | |
| | 8T2 - •• C •• S □ | MS27508E •• C •• S □ | HE 309-05T •• - •• S □ 8 | |
| | 8T2 - •• C •• B □ | MS27508E •• C •• B □ | HE 309-05T •• - •• S □ 8L | |
| Square flange receptacle with thread for back fitting | 8T3 - •• G •• P □ | | HE 309-03T •• - •• P □ 7 | PAN 6433-1B •• - •• P □ |
| | 8T3 - •• G •• A □ | | HE 309-03T •• - •• P □ 7L | |
| | 8T3 - •• G •• S □ | | HE 309-03T •• - •• S □ 7 | PAN 6433-1B •• - •• S □ |
| | 8T3 - •• G •• B □ | | HE 309-03T •• - •• S □ 7L | |
| | 8T3 - •• B •• P □ | MS27497T •• B •• P □ | | |
| | 8T3 - •• B •• A □ | MS27497T •• B •• A □ | | |
| | 8T3 - •• B •• S □ | MS27497T •• B •• S □ | | |
| | 8T3 - •• B •• B □ | MS27497T •• B •• B □ | | |
| | 8T3 - •• F •• P □ | MS27497T •• F •• P □ | HE 309-03T •• - •• P □ 6 | |
| | 8T3 - •• F •• A □ | MS27497T •• F •• A □ | HE 309-03T •• - •• P □ 6L | |
| | 8T3 - •• F •• S □ | MS27497T •• F •• S □ | HE 309-03T •• - •• S □ 6 | |
| | 8T3 - •• F •• B □ | MS27497T •• F •• B □ | HE 309-03T •• - •• S □ 6L | |
| | 8T3 - •• C •• P □ | MS27497T •• C •• P □ | HE 309-03T •• - •• P □ 8 | |
| | 8T3 - •• C •• A □ | MS27497T •• C •• A □ | HE 309-03T •• - •• P □ 8L | |
| | 8T3 - •• C •• S □ | MS27497T •• C •• S □ | HE 309-03T •• - •• S □ 8 | |
| | 8T3 - •• C •• B □ | MS27497T •• C •• B □ | HE 309-03T •• - •• S □ 8L | |

8T Series



Cross reference list - FCI Souriau part numbers and MIL-C 38999, NFC 93422 - PAN 6433-1 standard

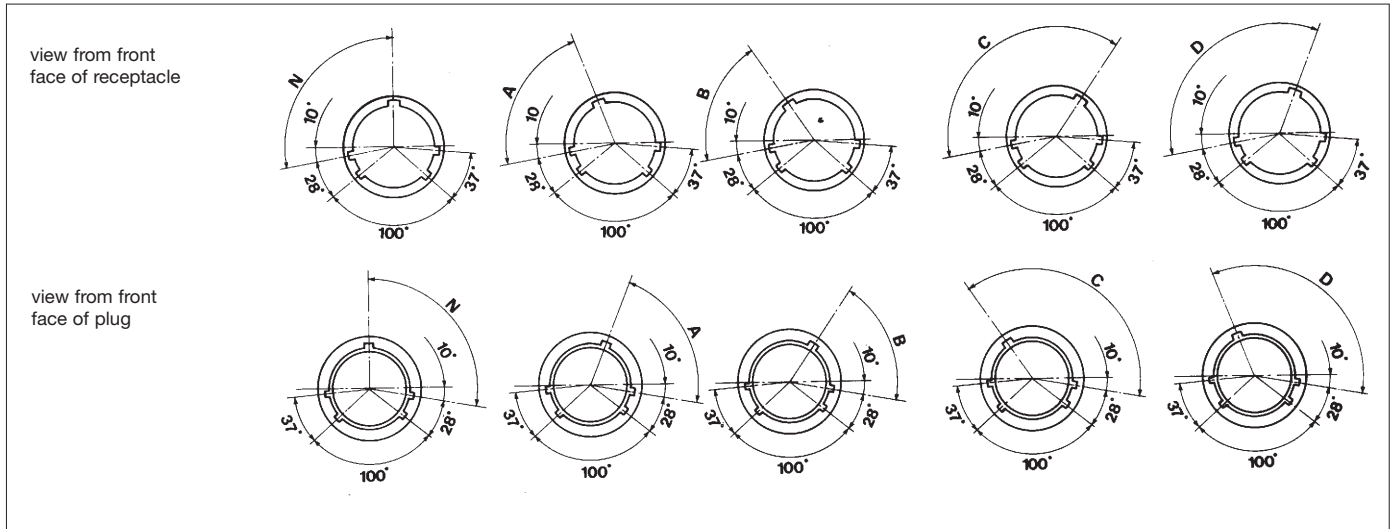
| | FCI Souriau | MIL-C 38999 Series II | NFC 93422 / HE 309 | PAN 6433-1 |
|---------------------------------|--|--|--|--|
| Jam nut receptacle | 8T7 - ●● G ●● P □ 8T7 - ●● G ●● A □ 8T7 - ●● G ●● S □ 8T7 - ●● G ●● B □ 8T7 - ●● B ●● P □ 8T7 - ●● B ●● A □ 8T7 - ●● B ●● S □ 8T7 - ●● B ●● B □ 8T7 - ●● F ●● P □ 8T7 - ●● F ●● A □ 8T7 - ●● F ●● S □ 8T7 - ●● F ●● B □ 8T7 - ●● C ●● P □ 8T7 - ●● C ●● A □ 8T7 - ●● C ●● S □ 8T7 - ●● C ●● B □ | MS27474T ●● B ●● P □ MS27474T ●● B ●● A □ MS27474T ●● B ●● S □ MS27474T ●● B ●● B □ MS27474T ●● F ●● P □ MS27474T ●● F ●● A □ MS27474T ●● F ●● S □ MS27474T ●● F ●● B □ MS27474T ●● C ●● P □ MS27474T ●● C ●● A □ MS27474T ●● C ●● S □ MS27474T ●● C ●● B □ | HE 309-07T ●● - ●● P □ 7 HE 309-07T ●● - ●● P □ 7L HE 309-07T ●● - ●● S □ 7 HE 309-07T ●● - ●● S □ 7L HE 309-07T ●● - ●● P □ 6 HE 309-07T ●● - ●● P □ 6L HE 309-07T ●● - ●● S □ 6 HE 309-07T ●● - ●● S □ 6L HE 309-07T ●● - ●● P □ 8 HE 309-07T ●● - ●● P □ 8L HE 309-07T ●● - ●● S □ 8 HE 309-07T ●● - ●● S □ 8L | PAN 6433-1A ●● - ●● P □ PAN 6433-1A ●● - ●● S □ |
| Cable connecting receptacle | 8T1 - ●● G ●● P □ 8T1 - ●● G ●● A □ 8T1 - ●● G ●● S □ 8T1 - ●● G ●● B □ 8T1 - ●● B ●● P □ 8T1 - ●● B ●● A □ 8T1 - ●● B ●● S □ 8T1 - ●● B ●● B □ 8T1 - ●● F ●● P □ 8T1 - ●● F ●● A □ 8T1 - ●● F ●● S □ 8T1 - ●● F ●● B □ 8T1 - ●● C ●● P □ 8T1 - ●● C ●● A □ 8T1 - ●● C ●● S □ 8T1 - ●● C ●● B □ | | | |
| Plug without RFI shielding | 8T6 - ●● G ●● P □ 8T6 - ●● G ●● A □ 8T6 - ●● G ●● S □ 8T6 - ●● G ●● B □ 8T6 - ●● B ●● P □ 8T6 - ●● B ●● A □ 8T6 - ●● B ●● S □ 8T6 - ●● B ●● B □ 8T6 - ●● F ●● P □ 8T6 - ●● F ●● A □ 8T6 - ●● F ●● S □ 8T6 - ●● F ●● B □ 8T6 - ●● C ●● P □ 8T6 - ●● C ●● A □ 8T6 - ●● C ●● S □ 8T6 - ●● C ●● B □ | MS27473T ●● B ●● P □ MS27473T ●● B ●● A □ MS27473T ●● B ●● S □ MS27473T ●● B ●● B □ MS27473T ●● F ●● P □ MS27473T ●● F ●● A □ MS27473T ●● F ●● S □ MS27473T ●● F ●● B □ MS27473T ●● C ●● P □ MS27473T ●● C ●● A □ MS27473T ●● C ●● S □ MS27473T ●● C ●● B □ | HE 309-06T ●● - ●● P □ 7 HE 309-06T ●● - ●● P □ 7L HE 309-06T ●● - ●● S □ 7 HE 309-06T ●● - ●● S □ 7L HE 309-06T ●● - ●● P □ 6 HE 309-06T ●● - ●● P □ 6L HE 309-06T ●● - ●● S □ 6 HE 309-06T ●● - ●● S □ 6L HE 309-06T ●● - ●● P □ 8 HE 309-06T ●● - ●● P □ 8L HE 309-06T ●● - ●● S □ 8 HE 309-06T ●● - ●● S □ 8L | PAN 6433-1F ●● - ●● P □ PAN 6433-1F ●● - ●● S □ |
| Contacts - filler plugs - tools | 8599-0902 8599-0903 8599-0904 8599-0905 8599-0910 8599-0911 8599-0912 8599-0913 8660-212 8522-389A 8522-390A 8599-0022 8522-20 8522-16 | M39029/58-360 M39029/58-363 M39029/58-364 M39029/58-365 M39029/57-354 M39029/57-357 M39029/57-358 M39029/57-359 M27488-22 M27488-20 M27488-16 M81969/14-01 M81969/14-02 M81969/14-03 | | PAN 6433-1P PAN 6433-1S PAN 6433-1N |
| Backshells | 8LST ●●● G01 8LST ●●● B01 8LST ●●● F01 | M85049/27 ●● W M85049/27 ●● N | HE 309-17 ●● 7 HE 309-17 ●● 6 | |

8T Series



Polarization

Polarization is determined by the master keyway position. The secondary keyway positions remain fixed.



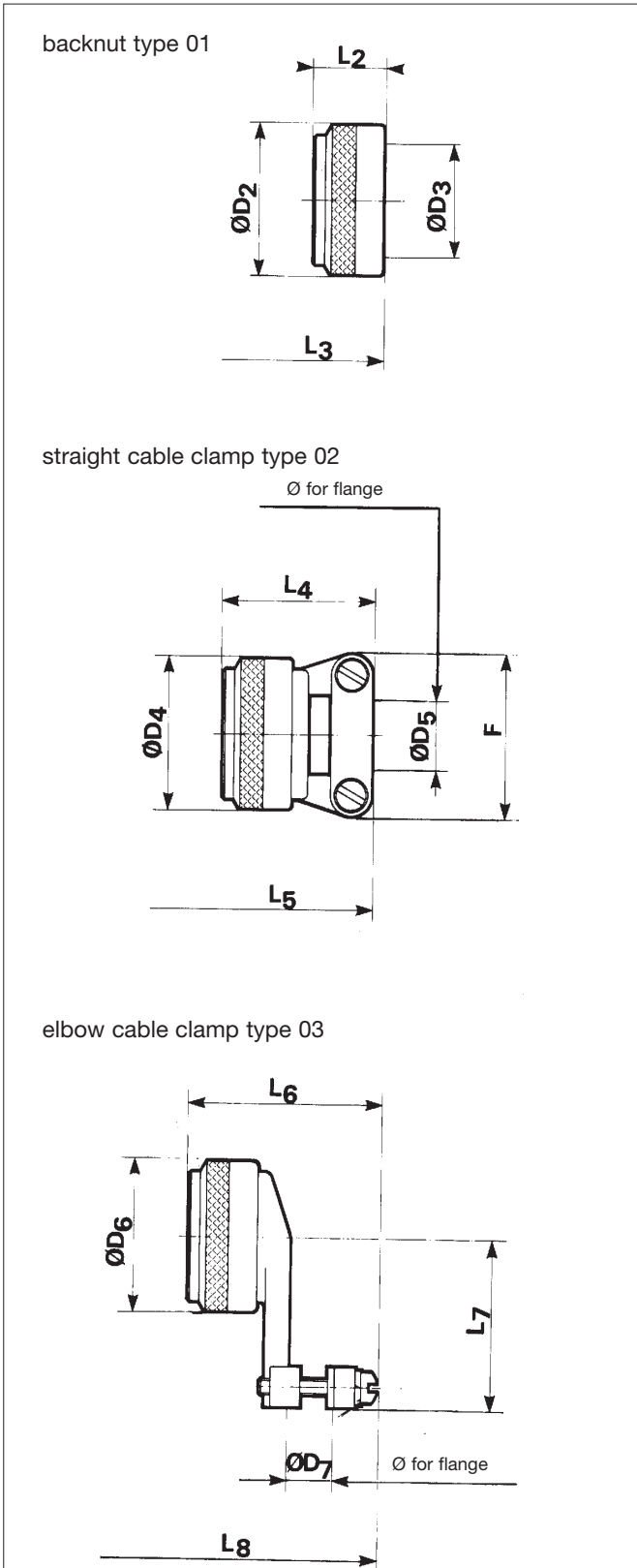
| shell size | contacts layout | service | | | number of contacts | | | | angle in degrees | | | | |
|------------|-----------------|---------|---|----|--------------------|-------------|---------------|---------------|------------------|----|----|-----|-----|
| | | M | I | II | # 22D Ø 0,76 | # 20 Ø 1 | # 16 Ø 1,6 | # 12 Ø 2,4 | N | A | B | C | D |
| 08 | 35 | X | | | 6 | | | | 100 | 82 | - | - | 118 |
| 10 | 35 | X | | | 13 | | | | 100 | 86 | 72 | 128 | 114 |
| 12 | 35 | X | | | | | | | 100 | 80 | 68 | 132 | 120 |
| 14 | 35 | X | | | 37 | | | | 100 | 79 | 66 | 134 | 121 |
| | 18 | | X | | | 18 | | | 100 | 79 | 66 | 134 | 121 |
| 16 | 35 | X | | | 55 | | | | 100 | 82 | 70 | 130 | 118 |
| | 08 | | | X | | | 8 | | 100 | 82 | 70 | 130 | 118 |
| | 06 | | X | | | | | 6 | 100 | 82 | 70 | 130 | 118 |
| 18 | 35 | X | | | 66 | | | | 100 | 82 | 70 | 130 | 118 |
| 20 | 35 | X | | | 79 | | | | 100 | 82 | 70 | 130 | 118 |
| | 41 | | X | | | 41 | | | 100 | 82 | 70 | 130 | 118 |
| | 16 | | | X | | | 16 | | 100 | 82 | 70 | 130 | 118 |
| | 11 | | | X | | | | 11 | 100 | 82 | 70 | 130 | 118 |
| 22 | 35 | X | | | 100 | | | | 100 | 85 | 74 | 126 | 115 |
| 24 | 35 | X | | | 128 | | | | 100 | 85 | 74 | 126 | 115 |
| | 61 | | X | | | 61 | | | 100 | 85 | 74 | 126 | 115 |
| | 29 | | X | | | | 29 | | 100 | 85 | 74 | 126 | 115 |
| | 24 | | X | | | | 12 | 12 | 100 | 85 | 74 | 126 | 115 |

8T Series

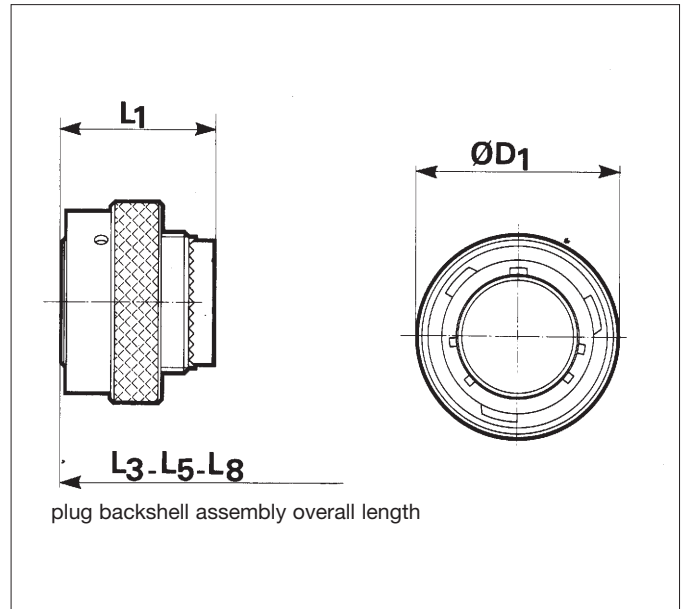


Dimensions

backshells



plug type 6



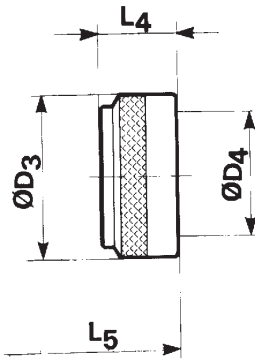
| shell size | 08 | 10 | 12 | 14 | 16 | 18 | 20 | 22 | 24 |
|------------|----------------|----------------|----------------|----------------|----------------|----------------|----------------|----------------|----------------|
| D 1 Max | 19.05 .750 | 21.82 .859 | 26.19 1.031 | 29.36 1.156 | 32.54 1.281 | 35.71 1.406 | 38.89 1.531 | 41.68 1.641 | 44.86 1.766 |
| L1 Max | 23.27 .916 | 23.27 .916 | 23.27 .916 | 23.27 .916 | 23.27 .916 | 23.27 .916 | 23.27 .916 | 23.27 .916 | 25.00 .984 |
| D2 Max | 15.67 .617 | 18.64 .734 | 21.79 .858 | 24.99 .984 | 28.24 1.112 | 30.94 1.218 | 34.16 1.345 | 37.29 1.468 | 40.46 1.593 |
| D3 Max | 6.96 .274 | 10.46 .412 | 13.36 .526 | 16.53 .651 | 19.71 .776 | 22.40 .882 | 25.56 1.006 | 28.75 1.132 | 31.93 1.257 |
| L2 Max | 11.30 .445 | 11.30 .445 | 11.30 .445 | 11.30 .445 | 11.30 .445 | 11.30 .445 | 11.30 .445 | 11.30 .445 | 11.30 .445 |
| L3 Max | 25.16 .991 | 25.16 .991 | 25.16 .991 | 25.16 .991 | 25.16 .991 | 25.16 .991 | 25.16 .991 | 25.16 .991 | 27.14 1.069 |
| D4 Max | 15.67 .617 | 18.64 .734 | 21.79 .858 | 24.99 .984 | 28.24 1.112 | 30.94 1.218 | 34.16 1.345 | 37.29 1.468 | 40.46 1.593 |
| D5 | min | 1.40 .055 | 1.40 .055 | 2.40 .094 | 5.60 .220 | 5.60 .220 | 8.80 .346 | 11.90 .469 | 15.10 .594 |
| | Max | 3.20 .126 | 4.80 .189 | 6.40 .252 | 9.50 .374 | 12.70 .500 | 15.90 .626 | 19.10 .752 | 22.20 .874 |
| F Max | 21.03 .828 | 22.63 .891 | 25.81 1.016 | 28.98 1.141 | 30.56 1.203 | 37.31 1.469 | 37.31 1.469 | 42.06 1.656 | 44.45 1.750 |
| L4 Max | 22.22 .875 | 22.22 .875 | 22.22 .875 | 28.57 1.125 | 28.57 1.125 | 28.57 1.125 | 28.57 1.125 | 31.75 1.250 | 31.75 1.250 |
| L5 Max | 41.26 1.624 | 41.26 1.624 | 41.26 1.624 | 47.16 1.857 | 47.16 1.857 | 47.16 1.857 | 47.16 1.857 | 50.76 1.998 | 50.76 1.998 |
| D6 Max | 15.67 .617 | 18.64 .734 | 21.79 .858 | 24.99 .984 | 28.24 1.112 | 30.94 1.218 | 34.16 1.345 | 37.29 1.468 | 40.46 1.593 |
| D7 | min | 3.20 .126 | 4.00 .157 | 4.80 .189 | 5.50 .217 | 6.40 .252 | 7.90 .311 | 9.50 .374 | 10.30 .406 |
| | Max | 6.40 .252 | 9.50 .374 | 11.10 .437 | 14.30 .563 | 15.90 .626 | 19.10 .752 | 22.20 .874 | 23.80 .937 |
| L6 Max | 35.32 1.391 | 35.32 1.391 | 37.30 1.469 | 41.67 1.641 | 46.04 1.813 | 46.45 1.829 | 48.43 1.907 | 51.98 2.046 | 54.78 2.157 |
| L7 Max | 25.40 1.000 | 26.19 1.031 | 27.79 1.094 | 30.96 1.219 | 32.54 1.281 | 34.14 1.344 | 34.93 1.375 | 34.53 1.359 | 43.66 1.719 |
| L8 Max | 48.82 1.922 | 48.82 1.922 | 50.80 2.000 | 55.17 2.172 | 59.54 2.344 | 59.95 2.360 | 61.93 2.438 | 65.48 2.578 | 70.26 2.766 |

8T Series

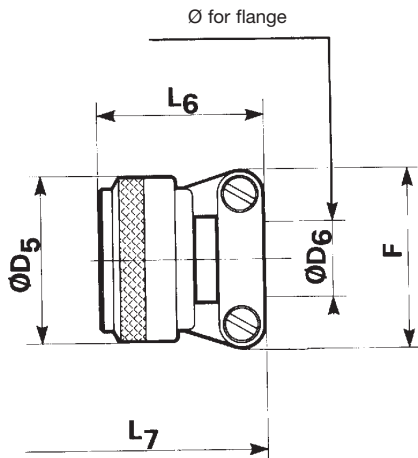


backshells

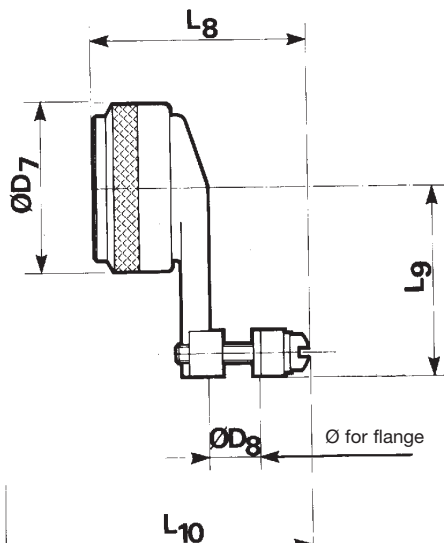
backnut type 01



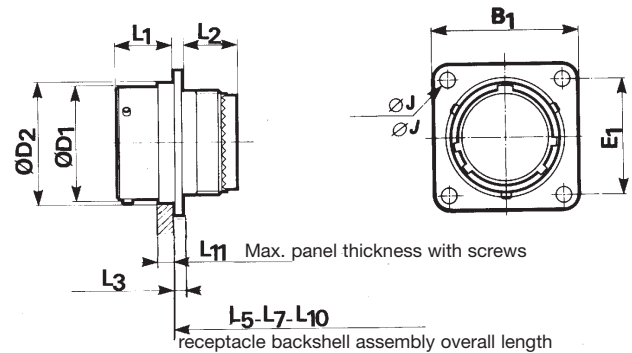
straight cable clamp type 02



elbow cable clamp type 03



receptacle type 3



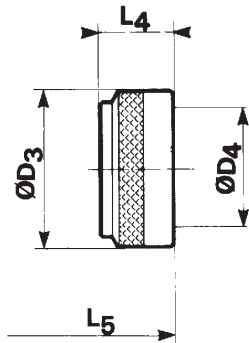
| shell size | | 08 | 10 | 12 | 14 | 16 | 18 | 20 | 22 | 24 |
|------------|-----|----------------|----------------|----------------|----------------|----------------|----------------|----------------|----------------|----------------|
| B1 | Max | 21.03 .828 | 24.23 .954 | 26.59 1.047 | 28.98 1.141 | 31.34 1.234 | 33.73 1.328 | 36.91 1.453 | 40.08 1.578 | 43.26 1.703 |
| | E1 | 15.09 .594 | 18.26 .719 | 20.62 .812 | 23.01 .906 | 24.61 .969 | 26.97 1.062 | 29.36 1.156 | 31.75 1.250 | 34.93 1.375 |
| D1 | Max | 12.04 .474 | 15.02 .591 | 19.08 .751 | 22.25 .876 | 25.43 1.001 | 28.61 1.126 | 31.78 1.251 | 34.95 1.376 | 38.13 1.501 |
| | D2 | Max | 13.89 .547 | 17.07 .672 | 21.44 .844 | 24.61 .969 | 27.79 1.094 | 30.96 1.219 | 34.14 1.344 | 37.31 1.469 |
| L1 | Max | 11.35 .447 | 11.35 .447 | 11.35 .447 | 11.35 .447 | 11.35 .447 | 11.35 .447 | 11.35 .447 | 11.35 .447 | 11.35 .447 |
| | L2 | Max | 12.27 .483 | 12.27 .483 | 12.27 .483 | 12.27 .483 | 12.27 .483 | 12.27 .483 | 12.27 .483 | 12.27 .483 |
| L3 | Max | 1.75 .069 | 1.75 .069 | 1.75 .069 | 1.75 .069 | 1.75 .069 | 1.75 .069 | 1.75 .069 | 1.75 .069 | 1.75 .069 |
| | J | Max | 3.30 .130 | 3.30 .130 | 3.30 .130 | 3.30 .130 | 3.30 .130 | 3.30 .130 | 3.30 .130 | 3.30 .130 |
| D3 | Max | 15.67 .617 | 18.64 .734 | 21.79 .858 | 24.99 .984 | 28.24 1.112 | 30.94 1.218 | 34.16 1.345 | 37.29 1.468 | 40.46 1.593 |
| | D4 | Max | 6.96 .274 | 10.46 .412 | 13.36 .526 | 16.53 .651 | 19.71 .776 | 22.40 .882 | 25.56 1.006 | 28.75 1.132 |
| L4 | Max | 11.30 .445 | 11.30 .445 | 11.30 .445 | 11.30 .445 | 11.30 .445 | 11.30 .445 | 11.30 .445 | 11.30 .445 | 11.30 .445 |
| | L5 | Max | 15.63 .615 | 15.63 .615 | 15.63 .615 | 15.63 .615 | 15.63 .615 | 15.63 .615 | 15.63 .615 | 15.63 .615 |
| D5 | Max | 15.67 .617 | 18.64 .734 | 21.79 .858 | 24.99 .984 | 28.24 1.112 | 30.94 1.218 | 34.16 1.345 | 37.29 1.468 | 40.46 1.593 |
| | min | 1.40 .055 | 1.40 .055 | 2.40 .094 | 5.60 .220 | 5.60 .220 | 8.80 .346 | 11.90 .469 | 15.10 .594 | 15.10 .594 |
| D6 | Max | 3.20 .126 | 4.80 .189 | 6.40 .252 | 9.50 .374 | 12.70 .500 | 15.90 .626 | 19.10 .752 | 22.20 .878 | 25.40 1.000 |
| | F | Max | 21.03 .828 | 22.63 .891 | 25.81 1.016 | 28.98 1.141 | 30.56 1.203 | 37.31 1.469 | 37.31 1.469 | 42.06 1.656 |
| L6 | Max | 22.22 .875 | 22.22 .875 | 22.22 .875 | 28.57 1.125 | 28.57 1.125 | 28.57 1.125 | 28.57 1.125 | 31.75 1.250 | 31.75 1.250 |
| | L7 | Max | 31.73 1.249 | 31.73 1.249 | 31.73 1.249 | 37.68 1.483 | 37.68 1.483 | 37.68 1.483 | 37.68 1.483 | 41.23 1.623 |
| D7 | Max | 15.67 .617 | 18.64 .734 | 21.79 .858 | 24.99 .984 | 28.24 1.112 | 30.94 1.218 | 34.16 1.345 | 37.29 1.468 | 40.46 1.593 |
| | min | 3.20 .126 | 4.00 .157 | 4.80 .189 | 5.50 .217 | 6.40 .252 | 7.90 .311 | 9.50 .374 | 10.30 .406 | 14.30 .563 |
| D8 | Max | 6.40 .252 | 9.50 .374 | 11.10 .437 | 14.30 .563 | 15.90 .626 | 19.10 .752 | 22.20 .878 | 23.80 .937 | 25.40 1.000 |
| | L8 | Max | 35.32 1.391 | 35.32 1.391 | 37.30 1.469 | 41.67 1.641 | 46.04 1.813 | 46.45 1.829 | 48.43 1.907 | 51.98 2.046 |
| L9 | Max | 25.40 1.000 | 26.19 1.031 | 27.79 1.094 | 30.96 1.219 | 32.54 1.281 | 34.14 1.344 | 34.93 1.375 | 36.53 1.438 | 43.66 1.719 |
| | L10 | Max | 39.29 1.547 | 39.29 1.547 | 42.27 1.664 | 45.64 1.797 | 50.01 1.969 | 50.42 1.985 | 52.40 2.063 | 55.95 2.203 |
| L11 | Max | 3.71 .146 | 3.71 .146 | 3.71 .146 | 3.71 .146 | 3.71 .146 | 3.71 .146 | 4.27 .168 | 4.27 .168 | 4.27 .168 |

8T Series

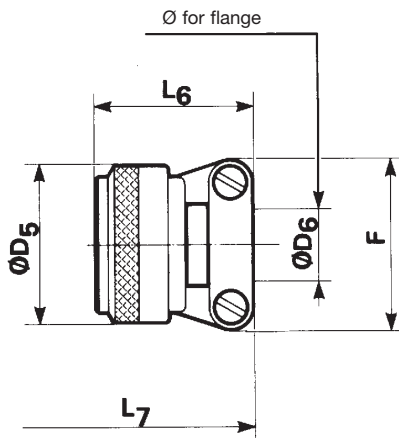


Backshells

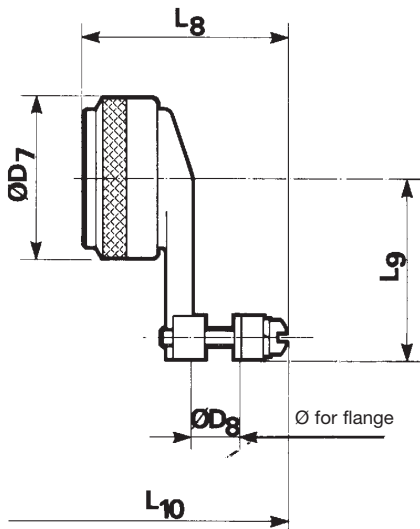
backnut type 01



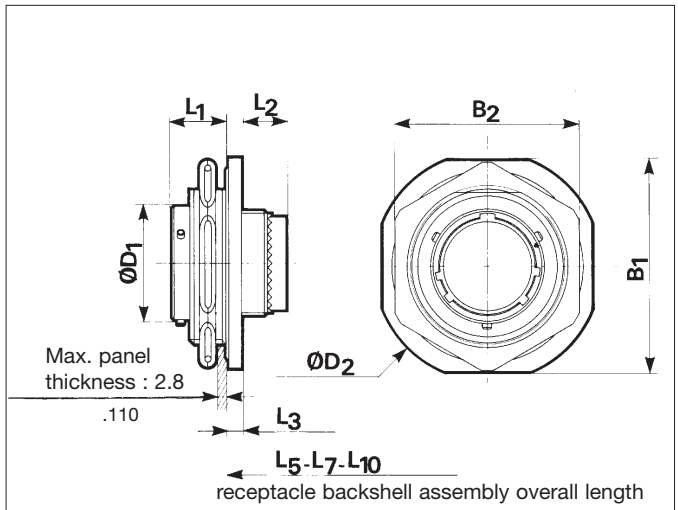
straight cable clamp type 02



elbow cable clamp type 03



Receptacle type 7



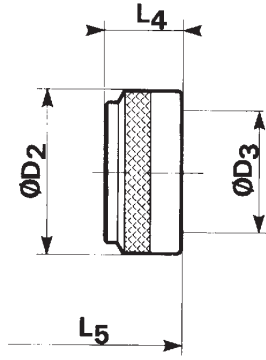
| shell size | | 08 | 10 | 12 | 14 | 16 | 18 | 20 | 22 | 24 |
|------------|-----|-------|-------|-------|-------|-------|-------|-------|-------|-------|
| B1 | Max | 32.16 | 35.34 | 38.51 | 41.69 | 45.65 | 48.42 | 51.62 | 54.77 | 57.94 |
| | | 1.266 | 1.391 | 1.516 | 1.641 | 1.797 | 1.906 | 2.032 | 2.156 | 2.281 |
| B2 | Max | 27.40 | 30.61 | 33.75 | 36.96 | 40.10 | 43.31 | 46.45 | 51.23 | 54.41 |
| | | 1.079 | 1.205 | 1.329 | 1.455 | 1.579 | 1.705 | 1.829 | 2.017 | 2.142 |
| D1 | Max | 12.04 | 15.02 | 19.08 | 22.25 | 25.43 | 28.61 | 31.78 | 34.95 | 38.13 |
| | | .474 | .591 | .751 | .876 | 1.001 | 1.126 | 1.251 | 1.376 | 1.501 |
| D2 | Max | 35.34 | 38.51 | 41.69 | 44.86 | 49.64 | 51.62 | 54.79 | 57.94 | 61.12 |
| | | 1.391 | 1.516 | 1.641 | 1.766 | 1.954 | 2.032 | 2.157 | 2.281 | 2.406 |
| L1 | Max | 11.26 | 11.26 | 11.26 | 11.26 | 11.26 | 11.26 | 11.92 | 11.92 | 11.92 |
| | | .443 | .443 | .443 | .443 | .443 | .443 | .469 | .469 | .469 |
| L2 | Max | 12.55 | 12.55 | 12.55 | 12.55 | 12.55 | 12.55 | 11.73 | 11.73 | 13.08 |
| | | .494 | .494 | .494 | .494 | .494 | .494 | .462 | .462 | .515 |
| L3 | Max | 2.67 | 2.67 | 2.67 | 2.67 | 2.67 | 2.67 | 2.67 | 2.67 | 2.67 |
| | | .105 | .105 | .105 | .105 | .105 | .105 | .105 | .105 | .105 |
| D3 | Max | 15.67 | 18.64 | 21.79 | 24.99 | 28.24 | 30.94 | 34.16 | 37.29 | 40.46 |
| | | .617 | .734 | .858 | .984 | 1.112 | 1.218 | 1.345 | 1.468 | 1.593 |
| D4 | Max | 6.96 | 10.46 | 13.36 | 16.53 | 19.71 | 22.40 | 25.56 | 28.75 | 31.93 |
| | | .274 | .412 | .526 | .651 | .776 | .882 | 1.006 | 1.132 | 1.257 |
| L4 | Max | 11.30 | 11.30 | 11.30 | 11.30 | 11.30 | 11.30 | 11.30 | 11.30 | 11.30 |
| | | .445 | .445 | .445 | .445 | .445 | .445 | .445 | .445 | .445 |
| L5 | Max | 14.44 | 14.44 | 14.44 | 14.44 | 14.44 | 14.44 | 13.62 | 13.62 | 15.22 |
| | | .569 | .569 | .569 | .569 | .569 | .569 | .536 | .536 | .599 |
| D5 | Max | 15.67 | 18.64 | 21.79 | 24.99 | 28.24 | 30.94 | 34.16 | 37.29 | 40.46 |
| | | .617 | .734 | .858 | .984 | 1.112 | 1.218 | 1.345 | 1.468 | 1.593 |
| D6 | min | 1.40 | 1.40 | 2.40 | 5.60 | 5.60 | 8.80 | 11.90 | 15.10 | 15.10 |
| | | .055 | .055 | .094 | .220 | .220 | .346 | .469 | .594 | .594 |
| D6 | Max | 3.20 | 4.80 | 6.40 | 9.50 | 12.70 | 15.90 | 19.10 | 22.20 | 25.40 |
| | | .126 | .189 | .252 | .374 | .500 | .626 | .752 | .874 | 1.000 |
| F | Max | 21.03 | 22.63 | 25.81 | 28.98 | 30.56 | 37.31 | 37.31 | 42.06 | 44.45 |
| | | .828 | .891 | 1.016 | 1.141 | 1.203 | 1.469 | 1.469 | 1.656 | 1.750 |
| L6 | Max | 22.22 | 22.22 | 22.22 | 28.57 | 28.57 | 28.57 | 28.57 | 31.75 | 31.75 |
| | | .875 | .875 | .875 | 1.125 | 1.125 | 1.125 | 1.125 | 1.250 | 1.250 |
| L7 | Max | 30.54 | 30.54 | 30.54 | 36.44 | 36.44 | 36.44 | 35.62 | 39.22 | 38.82 |
| | | 1.202 | 1.202 | 1.202 | 1.435 | 1.435 | 1.435 | 1.402 | 1.544 | 1.528 |
| D7 | Max | 15.67 | 18.64 | 21.79 | 24.99 | 28.24 | 30.94 | 34.16 | 37.29 | 40.46 |
| | | .617 | .734 | .858 | .984 | 1.112 | 1.218 | 1.345 | 1.468 | 1.593 |
| D8 | min | 3.20 | 4.00 | 4.80 | 5.50 | 6.40 | 7.90 | 9.50 | 10.30 | 14.30 |
| | | .126 | .157 | .189 | .217 | .252 | .311 | .374 | .406 | .563 |
| D8 | Max | 6.40 | 9.50 | 11.10 | 14.30 | 15.90 | 19.10 | 22.20 | 23.80 | 25.40 |
| | | .252 | .374 | .437 | .563 | .626 | .752 | .874 | .937 | 1.000 |
| L8 | Max | 35.32 | 35.32 | 37.30 | 41.67 | 46.04 | 46.45 | 48.43 | 51.98 | 54.78 |
| | | 1.391 | 1.391 | 1.469 | 1.641 | 1.813 | 1.829 | 1.907 | 2.046 | 2.157 |
| L9 | Max | 25.40 | 26.19 | 27.79 | 30.96 | 32.54 | 34.14 | 34.93 | 36.53 | 43.66 |
| | | 1.000 | 1.031 | 1.094 | 1.219 | 1.281 | 1.344 | 1.375 | 1.438 | 1.719 |
| L10 | Max | 38.10 | 38.10 | 40.08 | 44.45 | 48.82 | 49.23 | 50.39 | 53.94 | 58.34 |
| | | 1.500 | 1.500 | 1.578 | 1.750 | 1.922 | 1.938 | 1.984 | 2.124 | 2.297 |

8T Series

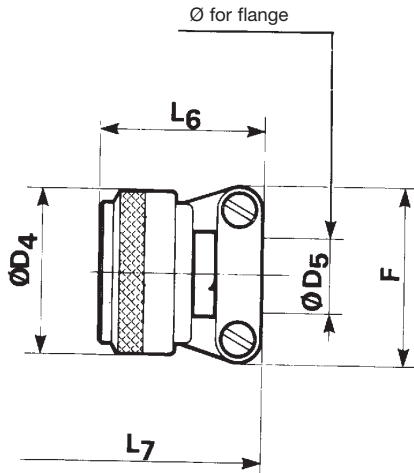


Backshells

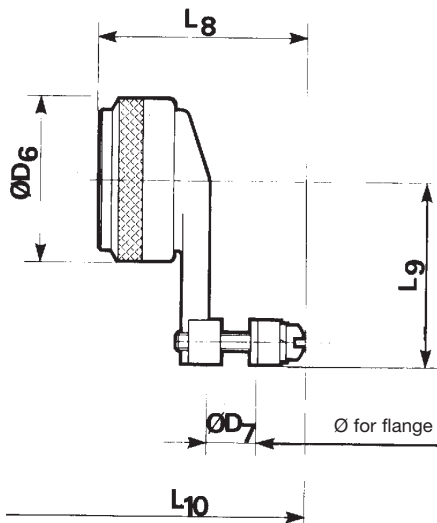
backnut type 01



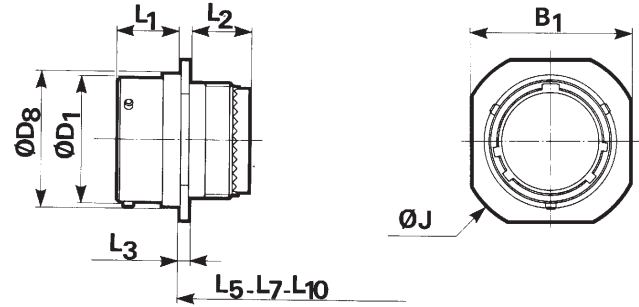
straight cable clamp type 02



elbow cable clamp type 03



Cable connecting receptacle type 1



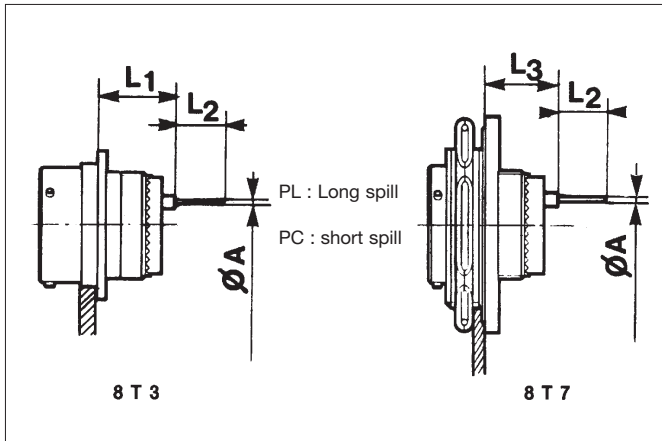
cable connecting receptacle backshell assembly overall length

| shell size | | 08 | 10 | 12 | 14 | 16 | 18 | 20 | 22 | 24 |
|------------|-----|----------------|----------------|----------------|----------------|----------------|----------------|----------------|----------------|----------------|
| B1 | Max | 14.62 .576 | 18.92 .745 | 22.22 .875 | 25.62 .969 | 27.82 1.009 | 31.35 1.095 | 34.62 1.234 | 38.02 1.363 | 42.02 1.654 |
| | D1 | Max | 12.04 .474 | 15.02 .591 | 19.08 .751 | 22.25 .876 | 25.43 1.001 | 28.61 1.126 | 31.78 1.251 | 34.95 1.376 |
| D8 | Max | 13.89 .547 | 17.07 .672 | 21.44 .844 | 24.61 .969 | 27.79 1.094 | 30.96 1.219 | 34.14 1.344 | 37.31 1.469 | 40.49 1.594 |
| | J | Max | 24.51 .965 | 27.60 1.087 | 30.04 1.183 | 32.43 1.277 | 34.82 1.371 | 37.21 1.465 | 40.36 1.589 | 43.56 1.715 |
| L1 | Max | 11.35 .447 | 11.35 .447 | 11.35 .447 | 11.35 .447 | 11.35 .447 | 11.35 .447 | 11.35 .447 | 11.35 .447 | 11.35 .447 |
| | L2 | Max | 12.27 .483 | 12.27 .483 | 12.27 .483 | 12.27 .483 | 12.27 .483 | 12.27 .483 | 12.27 .483 | 12.27 .483 |
| L3 | Max | 1.75 .069 | 1.75 .069 | 1.75 .069 | 1.75 .069 | 1.75 .069 | 1.75 .069 | 1.75 .069 | 1.75 .069 | 1.75 .069 |
| | D2 | Max | 15.67 .617 | 18.64 .734 | 21.79 .858 | 24.99 .984 | 28.24 1.112 | 30.94 1.218 | 34.16 1.345 | 37.29 1.468 |
| D3 | Max | 6.96 .274 | 10.46 .412 | 13.36 .526 | 16.53 .651 | 19.71 .776 | 22.40 .882 | 25.56 1.006 | 28.75 1.132 | 31.93 1.257 |
| | L4 | Max | 11.30 .445 | 11.30 .445 | 11.30 .445 | 11.30 .445 | 11.30 .445 | 11.30 .445 | 11.30 .445 | 11.30 .445 |
| L5 | Max | 15.63 .615 | 15.63 .615 | 15.63 .615 | 15.63 .615 | 15.63 .615 | 15.63 .615 | 15.63 .615 | 15.63 .615 | 17.61 .693 |
| | D4 | Max | 15.67 .617 | 18.64 .734 | 21.79 .858 | 24.99 .984 | 28.24 1.112 | 30.94 1.218 | 34.16 1.345 | 37.29 1.468 |
| D5 | min | 1.40 .055 | 1.40 .055 | 2.40 .094 | 5.60 .220 | 5.60 .220 | 8.80 .346 | 11.90 .469 | 15.10 .594 | 15.10 .594 |
| | Max | 3.20 .126 | 4.80 .189 | 6.40 .252 | 9.50 .374 | 12.70 .500 | 15.90 .626 | 19.10 .752 | 22.20 .874 | 25.40 1.000 |
| F | Max | 21.03 .828 | 22.63 .891 | 25.81 1.016 | 28.98 1.141 | 30.56 1.203 | 37.31 1.469 | 37.31 1.469 | 42.06 1.656 | 44.45 1.750 |
| | L6 | Max | 22.22 .875 | 22.22 .875 | 22.22 .875 | 28.57 1.125 | 28.57 1.125 | 28.57 1.125 | 28.57 1.125 | 31.75 1.250 |
| L7 | Max | 31.73 1.249 | 31.73 1.249 | 31.73 1.249 | 37.68 1.483 | 37.68 1.483 | 37.68 1.483 | 37.68 1.483 | 41.23 1.623 | 41.21 1.622 |
| | D6 | Max | 15.67 .617 | 18.64 .734 | 21.79 .858 | 24.99 .984 | 28.24 1.112 | 30.94 1.218 | 34.16 1.345 | 37.29 1.468 |
| D7 | min | 3.20 .126 | 4.00 .157 | 4.80 .189 | 5.50 .217 | 6.40 .252 | 7.90 .311 | 9.50 .374 | 10.30 .406 | 14.30 .563 |
| | Max | 6.40 .252 | 9.50 .374 | 11.10 .437 | 14.30 .563 | 15.90 .626 | 19.10 .752 | 22.20 .874 | 23.80 .937 | 25.40 1.000 |
| L8 | Max | 35.32 1.391 | 35.32 1.391 | 37.30 1.469 | 41.67 1.641 | 46.04 1.813 | 46.45 1.829 | 48.43 1.907 | 51.98 2.046 | 54.78 2.157 |
| | L9 | Max | 25.40 1.000 | 26.19 1.031 | 27.79 1.094 | 30.96 1.219 | 32.54 1.281 | 34.14 1.344 | 34.93 1.375 | 36.53 1.438 |
| L10 | Max | 39.29 1.547 | 39.29 1.547 | 42.27 1.664 | 45.64 1.797 | 50.01 1.969 | 50.42 1.985 | 52.40 2.063 | 55.95 2.203 | 60.73 2.391 |

8T Series



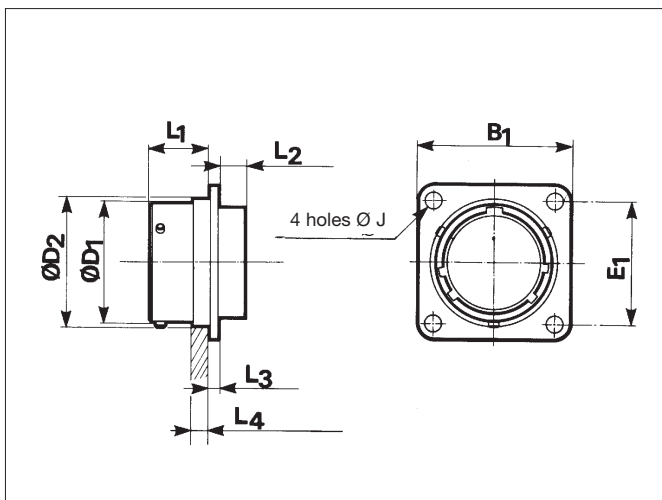
Contacts



| Contact size | Contact type | Part numbers |
|--------------|-------------------|--------------|
| 22D | long spill male | 8599-0720 |
| | long spill female | 8599-7707 |
| | short spill male | 8599-0730 |
| 20 | short spill male | 8599-0724 |
| 16 | short spill male | 8599-0726 |

| shell size | | 08 | 10 | 12 | 14 | 16 | 18 | 20 | 22 | 24 |
|------------|---------------------|---------------|---------------|---------------|---------------|---------------|---------------|---------------|---------------|---------------|
| A | #22D/#20 | 0.70 .028 | 0.70 .028 | 0.70 .028 | 0.70 .028 | 0.70 .028 | 0.70 .028 | 0.70 .028 | 0.70 .028 | 0.70 .028 |
| | #16 | 1.15 .045 | 1.15 .045 | 1.15 .045 | 1.15 .045 | 1.15 .045 | 1.15 .045 | 1.15 .045 | 1.15 .045 | 1.15 .045 |
| L1 | male #22D PC/PL | 13.40 .528 | 13.40 .528 | 13.40 .528 | 13.40 .528 | 13.40 .528 | 13.40 .528 | 13.40 .528 | 13.40 .528 | 13.40 .528 |
| | female #22D PL | 13.40 .528 | 13.40 .528 | 13.40 .528 | 13.40 .528 | 13.40 .528 | 13.40 .528 | 13.40 .528 | 13.40 .528 | 13.40 .528 |
| | male #20PC ; #16 PC | 13.57 .534 | 13.57 .534 | 13.57 .534 | 13.57 .534 | 13.57 .534 | 13.57 .534 | 13.57 .534 | 13.57 .534 | 13.57 .534 |
| L2 | PL #22D | 8.50 .335 | 8.50 .335 | 8.50 .335 | 8.50 .335 | 8.50 .335 | 8.50 .335 | 8.50 .335 | 8.50 .335 | 8.50 .335 |
| | PC #22D | 4.00 .157 | 4.00 .157 | 4.00 .157 | 4.00 .157 | 4.00 .157 | 4.00 .157 | 4.00 .157 | 4.00 .157 | 4.00 .157 |
| | PC #20 / PC #16 | 5.10 .201 | 5.10 .201 | 5.10 .201 | 5.10 .201 | 5.10 .201 | 5.10 .201 | 5.10 .201 | 5.10 .201 | 5.10 .201 |
| L3 | male #22D PC/PL | 13.61 .536 | 13.61 .536 | 13.61 .536 | 13.61 .536 | 13.61 .536 | 13.61 .536 | 12.95 .510 | 12.95 .510 | 12.95 .510 |
| | female #22D PL | 13.61 .536 | 13.61 .536 | 13.61 .536 | 13.61 .536 | 13.61 .536 | 13.61 .536 | 12.95 .510 | 12.95 .510 | 12.95 .510 |
| | male #20 PC ; 16 PC | 13.78 .543 | 13.78 .543 | 13.78 .543 | 13.78 .543 | 13.78 .543 | 13.78 .543 | 13.12 .517 | 13.12 .517 | 13.12 .517 |

Receptacle type 2



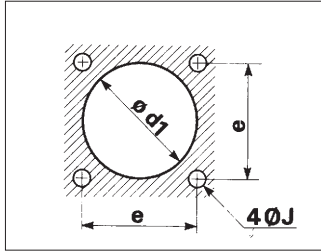
| shell size | | 08 | 10 | 12 | 14 | 16 | 18 | 20 | 22 | 24 |
|------------|-----|---------------|---------------|----------------|----------------|----------------|----------------|----------------|----------------|----------------|
| B1 | Max | 21.03 .828 | 24.24 .954 | 26.72 1.052 | 29.01 1.142 | 31.37 1.235 | 33.73 1.328 | 36.91 1.453 | 40.08 1.578 | 43.26 1.70 |
| | E1 | 15.10 .594 | 18.26 .719 | 20.62 .812 | 23.01 .906 | 24.61 .969 | 26.97 1.062 | 29.36 1.156 | 31.75 1.250 | 34.93 1.375 |
| D1 | Max | 12.01 .473 | 15.00 .591 | 19.06 .750 | 22.23 .875 | 25.41 1.000 | 28.61 1.126 | 31.78 1.251 | 34.95 1.376 | 38.13 1.501 |
| | D2 | Max | 13.24 .521 | 16.19 .637 | 20.48 .806 | 23.70 .933 | 26.83 1.056 | 30.96 1.219 | 34.14 1.344 | 37.31 1.469 |
| J | Max | 3.30 .130 | 3.30 .130 | 3.30 .130 | 3.30 .130 | 3.30 .130 | 3.30 .130 | 3.30 .130 | 3.30 .130 | 3.99 .157 |
| | L1 | Max | 11.35 .447 | 11.35 .447 | 11.35 .447 | 11.35 .447 | 11.35 .447 | 11.35 .447 | 11.35 .447 | 11.35 .447 |
| L2 | Max | 4.77 .188 | 4.77 .188 | 4.77 .188 | 4.77 .188 | 4.77 .188 | 4.77 .188 | 4.77 .188 | 4.77 .188 | 4.77 .188 |
| | L3 | Max | 1.75 .069 | 1.75 .069 | 1.75 .069 | 1.75 .069 | 1.75 .069 | 1.75 .069 | 1.75 .069 | 1.75 .069 |
| L4 | Max | 3.71 .146 | 3.71 .146 | 3.71 .146 | 3.71 .146 | 3.71 .146 | 3.71 .146 | 4.27 .168 | 4.27 .168 | 4.27 .168 |

8T Series

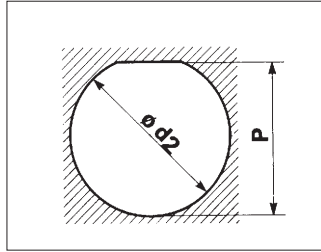


Panel cut-out

square flange receptacle

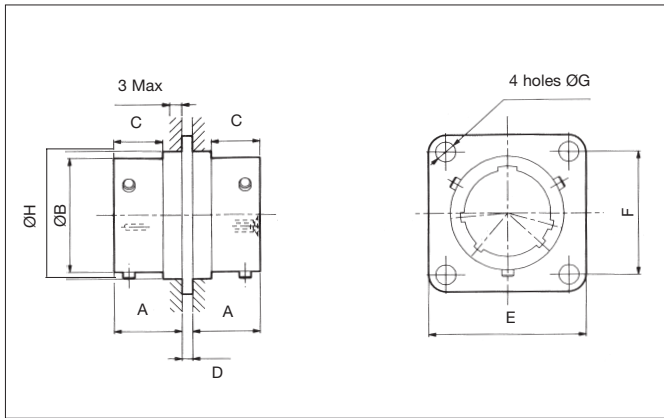


jam nut receptacle



| shell size | 08 | 10 | 12 | 14 | 16 | 18 | 20 | 22 | 24 |
|------------|---------------|----------------|----------------|----------------|----------------|----------------|----------------|----------------|----------------|
| d1 min | 14.15 .557 | 17.32 .682 | 21.69 .854 | 24.87 .979 | 28.04 1.104 | 31.22 1.229 | 34.39 1.354 | 37.57 1.479 | 40.74 1.604 |
| d2 | 22.46 .884 | 25.58 1.007 | 28.80 1.134 | 31.98 1.259 | 35.15 1.384 | 38.28 1.507 | 41.50 1.634 | 44.68 1.759 | 47.85 1.884 |
| J | 3.25 .128 | 3.25 .128 | 3.25 .128 | 3.25 .128 | 3.25 .128 | 3.25 .128 | 3.25 .128 | 3.25 .128 | 3.91 .154 |
| e | 15.09 .594 | 18.26 .719 | 20.62 .812 | 23.01 .906 | 24.61 .969 | 26.97 1.062 | 29.36 1.156 | 31.75 1.250 | 34.93 1.375 |
| P | 21.08 .830 | 24.26 .955 | 27.53 1.084 | 30.68 1.208 | 33.86 1.333 | 37.06 1.459 | 40.03 1.576 | 43.21 1.701 | 46.38 1.826 |

Through bulkhead receptacle



| shell size | A Max | B Max | C Max | D Max | E Max | F | G Max | H Max |
|------------|---------------|----------------|--------------|--------------|----------------|----------------|--------------|----------------|
| 08 | 11.35 .447 | 12.04 .474 | 8.18 .322 | 1.75 .069 | 21.03 .828 | 15.09 .594 | 3.30 .130 | 13.89 .547 |
| 10 | 11.35 .447 | 15.02 .591 | 8.18 .322 | 1.75 .069 | 24.23 .954 | 18.26 .719 | 3.30 .130 | 17.07 .672 |
| 12 | 11.35 .447 | 19.08 .751 | 8.18 .322 | 1.75 .069 | 26.59 1.047 | 20.62 .812 | 3.30 .130 | 21.44 .844 |
| 14 | 11.35 .447 | 22.25 .876 | 8.18 .322 | 1.75 .069 | 28.98 1.141 | 23.01 .906 | 3.30 .130 | 24.61 .969 |
| 16 | 11.35 .447 | 25.43 1.001 | 8.18 .322 | 1.75 .069 | 31.34 1.234 | 24.61 .969 | 3.30 .130 | 27.79 1.094 |
| 18 | 11.35 .447 | 28.61 1.126 | 8.18 .322 | 1.75 .069 | 33.73 1.328 | 26.97 1.062 | 3.30 .130 | 30.96 1.219 |
| 20 | 11.35 .447 | 31.78 1.251 | 8.18 .322 | 1.75 .069 | 36.91 1.453 | 29.36 1.156 | 3.30 .130 | 34.14 1.344 |
| 22 | 11.35 .447 | 34.95 1.376 | 8.18 .322 | 1.75 .069 | 40.08 1.578 | 31.75 1.250 | 3.30 .130 | 37.31 1.469 |
| 24 | 11.35 .447 | 38.13 1.501 | 8.18 .322 | 1.75 .069 | 43.26 1.703 | 34.92 1.375 | 3.98 .157 | 40.49 1.594 |

Ordering information

| | | | | | | | | |
|----------------|---|----|---|----|----|----|---|---|
| basic series | SN1738 | 04 | T | •• | •• | PS | N | 7 |
| shell type | 04 - through bulkhead receptacle | | | | | | | |
| class | T - sealed | | | | | | | |
| shell size | 08-10-12-14-16-18-20-22-24 | | | | | | | |
| contact layout | - see standard layout for 8T Series p 120 | | | | | | | |
| contact type | PS - male/female contact | | | | | | | |
| polarization | N - normal | | | | | | | |
| plating | 7 - olive green cadmium | | | | | | | |

Accessories

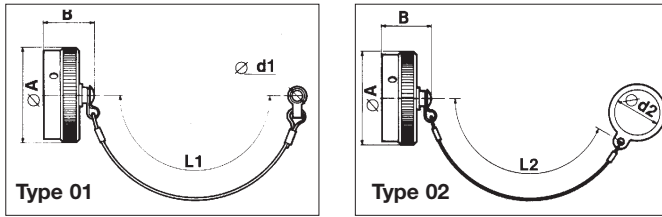
protective caps

| | | | | | |
|--------------|--|---|---|---|----|
| basic series | 8T | E | 01 | G | 14 |
| cap type | E - cap for receptacle F - cap for plug | | | | |
| fixing type | cap for receptacle 01 - plastic sleeved metal cord with eyelet 02 - plastic sleeved metal cord with ring | | cap for plug 01 - plastic sleeved metal cord with eyelet | | |
| plating | B - olive green cadmium (MIL-C 38999) F - nickel | | | | |
| shell size | 08-10-12-14-16-18-20-22-24 | | | | |

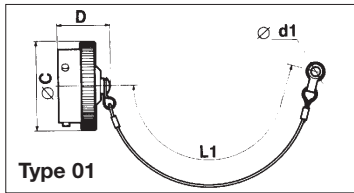
8T Series



Protective caps for receptacles

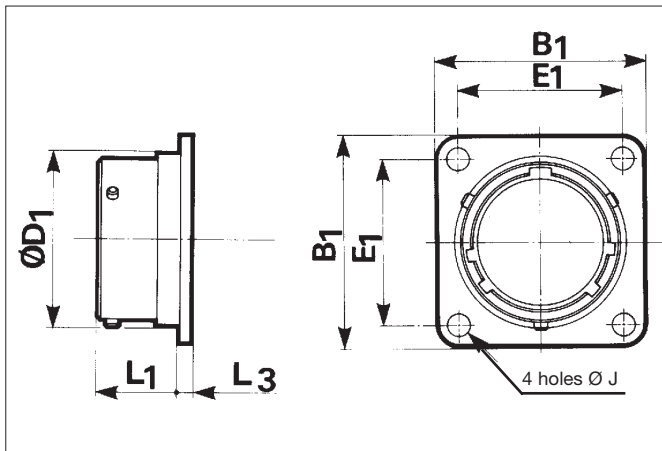


Protective caps for plugs



| shell size | A Max | B Max | C Max | D Max | d1 min | d2 min | L1 | L2 |
|------------|----------------|---------------|----------------|---------------|--------------|----------------|-----------------|-----------------|
| 08 | 19.05 .750 | 20.83 .820 | 18.29 .720 | 20.83 .820 | 3.12 .123 | 22.61 .890 | 76.20 3.000 | 76.20 3.000 |
| 10 | 21.82 .859 | 20.83 .820 | 21.59 .850 | 20.83 .820 | 3.12 .123 | 25.65 1.010 | 76.20 3.000 | 76.20 3.000 |
| 12 | 26.19 1.031 | 20.83 .820 | 25.40 1.000 | 20.83 .820 | 3.12 .123 | 28.96 1.140 | 88.90 3.500 | 88.90 3.500 |
| 14 | 29.36 1.156 | 20.83 .820 | 28.70 1.130 | 20.83 .820 | 3.12 .123 | 32.00 1.260 | 88.90 3.500 | 88.90 3.500 |
| 16 | 32.54 1.281 | 20.83 .820 | 31.75 1.250 | 20.83 .820 | 3.12 .123 | 35.31 1.390 | 88.90 3.500 | 88.90 3.500 |
| 18 | 35.71 1.406 | 20.83 .820 | 35.05 1.380 | 20.83 .820 | 3.12 .123 | 38.35 1.510 | 88.90 3.500 | 88.90 3.500 |
| 20 | 38.89 1.531 | 20.83 .820 | 38.10 1.500 | 20.83 .820 | 3.12 .123 | 41.66 1.640 | 101.60 4.000 | 101.60 4.000 |
| 22 | 41.68 1.641 | 20.83 .820 | 41.40 1.630 | 20.83 .820 | 3.12 .123 | 44.70 1.760 | 101.60 4.000 | 101.60 4.000 |
| 24 | 44.86 1.766 | 20.83 .820 | 44.45 1.750 | 20.83 .820 | 3.53 .139 | 48.01 1.890 | 101.60 4.000 | 101.60 4.000 |

Dummy receptacle



| shell size | part number | L1 Max | L3 Max | D1 Max | B1 Max | E1 | J |
|------------|-------------|---------------|--------------|----------------|----------------|----------------|--------------|
| 08 | 8T3-08•UR | 11.35 .447 | 1.75 .069 | 12.04 .474 | 21.03 .828 | 15.09 .594 | 3.30 .130 |
| 10 | 8T3-10•UR | 11.35 .447 | 1.75 .069 | 15.02 .591 | 24.23 .954 | 18.26 .719 | 3.30 .130 |
| 12 | 8T3-12•UR | 11.35 .447 | 1.75 .069 | 19.08 .751 | 26.59 1.047 | 20.62 .812 | 3.30 .130 |
| 14 | 8T3-14•UR | 11.35 .447 | 1.75 .069 | 22.25 .876 | 28.98 1.141 | 23.01 .906 | 3.30 .130 |
| 16 | 8T3-16•UR | 11.35 .447 | 1.75 .069 | 25.43 1.001 | 31.34 1.234 | 24.61 .969 | 3.30 .130 |
| 18 | 8T3-18•UR | 11.35 .447 | 1.75 .069 | 28.61 1.126 | 33.73 1.328 | 26.97 1.062 | 3.30 .130 |
| 20 | 8T3-20•UR | 11.35 .447 | 1.75 .069 | 31.78 1.251 | 36.91 1.453 | 29.36 1.156 | 3.30 .130 |
| 22 | 8T3-22•UR | 11.35 .447 | 1.75 .069 | 34.95 1.376 | 40.08 1.578 | 31.75 1.250 | 3.30 .130 |
| 24 | 8T3-24•UR | 11.35 .447 | 1.75 .069 | 38.13 1.501 | 43.26 1.703 | 34.93 1.375 | 3.99 .157 |

• : G olive green cadmium
F nickel

Gaskets

| Shell size | Part numbers | |
|------------|---|-------------------------------|
| | gasket for receptacle type 3 (ordered separately) | O. ring for receptacle type 7 |
| 08 | 8525-1431 | MS9068-022 |
| 10 | 8525-1432 | MS9068-024 |
| 12 | 8525-1433 | MS9068-026 |
| 14 | 8525-1434 | MS9068-028 |
| 16 | 8525-1435 | MS9068-029 |
| 18 | 8525-1436 | MS9068-030 |
| 20 | 8525-1437 | MS9068-031 |
| 22 | 8525-1438 | MS9068-032 |
| 24 | 8525-1439 | MS9068-033 |

Plastic protective caps

| Shell size | Part numbers | |
|------------|---------------------|--------------|
| | cap for receptacles | cap for plug |
| 08 | 8500-5585A | 8500-5594 |
| 10 | 8500-5586A | 71120 |
| 12 | 8500-5587A | 8500-5596 |
| 14 | 8500-5588A | 8500-5597 |
| 16 | 8500-5589A | 8500-5598 |
| 18 | 8500-5590A | 8500-5589 |
| 20 | 8500-5591A | 8500-5600 |
| 22 | 8500-5592A | 8500-5601 |
| 24 | 8500-5593A | 8500-5602 |

Reusable fixing plate

Two, three or four-holes self-locking fixing-plates are available at SHTP. See page 126.

8D Aluminum Series



Applications

High density connectors for all military and aeronautical purposes with severe vibration environment

Standards

MIL-C 38999 Series III - QPL approved
Pr EN 3645



Description

- High density connector from 1 to 128 contacts
- Sizes 22D, 20, 16, 12, # 16 coax and # 8 triax
- A quick screw coupling with anti-decoupling mechanism
- 100 % scoop proof
- An EMI/RFI reinforced shielding with grounding fingers

Characteristics

Mechanical

- Shell : aluminum alloy
- Plating :
 - olive green cadmium (W)
 - nickel (F)
- Insulator : thermoplastic or thermoset
- Grommet and seal : silicone elastomer
- Contact : copper alloy
- Plating : gold over nickel
- Endurance :
 - 500 mating/unmating operations
- Shock : high impact as per MIL-S 901
- Vibration :
 - sine 60 g with temperature cycling and simulated accessory (36 hours)
 - random :
 - 44.1 grms at high temperature
 - 49.5 grms at ambient temperature
- Contact retention (mini force in N) :
 - size 22 D : 45 N - size 20 : 67 N
 - size 16 : 111 N - size 12 : 111 N
 - size 8 : 111 N

Electrical

- Test voltage (Vrms)

| Service | sea level | at 21000 m |
|---------|-----------|------------|
| M | 1300 | 800 |
| N | 1000 | 600 |
| I | 1800 | 1000 |
| II | 2300 | 1000 |

- Contact resistance :
 - resistance of wire included in measurement :
 - size 22 D : 14.6 mΩ - size 16 : 3.8 mΩ
 - size 20 : 7.3 mΩ - size 12 : 1.7 mΩ
 - size 8 : 3 mΩ
- Insulation resistance : ≥ 5000 MΩ (at 500 Vdc)
- Contact rating :
 - size 22 D : 5 A - size 16 : 13 A
 - size 20 : 7.5 A - size 12 : 23 A
 - size 8 : 45 A
- Shell continuity : - olive green plating : 2.5 mΩ
- nickel plating : 1 mΩ
- Shielding : - 65 db to 10 GHz (F)
- 50 db to 10 GHz (W)
- 85 db to 1 GHz (F and W)
- Triaxial contact : # 8
 - bandwidth : 0 - 20 MHz
 - voltage rating : 500 Vac maxi.
125 Vac at 21000 m
 - voltage drop :
 - inner and middle contact ≤ 55 mV under 1A
 - outer contact ≤ 75 mV under 12A

Climatic

- Temperature range :
 - cadmium plating (W) -65°C +175°C
 - nickel plating (F) -65°C +200°C
- Sealing : mated connectors meet altitude immersion requirements of MIL-C 38999
- Salt spray to : MIL-STD 1344 method 1001
 - 500 hours (version W)
 - 48 hours (version F)
- Damp heat : MIL-C 38999 - 10 cycles (24 hours)

Resistance to fluids

- To MIL-C 38999 standard :
- Gasoline : JP5 (OTAN F44)
 - Mineral hydraulic fluid : MIL-H 5606 (OTAN H515)
 - Synthetic hydraulic fluid : skydrol 500 B4, LD4 (SAE AS 1241)
 - Mineral lubricating : MIL-L 7870A (OTAN 0142)
 - Synthetic lubricating : MIL-L 23699 (OTAN 0156), MIL-L 7808
 - Cleaning fluid : MIL-C 25769 diluted
 - De-icing fluid : MIL-A 8243
 - Extinguishing fluid : chlorobromethane
 - Cooling fluid : Coolanol

Ordering information

Part numbers

| basic series | 8 D 0 - 11 W 35 P N *** | | | | | | | | | |
|----------------|--|--|--|--|--|--|--|--|--|--|
| shell type | 0 - square flange receptacle 7 - jam nut receptacle 5 - plug with RFI shielding | | | | | | | | | |
| designator | - - connectors with crimp contacts L - receptacle with long spill (male and female # 22D) C - receptacle with short spill (male and female # 22D - # 20 - # 16) S - receptacle with specific spill (male and female # 22D) W - receptacle with male contacts size 22D for wire wrap (3 wraps) T - receptacle with male contacts size 20 for wire wrap (2 wraps) | | | | | | | | | |
| shell size | 09-11-13-15-17-19-21-23-25 | | | | | | | | | |
| plating | W - olive green cadmium F - nickel | | | | | | | | | |
| contact layout | - see table p 120 | | | | | | | | | |
| contact type | P - male S - female | | | | | A - male connector supplied less contact or with specific contacts B - female connector supplied less contact or with specific contacts | | | | |
| polarization | N- normal A-B-C-D-E - see table p 109 046 tinned straight spill | | | | | | | | | |

8D Aluminum Series



MIL-C 38999 part numbers

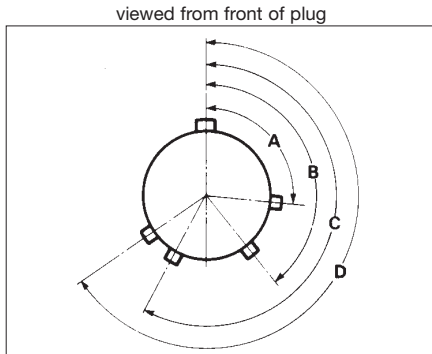
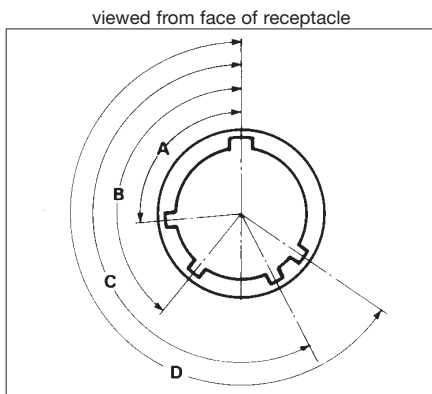
| | | | | | | | | | | | | | | | | | |
|-----------------------|---|----|--|----|----|----|----|----|----|--|-----------|----------|----------|-----------|----------|----------|--|
| basic series | D 38999/ | | | | | | | | | | 20 | W | B | 35 | P | N | |
| shell type | 20 - square flange receptacle 24 - jam nut receptacle 26 - plug with RFI shielding | | | | | | | | | | | | | | | | |
| plating | W - olive green cadmium F - nickel | | | | | | | | | | | | | | | | |
| shell size | A to J | | | | | | | | | | | | | | | | |
| | 09 | 11 | 13 | 15 | 17 | 19 | 21 | 23 | 25 | | | | | | | | |
| | A | B | C | D | E | F | G | H | J | | | | | | | | |
| contact layout | - see table p 109 | | | | | | | | | | | | | | | | |
| contact type | P - male S - female | | A - male connector supplied less contact or with specific contacts B - female connector supplied less contact or with specific contacts | | | | | | | | | | | | | | |
| polarization | N - normal A-B-C-D-E - see table below | | | | | | | | | | | | | | | | |

Backshells

| | | | | | | | | | | | | | | | |
|-----------------------|--|-----|-----|-----|-----|-----|-----|-----|-----|--|-----------|------------|----------|-----------|--|
| basic series | | | | | | | | | | | 8D | 102 | B | 02 | |
| shell size | 09 | 11 | 13 | 15 | 17 | 19 | 21 | 23 | 25 | | | | | | |
| index number | 101 | 102 | 103 | 104 | 105 | 106 | 107 | 108 | 109 | | | | | | |
| plating | B - olive green cadmium F - nickel | | | | | | | | | | | | | | |
| backshell type | 01 - backnut 02 - straight cable clamp 03 - elbow cable clamp 13 - backshell for heat shrink sleeving | | | | | | | | | | | | | | |

NOTE : Backshells will be marked with supplier's part number. Labels will bear both part numbers : supplier's and Souriau's.

Polarization



| shell size | MS shell size | angles | N | A | B | C | D | E |
|------------|---------------|--------|-----|-----|-----|-----|-----|-----|
| 9 | A | A° | 105 | 102 | 80 | 35 | 64 | 91 |
| | | B° | 140 | 132 | 118 | 140 | 155 | 131 |
| | | C° | 215 | 248 | 230 | 205 | 234 | 197 |
| | | D° | 265 | 320 | 312 | 275 | 304 | 240 |
| 11 | B | A° | 95 | 113 | 90 | 53 | 119 | 51 |
| | | B° | 141 | 156 | 145 | 156 | 146 | 141 |
| | | C° | 208 | 182 | 195 | 220 | 176 | 184 |
| | | D° | 236 | 292 | 252 | 255 | 298 | 242 |
| 13 | C | A° | 95 | 113 | 90 | 53 | 119 | 51 |
| | | B° | 141 | 156 | 145 | 156 | 146 | 141 |
| | | C° | 208 | 182 | 195 | 220 | 176 | 184 |
| | | D° | 236 | 292 | 252 | 255 | 298 | 242 |
| 15 | D | A° | 95 | 113 | 90 | 53 | 119 | 51 |
| | | B° | 141 | 156 | 145 | 156 | 146 | 141 |
| | | C° | 208 | 182 | 195 | 220 | 176 | 184 |
| | | D° | 236 | 292 | 252 | 255 | 298 | 242 |
| 17 | E | A° | 80 | 135 | 49 | 66 | 62 | 79 |
| | | B° | 142 | 170 | 169 | 140 | 145 | 153 |
| | | C° | 196 | 200 | 200 | 200 | 180 | 197 |
| | | D° | 293 | 310 | 244 | 257 | 280 | 272 |
| 19 | F | A° | 80 | 135 | 49 | 66 | 62 | 79 |
| | | B° | 142 | 170 | 169 | 140 | 145 | 153 |
| | | C° | 196 | 200 | 200 | 200 | 180 | 197 |
| | | D° | 293 | 310 | 244 | 257 | 280 | 272 |
| 21 | G | A° | 80 | 135 | 49 | 66 | 62 | 79 |
| | | B° | 142 | 170 | 169 | 140 | 145 | 153 |
| | | C° | 196 | 200 | 200 | 200 | 180 | 197 |
| | | D° | 293 | 310 | 244 | 257 | 280 | 272 |
| 23 | H | A° | 80 | 135 | 49 | 66 | 62 | 79 |
| | | B° | 142 | 170 | 169 | 140 | 145 | 153 |
| | | C° | 196 | 200 | 200 | 200 | 180 | 197 |
| | | D° | 293 | 310 | 244 | 257 | 280 | 272 |
| 25 | J | A° | 80 | 135 | 49 | 66 | 62 | 79 |
| | | B° | 142 | 170 | 169 | 140 | 145 | 153 |
| | | C° | 196 | 200 | 200 | 200 | 180 | 197 |
| | | D° | 293 | 310 | 244 | 257 | 280 | 272 |

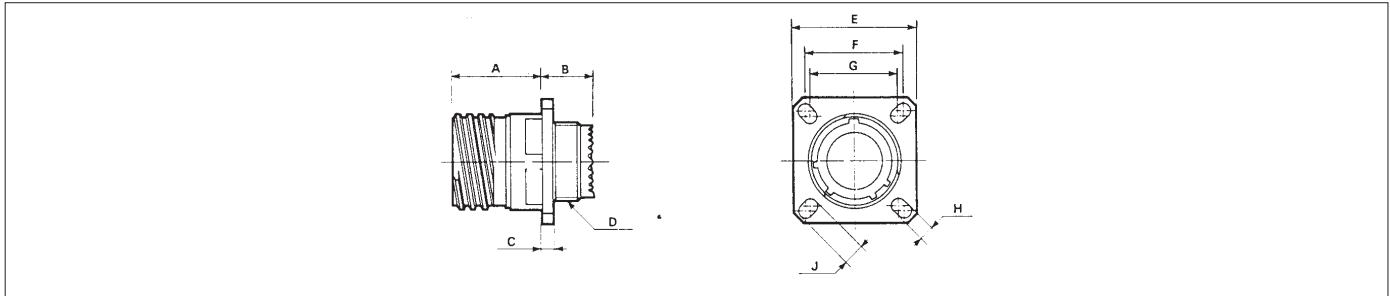
Note : Polarization A.B.C.D.E. consult us.

8D Aluminum Series



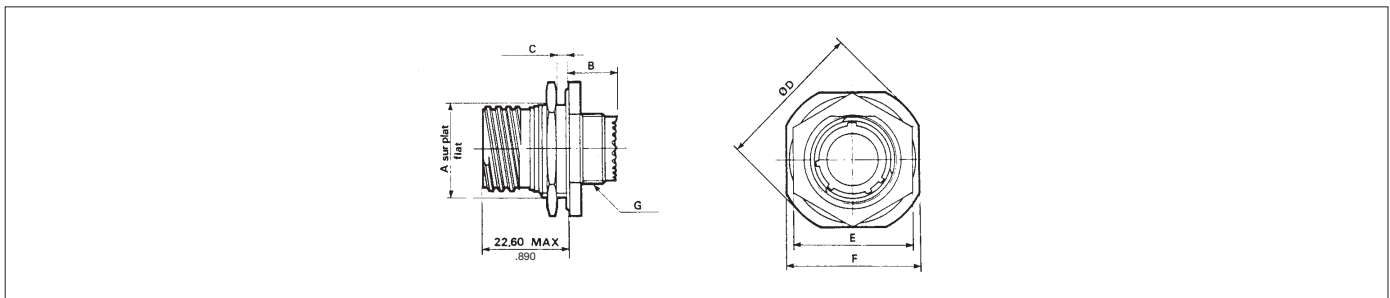
Dimensions

Receptacle type 0



| shell size | MS shell size | A Max | B Max | C Max | D Thread | E | F | G | H | J |
|------------|---------------|---------------|---------------|--------------|--------------|----------------|----------------|----------------|--------------|--------------|
| 9 | A | 20.90 .823 | 10.60 .417 | 2.50 .098 | M 12x 1-6g | 23.80 .937 | 18.26 .719 | 15.09 .594 | 3.25 .128 | 5.49 .216 |
| 11 | B | 20.90 .823 | 10.60 .417 | 2.50 .098 | M 15 x 1-6g | 26.20 1.031 | 20.62 .812 | 18.26 .719 | 3.25 .128 | 4.93 .194 |
| 13 | C | 20.90 .823 | 10.60 .417 | 2.50 .098 | M 18 x 1-6g | 28.60 1.126 | 23.01 .906 | 20.62 .812 | 3.25 .128 | 4.93 .194 |
| 15 | D | 20.90 .823 | 10.60 .417 | 2.50 .098 | M 22x 1-6g | 31.00 1.220 | 24.61 .969 | 23.01 .906 | 3.25 .128 | 4.39 .173 |
| 17 | E | 20.90 .823 | 10.60 .417 | 2.50 .098 | M 25 x 1 -6g | 33.30 1.311 | 26.97 1.062 | 24.61 .969 | 3.25 .128 | 4.93 .194 |
| 19 | F | 20.90 .823 | 10.60 .417 | 2.50 .098 | M 28 x 1-6g | 36.50 1.437 | 29.36 1.156 | 26.97 1.062 | 3.25 .128 | 4.93 .194 |
| 21 | G | 20.10 .791 | 11.40 .449 | 3.20 .126 | M 31 x 1-6g | 39.70 1.563 | 31.75 1.250 | 29.36 1.156 | 3.25 .128 | 4.93 .194 |
| 23 | H | 20.10 .791 | 11.40 .449 | 3.20 .126 | M 34x 1-6g | 42.90 1.689 | 34.93 1.375 | 31.75 1.250 | 3.91 .154 | 6.15 .242 |
| 25 | J | 20.10 .791 | 11.40 .449 | 3.20 .126 | M 37x 1-6g | 46.00 1.811 | 38.10 1.500 | 34.93 1.375 | 3.91 .154 | 6.15 .242 |

Receptacle type 7

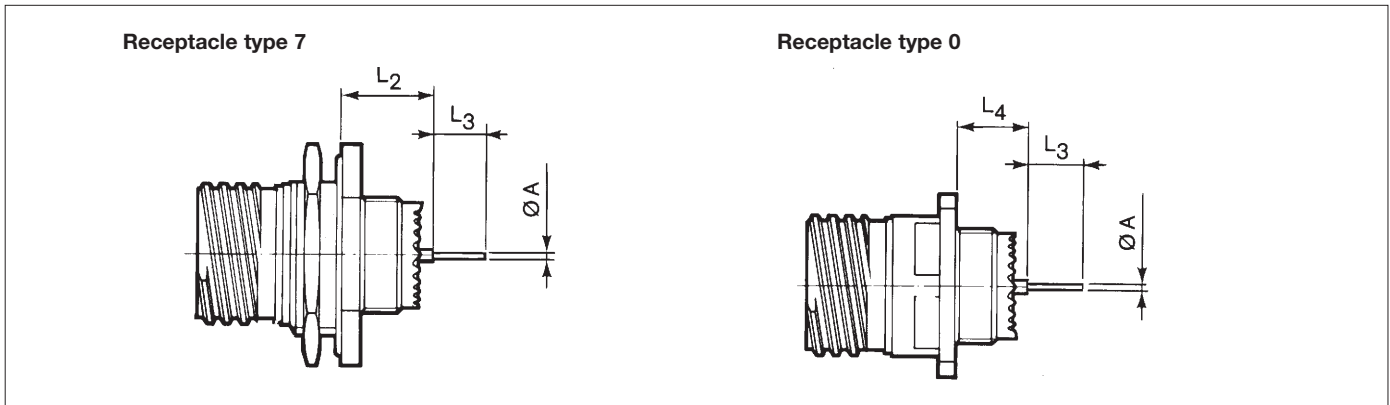


| shell size | MS shell size | A | B Max | C Max | D Max | E Max | F | G Thread |
|------------|---------------|----------------|--------------|--------------|---------------|----------------|----------------|------------|
| 9 | A | 16.53 .651 | 9.90 .390 | 3.20 .126 | 30.50 .126 | 24.00 .945 | 27.00 1.063 | M 12x1-6g |
| 11 | B | 19.07 .751 | 9.90 .390 | 3.20 .126 | 35.20 .126 | 27.00 1.063 | 31.80 1.252 | M 15x 1-6g |
| 13 | C | 23.82 .938 | 9.90 .390 | 3.20 .126 | 38.40 .126 | 32.00 1.260 | 34.90 1.374 | M 18x1-6g |
| 15 | D | 26.97 1.062 | 9.90 .390 | 3.20 .126 | 41.60 .126 | 36.00 1.417 | 38.10 1.500 | M 22x1-6g |
| 17 | E | 30.15 1.187 | 9.90 .390 | 3.20 .126 | 44.80 .126 | 37.00 1.457 | 41.30 1.626 | M 25x1-6g |
| 19 | F | 33.32 1.312 | 9.90 .390 | 3.20 .126 | 49.50 .126 | 41.00 1.614 | 46.00 1.811 | M 28x1-6g |
| 21 | G | 36.50 1.437 | 9.90 .390 | 3.20 .126 | 52.70 .126 | 46.00 1.811 | 49.20 1.937 | M 31x1-6g |
| 23 | H | 39.67 1.562 | 9.90 .390 | 3.20 .126 | 55.90 .126 | 50.00 1.969 | 52.40 2.063 | M 34x1-6g |
| 25 | J | 42.85 1.687 | 9.90 .390 | 3.20 .126 | 59.00 .126 | 51.23 2.017 | 55.60 2.189 | M 37x1-6g |

8D Aluminum Series



Receptacle with straight spill contacts



| Shell size | | 9 | 11 | 13 | 15 | 17 | 19 | 21 | 23 | 25 |
|------------|---------|--------------|---------------|---------------|---------------|---------------|---------------|---------------|---------------|---------------|
| A | # 22D | 0.70 .028 | 0.70 .028 | 0.70 .028 | 0.70 .028 | 0.70 .028 | 0.70 .028 | 0.70 .028 | 0.70 .028 | 0.70 .028 |
| | # 20 | 0.50 .020 | 0.50 .020 | 0.50 .020 | 0.50 .020 | 0.50 .020 | 0.50 .020 | 0.50 .020 | 0.50 .020 | 0.50 .020 |
| | # 16 | 1.15 .045 | 1.15 .045 | 1.15 .045 | 1.15 .045 | 1.15 .045 | 1.15 .045 | 1.15 .045 | 1.15 .045 | 1.15 .045 |
| L2CM | #22D | min | 10.52 .414 | 10.52 .414 | 10.34 .407 | 10.34 .407 | 10.34 .407 | 10.34 .407 | 10.34 .407 | 10.34 .407 |
| | | Max | 11.46 .451 | 11.46 .451 | 11.28 .444 | 11.28 .444 | 11.28 .444 | 11.28 .444 | 11.28 .444 | 11.28 .444 |
| L2CF | #22D | min | 10.19 .401 | 10.19 .401 | 10.01 .394 | 10.01 .394 | 10.01 .394 | 10.01 .394 | 10.01 .394 | 10.01 .394 |
| | | Max | 11.46 .451 | 11.46 .451 | 11.28 .444 | 11.28 .444 | 11.28 .444 | 11.28 .444 | 11.28 .444 | 11.28 .444 |
| L2CM | #20 | min | 10.69 .421 | 10.69 .421 | 10.51 .414 | 10.51 .414 | 10.51 .414 | 10.51 .414 | 10.51 .414 | 10.51 .414 |
| | | Max | 11.63 .458 | 11.63 .458 | 11.45 .451 | 11.45 .451 | 11.45 .451 | 11.45 .451 | 11.45 .451 | 11.45 .451 |
| L2CF | #20 | min | 10.69 .421 | 10.69 .421 | 10.51 .414 | 10.51 .414 | 10.51 .414 | 10.51 .414 | 10.51 .414 | 10.51 .414 |
| | | Max | 11.63 .458 | 11.63 .458 | 11.45 .451 | 11.45 .451 | 11.45 .451 | 11.45 .451 | 11.45 .451 | 11.45 .451 |
| L2CM | #16 | min | 10.69 .421 | 10.69 .421 | 10.51 .414 | 10.51 .414 | 10.51 .414 | 10.51 .414 | 10.51 .414 | 10.51 .414 |
| | | Max | 11.63 .458 | 11.63 .458 | 11.45 .451 | 11.45 .451 | 11.45 .451 | 11.45 .451 | 11.45 .451 | 11.45 .451 |
| L2CF | #16 | min | 10.69 .421 | 10.69 .421 | 10.51 .414 | 10.51 .414 | 10.51 .414 | 10.51 .414 | 10.51 .414 | 10.51 .414 |
| | | Max | 11.63 .458 | 11.63 .458 | 11.45 .451 | 11.45 .451 | 11.45 .451 | 11.45 .451 | 11.45 .451 | 11.45 .451 |
| L3 | PL #22D | 8.50 .335 | 8.50 .335 | 8.50 .335 | 8.50 .335 | 8.50 .335 | 8.50 .335 | 8.50 .335 | 8.50 .335 | 8.50 .335 |
| | PC #22D | 4.00 .157 | 4.00 .157 | 4.00 .157 | 4.00 .157 | 4.00 .157 | 4.00 .157 | 4.00 .157 | 4.00 .157 | 4.00 .157 |
| | PC #20 | 5.10 .201 | 5.10 .201 | 5.10 .201 | 5.10 .201 | 5.10 .201 | 5.10 .201 | 5.10 .201 | 5.10 .201 | 5.10 .201 |
| | PC #16 | 5.10 .201 | 5.10 .201 | 5.10 .201 | 5.10 .201 | 5.10 .201 | 5.10 .201 | 5.10 .201 | 5.10 .201 | 5.10 .201 |
| L4CM | #22D | min | 9.48 .373 | 9.48 .373 | 9.48 .373 | 9.48 .373 | 9.48 .373 | 9.48 .373 | 9.59 .421 | 9.59 .421 |
| | | Max | 10.58 .417 | 10.58 .417 | 10.58 .417 | 10.58 .417 | 10.58 .417 | 10.58 .417 | 10.69 .421 | 10.69 .421 |
| L4CF | #22D | min | 9.15 .360 | 9.15 .360 | 9.15 .360 | 9.15 .360 | 9.15 .360 | 9.15 .360 | 9.26 .365 | 9.26 .365 |
| | | Max | 10.58 .417 | 10.58 .417 | 10.58 .417 | 10.58 .417 | 10.58 .417 | 10.58 .417 | 10.69 .421 | 10.69 .421 |
| L4CM | #20 | min | 9.65 .380 | 9.65 .380 | 9.65 .380 | 9.65 .380 | 9.65 .380 | 9.65 .380 | 9.76 .384 | 9.76 .384 |
| | | Max | 10.75 .423 | 10.75 .423 | 10.75 .423 | 10.75 .423 | 10.75 .423 | 10.75 .423 | 10.86 .428 | 10.86 .428 |
| L4CF | #20 | min | 9.65 .380 | 9.65 .380 | 9.65 .380 | 9.65 .380 | 9.65 .380 | 9.65 .380 | 9.76 .384 | 9.76 .384 |
| | | Max | 10.75 .423 | 10.75 .423 | 10.75 .423 | 10.75 .423 | 10.75 .423 | 10.75 .423 | 10.86 .428 | 10.86 .428 |
| L4CM | #16 | min | 9.65 .380 | 9.65 .380 | 9.65 .380 | 9.65 .380 | 9.65 .380 | 9.65 .380 | 9.76 .384 | 9.76 .384 |
| | | Max | 10.75 .423 | 10.75 .423 | 10.75 .423 | 10.75 .423 | 10.75 .423 | 10.75 .423 | 10.86 .428 | 10.86 .428 |
| L4CF | #16 | min | 9.65 .380 | 9.65 .380 | 9.65 .380 | 9.65 .380 | 9.65 .380 | 9.65 .380 | 9.76 .384 | 9.76 .384 |
| | | Max | 10.75 .423 | 10.75 .423 | 10.75 .423 | 10.75 .423 | 10.75 .423 | 10.75 .423 | 10.86 .428 | 10.86 .428 |

CM : male contact

CF : female contact

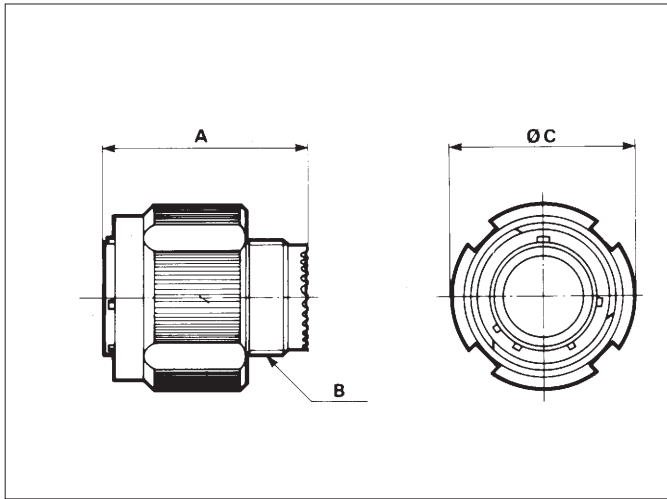
PL : long spill

PC : short spill

8D Aluminum Series

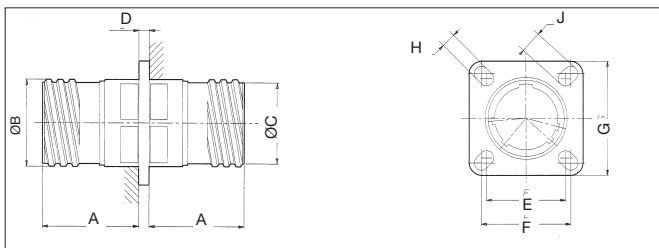


Plug type 5



| shell size | MS shell size | A Max | B Thread | C Max |
|------------|---------------|----------------|---------------|----------------|
| 9 | A | 31.00 1.220 | M 12 x 1 - 6g | 21.80 .858 |
| 11 | B | 31.00 1.220 | M 15 x 1 - 6g | 25.00 .984 |
| 13 | C | 31.00 1.220 | M 18 x 1 - 6g | 29.40 1.157 |
| 15 | D | 31.00 1.220 | M 22 x 1 - 6g | 32.50 1.280 |
| 17 | E | 31.00 1.220 | M 25 x 1 - 6g | 35.70 1.406 |
| 19 | F | 31.00 1.220 | M 28 x 1 - 6g | 38.50 1.516 |
| 21 | G | 31.00 1.220 | M 31 x 1 - 6g | 41.70 1.642 |
| 23 | H | 31.00 1.220 | M 34 x 1 - 6g | 44.90 1.768 |
| 25 | J | 31.00 1.220 | M 37 x 1 - 6g | 48.00 1.890 |

Through bulkhead receptacle (Special SHTP)



| shell size | A Max | B | C | D Max | E | F | G | H | J |
|------------|---------------|----------------|----------------|--------------|----------------|----------------|----------------|--------------|--------------|
| 9 | 20.90 .823 | 15.72 .619 | 14.43 .568 | 2.26 .089 | 15.09 .594 | 18.26 .719 | 23.80 .937 | 3.25 .128 | 5.49 .216 |
| 11 | 20.90 .823 | 18.90 .744 | 17.60 .693 | 2.26 .089 | 18.26 .719 | 20.62 .812 | 26.20 1.031 | 3.25 .128 | 4.93 .194 |
| 13 | 20.90 .823 | 22.07 .869 | 20.78 .818 | 2.26 .089 | 20.62 .812 | 23.01 .906 | 28.60 1.126 | 3.25 .128 | 4.93 .194 |
| 15 | 20.90 .823 | 25.25 .994 | 23.95 .943 | 2.26 .089 | 23.01 .906 | 24.61 .969 | 31.00 1.220 | 3.25 .128 | 4.39 .173 |
| 17 | 20.90 .823 | 30.00 1.181 | 28.35 1.116 | 2.26 .089 | 24.61 .969 | 26.97 1.062 | 33.30 1.311 | 3.25 .128 | 4.93 .194 |
| 19 | 20.90 .823 | 31.57 1.243 | 29.95 1.179 | 2.26 .089 | 26.97 1.062 | 29.36 1.156 | 36.50 1.437 | 3.25 .128 | 4.93 .194 |
| 21 | 20.10 .791 | 34.75 1.368 | 33.12 1.304 | 2.97 .177 | 29.36 1.156 | 31.75 1.250 | 39.70 1.563 | 3.25 .128 | 4.93 .194 |
| 23 | 20.10 .791 | 37.92 1.193 | 36.30 1.429 | 2.97 .117 | 31.75 1.250 | 34.93 1.375 | 42.90 1.689 | 3.91 .154 | 6.15 .242 |
| 25 | 20.10 .791 | 41.10 1.678 | 39.47 1.554 | 2.97 .117 | 34.93 1.375 | 38.10 1.500 | 46.00 1.811 | 3.91 .154 | 6.15 .242 |

Part number

basic series **SN1843-13 W •• PS N**

shell size 09-11-13-15-17-19-21-23-25

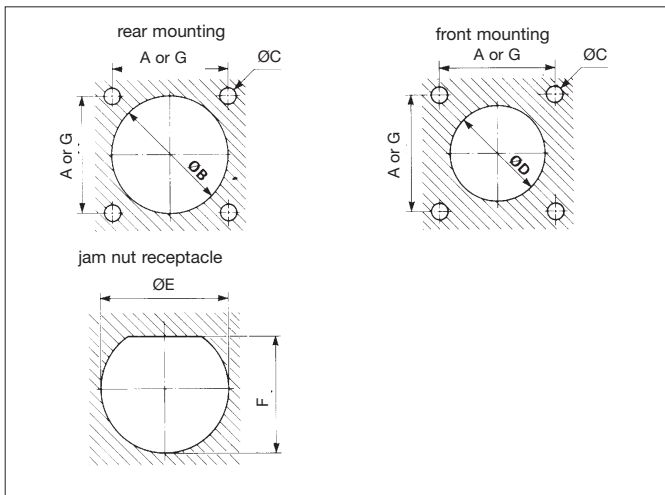
plating W - olive green cadmium

contact layout please consult us

contact type male/female contact

polarization

Panel cut-out



| shell size | 9 A | 11 B | 13 C | 15 D | 17 E | 19 F | 21 G | 23 H | 25 J |
|------------|---------------|---------------|----------------|----------------|----------------|----------------|----------------|----------------|----------------|
| A | 18.26 .719 | 20.62 .812 | 23.01 .906 | 24.61 .969 | 26.97 1.062 | 29.36 1.156 | 31.75 1.250 | 34.93 1.375 | 38.10 1.500 |
| G | 15.09 .594 | 18.26 .719 | 20.62 .812 | 23.01 .906 | 24.61 .969 | 26.97 1.062 | 29.36 1.156 | 31.75 1.250 | 34.94 1.376 |
| B min | 16.66 .656 | 20.22 .796 | 23.42 .922 | 26.59 1.047 | 30.96 1.219 | 32.94 1.297 | 36.12 1.422 | 39.29 1.547 | 42.47 1.672 |
| C | 3.25 .128 | 3.25 .128 | 3.25 .128 | 3.25 .128 | 3.25 .128 | 3.25 .128 | 3.25 .128 | 3.91 .154 | 3.91 .154 |
| D min | 13.11 .516 | 15.88 .625 | 19.05 .750 | 23.01 .906 | 25.81 1.016 | 28.98 1.141 | 32.16 1.266 | 34.93 1.375 | 37.69 1.484 |
| E | 17.78 .700 | 20.96 .825 | 25.65 1.010 | 28.83 1.135 | 32.01 1.260 | 35.18 1.385 | 38.35 1.510 | 41.53 1.635 | 44.70 1.760 |
| F | 17.02 .670 | 19.59 .771 | 24.26 .955 | 27.56 1.085 | 30.73 1.210 | 33.91 1.335 | 37.08 1.460 | 40.26 1.585 | 43.43 1.710 |

Maxi thickness of panel mounting for square flange receptacle - type 0
 - front mounting : 3.2 mm Max.
 - rear mounting : 2.5 mm Max.

Компания «Океан Электроники» предлагает заключение долгосрочных отношений при поставках импортных электронных компонентов на взаимовыгодных условиях!

Наши преимущества:

- Поставка оригинальных импортных электронных компонентов напрямую с производств Америки, Европы и Азии, а так же с крупнейших складов мира;
- Широкая линейка поставок активных и пассивных импортных электронных компонентов (более 30 млн. наименований);
- Поставка сложных, дефицитных, либо снятых с производства позиций;
- Оперативные сроки поставки под заказ (от 5 рабочих дней);
- Экспресс доставка в любую точку России;
- Помощь Конструкторского Отдела и консультации квалифицированных инженеров;
- Техническая поддержка проекта, помощь в подборе аналогов, поставка прототипов;
- Поставка электронных компонентов под контролем ВП;
- Система менеджмента качества сертифицирована по Международному стандарту ISO 9001;
- При необходимости вся продукция военного и аэрокосмического назначения проходит испытания и сертификацию в лаборатории (по согласованию с заказчиком);
- Поставка специализированных компонентов военного и аэрокосмического уровня качества (Xilinx, Altera, Analog Devices, Intersil, Interpoint, Microsemi, Actel, Aeroflex, Peregrine, VPT, Syfer, Eurofarad, Texas Instruments, MS Kennedy, Miteq, Cobham, E2V, MA-COM, Hittite, Mini-Circuits, General Dynamics и др.);

Компания «Океан Электроники» является официальным дистрибьютором и эксклюзивным представителем в России одного из крупнейших производителей разъемов военного и аэрокосмического назначения «JONHON», а так же официальным дистрибьютором и эксклюзивным представителем в России производителя высокотехнологичных и надежных решений для передачи СВЧ сигналов «FORSTAR».



JONHON

«JONHON» (основан в 1970 г.)

Разъемы специального, военного и аэрокосмического назначения:

(Применяются в военной, авиационной, аэрокосмической, морской, железнодорожной, горно- и нефтедобывающей отраслях промышленности)

«FORSTAR» (основан в 1998 г.)

ВЧ соединители, коаксиальные кабели, кабельные сборки и микроволновые компоненты:

(Применяются в телекоммуникациях гражданского и специального назначения, в средствах связи, РЛС, а так же военной, авиационной и аэрокосмической отраслях промышленности).



Телефон: 8 (812) 309-75-97 (многоканальный)

Факс: 8 (812) 320-03-32

Электронная почта: ocean@oceanchips.ru

Web: <http://oceanchips.ru/>

Адрес: 198099, г. Санкт-Петербург, ул. Калинина, д. 2, корп. 4, лит. А