

# 8LT Series



## Applications

High density connectors for all military and aeronautical purposes.

## Standards

MIL-C 38999 Series I - QPL approved  
NFC 93422 HE 308  
DTAT-C 5935 X 0005 (HE 308 standard)  
GAM/T1 list



## Description

- High density connector from 1 to 128 contacts
- Sizes 22D, 20, 16, 12, # 16 coax and # 8 triax
- Bayonet locking system
- 100% scoop proof

## Characteristics

### Mechanical

- Shell : aluminum alloy
- Plating :
  - olive green cadmium (B)
  - nickel (F)
- Insulator : thermoplastic
- Grommet and seal : silicone elastomer
- Contact : copper alloy
- Plating : gold over nickel
- Endurance : 500 cycles
- Shock : 300 g during 3 ms and MIL-S901 grade A
- Vibration : sine 10 to 2000 H 30 g random 100 to 300 Hz - 5 (g<sup>2</sup>/Hz)
- Contact retention : (mini force in N)
  - size 22 D : 45 N    size 20 : 67 N
  - size 16 : 110 N    size 12 : 110 N
  - size 8 : 110 N

### Electrical

#### Test voltage (Vrms)

| Service | sea level | at 21000 m |
|---------|-----------|------------|
| M       | 1300      | 800        |
| I       | 1800      | 1000       |
| II      | 2300      | 1000       |

- Contact resistance :
  - resistance of wire included in measurement :
  - size 22D : 14.6 mΩ    size 20 : 7.3 mΩ
  - size 16 : 3.8 mΩ    size 12 : 1.7 mΩ
- Insulation resistance : ≥ 5000 MΩ (at 500 Vdc)
- Contact rating :
  - size 22D : 5 A    size 20 : 7.5 A
  - size 16 : 13 A    size 12 : 23 A
- Shell continuity :
  - olive green plating : 2.5 mΩ
  - nickel plating : 1 mΩ
- Shielding : - 90 dB to 100 MHz  
- 50 dB to 10000 MHz
- Triaxial contact : # 8
  - bandwidth : 0 - 20 MHz
  - voltage rating : 500 Vac Max.  
125 Vac at 21000 m
  - voltage drop :  
inner and middle contact ≤ 55 mV under 1A  
outer contact ≤ 75 mV under 12A

### Climatic

- Temperature range :
  - cadmium plating (B) : -65°C +175°C
  - nickel plating (F) : -65°C +200°C
- Sealing : mated connectors
  - differential pressure 2 bars
  - leakage ≤ 16 cm<sup>3</sup>/hr
- Salt spray to :
  - MIL STD 1344 method 1001
  - 500 hours (version B)
  - 48 hours (version F)
  - NFC 93422
  - 48 hours (version F)
- Damp heat :
  - MIL-C 38999 : 10 cycles 24 hrs
  - NFC 93422 : 56 days

### Resistance to fluids

To MIL-C 38999 :

- MIL-L 7808    • MIL-L 23699
- MIL-H 5606    • MIL-A 8243
- MIL-C 25769    • MIL-T 5624 (JP5)
- hydraulic fluids    • solvents

To NFC 93422 :

F46 - F54 - 0/180 - H515 - H542 - XH45

## Connectors ordering information

### FCI Souriau part numbers

| basic series          | 8LT  | 0 | - | 13 | B | 35 | P | N |
|-----------------------|--|---|---|----|---|----|---|---|
| <b>shell type</b>     | <ul style="list-style-type: none"> <li>0 - square flange receptacle</li> <li>3 - square flange receptacle (rear mounting)</li> <li>2 - square flange receptacle not accepting backshell</li> <li>7 - jam nut receptacle</li> <li>1 - cable connecting receptacle</li> <li>5 - plug with RFI shielding</li> </ul>   |   |   |    |   |    |   |   |
| <b>designator</b>     | <ul style="list-style-type: none"> <li>— - connectors with standard crimp contacts</li> <li>L - receptacle with long spill (male and female # 22D)</li> <li>C - receptacle with short spill (male and female # 22D, # 20, # 16)</li> <li>T - receptacle with male contacts size 20 for wire wrap (2 wraps)</li> <li>W - receptacle with male contacts size 22 for wire wrap (3 wraps)</li> </ul> |   |   |    |   |    |   |   |
| <b>shell size</b>     | 09-11-13-15-17-19-21-23-25   |   |   |    |   |    |   |   |
| <b>plating</b>        | <ul style="list-style-type: none"> <li>F - nickel</li> <li>B - olive green cadmium (MIL-C 38999 - HE 308)</li> </ul>   |   |   |    |   |    |   |   |
| <b>contact layout</b> | - see table p 120  |   |   |    |   |    |   |   |
| <b>contact type</b>   | <ul style="list-style-type: none"> <li>P - male    S - female</li> <li>A - male connector supplied less contact or with specific contacts</li> <li>B - female connector supplied less contact or with specific contacts</li> </ul>   |   |   |    |   |    |   |   |
| <b>polarization</b>   | <ul style="list-style-type: none"> <li>N - normal</li> <li>A-B-C-D - see table p 77</li> </ul>   |   |   |    |   |    |   |   |

Note : connectors supplied with standard contacts

# 8LT Series



## MIL-C 38999 part numbers

|                       |  |              |  |           |            |           |          |          |
|-----------------------|--|--------------|--|-----------|------------|-----------|----------|----------|
| <b>basic series</b>   | <b>MS</b>  | <b>27466</b> | <b>T</b>   | <b>13</b> | <b>B</b>   | <b>35</b> | <b>P</b> | <b>•</b> |
| <b>shell type</b>     | 27466 - square flange receptacle (front mounting)<br>27656 - square flange receptacle (rear mounting)<br>27468 - jam nut receptacle<br>27467 - plug with RFI shielding |              |  |           |            |           |          |          |
| <b>class</b>          | T - with thread for backshell, supplied less backshell   |              |  |           |            |           |          |          |
| <b>shell size</b>     | 09-11-13-15-17-19-21-23-25   |              |  |           |            |           |          |          |
| <b>plating</b>        | B - olive green cadmium  |              |  |           | F - nickel |           |          |          |
| <b>contact layout</b> | - see table p 120  |              |  |           |            |           |          |          |
| <b>contact type</b>   | P - male   |              | A - male connector supplied less contact or with specific contacts   |           |            |           |          |          |
|                       | S - female   |              | B - female connector supplied less contact or with specific contacts |           |            |           |          |          |
| <b>polarization</b>   | N - Normal (not included in part number)<br>A-B-C-D - see table p 77   |              |  |           |            |           |          |          |

Note : connectors supplied with MIL-C contacts

## HE 308 part numbers

|                                  |  |          |           |                          |          |          |          |          |          |
|----------------------------------|--|----------|-----------|--------------------------|----------|----------|----------|----------|----------|
| <b>basic series</b>              | <b>HE308 - 00</b>  | <b>T</b> | <b>13</b> | <b>- 35</b>              | <b>P</b> | <b>N</b> | <b>7</b> | <b>M</b> | <b>•</b> |
| <b>shell type</b>                | 00 - square flange receptacle<br>07 - jam nut receptacle<br>06 - plug with RFI shielding<br>11 - jam nut receptacle with straight spill contacts |          |           |                          |          |          |          |          |          |
| <b>class</b>                     | T - sealed   |          |           |                          |          |          |          |          |          |
| <b>shell size</b>                | 09-11-13-15-17-19-21-23-25   |          |           |                          |          |          |          |          |          |
| <b>contact layout</b>            | - see table p 120  |          |           |                          |          |          |          |          |          |
| <b>contact type</b>              | P - male   |          |           | S - female               |          |          |          |          |          |
| <b>polarization</b>              | N - normal   |          |           | A-B-C-D - see table p 77 |          |          |          |          |          |
| <b>plating</b>                   | 6 - nickel   |          |           | 7 - olive green cadmium  |          |          |          |          |          |
| <b>contractual specification</b> |  |          |           |                          |          |          |          |          |          |
| <b>specification</b>             | - connector supplied with contact : (without specification)<br>L - connector supplied without contact  |          |           |                          |          |          |          |          |          |

## Backshells ordering information

## FCI Souriau part numbers

|                       |   |     |     |     |     |   |     |     |     |  |            |          |           |          |
|-----------------------|---|-----|-----|-----|-----|---|-----|-----|-----|--|------------|----------|-----------|----------|
| <b>basic series</b>   | <b>8LST</b>                                 |     |     |     |     |   |     |     |     |  | <b>103</b> | <b>G</b> | <b>01</b> | <b>•</b> |
| <b>shell size</b>     | 09  | 11  | 13  | 15  | 17  | 19  | 21  | 23  | 25  |  |            |          |           |          |
| <b>index number</b>   | 101   | 102 | 103 | 104 | 105 | 106   | 107 | 108 | 109 |  |            |          |           |          |
| <b>plating</b>        | B - olive green cadmium                     |     |     |     |     | F - nickel  |     |     |     |  |            |          |           |          |
| <b>backshell type</b> | 01 - backnut                                |     |     |     |     | 03 - elbow cable clamp                                    |     |     |     |  |            |          |           |          |
|                       | 02 - straight cable-clamp                   |     |     |     |     | 07 - backshell for screen termination and heatshrink boot |     |     |     |  |            |          |           |          |
| <b>suffix</b>         | for backshell type 07 only                  |     |     |     |     |   |     |     |     |  |            |          |           |          |
|                       | 1 - for receptacle type 0 (shells 09 to 25) |     |     |     |     | 2 - for receptacle type 7 (shells 09 to 25)               |     |     |     |  |            |          |           |          |
|                       | - for plug type 5 (shells 09 to 23)         |     |     |     |     | - for plug type 5 (shell 25 only)                         |     |     |     |  |            |          |           |          |

## HE 308 part numbers

|                                  |   |  |  |   |           |          |          |          |
|----------------------------------|---|--|--|---|-----------|----------|----------|----------|
| <b>basic series</b>              | <b>HE 308 - 13</b>  |  |  |   | <b>13</b> | <b>1</b> | <b>7</b> | <b>M</b> |
| <b>backshell type</b>            | 13 - backshell for screen termination and heatshrink boot |  |  |   |           |          |          |          |
| <b>shell size</b>                | 09-11-13-15-17-19-21-23-25                                |  |  |   |           |          |          |          |
| <b>designator</b>                | 1 - for receptacle type 0 (shells 09 to 25)               |  |  | 2 - for receptacle type 7 (shells 09 to 25) |           |          |          |          |
|                                  | - for plug type 5 (shells 09 to 23)                       |  |  | - for plug type 5 (shell 25 only)           |           |          |          |          |
| <b>plating</b>                   | 6 - nickel  |  |  | 7 - olive green cadmium                     |           |          |          |          |
| <b>contractual specification</b> |   |  |  |   |           |          |          |          |

# 8LT Series



## Cross reference list : FCI Souriau part numbers, HE 308 and MIL-C 38999 standards

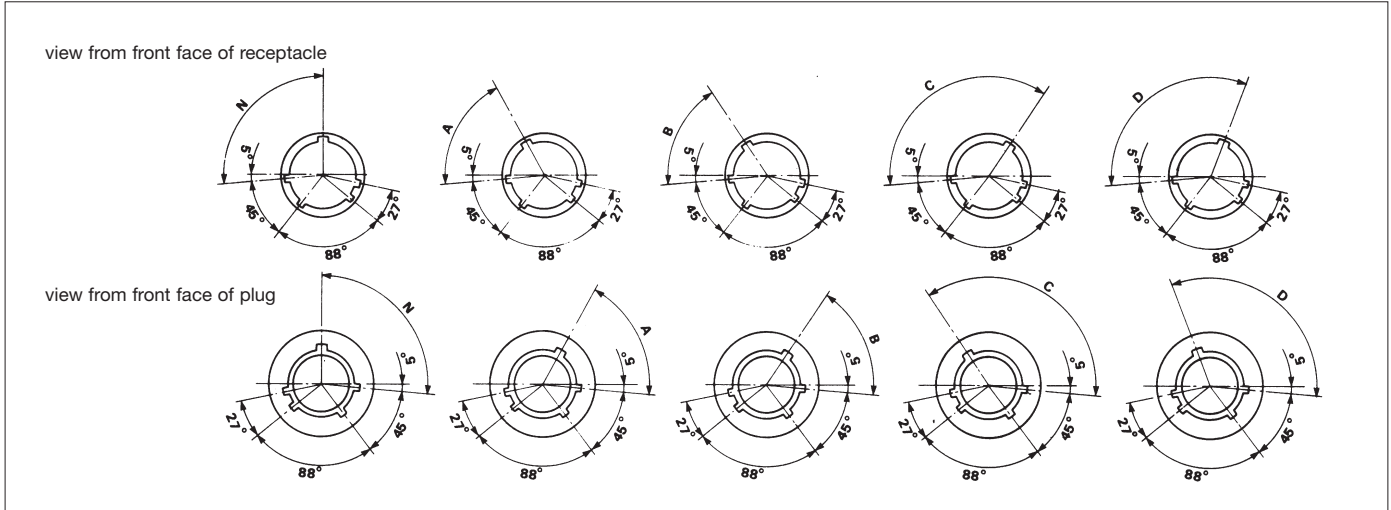
| FCI Souriau      | NFC 93422 / HE 308    | MIL-C 38999 Series I | Designation  |
|------------------|-----------------------|----------------------|--|
| 8LT1 - ●● B ●● □ | _____                 | _____                | cable connecting receptacle                              |
| 8LT0 - ●● B ●● □ | HE308-00T ●● - ●● □ 7 | MS27466T ●● B ●● □   | square flange receptacle                                 |
| 8LT3 - ●● B ●● □ | _____                 | MS27656T ●● B ●● □   | square flange receptacle (rear mounting)                 |
| 8LT7 - ●● B ●● □ | HE308-07T ●● - ●● □ 7 | MS27468T ●● B ●● □   | jam nut receptacle                                       |
| 8LT0 - ●● F ●● □ | HE308-00T ●● - ●● □ 6 | MS27466T ●● F ●● □   | square flange receptacle                                 |
| 8LT3 - ●● F ●● □ | _____                 | MS27656T ●● F ●● □   | square flange receptacle (rear mounting)                 |
| 8LT7 - ●● F ●● □ | HE308-07T ●● - ●● □ 6 | MS27468T ●● F ●● □   | jam nut receptacle                                       |
| 8LT1 - ●● F ●● □ | _____                 | _____                | cable connecting receptacle                              |
| 8LT2 - ●● B ●● □ | _____                 | _____                | square flange receptacle not accepting backshell         |
| 8LT2 - ●● F ●● □ | _____                 | _____                | square flange receptacle not accepting backshell         |
| 8LT5 - ●● B ●● □ | HE308-06T ●● - ●● □ 7 | MS2746T ●● B ●● □    | plug with RFI shielding                                  |
| 8LT5 - ●● F ●● □ | HE308-06T ●● - ●● □ 6 | MS2746T ●● F ●● □    | plug with RFI shielding                                  |
| 8LST ●● G01      | _____                 | _____                | backnut  |
| 8LST ●● G02      | HE308-11 ●● 27        | _____                | straight cable clamp                                     |
| 8LST ●● G03      | HE308-12 ●● 27        | _____                | elbow cable clamp  |
| 8LST ●● B071     | HE308-13 ●● 17        | _____                | backshell for screen termination and heatshrink sleeving |
| 8LST ●● B072     | HE308-13 ●● 27        | _____                | backshell for screen termination and heatshrink sleeving |
| 8LST ●● B01      | _____                 | M85049/27-●●W        | backnut  |
| 8LST ●● B02      | _____                 | _____                | straight cable clamp                                     |
| 8LST ●● B03      | _____                 | _____                | elbow cable clamp  |
| 8LST ●● F01      | _____                 | M85049/27-●●N        | backnut  |
| 8LST ●● F02      | HE308-11 ●● 26        | _____                | straight cable clamp                                     |
| 8LST ●● F03      | HE308-12 ●● 26        | _____                | elbow cable clamp  |
| 8LST ●● F071     | HE308-13 ●● 16        | _____                | backshell for screen termination and heatshrink sleeving |
| 8LST ●● F072     | HE308-13 ●● 26        | _____                | backshell for screen termination and heatshrink sleeving |
| 8LTE04G ●●       | HE308-B00 ●● 7        | _____                | cap for square flange receptacle                         |
| 8LTE06G ●●       | HE308-B07 ●● 7        | _____                | cap for jam nut receptacle                               |
| 8LTE04F ●●       | HE308-B00 ●● 6        | _____                | cap for square flange receptacle                         |
| 8LTE06F ●●       | HE308-B07 ●● 6        | _____                | cap for jam nut receptacle                               |
| 8LTF05G ●●       | HE308-B16 ●● 7        | _____                | cap for plug   |
| 8LTF07G ●●       | HE308-B06 ●● 7        | _____                | cap for plug   |
| 8LTF05F ●●       | HE308-B16 ●● 6        | _____                | cap for plug   |
| 8LTF07F ●●       | HE308-B06 ●● 6        | _____                | cap for plug   |
| M39029/58-360    | _____                 | M39029/58-360        | male contact # 22D                                       |
| M39029/58-363    | _____                 | M39029/58-363        | male contact # 20  |
| M39029/58-364    | _____                 | M39029/58-364        | male contact # 16  |
| M39029/58-365    | _____                 | M39029/58-365        | male contact # 12  |
| M39029/56-348    | _____                 | M39029/56-348        | female contact # 22D                                     |
| M39029/56-351    | _____                 | M39029/56-351        | female contact # 20                                      |
| M39029/56-352    | _____                 | M39029/56-352        | female contact # 16                                      |
| M39029/56-353    | _____                 | M39029/56-353        | female contact # 12                                      |
| 8599-0988        | _____                 | M39029/90-529        | male triaxial contact # 8                                |
| 8599-0998        | _____                 | M39029/91-530        | female triaxial contact # 8                              |
| 8660-212         | _____                 | MS27488-22           | filler plug # 22D  |
| 8522-389A        | _____                 | MS27488-20           | filler plug # 20   |
| 8522-390A        | _____                 | MS27488-16           | filler plug # 16   |
| 8522-391A        | _____                 | MS27488-12           | filler plug # 12   |
| 8599-0308        | _____                 | _____                | dummy contact # 8  |
| 8599-0022        | _____                 | M81969/14-01         | plastic tool for contact # 22D                           |
| 8522-20          | _____                 | M81969/14-10         | plastic tool for contact # 20                            |
| 8522-16          | _____                 | M81869/14-03         | plastic tool for contact # 16                            |
| 8522-12          | _____                 | M81969/14-04         | plastic tool for contact # 12                            |
| 8660-197         | _____                 | _____                | tool for contact # 8                                     |

# 8LT Series



## Polarization

Polarization is determined by the master keyway position. The secondary keyway positions remain fixed.



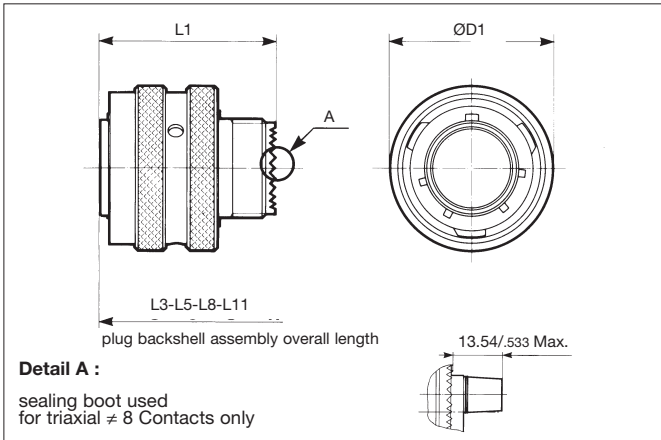
| Shell size | Contacts layout | Service |   |    | Number of contacts |      |      |      |     | Angles in degrees |    |    |     |     |
|------------|-----------------|---------|---|----|--------------------|------|------|------|-----|-------------------|----|----|-----|-----|
|            |                 | M       | I | II | # 22D              | # 20 | # 16 | # 12 | # 8 | N                 | A  | B  | C   | D   |
| 09         | 09-35           | X       |   |    | 6                  |      |      |      |     | 95                | 77 | -  | -   | 113 |
|            | 09-98           |         | X |    |                    | 3    |      |      |     | 95                | 77 | -  | -   | 113 |
| 11         | 11-35           | X       |   |    | 13                 |      |      |      |     | 95                | 81 | 67 | 123 | 109 |
|            | 11-98           |         | X |    |                    | 6    |      |      |     | 95                | 81 | 67 | 123 | 109 |
|            | 11-01           |         |   | X  |                    |      |      | 1    |     | 95                | 81 | 67 | 123 | 109 |
|            | 11-05           |         | X |    |                    | 5    |      |      |     | 95                | 81 | 67 | 123 | 109 |
|            | 11-04           |         | X |    |                    | 4    |      |      |     | 95                | 81 | 67 | 123 | 109 |
| 13         | 13-35           | X       |   |    | 22                 |      |      |      |     | 95                | 75 | 63 | 127 | 115 |
|            | 13-98           |         | X |    |                    | 10   |      |      |     | 95                | 75 | 63 | 127 | 115 |
|            | 13-08           |         | X |    |                    | 8    |      |      |     | 95                | 75 | 63 | 127 | 115 |
| 15         | 15-35           | X       |   |    | 37                 |      |      |      |     | 95                | 74 | 61 | 129 | 116 |
|            | 15-19           |         | X |    |                    | 19   |      |      |     | 95                | 74 | 61 | 129 | 116 |
|            | 15-05           |         |   | X  |                    |      | 5    |      |     | 95                | 74 | 61 | 129 | 116 |
|            | 15-97           |         | X |    |                    | 8    | 4    |      |     | 95                | 74 | 61 | 129 | 116 |
|            | 15-18           |         | X |    |                    | 18   |      |      |     | 95                | 74 | 61 | 129 | 116 |
| 17         | 17-35           | X       |   |    | 55                 |      |      |      |     | 95                | 77 | 65 | 125 | 113 |
|            | 17-26           |         | X |    |                    | 26   |      |      |     | 95                | 77 | 65 | 125 | 113 |
|            | 17-06           |         | X |    |                    |      |      | 6    |     | 95                | 77 | 65 | 125 | 113 |
|            | 17-08           |         |   | X  |                    |      | 8    |      |     | 95                | 77 | 65 | 125 | 113 |
|            | 17-99           |         | X |    |                    | 21   | 2    |      |     | 95                | 77 | 65 | 125 | 113 |
|            | 17-75           |         | X |    |                    |      |      |      | 2   | 95                | 77 | 65 | 125 | 113 |
| 19         | 19-35           | X       |   |    | 66                 |      |      |      |     | 95                | 77 | 65 | 125 | 113 |
|            | 19-32           |         | X |    |                    | 32   |      |      |     | 95                | 77 | 65 | 125 | 113 |
|            | 19-11           |         |   | X  |                    |      | 11   |      |     | 95                | 77 | 65 | 125 | 113 |
| 21         | 21-35           | X       |   |    | 79                 |      |      |      |     | 95                | 77 | 65 | 125 | 113 |
|            | 21-41           |         | X |    |                    | 41   |      |      |     | 95                | 77 | 65 | 125 | 113 |
|            | 21-16           |         |   | X  |                    |      | 16   |      |     | 95                | 77 | 65 | 125 | 113 |
|            | 21-11           |         |   | X  |                    |      |      | 11   |     | 95                | 77 | 65 | 125 | 113 |
|            | 21-39           |         | X |    |                    | 37   | 2    |      |     | 95                | 77 | 65 | 125 | 113 |
|            | 21-75           |         |   |    |                    |      |      |      | 4   | 95                | 77 | 65 | 125 | 113 |
| 23         | 23-35           | X       |   |    | 100                |      |      |      |     | 95                | 80 | 69 | 121 | 110 |
|            | 23-53           |         | X |    |                    | 53   |      |      |     | 95                | 80 | 69 | 121 | 110 |
|            | 23-21           |         |   | X  |                    |      | 21   |      |     | 95                | 80 | 69 | 121 | 110 |
| 25         | 25-35           | X       |   |    | 128                |      |      |      |     | 95                | 80 | 69 | 121 | 110 |
|            | 25-61           |         | X |    |                    | 61   |      |      |     | 95                | 80 | 69 | 121 | 110 |
|            | 25-46           |         | X |    |                    | 40   | 4    |      |     | 95                | 80 | 69 | 121 | 110 |
|            | 25-19           |         | X |    |                    |      |      | 19   |     | 95                | 80 | 69 | 121 | 110 |
|            | 25-29           |         | X |    |                    |      | 29   |      |     | 95                | 80 | 69 | 121 | 110 |
|            | 25-43           |         | X |    |                    | 23   | 20   |      |     | 95                | 80 | 69 | 121 | 110 |
|            | 25-24           |         | X |    |                    |      | 12   | 12   |     | 95                | 80 | 69 | 121 | 110 |

# 8LT Series



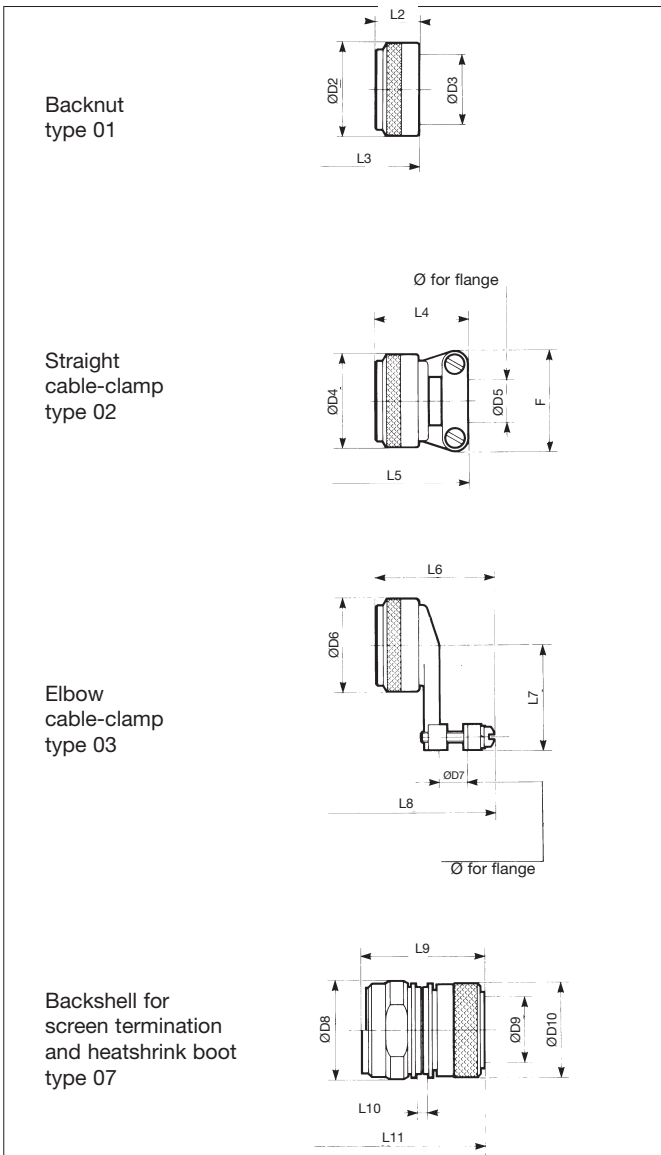
## Dimensions

### Plug type 5



| shell size |        | 09             | 11             | 13             | 15             | 17             | 19             | 21             | 23             | 25             |
|------------|--------|----------------|----------------|----------------|----------------|----------------|----------------|----------------|----------------|----------------|
| D 1        | Max    | 21.80<br>.858  | 25.00<br>.984  | 29.00<br>1.142 | 32.50<br>1.280 | 35.70<br>1.406 | 38.50<br>1.516 | 41.70<br>1.642 | 44.85<br>1.766 | 48.00<br>1.890 |
|            | L1     | 31.32<br>1.233 | 31.32<br>1.233 | 31.32<br>1.233 | 31.32<br>1.233 | 31.32<br>1.233 | 31.32<br>1.233 | 31.32<br>1.233 | 31.32<br>1.233 | 31.32<br>1.233 |
| D 2        | Max    | 15.67<br>.617  | 18.64<br>.734  | 21.79<br>.858  | 24.99<br>.984  | 28.24<br>1.112 | 30.94<br>1.218 | 34.16<br>1.345 | 37.29<br>1.468 | 40.46<br>1.593 |
|            | D 3    | 6.96<br>.274   | 10.46<br>.412  | 13.36<br>.526  | 16.53<br>.651  | 19.71<br>.776  | 22.40<br>.882  | 25.56<br>1.006 | 28.75<br>1.132 | 31.93<br>1.257 |
| L 2        | Max    | 11.30<br>.445  | 11.30<br>.445  | 11.30<br>.445  | 11.30<br>.445  | 11.30<br>.445  | 11.30<br>.445  | 11.30<br>.445  | 11.30<br>.445  | 11.30<br>.445  |
|            | L 3    | 36.66<br>1.443 | 36.66<br>1.443 | 36.66<br>1.443 | 36.66<br>1.443 | 36.66<br>1.443 | 36.66<br>1.443 | 36.66<br>1.443 | 36.66<br>1.443 | 36.66<br>1.443 |
| D 4        | Max    | 15.67<br>.617  | 18.64<br>.734  | 21.79<br>.858  | 24.99<br>.984  | 28.24<br>1.112 | 30.94<br>1.218 | 34.16<br>1.345 | 37.29<br>1.468 | 40.46<br>1.593 |
|            | D 5    | 1.40<br>.055   | 1.40<br>.055   | 2.40<br>.094   | 5.60<br>.220   | 5.60<br>.220   | 8.80<br>.346   | 11.90<br>.469  | 15.10<br>.594  | 15.10<br>.594  |
| D 5        | Min    | 1.40<br>.055   | 1.40<br>.055   | 2.40<br>.094   | 5.60<br>.220   | 5.60<br>.220   | 8.80<br>.346   | 11.90<br>.469  | 15.10<br>.594  | 15.10<br>.594  |
|            | Max    | 3.20<br>.126   | 4.80<br>.189   | 6.40<br>.252   | 9.50<br>.374   | 12.70<br>.500  | 15.90<br>.626  | 19.10<br>.752  | 22.20<br>.874  | 25.40<br>1.000 |
| F          | Max    | 21.03<br>.828  | 22.63<br>.891  | 25.81<br>1.016 | 28.98<br>1.141 | 30.56<br>1.203 | 37.31<br>1.469 | 37.31<br>1.469 | 42.06<br>1.656 | 44.45<br>1.750 |
|            | L 4    | 22.22<br>.875  | 22.22<br>.875  | 22.22<br>.875  | 28.57<br>1.125 | 28.57<br>1.125 | 28.57<br>1.125 | 28.57<br>1.125 | 31.75<br>1.250 | 31.75<br>1.250 |
| L 5        | Max    | 47.22<br>1.859 | 48.02<br>1.891 | 49.52<br>1.950 | 55.92<br>2.202 | 59.42<br>2.339 | 59.42<br>2.339 | 59.42<br>2.339 | 59.42<br>2.339 | 59.42<br>2.339 |
|            | D 6    | 15.67<br>.617  | 18.64<br>.734  | 21.79<br>.858  | 24.99<br>.984  | 28.24<br>1.112 | 30.94<br>1.218 | 34.16<br>1.345 | 37.29<br>1.468 | 40.46<br>1.593 |
| D 7        | Min    | 3.20<br>.126   | 4.00<br>.157   | 4.80<br>.189   | 5.50<br>.217   | 6.40<br>.252   | 7.90<br>.311   | 9.50<br>.374   | 10.30<br>.406  | 14.30<br>.563  |
|            | Max    | 6.40<br>.252   | 9.50<br>.374   | 11.10<br>.437  | 14.30<br>.563  | 15.90<br>.626  | 19.10<br>.752  | 22.20<br>.874  | 23.80<br>.937  | 25.40<br>1.000 |
| L 6        | Max    | 35.32<br>1.391 | 35.32<br>1.391 | 37.30<br>1.469 | 41.67<br>1.641 | 46.04<br>1.813 | 46.45<br>1.829 | 48.43<br>1.907 | 51.98<br>2.046 | 54.78<br>2.157 |
|            | L 7    | 25.40<br>1.000 | 26.19<br>1.031 | 27.79<br>1.094 | 30.96<br>1.219 | 32.54<br>1.281 | 34.14<br>1.344 | 34.93<br>1.375 | 36.53<br>1.438 | 43.66<br>1.719 |
| L 8        | Max    | 60.68<br>2.389 | 60.68<br>2.389 | 62.66<br>2.467 | 67.03<br>2.639 | 71.40<br>2.811 | 71.81<br>2.827 | 73.79<br>2.905 | 77.34<br>3.045 | 80.14<br>3.155 |
|            | D 8    | 20.20<br>.795  | 23.20<br>.913  | 26.20<br>1.031 | 29.20<br>1.150 | 32.20<br>1.268 | 35.20<br>1.386 | 39.20<br>1.543 | 42.20<br>1.661 | 45.20<br>1.780 |
| D 9        | Min    | 6.90<br>.272   | 9.60<br>.378   | 12.70<br>.500  | 14.80<br>.583  | 17.90<br>.705  | 19.90<br>.783  | 23.10<br>.909  | 26.20<br>1.031 | 28.80<br>1.134 |
|            | Max    | 7.00<br>.276   | 9.70<br>.382   | 12.80<br>.504  | 14.90<br>.587  | 18.00<br>.709  | 20.00<br>.787  | 23.20<br>.913  | 26.30<br>1.035 | 28.90<br>1.138 |
| D 10       | Max    | 16.00<br>.630  | 18.90<br>.744  | 22.10<br>.870  | 25.30<br>.996  | 28.50<br>1.122 | 31.50<br>1.240 | 34.70<br>1.366 | 37.90<br>1.492 | 41.00<br>1.614 |
|            | L 9    | 27.80<br>1.094 | 27.80<br>1.094 | 27.80<br>1.094 | 29.80<br>1.173 | 29.80<br>1.173 | 30.80<br>1.213 | 34.60<br>1.362 | 34.60<br>1.362 | -              |
| L 9        | type 1 | 27.80<br>1.094 | 27.80<br>1.094 | 27.80<br>1.094 | 29.80<br>1.173 | 29.80<br>1.173 | 30.80<br>1.213 | 34.60<br>1.362 | 34.60<br>1.362 | -              |
|            | type 2 | -              | -              | -              | -              | -              | -              | -              | -              | 33.50<br>1.319 |
| L 10       | Max    | 3.40<br>.134   | 3.40<br>.134   | 3.40<br>.134   | 3.40<br>.134   | 3.40<br>.134   | 3.40<br>.134   | 3.40<br>.134   | 3.40<br>.134   | 3.40<br>.134   |
|            | L 11   | 52.22<br>2.056 | 52.22<br>2.056 | 52.22<br>2.056 | 54.22<br>2.135 | 54.22<br>2.135 | 55.22<br>2.174 | 59.02<br>2.324 | 59.02<br>2.324 | 59.02<br>2.324 |

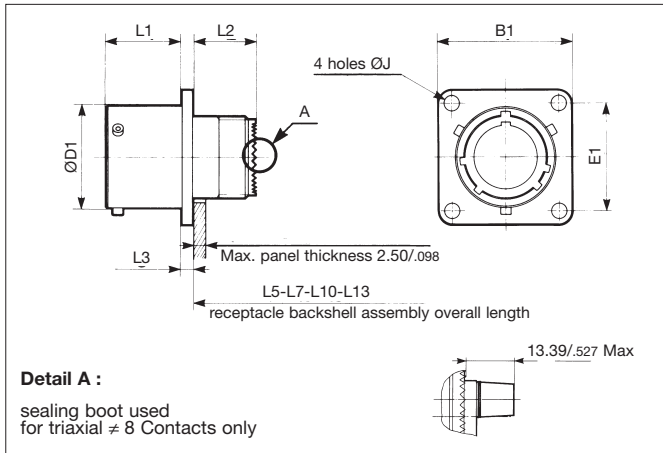
### Backshells



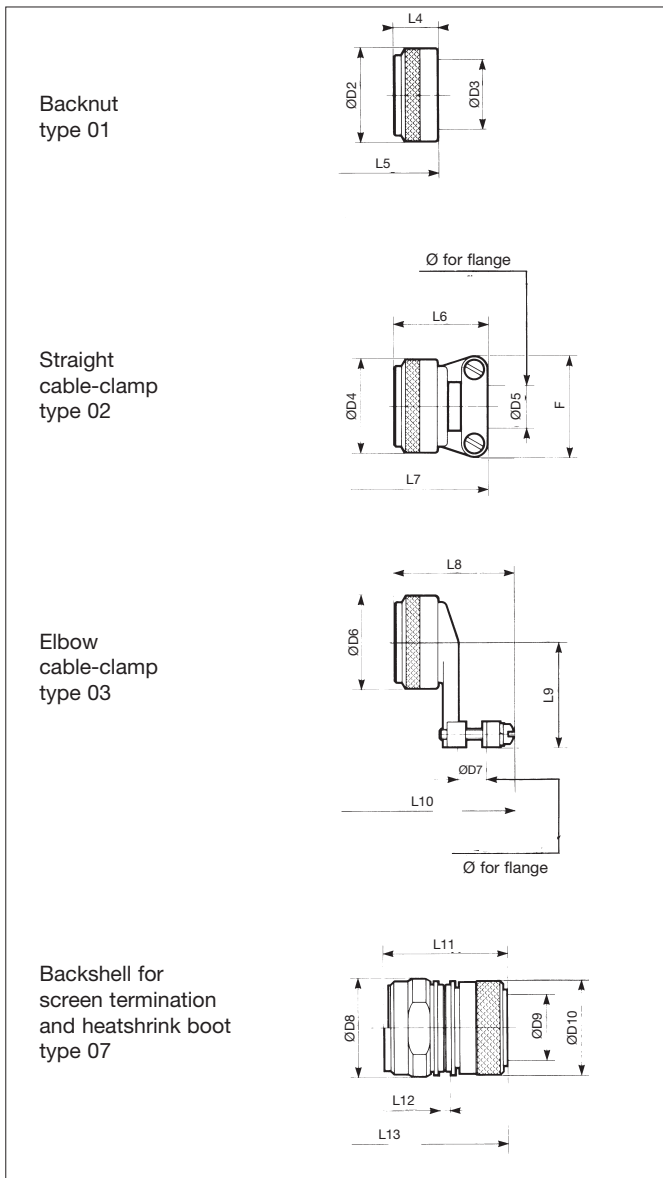
# 8LT Series



## Receptacle type 0



## Backshells

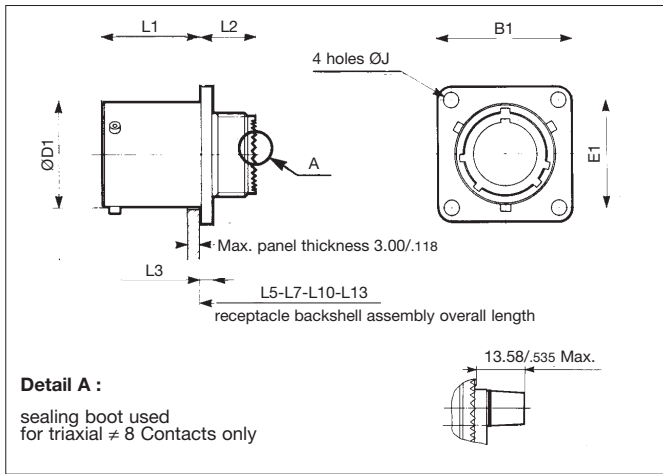


| shell size |     | 09             | 11             | 13             | 15             | 17             | 19             | 21             | 23             | 25             |
|------------|-----|----------------|----------------|----------------|----------------|----------------|----------------|----------------|----------------|----------------|
| B1         | Max | 24.25<br>.955  | 26.60<br>1.047 | 29.00<br>1.142 | 31.35<br>1.234 | 33.75<br>1.329 | 36.90<br>1.453 | 40.10<br>1.579 | 43.25<br>1.703 | 46.50<br>1.831 |
|            | E1  | 18.26<br>.719  | 20.62<br>.812  | 23.01<br>.906  | 24.61<br>.969  | 26.97<br>1.062 | 29.36<br>1.156 | 31.75<br>1.250 | 34.93<br>1.375 | 38.10<br>1.500 |
| D1         |     | 14.53<br>.572  | 17.78<br>.700  | 21.59<br>.850  | 24.77<br>.975  | 27.94<br>1.100 | 30.66<br>1.207 | 33.83<br>1.332 | 37.00<br>1.457 | 40.18<br>1.582 |
|            | J   | 3.25<br>.128   | 3.25<br>.128   | 3.25<br>.128   | 3.25<br>.128   | 3.25<br>.128   | 3.25<br>.128   | 3.25<br>.128   | 3.73<br>.147   | 3.73<br>.147   |
| L1         | Max | 16.05<br>.632  | 16.05<br>.632  | 16.05<br>.632  | 16.05<br>.632  | 16.05<br>.632  | 16.05<br>.632  | 15.29<br>.602  | 15.29<br>.602  | 15.29<br>.602  |
|            | L2  | 13.49<br>.531  | 13.49<br>.531  | 13.49<br>.531  | 13.49<br>.531  | 13.49<br>.531  | 13.49<br>.531  | 13.49<br>.531  | 13.49<br>.531  | 13.49<br>.531  |
| L3         | Max | 2.48<br>.098   | 2.48<br>.098   | 2.48<br>.098   | 2.48<br>.098   | 2.48<br>.098   | 2.48<br>.098   | 3.24<br>.128   | 3.24<br>.128   | 3.24<br>.128   |
|            | D2  | 15.67<br>.617  | 18.64<br>.734  | 21.79<br>.858  | 24.99<br>.984  | 28.24<br>1.112 | 30.94<br>1.218 | 34.16<br>1.345 | 37.29<br>1.468 | 40.46<br>1.593 |
| D3         | Max | 6.96<br>.274   | 10.46<br>.412  | 13.36<br>.526  | 16.53<br>.651  | 19.71<br>.776  | 22.40<br>.882  | 25.56<br>1.006 | 28.75<br>1.132 | 31.93<br>1.257 |
|            | L4  | 11.30<br>.445  | 11.30<br>.445  | 11.30<br>.445  | 11.30<br>.445  | 11.30<br>.445  | 11.30<br>.445  | 11.30<br>.445  | 11.30<br>.445  | 11.30<br>.445  |
| L5         | Max | 18.83<br>.741  | 18.83<br>.741  | 18.83<br>.741  | 18.83<br>.741  | 18.83<br>.741  | 18.83<br>.741  | 18.83<br>.741  | 18.83<br>.741  | 18.83<br>.741  |
|            | D4  | 15.67<br>.617  | 18.64<br>.734  | 21.79<br>.858  | 24.99<br>.984  | 28.24<br>1.112 | 30.94<br>1.218 | 34.16<br>1.345 | 37.29<br>1.468 | 40.46<br>1.593 |
| D5         | min | 1.40<br>.055   | 1.40<br>.055   | 2.40<br>.094   | 5.60<br>.220   | 5.60<br>.220   | 8.80<br>.346   | 11.90<br>.469  | 15.10<br>.594  | 15.10<br>.594  |
|            | Max | 3.20<br>.126   | 4.80<br>.189   | 6.40<br>.252   | 9.50<br>.374   | 12.70<br>.500  | 15.90<br>.626  | 19.10<br>.752  | 22.20<br>.878  | 25.40<br>1.000 |
| F          | Max | 21.03<br>.828  | 22.63<br>.891  | 25.81<br>1.016 | 28.98<br>1.141 | 30.56<br>1.203 | 37.31<br>1.469 | 37.31<br>1.469 | 42.06<br>1.656 | 44.45<br>1.750 |
|            | L6  | 22.22<br>.875  | 22.22<br>.875  | 22.22<br>.875  | 28.57<br>1.125 | 28.57<br>1.125 | 28.57<br>1.125 | 28.57<br>1.125 | 31.75<br>1.250 | 31.75<br>1.250 |
| L7         | Max | 29.39<br>1.157 | 30.19<br>1.189 | 31.69<br>1.248 | 38.09<br>1.500 | 41.59<br>1.637 | 41.59<br>1.637 | 41.59<br>1.637 | 41.59<br>1.637 | 41.59<br>1.637 |
|            | D6  | 15.67<br>.617  | 18.64<br>.734  | 21.79<br>.858  | 24.99<br>.984  | 28.24<br>1.112 | 30.94<br>1.218 | 34.16<br>1.345 | 37.29<br>1.468 | 40.46<br>1.593 |
| D7         | min | 3.20<br>.126   | 4.00<br>.157   | 4.80<br>.189   | 5.50<br>.217   | 6.40<br>.252   | 7.90<br>.311   | 9.50<br>.374   | 10.30<br>.406  | 14.30<br>.563  |
|            | Max | 6.40<br>.252   | 9.50<br>.374   | 11.10<br>.437  | 14.30<br>.563  | 15.90<br>.626  | 19.10<br>.752  | 22.20<br>.878  | 23.80<br>.937  | 25.40<br>1.000 |
| L8         | Max | 35.32<br>1.391 | 35.32<br>1.391 | 37.30<br>1.469 | 41.67<br>1.641 | 46.04<br>1.813 | 46.45<br>1.829 | 48.43<br>1.907 | 51.98<br>2.046 | 54.78<br>2.157 |
|            | L9  | 25.40<br>1.000 | 26.19<br>1.031 | 27.79<br>1.094 | 30.96<br>1.219 | 32.54<br>1.281 | 34.14<br>1.344 | 34.93<br>1.375 | 36.53<br>1.438 | 43.66<br>1.719 |
| L10        | Max | 42.85<br>1.687 | 42.85<br>1.687 | 44.83<br>1.765 | 51.00<br>2.008 | 53.57<br>2.109 | 53.98<br>2.125 | 55.96<br>2.203 | 59.51<br>2.343 | 62.31<br>2.453 |
|            | D8  | 20.20<br>.795  | 23.20<br>.913  | 26.20<br>1.031 | 29.20<br>1.150 | 32.20<br>1.268 | 35.20<br>1.386 | 39.20<br>1.543 | 42.20<br>1.661 | 45.20<br>1.780 |
| D9         | min | 6.90<br>.272   | 9.60<br>.378   | 12.70<br>.500  | 14.80<br>.583  | 17.90<br>.705  | 19.90<br>.783  | 23.10<br>.909  | 26.20<br>1.031 | 28.80<br>1.134 |
|            | Max | 7.00<br>.276   | 9.70<br>.382   | 12.80<br>.504  | 14.90<br>.587  | 18.00<br>.709  | 20.00<br>.787  | 23.20<br>.913  | 26.30<br>1.035 | 28.90<br>1.138 |
| D10        | Max | 16.00<br>.630  | 18.90<br>.744  | 22.10<br>.870  | 25.30<br>.996  | 28.50<br>1.122 | 31.50<br>1.240 | 34.70<br>1.366 | 37.90<br>1.492 | 41.00<br>1.614 |
|            | L11 | type 1         | 27.80<br>1.094 | 27.80<br>1.094 | 27.80<br>1.094 | 29.80<br>1.173 | 29.80<br>1.173 | 30.80<br>1.213 | 34.60<br>1.362 | 34.60<br>1.362 |
| type 2     |     | -              | -              | -              | -              | -              | -              | -              | -              | -              |
| L12        | Max | 3.40<br>.134   | 3.40<br>.134   | 3.40<br>.134   | 3.40<br>.134   | 3.40<br>.134   | 3.40<br>.134   | 3.40<br>.134   | 3.40<br>.134   | 3.40<br>.134   |
|            | L13 | 34.39<br>1.354 | 34.39<br>1.354 | 34.39<br>1.354 | 36.39<br>1.433 | 36.39<br>1.433 | 37.39<br>1.472 | 41.19<br>1.622 | 41.19<br>1.622 | 41.19<br>1.622 |

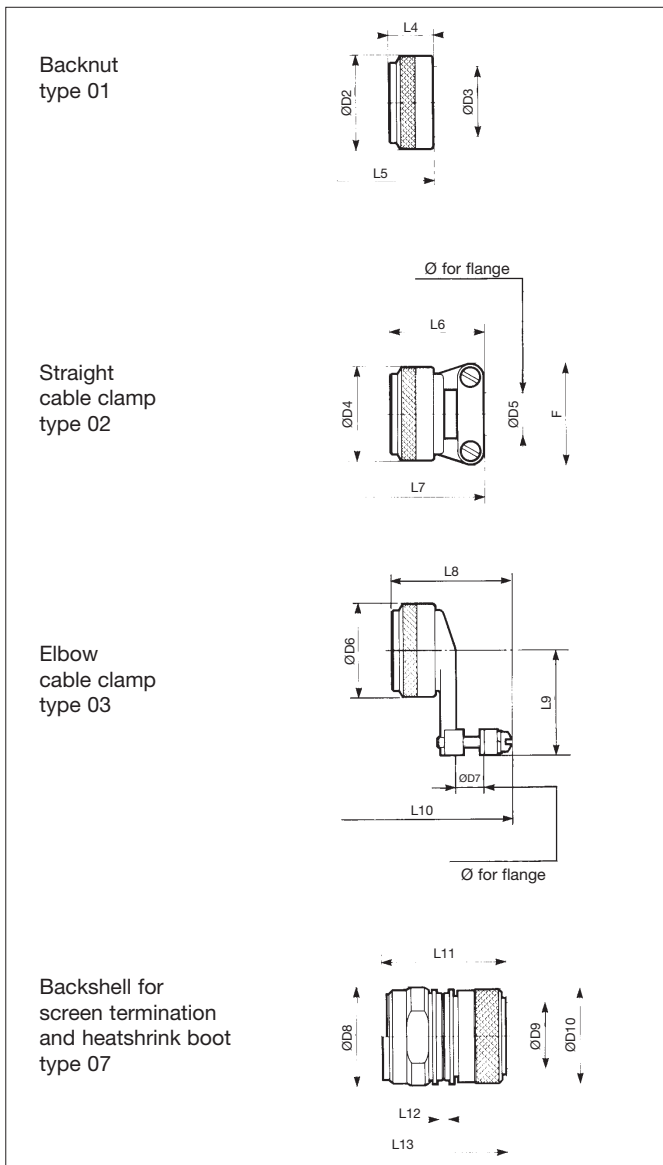
# 8LT Series



## Receptacle type 3



## Backshells

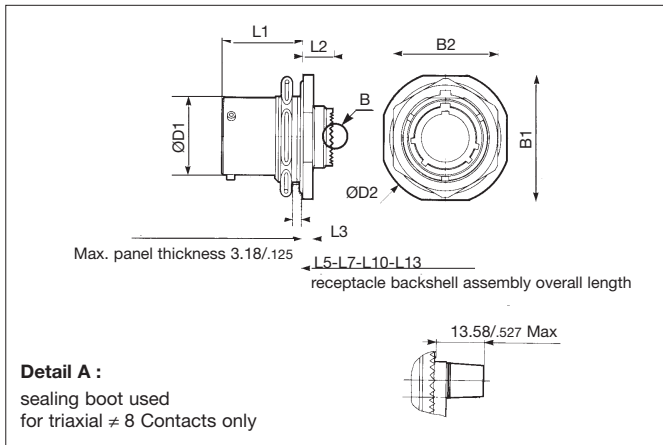


| shell size |     | 09             | 11             | 13             | 15             | 17             | 19             | 21             | 23             | 25             |
|------------|-----|----------------|----------------|----------------|----------------|----------------|----------------|----------------|----------------|----------------|
| B1         | Max | 24.25<br>.955  | 26.60<br>1.047 | 29.00<br>1.142 | 31.35<br>1.234 | 33.75<br>1.329 | 36.90<br>1.453 | 40.10<br>1.579 | 43.25<br>1.703 | 46.50<br>1.831 |
|            | E1  | 18.26<br>.719  | 20.62<br>.812  | 23.01<br>.906  | 24.61<br>.969  | 26.97<br>1.062 | 29.36<br>1.156 | 31.75<br>1.250 | 34.93<br>1.375 | 38.10<br>1.500 |
| D1         |     | 14.53<br>.572  | 17.78<br>.700  | 21.59<br>.850  | 24.77<br>.975  | 27.94<br>1.100 | 30.66<br>1.207 | 33.83<br>1.332 | 37.00<br>1.457 | 40.18<br>1.582 |
|            | J   | 3.25<br>.128   | 3.25<br>.128   | 3.25<br>.128   | 3.25<br>.128   | 3.25<br>.128   | 3.25<br>.128   | 3.25<br>.128   | 3.73<br>.147   | 3.73<br>.147   |
| L1         | Max | 20.83<br>.820  | 20.83<br>.820  | 20.83<br>.820  | 20.83<br>.820  | 20.83<br>.820  | 20.83<br>.820  | 20.08<br>.791  | 20.08<br>.791  | 20.08<br>.791  |
|            | L2  | 10.50<br>.413  | 10.50<br>.413  | 10.50<br>.413  | 10.50<br>.413  | 10.50<br>.413  | 10.50<br>.413  | 11.25<br>.443  | 11.25<br>.443  | 11.25<br>.443  |
| L3         | Max | 2.48<br>.098   | 2.48<br>.098   | 2.48<br>.098   | 2.48<br>.098   | 2.48<br>.098   | 2.48<br>.098   | 3.24<br>.128   | 3.24<br>.128   | 3.24<br>.128   |
|            | D2  | 15.67<br>.617  | 18.64<br>.734  | 21.79<br>.858  | 24.99<br>.984  | 28.24<br>1.112 | 30.94<br>1.218 | 34.16<br>1.345 | 37.29<br>1.468 | 40.46<br>1.593 |
| D3         | Max | 6.96<br>.274   | 10.46<br>.412  | 13.36<br>.526  | 16.53<br>.651  | 19.71<br>.776  | 22.40<br>.882  | 25.56<br>1.006 | 28.75<br>1.132 | 31.93<br>1.257 |
|            | L4  | 11.30<br>.445  | 11.30<br>.445  | 11.30<br>.445  | 11.30<br>.445  | 11.30<br>.445  | 11.30<br>.445  | 11.30<br>.445  | 11.30<br>.445  | 11.30<br>.445  |
| L5         | Max | 15.85<br>.624  | 15.85<br>.624  | 15.85<br>.624  | 15.85<br>.624  | 15.85<br>.624  | 15.85<br>.624  | 16.60<br>.654  | 16.60<br>.654  | 16.60<br>.654  |
|            | D4  | 15.67<br>.617  | 18.64<br>.734  | 21.79<br>.858  | 24.99<br>.984  | 28.24<br>1.112 | 30.94<br>1.218 | 34.16<br>1.345 | 37.29<br>1.468 | 40.46<br>1.593 |
| D5         | min | 1.40<br>.055   | 1.40<br>.055   | 2.40<br>.094   | 5.60<br>.220   | 5.60<br>.220   | 8.80<br>.346   | 11.90<br>.469  | 15.10<br>.594  | 15.10<br>.594  |
|            | Max | 3.20<br>.126   | 4.80<br>.189   | 6.40<br>.252   | 9.50<br>.374   | 12.70<br>.500  | 15.90<br>.626  | 19.10<br>.752  | 22.20<br>.878  | 25.40<br>1.000 |
| F          | Max | 21.03<br>.828  | 22.63<br>.891  | 25.81<br>1.016 | 28.98<br>1.141 | 30.56<br>1.203 | 37.31<br>1.469 | 37.31<br>1.469 | 42.06<br>1.656 | 44.45<br>1.750 |
|            | L6  | 22.22<br>.875  | 22.22<br>.875  | 22.22<br>.875  | 28.57<br>1.125 | 28.57<br>1.125 | 28.57<br>1.125 | 28.57<br>1.125 | 31.75<br>1.250 | 31.75<br>1.250 |
| L7         | Max | 26.40<br>1.039 | 27.20<br>1.071 | 28.70<br>1.130 | 35.10<br>1.382 | 38.60<br>1.520 | 38.60<br>1.520 | 39.40<br>1.551 | 39.40<br>1.551 | 39.40<br>1.551 |
|            | D6  | 15.67<br>.617  | 18.64<br>.734  | 21.79<br>.858  | 24.99<br>.984  | 28.24<br>1.112 | 30.94<br>1.218 | 34.16<br>1.345 | 37.29<br>1.468 | 40.46<br>1.593 |
| D7         | min | 3.20<br>.126   | 4.00<br>.157   | 4.80<br>.189   | 5.50<br>.217   | 6.40<br>.252   | 7.90<br>.311   | 9.50<br>.374   | 10.30<br>.406  | 14.30<br>.563  |
|            | Max | 6.40<br>.252   | 9.50<br>.374   | 11.10<br>.437  | 14.30<br>.563  | 15.90<br>.626  | 19.10<br>.752  | 22.20<br>.878  | 23.80<br>1.000 | 25.40<br>1.000 |
| L8         | Max | 35.32<br>1.391 | 35.32<br>1.391 | 37.30<br>1.469 | 41.67<br>1.641 | 46.04<br>1.813 | 46.45<br>1.829 | 48.43<br>1.907 | 51.98<br>2.046 | 54.78<br>2.157 |
|            | L9  | 25.40<br>1.000 | 26.19<br>1.031 | 27.79<br>1.094 | 30.96<br>1.219 | 32.54<br>1.281 | 34.14<br>1.344 | 34.93<br>1.375 | 36.53<br>1.438 | 43.66<br>1.719 |
| L10        | Max | 39.90<br>1.571 | 39.90<br>1.571 | 41.90<br>1.650 | 48.10<br>1.894 | 50.60<br>1.992 | 51.00<br>2.008 | 53.80<br>2.118 | 57.30<br>2.256 | 60.10<br>2.366 |
|            | D8  | 20.20<br>.795  | 23.20<br>.913  | 26.20<br>1.031 | 29.20<br>1.150 | 32.20<br>1.268 | 35.20<br>1.386 | 39.20<br>1.543 | 42.20<br>1.661 | 45.20<br>1.780 |
| D9         | min | 6.90<br>.272   | 9.60<br>.378   | 12.70<br>.500  | 14.80<br>.583  | 17.90<br>.705  | 19.90<br>.783  | 23.10<br>.909  | 26.20<br>1.031 | 28.80<br>1.134 |
|            | Max | 7.00<br>.276   | 9.70<br>.382   | 12.80<br>.504  | 14.90<br>.587  | 18.00<br>.709  | 20.00<br>.787  | 23.20<br>.913  | 26.30<br>1.035 | 28.90<br>1.138 |
| D10        | Max | 16.00<br>.630  | 18.90<br>.744  | 22.10<br>.870  | 25.30<br>1.000 | 28.50<br>1.122 | 31.50<br>1.240 | 34.70<br>1.366 | 37.90<br>1.492 | 41.00<br>1.614 |
|            | L11 | type 1         | 27.80<br>1.094 | 27.80<br>1.094 | 27.80<br>1.094 | 29.80<br>1.173 | 29.80<br>1.173 | 30.80<br>1.213 | 34.60<br>1.362 | 34.60<br>1.362 |
| type 2     |     | -              | -              | -              | -              | -              | -              | -              | -              | -              |
| L12        | Max | 3.40<br>.134   | 3.40<br>.134   | 3.40<br>.134   | 3.40<br>.134   | 3.40<br>.134   | 3.40<br>.134   | 3.40<br>.134   | 3.40<br>.134   | 3.40<br>.134   |
|            | L13 | 31.40<br>1.236 | 31.40<br>1.236 | 31.40<br>1.236 | 33.40<br>1.315 | 33.40<br>1.315 | 34.40<br>1.354 | 39.00<br>1.535 | 39.00<br>1.535 | 39.00<br>1.535 |

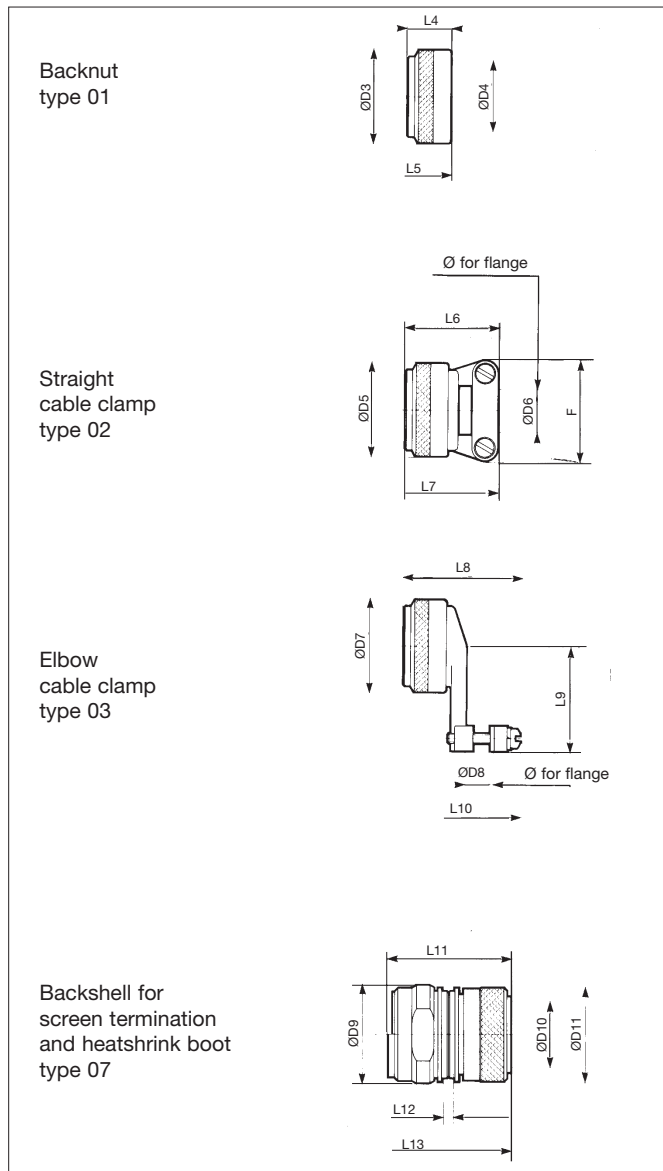
# 8LT Series



## Receptacle type 7



## Backshells



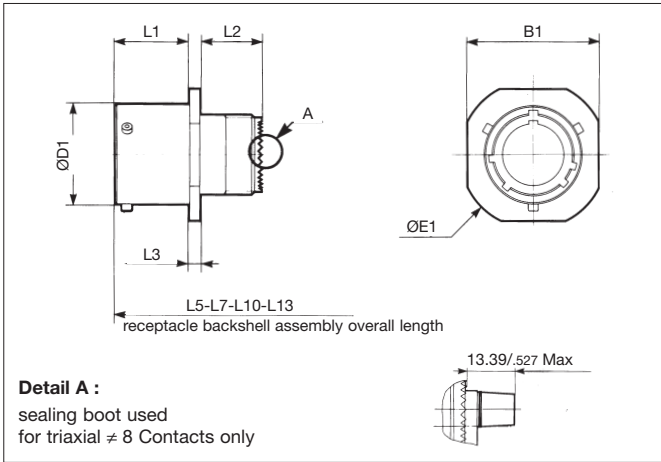
| shell size |        | 09             | 11             | 13             | 15             | 17             | 19             | 21             | 23             | 25             |
|------------|--------|----------------|----------------|----------------|----------------|----------------|----------------|----------------|----------------|----------------|
| <b>B1</b>  | Max    | 27.35<br>.1077 | 32.10<br>.1264 | 35.31<br>.1390 | 38.49<br>.1515 | 41.63<br>.1639 | 46.37<br>.1826 | 49.58<br>.1952 | 52.76<br>.2077 | 55.93<br>.2202 |
|            |        | 22.35<br>.880  | 25.55<br>1.006 | 30.30<br>1.193 | 33.45<br>1.317 | 36.65<br>1.443 | 39.80<br>1.567 | 43.00<br>1.693 | 46.15<br>1.817 | 50.95<br>2.006 |
| <b>D1</b>  |        | 14.53<br>.572  | 17.78<br>.700  | 21.59<br>.850  | 24.77<br>.975  | 27.94<br>1.100 | 30.66<br>1.207 | 33.83<br>1.332 | 37.00<br>1.457 | 40.18<br>1.582 |
|            | Max    | 30.54<br>1.202 | 35.23<br>1.387 | 38.40<br>1.512 | 41.64<br>1.639 | 44.75<br>1.762 | 49.53<br>1.950 | 52.67<br>2.074 | 55.94<br>2.202 | 59.02<br>2.324 |
| <b>L1</b>  | Max    | 23.36<br>.920  | 23.36<br>.920  | 23.36<br>.920  | 23.36<br>.920  | 23.36<br>.920  | 23.36<br>.920  | 23.36<br>.920  | 23.36<br>.920  | 23.36<br>.920  |
|            | Max    | 8.32<br>.328   | 8.32<br>.328   | 8.32<br>.328   | 8.32<br>.328   | 8.32<br>.328   | 8.32<br>.328   | 8.32<br>.328   | 8.32<br>.328   | 8.32<br>.328   |
| <b>L3</b>  | Max    | 3.00<br>.118   | 3.00<br>.118   | 3.00<br>.118   | 3.00<br>.118   | 3.00<br>.118   | 3.79<br>.149   | 3.79<br>.149   | 3.79<br>.149   | 3.79<br>.149   |
|            | Max    | 15.67<br>.617  | 18.64<br>.734  | 21.79<br>.858  | 24.99<br>.984  | 28.24<br>1.112 | 30.94<br>1.218 | 34.16<br>1.345 | 37.29<br>1.468 | 40.46<br>1.593 |
| <b>D3</b>  | Max    | 6.96<br>.274   | 10.46<br>.412  | 13.36<br>.526  | 16.53<br>.651  | 19.71<br>.776  | 22.40<br>.882  | 25.56<br>1.006 | 28.75<br>1.132 | 31.93<br>1.257 |
|            | Max    | 11.30<br>.445  | 11.30<br>.445  | 11.30<br>.445  | 11.30<br>.445  | 11.30<br>.445  | 11.30<br>.445  | 11.30<br>.445  | 11.30<br>.445  | 11.30<br>.445  |
| <b>L4</b>  | Max    | 13.66<br>.538  | 13.66<br>.538  | 13.66<br>.538  | 13.66<br>.538  | 13.66<br>.538  | 13.66<br>.538  | 13.66<br>.538  | 13.66<br>.538  | 13.66<br>.538  |
|            | Max    | 15.67<br>.617  | 18.64<br>.734  | 21.79<br>.858  | 24.99<br>.984  | 28.24<br>1.112 | 30.94<br>1.218 | 34.16<br>1.345 | 37.29<br>1.468 | 40.46<br>1.593 |
| <b>D5</b>  | Max    | 15.67<br>.617  | 18.64<br>.734  | 21.79<br>.858  | 24.99<br>.984  | 28.24<br>1.112 | 30.94<br>1.218 | 34.16<br>1.345 | 37.29<br>1.468 | 40.46<br>1.593 |
|            | min    | 1.40<br>.055   | 1.40<br>.055   | 2.40<br>.094   | 5.60<br>.220   | 5.60<br>.220   | 8.80<br>.346   | 11.90<br>.469  | 15.10<br>.594  | 15.10<br>.594  |
| <b>D6</b>  | Max    | 3.20<br>.126   | 4.80<br>.189   | 6.40<br>.252   | 9.50<br>.374   | 12.70<br>.500  | 15.90<br>.626  | 19.10<br>.752  | 22.20<br>.878  | 25.40<br>1.000 |
|            | Max    | 21.03<br>.828  | 22.63<br>.891  | 25.81<br>1.016 | 28.98<br>1.141 | 30.56<br>1.203 | 37.31<br>1.469 | 37.31<br>1.469 | 42.06<br>1.656 | 44.45<br>1.750 |
| <b>F</b>   | Max    | 22.22<br>.875  | 22.22<br>.875  | 22.22<br>.875  | 28.57<br>1.125 | 28.57<br>1.125 | 28.57<br>1.125 | 28.57<br>1.125 | 31.75<br>1.250 | 31.75<br>1.250 |
|            | Max    | 24.22<br>.954  | 25.02<br>.985  | 26.52<br>1.044 | 32.92<br>1.296 | 36.42<br>1.434 | 36.42<br>1.434 | 36.42<br>1.434 | 36.42<br>1.434 | 36.42<br>1.434 |
| <b>L6</b>  | Max    | 15.67<br>.617  | 18.64<br>.734  | 21.79<br>.858  | 24.99<br>.984  | 28.24<br>1.112 | 30.94<br>1.218 | 34.16<br>1.345 | 37.29<br>1.468 | 40.46<br>1.593 |
|            | min    | 3.20<br>.126   | 4.00<br>.157   | 4.80<br>.189   | 5.50<br>.217   | 6.40<br>.252   | 7.90<br>.311   | 9.50<br>.374   | 10.30<br>.406  | 14.30<br>.563  |
| <b>D7</b>  | Max    | 6.40<br>.252   | 9.50<br>.374   | 11.10<br>.437  | 14.30<br>.563  | 15.90<br>.626  | 19.10<br>.752  | 22.20<br>.878  | 23.80<br>.937  | 25.40<br>1.000 |
|            | Max    | 35.32<br>1.391 | 35.32<br>1.391 | 37.30<br>1.469 | 41.67<br>1.641 | 46.04<br>1.813 | 46.45<br>1.829 | 48.43<br>1.907 | 51.98<br>2.046 | 54.78<br>2.157 |
| <b>L8</b>  | Max    | 25.40<br>1.000 | 26.19<br>1.031 | 27.79<br>1.094 | 30.96<br>1.219 | 32.54<br>1.281 | 34.14<br>1.344 | 34.93<br>1.375 | 36.53<br>1.438 | 43.66<br>1.719 |
|            | Max    | 37.68<br>1.483 | 37.68<br>1.483 | 39.66<br>1.561 | 45.83<br>1.804 | 48.40<br>1.906 | 48.81<br>1.922 | 50.79<br>2.000 | 54.34<br>2.139 | 57.14<br>2.250 |
| <b>L9</b>  | Max    | 20.20<br>.795  | 23.20<br>.913  | 26.20<br>1.031 | 29.20<br>1.150 | 32.20<br>1.268 | 35.20<br>1.386 | 39.20<br>1.543 | 42.20<br>1.661 | 45.20<br>1.780 |
|            | min    | 6.90<br>.272   | 9.60<br>.378   | 12.70<br>.500  | 14.80<br>.583  | 17.90<br>.705  | 19.90<br>.783  | 23.10<br>.909  | 26.20<br>1.031 | 28.80<br>1.134 |
| <b>D8</b>  | Max    | 7.00<br>.276   | 9.70<br>.382   | 12.80<br>.504  | 14.90<br>.587  | 18.00<br>.709  | 20.00<br>.787  | 23.20<br>.913  | 26.30<br>1.035 | 28.90<br>1.138 |
|            | Max    | 16.00<br>.630  | 18.90<br>.744  | 22.10<br>.870  | 25.30<br>.996  | 28.50<br>1.122 | 31.50<br>1.240 | 34.70<br>1.366 | 37.90<br>1.492 | 41.00<br>1.614 |
| <b>D9</b>  | Max    | -              | -              | -              | -              | -              | -              | -              | -              | -              |
|            | type 1 | -              | -              | -              | -              | -              | -              | -              | -              | -              |
| <b>L10</b> | Max    | 26.70<br>1.051 | 26.70<br>1.051 | 26.70<br>1.051 | 28.70<br>1.130 | 28.70<br>1.130 | 29.70<br>1.169 | 33.50<br>1.319 | 33.50<br>1.319 | 33.50<br>1.319 |
|            | type 2 | 3.40<br>.134   | 3.40<br>.134   | 3.40<br>.134   | 3.40<br>.134   | 3.40<br>.134   | 3.40<br>.134   | 3.40<br>.134   | 3.40<br>.134   | 3.40<br>.134   |
| <b>L11</b> | Max    | 29.22<br>1.150 | 29.22<br>1.150 | 29.22<br>1.150 | 31.22<br>1.229 | 31.22<br>1.229 | 32.22<br>1.269 | 36.02<br>1.418 | 36.02<br>1.418 | 36.02<br>1.418 |
|            | Max    | -              | -              | -              | -              | -              | -              | -              | -              | -              |
| <b>L12</b> | Max    | -              | -              | -              | -              | -              | -              | -              | -              | -              |
|            | Max    | -              | -              | -              | -              | -              | -              | -              | -              | -              |
| <b>L13</b> | Max    | -              | -              | -              | -              | -              | -              | -              | -              | -              |
|            | Max    | -              | -              | -              | -              | -              | -              | -              | -              | -              |



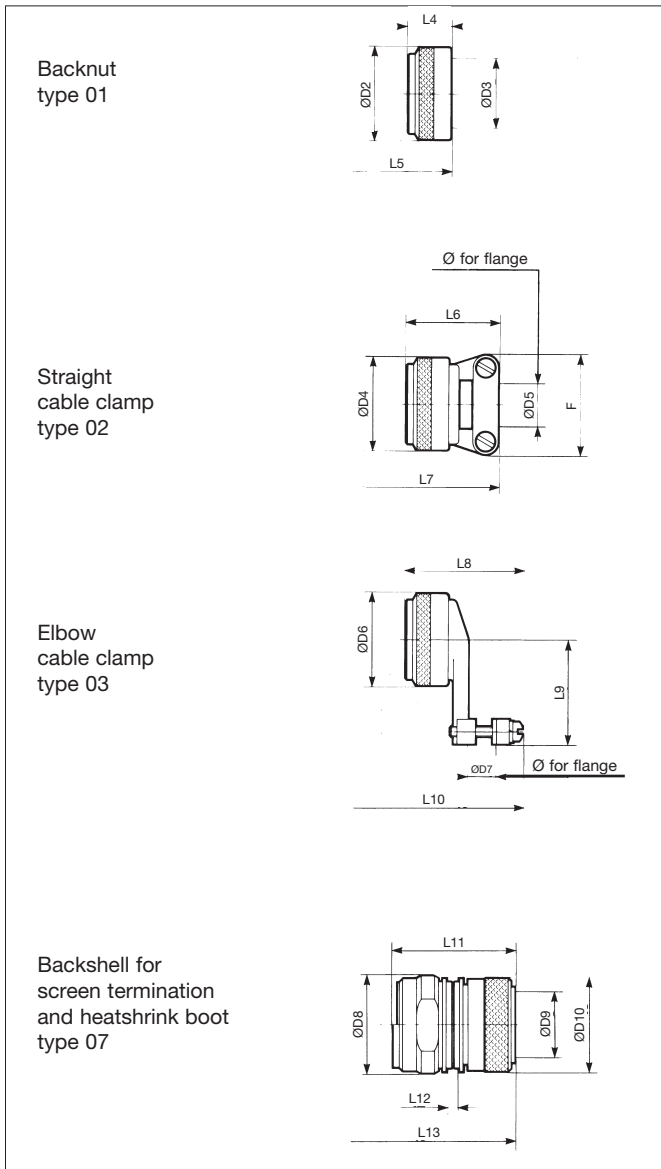
# 8LT Series



## Cable connecting receptacle type 1



## Backshells

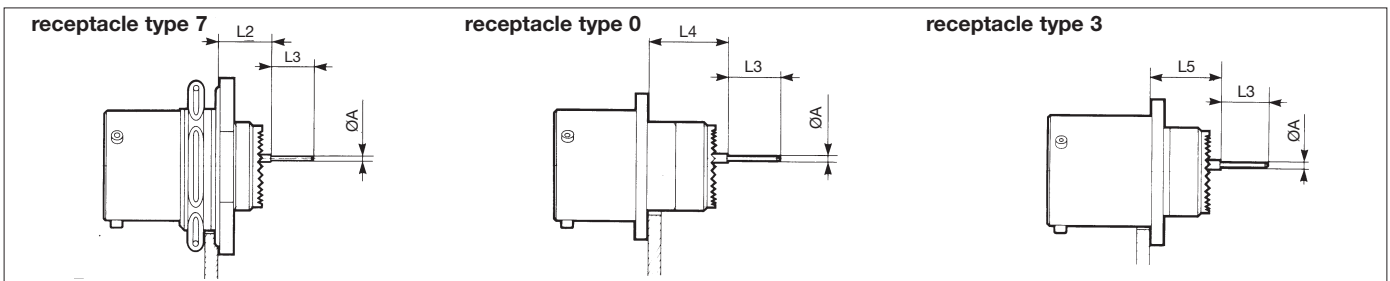


| shell size |     | 09             | 11             | 13             | 15             | 17             | 19             | 21             | 23             | 25             |
|------------|-----|----------------|----------------|----------------|----------------|----------------|----------------|----------------|----------------|----------------|
| B1         | Max | 18.92<br>.745  | 22.22<br>.875  | 25.62<br>1.009 | 27.82<br>1.095 | 31.35<br>1.234 | 34.62<br>1.363 | 38.02<br>1.497 | 42.02<br>1.654 | 46.50<br>1.831 |
|            | E1  | 22.35<br>.880  | 25.65<br>1.010 | 29.05<br>1.144 | 31.25<br>1.230 | 34.65<br>1.364 | 38.05<br>1.498 | 41.45<br>1.632 | 45.45<br>1.789 | 49.95<br>1.967 |
| D1         |     | 14.53<br>.572  | 17.78<br>.700  | 21.59<br>.850  | 24.77<br>.975  | 27.94<br>1.100 | 30.66<br>1.207 | 33.83<br>1.332 | 37.00<br>1.457 | 40.18<br>1.582 |
|            | L1  | Max            | 16.05<br>.632  | 16.05<br>.632  | 16.05<br>.632  | 16.05<br>.632  | 16.05<br>.632  | 16.05<br>.632  | 15.29<br>.602  | 15.29<br>.602  |
| L2         | Max | 13.45<br>.530  | 13.45<br>.530  | 13.45<br>.530  | 13.45<br>.530  | 13.45<br>.530  | 13.45<br>.530  | 13.45<br>.530  | 13.45<br>.530  | 13.45<br>.530  |
|            | L3  | Max            | 2.48<br>.098   | 2.48<br>.098   | 2.48<br>.098   | 2.48<br>.098   | 2.48<br>.098   | 2.48<br>.098   | 3.24<br>1.28   | 3.24<br>1.28   |
| D2         | Max | 15.67<br>.617  | 18.64<br>.734  | 21.79<br>.858  | 24.99<br>.984  | 28.24<br>1.112 | 30.94<br>1.218 | 34.16<br>1.345 | 37.29<br>1.468 | 40.46<br>1.593 |
|            | D3  | Max            | 6.96<br>.274   | 10.46<br>.412  | 13.36<br>.526  | 16.53<br>.651  | 19.71<br>.776  | 22.40<br>.882  | 25.56<br>1.006 | 28.75<br>1.132 |
| L4         | Max | 11.30<br>.445  | 11.30<br>.445  | 11.30<br>.445  | 11.30<br>.445  | 11.30<br>.445  | 11.30<br>.445  | 11.30<br>.445  | 11.30<br>.445  | 11.30<br>.445  |
|            | L5  | Max            | 37.36<br>1.471 | 37.36<br>1.471 | 37.36<br>1.471 | 37.36<br>1.471 | 37.36<br>1.471 | 37.36<br>1.471 | 37.36<br>1.471 | 37.36<br>1.471 |
| D4         | Max | 15.67<br>.617  | 18.64<br>.734  | 21.79<br>.858  | 24.99<br>.984  | 28.24<br>1.112 | 30.94<br>1.218 | 34.16<br>1.345 | 37.29<br>1.468 | 40.46<br>1.593 |
|            | D5  | min            | 1.40<br>.055   | 1.40<br>.055   | 2.40<br>.094   | 5.60<br>.220   | 5.60<br>.220   | 8.80<br>.346   | 11.90<br>.469  | 15.10<br>.602  |
| Max        |     | 3.20<br>.126   | 4.80<br>.189   | 6.40<br>.252   | 9.50<br>.374   | 12.70<br>.500  | 15.90<br>.626  | 19.10<br>.752  | 22.20<br>.874  | 25.40<br>1.000 |
| F          | Max | 21.03<br>.828  | 22.63<br>.891  | 25.81<br>1.016 | 28.98<br>1.141 | 30.56<br>1.203 | 37.31<br>1.469 | 37.31<br>1.469 | 42.06<br>1.656 | 44.45<br>1.750 |
|            | L6  | Max            | 22.22<br>.875  | 22.22<br>.875  | 22.22<br>.875  | 28.57<br>1.125 | 28.57<br>1.125 | 28.57<br>1.125 | 28.57<br>1.125 | 31.75<br>1.250 |
| L7         | Max | 47.98<br>1.889 | 48.72<br>1.918 | 50.22<br>1.977 | 56.62<br>2.229 | 60.12<br>2.367 | 60.12<br>2.367 | 60.12<br>2.367 | 60.12<br>2.367 | 60.12<br>2.367 |
|            | D6  | Max            | 15.67<br>.617  | 18.64<br>.734  | 21.79<br>.858  | 24.99<br>.984  | 28.24<br>1.112 | 30.94<br>1.218 | 34.16<br>1.345 | 37.29<br>1.468 |
| D7         |     | min            | 3.20<br>.126   | 4.00<br>.157   | 4.80<br>.189   | 5.50<br>.217   | 6.40<br>.252   | 7.90<br>.311   | 9.50<br>.374   | 10.30<br>.406  |
|            | Max | 6.40<br>.252   | 9.50<br>.374   | 11.10<br>.437  | 14.30<br>.563  | 15.90<br>.626  | 19.10<br>.752  | 22.20<br>.874  | 23.80<br>.937  | 25.40<br>1.000 |
| L8         | Max | 35.32<br>1.391 | 35.32<br>1.391 | 37.30<br>1.469 | 41.67<br>1.641 | 46.04<br>1.813 | 46.45<br>1.829 | 48.43<br>1.907 | 51.98<br>2.046 | 54.78<br>2.157 |
|            | L9  | Max            | 25.40<br>1.000 | 26.19<br>1.031 | 27.79<br>1.094 | 30.96<br>1.219 | 32.54<br>1.281 | 34.14<br>1.344 | 34.93<br>1.375 | 36.53<br>1.438 |
| L10        | Max | 61.38<br>2.417 | 61.38<br>2.417 | 63.36<br>2.494 | 69.53<br>2.737 | 72.10<br>2.839 | 72.51<br>2.855 | 74.49<br>2.933 | 78.04<br>3.072 | 80.84<br>3.183 |
|            | D8  | Max            | 20.20<br>.795  | 23.20<br>.913  | 26.20<br>1.031 | 29.20<br>1.150 | 32.20<br>1.268 | 35.20<br>1.386 | 39.20<br>1.543 | 42.20<br>1.661 |
| D9         |     | min            | 6.90<br>.272   | 9.60<br>.378   | 12.70<br>.500  | 14.80<br>.583  | 17.90<br>.705  | 19.90<br>.783  | 23.10<br>.909  | 26.20<br>1.031 |
|            | Max | 7.00<br>.276   | 9.70<br>.382   | 12.80<br>.504  | 14.90<br>.587  | 18.00<br>.709  | 20.00<br>.787  | 23.20<br>.913  | 26.30<br>1.035 | 28.90<br>1.138 |
| D10        | Max | 16.00<br>.630  | 18.90<br>.744  | 22.10<br>.870  | 25.30<br>.996  | 28.50<br>1.122 | 31.50<br>1.240 | 34.70<br>1.366 | 37.90<br>1.492 | 41.00<br>1.614 |
|            | L11 | type 1         | 27.80<br>1.094 | 27.80<br>1.094 | 27.80<br>1.094 | 29.80<br>1.173 | 29.80<br>1.173 | 30.80<br>1.213 | 34.60<br>1.362 | 34.60<br>1.362 |
| type 2     |     | -              | -              | -              | -              | -              | -              | -              | -              | -              |
| L12        | Max | 3.40<br>.134   | 3.40<br>.134   | 3.40<br>.134   | 3.40<br>.134   | 3.40<br>.134   | 3.40<br>.134   | 3.40<br>.134   | 3.40<br>.134   | 3.40<br>.134   |
|            | L13 | Max            | 52.92<br>2.083 | 52.92<br>2.083 | 52.92<br>2.083 | 54.92<br>2.162 | 54.92<br>2.162 | 55.92<br>2.202 | 59.72<br>2.351 | 59.72<br>2.351 |

# 8LT Series



## Receptacle with straight spill contacts



| shell size       |                        |                  | 09               | 11        | 13    | 15    | 17    | 19    | 21    | 23    | 25    |       |       |       |
|------------------|------------------------|------------------|------------------|-----------|-------|-------|-------|-------|-------|-------|-------|-------|-------|-------|
| L2               | # 22D<br>8LT           | CM               | Max              | 10.06     | 10.06 | 10.06 | 10.06 | 10.06 | 10.06 | 10.06 | 10.06 | 10.06 |       |       |
|                  |                        |                  | min              | .396      | .396  | .396  | .396  | .396  | .396  | .396  | .396  | .396  | .396  |       |
|                  |                        | CF               | Max              | 9.07      | 9.07  | 9.07  | 9.07  | 9.07  | 9.07  | 9.07  | 9.07  | 9.07  | 9.07  |       |
|                  |                        |                  | min              | .357      | .357  | .357  | .357  | .357  | .357  | .357  | .357  | .357  | .357  |       |
|                  |                        | # 22D<br>HE308   | CM               | Max       | 10.06 | 10.06 | 10.06 | 10.06 | 10.06 | 10.06 | 10.06 | 10.06 | 10.06 |       |
|                  |                        |                  |                  | min       | .396  | .396  | .396  | .396  | .396  | .396  | .396  | .396  | .396  | .396  |
|                  | CF                     |                  | Max              | 8.74      | 8.74  | 8.74  | 8.74  | 8.74  | 8.74  | 8.74  | 8.74  | 8.74  | 8.74  |       |
|                  |                        |                  | min              | .344      | .344  | .344  | .344  | .344  | .344  | .344  | .344  | .344  | .344  |       |
|                  | #20 - #16<br>8LT HE308 |                  | CM and CF        | Max       | 10.23 | 10.23 | 10.23 | 10.23 | 10.23 | 10.23 | 10.23 | 10.23 | 10.23 |       |
|                  |                        |                  |                  | min       | .403  | .403  | .403  | .403  | .403  | .403  | .403  | .403  | .403  | .403  |
|                  | ØA                     | #22D             | 8LT              | 0.70      | 0.70  | 0.70  | 0.70  | 0.70  | 0.70  | 0.70  | 0.70  | 0.70  |       |       |
|                  |                        |                  | HE308            | .028      | .028  | .028  | .028  | .028  | .028  | .028  | .028  | .028  | .028  |       |
| #20              |                        | 0.50             | 0.50             | 0.50      | 0.50  | 0.50  | 0.50  | 0.50  | 0.50  | 0.50  | 0.50  |       |       |       |
| #16              |                        | .020             | .020             | .020      | .020  | .020  | .020  | .020  | .020  | .020  | .020  |       |       |       |
| #20              |                        | CM and CF        | Max              | 0.70      | 0.70  | 0.70  | 0.70  | 0.70  | 0.70  | 0.70  | 0.70  | 0.70  |       |       |
|                  |                        |                  | min              | .028      | .028  | .028  | .028  | .028  | .028  | .028  | .028  | .028  | .028  |       |
| L3               | PC #22D                | 8LT              | 1.15             | 1.15      | 1.15  | 1.15  | 1.15  | 1.15  | 1.15  | 1.15  | 1.15  |       |       |       |
|                  |                        | HE308            | .045             | .045      | .045  | .045  | .045  | .045  | .045  | .045  | .045  | .045  |       |       |
|                  | PC#20                  | CM and CF        | Max              | 4.00      | 4.00  | 4.00  | 4.00  | 4.00  | 4.00  | 4.00  | 4.00  | 4.00  |       |       |
|                  |                        |                  | min              | .157      | .157  | .157  | .157  | .157  | .157  | .157  | .157  | .157  |       |       |
|                  | PC#16                  | CM and CF        | Max              | 5.00      | 5.00  | 5.00  | 5.00  | 5.00  | 5.00  | 5.00  | 5.00  | 5.00  |       |       |
|                  |                        |                  | min              | .197      | .197  | .197  | .197  | .197  | .197  | .197  | .197  | .197  |       |       |
| PL#22D           | CM and CF              | Max              | 5.00             | 5.00      | 5.00  | 5.00  | 5.00  | 5.00  | 5.00  | 5.00  | 5.00  |       |       |       |
|                  |                        | min              | .197             | .197      | .197  | .197  | .197  | .197  | .197  | .197  | .197  |       |       |       |
| L4               | #22D<br>8LT            | CM               | Max              | 8.50      | 8.50  | 8.50  | 8.50  | 8.50  | 8.50  | 8.50  | 8.50  | 8.50  |       |       |
|                  |                        |                  | min              | .335      | .335  | .335  | .335  | .335  | .335  | .335  | .335  | .335  |       |       |
|                  |                        | CF               | Max              | 15.08     | 15.08 | 15.08 | 15.08 | 15.08 | 15.08 | 15.08 | 15.08 | 15.08 |       |       |
|                  |                        |                  | min              | .594      | .594  | .594  | .594  | .594  | .594  | .594  | .594  | .594  |       |       |
|                  |                        | #20 - #16<br>8LT | CM and CF        | Max       | 13.91 | 13.91 | 13.91 | 13.91 | 13.91 | 13.91 | 13.91 | 13.91 | 13.91 |       |
|                  |                        |                  |                  | min       | .548  | .548  | .548  | .548  | .548  | .548  | .548  | .548  | .548  |       |
|                  | L5                     | #22D<br>8LT      | CM               | Max       | 15.08 | 15.08 | 15.08 | 15.08 | 15.08 | 15.08 | 15.08 | 15.08 |       |       |
|                  |                        |                  |                  | min       | .594  | .594  | .594  | .594  | .594  | .594  | .594  | .594  | .594  |       |
|                  |                        |                  | CF               | Max       | 13.58 | 13.58 | 13.58 | 13.58 | 13.58 | 13.58 | 13.58 | 13.58 | 13.58 |       |
|                  |                        |                  |                  | min       | .535  | .535  | .535  | .535  | .535  | .535  | .535  | .535  | .535  |       |
|                  |                        |                  | #20 - #16<br>8LT | CM and CF | Max   | 15.25 | 15.25 | 15.25 | 15.25 | 15.25 | 15.25 | 15.25 | 15.25 | 15.25 |
|                  |                        |                  |                  |           | min   | .600  | .600  | .600  | .600  | .600  | .600  | .600  | .600  | .600  |
| L5               | #22D<br>8LT            | CM               | Max              | 12.47     | 12.47 | 12.47 | 12.47 | 12.47 | 12.47 | 13.22 | 13.22 | 13.22 |       |       |
|                  |                        |                  | min              | .491      | .491  | .491  | .491  | .491  | .491  | .520  | .520  | .520  |       |       |
|                  |                        | CF               | Max              | 11.60     | 11.60 | 11.60 | 11.60 | 11.60 | 11.60 | 12.35 | 12.35 | 12.35 |       |       |
|                  |                        |                  | min              | .457      | .457  | .457  | .457  | .457  | .457  | .486  | .486  | .486  |       |       |
|                  |                        | #20 - #16<br>8LT | CM and CF        | Max       | 12.47 | 12.47 | 12.47 | 12.47 | 12.47 | 12.47 | 13.22 | 13.22 | 13.22 |       |
|                  |                        |                  |                  | min       | .491  | .491  | .491  | .491  | .491  | .491  | .520  | .520  | .520  |       |
| #20 - #16<br>8LT | CM and CF              | Max              | 11.27            | 11.27     | 11.27 | 11.27 | 11.27 | 11.27 | 12.02 | 12.02 | 12.02 |       |       |       |
|                  |                        | min              | .444             | .444      | .444  | .444  | .444  | .444  | .473  | .473  | .473  |       |       |       |
| #20 - #16<br>8LT | CM and CF              | Max              | 12.64            | 12.64     | 12.64 | 12.64 | 12.64 | 12.64 | 13.39 | 13.39 | 13.39 |       |       |       |
|                  |                        | min              | .498             | .498      | .498  | .498  | .498  | .498  | .527  | .527  | .527  |       |       |       |
| #20 - #16<br>8LT | CM and CF              | Max              | 11.77            | 11.77     | 11.77 | 11.77 | 11.77 | 11.77 | 12.52 | 12.52 | 12.52 |       |       |       |
|                  |                        | min              | .463             | .463      | .463  | .463  | .463  | .463  | .493  | .493  | .493  |       |       |       |

CM : male contact

CF : female contact

PL : long spill

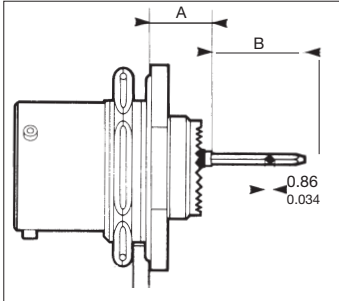
PC : short spill

# 8LT Series



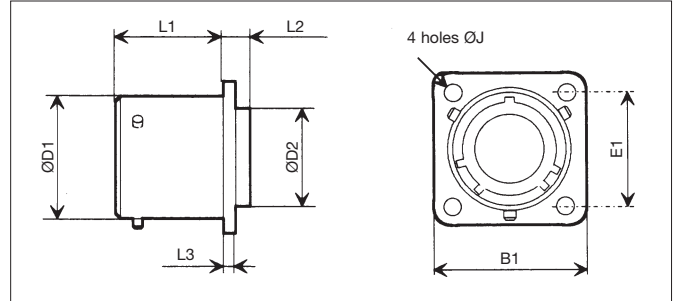
## Receptacle with wire wrap contacts

### Receptacle type 7



| contact size | contact type | A Max          | B Max         |
|--------------|--------------|----------------|---------------|
| 22D          | W 3 wraps    | 10.06<br>0.396 | 16.00<br>0.63 |
| 20           | T2 wraps     | 10.06<br>0.396 | 16.00<br>0.63 |

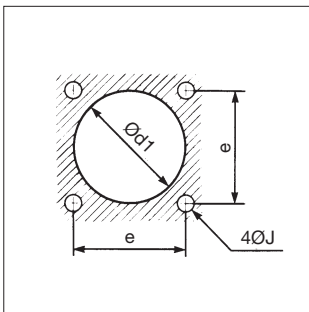
### Receptacle type 2



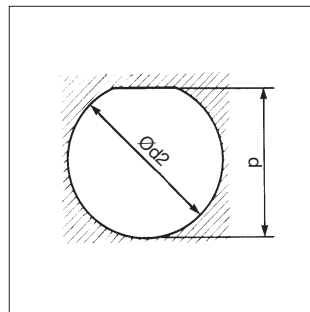
| shell size | 09            | 11             | 13             | 15             | 17             | 19             | 21             | 23             | 25             |
|------------|---------------|----------------|----------------|----------------|----------------|----------------|----------------|----------------|----------------|
| L1 Max     | 20.83<br>.820 | 20.83<br>.820  | 20.83<br>.820  | 20.83<br>.820  | 20.83<br>.820  | 20.83<br>.820  | 20.08<br>.791  | 20.08<br>.791  | 20.08<br>.791  |
| L2 Max     | 5.55<br>.219  | 5.55<br>.219   | 5.55<br>.219   | 5.55<br>.219   | 5.55<br>.219   | 5.55<br>.219   | 6.30<br>.248   | 6.30<br>.248   | 6.30<br>.248   |
| L3 Max     | 2.48<br>.098  | 2.48<br>.098   | 2.48<br>.098   | 2.48<br>.098   | 2.48<br>.098   | 2.48<br>.098   | 3.24<br>.128   | 3.24<br>.128   | 3.24<br>.128   |
| D1         | 14.53<br>.572 | 17.78<br>.700  | 21.59<br>.850  | 24.77<br>.975  | 27.94<br>1.100 | 30.66<br>1.207 | 33.83<br>1.332 | 37.00<br>1.457 | 40.18<br>1.582 |
| D2 Max     | 9.95<br>.392  | 12.90<br>.508  | 16.10<br>.634  | 19.05<br>.750  | 22.20<br>.874  | 25.20<br>.992  | 28.35<br>1.116 | 31.50<br>1.240 | 34.70<br>1.366 |
| B1 Max     | 24.25<br>.955 | 26.60<br>1.047 | 29.00<br>1.142 | 31.35<br>1.234 | 33.75<br>1.329 | 36.90<br>1.453 | 40.10<br>1.579 | 43.25<br>1.703 | 46.50<br>1.831 |
| E1         | 18.26<br>.719 | 20.62<br>.812  | 23.01<br>.906  | 24.61<br>.969  | 26.97<br>1.062 | 29.36<br>1.156 | 31.75<br>1.250 | 34.93<br>1.375 | 38.10<br>1.500 |

## Panel cut-out

### square flange receptacle



### jam nut receptacle



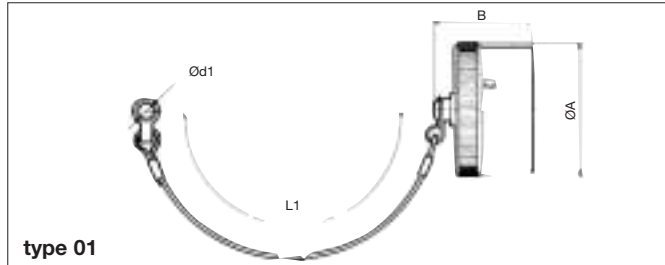
| shell size | 09            | 11            | 13             | 15             | 17             | 19             | 21             | 23             | 25             |                |
|------------|---------------|---------------|----------------|----------------|----------------|----------------|----------------|----------------|----------------|----------------|
| d1 min     | type 0        | 15.70<br>.618 | 18.70<br>.736  | 21.80<br>.858  | 25.00<br>.984  | 28.30<br>1.114 | 31.00<br>1.220 | 34.20<br>1.346 | 37.30<br>1.469 | 40.50<br>1.594 |
|            | type 3        | 16.66<br>.656 | 20.22<br>.796  | 23.42<br>.922  | 26.59<br>1.047 | 30.96<br>1.219 | 32.94<br>1.297 | 36.12<br>1.422 | 39.29<br>1.547 | 42.47<br>1.672 |
| d2         | 17.70<br>.697 | 20.88<br>.822 | 25.58<br>1.007 | 28.80<br>1.134 | 31.98<br>1.259 | 35.15<br>1.384 | 38.28<br>1.507 | 41.50<br>1.634 | 44.68<br>1.759 |                |
| J          | 3.25<br>.128  | 3.25<br>.128  | 3.25<br>.128   | 3.25<br>.128   | 3.25<br>.128   | 3.25<br>.128   | 3.25<br>.128   | 3.91<br>.154   | 3.91<br>.154   |                |
| e          | 18.26<br>.719 | 20.62<br>.812 | 23.01<br>.906  | 24.61<br>.969  | 26.97<br>1.062 | 29.36<br>1.156 | 31.75<br>1.250 | 34.92<br>1.375 | 38.10<br>1.500 |                |
| P          | 16.99<br>.669 | 19.53<br>.769 | 24.26<br>.955  | 27.53<br>1.084 | 30.68<br>1.208 | 33.86<br>1.333 | 37.06<br>1.459 | 40.01<br>1.575 | 43.41<br>1.709 |                |

# 8LT Series

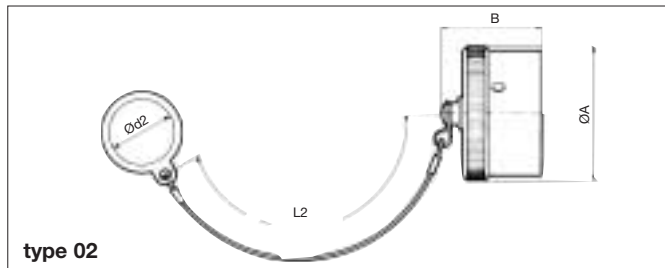


## Accessories

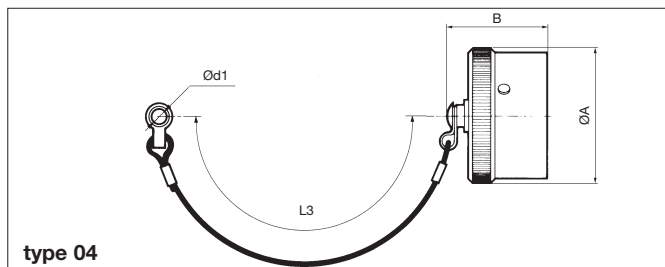
### Protective caps for receptacles



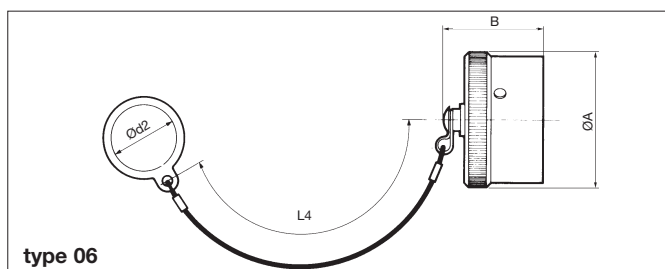
type 01



type 02

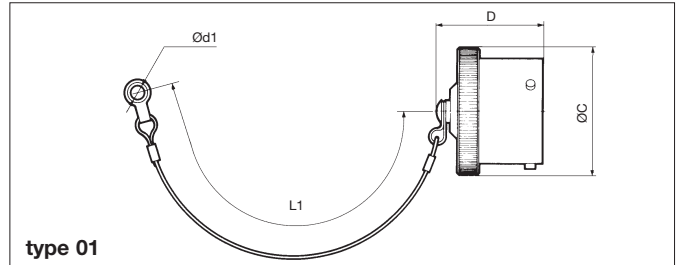


type 04

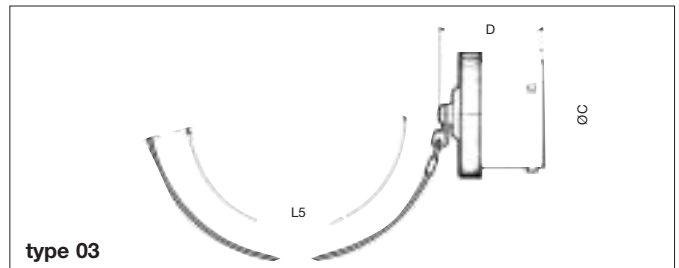


type 06

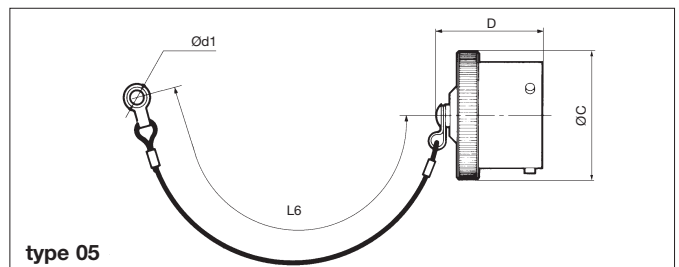
### Protective caps for plugs



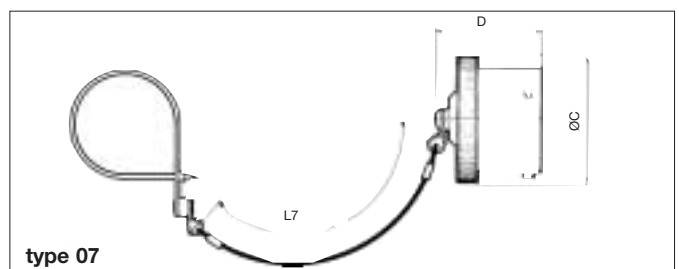
type 01



type 03



type 05



type 07

| shell size | A Max          | B Max          | C Max          | D Max          | d1 min       | d2 min         | L1              | L2              | L3              | L4              | L5              | L6              | L7              |
|------------|----------------|----------------|----------------|----------------|--------------|----------------|-----------------|-----------------|-----------------|-----------------|-----------------|-----------------|-----------------|
| 09         | 21.20<br>.835  | 28.00<br>1.102 | 20.50<br>.807  | 29.50<br>1.161 | 3.20<br>.126 | 17.80<br>.701  | 76.00<br>2.992  | 76.00<br>2.992  | 105.00<br>4.134 | 105.00<br>4.134 | 200.00<br>7.874 | 160.00<br>6.299 | 160.00<br>6.299 |
| 11         | 24.40<br>.961  | 28.00<br>1.102 | 23.70<br>.933  | 29.50<br>1.161 | 3.20<br>.126 | 21.30<br>.839  | 76.00<br>2.992  | 76.00<br>2.992  | 105.00<br>4.134 | 105.00<br>4.134 | 200.00<br>7.874 | 160.00<br>6.299 | 160.00<br>6.299 |
| 13         | 28.40<br>1.118 | 28.00<br>1.102 | 26.90<br>1.059 | 29.50<br>1.161 | 3.20<br>.126 | 25.70<br>1.012 | 89.00<br>3.504  | 89.00<br>3.504  | 105.00<br>4.134 | 105.00<br>4.134 | 200.00<br>7.874 | 160.00<br>6.299 | 160.00<br>6.299 |
| 15         | 31.60<br>1.244 | 28.00<br>1.102 | 30.10<br>1.185 | 29.50<br>1.161 | 3.20<br>.126 | 29.00<br>1.142 | 89.00<br>3.504  | 89.00<br>3.504  | 105.00<br>4.134 | 105.00<br>4.134 | 200.00<br>7.874 | 160.00<br>6.299 | 160.00<br>6.299 |
| 17         | 35.50<br>1.398 | 28.00<br>1.102 | 33.20<br>1.307 | 29.50<br>1.161 | 3.20<br>.126 | 32.00<br>1.260 | 89.00<br>3.504  | 89.00<br>3.504  | 105.00<br>4.134 | 105.00<br>4.134 | 200.00<br>7.874 | 160.00<br>6.299 | 160.00<br>6.299 |
| 19         | 37.90<br>1.492 | 28.00<br>1.102 | 36.40<br>1.433 | 29.50<br>1.161 | 3.20<br>.126 | 35.30<br>1.390 | 89.00<br>3.504  | 89.00<br>3.504  | 105.00<br>4.134 | 105.00<br>4.134 | 200.00<br>7.874 | 160.00<br>6.299 | 160.00<br>6.299 |
| 21         | 41.10<br>1.618 | 28.00<br>1.102 | 39.60<br>1.559 | 29.50<br>1.161 | 3.20<br>.126 | 38.10<br>1.500 | 102.00<br>4.016 | 102.00<br>4.016 | 105.00<br>4.134 | 105.00<br>4.134 | 200.00<br>7.874 | 160.00<br>6.299 | 160.00<br>6.299 |
| 23         | 44.30<br>1.744 | 28.00<br>1.102 | 42.80<br>1.685 | 29.50<br>1.161 | 3.20<br>.126 | 41.70<br>1.642 | 102.00<br>4.016 | 102.00<br>4.016 | 105.00<br>4.134 | 105.00<br>4.134 | 200.00<br>7.874 | 160.00<br>6.299 | 160.00<br>6.299 |
| 25         | 47.40<br>1.866 | 28.00<br>1.102 | 45.90<br>1.807 | 29.50<br>1.161 | 3.20<br>.126 | 44.70<br>1.760 | 102.00<br>4.016 | 102.00<br>4.016 | 105.00<br>4.134 | 105.00<br>4.134 | 200.00<br>7.874 | 160.00<br>6.299 | 160.00<br>6.299 |

# 8LT Series

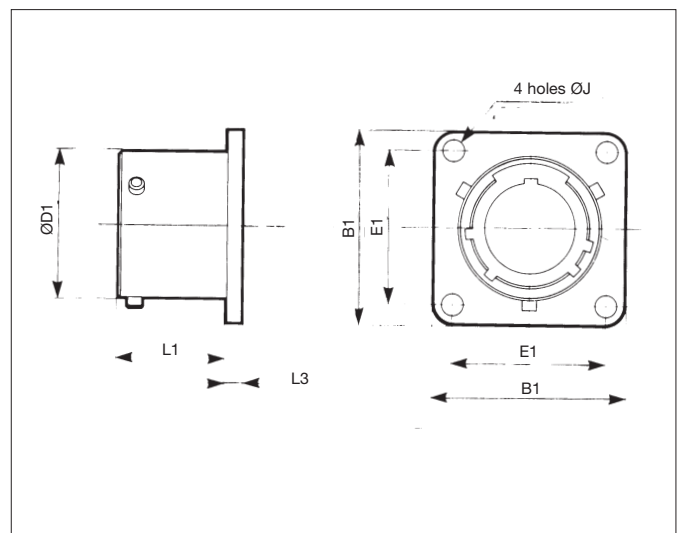


## Protective caps

|                     |  |  |                     |  |           |          |           |
|---------------------|--|--|---------------------|--|-----------|----------|-----------|
| <b>basic series</b> |  |  | <b>8LT</b>          | <b>E</b>   | <b>01</b> | <b>G</b> | <b>13</b> |
| <b>cap type</b>     | <b>E</b> - cap for receptacle                      |  |                     | <b>F</b> - cap for plug                            |           |          |           |
| <b>fixing type</b>  | <b>cap for receptacle</b>                          |  | <b>cap for plug</b> |  |           |          |           |
|                     | <b>01</b> - plastic sleeved metal cord with eyelet |  |                     | <b>01</b> - plastic sleeved metal cord with eyelet |           |          |           |
|                     | <b>02</b> - plastic sleeved metal cord with ring   |  |                     | <b>03</b> - nylon cord without fastener            |           |          |           |
|                     | <b>04</b> - nylon cord with eyelet                 |  |                     | <b>05</b> - nylon cord with eyelet                 |           |          |           |
|                     | <b>06</b> - nylon cord with ring                   |  |                     | <b>07</b> - nylon cord with strap                  |           |          |           |
| <b>plating</b>      | <b>B</b> - olive green cadmium (MIL-C 38999)       |  |                     |  |           |          |           |
|                     | <b>F</b> - nickel                                  |  |                     |  |           |          |           |
| <b>shell size</b>   | <b>09-11-13-15-17-19-21-23-25</b>                  |  |                     |  |           |          |           |

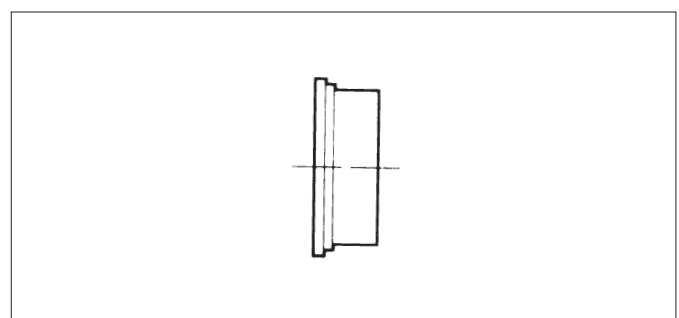
## Dummy receptacles

| shell size | part numbers | L1 Max        | L3 Max       | D1 Max         | B1 Max         | E1             | J            |
|------------|--------------|---------------|--------------|----------------|----------------|----------------|--------------|
| 09         | 8LTO-09GUR   | 16.05<br>.632 | 2.48<br>.098 | 14.53<br>.572  | 24.25<br>.955  | 18.26<br>.719  | 3.25<br>.128 |
| 11         | 8LTO-11GUR   | 16.05<br>.632 | 2.48<br>.098 | 17.78<br>.700  | 26.60<br>1.047 | 20.62<br>.812  | 3.25<br>.128 |
| 13         | 8LTO-13GUR   | 16.05<br>.632 | 2.48<br>.098 | 21.59<br>.850  | 29.00<br>1.142 | 23.01<br>.906  | 3.25<br>.128 |
| 15         | 8LTO-15GUR   | 16.05<br>.632 | 2.48<br>.098 | 24.77<br>.975  | 31.35<br>1.234 | 24.61<br>.969  | 3.25<br>.128 |
| 17         | 8LTO-17GUR   | 16.05<br>.632 | 2.48<br>.098 | 27.94<br>1.100 | 33.75<br>1.329 | 26.97<br>1.062 | 3.25<br>.128 |
| 19         | 8LTO-19GUR   | 16.05<br>.632 | 2.48<br>.098 | 30.66<br>1.207 | 39.90<br>1.453 | 29.36<br>1.156 | 3.25<br>.128 |
| 21         | 8LTO-21GUR   | 15.29<br>.602 | 3.24<br>.128 | 33.83<br>1.332 | 40.10<br>1.579 | 31.75<br>1.250 | 3.25<br>.128 |
| 23         | 8LTO-23GUR   | 15.29<br>.602 | 3.24<br>.128 | 37.00<br>1.457 | 43.25<br>1.703 | 34.93<br>1.375 | 3.73<br>.147 |
| 25         | 8LTO-25GUR   | 15.29<br>.602 | 3.24<br>.128 | 40.18<br>1.582 | 46.50<br>1.831 | 38.10<br>1.500 | 3.73<br>.147 |



## Plastic protective caps

| shell size | part numbers         |                |
|------------|----------------------|----------------|
|            | caps for receptacles | caps for plugs |
| 09         | 8500-5594            | 8500-5595      |
| 11         | 8500-5595            | 8500-5588      |
| 13         | 8500-5598            | 70205          |
| 15         | 8500-5599            | 70206          |
| 17         | 8500-5600            | 70207          |
| 19         | 8500-5601            | 8500-5589      |
| 21         | 8500-5602            | 8500-5590      |
| 23         | 8500-5592            | 8500-5591      |
| 25         | 8500-5593            | 70602          |



## Gaskets

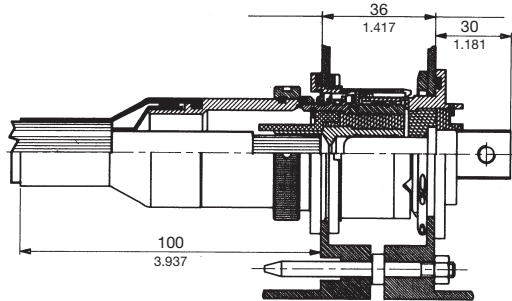
| shell size | part numbers                                       |                             |
|------------|--|-----------------------------|
|            | gasket for receptacles type 0 (ordered separately) | O ring for receptacle type7 |
| 09         | 8599-5541  | MS9068-019                  |
| 11         | 8599-5542  | MS9068-022                  |
| 13         | 8599-5543  | MS9068-024                  |
| 15         | 8599-5544  | MS9068-026                  |
| 17         | 8599-5545  | MS9068-028                  |
| 19         | 8599-5546  | MS9068-128                  |
| 21         | 8599-5547  | MS9068-130                  |
| 23         | 8599-5548  | MS9068-132                  |
| 25         | 8599-5549  | MS9068-134                  |

# 8LT Series

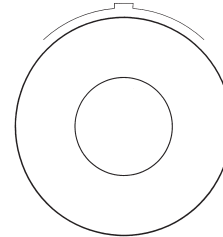


## Rack and panel connectors

Mated connector shell size 23



Layout 01



1 Ø12

SN2550

basic series  
HE 308 basic series

SN 2550  
HE 308

-26 T 23 -01 P N 7 M •

**shell type** 26 - floating plug for rack, for crimp female contacts, with possibility to mount rear accessory  
27 - receptacle for rack, for male contacts with possibility to mount rear accessory

**class** T - sealed

**shell size** - please consult us

**contact layout** - please consult us

**contact type** P - male contact S - female contact

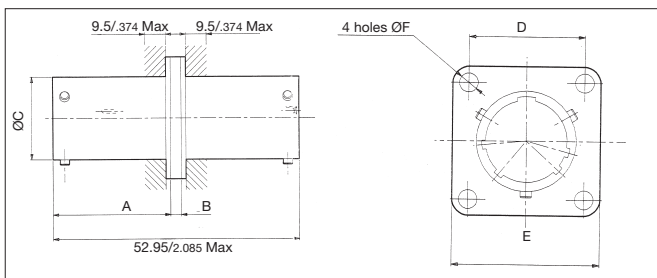
**polarization** N - normal

**plating** 7 - olive green cadmium

**contractual specification** M - DAT quality assurance

**specification** - - connector supplied with contact (without specification)  
L - connector supplied without contact

## Through-bulkhead receptacle - pin/socket



basic series SN1568-08 T •••• P N SN 7

through bulkhead receptacle

class T - sealed

shell size 09-11-13-15-17-19-21-23-25

contact layout - please consult us

male contact/polarization

female contact/polarization

plating 7 - olive green cadmium

| shell size | A Max          | B Max        | C Max          | D              | E Max          | F Max        |
|------------|----------------|--------------|----------------|----------------|----------------|--------------|
| 09         | 25.40<br>1.000 | 2.50<br>.098 | 14.56<br>.573  | 18.26<br>.719  | 24.34<br>.958  | 3.50<br>.138 |
| 11         | 25.40<br>1.000 | 2.50<br>.098 | 17.81<br>.701  | 20.62<br>.812  | 26.70<br>1.051 | 3.50<br>.138 |
| 13         | 25.40<br>1.000 | 2.50<br>.098 | 21.62<br>.851  | 23.01<br>.906  | 29.09<br>1.145 | 3.50<br>.138 |
| 15         | 25.40<br>1.000 | 2.50<br>.098 | 24.80<br>.976  | 24.61<br>.969  | 31.47<br>1.239 | 3.50<br>.138 |
| 17         | 25.40<br>1.000 | 2.50<br>.098 | 27.97<br>1.101 | 26.97<br>1.062 | 33.83<br>1.332 | 3.50<br>.138 |
| 19         | 25.40<br>1.000 | 2.50<br>.098 | 30.69<br>1.208 | 29.36<br>1.156 | 37.04<br>1.458 | 3.50<br>.138 |
| 21         | 25.10<br>.988  | 3.25<br>.128 | 33.86<br>1.333 | 31.75<br>1.250 | 40.18<br>1.582 | 3.98<br>.157 |
| 23         | 25.10<br>.988  | 3.25<br>.128 | 37.04<br>1.458 | 34.93<br>1.375 | 43.39<br>1.708 | 3.98<br>.157 |
| 25         | 25.10<br>.988  | 3.25<br>.128 | 40.21<br>1.583 | 38.10<br>1.500 | 46.53<br>1.832 | 3.98<br>.157 |



# 8T Series

## Applications

Compact profile and high density connectors for all military and aeronautical purposes

## Standards

MIL-C 38999 Series II - QPL approved  
 NFC 93422 HE 309  
 VG 96912 series II  
 PAN 6433-1  
 BS 9522 N 003



## Description

- High density connectors from 1 to 128 contacts
- Sizes 22D, 20, 16, 12
- A compact profile
- Bayonet locking system
- An excellent shock vibration and fluid resistance

## Characteristics

### Mechanical

- Shell : aluminum alloy
- Plating :
  - olive green cadmium (G and B)
  - nickel (F) - hard anodized (C)
- Insulator : thermoplastic
- Grommet and seal : silicone elastomer
- Contact : copper alloy
- Plating : gold over nickel
- Endurance :
  - 500 mating/unmating operations
- Shock : 300 g during 3 ms
- Vibration :
  - random 100 to 1000 Hz - 1 g<sup>2</sup>/Hz
- Contact retention (mini force in N) :
  - size 22D : 44 N size 20 : 67 N
  - size 16 : 110 N size 12 : 110 N

### Electrical

- Test voltage (Vrms)

| Service | sea level | at 21000 m |
|---------|-----------|------------|
| M       | 1300      | 800        |
| I       | 1800      | 1000       |
| II      | 2300      | 1000       |

- Contact resistance :
  - size 22 D : 14.6 mΩ size 16 : 3.8 mΩ
  - size 20 : 7.3 mΩ
- Insulation resistance :
  - ≥ 5000 MΩ (at 500 Vdc)
- Contact rating :
  - size 22 D : 5 A size 16 : 13 A
  - size 20 : 7.5 A size 12 : 23 A
- Shell continuity :
  - olive green plating : 2.5 mΩ
  - nickel plating : 1 mΩ

### Climatic

- Temperature range :
  - cadmium plating (G) -65°C +175°C
  - (B) -65°C +175°C
  - nickel plating (F) -65°C +200°C
  - hard anodized (C) -65°C +200°C
- Sealing : mated connectors
  - differential pressure 1 bar ; leakage ≤ 8 cm<sup>3</sup>/hr
- Salt spray to :
  - MIL-STD 1344 method 1001
  - 500 hours (plating B)
  - 48 hours (plating F-C)
  - NFC 93422
  - 48 hours (plating G-F-C)
- Damp heat :
  - MIL-C 38999 : 10 cycles (24 hours)
  - NFC 93422 : 56 days

### Resistance to fluids

To MIL-L 38999 :  
 MIL-L 7808, MIL-L 23699, MIL-H 5606,  
 MIL-A 8243, MIL-L 25769, MIL-G 3056,  
 MIL-T 5624 (JP5) ; hydraulic fluids ; solvents  
 To NFC 93422 :  
 F 46, F 54, 0/180, H 515, H 542, XH 45

## Ordering information

### FCI Souriau - Part numbers

| basic series   | 8 T                                       |  | 3 | -  | 14 | G   | 35 | P   | N |        |
|----------------|---|--|---|--|----|---|----|---|---|--------|
| shell type     | 2   | - square flange receptacle not accepting backshells  | 3 | - square flange receptacle (rear mounting)               | 7  | - jam nut receptacle                                      | 1  | - cable connecting receptacle                               | 6 | - plug |
| designator     | - connectors with standard crimp contacts |  |   |  |    |   |    |   |   |        |
|                | L   | - receptacle with long spill (male and female # 22D) | C | - receptacle with short spill (male # 22D - # 20 - # 16) |    |   |    |   |   |        |
| shell size     | 08-10-12-14-16-18-20-22-24                |  |   |  |    |   |    |   |   |        |
| plating        | G   | - olive green cadmium (HE 309)                       | F | - nickel   | B  | - olive green cadmium (MIL-C 38999)                       | C  | - hard anodized   |   |        |
| contact layout | - see table p 120                         |  |   |  |    |   |    |   |   |        |
| contact type   | P   | - male   | S | - female   | A  | - male connector without contact or with special contacts | B  | - female connector without contact or with special contacts |   |        |
| polarization   | N-A-B-C-D - see table p 100               |  |   |  |    |   |    |   |   |        |

Note : connectors supplied with standard contacts

# 8T Series



## MIL-C 38999 Series II

|                       |  |              |   |           |   |           |          |          |
|-----------------------|--|--------------|---|-----------|---|-----------|----------|----------|
| <b>basic series</b>   | <b>MS</b>  | <b>27497</b> | <b>T</b>  | <b>14</b> | <b>B</b>  | <b>35</b> | <b>P</b> | <b>•</b> |
| <b>shell type</b>     | <b>27508</b> - square flange receptacle without thread for back fitting<br><b>27497</b> - square flange receptacle (rear mounting)<br><b>27474</b> - jam nut receptacle<br><b>27473</b> - plug |              |   |           |   |           |          |          |
| <b>class</b>          | <b>T</b> - with thread for backshell, supplied without backshell<br><b>E</b> - without thread for backshell only for MS 27508  |              |   |           |   |           |          |          |
| <b>shell size</b>     | <b>08-10-12-14-16-18-20-22-24</b>  |              |   |           |   |           |          |          |
| <b>plating</b>        | <b>B</b> - olive green cadmium   |              | <b>F</b> - nickel   |           | <b>C</b> - hard anodized  |           |          |          |
| <b>contact layout</b> | - see table p 120  |              |   |           |   |           |          |          |
| <b>contact type</b>   | <b>P</b> - male  |              | <b>A</b> - male connector supplied without contact or with special contacts |           | <b>B</b> - female connector supplied without contact or with special contacts |           |          |          |
| <b>polarization</b>   | <b>S</b> - female  |              |   |           |   |           |          |          |
| <b>polarization</b>   | <b>N</b> - Normal (not included in part number)<br><b>A-B-C-D</b> - see table p 100  |              |   |           |   |           |          |          |

## backshells

|                       |   |     |     |     |     |                               |     |     |     |             |            |          |           |
|-----------------------|---|-----|-----|-----|-----|-------------------------------|-----|-----|-----|-------------|------------|----------|-----------|
| <b>basic series</b>   |   |     |     |     |     |                               |     |     |     | <b>8LST</b> | <b>104</b> | <b>G</b> | <b>01</b> |
| <b>shell size</b>     | 08  | 10  | 12  | 14  | 16  | 18                            | 20  | 22  | 24  |             |            |          |           |
| <b>index number</b>   | 101   | 102 | 103 | 104 | 105 | 106                           | 107 | 108 | 109 |             |            |          |           |
| <b>plating</b>        | <b>B</b> - olive green cadmium (MIL. C 38999) |     |     |     |     |                               |     |     |     |             |            |          |           |
|                       | <b>F</b> - nickel                             |     |     |     |     |                               |     |     |     |             |            |          |           |
| <b>backshell type</b> | <b>01</b> - backnut                           |     |     |     |     | <b>03</b> - elbow cable clamp |     |     |     |             |            |          |           |
|                       | <b>02</b> - straight cable clamp              |     |     |     |     |                               |     |     |     |             |            |          |           |

## Cross reference list - part numbers cross reference list FCI Souriau and MIL-C 38999 NFC 93422 - PAN 6433-1

|   | FCI Souriau       | MIL-C 38999 Series II | NFC 93422 / HE 309        | PAN 6433-1              |
|---|-------------------|-----------------------|---------------------------|-------------------------|
| Square flange receptacle<br>without thread for back fitting | 8T2 - •• G •• P □ |                       | HE 309-05T •• - •• P □ 7  | PAN 6433-1E •• - •• P □ |
|   | 8T2 - •• G •• A □ |                       | HE 309-05T •• - •• P □ 7L |                         |
|   | 8T2 - •• G •• S □ |                       | HE 309-05T •• - •• S □ 7  | PAN 6433-1E •• - •• S □ |
|   | 8T2 - •• G •• B □ |                       | HE 309-05T •• - •• S □ 7L |                         |
|   | 8T2 - •• B •• P □ | MS27508E •• B •• P □  |                           |                         |
|   | 8T2 - •• B •• A □ | MS27508E •• B •• A □  |                           |                         |
|   | 8T2 - •• B •• S □ | MS27508E •• B •• S □  |                           |                         |
|   | 8T2 - •• B •• B □ | MS27508E •• B •• B □  |                           |                         |
|   | 8T2 - •• F •• P □ | MS27508E •• F •• P □  | HE 309-05T •• - •• P □ 6  |                         |
|   | 8T2 - •• F •• A □ | MS27508E •• F •• A □  | HE 309-05T •• - •• P □ 6L |                         |
|   | 8T2 - •• F •• S □ | MS27508E •• F •• S □  | HE 309-05T •• - •• S □ 6  |                         |
|   | 8T2 - •• F •• B □ | MS27508E •• F •• B □  | HE 309-05T •• - •• S □ 6L |                         |
|   | 8T2 - •• C •• P □ | MS27508E •• C •• P □  | HE 309-05T •• - •• P □ 8  |                         |
|   | 8T2 - •• C •• A □ | MS27508E •• C •• A □  | HE 309-05T •• - •• P □ 8L |                         |
|   | 8T2 - •• C •• S □ | MS27508E •• C •• S □  | HE 309-05T •• - •• S □ 8  |                         |
|   | 8T2 - •• C •• B □ | MS27508E •• C •• B □  | HE 309-05T •• - •• S □ 8L |                         |
| Square flange receptacle<br>with thread for back fitting    | 8T3 - •• G •• P □ |                       | HE 309-03T •• - •• P □ 7  | PAN 6433-1B •• - •• P □ |
|   | 8T3 - •• G •• A □ |                       | HE 309-03T •• - •• P □ 7L |                         |
|   | 8T3 - •• G •• S □ |                       | HE 309-03T •• - •• S □ 7  | PAN 6433-1B •• - •• S □ |
|   | 8T3 - •• G •• B □ |                       | HE 309-03T •• - •• S □ 7L |                         |
|   | 8T3 - •• B •• P □ | MS27497T •• B •• P □  |                           |                         |
|   | 8T3 - •• B •• A □ | MS27497T •• B •• A □  |                           |                         |
|   | 8T3 - •• B •• S □ | MS27497T •• B •• S □  |                           |                         |
|   | 8T3 - •• B •• B □ | MS27497T •• B •• B □  |                           |                         |
|   | 8T3 - •• F •• P □ | MS27497T •• F •• P □  | HE 309-03T •• - •• P □ 6  |                         |
|   | 8T3 - •• F •• A □ | MS27497T •• F •• A □  | HE 309-03T •• - •• P □ 6L |                         |
|   | 8T3 - •• F •• S □ | MS27497T •• F •• S □  | HE 309-03T •• - •• S □ 6  |                         |
|   | 8T3 - •• F •• B □ | MS27497T •• F •• B □  | HE 309-03T •• - •• S □ 6L |                         |
|   | 8T3 - •• C •• P □ | MS27497T •• C •• P □  | HE 309-03T •• - •• P □ 8  |                         |
|   | 8T3 - •• C •• A □ | MS27497T •• C •• A □  | HE 309-03T •• - •• P □ 8L |                         |
|   | 8T3 - •• C •• S □ | MS27497T •• C •• S □  | HE 309-03T •• - •• S □ 8  |                         |
|   | 8T3 - •• C •• B □ | MS27497T •• C •• B □  | HE 309-03T •• - •• S □ 8L |                         |



# 8T Series



## Cross reference list - FCI Souriau part numbers and MIL-C 38999, NFC 93422 - PAN 6433-1 standard

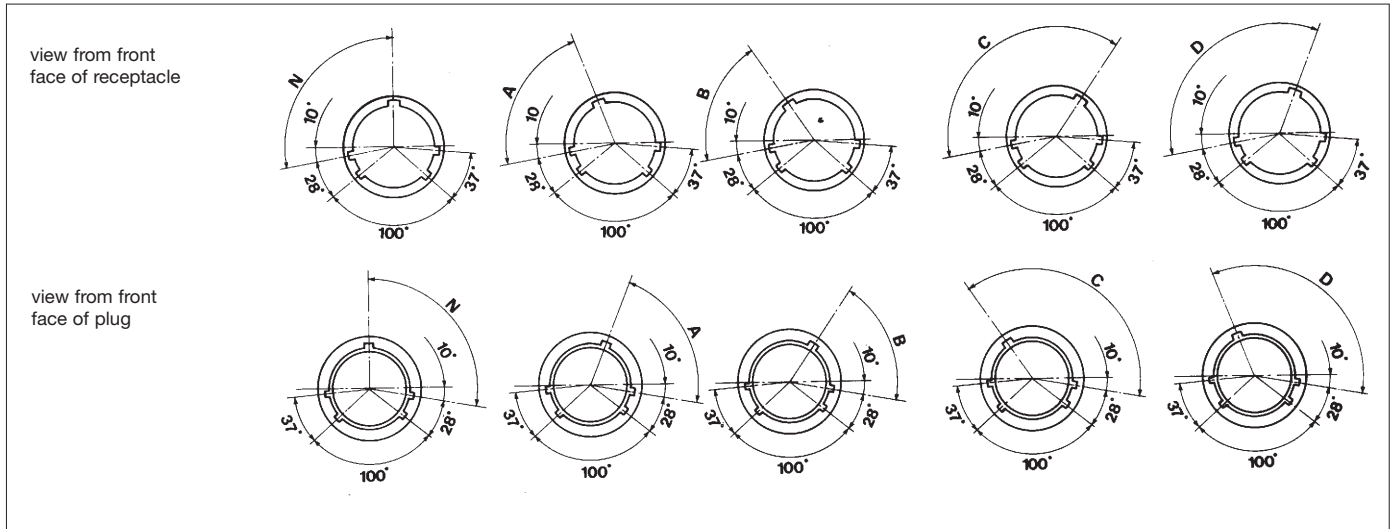
|                                 | FCI Souriau  | MIL-C 38999 Series II  | NFC 93422 / HE 309   | PAN 6433-1   |
|---------------------------------|--|--|--|--|
| Jam nut receptacle              | 8T7 - ●● G ●● P □<br>8T7 - ●● G ●● A □<br>8T7 - ●● G ●● S □<br>8T7 - ●● G ●● B □<br>8T7 - ●● B ●● P □<br>8T7 - ●● B ●● A □<br>8T7 - ●● B ●● S □<br>8T7 - ●● B ●● B □<br>8T7 - ●● F ●● P □<br>8T7 - ●● F ●● A □<br>8T7 - ●● F ●● S □<br>8T7 - ●● F ●● B □<br>8T7 - ●● C ●● P □<br>8T7 - ●● C ●● A □<br>8T7 - ●● C ●● S □<br>8T7 - ●● C ●● B □ | MS27474T ●● B ●● P □<br>MS27474T ●● B ●● A □<br>MS27474T ●● B ●● S □<br>MS27474T ●● B ●● B □<br>MS27474T ●● F ●● P □<br>MS27474T ●● F ●● A □<br>MS27474T ●● F ●● S □<br>MS27474T ●● F ●● B □<br>MS27474T ●● C ●● P □<br>MS27474T ●● C ●● A □<br>MS27474T ●● C ●● S □<br>MS27474T ●● C ●● B □ | HE 309-07T ●● - ●● P □ 7<br>HE 309-07T ●● - ●● P □ 7L<br>HE 309-07T ●● - ●● S □ 7<br>HE 309-07T ●● - ●● S □ 7L<br>HE 309-07T ●● - ●● P □ 6<br>HE 309-07T ●● - ●● P □ 6L<br>HE 309-07T ●● - ●● S □ 6<br>HE 309-07T ●● - ●● S □ 6L<br>HE 309-07T ●● - ●● P □ 8<br>HE 309-07T ●● - ●● P □ 8L<br>HE 309-07T ●● - ●● S □ 8<br>HE 309-07T ●● - ●● S □ 8L | PAN 6433-1A ●● - ●● P □<br>PAN 6433-1A ●● - ●● S □ |
| Cable connecting receptacle     | 8T1 - ●● G ●● P □<br>8T1 - ●● G ●● A □<br>8T1 - ●● G ●● S □<br>8T1 - ●● G ●● B □<br>8T1 - ●● B ●● P □<br>8T1 - ●● B ●● A □<br>8T1 - ●● B ●● S □<br>8T1 - ●● B ●● B □<br>8T1 - ●● F ●● P □<br>8T1 - ●● F ●● A □<br>8T1 - ●● F ●● S □<br>8T1 - ●● F ●● B □<br>8T1 - ●● C ●● P □<br>8T1 - ●● C ●● A □<br>8T1 - ●● C ●● S □<br>8T1 - ●● C ●● B □ |  |  |  |
| Plug without RFI shielding      | 8T6 - ●● G ●● P □<br>8T6 - ●● G ●● A □<br>8T6 - ●● G ●● S □<br>8T6 - ●● G ●● B □<br>8T6 - ●● B ●● P □<br>8T6 - ●● B ●● A □<br>8T6 - ●● B ●● S □<br>8T6 - ●● B ●● B □<br>8T6 - ●● F ●● P □<br>8T6 - ●● F ●● A □<br>8T6 - ●● F ●● S □<br>8T6 - ●● F ●● B □<br>8T6 - ●● C ●● P □<br>8T6 - ●● C ●● A □<br>8T6 - ●● C ●● S □<br>8T6 - ●● C ●● B □ | MS27473T ●● B ●● P □<br>MS27473T ●● B ●● A □<br>MS27473T ●● B ●● S □<br>MS27473T ●● B ●● B □<br>MS27473T ●● F ●● P □<br>MS27473T ●● F ●● A □<br>MS27473T ●● F ●● S □<br>MS27473T ●● F ●● B □<br>MS27473T ●● C ●● P □<br>MS27473T ●● C ●● A □<br>MS27473T ●● C ●● S □<br>MS27473T ●● C ●● B □ | HE 309-06T ●● - ●● P □ 7<br>HE 309-06T ●● - ●● P □ 7L<br>HE 309-06T ●● - ●● S □ 7<br>HE 309-06T ●● - ●● S □ 7L<br>HE 309-06T ●● - ●● P □ 6<br>HE 309-06T ●● - ●● P □ 6L<br>HE 309-06T ●● - ●● S □ 6<br>HE 309-06T ●● - ●● S □ 6L<br>HE 309-06T ●● - ●● P □ 8<br>HE 309-06T ●● - ●● P □ 8L<br>HE 309-06T ●● - ●● S □ 8<br>HE 309-06T ●● - ●● S □ 8L | PAN 6433-1F ●● - ●● P □<br>PAN 6433-1F ●● - ●● S □ |
| Contacts - filler plugs - tools | 8599-0902<br>8599-0903<br>8599-0904<br>8599-0905<br>8599-0910<br>8599-0911<br>8599-0912<br>8599-0913<br>8660-212<br>8522-389A<br>8522-390A<br>8599-0022<br>8522-20<br>8522-16  | M39029/58-360<br>M39029/58-363<br>M39029/58-364<br>M39029/58-365<br>M39029/57-354<br>M39029/57-357<br>M39029/57-358<br>M39029/57-359<br>M27488-22<br>M27488-20<br>M27488-16<br>M81969/14-01<br>M81969/14-02<br>M81969/14-03  |  | PAN 6433-1P<br>PAN 6433-1S<br>PAN 6433-1N          |
| Backshells                      | 8LST ●●● G01<br>8LST ●●● B01<br>8LST ●●● F01   | M85049/27 ●● W<br>M85049/27 ●● N   | HE 309-17 ●● 7<br>HE 309-17 ●● 6   |  |

# 8T Series



## Polarization

Polarization is determined by the master keyway position. The secondary keyway positions remain fixed.



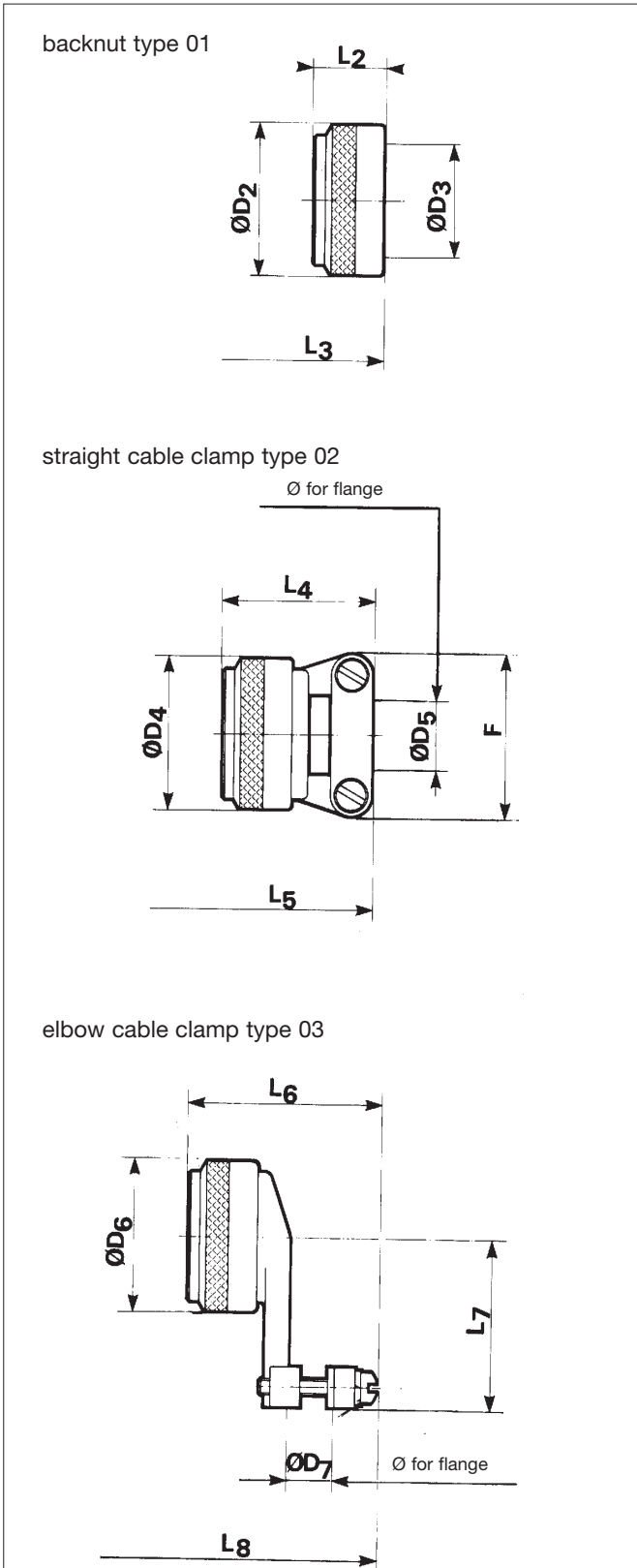
| shell size | contacts layout | service |   |    | number of contacts |             |               |               | angle in degrees |    |    |     |     |
|------------|-----------------|---------|---|----|--------------------|-------------|---------------|---------------|------------------|----|----|-----|-----|
|            |                 | M       | I | II | # 22D<br>Ø 0,76    | # 20<br>Ø 1 | # 16<br>Ø 1,6 | # 12<br>Ø 2,4 | N                | A  | B  | C   | D   |
| 08         | 35              | X       |   |    | 6                  |             |               |               | 100              | 82 | -  | -   | 118 |
| 10         | 35              | X       |   |    | 13                 |             |               |               | 100              | 86 | 72 | 128 | 114 |
| 12         | 35              | X       |   |    |                    |             |               |               | 100              | 80 | 68 | 132 | 120 |
| 14         | 35              | X       |   |    | 37                 |             |               |               | 100              | 79 | 66 | 134 | 121 |
|            | 18              |         | X |    |                    | 18          |               |               | 100              | 79 | 66 | 134 | 121 |
| 16         | 35              | X       |   |    | 55                 |             |               |               | 100              | 82 | 70 | 130 | 118 |
|            | 08              |         |   | X  |                    |             | 8             |               | 100              | 82 | 70 | 130 | 118 |
|            | 06              |         | X |    |                    |             |               | 6             | 100              | 82 | 70 | 130 | 118 |
| 18         | 35              | X       |   |    | 66                 |             |               |               | 100              | 82 | 70 | 130 | 118 |
| 20         | 35              | X       |   |    | 79                 |             |               |               | 100              | 82 | 70 | 130 | 118 |
|            | 41              |         | X |    |                    | 41          |               |               | 100              | 82 | 70 | 130 | 118 |
|            | 16              |         |   | X  |                    |             | 16            |               | 100              | 82 | 70 | 130 | 118 |
|            | 11              |         |   | X  |                    |             |               | 11            | 100              | 82 | 70 | 130 | 118 |
| 22         | 35              | X       |   |    | 100                |             |               |               | 100              | 85 | 74 | 126 | 115 |
| 24         | 35              | X       |   |    | 128                |             |               |               | 100              | 85 | 74 | 126 | 115 |
|            | 61              |         | X |    |                    | 61          |               |               | 100              | 85 | 74 | 126 | 115 |
|            | 29              |         | X |    |                    |             | 29            |               | 100              | 85 | 74 | 126 | 115 |
|            | 24              |         | X |    |                    |             | 12            | 12            | 100              | 85 | 74 | 126 | 115 |

# 8T Series

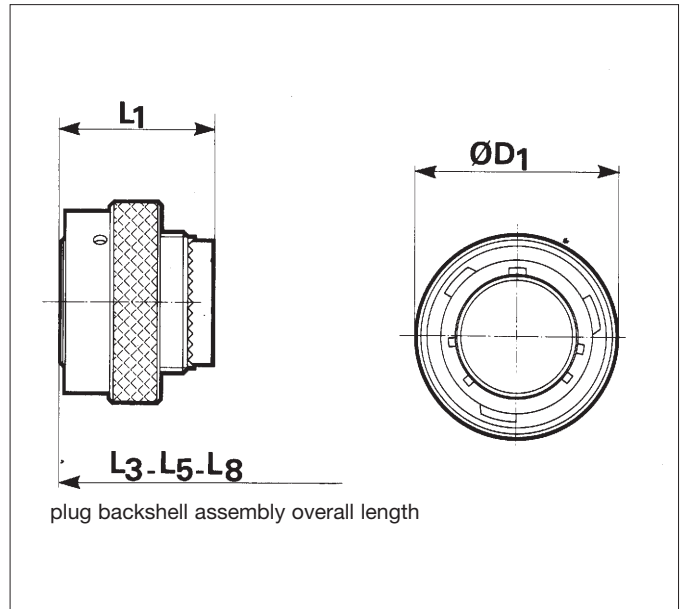


## Dimensions

### backshells



### plug type 6



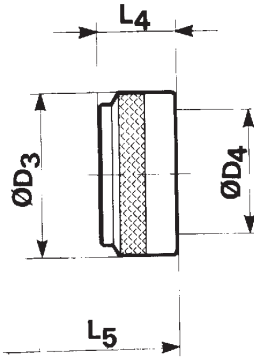
| shell size | 08           | 10             | 12             | 14             | 16             | 18             | 20             | 22             | 24             |
|------------|--------------|----------------|----------------|----------------|----------------|----------------|----------------|----------------|----------------|
| D 1        | Max<br>.750  | 19.05<br>.859  | 21.82<br>1.031 | 26.19<br>1.156 | 29.36<br>1.281 | 32.54<br>1.406 | 35.71<br>1.531 | 38.89<br>1.641 | 41.68<br>1.766 |
| L1         | Max<br>.916  | 23.27<br>.916  | 23.27<br>.916  | 23.27<br>.916  | 23.27<br>.916  | 23.27<br>.916  | 23.27<br>.916  | 23.27<br>.916  | 25.00<br>.984  |
| D2         | Max<br>.617  | 15.67<br>.734  | 18.64<br>.858  | 21.79<br>.984  | 24.99<br>1.112 | 28.24<br>1.218 | 30.94<br>1.345 | 34.16<br>1.468 | 37.29<br>1.593 |
| D3         | Max<br>.274  | 6.96<br>.412   | 10.46<br>.526  | 13.36<br>.651  | 16.53<br>.776  | 19.71<br>.882  | 22.40<br>1.006 | 25.56<br>1.132 | 28.75<br>1.257 |
| L2         | Max<br>.445  | 11.30<br>.445  | 11.30<br>.445  | 11.30<br>.445  | 11.30<br>.445  | 11.30<br>.445  | 11.30<br>.445  | 11.30<br>.445  | 11.30<br>.445  |
| L3         | Max<br>.991  | 25.16<br>.991  | 25.16<br>.991  | 25.16<br>.991  | 25.16<br>.991  | 25.16<br>.991  | 25.16<br>.991  | 25.16<br>.991  | 27.14<br>1.069 |
| D4         | Max<br>.617  | 15.67<br>.734  | 18.64<br>.858  | 21.79<br>.984  | 24.99<br>1.112 | 28.24<br>1.218 | 30.94<br>1.345 | 34.16<br>1.468 | 37.29<br>1.593 |
| D5         | min<br>.055  | 1.40<br>.055   | 2.40<br>.094   | 5.60<br>.220   | 5.60<br>.220   | 8.80<br>.346   | 11.90<br>.469  | 15.10<br>.594  | 15.10<br>.594  |
|            | Max<br>.126  | 3.20<br>.189   | 4.80<br>.252   | 6.40<br>.374   | 9.50<br>.500   | 12.70<br>.626  | 15.90<br>.752  | 19.10<br>.874  | 22.20<br>1.000 |
| F          | Max<br>.828  | 21.03<br>.891  | 22.63<br>1.016 | 25.81<br>1.016 | 28.98<br>1.141 | 30.56<br>1.203 | 37.31<br>1.469 | 37.31<br>1.469 | 42.06<br>1.656 |
| L4         | Max<br>.875  | 22.22<br>.875  | 22.22<br>.875  | 22.22<br>.875  | 28.57<br>1.125 | 28.57<br>1.125 | 28.57<br>1.125 | 28.57<br>1.125 | 31.75<br>1.250 |
| L5         | Max<br>1.624 | 41.26<br>1.624 | 41.26<br>1.624 | 41.26<br>1.624 | 47.16<br>1.857 | 47.16<br>1.857 | 47.16<br>1.857 | 47.16<br>1.857 | 50.76<br>1.998 |
| D6         | Max<br>.617  | 15.67<br>.734  | 18.64<br>.858  | 21.79<br>.984  | 24.99<br>1.112 | 28.24<br>1.218 | 30.94<br>1.345 | 34.16<br>1.468 | 37.29<br>1.593 |
| D7         | min<br>.126  | 3.20<br>.157   | 4.00<br>.189   | 4.80<br>.217   | 5.50<br>.217   | 6.40<br>.252   | 7.90<br>.311   | 9.50<br>.374   | 10.30<br>.406  |
|            | Max<br>.252  | 6.40<br>.374   | 9.50<br>.437   | 11.10<br>.563  | 14.30<br>.563  | 15.90<br>.626  | 19.10<br>.752  | 22.20<br>.874  | 23.80<br>1.000 |
| L6         | Max<br>1.391 | 35.32<br>1.391 | 35.32<br>1.391 | 37.30<br>1.469 | 41.67<br>1.641 | 46.04<br>1.813 | 46.45<br>1.829 | 48.43<br>1.907 | 51.98<br>2.046 |
| L7         | Max<br>1.000 | 25.40<br>1.000 | 26.19<br>1.031 | 27.79<br>1.094 | 30.96<br>1.219 | 32.54<br>1.281 | 34.14<br>1.344 | 34.93<br>1.375 | 34.53<br>1.359 |
| L8         | Max<br>1.922 | 48.82<br>1.922 | 48.82<br>1.922 | 50.80<br>2.000 | 55.17<br>2.172 | 59.54<br>2.344 | 59.95<br>2.360 | 61.93<br>2.438 | 65.48<br>2.578 |
|            |              |                |                |                |                |                |                |                | 70.26<br>2.766 |

# 8T Series

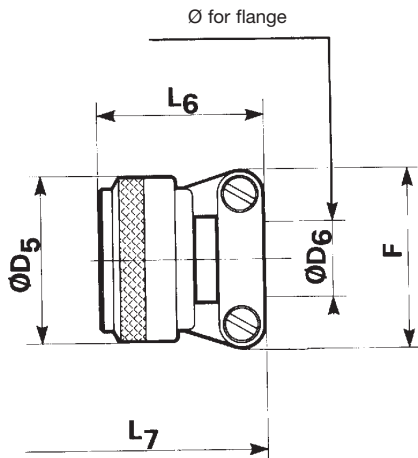


## backshells

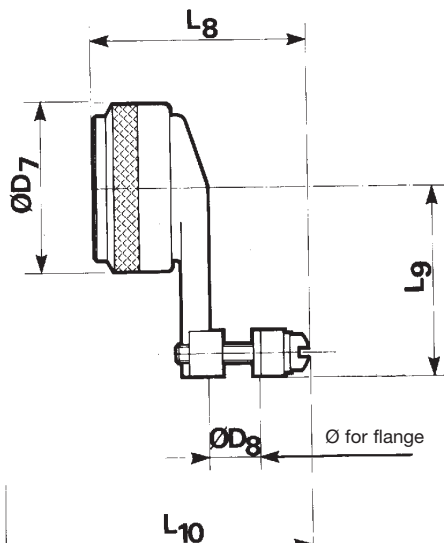
backnut type 01



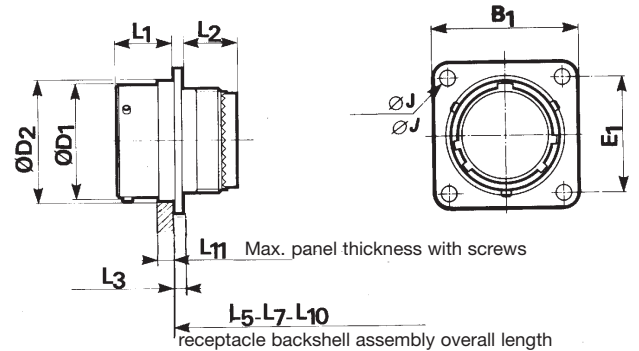
straight cable clamp type 02



elbow cable clamp type 03



## receptacle type 3



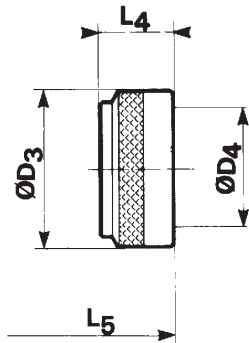
| shell size |     | 08             | 10             | 12             | 14             | 16             | 18             | 20             | 22             | 24             |
|------------|-----|----------------|----------------|----------------|----------------|----------------|----------------|----------------|----------------|----------------|
| B1         | Max | 21.03<br>.828  | 24.23<br>.954  | 26.59<br>1.047 | 28.98<br>1.141 | 31.34<br>1.234 | 33.73<br>1.328 | 36.91<br>1.453 | 40.08<br>1.578 | 43.26<br>1.703 |
|            | E1  | 15.09<br>.594  | 18.26<br>.719  | 20.62<br>.812  | 23.01<br>.906  | 24.61<br>.969  | 26.97<br>1.062 | 29.36<br>1.156 | 31.75<br>1.250 | 34.93<br>1.375 |
| D1         | Max | 12.04<br>.474  | 15.02<br>.591  | 19.08<br>.751  | 22.25<br>.876  | 25.43<br>1.001 | 28.61<br>1.126 | 31.78<br>1.251 | 34.95<br>1.376 | 38.13<br>1.501 |
|            | D2  | Max            | 13.89<br>.547  | 17.07<br>.672  | 21.44<br>.844  | 24.61<br>.969  | 27.79<br>1.094 | 30.96<br>1.219 | 34.14<br>1.344 | 37.31<br>1.469 |
| L1         | Max | 11.35<br>.447  | 11.35<br>.447  | 11.35<br>.447  | 11.35<br>.447  | 11.35<br>.447  | 11.35<br>.447  | 11.35<br>.447  | 11.35<br>.447  | 11.35<br>.447  |
|            | L2  | Max            | 12.27<br>.483  | 12.27<br>.483  | 12.27<br>.483  | 12.27<br>.483  | 12.27<br>.483  | 12.27<br>.483  | 12.27<br>.483  | 12.27<br>.483  |
| L3         | Max | 1.75<br>.069   | 1.75<br>.069   | 1.75<br>.069   | 1.75<br>.069   | 1.75<br>.069   | 1.75<br>.069   | 1.75<br>.069   | 1.75<br>.069   | 1.75<br>.069   |
|            | J   | Max            | 3.30<br>.130   | 3.30<br>.130   | 3.30<br>.130   | 3.30<br>.130   | 3.30<br>.130   | 3.30<br>.130   | 3.30<br>.130   | 3.30<br>.130   |
| D3         | Max | 15.67<br>.617  | 18.64<br>.734  | 21.79<br>.858  | 24.99<br>.984  | 28.24<br>1.112 | 30.94<br>1.218 | 34.16<br>1.345 | 37.29<br>1.468 | 40.46<br>1.593 |
|            | D4  | Max            | 6.96<br>.274   | 10.46<br>.412  | 13.36<br>.526  | 16.53<br>.651  | 19.71<br>.776  | 22.40<br>.882  | 25.56<br>1.006 | 28.75<br>1.132 |
| L4         | Max | 11.30<br>.445  | 11.30<br>.445  | 11.30<br>.445  | 11.30<br>.445  | 11.30<br>.445  | 11.30<br>.445  | 11.30<br>.445  | 11.30<br>.445  | 11.30<br>.445  |
|            | L5  | Max            | 15.63<br>.615  | 15.63<br>.615  | 15.63<br>.615  | 15.63<br>.615  | 15.63<br>.615  | 15.63<br>.615  | 15.63<br>.615  | 15.63<br>.615  |
| D5         | Max | 15.67<br>.617  | 18.64<br>.734  | 21.79<br>.858  | 24.99<br>.984  | 28.24<br>1.112 | 30.94<br>1.218 | 34.16<br>1.345 | 37.29<br>1.468 | 40.46<br>1.593 |
|            | min | 1.40<br>.055   | 1.40<br>.055   | 2.40<br>.094   | 5.60<br>.220   | 5.60<br>.220   | 8.80<br>.346   | 11.90<br>.469  | 15.10<br>.594  | 15.10<br>.594  |
| D6         | Max | 3.20<br>.126   | 4.80<br>.189   | 6.40<br>.252   | 9.50<br>.374   | 12.70<br>.500  | 15.90<br>.626  | 19.10<br>.752  | 22.20<br>.874  | 25.40<br>1.000 |
|            | F   | Max            | 21.03<br>.828  | 22.63<br>.891  | 25.81<br>1.016 | 28.98<br>1.141 | 30.56<br>1.203 | 37.31<br>1.469 | 37.31<br>1.469 | 42.06<br>1.656 |
| L6         | Max | 22.22<br>.875  | 22.22<br>.875  | 22.22<br>.875  | 28.57<br>1.125 | 28.57<br>1.125 | 28.57<br>1.125 | 28.57<br>1.125 | 31.75<br>1.250 | 31.75<br>1.250 |
|            | L7  | Max            | 31.73<br>1.249 | 31.73<br>1.249 | 31.73<br>1.249 | 37.68<br>1.483 | 37.68<br>1.483 | 37.68<br>1.483 | 37.68<br>1.483 | 41.23<br>1.623 |
| D7         | Max | 15.67<br>.617  | 18.64<br>.734  | 21.79<br>.858  | 24.99<br>.984  | 28.24<br>1.112 | 30.94<br>1.218 | 34.16<br>1.345 | 37.29<br>1.468 | 40.46<br>1.593 |
|            | min | 3.20<br>.126   | 4.00<br>.157   | 4.80<br>.189   | 5.50<br>.217   | 6.40<br>.252   | 7.90<br>.311   | 9.50<br>.374   | 10.30<br>.406  | 14.30<br>.563  |
| D8         | Max | 6.40<br>.252   | 9.50<br>.374   | 11.10<br>.437  | 14.30<br>.563  | 15.90<br>.626  | 19.10<br>.752  | 22.20<br>.874  | 23.80<br>.937  | 25.40<br>1.000 |
|            | L8  | Max            | 35.32<br>1.391 | 35.32<br>1.391 | 37.30<br>1.469 | 41.67<br>1.641 | 46.04<br>1.813 | 46.45<br>1.829 | 48.43<br>1.907 | 51.98<br>2.046 |
| L9         | Max | 25.40<br>1.000 | 26.19<br>1.031 | 27.79<br>1.094 | 30.96<br>1.219 | 32.54<br>1.281 | 34.14<br>1.344 | 34.93<br>1.375 | 36.53<br>1.438 | 43.66<br>1.719 |
|            | L10 | Max            | 39.29<br>1.547 | 39.29<br>1.547 | 42.27<br>1.664 | 45.64<br>1.797 | 50.01<br>1.969 | 50.42<br>1.985 | 52.40<br>2.063 | 55.95<br>2.203 |
| L11        | Max | 3.71<br>.146   | 3.71<br>.146   | 3.71<br>.146   | 3.71<br>.146   | 3.71<br>.146   | 3.71<br>.146   | 4.27<br>.168   | 4.27<br>.168   | 4.27<br>.168   |

# 8T Series

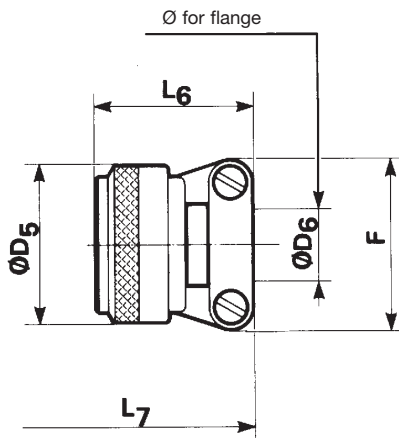


## Backshells

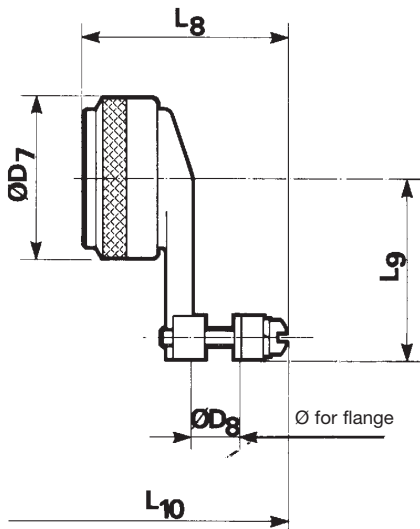
backnut type 01



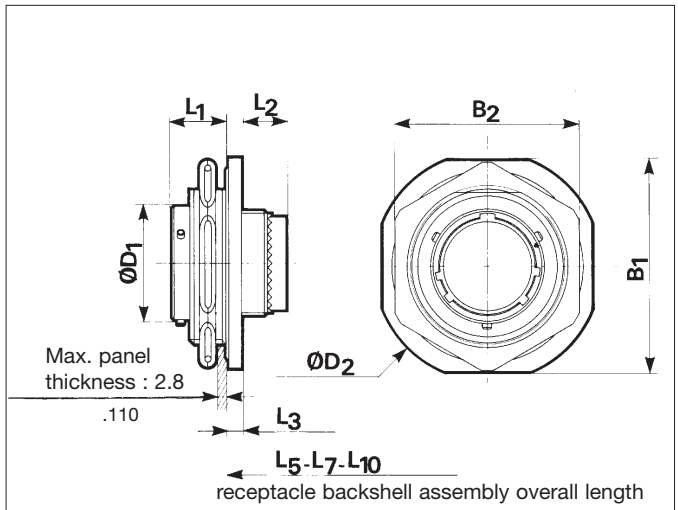
straight cable clamp type 02



elbow cable clamp type 03



## Receptacle type 7



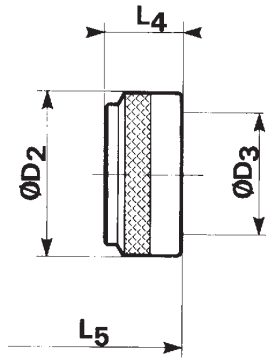
| shell size |     | 08    | 10    | 12    | 14    | 16    | 18    | 20    | 22    | 24    |
|------------|-----|-------|-------|-------|-------|-------|-------|-------|-------|-------|
| B1         | Max | 32.16 | 35.34 | 38.51 | 41.69 | 45.65 | 48.42 | 51.62 | 54.77 | 57.94 |
|            |     | 1.266 | 1.391 | 1.516 | 1.641 | 1.797 | 1.906 | 2.032 | 2.156 | 2.281 |
| B2         | Max | 27.40 | 30.61 | 33.75 | 36.96 | 40.10 | 43.31 | 46.45 | 51.23 | 54.41 |
|            |     | 1.079 | 1.205 | 1.329 | 1.455 | 1.579 | 1.705 | 1.829 | 2.017 | 2.142 |
| D1         | Max | 12.04 | 15.02 | 19.08 | 22.25 | 25.43 | 28.61 | 31.78 | 34.95 | 38.13 |
|            |     | .474  | .591  | .751  | .876  | 1.001 | 1.126 | 1.251 | 1.376 | 1.501 |
| D2         | Max | 35.34 | 38.51 | 41.69 | 44.86 | 49.64 | 51.62 | 54.79 | 57.94 | 61.12 |
|            |     | 1.391 | 1.516 | 1.641 | 1.766 | 1.954 | 2.032 | 2.157 | 2.281 | 2.406 |
| L1         | Max | 11.26 | 11.26 | 11.26 | 11.26 | 11.26 | 11.26 | 11.92 | 11.92 | 11.92 |
|            |     | .443  | .443  | .443  | .443  | .443  | .443  | .469  | .469  | .469  |
| L2         | Max | 12.55 | 12.55 | 12.55 | 12.55 | 12.55 | 12.55 | 11.73 | 11.73 | 13.08 |
|            |     | .494  | .494  | .494  | .494  | .494  | .494  | .462  | .462  | .515  |
| L3         | Max | 2.67  | 2.67  | 2.67  | 2.67  | 2.67  | 2.67  | 2.67  | 2.67  | 2.67  |
|            |     | .105  | .105  | .105  | .105  | .105  | .105  | .105  | .105  | .105  |
| D3         | Max | 15.67 | 18.64 | 21.79 | 24.99 | 28.24 | 30.94 | 34.16 | 37.29 | 40.46 |
|            |     | .617  | .734  | .858  | .984  | 1.112 | 1.218 | 1.345 | 1.468 | 1.593 |
| D4         | Max | 6.96  | 10.46 | 13.36 | 16.53 | 19.71 | 22.40 | 25.56 | 28.75 | 31.93 |
|            |     | .274  | .412  | .526  | .651  | .776  | .882  | 1.006 | 1.132 | 1.257 |
| L4         | Max | 11.30 | 11.30 | 11.30 | 11.30 | 11.30 | 11.30 | 11.30 | 11.30 | 11.30 |
|            |     | .445  | .445  | .445  | .445  | .445  | .445  | .445  | .445  | .445  |
| L5         | Max | 14.44 | 14.44 | 14.44 | 14.44 | 14.44 | 14.44 | 13.62 | 13.62 | 15.22 |
|            |     | .569  | .569  | .569  | .569  | .569  | .569  | .536  | .536  | .592  |
| D5         | Max | 15.67 | 18.64 | 21.79 | 24.99 | 28.24 | 30.94 | 34.16 | 37.29 | 40.46 |
|            |     | .617  | .734  | .858  | .984  | 1.112 | 1.218 | 1.345 | 1.468 | 1.593 |
| D6         | min | 1.40  | 1.40  | 2.40  | 5.60  | 5.60  | 8.80  | 11.90 | 15.10 | 15.10 |
|            |     | .055  | .055  | .094  | .220  | .220  | .346  | .469  | .594  | .594  |
| D6         | Max | 3.20  | 4.80  | 6.40  | 9.50  | 12.70 | 15.90 | 19.10 | 22.20 | 25.40 |
|            |     | .126  | .189  | .252  | .374  | .500  | .626  | .752  | .874  | 1.000 |
| F          | Max | 21.03 | 22.63 | 25.81 | 28.98 | 30.56 | 37.31 | 37.31 | 42.06 | 44.45 |
|            |     | .828  | .891  | 1.016 | 1.141 | 1.203 | 1.469 | 1.469 | 1.656 | 1.750 |
| L6         | Max | 22.22 | 22.22 | 22.22 | 28.57 | 28.57 | 28.57 | 28.57 | 31.75 | 31.75 |
|            |     | .875  | .875  | .875  | 1.125 | 1.125 | 1.125 | 1.125 | 1.250 | 1.250 |
| L7         | Max | 30.54 | 30.54 | 30.54 | 36.44 | 36.44 | 36.44 | 35.62 | 39.22 | 38.82 |
|            |     | 1.202 | 1.202 | 1.202 | 1.435 | 1.435 | 1.435 | 1.402 | 1.544 | 1.528 |
| D7         | Max | 15.67 | 18.64 | 21.79 | 24.99 | 28.24 | 30.94 | 34.16 | 37.29 | 40.46 |
|            |     | .617  | .734  | .858  | .984  | 1.112 | 1.218 | 1.345 | 1.468 | 1.593 |
| D8         | min | 3.20  | 4.00  | 4.80  | 5.50  | 6.40  | 7.90  | 9.50  | 10.30 | 14.30 |
|            |     | .126  | .157  | .189  | .217  | .252  | .311  | .374  | .406  | .563  |
| D8         | Max | 6.40  | 9.50  | 11.10 | 14.30 | 15.90 | 19.10 | 22.20 | 23.80 | 25.40 |
|            |     | .252  | .374  | .437  | .563  | .626  | .752  | .874  | .937  | 1.000 |
| L8         | Max | 35.32 | 35.32 | 37.30 | 41.67 | 46.04 | 46.45 | 48.43 | 51.98 | 54.78 |
|            |     | 1.391 | 1.391 | 1.469 | 1.641 | 1.813 | 1.829 | 1.907 | 2.046 | 2.157 |
| L9         | Max | 25.40 | 26.19 | 27.79 | 30.96 | 32.54 | 34.14 | 34.93 | 36.53 | 43.66 |
|            |     | 1.000 | 1.031 | 1.094 | 1.219 | 1.281 | 1.344 | 1.375 | 1.438 | 1.719 |
| L10        | Max | 38.10 | 38.10 | 40.08 | 44.45 | 48.82 | 49.23 | 50.39 | 53.94 | 58.34 |
|            |     | 1.500 | 1.500 | 1.578 | 1.750 | 1.922 | 1.938 | 1.984 | 2.124 | 2.297 |

# 8T Series

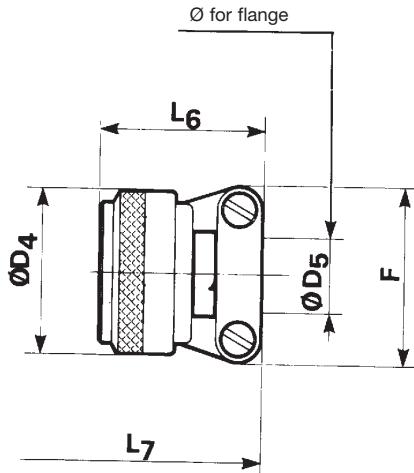


## Backshells

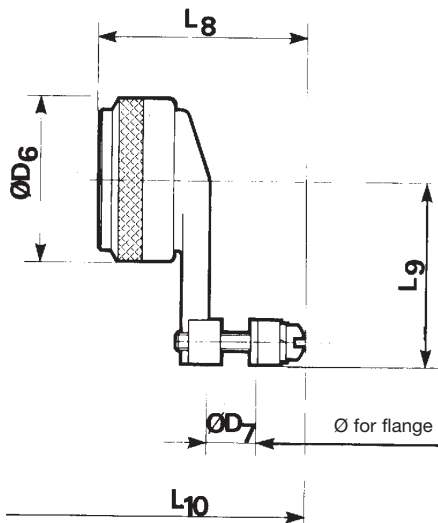
backnut type 01



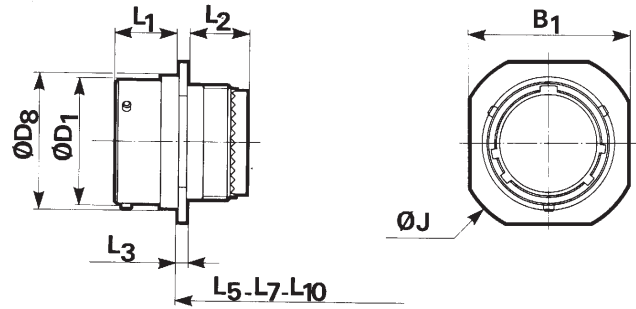
straight cable clamp type 02



elbow cable clamp type 03



## Cable connecting receptacle type 1



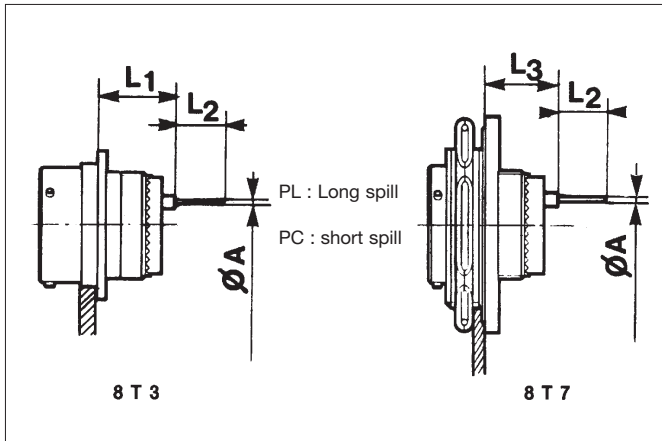
cable connecting receptacle backshell assembly overall length

| shell size |     | 08             | 10             | 12             | 14             | 16             | 18             | 20             | 22             | 24             |
|------------|-----|----------------|----------------|----------------|----------------|----------------|----------------|----------------|----------------|----------------|
| B1         | Max | 14.62<br>.576  | 18.92<br>.745  | 22.22<br>.875  | 25.62<br>1.009 | 27.82<br>1.095 | 31.35<br>1.234 | 34.62<br>1.363 | 38.02<br>1.497 | 42.02<br>1.654 |
|            | D1  | Max            | 12.04<br>.474  | 15.02<br>.591  | 19.08<br>.751  | 22.25<br>.876  | 25.43<br>1.001 | 28.61<br>1.126 | 31.78<br>1.251 | 34.95<br>1.376 |
| D8         | Max | 13.89<br>.547  | 17.07<br>.672  | 21.44<br>.844  | 24.61<br>.969  | 27.79<br>1.094 | 30.96<br>1.219 | 34.14<br>1.344 | 37.31<br>1.469 | 40.49<br>1.594 |
|            | J   | Max            | 24.51<br>.965  | 27.60<br>1.087 | 30.04<br>1.183 | 32.43<br>1.277 | 34.82<br>1.371 | 37.21<br>1.465 | 40.36<br>1.589 | 43.56<br>1.715 |
| L1         | Max | 11.35<br>.447  | 11.35<br>.447  | 11.35<br>.447  | 11.35<br>.447  | 11.35<br>.447  | 11.35<br>.447  | 11.35<br>.447  | 11.35<br>.447  | 11.35<br>.447  |
|            | L2  | Max            | 12.27<br>.483  | 12.27<br>.483  | 12.27<br>.483  | 12.27<br>.483  | 12.27<br>.483  | 12.27<br>.483  | 12.27<br>.483  | 12.27<br>.483  |
| L3         | Max | 1.75<br>.069   | 1.75<br>.069   | 1.75<br>.069   | 1.75<br>.069   | 1.75<br>.069   | 1.75<br>.069   | 1.75<br>.069   | 1.75<br>.069   | 1.75<br>.069   |
|            | D2  | Max            | 15.67<br>.617  | 18.64<br>.734  | 21.79<br>.858  | 24.99<br>.984  | 28.24<br>1.112 | 30.94<br>1.218 | 34.16<br>1.345 | 37.29<br>1.468 |
| D3         | Max | 6.96<br>.274   | 10.46<br>.412  | 13.36<br>.526  | 16.53<br>.651  | 19.71<br>.776  | 22.40<br>.882  | 25.56<br>1.006 | 28.75<br>1.132 | 31.93<br>1.257 |
|            | L4  | Max            | 11.30<br>.445  | 11.30<br>.445  | 11.30<br>.445  | 11.30<br>.445  | 11.30<br>.445  | 11.30<br>.445  | 11.30<br>.445  | 11.30<br>.445  |
| L5         | Max | 15.63<br>.615  | 15.63<br>.615  | 15.63<br>.615  | 15.63<br>.615  | 15.63<br>.615  | 15.63<br>.615  | 15.63<br>.615  | 15.63<br>.615  | 17.61<br>.693  |
|            | D4  | Max            | 15.67<br>.617  | 18.64<br>.734  | 21.79<br>.858  | 24.99<br>.984  | 28.24<br>1.112 | 30.94<br>1.218 | 34.16<br>1.345 | 37.29<br>1.468 |
| D5         | min | 1.40<br>.055   | 1.40<br>.055   | 2.40<br>.094   | 5.60<br>.220   | 5.60<br>.220   | 8.80<br>.346   | 11.90<br>.469  | 15.10<br>.594  | 15.10<br>.594  |
|            | Max | 3.20<br>.126   | 4.80<br>.189   | 6.40<br>.252   | 9.50<br>.374   | 12.70<br>.500  | 15.90<br>.626  | 19.10<br>.752  | 22.20<br>.874  | 25.40<br>1.000 |
| F          | Max | 21.03<br>.828  | 22.63<br>.891  | 25.81<br>1.016 | 28.98<br>1.141 | 30.56<br>1.203 | 37.31<br>1.469 | 37.31<br>1.469 | 42.06<br>1.656 | 44.45<br>1.750 |
|            | L6  | Max            | 22.22<br>.875  | 22.22<br>.875  | 22.22<br>.875  | 28.57<br>1.125 | 28.57<br>1.125 | 28.57<br>1.125 | 28.57<br>1.125 | 31.75<br>1.250 |
| L7         | Max | 31.73<br>1.249 | 31.73<br>1.249 | 31.73<br>1.249 | 37.68<br>1.483 | 37.68<br>1.483 | 37.68<br>1.483 | 37.68<br>1.483 | 41.23<br>1.623 | 41.21<br>1.622 |
|            | D6  | Max            | 15.67<br>.617  | 18.64<br>.734  | 21.79<br>.858  | 24.99<br>.984  | 28.24<br>1.112 | 30.94<br>1.218 | 34.16<br>1.345 | 37.29<br>1.468 |
| D7         | min | 3.20<br>.126   | 4.00<br>.157   | 4.80<br>.189   | 5.50<br>.217   | 6.40<br>.252   | 7.90<br>.311   | 9.50<br>.374   | 10.30<br>.406  | 14.30<br>.563  |
|            | Max | 6.40<br>.252   | 9.50<br>.374   | 11.10<br>.437  | 14.30<br>.563  | 15.90<br>.626  | 19.10<br>.752  | 22.20<br>.874  | 23.80<br>.937  | 25.40<br>1.000 |
| L8         | Max | 35.32<br>1.391 | 35.32<br>1.391 | 37.30<br>1.469 | 41.67<br>1.641 | 46.04<br>1.813 | 46.45<br>1.829 | 48.43<br>1.907 | 51.98<br>2.046 | 54.78<br>2.157 |
|            | L9  | Max            | 25.40<br>1.000 | 26.19<br>1.031 | 27.79<br>1.094 | 30.96<br>1.219 | 32.54<br>1.281 | 34.14<br>1.344 | 34.93<br>1.375 | 36.53<br>1.438 |
| L10        | Max | 39.29<br>1.547 | 39.29<br>1.547 | 42.27<br>1.664 | 45.64<br>1.797 | 50.01<br>1.969 | 50.42<br>1.985 | 52.40<br>2.063 | 55.95<br>2.203 | 60.73<br>2.391 |

# 8T Series



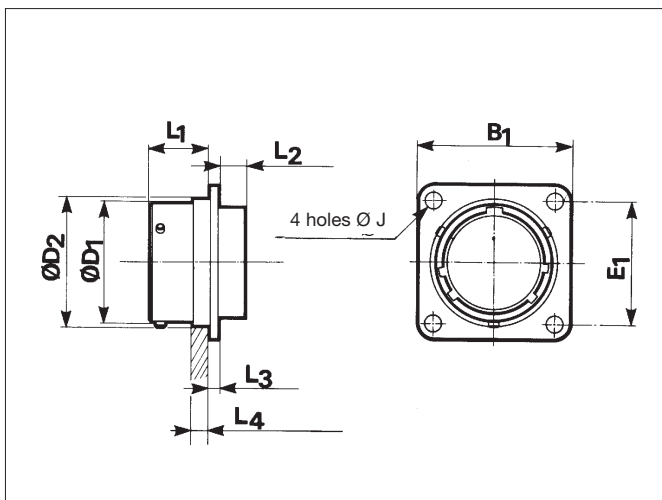
## Contacts



| Contact size | Contact type      | Part numbers |
|--------------|-------------------|--------------|
| 22D          | long spill male   | 8599-0720    |
|              | long spill female | 8599-7707    |
|              | short spill male  | 8599-0730    |
| 20           | short spill male  | 8599-0724    |
| 16           | short spill male  | 8599-0726    |

| shell size |                     | 08            | 10            | 12            | 14            | 16            | 18            | 20            | 22            | 24            |
|------------|---------------------|---------------|---------------|---------------|---------------|---------------|---------------|---------------|---------------|---------------|
| A          | #22D/#20            | 0.70<br>.028  | 0.70<br>.028  | 0.70<br>.028  | 0.70<br>.028  | 0.70<br>.028  | 0.70<br>.028  | 0.70<br>.028  | 0.70<br>.028  | 0.70<br>.028  |
|            | #16                 | 1.15<br>.045  | 1.15<br>.045  | 1.15<br>.045  | 1.15<br>.045  | 1.15<br>.045  | 1.15<br>.045  | 1.15<br>.045  | 1.15<br>.045  | 1.15<br>.045  |
| L1         | male #22D PC/PL     | 13.40<br>.528 | 13.40<br>.528 | 13.40<br>.528 | 13.40<br>.528 | 13.40<br>.528 | 13.40<br>.528 | 13.40<br>.528 | 13.40<br>.528 | 13.40<br>.528 |
|            | female #22D PL      | 13.40<br>.528 | 13.40<br>.528 | 13.40<br>.528 | 13.40<br>.528 | 13.40<br>.528 | 13.40<br>.528 | 13.40<br>.528 | 13.40<br>.528 | 13.40<br>.528 |
|            | male #20PC ; #16 PC | 13.57<br>.534 | 13.57<br>.534 | 13.57<br>.534 | 13.57<br>.534 | 13.57<br>.534 | 13.57<br>.534 | 13.57<br>.534 | 13.57<br>.534 | 13.57<br>.534 |
| L2         | PL #22D             | 8.50<br>.335  | 8.50<br>.335  | 8.50<br>.335  | 8.50<br>.335  | 8.50<br>.335  | 8.50<br>.335  | 8.50<br>.335  | 8.50<br>.335  | 8.50<br>.335  |
|            | PC #22D             | 4.00<br>.157  | 4.00<br>.157  | 4.00<br>.157  | 4.00<br>.157  | 4.00<br>.157  | 4.00<br>.157  | 4.00<br>.157  | 4.00<br>.157  | 4.00<br>.157  |
|            | PC #20 / PC #16     | 5.10<br>.201  | 5.10<br>.201  | 5.10<br>.201  | 5.10<br>.201  | 5.10<br>.201  | 5.10<br>.201  | 5.10<br>.201  | 5.10<br>.201  | 5.10<br>.201  |
| L3         | male #22D PC/PL     | 13.61<br>.536 | 13.61<br>.536 | 13.61<br>.536 | 13.61<br>.536 | 13.61<br>.536 | 13.61<br>.536 | 12.95<br>.510 | 12.95<br>.510 | 12.95<br>.510 |
|            | female #22D PL      | 13.61<br>.536 | 13.61<br>.536 | 13.61<br>.536 | 13.61<br>.536 | 13.61<br>.536 | 13.61<br>.536 | 12.95<br>.510 | 12.95<br>.510 | 12.95<br>.510 |
|            | male #20 PC ; 16 PC | 13.78<br>.543 | 13.78<br>.543 | 13.78<br>.543 | 13.78<br>.543 | 13.78<br>.543 | 13.78<br>.543 | 13.12<br>.517 | 13.12<br>.517 | 13.12<br>.517 |

## Receptacle type 2



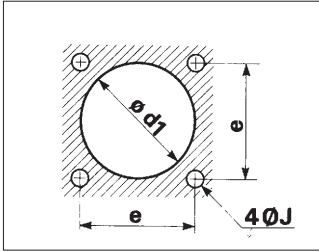
| shell size |     | 08            | 10            | 12             | 14             | 16             | 18             | 20             | 22             | 24             |
|------------|-----|---------------|---------------|----------------|----------------|----------------|----------------|----------------|----------------|----------------|
| B1         | Max | 21.03<br>.828 | 24.24<br>.954 | 26.72<br>1.052 | 29.01<br>1.142 | 31.37<br>1.235 | 33.73<br>1.328 | 36.91<br>1.453 | 40.08<br>1.578 | 43.26<br>1.70  |
| E1         |     | 15.10<br>.594 | 18.26<br>.719 | 20.62<br>.812  | 23.01<br>.906  | 24.61<br>.969  | 26.97<br>1.062 | 29.36<br>1.156 | 31.75<br>1.250 | 34.93<br>1.375 |
| D1         | Max | 12.01<br>.473 | 15.00<br>.591 | 19.06<br>.750  | 22.23<br>.875  | 25.41<br>1.000 | 28.61<br>1.126 | 31.78<br>1.251 | 34.95<br>1.376 | 38.13<br>1.501 |
| D2         | Max | 13.24<br>.521 | 16.19<br>.637 | 20.48<br>.806  | 23.70<br>.933  | 26.83<br>1.056 | 30.96<br>1.219 | 34.14<br>1.344 | 37.31<br>1.469 | 40.49<br>1.594 |
| J          | Max | 3.30<br>.130  | 3.30<br>.130  | 3.30<br>.130   | 3.30<br>.130   | 3.30<br>.130   | 3.30<br>.130   | 3.30<br>.130   | 3.30<br>.130   | 3.99<br>.157   |
| L1         | Max | 11.35<br>.447 | 11.35<br>.447 | 11.35<br>.447  | 11.35<br>.447  | 11.35<br>.447  | 11.35<br>.447  | 11.35<br>.447  | 11.35<br>.447  | 11.35<br>.447  |
| L2         | Max | 4.77<br>.188  | 4.77<br>.188  | 4.77<br>.188   | 4.77<br>.188   | 4.77<br>.188   | 4.77<br>.188   | 4.77<br>.188   | 4.77<br>.188   | 4.77<br>.188   |
| L3         | Max | 1.75<br>.069  | 1.75<br>.069  | 1.75<br>.069   | 1.75<br>.069   | 1.75<br>.069   | 1.75<br>.069   | 1.75<br>.069   | 1.75<br>.069   | 1.75<br>.069   |
| L4         | Max | 3.71<br>.146  | 3.71<br>.146  | 3.71<br>.146   | 3.71<br>.146   | 3.71<br>.146   | 3.71<br>.146   | 4.27<br>.168   | 4.27<br>.168   | 4.27<br>.168   |

# 8T Series

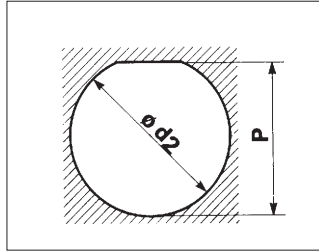


## Panel cut-out

### square flange receptacle

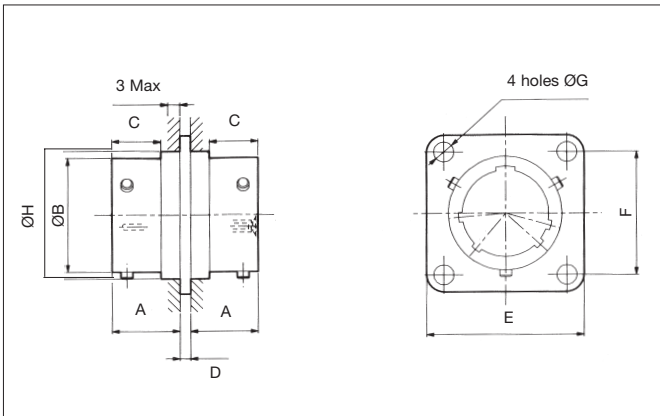


### jam nut receptacle



| shell size | 08            | 10             | 12             | 14             | 16             | 18             | 20             | 22             | 24             |
|------------|---------------|----------------|----------------|----------------|----------------|----------------|----------------|----------------|----------------|
| d1 min     | 14.15<br>.557 | 17.32<br>.682  | 21.69<br>.854  | 24.87<br>.979  | 28.04<br>1.104 | 31.22<br>1.229 | 34.39<br>1.354 | 37.57<br>1.479 | 40.74<br>1.604 |
| d2         | 22.46<br>.884 | 25.58<br>1.007 | 28.80<br>1.134 | 31.98<br>1.259 | 35.15<br>1.384 | 38.28<br>1.507 | 41.50<br>1.634 | 44.68<br>1.759 | 47.85<br>1.884 |
| J          | 3.25<br>.128  | 3.25<br>.128   | 3.25<br>.128   | 3.25<br>.128   | 3.25<br>.128   | 3.25<br>.128   | 3.25<br>.128   | 3.25<br>.128   | 3.91<br>.154   |
| e          | 15.09<br>.594 | 18.26<br>.719  | 20.62<br>.812  | 23.01<br>.906  | 24.61<br>.969  | 26.97<br>1.062 | 29.36<br>1.156 | 31.75<br>1.250 | 34.93<br>1.375 |
| P          | 21.08<br>.830 | 24.26<br>.955  | 27.53<br>1.084 | 30.68<br>1.208 | 33.86<br>1.333 | 37.06<br>1.459 | 40.03<br>1.576 | 43.21<br>1.701 | 46.38<br>1.826 |

## Through bulkhead receptacle



| shell size | A Max         | B Max          | C Max        | D Max        | E Max          | F              | G Max        | H Max          |
|------------|---------------|----------------|--------------|--------------|----------------|----------------|--------------|----------------|
| 08         | 11.35<br>.447 | 12.04<br>.474  | 8.18<br>.322 | 1.75<br>.069 | 21.03<br>.828  | 15.09<br>.594  | 3.30<br>.130 | 13.89<br>.547  |
| 10         | 11.35<br>.447 | 15.02<br>.591  | 8.18<br>.322 | 1.75<br>.069 | 24.23<br>.954  | 18.26<br>.719  | 3.30<br>.130 | 17.07<br>.672  |
| 12         | 11.35<br>.447 | 19.08<br>.751  | 8.18<br>.322 | 1.75<br>.069 | 26.59<br>1.047 | 20.62<br>.812  | 3.30<br>.130 | 21.44<br>.844  |
| 14         | 11.35<br>.447 | 22.25<br>.876  | 8.18<br>.322 | 1.75<br>.069 | 28.98<br>1.141 | 23.01<br>.906  | 3.30<br>.130 | 24.61<br>.969  |
| 16         | 11.35<br>.447 | 25.43<br>1.001 | 8.18<br>.322 | 1.75<br>.069 | 31.34<br>1.234 | 24.61<br>.969  | 3.30<br>.130 | 27.79<br>1.094 |
| 18         | 11.35<br>.447 | 28.61<br>1.126 | 8.18<br>.322 | 1.75<br>.069 | 33.73<br>1.328 | 26.97<br>1.062 | 3.30<br>.130 | 30.96<br>1.219 |
| 20         | 11.35<br>.447 | 31.78<br>1.251 | 8.18<br>.322 | 1.75<br>.069 | 36.91<br>1.453 | 29.36<br>1.156 | 3.30<br>.130 | 34.14<br>1.344 |
| 22         | 11.35<br>.447 | 34.95<br>1.376 | 8.18<br>.322 | 1.75<br>.069 | 40.08<br>1.578 | 31.75<br>1.250 | 3.30<br>.130 | 37.31<br>1.469 |
| 24         | 11.35<br>.447 | 38.13<br>1.501 | 8.18<br>.322 | 1.75<br>.069 | 43.26<br>1.703 | 34.92<br>1.375 | 3.98<br>.157 | 40.49<br>1.594 |

## Ordering information

|                |   |    |   |    |    |    |   |   |
|----------------|---|----|---|----|----|----|---|---|
| basic series   | SN1738                                    | 04 | T | •• | •• | PS | N | 7 |
| shell type     | 04 - through bulkhead receptacle          |    |   |    |    |    |   |   |
| class          | T - sealed                                |    |   |    |    |    |   |   |
| shell size     | 08-10-12-14-16-18-20-22-24                |    |   |    |    |    |   |   |
| contact layout | - see standard layout for 8T Series p 120 |    |   |    |    |    |   |   |
| contact type   | PS - male/female contact                  |    |   |    |    |    |   |   |
| polarization   | N - normal                                |    |   |    |    |    |   |   |
| plating        | 7 - olive green cadmium                   |    |   |    |    |    |   |   |

## Accessories

### protective caps

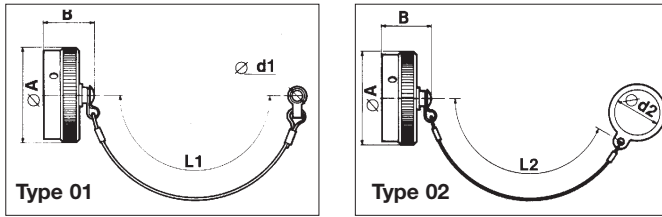
|              |  |   |   |   |    |
|--------------|--|---|---|---|----|
| basic series | 8T   | E | 01  | G | 14 |
| cap type     | E - cap for receptacle<br>F - cap for plug   |   |   |   |    |
| fixing type  | cap for receptacle<br>01 - plastic sleeved metal cord with eyelet<br>02 - plastic sleeved metal cord with ring |   | cap for plug<br>01 - plastic sleeved metal cord with eyelet |   |    |
| plating      | B - olive green cadmium (MIL-C 38999)<br>F - nickel  |   |   |   |    |
| shell size   | 08-10-12-14-16-18-20-22-24   |   |   |   |    |



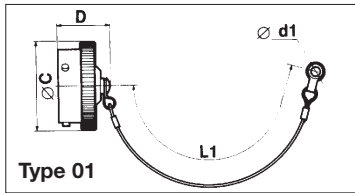
# 8T Series



## Protective caps for receptacles

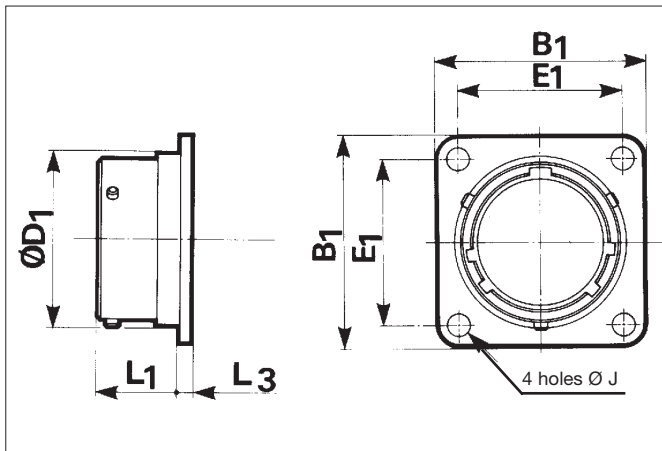


## Protective caps for plugs



| shell size | A Max          | B Max         | C Max          | D Max         | d1 min       | d2 min         | L1              | L2              |
|------------|----------------|---------------|----------------|---------------|--------------|----------------|-----------------|-----------------|
| 08         | 19.05<br>.750  | 20.83<br>.820 | 18.29<br>.720  | 20.83<br>.820 | 3.12<br>.123 | 22.61<br>.890  | 76.20<br>3.000  | 76.20<br>3.000  |
| 10         | 21.82<br>.859  | 20.83<br>.820 | 21.59<br>.850  | 20.83<br>.820 | 3.12<br>.123 | 25.65<br>1.010 | 76.20<br>3.000  | 76.20<br>3.000  |
| 12         | 26.19<br>1.031 | 20.83<br>.820 | 25.40<br>1.000 | 20.83<br>.820 | 3.12<br>.123 | 28.96<br>1.140 | 88.90<br>3.500  | 88.90<br>3.500  |
| 14         | 29.36<br>1.156 | 20.83<br>.820 | 28.70<br>1.130 | 20.83<br>.820 | 3.12<br>.123 | 32.00<br>1.260 | 88.90<br>3.500  | 88.90<br>3.500  |
| 16         | 32.54<br>1.281 | 20.83<br>.820 | 31.75<br>1.250 | 20.83<br>.820 | 3.12<br>.123 | 35.31<br>1.390 | 88.90<br>3.500  | 88.90<br>3.500  |
| 18         | 35.71<br>1.406 | 20.83<br>.820 | 35.05<br>1.380 | 20.83<br>.820 | 3.12<br>.123 | 38.35<br>1.510 | 88.90<br>3.500  | 88.90<br>3.500  |
| 20         | 38.89<br>1.531 | 20.83<br>.820 | 38.10<br>1.500 | 20.83<br>.820 | 3.12<br>.123 | 41.66<br>1.640 | 101.60<br>4.000 | 101.60<br>4.000 |
| 22         | 41.68<br>1.641 | 20.83<br>.820 | 41.40<br>1.630 | 20.83<br>.820 | 3.12<br>.123 | 44.70<br>1.760 | 101.60<br>4.000 | 101.60<br>4.000 |
| 24         | 44.86<br>1.766 | 20.83<br>.820 | 44.45<br>1.750 | 20.83<br>.820 | 3.53<br>.139 | 48.01<br>1.890 | 101.60<br>4.000 | 101.60<br>4.000 |

## Dummy receptacle



| shell size | part number | L1 Max        | L3 Max       | D1 Max         | B1 Max         | E1             | J            |
|------------|-------------|---------------|--------------|----------------|----------------|----------------|--------------|
| 08         | 8T3-08•UR   | 11.35<br>.447 | 1.75<br>.069 | 12.04<br>.474  | 21.03<br>.828  | 15.09<br>.594  | 3.30<br>.130 |
| 10         | 8T3-10•UR   | 11.35<br>.447 | 1.75<br>.069 | 15.02<br>.591  | 24.23<br>.954  | 18.26<br>.719  | 3.30<br>.130 |
| 12         | 8T3-12•UR   | 11.35<br>.447 | 1.75<br>.069 | 19.08<br>.751  | 26.59<br>1.047 | 20.62<br>.812  | 3.30<br>.130 |
| 14         | 8T3-14•UR   | 11.35<br>.447 | 1.75<br>.069 | 22.25<br>.876  | 28.98<br>1.141 | 23.01<br>.906  | 3.30<br>.130 |
| 16         | 8T3-16•UR   | 11.35<br>.447 | 1.75<br>.069 | 25.43<br>1.001 | 31.34<br>1.234 | 24.61<br>.969  | 3.30<br>.130 |
| 18         | 8T3-18•UR   | 11.35<br>.447 | 1.75<br>.069 | 28.61<br>1.126 | 33.73<br>1.328 | 26.97<br>1.062 | 3.30<br>.130 |
| 20         | 8T3-20•UR   | 11.35<br>.447 | 1.75<br>.069 | 31.78<br>1.251 | 36.91<br>1.453 | 29.36<br>1.156 | 3.30<br>.130 |
| 22         | 8T3-22•UR   | 11.35<br>.447 | 1.75<br>.069 | 34.95<br>1.376 | 40.08<br>1.578 | 31.75<br>1.250 | 3.30<br>.130 |
| 24         | 8T3-24•UR   | 11.35<br>.447 | 1.75<br>.069 | 38.13<br>1.501 | 43.26<br>1.703 | 34.93<br>1.375 | 3.99<br>.157 |

• : G olive green cadmium  
F nickel

## Gaskets

| Shell size | Part numbers                                      |                               |
|------------|---|-------------------------------|
|            | gasket for receptacle type 3 (ordered separately) | O. ring for receptacle type 7 |
| 08         | 8525-1431   | MS9068-022                    |
| 10         | 8525-1432   | MS9068-024                    |
| 12         | 8525-1433   | MS9068-026                    |
| 14         | 8525-1434   | MS9068-028                    |
| 16         | 8525-1435   | MS9068-029                    |
| 18         | 8525-1436   | MS9068-030                    |
| 20         | 8525-1437   | MS9068-031                    |
| 22         | 8525-1438   | MS9068-032                    |
| 24         | 8525-1439   | MS9068-033                    |

## Plastic protective caps

| Shell size | Part numbers        |              |
|------------|---------------------|--------------|
|            | cap for receptacles | cap for plug |
| 08         | 8500-5585A          | 8500-5594    |
| 10         | 8500-5586A          | 71120        |
| 12         | 8500-5587A          | 8500-5596    |
| 14         | 8500-5588A          | 8500-5597    |
| 16         | 8500-5589A          | 8500-5598    |
| 18         | 8500-5590A          | 8500-5589    |
| 20         | 8500-5591A          | 8500-5600    |
| 22         | 8500-5592A          | 8500-5601    |
| 24         | 8500-5593A          | 8500-5602    |

## Reusable fixing plate

Two, three or four-holes self-locking fixing-plates are available at SHTP. See page 126.

# 8D Aluminum Series



## Applications

High density connectors for all military and aeronautical purposes with severe vibration environment

## Standards

MIL-C 38999 Series III - QPL approved  
Pr EN 3645



## Description

- High density connector from 1 to 128 contacts
- Sizes 22D, 20, 16, 12, # 16 coax and # 8 triax
- A quick screw coupling with anti-decoupling mechanism
- 100 % scoop proof
- An EMI/RFI reinforced shielding with grounding fingers

## Characteristics

### Mechanical

- Shell : aluminum alloy
- Plating :
  - olive green cadmium (W)
  - nickel (F)
- Insulator : thermoplastic or thermoset
- Grommet and seal : silicone elastomer
- Contact : copper alloy
- Plating : gold over nickel
- Endurance :
  - 500 mating/unmating operations
- Shock : high impact as per MIL-S 901
- Vibration :
  - sine 60 g with temperature cycling and simulated accessory (36 hours)
  - random :
    - 44.1 grms at high temperature
    - 49.5 grms at ambient temperature
- Contact retention (mini force in N) :
  - size 22 D : 45 N      - size 20 : 67 N
  - size 16 : 111 N      - size 12 : 111 N
  - size 8 : 111 N

### Electrical

- Test voltage (Vrms)

| Service | sea level | at 21000 m |
|---------|-----------|------------|
| M       | 1300      | 800        |
| N       | 1000      | 600        |
| I       | 1800      | 1000       |
| II      | 2300      | 1000       |

- Contact resistance :
  - resistance of wire included in measurement :
  - size 22 D : 14.6 mΩ      - size 16 : 3.8 mΩ
  - size 20 : 7.3 mΩ      - size 12 : 1.7 mΩ
  - size 8 : 3 mΩ
- Insulation resistance : ≥ 5000 MΩ (at 500 Vdc)
- Contact rating :
  - size 22 D : 5 A      - size 16 : 13 A
  - size 20 : 7.5 A      - size 12 : 23 A
  - size 8 : 45 A
- Shell continuity : - olive green plating : 2.5 mΩ  
- nickel plating : 1 mΩ
- Shielding : - 65 db to 10 GHz (F)  
- 50 db to 10 GHz (W)  
- 85 db to 1 GHz (F and W)
- Triaxial contact : # 8
  - bandwidth : 0 - 20 MHz
  - voltage rating : 500 Vac maxi.  
125 Vac at 21000 m
  - voltage drop :
    - inner and middle contact ≤ 55 mV under 1A
    - outer contact ≤ 75 mV under 12A

### Climatic

- Temperature range :
  - cadmium plating (W) -65°C +175°C
  - nickel plating (F) -65°C +200°C
- Sealing : mated connectors meet altitude immersion requirements of MIL-C 38999
- Salt spray to : MIL-STD 1344 method 1001
  - 500 hours (version W)
  - 48 hours (version F)
- Damp heat : MIL-C 38999 - 10 cycles (24 hours)

### Resistance to fluids

- To MIL-C 38999 standard :
- Gasoline : JP5 (OTAN F44)
  - Mineral hydraulic fluid : MIL-H 5606 (OTAN H515)
  - Synthetic hydraulic fluid : skydrol 500 B4, LD4 (SAE AS 1241)
  - Mineral lubricating : MIL-L 7870A (OTAN 0142)
  - Synthetic lubricating : MIL-L 23699 (OTAN 0156), MIL-L 7808
  - Cleaning fluid : MIL-C 25769 diluted
  - De-icing fluid : MIL-A 8243
  - Extinguishing fluid : chlorobromethane
  - Cooling fluid : Coolanol

## Ordering information

### Part numbers

| basic series   | 8 D 0 - 11 W 35 P N ***  |  |  |  |  |  |  |  |  |  |
|----------------|--|--|--|--|--|--|--|--|--|--|
| shell type     | 0 - square flange receptacle<br>7 - jam nut receptacle<br>5 - plug with RFI shielding  |  |  |  |  |  |  |  |  |  |
| designator     | - - connectors with crimp contacts<br>L - receptacle with long spill (male and female # 22D)<br>C - receptacle with short spill (male and female # 22D - # 20 - # 16)<br>S - receptacle with specific spill (male and female # 22D)<br>W - receptacle with male contacts size 22D for wire wrap (3 wraps)<br>T - receptacle with male contacts size 20 for wire wrap (2 wraps) |  |  |  |  |  |  |  |  |  |
| shell size     | 09-11-13-15-17-19-21-23-25   |  |  |  |  |  |  |  |  |  |
| plating        | W - olive green cadmium<br>F - nickel  |  |  |  |  |  |  |  |  |  |
| contact layout | - see table p 120  |  |  |  |  |  |  |  |  |  |
| contact type   | P - male<br>S - female   |  |  |  |  | A - male connector supplied less contact or with specific contacts<br>B - female connector supplied less contact or with specific contacts |  |  |  |  |
| polarization   | N- normal<br>A-B-C-D-E - see table p 109<br>046 tinned straight spill  |  |  |  |  |  |  |  |  |  |

# 8D Aluminum Series



## MIL-C 38999 part numbers

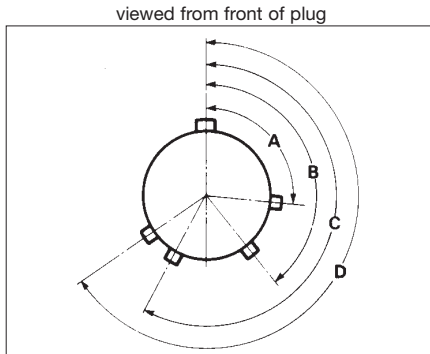
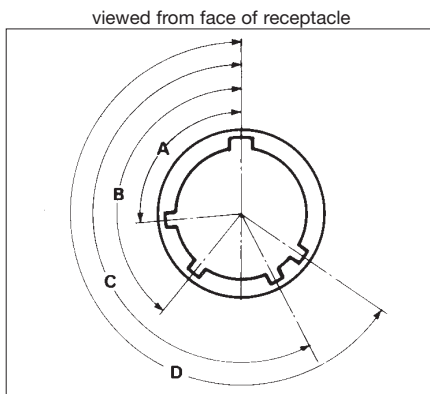
|                       |   |    |  |    |    |    |    |    |    |  |           |          |          |           |          |          |  |
|-----------------------|---|----|--|----|----|----|----|----|----|--|-----------|----------|----------|-----------|----------|----------|--|
| <b>basic series</b>   | <b>D 38999/</b>   |    |  |    |    |    |    |    |    |  | <b>20</b> | <b>W</b> | <b>B</b> | <b>35</b> | <b>P</b> | <b>N</b> |  |
| <b>shell type</b>     | <b>20</b> - square flange receptacle<br><b>24</b> - jam nut receptacle<br><b>26</b> - plug with RFI shielding |    |  |    |    |    |    |    |    |  |           |          |          |           |          |          |  |
| <b>plating</b>        | <b>W</b> - olive green cadmium<br><b>F</b> - nickel   |    |  |    |    |    |    |    |    |  |           |          |          |           |          |          |  |
| <b>shell size</b>     | <b>A to J</b>   |    |  |    |    |    |    |    |    |  |           |          |          |           |          |          |  |
|                       | 09  | 11 | 13   | 15 | 17 | 19 | 21 | 23 | 25 |  |           |          |          |           |          |          |  |
|                       | A   | B  | C  | D  | E  | F  | G  | H  | J  |  |           |          |          |           |          |          |  |
| <b>contact layout</b> | - see table p 109   |    |  |    |    |    |    |    |    |  |           |          |          |           |          |          |  |
| <b>contact type</b>   | <b>P</b> - male<br><b>S</b> - female  |    | <b>A</b> - male connector supplied less contact or with specific contacts<br><b>B</b> - female connector supplied less contact or with specific contacts |    |    |    |    |    |    |  |           |          |          |           |          |          |  |
| <b>polarization</b>   | <b>N</b> - normal<br><b>A-B-C-D-E</b> - see table below   |    |  |    |    |    |    |    |    |  |           |          |          |           |          |          |  |

## Backshells

|                       |  |     |     |     |     |     |     |     |     |  |           |            |          |           |
|-----------------------|--|-----|-----|-----|-----|-----|-----|-----|-----|--|-----------|------------|----------|-----------|
| <b>basic series</b>   |  |     |     |     |     |     |     |     |     |  | <b>8D</b> | <b>102</b> | <b>B</b> | <b>02</b> |
| <b>shell size</b>     | 09   | 11  | 13  | 15  | 17  | 19  | 21  | 23  | 25  |  |           |            |          |           |
| <b>index number</b>   | 101  | 102 | 103 | 104 | 105 | 106 | 107 | 108 | 109 |  |           |            |          |           |
| <b>plating</b>        | <b>B</b> - olive green cadmium<br><b>F</b> - nickel  |     |     |     |     |     |     |     |     |  |           |            |          |           |
| <b>backshell type</b> | <b>01</b> - backnut<br><b>02</b> - straight cable clamp<br><b>03</b> - elbow cable clamp<br><b>13</b> - backshell for heat shrink sleeving |     |     |     |     |     |     |     |     |  |           |            |          |           |

**NOTE :** Backshells will be marked with supplier's part number. Labels will bear both part numbers : supplier's and Souriau's.

## Polarization



| shell size | MS shell size | angles | N   | A   | B   | C   | D   | E   |
|------------|---------------|--------|-----|-----|-----|-----|-----|-----|
| 9          | A             | A°     | 105 | 102 | 80  | 35  | 64  | 91  |
|            |               | B°     | 140 | 132 | 118 | 140 | 155 | 131 |
|            |               | C°     | 215 | 248 | 230 | 205 | 234 | 197 |
|            |               | D°     | 265 | 320 | 312 | 275 | 304 | 240 |
| 11         | B             | A°     | 95  | 113 | 90  | 53  | 119 | 51  |
|            |               | B°     | 141 | 156 | 145 | 156 | 146 | 141 |
|            |               | C°     | 208 | 182 | 195 | 220 | 176 | 184 |
|            |               | D°     | 236 | 292 | 252 | 255 | 298 | 242 |
| 13         | C             | A°     | 95  | 113 | 90  | 53  | 119 | 51  |
|            |               | B°     | 141 | 156 | 145 | 156 | 146 | 141 |
|            |               | C°     | 208 | 182 | 195 | 220 | 176 | 184 |
|            |               | D°     | 236 | 292 | 252 | 255 | 298 | 242 |
| 15         | D             | A°     | 95  | 113 | 90  | 53  | 119 | 51  |
|            |               | B°     | 141 | 156 | 145 | 156 | 146 | 141 |
|            |               | C°     | 208 | 182 | 195 | 220 | 176 | 184 |
|            |               | D°     | 236 | 292 | 252 | 255 | 298 | 242 |
| 17         | E             | A°     | 80  | 135 | 49  | 66  | 62  | 79  |
|            |               | B°     | 142 | 170 | 169 | 140 | 145 | 153 |
|            |               | C°     | 196 | 200 | 200 | 200 | 180 | 197 |
|            |               | D°     | 293 | 310 | 244 | 257 | 280 | 272 |
| 19         | F             | A°     | 80  | 135 | 49  | 66  | 62  | 79  |
|            |               | B°     | 142 | 170 | 169 | 140 | 145 | 153 |
|            |               | C°     | 196 | 200 | 200 | 200 | 180 | 197 |
|            |               | D°     | 293 | 310 | 244 | 257 | 280 | 272 |
| 21         | G             | A°     | 80  | 135 | 49  | 66  | 62  | 79  |
|            |               | B°     | 142 | 170 | 169 | 140 | 145 | 153 |
|            |               | C°     | 196 | 200 | 200 | 200 | 180 | 197 |
|            |               | D°     | 293 | 310 | 244 | 257 | 280 | 272 |
| 23         | H             | A°     | 80  | 135 | 49  | 66  | 62  | 79  |
|            |               | B°     | 142 | 170 | 169 | 140 | 145 | 153 |
|            |               | C°     | 196 | 200 | 200 | 200 | 180 | 197 |
|            |               | D°     | 293 | 310 | 244 | 257 | 280 | 272 |
| 25         | J             | A°     | 80  | 135 | 49  | 66  | 62  | 79  |
|            |               | B°     | 142 | 170 | 169 | 140 | 145 | 153 |
|            |               | C°     | 196 | 200 | 200 | 200 | 180 | 197 |
|            |               | D°     | 293 | 310 | 244 | 257 | 280 | 272 |

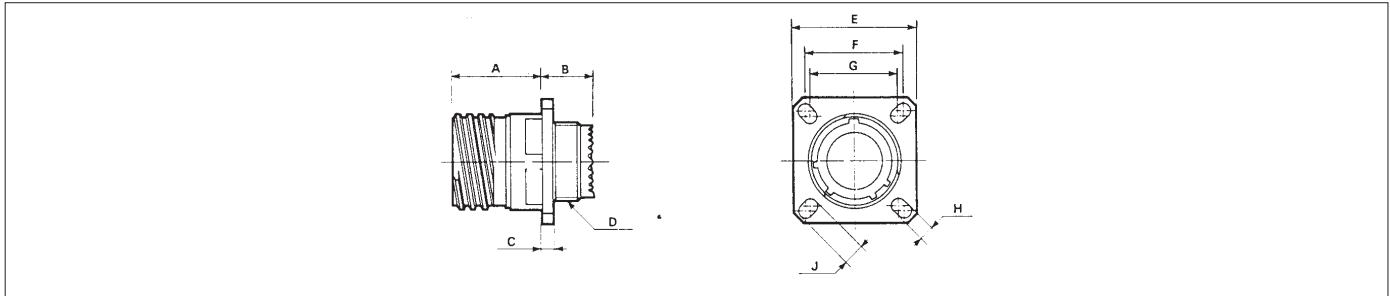
Note : Polarization A.B.C.D.E. consult us.

# 8D Aluminum Series



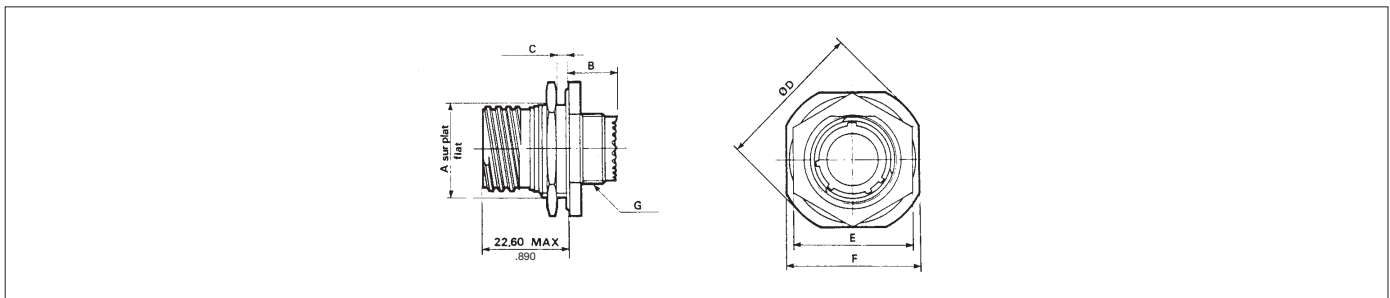
## Dimensions

### Receptacle type 0



| shell size | MS shell size | A Max         | B Max         | C Max        | D Thread     | E              | F              | G              | H            | J            |
|------------|---------------|---------------|---------------|--------------|--------------|----------------|----------------|----------------|--------------|--------------|
| 9          | A             | 20.90<br>.823 | 10.60<br>.417 | 2.50<br>.098 | M 12x 1-6g   | 23.80<br>.937  | 18.26<br>.719  | 15.09<br>.594  | 3.25<br>.128 | 5.49<br>.216 |
| 11         | B             | 20.90<br>.823 | 10.60<br>.417 | 2.50<br>.098 | M 15 x 1-6g  | 26.20<br>1.031 | 20.62<br>.812  | 18.26<br>.719  | 3.25<br>.128 | 4.93<br>.194 |
| 13         | C             | 20.90<br>.823 | 10.60<br>.417 | 2.50<br>.098 | M 18 x 1-6g  | 28.60<br>1.126 | 23.01<br>.906  | 20.62<br>.812  | 3.25<br>.128 | 4.93<br>.194 |
| 15         | D             | 20.90<br>.823 | 10.60<br>.417 | 2.50<br>.098 | M 22x 1-6g   | 31.00<br>1.220 | 24.61<br>.969  | 23.01<br>.906  | 3.25<br>.128 | 4.39<br>.173 |
| 17         | E             | 20.90<br>.823 | 10.60<br>.417 | 2.50<br>.098 | M 25 x 1 -6g | 33.30<br>1.311 | 26.97<br>1.062 | 24.61<br>.969  | 3.25<br>.128 | 4.93<br>.194 |
| 19         | F             | 20.90<br>.823 | 10.60<br>.417 | 2.50<br>.098 | M 28 x 1-6g  | 36.50<br>1.437 | 29.36<br>1.156 | 26.97<br>1.062 | 3.25<br>.128 | 4.93<br>.194 |
| 21         | G             | 20.10<br>.791 | 11.40<br>.449 | 3.20<br>.126 | M 31 x 1-6g  | 39.70<br>1.563 | 31.75<br>1.250 | 29.36<br>1.156 | 3.25<br>.128 | 4.93<br>.194 |
| 23         | H             | 20.10<br>.791 | 11.40<br>.449 | 3.20<br>.126 | M 34x 1-6g   | 42.90<br>1.689 | 34.93<br>1.375 | 31.75<br>1.250 | 3.91<br>.154 | 6.15<br>.242 |
| 25         | J             | 20.10<br>.791 | 11.40<br>.449 | 3.20<br>.126 | M 37x 1-6g   | 46.00<br>1.811 | 38.10<br>1.500 | 34.93<br>1.375 | 3.91<br>.154 | 6.15<br>.242 |

### Receptacle type 7

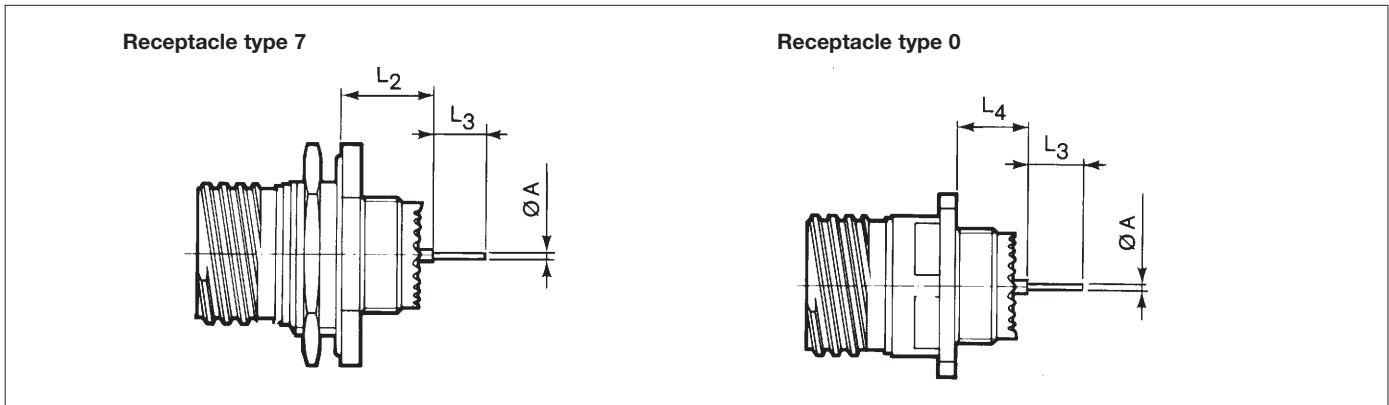


| shell size | MS shell size | A              | B Max        | C Max        | D Max         | E Max          | F              | G Thread   |
|------------|---------------|----------------|--------------|--------------|---------------|----------------|----------------|------------|
| 9          | A             | 16.53<br>.651  | 9.90<br>.390 | 3.20<br>.126 | 30.50<br>.126 | 24.00<br>.945  | 27.00<br>1.063 | M 12x1-6g  |
| 11         | B             | 19.07<br>.751  | 9.90<br>.390 | 3.20<br>.126 | 35.20<br>.126 | 27.00<br>1.063 | 31.80<br>1.252 | M 15x 1-6g |
| 13         | C             | 23.82<br>.938  | 9.90<br>.390 | 3.20<br>.126 | 38.40<br>.126 | 32.00<br>1.260 | 34.90<br>1.374 | M 18x1-6g  |
| 15         | D             | 26.97<br>1.062 | 9.90<br>.390 | 3.20<br>.126 | 41.60<br>.126 | 36.00<br>1.417 | 38.10<br>1.500 | M 22x1-6g  |
| 17         | E             | 30.15<br>1.187 | 9.90<br>.390 | 3.20<br>.126 | 44.80<br>.126 | 37.00<br>1.457 | 41.30<br>1.626 | M 25x1-6g  |
| 19         | F             | 33.32<br>1.312 | 9.90<br>.390 | 3.20<br>.126 | 49.50<br>.126 | 41.00<br>1.614 | 46.00<br>1.811 | M 28x1-6g  |
| 21         | G             | 36.50<br>1.437 | 9.90<br>.390 | 3.20<br>.126 | 52.70<br>.126 | 46.00<br>1.811 | 49.20<br>1.937 | M 31x1-6g  |
| 23         | H             | 39.67<br>1.562 | 9.90<br>.390 | 3.20<br>.126 | 55.90<br>.126 | 50.00<br>1.969 | 52.40<br>2.063 | M 34x1-6g  |
| 25         | J             | 42.85<br>1.687 | 9.90<br>.390 | 3.20<br>.126 | 59.00<br>.126 | 51.23<br>2.017 | 55.60<br>2.189 | M 37x1-6g  |

# 8D Aluminum Series



## Receptacle with straight spill contacts



| Shell size |         | 9            | 11            | 13            | 15            | 17            | 19            | 21            | 23            | 25            |
|------------|---------|--------------|---------------|---------------|---------------|---------------|---------------|---------------|---------------|---------------|
| A          | # 22D   | 0.70<br>.028 | 0.70<br>.028  | 0.70<br>.028  | 0.70<br>.028  | 0.70<br>.028  | 0.70<br>.028  | 0.70<br>.028  | 0.70<br>.028  | 0.70<br>.028  |
|            | # 20    | 0.50<br>.020 | 0.50<br>.020  | 0.50<br>.020  | 0.50<br>.020  | 0.50<br>.020  | 0.50<br>.020  | 0.50<br>.020  | 0.50<br>.020  | 0.50<br>.020  |
|            | # 16    | 1.15<br>.045 | 1.15<br>.045  | 1.15<br>.045  | 1.15<br>.045  | 1.15<br>.045  | 1.15<br>.045  | 1.15<br>.045  | 1.15<br>.045  | 1.15<br>.045  |
| L2CM       | #22D    | min          | 10.52<br>.414 | 10.52<br>.414 | 10.34<br>.407 | 10.34<br>.407 | 10.34<br>.407 | 10.34<br>.407 | 10.34<br>.407 | 10.34<br>.407 |
|            |         | Max          | 11.46<br>.451 | 11.46<br>.451 | 11.28<br>.444 | 11.28<br>.444 | 11.28<br>.444 | 11.28<br>.444 | 11.28<br>.444 | 11.28<br>.444 |
| L2CF       | #22D    | min          | 10.19<br>.401 | 10.19<br>.401 | 10.01<br>.394 | 10.01<br>.394 | 10.01<br>.394 | 10.01<br>.394 | 10.01<br>.394 | 10.01<br>.394 |
|            |         | Max          | 11.46<br>.451 | 11.46<br>.451 | 11.28<br>.444 | 11.28<br>.444 | 11.28<br>.444 | 11.28<br>.444 | 11.28<br>.444 | 11.28<br>.444 |
| L2CM       | #20     | min          | 10.69<br>.421 | 10.69<br>.421 | 10.51<br>.414 | 10.51<br>.414 | 10.51<br>.414 | 10.51<br>.414 | 10.51<br>.414 | 10.51<br>.414 |
|            |         | Max          | 11.63<br>.458 | 11.63<br>.458 | 11.45<br>.451 | 11.45<br>.451 | 11.45<br>.451 | 11.45<br>.451 | 11.45<br>.451 | 11.45<br>.451 |
| L2CF       | #20     | min          | 10.69<br>.421 | 10.69<br>.421 | 10.51<br>.414 | 10.51<br>.414 | 10.51<br>.414 | 10.51<br>.414 | 10.51<br>.414 | 10.51<br>.414 |
|            |         | Max          | 11.63<br>.458 | 11.63<br>.458 | 11.45<br>.451 | 11.45<br>.451 | 11.45<br>.451 | 11.45<br>.451 | 11.45<br>.451 | 11.45<br>.451 |
| L2CM       | #16     | min          | 10.69<br>.421 | 10.69<br>.421 | 10.51<br>.414 | 10.51<br>.414 | 10.51<br>.414 | 10.51<br>.414 | 10.51<br>.414 | 10.51<br>.414 |
|            |         | Max          | 11.63<br>.458 | 11.63<br>.458 | 11.45<br>.451 | 11.45<br>.451 | 11.45<br>.451 | 11.45<br>.451 | 11.45<br>.451 | 11.45<br>.451 |
| L2CF       | #16     | min          | 10.69<br>.421 | 10.69<br>.421 | 10.51<br>.414 | 10.51<br>.414 | 10.51<br>.414 | 10.51<br>.414 | 10.51<br>.414 | 10.51<br>.414 |
|            |         | Max          | 11.63<br>.458 | 11.63<br>.458 | 11.45<br>.451 | 11.45<br>.451 | 11.45<br>.451 | 11.45<br>.451 | 11.45<br>.451 | 11.45<br>.451 |
| L3         | PL #22D | 8.50<br>.335 | 8.50<br>.335  | 8.50<br>.335  | 8.50<br>.335  | 8.50<br>.335  | 8.50<br>.335  | 8.50<br>.335  | 8.50<br>.335  | 8.50<br>.335  |
|            | PC #22D | 4.00<br>.157 | 4.00<br>.157  | 4.00<br>.157  | 4.00<br>.157  | 4.00<br>.157  | 4.00<br>.157  | 4.00<br>.157  | 4.00<br>.157  | 4.00<br>.157  |
|            | PC #20  | 5.10<br>.201 | 5.10<br>.201  | 5.10<br>.201  | 5.10<br>.201  | 5.10<br>.201  | 5.10<br>.201  | 5.10<br>.201  | 5.10<br>.201  | 5.10<br>.201  |
|            | PC #16  | 5.10<br>.201 | 5.10<br>.201  | 5.10<br>.201  | 5.10<br>.201  | 5.10<br>.201  | 5.10<br>.201  | 5.10<br>.201  | 5.10<br>.201  | 5.10<br>.201  |
| L4CM       | #22D    | min          | 9.48<br>.373  | 9.48<br>.373  | 9.48<br>.373  | 9.48<br>.373  | 9.48<br>.373  | 9.48<br>.373  | 9.59<br>.421  | 9.59<br>.421  |
|            |         | Max          | 10.58<br>.417 | 10.58<br>.417 | 10.58<br>.417 | 10.58<br>.417 | 10.58<br>.417 | 10.58<br>.417 | 10.69<br>.421 | 10.69<br>.421 |
| L4CF       | #22D    | min          | 9.15<br>.360  | 9.15<br>.360  | 9.15<br>.360  | 9.15<br>.360  | 9.15<br>.360  | 9.15<br>.360  | 9.26<br>.365  | 9.26<br>.365  |
|            |         | Max          | 10.58<br>.417 | 10.58<br>.417 | 10.58<br>.417 | 10.58<br>.417 | 10.58<br>.417 | 10.58<br>.417 | 10.69<br>.421 | 10.69<br>.421 |
| L4CM       | #20     | min          | 9.65<br>.380  | 9.65<br>.380  | 9.65<br>.380  | 9.65<br>.380  | 9.65<br>.380  | 9.65<br>.380  | 9.76<br>.384  | 9.76<br>.384  |
|            |         | Max          | 10.75<br>.423 | 10.75<br>.423 | 10.75<br>.423 | 10.75<br>.423 | 10.75<br>.423 | 10.75<br>.423 | 10.86<br>.428 | 10.86<br>.428 |
| L4CF       | #20     | min          | 9.65<br>.380  | 9.65<br>.380  | 9.65<br>.380  | 9.65<br>.380  | 9.65<br>.380  | 9.65<br>.380  | 9.76<br>.384  | 9.76<br>.384  |
|            |         | Max          | 10.75<br>.423 | 10.75<br>.423 | 10.75<br>.423 | 10.75<br>.423 | 10.75<br>.423 | 10.75<br>.423 | 10.86<br>.428 | 10.86<br>.428 |
| L4CM       | #16     | min          | 9.65<br>.380  | 9.65<br>.380  | 9.65<br>.380  | 9.65<br>.380  | 9.65<br>.380  | 9.65<br>.380  | 9.76<br>.384  | 9.76<br>.384  |
|            |         | Max          | 10.75<br>.423 | 10.75<br>.423 | 10.75<br>.423 | 10.75<br>.423 | 10.75<br>.423 | 10.75<br>.423 | 10.86<br>.428 | 10.86<br>.428 |
| L4CF       | #16     | min          | 9.65<br>.380  | 9.65<br>.380  | 9.65<br>.380  | 9.65<br>.380  | 9.65<br>.380  | 9.65<br>.380  | 9.76<br>.384  | 9.76<br>.384  |
|            |         | Max          | 10.75<br>.423 | 10.75<br>.423 | 10.75<br>.423 | 10.75<br>.423 | 10.75<br>.423 | 10.75<br>.423 | 10.86<br>.428 | 10.86<br>.428 |

CM : male contact

CF : female contact

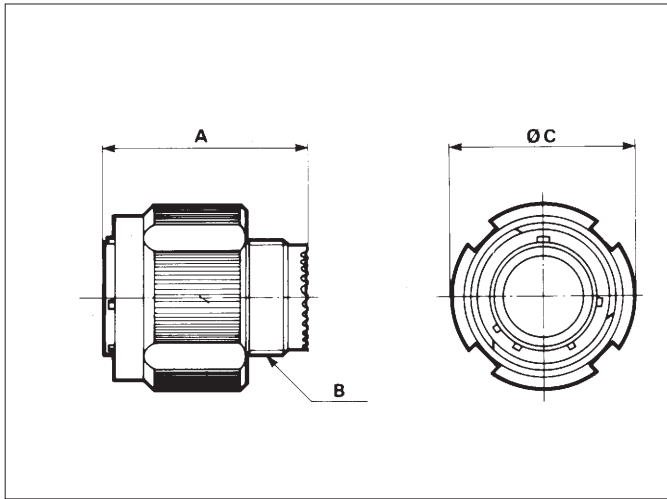
PL : long spill

PC : short spill

# 8D Aluminum Series

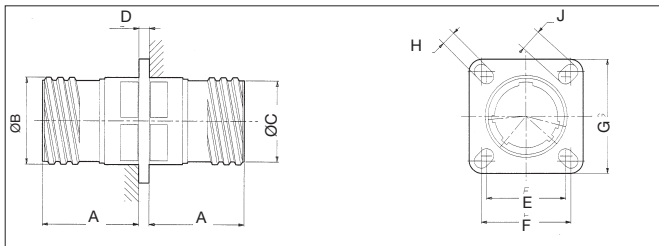


## Plug type 5



| shell size | MS shell size | A Max          | B Thread      | C Max          |
|------------|---------------|----------------|---------------|----------------|
| 9          | A             | 31.00<br>1.220 | M 12 x 1 - 6g | 21.80<br>.858  |
| 11         | B             | 31.00<br>1.220 | M 15 x 1 - 6g | 25.00<br>.984  |
| 13         | C             | 31.00<br>1.220 | M 18 x 1 - 6g | 29.40<br>1.157 |
| 15         | D             | 31.00<br>1.220 | M 22 x 1 - 6g | 32.50<br>1.280 |
| 17         | E             | 31.00<br>1.220 | M 25 x 1 - 6g | 35.70<br>1.406 |
| 19         | F             | 31.00<br>1.220 | M 28 x 1 - 6g | 38.50<br>1.516 |
| 21         | G             | 31.00<br>1.220 | M 31 x 1 - 6g | 41.70<br>1.642 |
| 23         | H             | 31.00<br>1.220 | M 34 x 1 - 6g | 44.90<br>1.768 |
| 25         | J             | 31.00<br>1.220 | M 37 x 1 - 6g | 48.00<br>1.890 |

## Through bulkhead receptacle (Special SHTP)



| shell size | A Max         | B              | C              | D Max        | E              | F              | G              | H            | J            |
|------------|---------------|----------------|----------------|--------------|----------------|----------------|----------------|--------------|--------------|
| 9          | 20.90<br>.823 | 15.72<br>.619  | 14.43<br>.568  | 2.26<br>.089 | 15.09<br>.594  | 18.26<br>.719  | 23.80<br>.937  | 3.25<br>.128 | 5.49<br>.216 |
| 11         | 20.90<br>.823 | 18.90<br>.744  | 17.60<br>.693  | 2.26<br>.089 | 18.26<br>.719  | 20.62<br>.812  | 26.20<br>1.031 | 3.25<br>.128 | 4.93<br>.194 |
| 13         | 20.90<br>.823 | 22.07<br>.869  | 20.78<br>.818  | 2.26<br>.089 | 20.62<br>.812  | 23.01<br>.906  | 28.60<br>1.126 | 3.25<br>.128 | 4.93<br>.194 |
| 15         | 20.90<br>.823 | 25.25<br>.994  | 23.95<br>.943  | 2.26<br>.089 | 23.01<br>.906  | 24.61<br>.969  | 31.00<br>1.220 | 3.25<br>.128 | 4.39<br>.173 |
| 17         | 20.90<br>.823 | 30.00<br>1.181 | 28.35<br>1.116 | 2.26<br>.089 | 24.61<br>.969  | 26.97<br>1.062 | 33.30<br>1.311 | 3.25<br>.128 | 4.93<br>.194 |
| 19         | 20.90<br>.823 | 31.57<br>1.243 | 29.95<br>1.179 | 2.26<br>.089 | 26.97<br>1.062 | 29.36<br>1.156 | 36.50<br>1.437 | 3.25<br>.128 | 4.93<br>.194 |
| 21         | 20.10<br>.791 | 34.75<br>1.368 | 33.12<br>1.304 | 2.97<br>.177 | 29.36<br>1.156 | 31.75<br>1.250 | 39.70<br>1.563 | 3.25<br>.128 | 4.93<br>.194 |
| 23         | 20.10<br>.791 | 37.92<br>1.193 | 36.30<br>1.429 | 2.97<br>.117 | 31.75<br>1.250 | 34.93<br>1.375 | 42.90<br>1.689 | 3.91<br>.154 | 6.15<br>.242 |
| 25         | 20.10<br>.791 | 41.10<br>1.678 | 39.47<br>1.554 | 2.97<br>.117 | 34.93<br>1.375 | 38.10<br>1.500 | 46.00<br>1.811 | 3.91<br>.154 | 6.15<br>.242 |

## Part number

basic series **SN1843-13 W •• PS N**

shell size 09-11-13-15-17-19-21-23-25

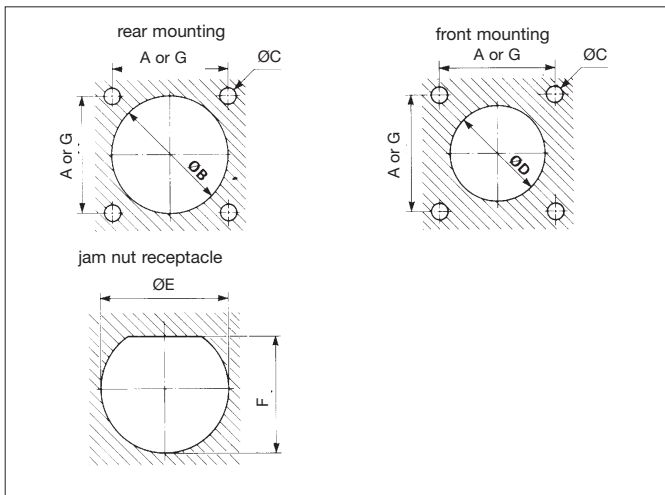
plating W - olive green cadmium

contact layout please consult us

contact type male/female contact

polarization

## Panel cut-out



| shell size | 9 A           | 11 B          | 13 C           | 15 D           | 17 E           | 19 F           | 21 G           | 23 H           | 25 J           |
|------------|---------------|---------------|----------------|----------------|----------------|----------------|----------------|----------------|----------------|
| A          | 18.26<br>.719 | 20.62<br>.812 | 23.01<br>.906  | 24.61<br>.969  | 26.97<br>1.062 | 29.36<br>1.156 | 31.75<br>1.250 | 34.93<br>1.375 | 38.10<br>1.500 |
| G          | 15.09<br>.594 | 18.26<br>.719 | 20.62<br>.812  | 23.01<br>.906  | 24.61<br>.969  | 26.97<br>1.062 | 29.36<br>1.156 | 31.75<br>1.250 | 34.94<br>1.376 |
| B min      | 16.66<br>.656 | 20.22<br>.796 | 23.42<br>.922  | 26.59<br>1.047 | 30.96<br>1.219 | 32.94<br>1.297 | 36.12<br>1.422 | 39.29<br>1.547 | 42.47<br>1.672 |
| C          | 3.25<br>.128  | 3.25<br>.128  | 3.25<br>.128   | 3.25<br>.128   | 3.25<br>.128   | 3.25<br>.128   | 3.25<br>.128   | 3.91<br>.154   | 3.91<br>.154   |
| D min      | 13.11<br>.516 | 15.88<br>.625 | 19.05<br>.750  | 23.01<br>.906  | 25.81<br>1.016 | 28.98<br>1.141 | 32.16<br>1.266 | 34.93<br>1.375 | 37.69<br>1.484 |
| E          | 17.78<br>.700 | 20.96<br>.825 | 25.65<br>1.010 | 28.83<br>1.135 | 32.01<br>1.260 | 35.18<br>1.385 | 38.35<br>1.510 | 41.53<br>1.635 | 44.70<br>1.760 |
| F          | 17.02<br>.670 | 19.59<br>.771 | 24.26<br>.955  | 27.56<br>1.085 | 30.73<br>1.210 | 33.91<br>1.335 | 37.08<br>1.460 | 40.26<br>1.585 | 43.43<br>1.710 |

Maxi thickness of panel mounting for square flange receptacle - type 0  
 - front mounting : 3.2 mm Max.  
 - rear mounting : 2.5 mm Max.

Компания «Океан Электроники» предлагает заключение долгосрочных отношений при поставках импортных электронных компонентов на взаимовыгодных условиях!

Наши преимущества:

- Поставка оригинальных импортных электронных компонентов напрямую с производств Америки, Европы и Азии, а так же с крупнейших складов мира;
- Широкая линейка поставок активных и пассивных импортных электронных компонентов (более 30 млн. наименований);
- Поставка сложных, дефицитных, либо снятых с производства позиций;
- Оперативные сроки поставки под заказ (от 5 рабочих дней);
- Экспресс доставка в любую точку России;
- Помощь Конструкторского Отдела и консультации квалифицированных инженеров;
- Техническая поддержка проекта, помощь в подборе аналогов, поставка прототипов;
- Поставка электронных компонентов под контролем ВП;
- Система менеджмента качества сертифицирована по Международному стандарту ISO 9001;
- При необходимости вся продукция военного и аэрокосмического назначения проходит испытания и сертификацию в лаборатории (по согласованию с заказчиком);
- Поставка специализированных компонентов военного и аэрокосмического уровня качества (Xilinx, Altera, Analog Devices, Intersil, Interpoint, Microsemi, Actel, Aeroflex, Peregrine, VPT, Syfer, Eurofarad, Texas Instruments, MS Kennedy, Miteq, Cobham, E2V, MA-COM, Hittite, Mini-Circuits, General Dynamics и др.);

Компания «Океан Электроники» является официальным дистрибьютором и эксклюзивным представителем в России одного из крупнейших производителей разъемов военного и аэрокосмического назначения «JONHON», а так же официальным дистрибьютором и эксклюзивным представителем в России производителя высокотехнологичных и надежных решений для передачи СВЧ сигналов «FORSTAR».



## JONHON

«JONHON» (основан в 1970 г.)

Разъемы специального, военного и аэрокосмического назначения:

(Применяются в военной, авиационной, аэрокосмической, морской, железнодорожной, горно- и нефтедобывающей отраслях промышленности)

«FORSTAR» (основан в 1998 г.)

ВЧ соединители, коаксиальные кабели, кабельные сборки и микроволновые компоненты:

(Применяются в телекоммуникациях гражданского и специального назначения, в средствах связи, РЛС, а так же военной, авиационной и аэрокосмической отраслях промышленности).



Телефон: 8 (812) 309-75-97 (многоканальный)

Факс: 8 (812) 320-03-32

Электронная почта: [ocean@oceanchips.ru](mailto:ocean@oceanchips.ru)

Web: <http://oceanchips.ru/>

Адрес: 198099, г. Санкт-Петербург, ул. Калинина, д. 2, корп. 4, лит. А