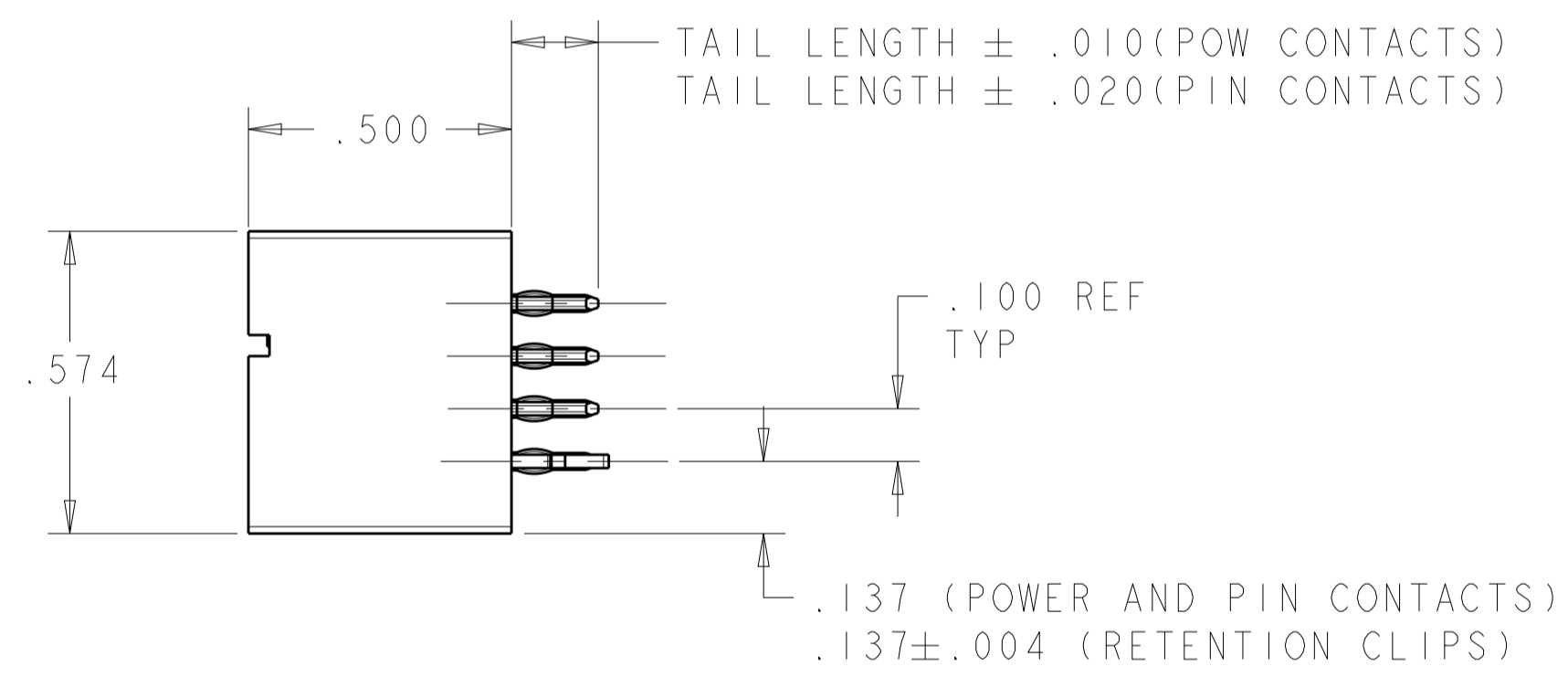
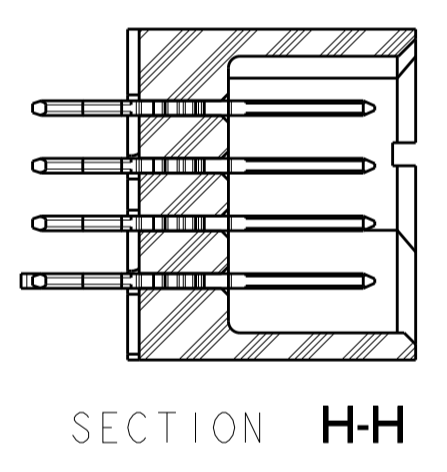
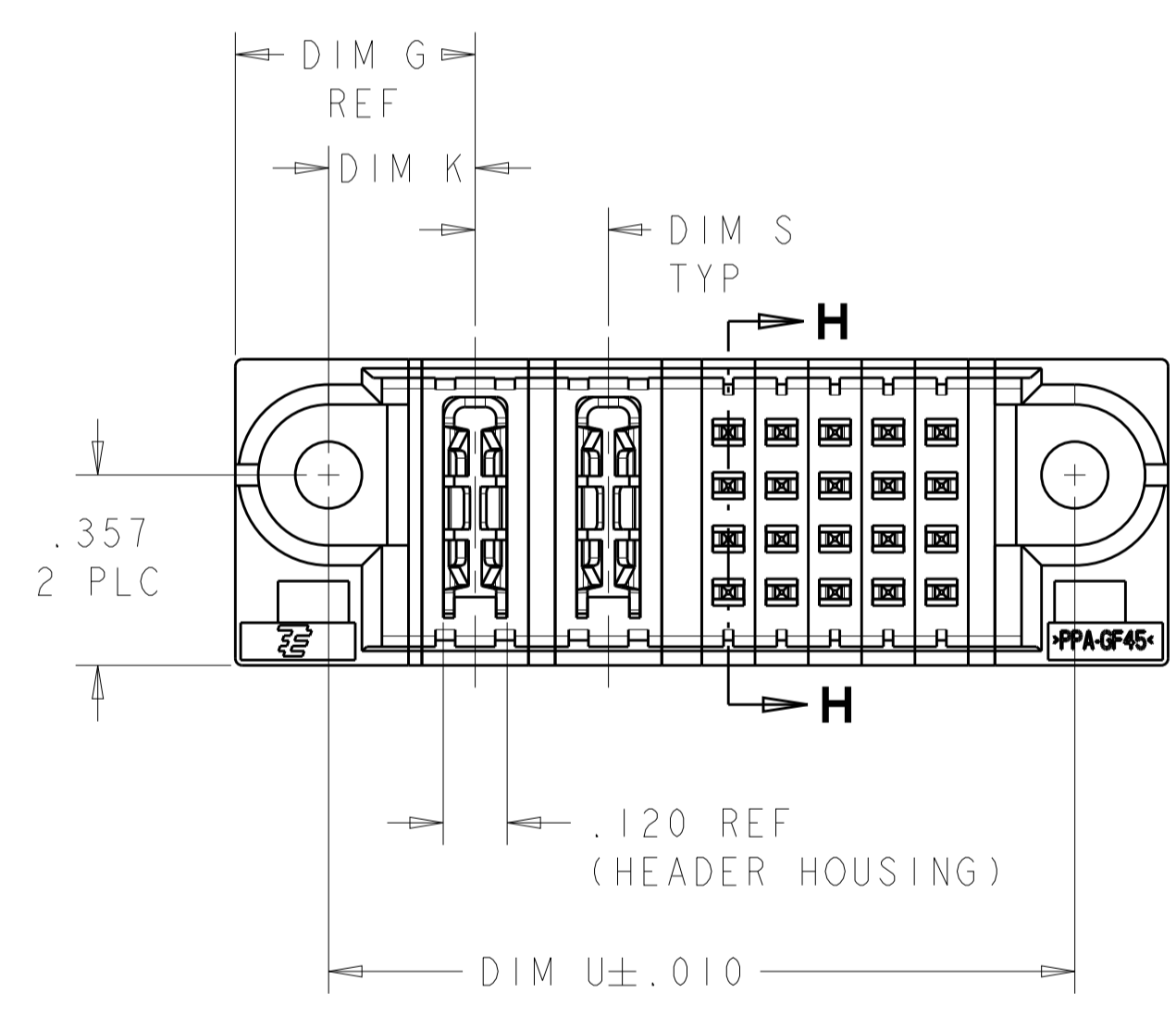
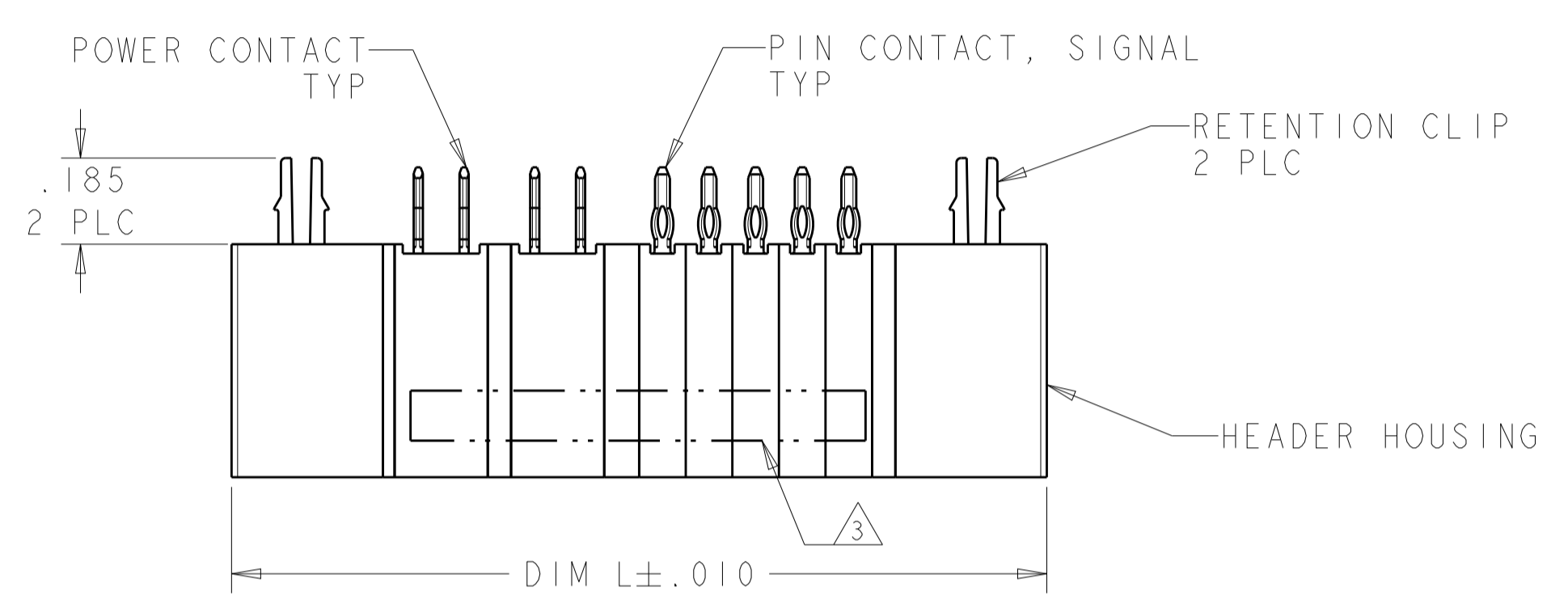
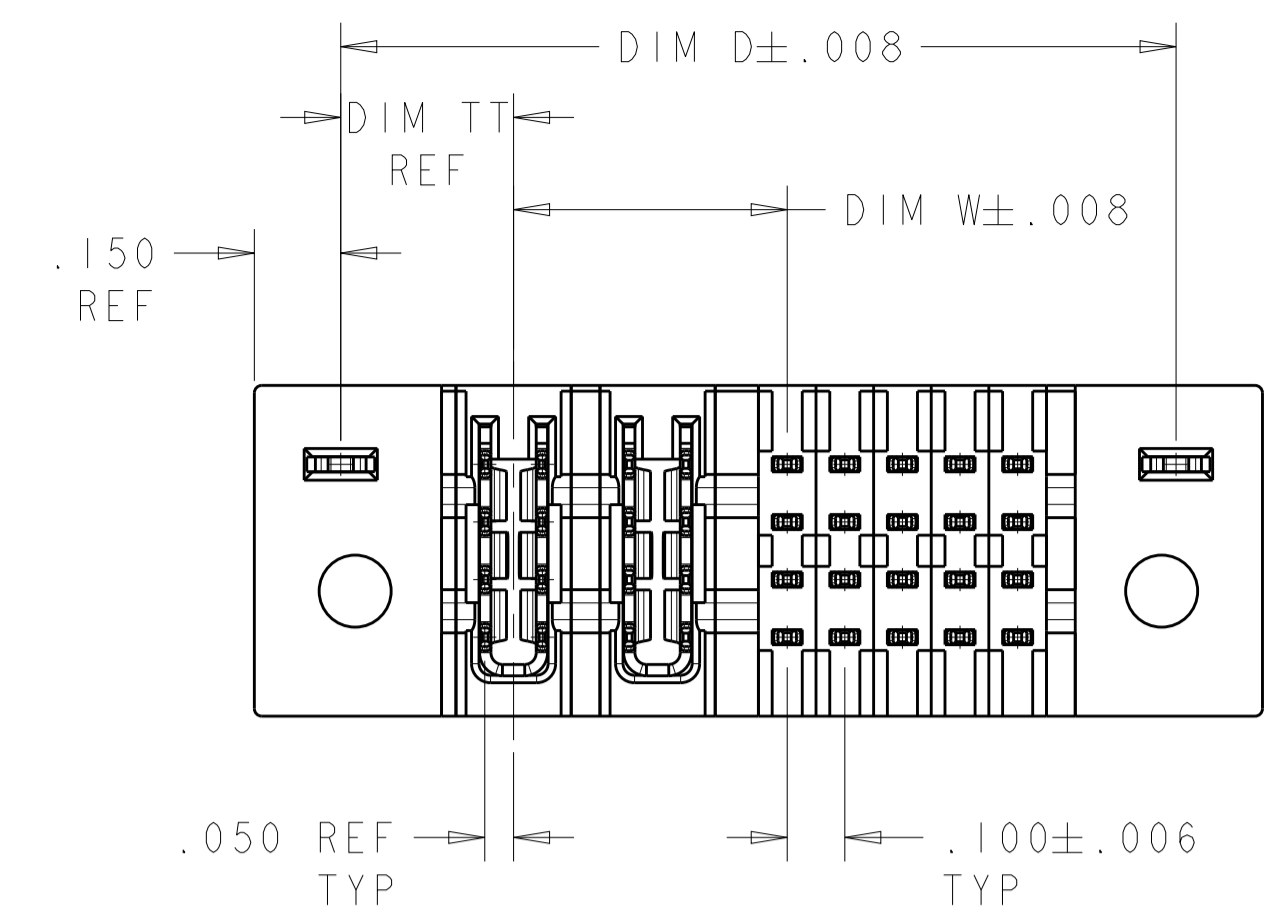


LOC		DIST		REVISIONS			
ES	00	P	LTN	DESCRIPTION	DATE	DWN	APVD
		G1		ADD NEW PART -19 AND -20	14JAN2015	AY	SZ



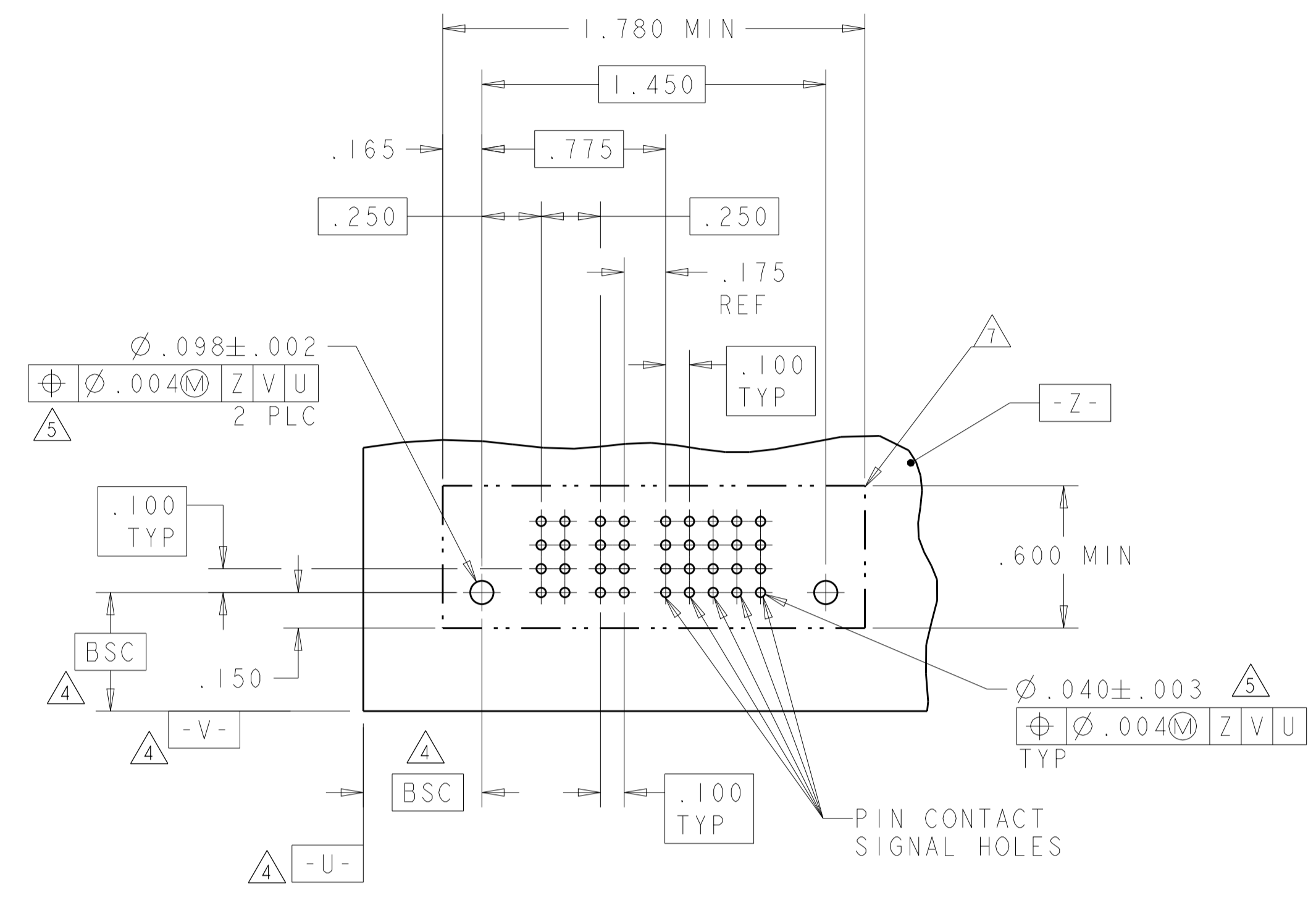
- ⚠️ HEADER HOUSING: THERMO PLASTIC, BLACK, UL94 V-O; CONTACTS AND RETENTION CLIPS: COPPER ALLOY.
- ⚠️ CONTACT PLATING: NOBLE METAL PLATING ON CONTACT FUNCTIONAL AREA OF POWER AND SIGNAL CONTACTS
RETENTION CLIP: .000115 MIN TIN.
- ⚠️ "AMP", PART NUMBER AND DATE CODE MARKED IN THIS AREA. PARTS UNDER 2.50 LONG MAY BE MARKED ON BOTH SIDES.
- ⚠️ DATUM AND BASIC DIMENSIONS ESTABLISHED BY CUSTOMER.
- ⚠️ PCB - ALL HOLE DIAMETERS ARE FINISHED HOLE SIZES.
- 6. A SEATING TOOL IS REQUIRED TO SEAT THE HEADER ON THE P.C. BOARD. PLEASE REFER TO THE 114-13038 APPLICATION SPEC.
- ⚠️ MECHANICAL CONNECTOR KEEP OUT ZONE.
- ⚠️ VARIABLE DIMENSION SHOWED ON TABLE SHEET.

-	-	.700	-	1.050	-	-	.750	NO	16S	2-6600313-0
.300	.925	1.500	.250	1.850	.275	.450	1.550	NO	4P + 8S	1-6600313-9
-	.425	3.100	.250	3.450	.275	.450	-	NO	2P + 92S	1-6600313-8
-	2.150	3.225	⚠️	3.575	.350	.525	-	NO	3ACP + 6P + 24S	1-6600313-7
.300	.925	1.800	.250	2.150	.275	.450	1.850	NO	4P + 20S	1-6600313-6
.300	.425	1.200	.250	1.550	.275	.450	1.250	YES	2P + 16S	1-6600313-5
.300	2.425	3.800	.250	4.150	.275	.450	3.850	YES	10P + 40S	1-6600313-4
.300	.975	1.650	.250	2.000	.275	.450	1.700	YES	4P + 12S	1-6600313-3
-	-	.600	-	.950	-	-	.650	YES	8S	1-6600313-2
.325	2.600	3.200	.300	3.550	.300	.475	3.250	YES	9ACP + 8S	1-6600313-1
.300	.925	1.500	.250	1.850	.275	.450	1.550	YES	4P + 8S	1-6600313-0
.275	1.800	2.400	.200	2.750	.250	.425	2.450	YES	9HDP + 8S	6600313-9
.300	1.375	1.850	.200	2.200	.275	.450	1.900	YES	7HDP + 4S	6600313-8
.325	1.825	2.825	⚠️	3.175	.300	.475	2.875	YES	3ACP + 4P + 24S	6600313-6
.325	1.500	2.250	.250	2.600	.300	.475	2.300	YES	6P + 12S	6600313-3
.300	.475	1.400	.250	1.750	.275	.450	1.450	YES	2P + 20S	6600313-2
DIM "TT"	DIM "W"	DIM "U"	DIM "S"	DIM "L"	DIM "K"	DIM "G"	DIM "D"	RETENTION CLIP	DESCRIPTION	PART NUMBER

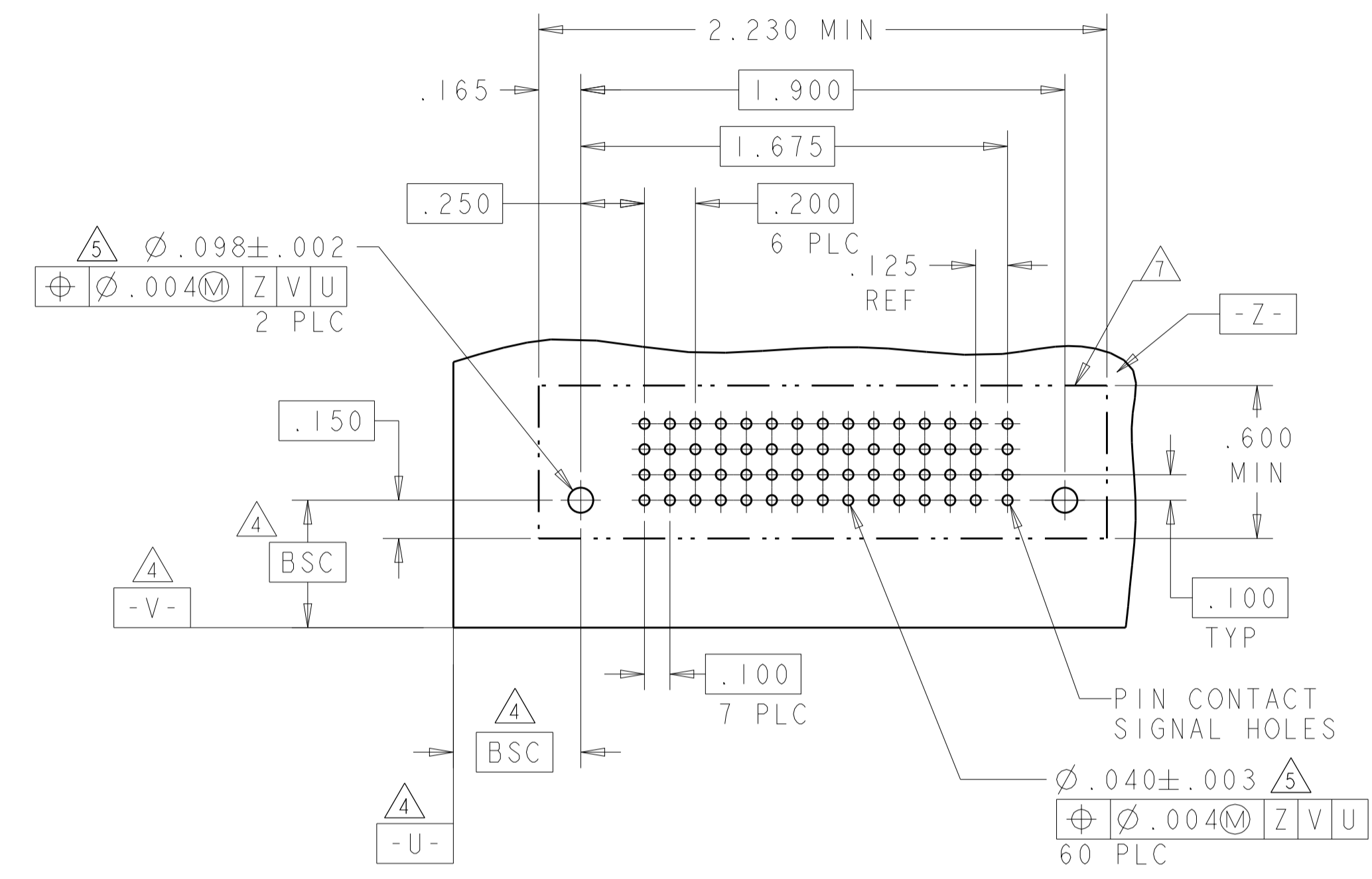
DIMENSIONS: INCH 		TOLERANCES UNLESS OTHERWISE SPECIFIED: 0 PLC ±.1 2 PLC ±.05 3 PLC ±.005 4 PLC ±. ANGLES ±. FINISH		DWN J. McCLINTON 060CT05 CHK D. TROUT 060CT05 APVD B. MLYNE 060CT05 PRODUCT SPEC 108-1973 APPLICATION SPEC 114-13038 WEIGHT CUSTOMER DRAWING		Tyco Electronics Corporation Shanghai, P.R. China. 200233 NAME VERTICAL HEADER ASSEMBLY, W/GUIDES PRESS FIT, TYPE PS MULTI-BEAM XL SIZE CAGE CODE DRAWING NO A100779C=6600313 SCALE 3:1 SHEET 1 OF 7 REV G1	
-------------------------	--	---	--	--	--	--	--

PART NUMBER	ROWS	POWER		SIGNAL					HD
		P1	P2	1	2	3	4	5	
6600313-2	D	VM	VM	EV	EV	EV	EV	EV	HD
	C			EV	EV	EV	EV		
	B			EV	EV	EV	EV		
	A			EV	EV	EV	EV		
2P+20S		HD							HD

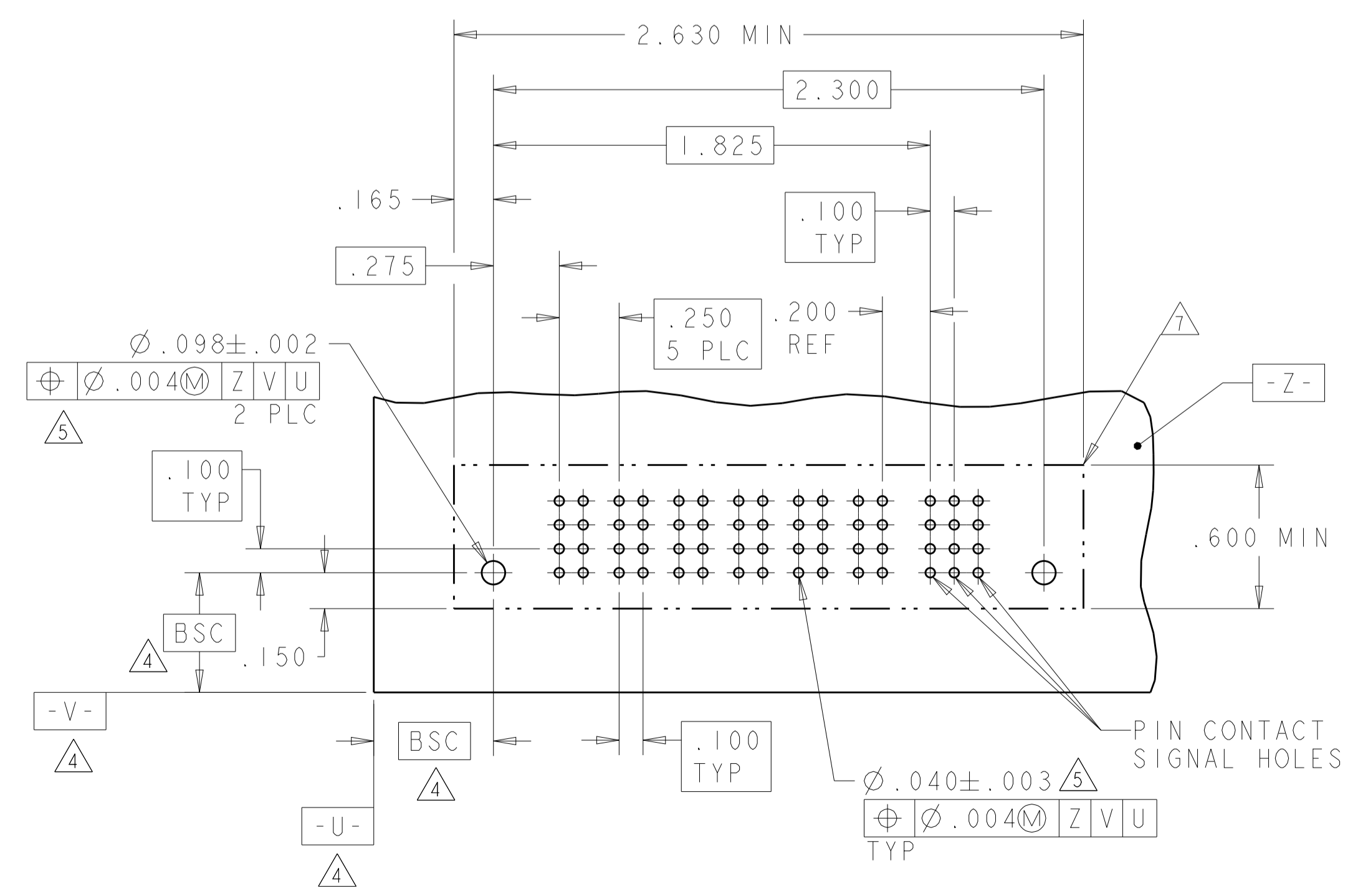
PART NUMBER	ROWS	POWER							S	HD	
		P1	P2	P3	P4	P5	P6	P7	I		
6600313-8	D	VM	VM	VM	VM	VM	VM	VM	EV	HD	
	C								EV		
	B								EV		
	A								ES		
7HDP+4S		HD									HD



RECOMMENDED PCB LAYOUT 6600313-2
 SCALE 2:1



PART NUMBER	ROWS	POWER						SIGNAL			HD
		P1	P2	P3	P4	P5	P6	1	2	3	
6600313-3	D	VM	VM	VM	VM	VM	VM	EV	EV	EV	HD
	C							EV	EV	EV	
	B							EV	EV	EV	
	A							EV	EV	EV	
6P+12S		HD								HD	



RECOMMENDED PCB LAYOUT 6600313-3
 SCALE 2:1

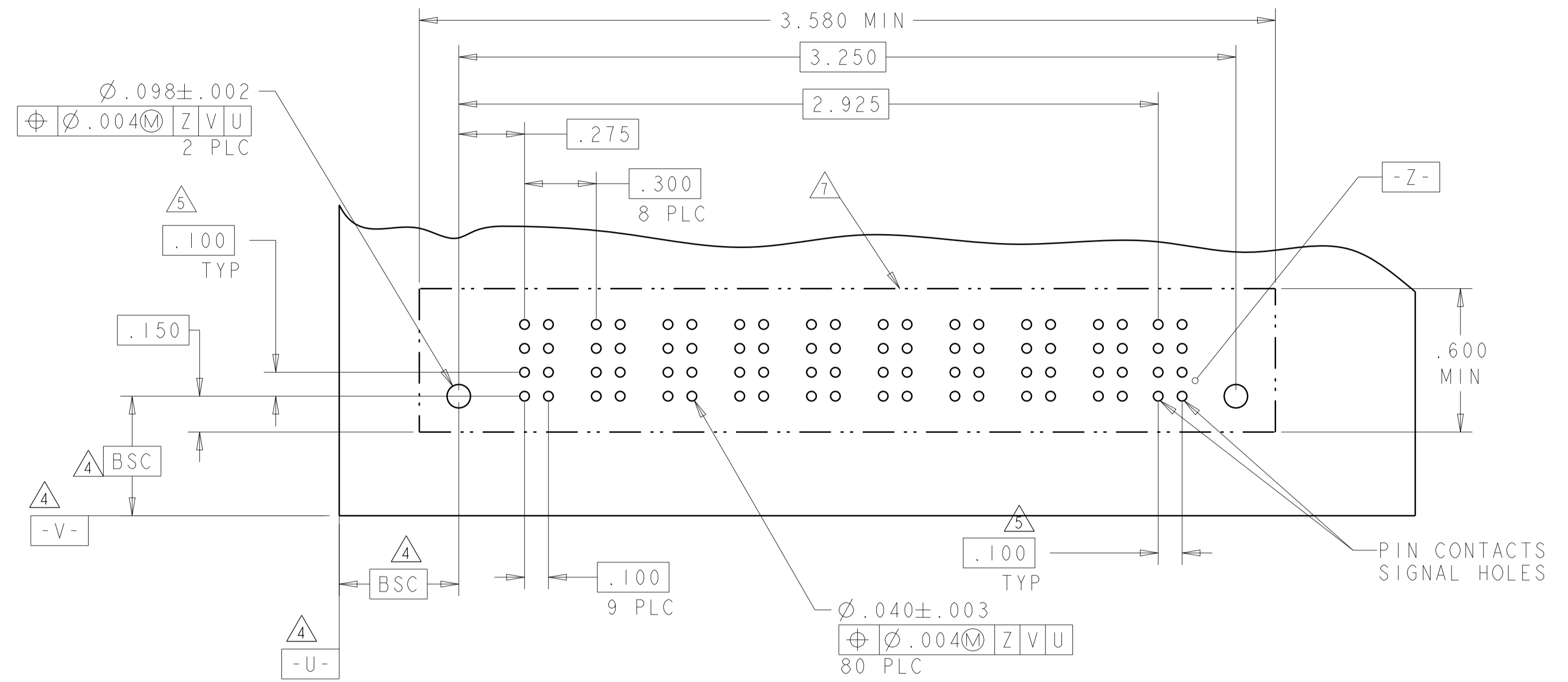
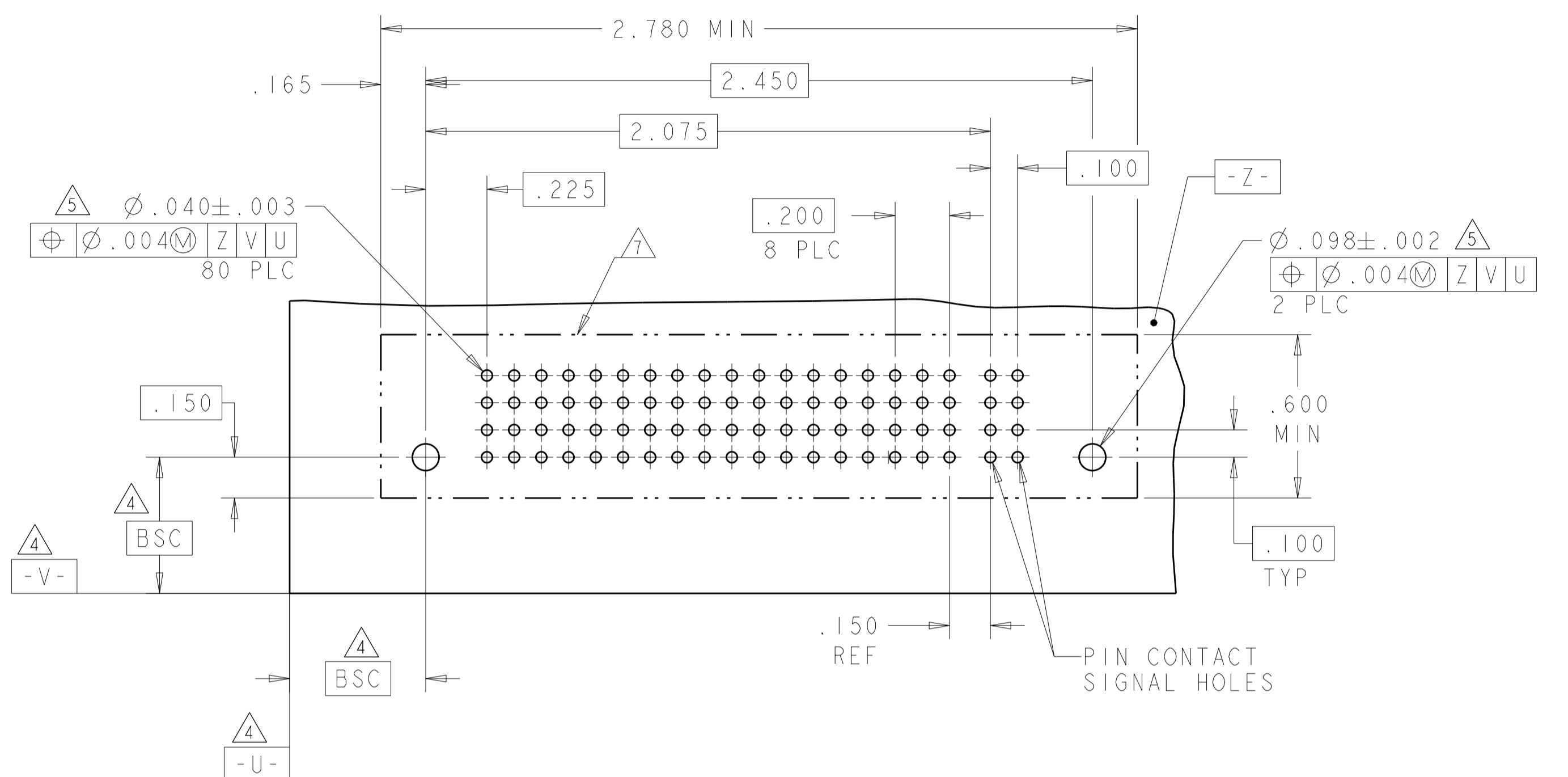
-	RETENTION CLIP	HD
MLBF	SIGNAL CONTACT, .165 TAIL LENGTH, PRESS FIT.	ES
STANDARD	SIGNAL CONTACT, .165 TAIL LENGTH, PRESS FIT.	EV
-	POWER CONTACT, .165 TAIL LENGTH, PRESS FIT.	VM
MATING SEQUENCE	DESCRIPTION	IDENTIFIER

DIMENSIONS: INCH 		TOLERANCES UNLESS OTHERWISE SPECIFIED: 0 PLC ± 1 PLC ±0.1 2 PLC ± 3 PLC ±0.005 4 PLC ± ANGLES ±		DWN J. McCLINTON 06OCT05 CHK D. TROUT 06OCT05 APVD P. MLYNE 06OCT05 PRODUCT SPEC 108-1973 APPLICATION SPEC 114-13038 WEIGHT CUSTOMER DRAWING		Tyco Electronics Corporation Shanghai, P.R. China. 200233 NAME VERTICAL HEADER ASSEMBLY, W/GUIDES PRESS FIT, TYPE PS MULTI-BEAM XL SIZE CAGE CODE DRAWING NO. RESTRICTED TO A100779C=6600313 SCALE 3:1 SHEET 2 OF 7 REV G1	
-------------------------	--	---	--	--	--	--	--

LOC		DIST		REVISIONS				
ES	00	P	LTN	DESCRIPTION	DATE	DMN	APVD	
		-		SEE SHEET 1				

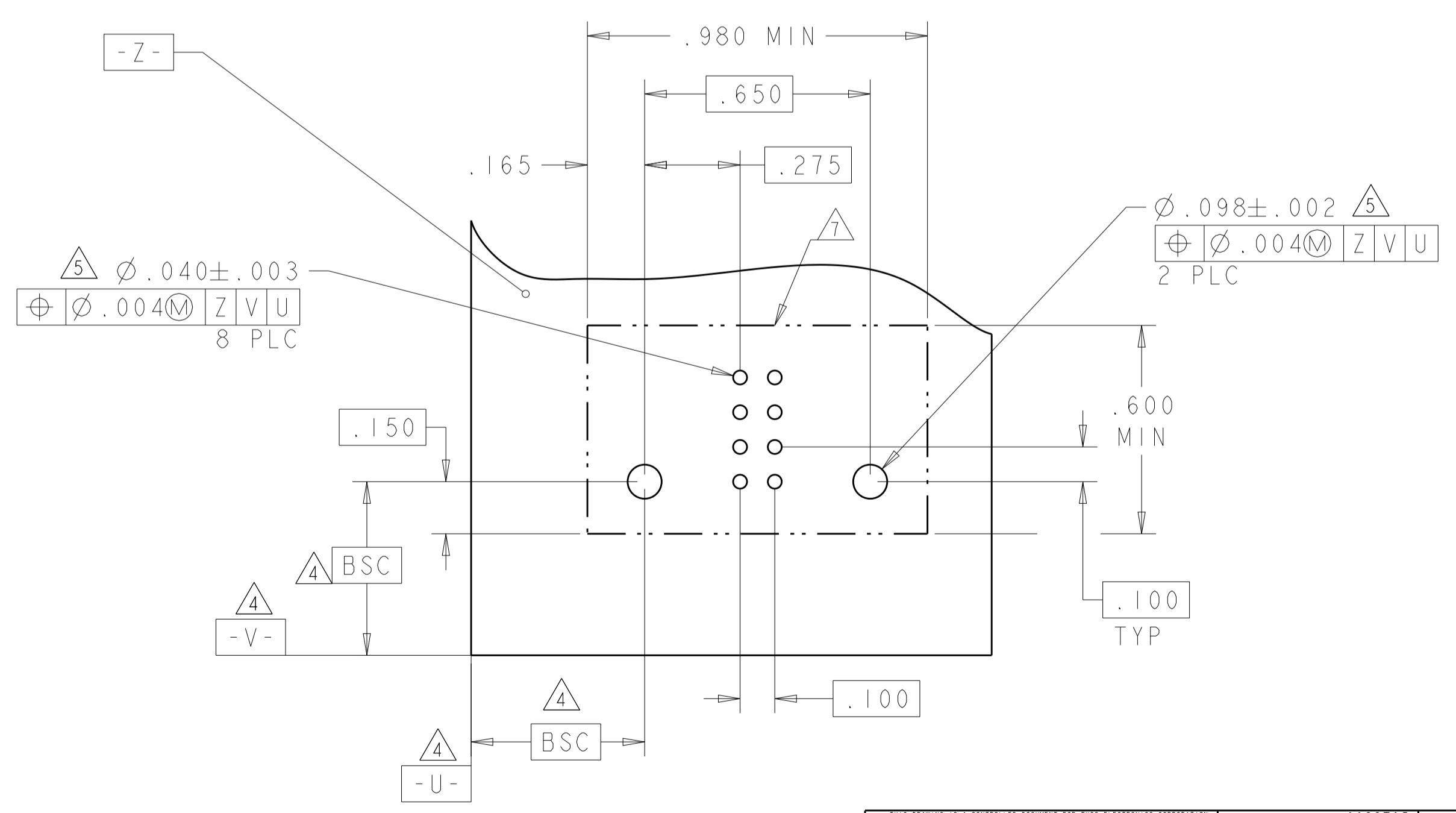
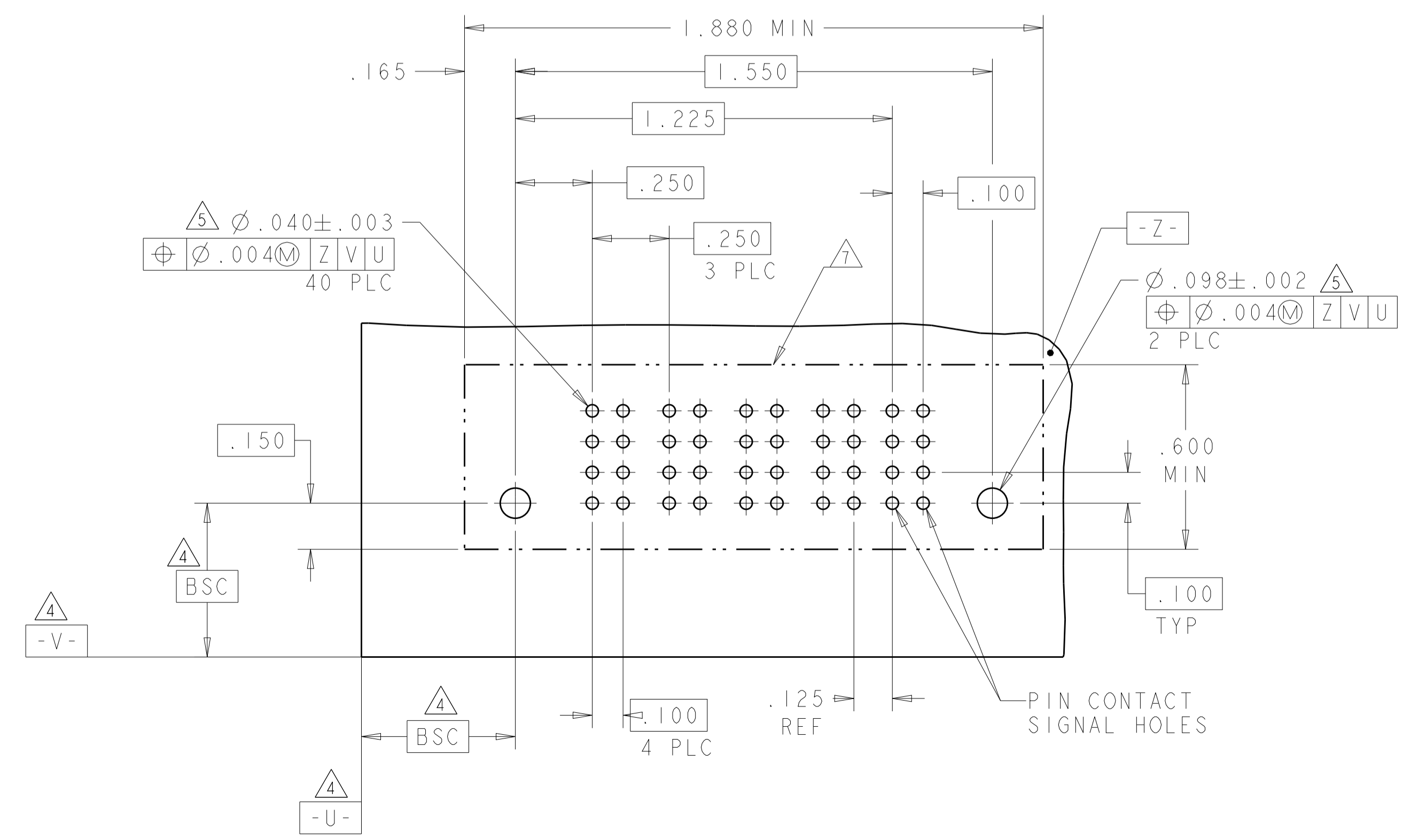
PART NUMBER	ROWS	POWER								S		
		P1	P2	P3	P4	P5	P6	P7	P8	P9	1	2
6600313-9	D	VM	VM	VM	VM	VM	VM	VM	VM	VM	EV	EV
	C										EV	EV
	B										EV	EV
	A										EV	EV
9HDP+8S	HD											HD

PART NUMBER	ROWS	POWER									S	
		P1	P2	P3	P4	P5	P6	P7	P8	P9	1	2
I-6600313-1	D	VM	VM	VM	VM	VM	VM	VM	VM	VM	EV	EV
	C										EV	EV
	B										EV	EV
	A										EV	EV
9ACP+8S	HD											HD



PART NUMBER	ROWS	POWER				S	
		P1	P2	P3	P4	1	2
I-6600313-0	D	VM	VM	VM	VM	EV	EV
	C					EV	EV
	B					EV	EV
	A					EV	ES
4P + 8S	HD						HD

PART NUMBER	ROWS	S	
		1	2
I-6600313-2	D	EV	EV
	C	EV	EV
	B	EV	EV
	A	EV	EV
8S	HD		HD

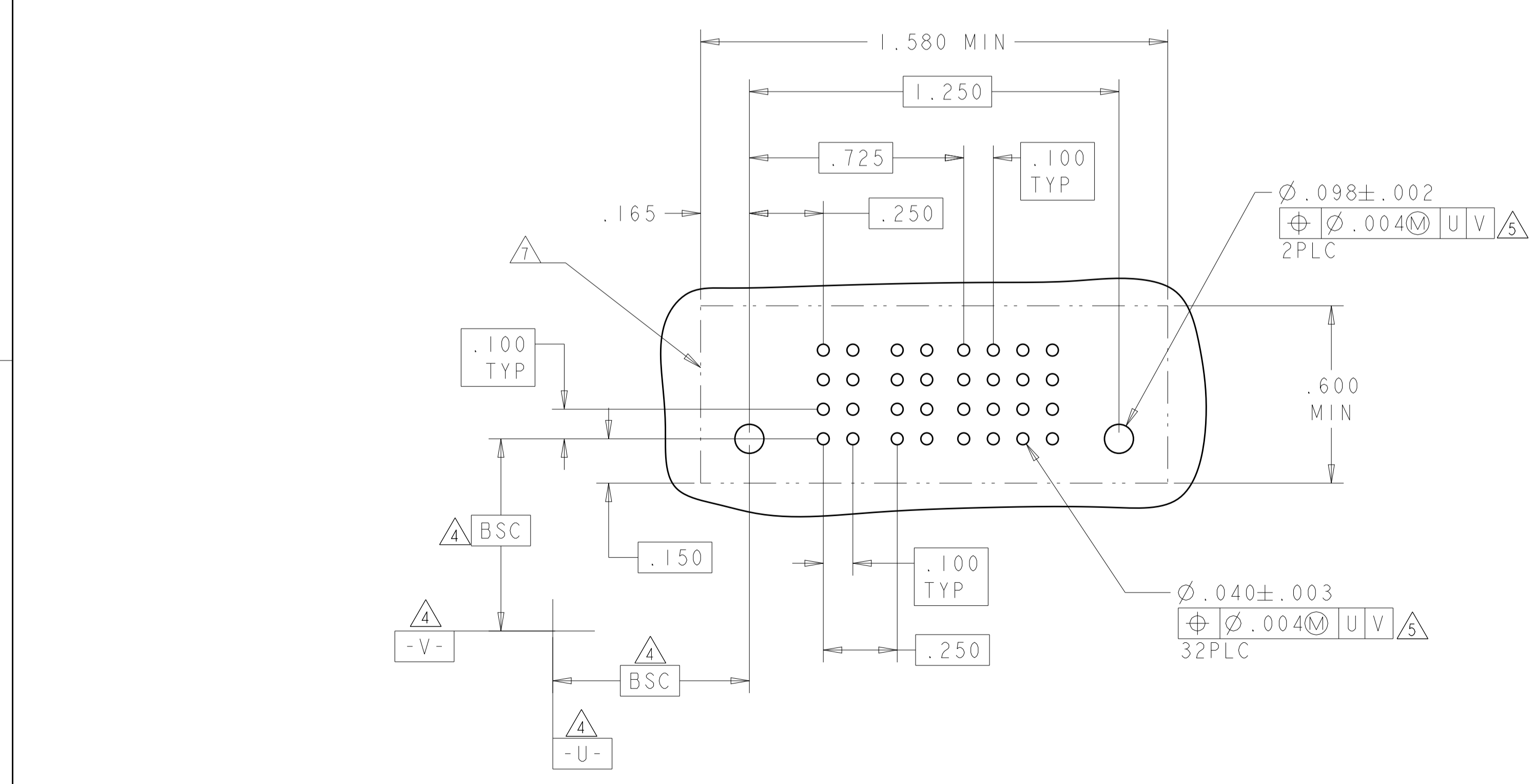
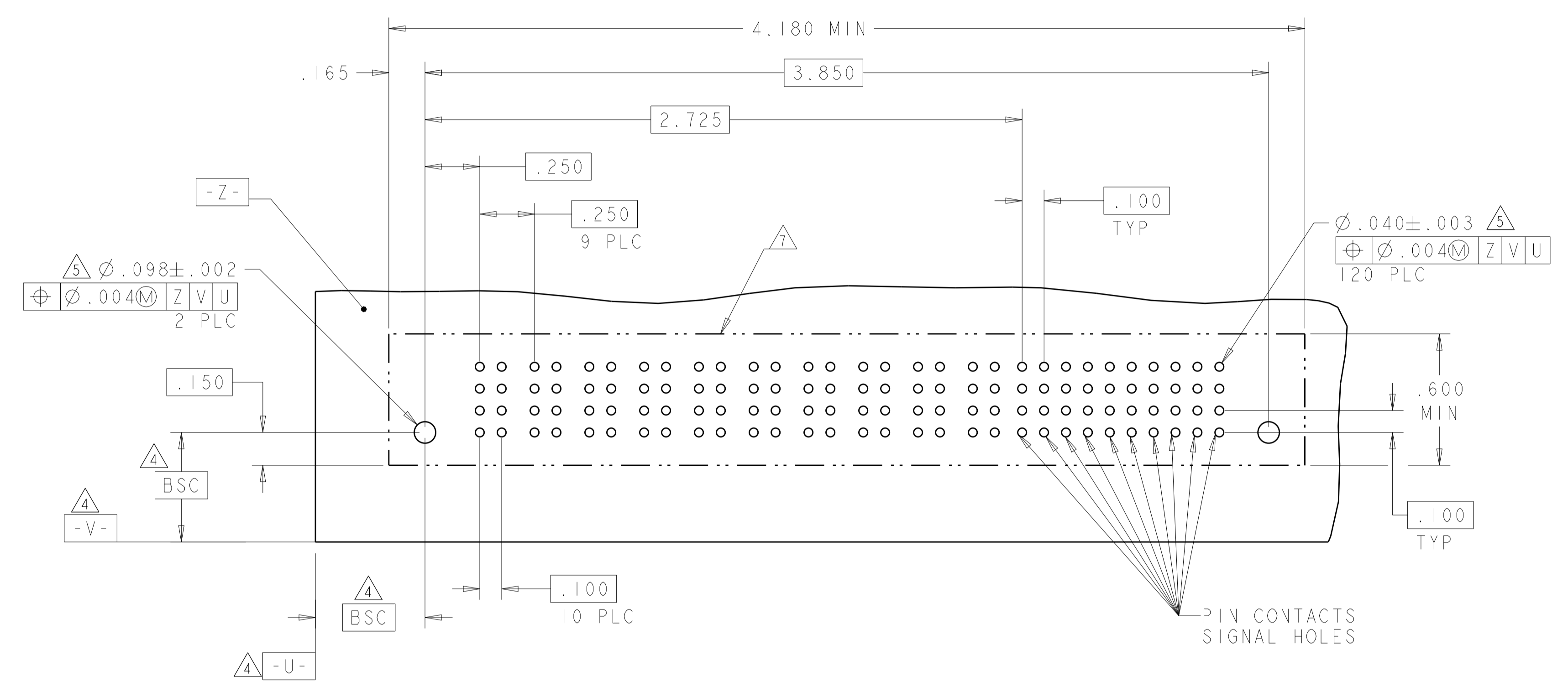
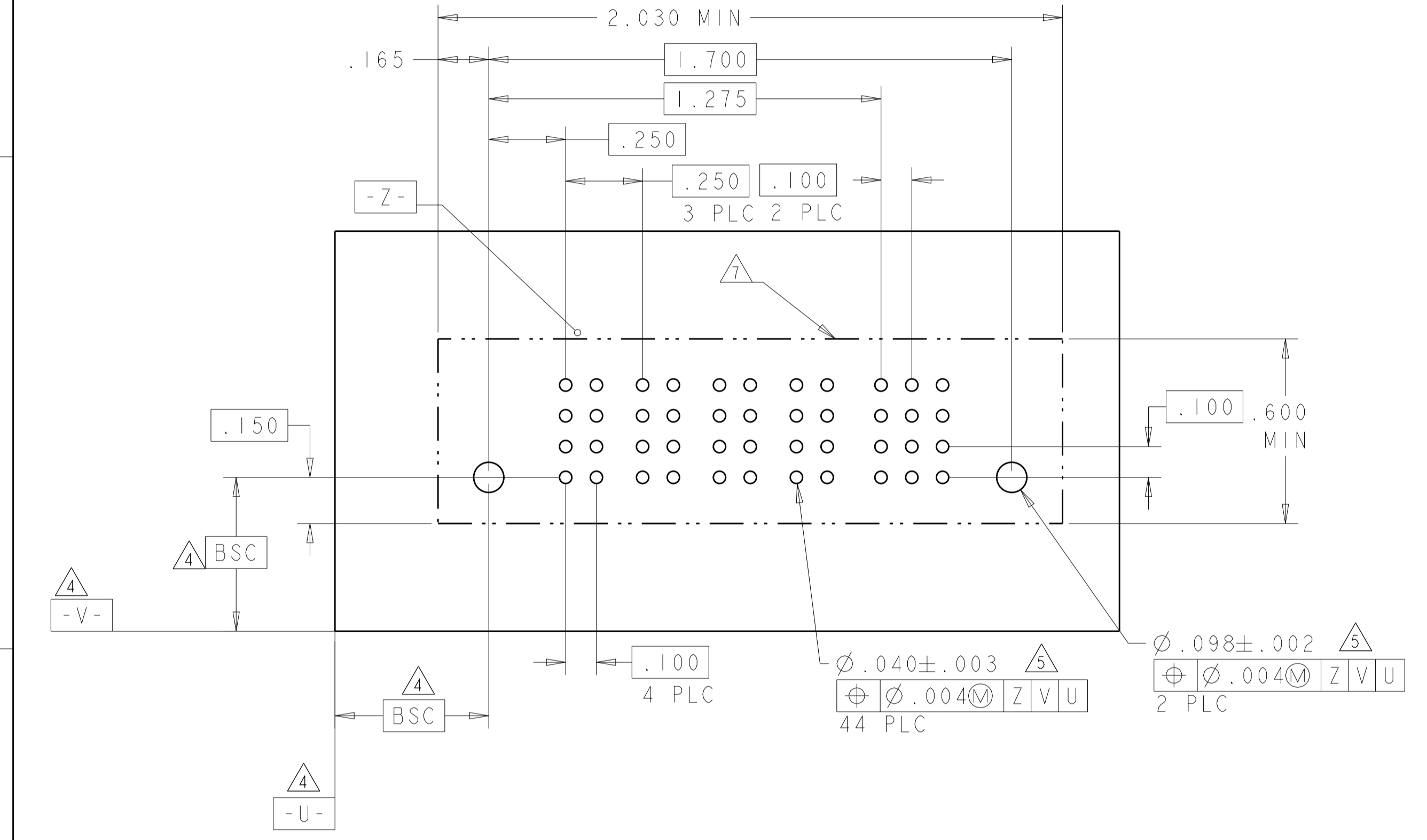


DIMENSIONS:		TOLERANCES UNLESS OTHERWISE SPECIFIED:		DMN	J. McCLINTON	06OCT05	Tyco Electronics Corporation Shanghai, P.R. China. 200233
INCH		0 PLC ±.1 1 PLC ±.1 2 PLC ±.1 3 PLC ±.005 4 PLC ±.005		CHK	D. TROUT	06OCT05	
MATERIAL		FINISH		APVD	P. MHYNE	06OCT05	NAME VERTICAL HEADER ASSEMBLY, W/GUIDES PRESS FIT, TYPE PS MULTI-BEAM XL
				PRODUCT SPEC		108-1973	
				APPLICATION SPEC		114-13038	SIZE
				ANGLES			CAGE CODE
				WEIGHT			DRAWING NO
				CUSTOMER DRAWING			RESTRICTED TO
				SCALE	3:1	SHEET 3 OF 7	REV

LOC	DIST	REVISIONS				
P	LTH	DESCRIPTION	DATE	OWN	APP'D	
-	SEE SHEET 1					

PART NUMBER	ROWS	POWER				S		
		P1	P2	P3	P4	1	2	3
1-6600313-3	D	VM	VM	VM	VM	EV	EV	EV
	C					EV	EV	EV
	B					EV	EV	EV
	A					EV	EV	EV
4P + 12S	HD							HD

PART NUMBER	ROWS	POWER										SIGNAL																			
		P1	P2	P3	P4	P5	P6	P7	P8	P9	P10	1	2	3	4	5	6	7	8	9	10										
1-6600313-4	D	VM	VM	VM	VM	VM	VM	VM	VM	VM	VM	EV	EV	EV	EV	EV	EV	EV	EV	EV	EV										
	C											EV	EV	EV	EV	EV	EV	EV	EV	EV	EV	EV	EV	EV	EV	EV	EV	EV	EV		
	B											EV	EV	EV	EV	EV	EV	EV	EV	EV	EV	EV	EV	EV	EV	EV	EV	EV	EV	EV	EV
	A											EV	EV	EV	EV	EV	EV	EV	EV	EV	EV	EV	EV	EV	EV	EV	EV	EV	EV	EV	EV
10P+40S	HD																					HD									



PART NUMBER	ROWS	POWER		SIGNAL				
		P1	P2	1	2	3	4	
1-6600313-5	D	VM	VM	EV	EV	EV	EV	
	C			EV	EV	EV	EV	
	B			EV	EV	EV	EV	
	A			EV	EV	EV	EV	
2P + 16S	HD							HD

THIS DRAWING IS UNPUBLISHED. IT IS THE PROPERTY OF TYCO ELECTRONICS CORPORATION AND IS TO BE CONTROLLED AND DISTRIBUTED IN ACCORDANCE WITH THE POLICY OF TYCO ELECTRONICS CORPORATION. IT IS THE RESPONSIBILITY OF THE USER TO CONTACT TYCO ELECTRONICS CORPORATION FOR THE LATEST REVISION.

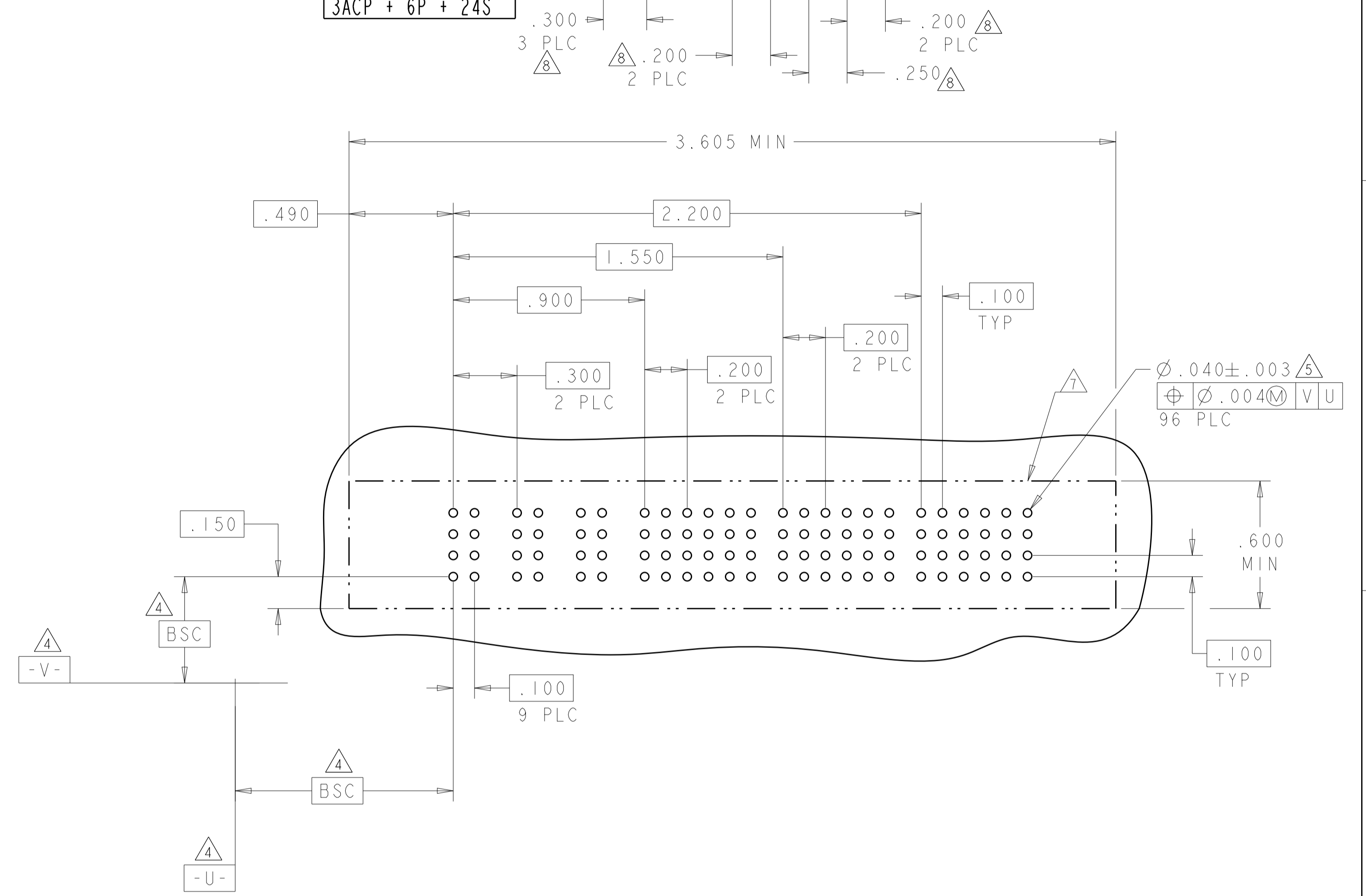
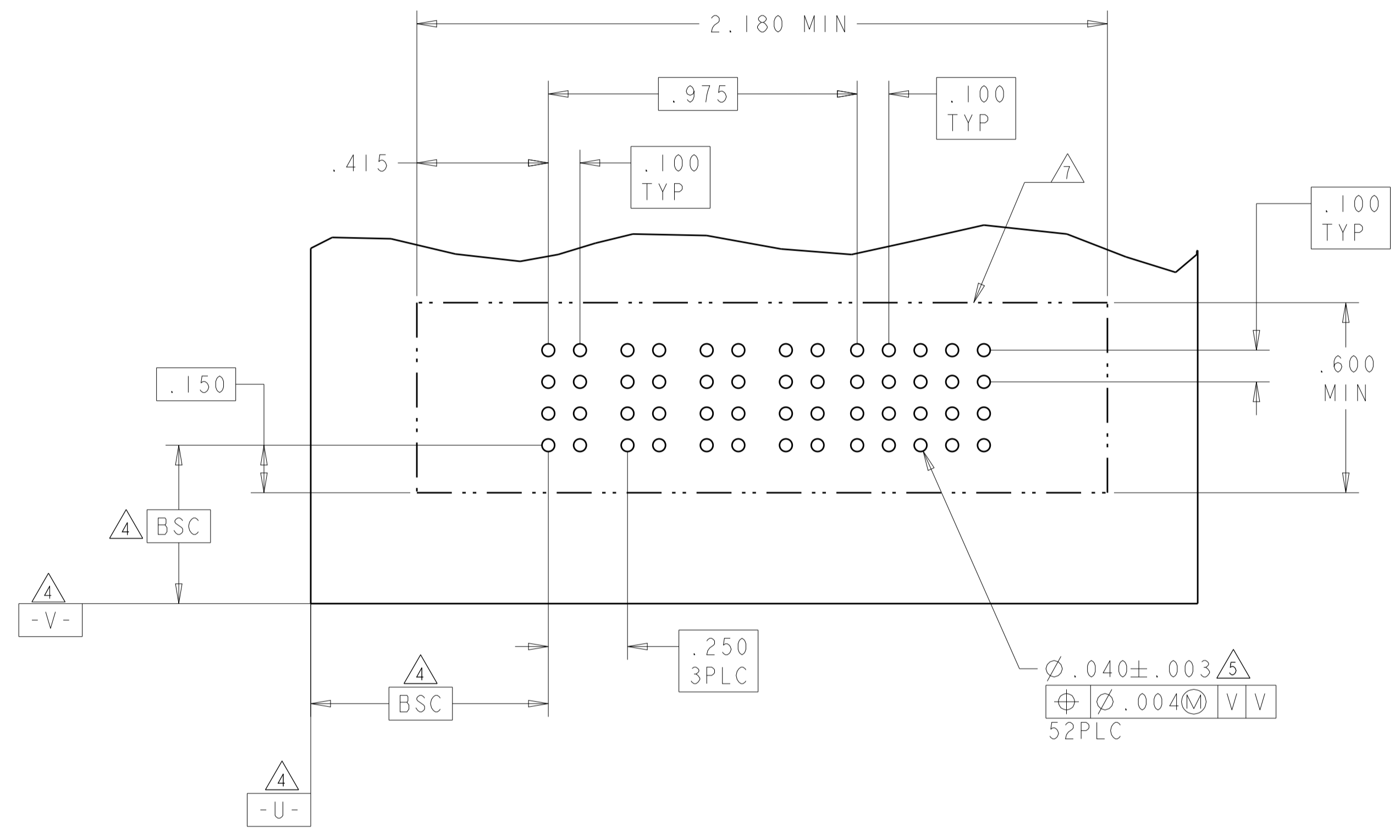
DIMENSIONS: INCH	TOLERANCES UNLESS OTHERWISE SPECIFIED: 0 PLC ±.1 1 PLC ±.1 2 PLC ±.1 3 PLC ±.005 4 PLC ±.1	DWN: J. McCLINTON 06OCT05 CHK: D. TROUT 06OCT05 APP'D: B. WHYNE 06OCT05	Tyco Electronics Corporation Shanghai, P.R. China. 200233
MATERIAL:	FINISH:	PRODUCT SPEC: 108-1973 APPLICATION SPEC: 114-13038 WEIGHT: -	NAME: VERTICAL HEADER ASSEMBLY, W/GUIDES PRESS FIT, TYPE PS MULTI-BEAM XL SIZE: A 00779 C=6600313
CUSTOMER DRAWING		SCALE: 3:1	SHEET 4 OF 7 REV G1

LOC	DIST	REV	DATE	BY	APPV
ES	00				

REVISIONS		DATE	BY	APPV
1	SEE SHEET 1			

PART NUMBER	ROWS	POWER				S				
		P1	P2	P3	P4	1	2	3	4	5
I-6600313-6	D	VM	VM	VM	VM	EV	EV	EV	EV	EV
	C					EV	EV	EV	EV	EV
	B					EV	EV	EV	EV	EV
	A					EV	EV	EV	EV	EV
4P + 20S										

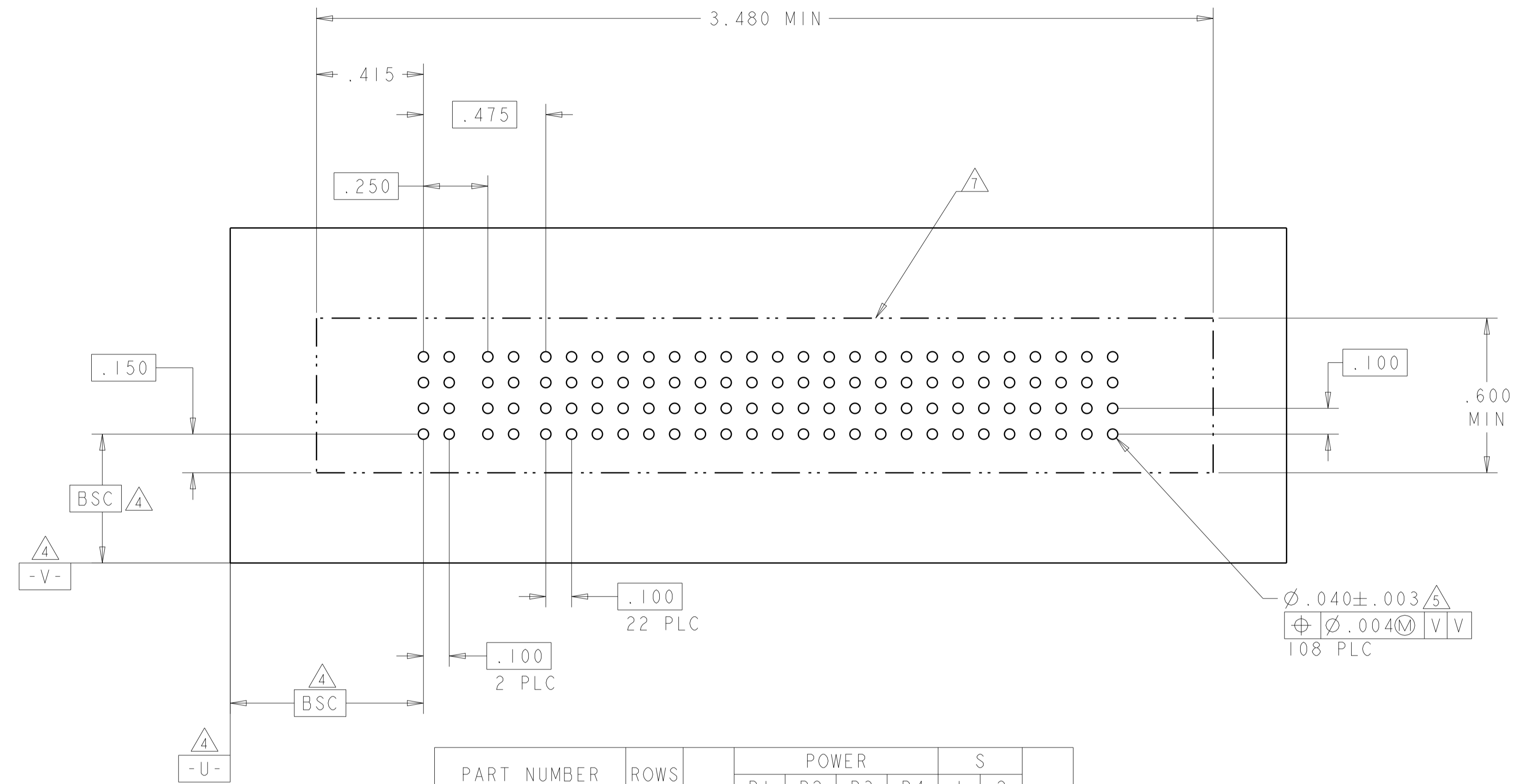
PART NUMBER	ROWS	POWER								SIGNAL						
		P1	P2	P3	P4	P5	P6	P7	P8	P9	1	2	3	4	5	6
I-6600313-7	D	VM	VM	VM	VM	VM	VM	VM	VM	VM	EV	ES	EV	EV	EV	ES
	C										EV	EV	EV	EV	ES	ES
	B										EV	EV	EV	EV	ES	ES
	A										EV	EV	EV	EV	ES	EV
3ACP + 6P + 24S																



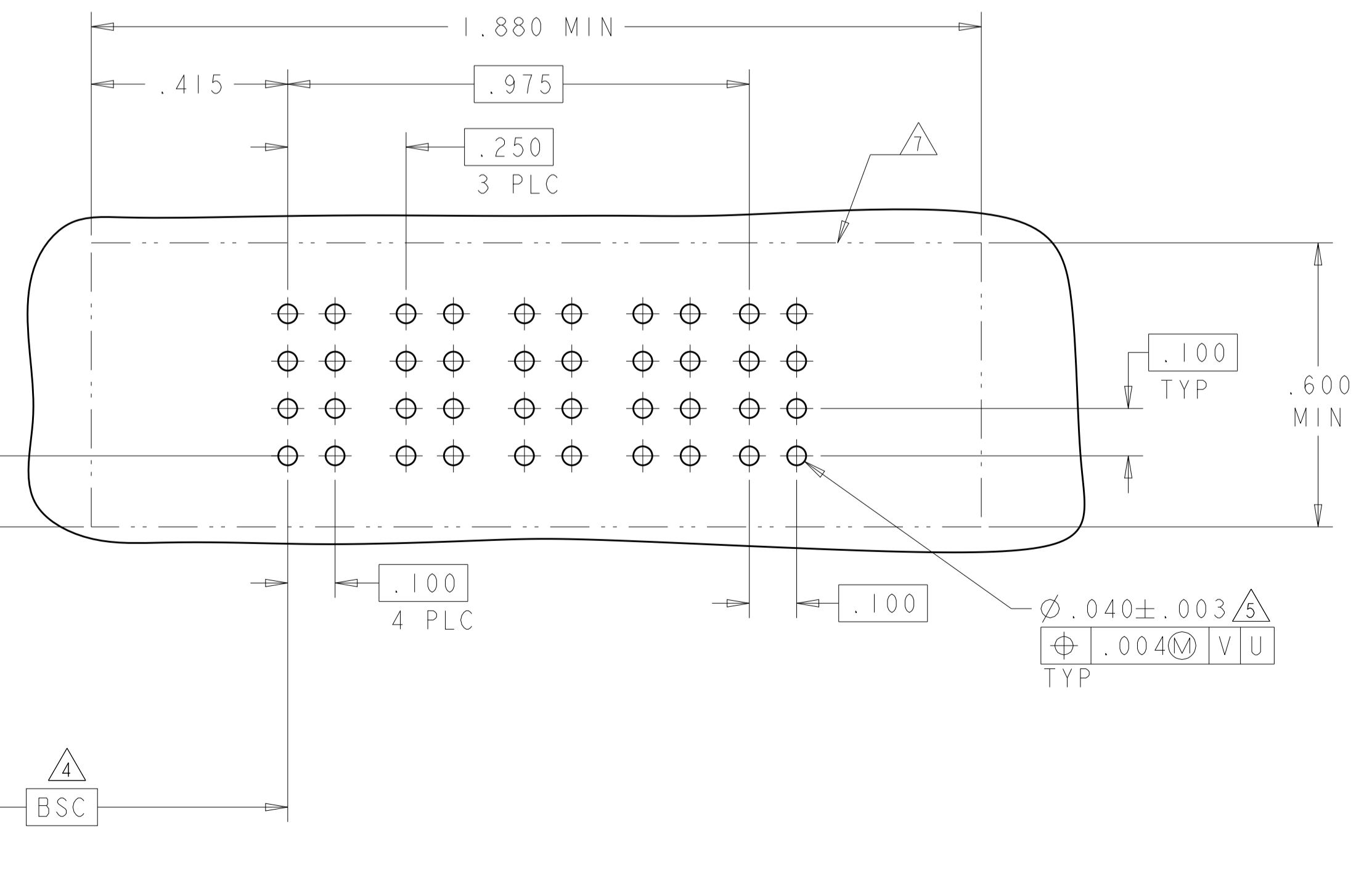
<small>THIS DRAWING IS UNPUBLISHED. RELEASED FOR PUBLICATION. IT IS THE POLICY OF TYCO ELECTRONICS CORPORATION TO CONTINUE TO IMPROVE ITS PRODUCTS. THE USER IS ADVISED TO CONTACT TYCO ELECTRONICS CORPORATION FOR THE LATEST REVISION.</small>		DWN: J. McCLINTON 06OCT05 CHK: D. TROUT 06OCT05 APVD: P. WHYNE 06OCT05	Tyco Electronics Corporation Shanghai, P.R. China. 200233
DIMENSIONS: INCH 	TOLERANCES UNLESS OTHERWISE SPECIFIED: 0 PLC ±. 1 PLC ±0.1 2 PLC ±. 3 PLC ±0.005 4 PLC ±. ANGLES ±. FINISH	NAME: VERTICAL HEADER ASSEMBLY, W/GUIDES PRESS FIT, TYPE PS MULTI-BEAM XL PRODUCT SPEC: 108-1973 APPLICATION SPEC: 114-13038 WEIGHT:	SIZE: A CAGE CODE: 00779 DRAWING NO: 6600313 RESTRICTED TO:
MATERIAL:	FINISH:	CUSTOMER DRAWING SCALE: 3:1 SHEET: 5 of 7 REV: G1	

LOC		DIST		REVISIONS			
ES	00	P	LTH	DESCRIPTION	DATE	DMN	APVD
		-		SEE SHEET 1			

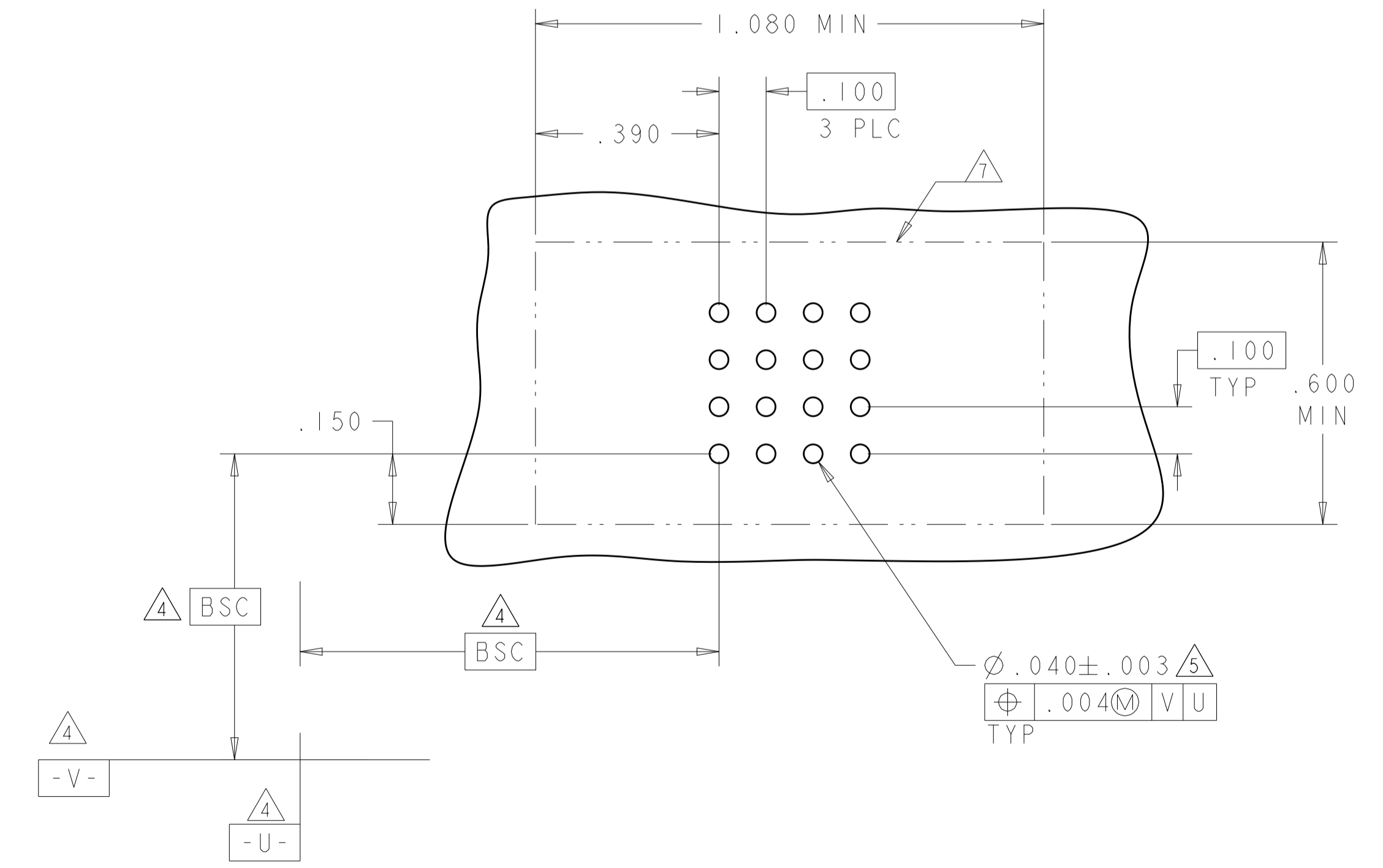
PART NUMBER	ROWS	POWER		SIGNAL																									
		P1	P2	1	2	3	4	5	6	7	8	9	10	11	12	13	14	15	16	17	18	19	20	21	22	23			
1-6600313-8	D	VM	VM	EV	EV	EV	EV	EV	EV	EV	EV	EV	EV	EV	EV	EV	EV	EV	EV	EV	EV	EV	EV	EV	EV	EV	EV		
	C			EV	EV	EV	EV	EV	EV	EV	EV	EV	EV	EV	EV	EV	EV	EV	EV	EV	EV	EV	EV	EV	EV	EV	EV	EV	
	B			EV	EV	EV	EV	EV	EV	EV	EV	EV	EV	EV	EV	EV	EV	EV	EV	EV	EV	EV	EV	EV	EV	EV	EV	EV	EV
	A			EV	EV	EV	EV	EV	EV	EV	EV	EV	EV	EV	EV	EV	EV	EV	EV	EV	EV	EV	EV	EV	EV	EV	EV	EV	EV
2P + 92S																													



PART NUMBER	ROWS	POWER				S	
		P1	P2	P3	P4	1	2
1-6600313-9	D	VM	VM	VM	VM	EV	EV
	C					EV	EV
	B					EV	EV
	A					EV	EV
4P + 8S							



PART NUMBER	ROWS	S			
		1	2	3	4
2-6600313-0	D	ES	EV	ES	ES
	C	ES	EV	ES	ES
	B	ES	EV	ES	ES
	A	ES	EV	ES	ES
16S					

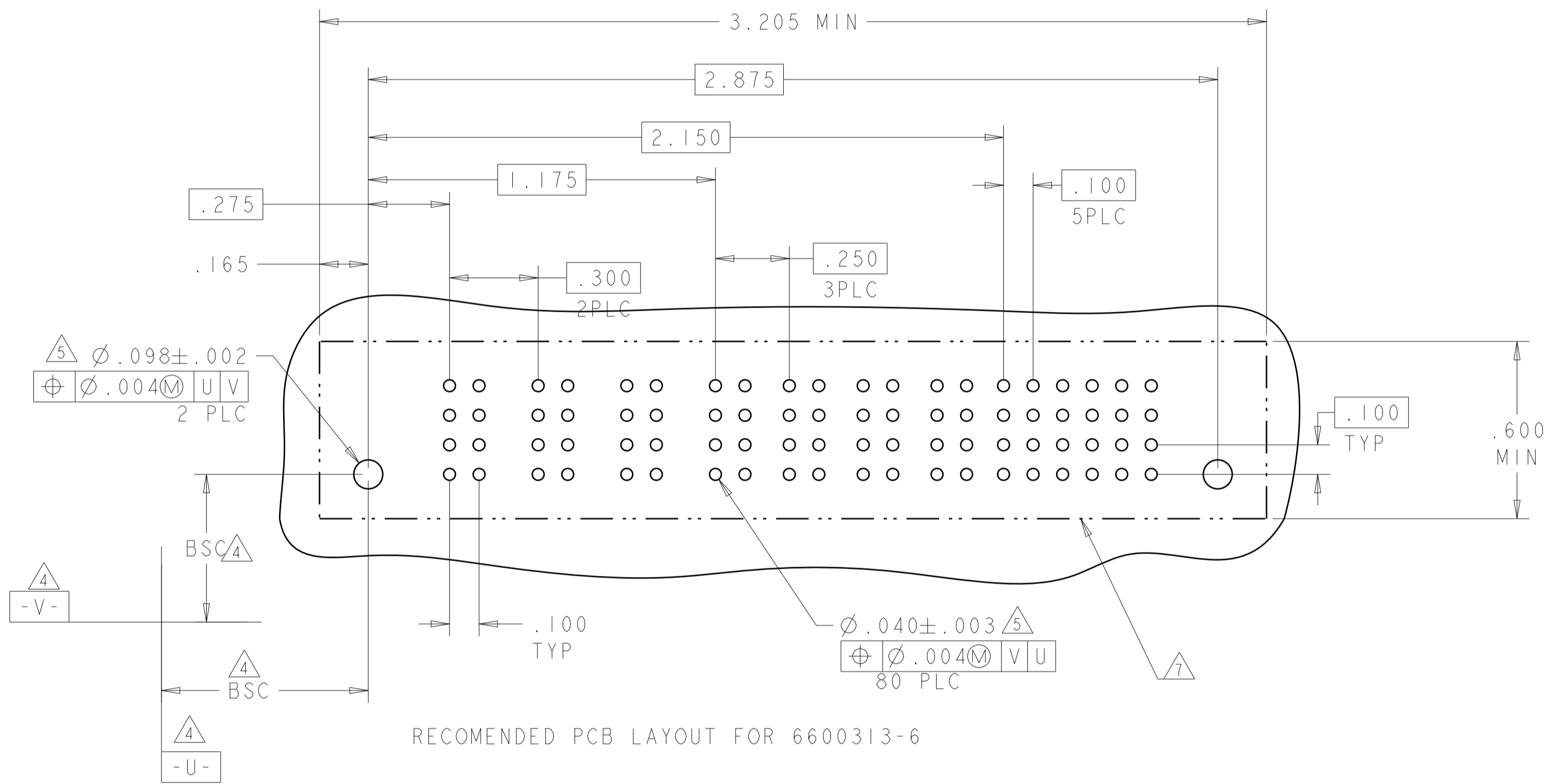
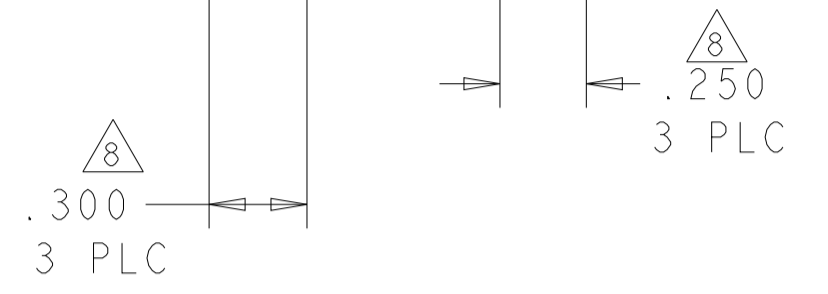


<small>THIS DRAWING IS UNPUBLISHED. RELEASED FOR PUBLICATION BY TYCO ELECTRONICS CORPORATION. ALL RIGHTS RESERVED.</small>		DMN: J. McCLINTON 06OCT05 CHK: D. TROUT 06OCT05 APVD: B. WHYNE 06OCT05	Tyco Electronics Corporation Shanghai, P.R. China. 200233
DIMENSIONS: INCH 	TOLERANCES UNLESS OTHERWISE SPECIFIED: 0 PLC ±.1 1 PLC ±.1 2 PLC ±.05 3 PLC ±.05 4 PLC ±.05 ANGLES ±.1	NAME: VERTICAL HEADER ASSEMBLY, W/GUIDES PRESS FIT, TYPE PS MULTI-BEAM XL PRODUCT SPEC: 108-1973 APPLICATION SPEC: 114-13038 WEIGHT: - CUSTOMER DRAWING	SIZE: A1 CAGE CODE: 00779 DRAWING NO: 6600313 SCALE: 3:1 SHEET: 6 OF 7 REV: G1

LOC	DIST	REVISIONS					
ES	00	P	LTH	DESCRIPTION	DATE	DWN	APVD
		-		SEE SHEET 1			

PART NUMBER	ROWS	POWER							SIGNAL					
		P1	P2	P3	P4	P5	P6	P7	1	2	3	4	5	6
6600313-6	D	VM	VM	VM	VM	VM	VM	VM	EV	ES	EV	EV	EV	ES
	C	VM	VM	VM	VM	VM	VM	VM	EV	ES	EV	EV	EV	ES
	B	VM	VM	VM	VM	VM	VM	VM	EV	ES	EV	EV	EV	ES
	A	VM	VM	VM	VM	VM	VM	VM	EV	ES	EV	EV	EV	ES

3ACP + 4P + 24S



<small>THIS DRAWING IS UNPUBLISHED. RELEASED FOR PUBLICATION BY TYCO ELECTRONICS CORPORATION. ALL RIGHTS RESERVED.</small>		DWN: J. McCLINTON 06OCT05 CHK: D. TROUT 06OCT05 APVD: B. WHYNE 06OCT05	Tyco Electronics Corporation Shanghai, P.R. China. 200233
DIMENSIONS: INCH	TOLERANCES UNLESS OTHERWISE SPECIFIED: 0 PLC ± 1 PLC ±0.1 2 PLC ± 3 PLC ±0.005 4 PLC ± ANGLES ± FINISH	NAME: VERTICAL HEADER ASSEMBLY, W/GUIDES PRESS FIT, TYPE PS MULTI-BEAM XL PRODUCT SPEC: 108-1973 APPLICATION SPEC: SIZE: 114-13038 WEIGHT:	RESTRICTED TO:
MATERIAL:	FINISH:	CUSTOMER DRAWING SCALE: 3:1 SHEET: 7 OF 7 REV: G1	A 00779 6600313

Компания «Океан Электроники» предлагает заключение долгосрочных отношений при поставках импортных электронных компонентов на взаимовыгодных условиях!

Наши преимущества:

- Поставка оригинальных импортных электронных компонентов напрямую с производств Америки, Европы и Азии, а так же с крупнейших складов мира;
- Широкая линейка поставок активных и пассивных импортных электронных компонентов (более 30 млн. наименований);
- Поставка сложных, дефицитных, либо снятых с производства позиций;
- Оперативные сроки поставки под заказ (от 5 рабочих дней);
- Экспресс доставка в любую точку России;
- Помощь Конструкторского Отдела и консультации квалифицированных инженеров;
- Техническая поддержка проекта, помощь в подборе аналогов, поставка прототипов;
- Поставка электронных компонентов под контролем ВП;
- Система менеджмента качества сертифицирована по Международному стандарту ISO 9001;
- При необходимости вся продукция военного и аэрокосмического назначения проходит испытания и сертификацию в лаборатории (по согласованию с заказчиком);
- Поставка специализированных компонентов военного и аэрокосмического уровня качества (Xilinx, Altera, Analog Devices, Intersil, Interpoint, Microsemi, Actel, Aeroflex, Peregrine, VPT, Syfer, Eurofarad, Texas Instruments, MS Kennedy, Miteq, Cobham, E2V, MA-COM, Hittite, Mini-Circuits, General Dynamics и др.);

Компания «Океан Электроники» является официальным дистрибьютором и эксклюзивным представителем в России одного из крупнейших производителей разъемов военного и аэрокосмического назначения «JONHON», а так же официальным дистрибьютором и эксклюзивным представителем в России производителя высокотехнологичных и надежных решений для передачи СВЧ сигналов «FORSTAR».



JONHON

«JONHON» (основан в 1970 г.)

Разъемы специального, военного и аэрокосмического назначения:

(Применяются в военной, авиационной, аэрокосмической, морской, железнодорожной, горно- и нефтедобывающей отраслях промышленности)

«FORSTAR» (основан в 1998 г.)

ВЧ соединители, коаксиальные кабели, кабельные сборки и микроволновые компоненты:

(Применяются в телекоммуникациях гражданского и специального назначения, в средствах связи, РЛС, а так же военной, авиационной и аэрокосмической отраслях промышленности).



Телефон: 8 (812) 309-75-97 (многоканальный)

Факс: 8 (812) 320-03-32

Электронная почта: ocean@oceanchips.ru

Web: <http://oceanchips.ru/>

Адрес: 198099, г. Санкт-Петербург, ул. Калинина, д. 2, корп. 4, лит. А