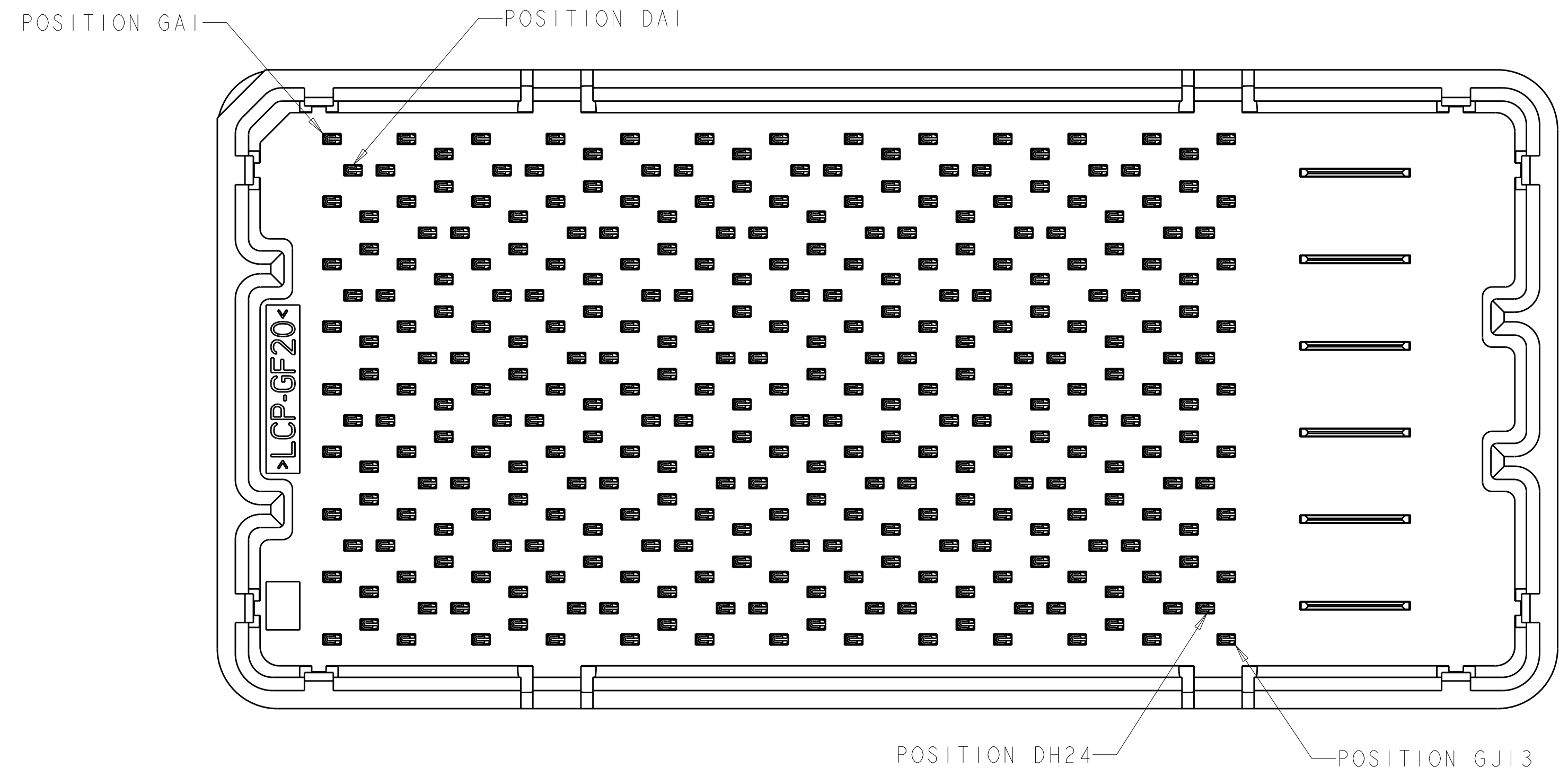
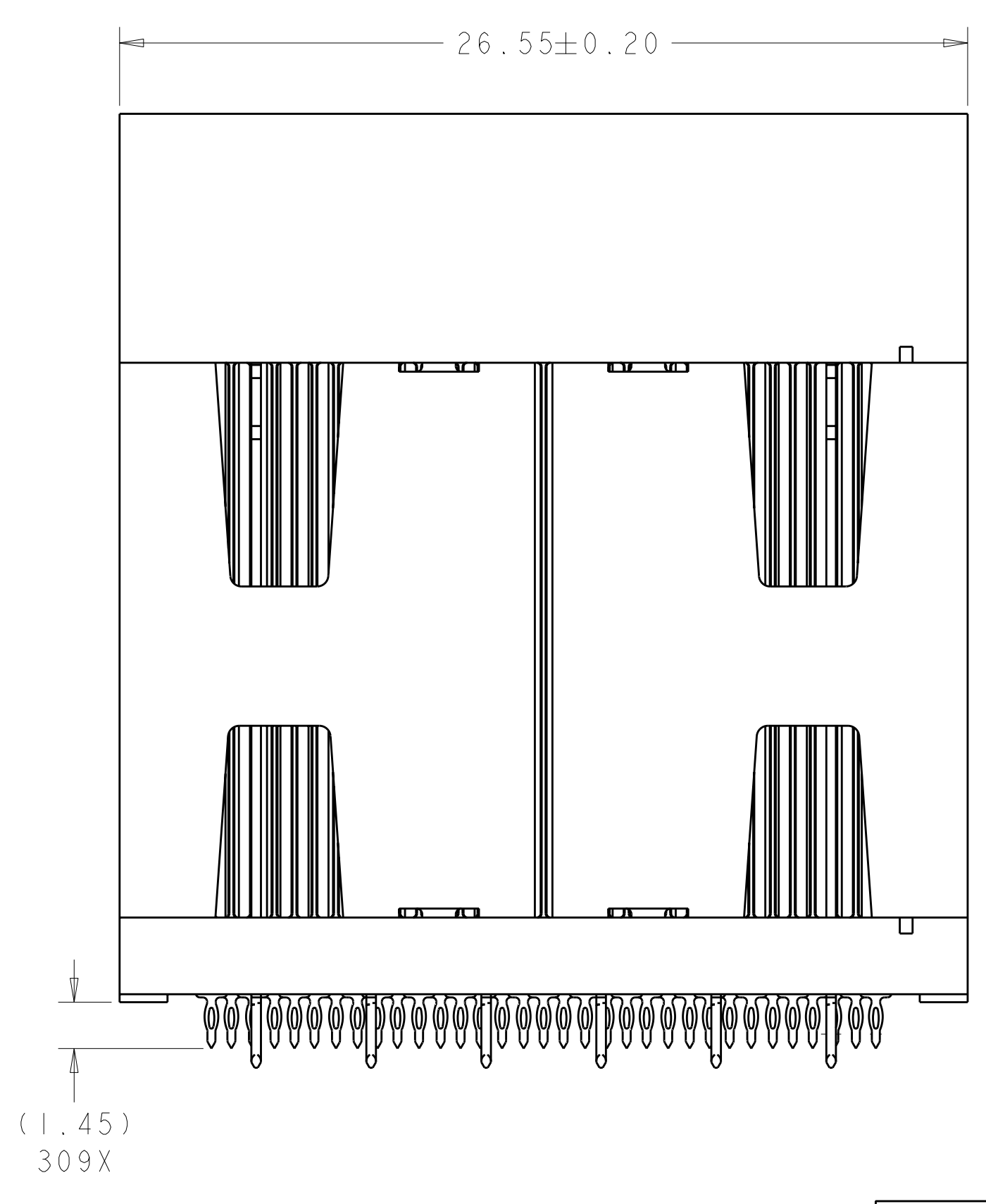
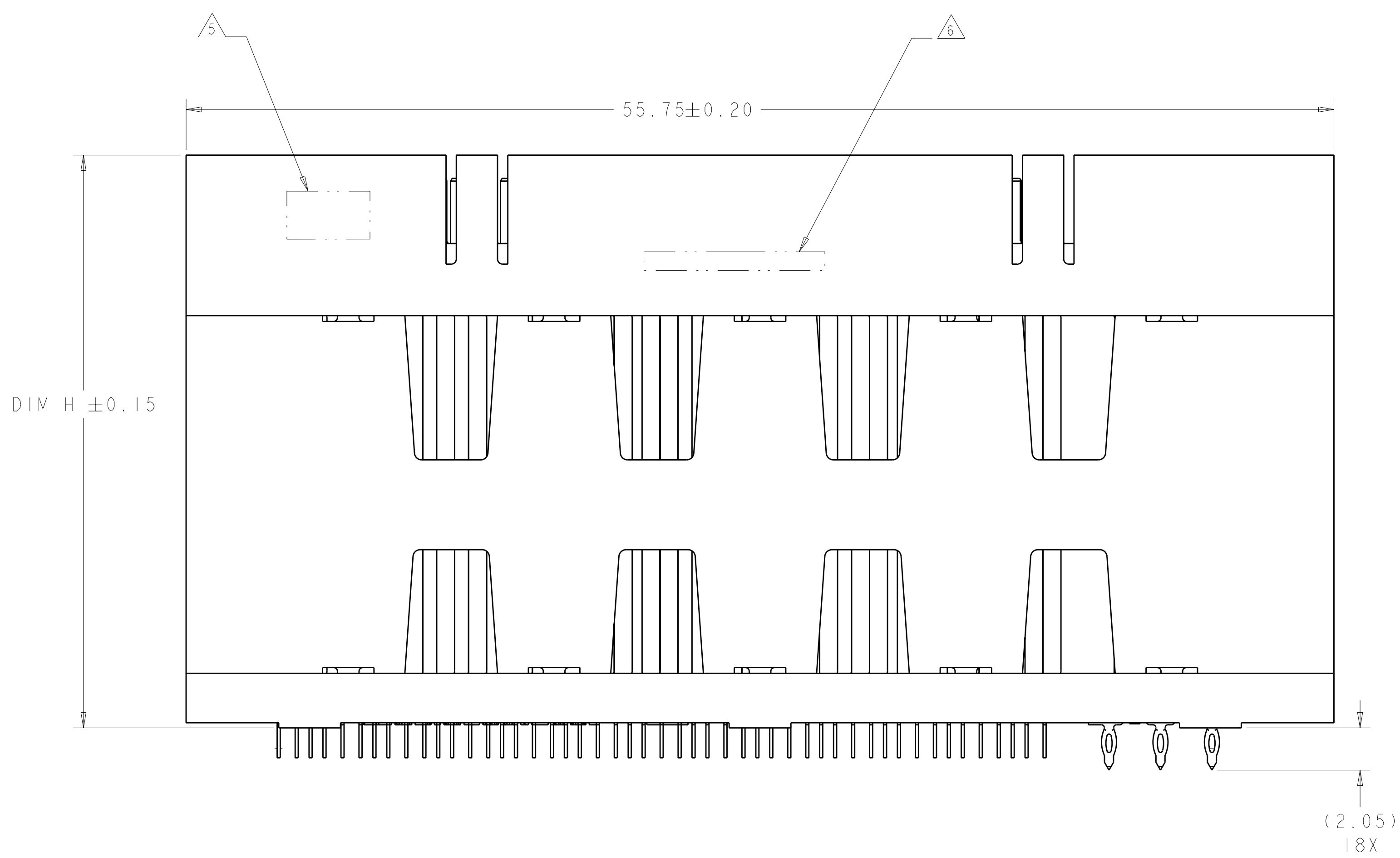


| LOC | DIST | REV | DATE | BY | CHK | APPV |
|-----|------|-----|-----------|-----|-----|------|
| GP | 00 | | | | | |
| | | 4 | 08DEC2010 | WS | MH | |
| | | 5 | 10MAY2012 | REH | DT | |



1. MATERIAL:
 BASE HOUSING, UPPER HOUSING, ORGANIZER,
 AND SPACER: THERMOPLASTIC, FLAMMABILITY
 RATING UL94-V0
 CONTACT: COPPER ALLOY
2. CONFORMS TO THE REQUIREMENTS OF TE PRODUCT
 SPECIFICATION, 108-2375; BASED ON TELCORDIA
 GR-1217-CORE FOR SYSTEM QUALITY LEVEL III,
 APPLICATIONS IN CONTROLLED ENVIRONMENTS
 (CENTRAL OFFICE).
 SEE TE PRODUCT SPECIFICATION 108-2375 FOR
 TEST SEQUENCES.
3. ROWS GA THRU GJ (SHOWN DARKENED) ARE TYPICALLY
 USED AS GROUNDS.
4. SPECIFIED POSITIONAL TOLERANCE DEFINES HOLE TO
 HOLE LOCATION WITHIN HOLE PATTERN. POSITIONAL
 TOLERANCE OF HOLE PATTERN TO FIDUCIAL MARKS
 OR PCB DATUMS SHALL BE DEFINED BY CUSTOMER.
5. AREA RESERVED FOR TE CONNECTIVITY LOGO.
6. AREA RESERVED FOR PART NUMBER (X-XXXXXX-X)
 AND DATE CODE (YYWW).
7. USE CENTERLINES INDICATED ON PCB HOLE PATTERN
 TO ESTABLISH ALIGNMENT BETWEEN HEADER AND
 RECEPTACLE BOARDS.
8. PLATED THROUGH HOLE REQUIREMENTS - SIGNAL:
 HOLE SIZE PRIOR TO PLATING = $\varnothing 0.420 \pm 0.013$
 COPPER PLATING THICKNESS = 0.038 ± 0.013
 CALCULATED FINISHED HOLE SIZE = $\varnothing 0.344 \pm 0.039$
 THESE DIMENSIONS APPLY TO THE TOP 1.25mm OF
 THE PCB THICKNESS FROM THE CONNECTOR MOUNTING
 SIDE.
9. PLATED THROUGH HOLE REQUIREMENTS - POWER:
 HOLE SIZE PRIOR TO PLATING = $\varnothing 0.700 \pm 0.025$
 COPPER PLATING THICKNESS = 0.038 ± 0.013
 CALCULATED FINISHED HOLE SIZE = $\varnothing 0.624 \pm 0.051$
 THESE DIMENSIONS APPLY TO THE TOP 1.50mm OF
 THE PCB THICKNESS FROM THE CONNECTOR MOUNTING
 SIDE.
10. CONTACT SALES FOR AVAILABILITY OF THIS STACK
 HEIGHT.



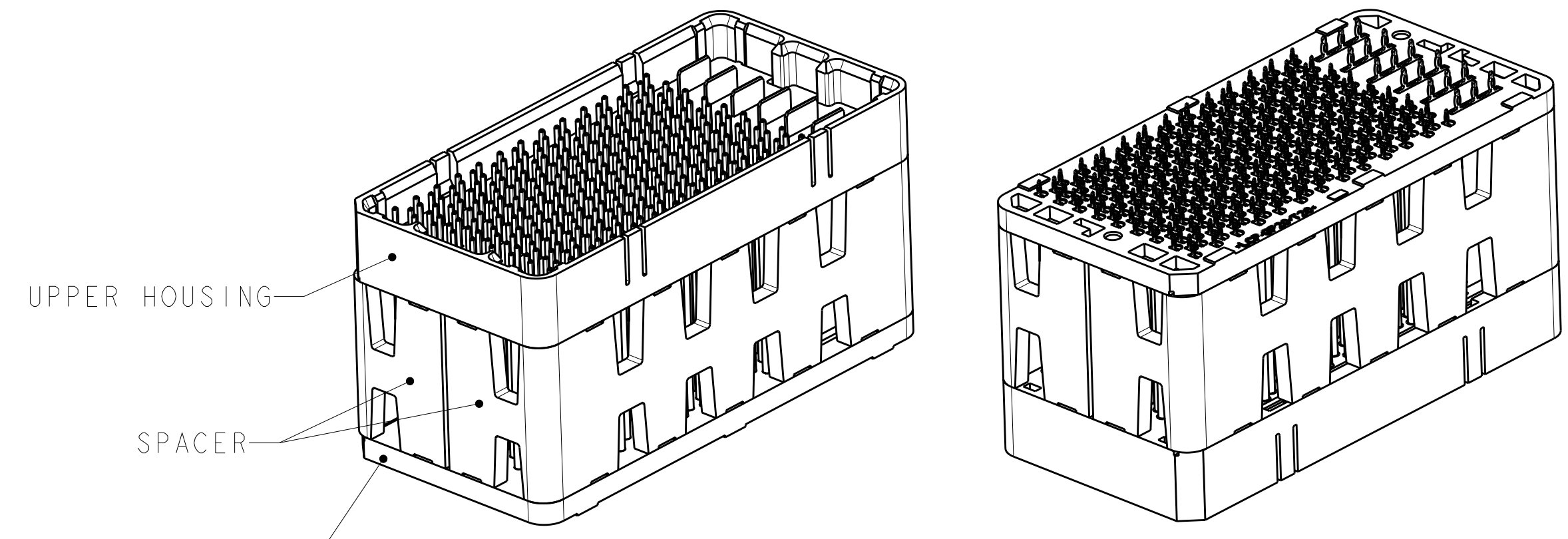
SIZE 3 HOUSING *
96 DIFFERENTIAL PAIRS
309 TOTAL SIGNAL CONTACTS
6 POWER CONTACTS

* SIZE 1 AND SIZE 2 ARE ALSO AVAILABLE

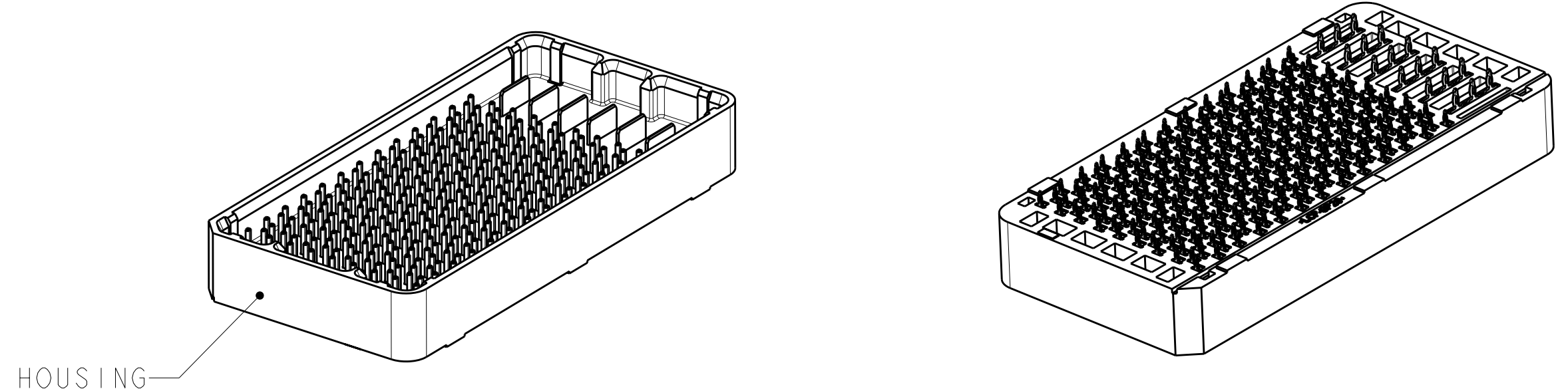
THIS PRODUCT HAS NOT
 COMPLETED VALIDATION AND
 QUALIFICATION TESTING

| | | | |
|--|--------------|-----------------------------|---------------------------------|
| THIS DRAWING IS A CONTROLLED DOCUMENT. | | OWN: D. RINGLER 08JUN2009 | TE Connectivity |
| DIMENSIONS: mm | | CHK: D. TROUT 08JUN2009 | |
| TOLERANCES UNLESS OTHERWISE SPECIFIED: | | APPV: J. FEDDER 08JUN2009 | NAME: HEADER ASSEMBLY |
| 0 PLC ± | 1 PLC ± | PRODUCT SPEC: 108-2375 | 96/309/6P |
| 2 PLC ±0.13 | 3 PLC ±0.013 | APPLICATION SPEC: 114-13249 | STRADA MESA MEZZANINE CONNECTOR |
| 4 PLC ± | ANGLES ±1 | SIZE: A100779 | RESTRICTED TO |
| MATERIAL: △ | FINISH: - | WEIGHT: - | CAGE CODE: C=2110480 |
| CUSTOMER DRAWING | | SCALE: 6:1 | SHEET 1 OF 4 REV 5 |

| LOC | DIST | REV | DATE | BY | APPD |
|-----------|------|-------------|------|----|------|
| GP | 00 | | | | |
| REVISIONS | | | | | |
| | | | | | |
| | | SEE SHEET 1 | | | |



ISOMETRIC VIEW
TYPICAL CONFIGURATION FOR 14mm THRU 42mm
28mm SHOWN
SCALE 2:1



ISOMETRIC VIEWS
TYPICAL CONFIGURATION FOR 8mm THRU 13mm
8mm SHOWN
SCALE 2:1

| TOOLED | DIM H | STACK HEIGHT | CONTACT TAIL PLATING | PART NUMBER |
|--------|-------|--------------|----------------------|-------------|
| △10 | 41.8 | 42mm | MATTE Sn | 9-2110480-2 |
| △10 | 40.8 | 41mm | MATTE Sn | 9-2110480-1 |
| YES | 39.8 | 40mm | MATTE Sn | 9-2110480-0 |
| △10 | 38.8 | 39mm | MATTE Sn | 8-2110480-9 |
| △10 | 37.8 | 38mm | MATTE Sn | 8-2110480-8 |
| △10 | 36.8 | 37mm | MATTE Sn | 8-2110480-7 |
| △10 | 35.8 | 36mm | MATTE Sn | 8-2110480-6 |
| △10 | 34.8 | 35mm | MATTE Sn | 8-2110480-5 |
| △10 | 33.8 | 34mm | MATTE Sn | 8-2110480-4 |
| △10 | 32.8 | 33mm | MATTE Sn | 8-2110480-3 |
| △10 | 31.8 | 32mm | MATTE Sn | 8-2110480-2 |
| △10 | 30.8 | 31mm | MATTE Sn | 8-2110480-1 |
| △10 | 29.8 | 30mm | MATTE Sn | 8-2110480-0 |
| △10 | 28.8 | 29mm | MATTE Sn | 7-2110480-9 |
| YES | 27.8 | 28mm | MATTE Sn | 7-2110480-8 |
| △10 | 26.8 | 27mm | MATTE Sn | 7-2110480-7 |
| △10 | 25.8 | 26mm | MATTE Sn | 7-2110480-6 |
| △10 | 24.8 | 25mm | MATTE Sn | 7-2110480-5 |
| △10 | 23.8 | 24mm | MATTE Sn | 7-2110480-4 |
| YES | 22.8 | 23mm | MATTE Sn | 7-2110480-3 |
| △10 | 21.8 | 22mm | MATTE Sn | 7-2110480-2 |
| △10 | 20.8 | 21mm | MATTE Sn | 7-2110480-1 |
| △10 | 19.8 | 20mm | MATTE Sn | 7-2110480-0 |
| △10 | 18.8 | 19mm | MATTE Sn | 6-2110480-9 |
| △10 | 17.8 | 18mm | MATTE Sn | 6-2110480-8 |
| △10 | 16.8 | 17mm | MATTE Sn | 6-2110480-7 |
| △10 | 15.8 | 16mm | MATTE Sn | 6-2110480-6 |
| △10 | 14.8 | 15mm | MATTE Sn | 6-2110480-5 |
| △10 | 13.8 | 14mm | MATTE Sn | 6-2110480-4 |
| △10 | 12.8 | 13mm | MATTE Sn | 6-2110480-3 |
| △10 | 11.8 | 12mm | MATTE Sn | 6-2110480-2 |
| △10 | 10.8 | 11mm | MATTE Sn | 6-2110480-1 |
| YES | 9.8 | 10mm | MATTE Sn | 6-2110480-0 |
| △10 | 8.8 | 9mm | MATTE Sn | 5-2110480-9 |
| △10 | 7.8 | 8mm | MATTE Sn | 5-2110480-8 |

| TOOLED | DIM H | STACK HEIGHT | CONTACT TAIL PLATING | PART NUMBER |
|--------|-------|--------------|----------------------|-------------|
| △10 | 41.8 | 42mm | Sn/Pb | 4-2110480-2 |
| △10 | 40.8 | 41mm | Sn/Pb | 4-2110480-1 |
| YES | 39.8 | 40mm | Sn/Pb | 4-2110480-0 |
| △10 | 38.8 | 39mm | Sn/Pb | 3-2110480-9 |
| △10 | 37.8 | 38mm | Sn/Pb | 3-2110480-8 |
| △10 | 36.8 | 37mm | Sn/Pb | 3-2110480-7 |
| △10 | 35.8 | 36mm | Sn/Pb | 3-2110480-6 |
| △10 | 34.8 | 35mm | Sn/Pb | 3-2110480-5 |
| △10 | 33.8 | 34mm | Sn/Pb | 3-2110480-4 |
| △10 | 32.8 | 33mm | Sn/Pb | 3-2110480-3 |
| △10 | 31.8 | 32mm | Sn/Pb | 3-2110480-2 |
| △10 | 30.8 | 31mm | Sn/Pb | 3-2110480-1 |
| △10 | 29.8 | 30mm | Sn/Pb | 3-2110480-0 |
| △10 | 28.8 | 29mm | Sn/Pb | 2-2110480-9 |
| YES | 27.8 | 28mm | Sn/Pb | 2-2110480-8 |
| △10 | 26.8 | 27mm | Sn/Pb | 2-2110480-7 |
| △10 | 25.8 | 26mm | Sn/Pb | 2-2110480-6 |
| △10 | 24.8 | 25mm | Sn/Pb | 2-2110480-5 |
| △10 | 23.8 | 24mm | Sn/Pb | 2-2110480-4 |
| YES | 22.8 | 23mm | Sn/Pb | 2-2110480-3 |
| △10 | 21.8 | 22mm | Sn/Pb | 2-2110480-2 |
| △10 | 20.8 | 21mm | Sn/Pb | 2-2110480-1 |
| △10 | 19.8 | 20mm | Sn/Pb | 2-2110480-0 |
| △10 | 18.8 | 19mm | Sn/Pb | 1-2110480-9 |
| △10 | 17.8 | 18mm | Sn/Pb | 1-2110480-8 |
| △10 | 16.8 | 17mm | Sn/Pb | 1-2110480-7 |
| △10 | 15.8 | 16mm | Sn/Pb | 1-2110480-6 |
| △10 | 14.8 | 15mm | Sn/Pb | 1-2110480-5 |
| △10 | 13.8 | 14mm | Sn/Pb | 1-2110480-4 |
| △10 | 12.8 | 13mm | Sn/Pb | 1-2110480-3 |
| △10 | 11.8 | 12mm | Sn/Pb | 1-2110480-2 |
| △10 | 10.8 | 11mm | Sn/Pb | 1-2110480-1 |
| YES | 9.8 | 10mm | Sn/Pb | 1-2110480-0 |
| △10 | 8.8 | 9mm | Sn/Pb | 2110480-9 |
| △10 | 7.8 | 8mm | Sn/Pb | 2110480-8 |

THIS DRAWING IS A CONTROLLED DOCUMENT.

APPROVED: D. RINGLER, D. TROUT, J. FEDDER

DATE: 08JUN2009

NAME: HEADER ASSEMBLY 96/309/6P STRADA MESA MEZZANINE CONNECTOR

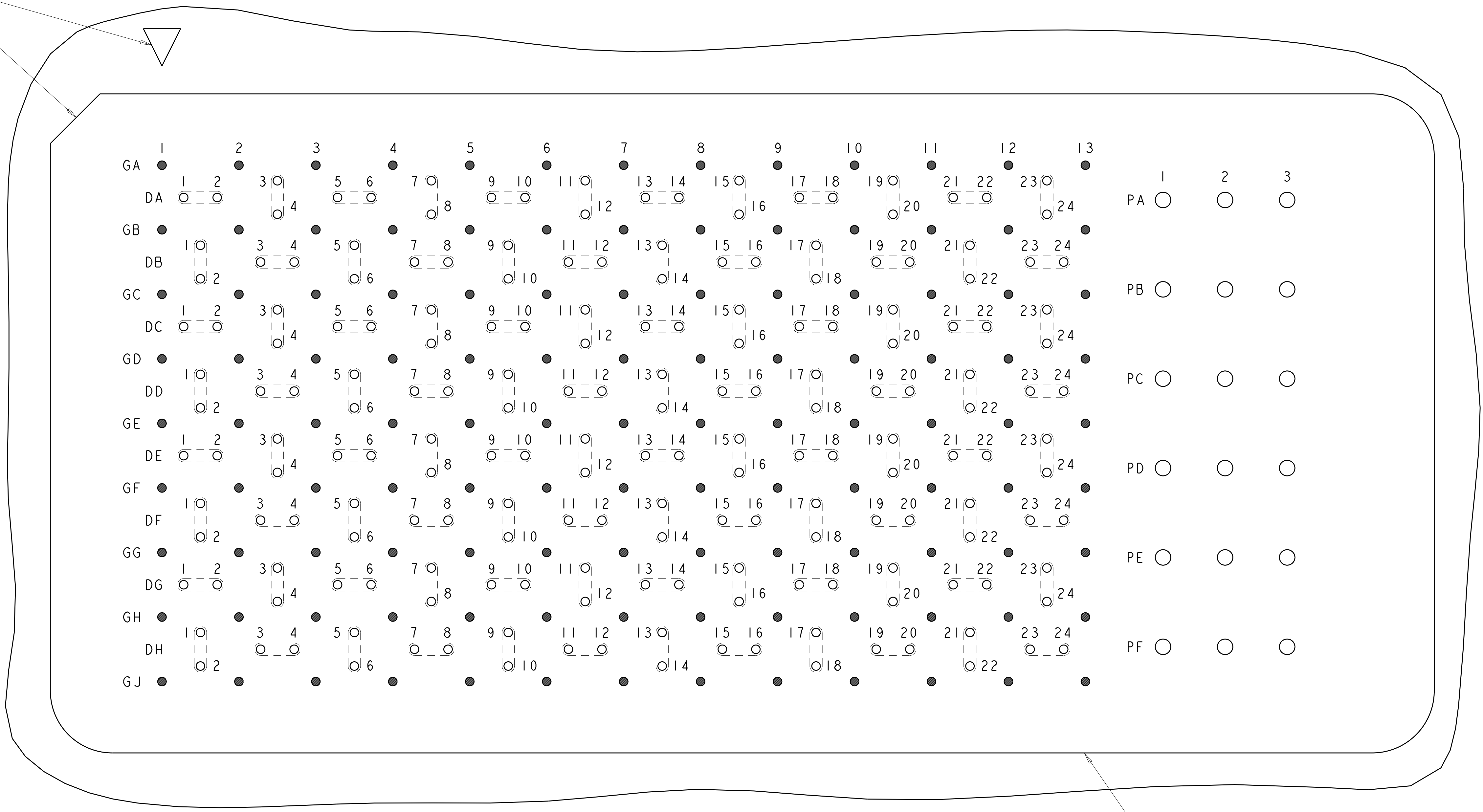
SIZE: A100779C=2110480

SCALE: 6:1 SHEET 2 OF 4 REV 5

STE TE Connectivity


| LOC | DIST | REVISIONS | | | |
|-----|------|-----------|-------------|----|------|
| GP | 00 | REV | DATE | BY | APPD |
| | | 1 | SEE SHEET 1 | | |

AI CORNER INDICATORS.



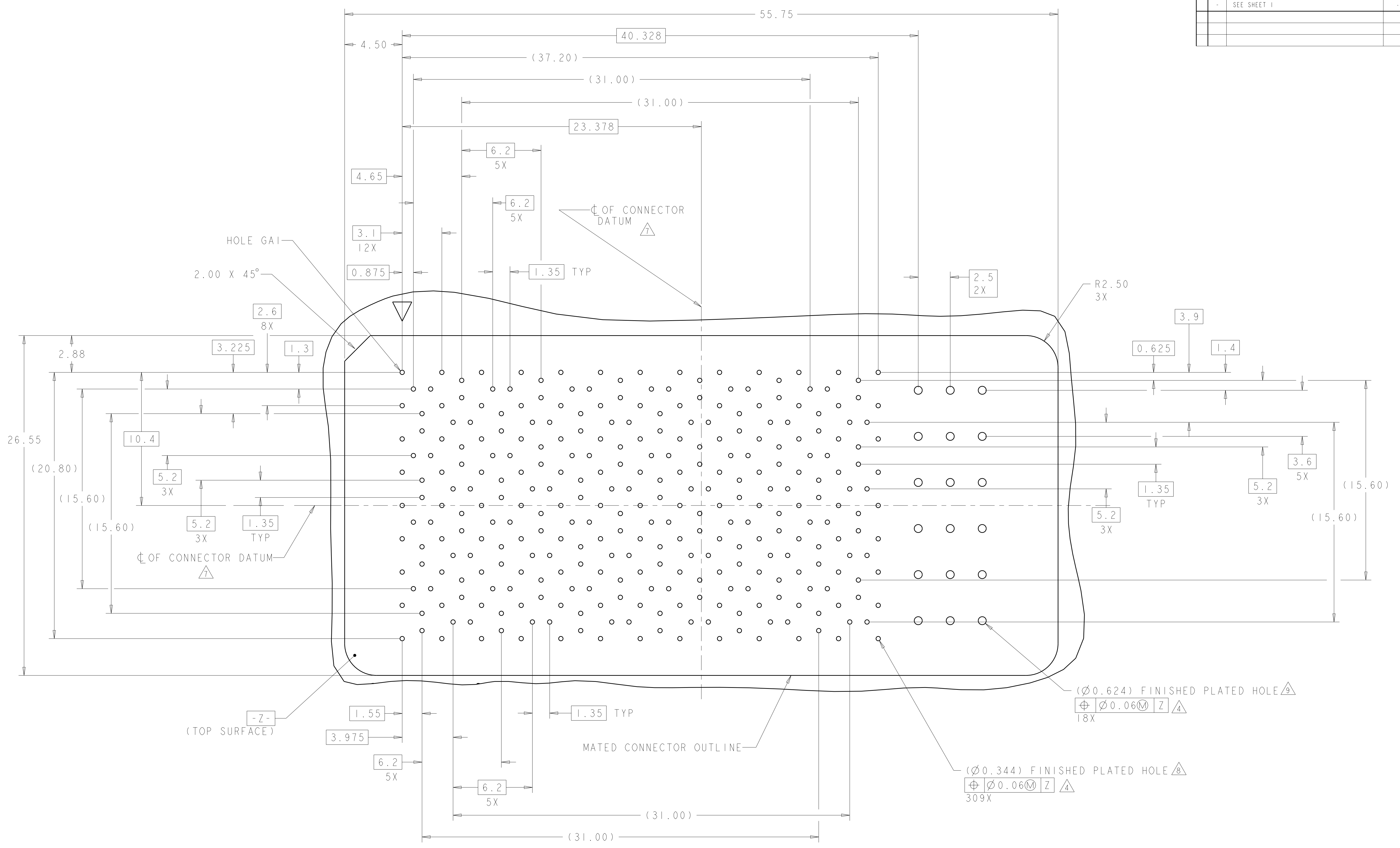
MATED CONNECTOR OUTLINE
 SEE SHEET 4 FOR LOCATION TO HOLES

PCB LAYOUT AND PIN IDENTIFICATION 
 SHOWN FROM CONNECTOR SIDE
 SCALE 10:1

| | | | | |
|--|--|--------------------------------|---|--|
| THIS DRAWING IS A CONTROLLED DOCUMENT. | | OWN D. RINGLER 08JUN2009 |  TE Connectivity | |
| DIMENSIONS: mm | | CHK D. TROUT 08JUN2009 | | |
| TOLERANCES UNLESS OTHERWISE SPECIFIED: | | APVD J. FEDDER 08JUN2009 | NAME HEADER ASSEMBLY 96/309/6P | |
| 9 PLC ± 3 PLC ±0.13 5 PLC ±0.013 4 PLC ± ANGLES ±1 | | PRODUCT SPEC 108-2375 | RESTRICTED TO | |
| MATERIAL | | APPLICATION SPEC 114-13249 | SIZE CAGE CODE DRAWING NO A100779C=2110480 | |
| FINISH | | WEIGHT | CUSTOMER DRAWING | |
| | | SCALE 6:1 | SHEET 3 OF 4 REV 5 | |

| LOC | DIST | REV | DATE | BY | APPD |
|-----|------|-----|------|----|------|
| GP | 00 | | | | |

| REVISIONS | | DATE | BY | APPD |
|-----------|-------------|------|----|------|
| 1 | SEE SHEET 1 | | | |



PCB HOLE PATTERN
 SHOWN FROM CONNECTOR SIDE
 SCALE 7:1

| | | | |
|---|--|--------------------------------|---|
| THIS DRAWING IS A CONTROLLED DOCUMENT. | | DWN D. RINGLER 08JUN2009 | TE Connectivity |
| DIMENSIONS: mm | | CHK D. TROUT 08JUN2009 | |
| TOLERANCES UNLESS OTHERWISE SPECIFIED: | | APVD J. FEDDER 08JUN2009 | NAME HEADER ASSEMBLY 96/309/6P |
| 0 PLC ± 1 PLC ±0.13 2 PLC ±0.13 3 PLC ±0.013 4 PLC ± ANGLES ±1 | | PRODUCT SPEC 108-2375 | RESTRICTED TO |
| MATERIAL | | APPLICATION SPEC 114-13249 | SIZE CAGE CODE DRAWING NO A100779C=2110480 |
| FINISH | | WEIGHT | SCALE 6:1 SHEET 4 OF 4 REV 5 |
| | | CUSTOMER DRAWING | |

Компания «Океан Электроники» предлагает заключение долгосрочных отношений при поставках импортных электронных компонентов на взаимовыгодных условиях!

Наши преимущества:

- Поставка оригинальных импортных электронных компонентов напрямую с производств Америки, Европы и Азии, а так же с крупнейших складов мира;
- Широкая линейка поставок активных и пассивных импортных электронных компонентов (более 30 млн. наименований);
- Поставка сложных, дефицитных, либо снятых с производства позиций;
- Оперативные сроки поставки под заказ (от 5 рабочих дней);
- Экспресс доставка в любую точку России;
- Помощь Конструкторского Отдела и консультации квалифицированных инженеров;
- Техническая поддержка проекта, помощь в подборе аналогов, поставка прототипов;
- Поставка электронных компонентов под контролем ВП;
- Система менеджмента качества сертифицирована по Международному стандарту ISO 9001;
- При необходимости вся продукция военного и аэрокосмического назначения проходит испытания и сертификацию в лаборатории (по согласованию с заказчиком);
- Поставка специализированных компонентов военного и аэрокосмического уровня качества (Xilinx, Altera, Analog Devices, Intersil, Interpoint, Microsemi, Actel, Aeroflex, Peregrine, VPT, Syfer, Eurofarad, Texas Instruments, MS Kennedy, Miteq, Cobham, E2V, MA-COM, Hittite, Mini-Circuits, General Dynamics и др.);

Компания «Океан Электроники» является официальным дистрибьютором и эксклюзивным представителем в России одного из крупнейших производителей разъемов военного и аэрокосмического назначения «JONHON», а так же официальным дистрибьютором и эксклюзивным представителем в России производителя высокотехнологичных и надежных решений для передачи СВЧ сигналов «FORSTAR».



JONHON

«JONHON» (основан в 1970 г.)

Разъемы специального, военного и аэрокосмического назначения:

(Применяются в военной, авиационной, аэрокосмической, морской, железнодорожной, горно- и нефтедобывающей отраслях промышленности)

«FORSTAR» (основан в 1998 г.)

ВЧ соединители, коаксиальные кабели, кабельные сборки и микроволновые компоненты:

(Применяются в телекоммуникациях гражданского и специального назначения, в средствах связи, РЛС, а так же военной, авиационной и аэрокосмической отраслях промышленности).



Телефон: 8 (812) 309-75-97 (многоканальный)

Факс: 8 (812) 320-03-32

Электронная почта: ocean@oceanchips.ru

Web: <http://oceanchips.ru/>

Адрес: 198099, г. Санкт-Петербург, ул. Калинина, д. 2, корп. 4, лит. А