

## Features

- 5mm Through hole, 8.65mm lens height
- High Brightness
- Water Clear lens
- InGaN / AlInGaP Technology
- Special packaging available upon request
- High reliability

## Applications

- Consumer Electronics
- Variable Message Signs (VMS)
- Automobile After Market
- Industrial Equipment
- Advertising Signs

## Description

The INL-5AX30 is high brightness 30 degrees through-hole lamp. It is a 5mm epoxy type LED which can be used in various applications.

### Package Dimensions in mm

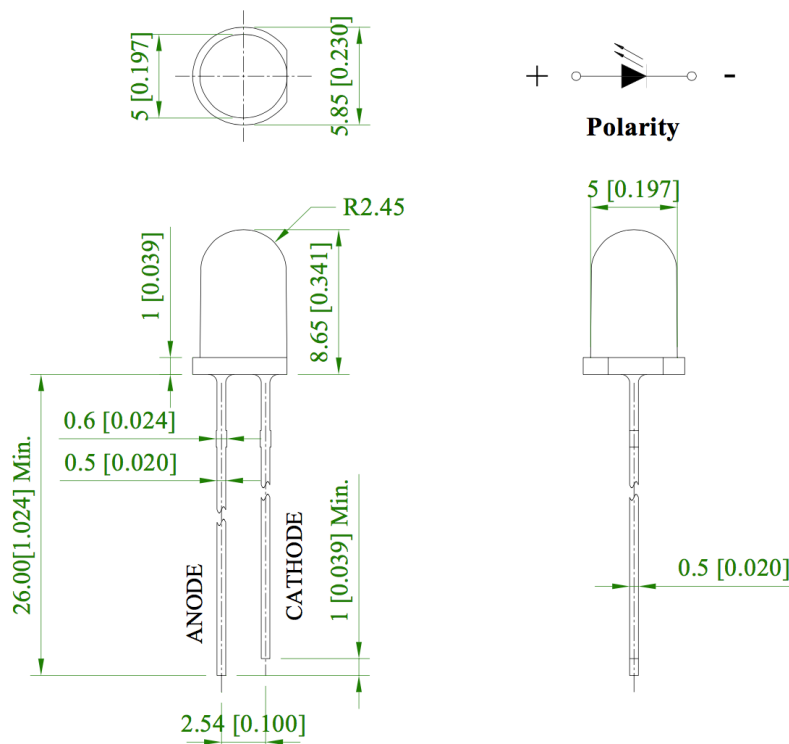


Figure 1. INL-5AX30 Package Dimensions

**Absolute Maximum Rating at 25°C** (Note 1)

| Product    | Emission Color | $P_d$ (mW) | $I_F$ (mA) | $I_{FP}^*$ (mA) | $V_R$ (V) | $T_{OP}$ (°C) | $T_{ST}$ (°C) |
|------------|----------------|------------|------------|-----------------|-----------|---------------|---------------|
| INL-5AYG30 | Yellow Green   | 65         | 25         | 100             | 5         | -40°C~+85°C   | -40°C~+100°C  |
| INL5AY30   | Yellow         |            |            |                 |           |               |               |
| INL5AA30   | Amber          |            |            |                 |           |               |               |
| INL5AR30   | Red            |            |            |                 |           |               |               |
| INL5AB30   | Blue           | 95         | 25         | 100             |           |               |               |
| INL5AG30   | Green          |            |            |                 |           |               |               |
| INL5AW30   | White          |            |            |                 |           |               |               |

**Notes**

1. Condition for I<sub>FP</sub> is pulse of 1/10 duty and 0.1msec width

**Electrical Characteristics**  $T_A = 25^\circ\text{C}$  (Note 1)

| Product    | Emission Color | $I_F(\text{mA})$ | $V_F(\text{V})$ |     | $\lambda(\text{nm})$ |             |                 | Viewing Angle   | $I_v(\text{mcd})$ |       |
|------------|----------------|------------------|-----------------|-----|----------------------|-------------|-----------------|-----------------|-------------------|-------|
|            |                |                  | min             | max | $\lambda_D$          | $\lambda_P$ | $\Delta\lambda$ | $2\theta_{1/2}$ | min               | typ.  |
| INL-5AYG30 | Yellow Green   | 20               | 1.6             | 2.6 | 573                  | 575         | 20              | 30              | 270               | 460   |
| INL5AY30   | Yellow         | 20               | 1.6             | 2.6 | 590                  | 592         | 15              | 30              | 600               | 1000  |
| INL5AA30   | Amber          | 20               | 1.6             | 2.6 | 605                  | 610         | 35              | 30              | 460               | 780   |
| INL5AR30   | Red            | 20               | 1.6             | 2.6 | 624                  | 632         | 20              | 30              | 780               | 1300  |
| INL5AB30   | Blue           | 20               | 2.6             | 3.8 | 470                  | 468         | 25              | 30              | 2900              | 5000  |
| INL5AG30   | Green          | 20               | 2.6             | 3.6 | 525                  | 520         | 35              | 30              | 14000             | 23000 |
| INL5AW30   | White          | 20               | 2.8             | 3.8 | X = 0.28<br>Y = 0.28 |             |                 | 30              | 6500              | 8500  |

**Notes**

1. Performance guaranteed only under conditions listed in above tables.

**ESD Precaution**

ATTENTION: Electrostatic Discharge (ESD) protection

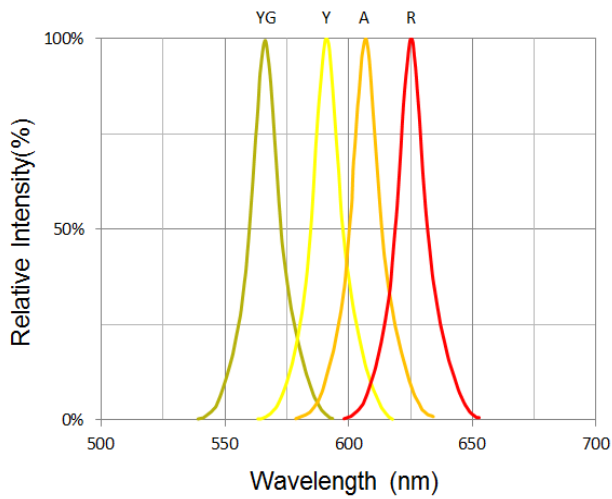


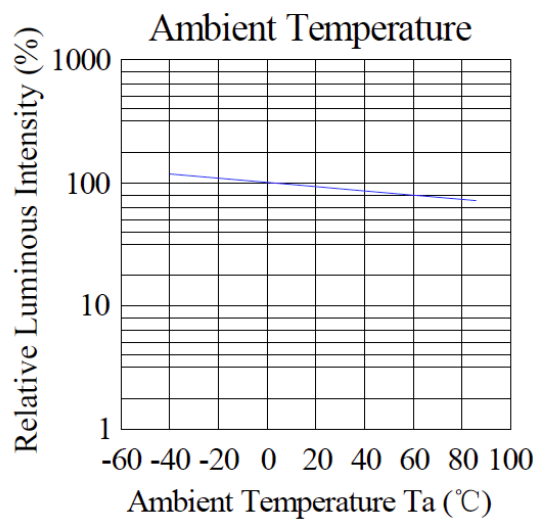
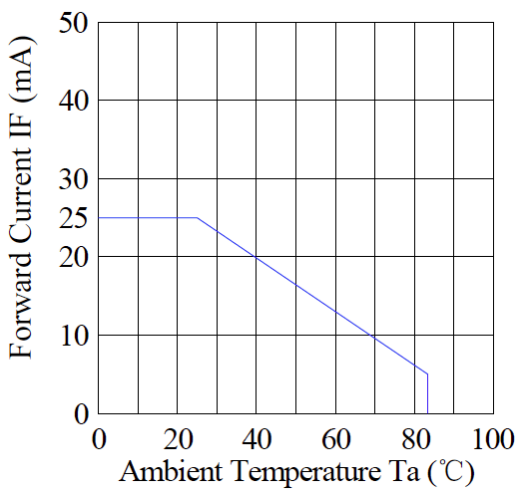
The symbol above denotes that ESD precaution is needed. ESD protection for GaP and AlGaAs based chips is necessary even though they are relatively safe in the presence of low static-electric discharge. Parts built with AlInGaP, GaN, or/and InGaN based chips are STATIC SENSITIVE devices. ESD precaution must be taken during design and assembly. If manual work or processing is needed, please ensure the device is adequately protected from ESD during the process.

Please be advised that normal static precautions should be taken in the handling and assembly of this device to prevent damage or degradation which may be induced by electrostatic discharge (ESD).

**Chromaticity Bin ( For White Only)**


| Bin Code | Left x | Left y | Top x | Top y | Right x | Right y | Bottom x | Bottom y |
|----------|--------|--------|-------|-------|---------|---------|----------|----------|
| C1-1     | 0.256  | 0.28   | 0.264 | 0.289 | 0.268   | 0.283   | 0.26     | 0.274    |
| C2-1     | 0.26   | 0.274  | 0.268 | 0.283 | 0.272   | 0.277   | 0.264    | 0.269    |
| C3-1     | 0.264  | 0.269  | 0.272 | 0.277 | 0.276   | 0.271   | 0.269    | 0.263    |
| C4-1     | 0.269  | 0.263  | 0.276 | 0.271 | 0.28    | 0.265   | 0.273    | 0.257    |
| C1-2     | 0.264  | 0.289  | 0.273 | 0.299 | 0.276   | 0.293   | 0.268    | 0.283    |
| C2-2     | 0.268  | 0.283  | 0.276 | 0.293 | 0.279   | 0.286   | 0.272    | 0.277    |
| C3-2     | 0.272  | 0.277  | 0.279 | 0.286 | 0.283   | 0.279   | 0.276    | 0.271    |
| C4-2     | 0.276  | 0.271  | 0.283 | 0.279 | 0.286   | 0.273   | 0.28     | 0.265    |
| C1-3     | 0.273  | 0.299  | 0.281 | 0.309 | 0.284   | 0.302   | 0.276    | 0.293    |
| C2-3     | 0.276  | 0.293  | 0.284 | 0.302 | 0.287   | 0.295   | 0.279    | 0.286    |
| C3-3     | 0.279  | 0.286  | 0.287 | 0.295 | 0.29    | 0.287   | 0.283    | 0.279    |
| C4-3     | 0.283  | 0.279  | 0.29  | 0.287 | 0.292   | 0.28    | 0.286    | 0.273    |
| D1-1     | 0.281  | 0.309  | 0.288 | 0.317 | 0.291   | 0.309   | 0.284    | 0.302    |
| D2-1     | 0.284  | 0.302  | 0.291 | 0.309 | 0.293   | 0.302   | 0.287    | 0.295    |
| D3-1     | 0.287  | 0.295  | 0.293 | 0.302 | 0.296   | 0.294   | 0.29     | 0.287    |
| D4-1     | 0.29   | 0.287  | 0.296 | 0.294 | 0.298   | 0.286   | 0.292    | 0.28     |
| D1-2     | 0.288  | 0.317  | 0.296 | 0.325 | 0.298   | 0.317   | 0.291    | 0.309    |
| D2-2     | 0.291  | 0.309  | 0.298 | 0.317 | 0.3     | 0.308   | 0.293    | 0.302    |
| D3-2     | 0.293  | 0.302  | 0.3   | 0.308 | 0.302   | 0.3     | 0.296    | 0.294    |
| D4-2     | 0.296  | 0.294  | 0.302 | 0.3   | 0.304   | 0.292   | 0.298    | 0.286    |
| D1-3     | 0.296  | 0.325  | 0.303 | 0.333 | 0.305   | 0.324   | 0.298    | 0.317    |
| D2-3     | 0.298  | 0.317  | 0.305 | 0.324 | 0.307   | 0.315   | 0.3      | 0.308    |
| D3-3     | 0.3    | 0.308  | 0.307 | 0.315 | 0.308   | 0.307   | 0.302    | 0.3      |
| D4-3     | 0.302  | 0.3    | 0.308 | 0.307 | 0.31    | 0.298   | 0.304    | 0.292    |
| E1-1     | 0.303  | 0.333  | 0.313 | 0.342 | 0.314   | 0.333   | 0.305    | 0.324    |
| E2-1     | 0.305  | 0.324  | 0.314 | 0.333 | 0.315   | 0.324   | 0.307    | 0.315    |
| E3-1     | 0.307  | 0.315  | 0.315 | 0.324 | 0.316   | 0.314   | 0.308    | 0.307    |
| E4-1     | 0.308  | 0.307  | 0.316 | 0.314 | 0.317   | 0.305   | 0.31     | 0.298    |
| E1-2     | 0.313  | 0.342  | 0.323 | 0.351 | 0.323   | 0.341   | 0.314    | 0.333    |
| E2-2     | 0.314  | 0.333  | 0.323 | 0.341 | 0.324   | 0.332   | 0.315    | 0.324    |
| E3-2     | 0.315  | 0.324  | 0.324 | 0.332 | 0.324   | 0.322   | 0.316    | 0.314    |
| E4-2     | 0.316  | 0.314  | 0.324 | 0.322 | 0.324   | 0.313   | 0.317    | 0.305    |
| E1-3     | 0.323  | 0.351  | 0.333 | 0.36  | 0.333   | 0.35    | 0.323    | 0.341    |
| E2-3     | 0.324  | 0.332  | 0.333 | 0.35  | 0.332   | 0.34    | 0.324    | 0.331    |
| E3-3     | 0.324  | 0.332  | 0.332 | 0.34  | 0.332   | 0.33    | 0.324    | 0.322    |
| E4-3     | 0.324  | 0.322  | 0.332 | 0.33  | 0.332   | 0.32    | 0.324    | 0.313    |

**Typical Characteristic Curves – YG, Y, A, R**


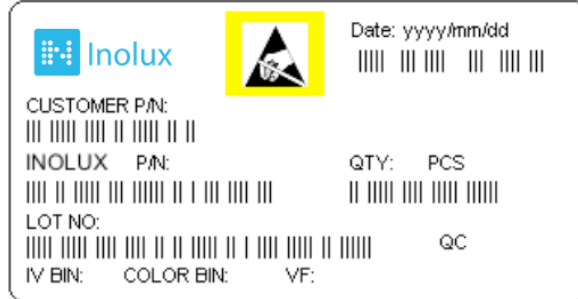
**Typical Characteristic Curves – B, G, W**


**Typical Characteristic Curves – Radiation Pattern**

**Ordering Information**

| Product    | Emission Color | Technology | Test Current $I_F$ (mA) | Luminous Intensity $I_V$ (mcd) (Typ.) | Forward Voltage $V_F$ (V) (Typ.) | Orderable Part Number |
|------------|----------------|------------|-------------------------|---------------------------------------|----------------------------------|-----------------------|
| INL-5AYG30 | Yellow Green   | AlInGaP    | 20                      | 460                                   | 2.0                              | INL-5AYG30            |
| INL5AY30   | Yellow         | AlInGaP    | 20                      | 1000                                  | 2.0                              | INL5AY30              |
| INL5AA30   | Amber          | AlInGaP    | 20                      | 780                                   | 2.0                              | INL5AA30              |
| INL5AR30   | Red            | AlInGaP    | 20                      | 1300                                  | 2.0                              | INL5AR30              |
| INL5AB30   | Blue           | InGaN      | 20                      | 5000                                  | 3.2                              | INL5AB30              |
| INL5AG30   | Green          | InGaN      | 20                      | 23000                                 | 3.2                              | INL5AG30              |
| INL5AW30   | White          | InGaN      | 20                      | 8500                                  | 3.3                              | INL5AW30              |



**Label Specifications**

**Inolux P/N:**

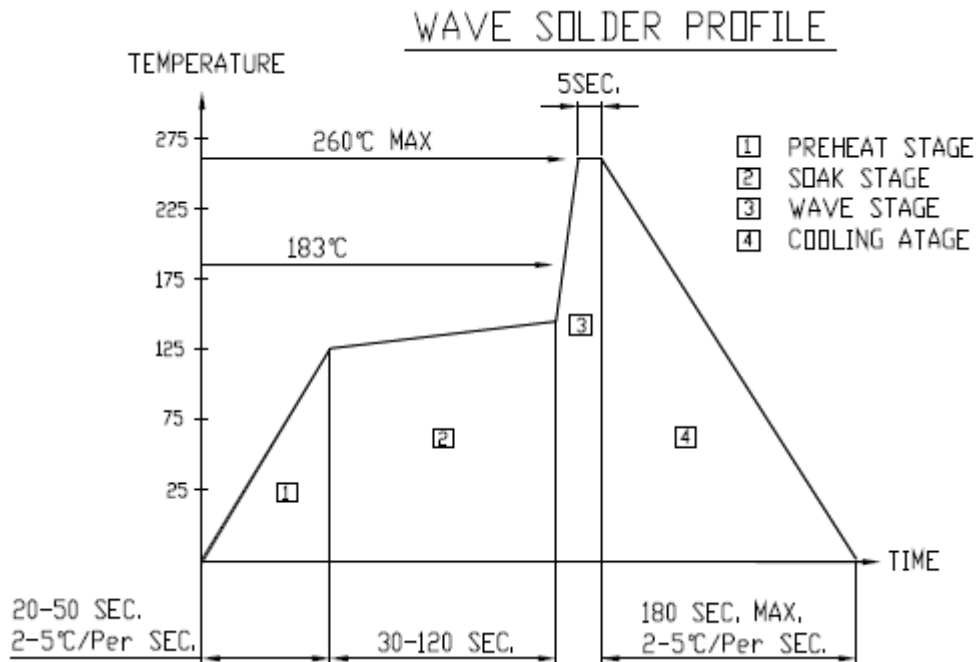
|                                |   |   |                               |  |              |                         |   |   |   |   |   |   |   |   |
|--------------------------------|---|---|-------------------------------|--|--------------|-------------------------|---|---|---|---|---|---|---|---|
| I                              | N | L                                       | -                             | 5  | A            |                         | Y | 3 | 0 | - | X | X | X | X |
| Inolux<br>Through Hole<br>Lamp |   | Material                                | Lens                          | Color  | View Angle   | Customized<br>Stamp-off |   |   |   |   |   |   |   |   |
|                                |   | 5A = 5mm<br>with flange,<br>8.65 height | (Blank)<br>=<br>Clear<br>Lens | R=636nm<br>A=609nm<br>Y=593nm<br>YG=574nm<br>G=530nm<br>B=468nm<br>W=White | 30 = 30 deg. |                         |   |   |   |   |   |   |   |   |

**Lot No.:**

|                     |                          |   |   |   |       |      |        |
|---------------------|--------------------------|---|---|---|-------|------|--------|
| Z                   | 2                        | 0 | 1 | 7 | 01    | 24   | 001    |
| Internal<br>Tracker | Year (2017, 2018, .....) |   |   |   | Month | Date | Serial |

## Soldering

Recommended soldering conditions:



## Soldering Iron

Basic Spec is Max 3 sec. @ 300°C. Lamps without stopper must leave a min. of 3mm clearance from base of the lens to the soldering point.

## Rework

Caution is advised when rework is performed. Rework should be completed within 4 second under 245°C using a double-headed soldering iron.

## Reliability

| Item                                 | Frequency/ lots/ samples/ failures                              | Standards Reference            | Conditions   |
|--------------------------------------|---|--------------------------------|--|
| Precondition                         | For all reliability monitoring tests according to JEDEC Level 2 | J-STD-020                      | 1.) Baking at 85°C for 24hrs<br>2.) Moisture storage at 85°C/ 60% R.H. for 168hrs  |
| Solderability                        | 1Q/ 1/ 22/ 0  | JESD22-B102-B<br>And CNS-5068  | Accelerated aging 155°C/ 24hrs<br>Tinning speed: 2.5+0.5cm/s<br>Tinning: A: 215°C/ 3+1s or B: 260°C/ 10+1s                   |
| Resistance to soldering heat         |   | CNS-5067                       | Dipping soldering terminal only<br>Soldering bath temperature<br>A: 260+/-5°C; 10+/-1s<br>B: 350+/-10°C; 3+/-0.5s            |
| Operating life test                  | 1Q/ 1/ 40/ 0  | CNS-11829                      | 1.) Precondition: 85°C baking for 24hrs<br>85°C/ 60%R.H. for 168hrs<br>2.) Tamb25°C; IF=20mA; duration 1000hrs               |
| High humidity, high temperature bias | 1Q/ 1/ 45/ 0  | JESD-A101-B                    | Tamb: 85°C<br>Humidity: 85% R.H., IF=5mA<br>Duration: 1000hrs  |
| High temperature bias                | 1Q/ 1/ 20   | IN specs.                      | Tamb: 55°C<br>IF=20mA<br>Duration: 1000hrs   |
| Pulse life test                      | 1Q/ 1/ 40/ 0  |                                | Tamb25°C, If=20mA,, Ip=100mA, Duty cycle=0.125 (tp=125 μs, T=1sec)<br>Duration 500hrs)                                       |
| Temperature cycle                    | 1Q/ 1/ 76/ 0  | JESD-A104-A<br>IEC 68-2-14, Nb | A cycle: -40 degree C 15min; +85 degree C 15min<br>Thermal steady within 5 min..<br>300 cycles<br>2 chamber/ Air-to-air type |
| High humidity storage test           | 1Q/ 1/ 40/ 0  | CNS-6117                       | 60+3°C<br>90+5/-10% R.H. for 500hrs  |
| High temperature storage test        | 1Q/ 1/ 40/ 0  | CNS-554                        | 100+10°C for 500hrs  |
| Low temperature storage test         | 1Q/ 1/ 40/ 0  | CNS-6118                       | -40+5°C for 500hrs   |

## Revision History

| Changes since last revision | Page | Version No. | Revision Date |
|-----------------------------|------|-------------|---------------|
| Initial Release             |      | 1.0         | 07-10-2017    |
|                             |      |             |               |
|                             |      |             |               |
|                             |      |             |               |
|                             |      |             |               |
|                             |      |             |               |
|                             |      |             |               |
|                             |      |             |               |
|                             |      |             |               |

## DISCLAIMER

INOLUX reserves the right to make changes without further notice to any products herein to improve reliability, function or design. INOLUX does not assume any liability arising out of the application or use of any product or circuit described herein; neither does it convey any license under its patent rights, nor the rights of others.

## LIFE SUPPORT POLICY

INOLUX's products are not authorized for use as critical components in life support devices or systems without the express written approval of the President of INOLUX or INOLUX CORPORATION. As used herein:

1. Life support devices or systems are devices or systems which, (a) are intended for surgical implant into the body, or (b) support or sustain life, and (c) whose failure to perform when properly used in accordance with instructions for use provided in the labeling, can be reasonably expected to result in a significant injury of the user.
2. A critical component in any component of a life support device or system whose failure to perform can be reasonably expected to cause the failure of the life support device or system, or to affect its safety or effectiveness.

Компания «Океан Электроники» предлагает заключение долгосрочных отношений при поставках импортных электронных компонентов на взаимовыгодных условиях!

Наши преимущества:

- Поставка оригинальных импортных электронных компонентов напрямую с производств Америки, Европы и Азии, а так же с крупнейших складов мира;
- Широкая линейка поставок активных и пассивных импортных электронных компонентов (более 30 млн. наименований);
- Поставка сложных, дефицитных, либо снятых с производства позиций;
- Оперативные сроки поставки под заказ (от 5 рабочих дней);
- Экспресс доставка в любую точку России;
- Помощь Конструкторского Отдела и консультации квалифицированных инженеров;
- Техническая поддержка проекта, помощь в подборе аналогов, поставка прототипов;
- Поставка электронных компонентов под контролем ВП;
- Система менеджмента качества сертифицирована по Международному стандарту ISO 9001;
- При необходимости вся продукция военного и аэрокосмического назначения проходит испытания и сертификацию в лаборатории (по согласованию с заказчиком);
- Поставка специализированных компонентов военного и аэрокосмического уровня качества (Xilinx, Altera, Analog Devices, Intersil, Interpoint, Microsemi, Actel, Aeroflex, Peregrine, VPT, Syfer, Eurofarad, Texas Instruments, MS Kennedy, Miteq, Cobham, E2V, MA-COM, Hittite, Mini-Circuits, General Dynamics и др.);

Компания «Океан Электроники» является официальным дистрибьютором и эксклюзивным представителем в России одного из крупнейших производителей разъемов военного и аэрокосмического назначения «**JONHON**», а так же официальным дистрибьютором и эксклюзивным представителем в России производителя высокотехнологичных и надежных решений для передачи СВЧ сигналов «**FORSTAR**».



## JONHON

«**JONHON**» (основан в 1970 г.)

Разъемы специального, военного и аэрокосмического назначения:

(Применяются в военной, авиационной, аэрокосмической, морской, железнодорожной, горно- и нефтедобывающей отраслях промышленности)

«**FORSTAR**» (основан в 1998 г.)

ВЧ соединители, коаксиальные кабели,  
кабельные сборки и микроволновые компоненты:

(Применяются в телекоммуникациях гражданского и специального назначения, в средствах связи, РЛС, а так же военной, авиационной и аэрокосмической отраслях промышленности).



Телефон: 8 (812) 309-75-97 (многоканальный)

Факс: 8 (812) 320-03-32

Электронная почта: [ocean@oceanchips.ru](mailto:ocean@oceanchips.ru)

Web: <http://oceanchips.ru/>

Адрес: 198099, г. Санкт-Петербург, ул. Калинина, д. 2, корп. 4, лит. А