

1A LDO REGULATOR (Operating Voltage up to 24V)

NO.EA-184-160425

OUTLINE

The R1501x series are CMOS-based positive voltage regulator (VR) ICs. The R1501xxxxB has features of high input voltage operating, 1A output current drive, and low supply current.

A DMOS transistor is used for the driver, high voltage operating and low on resistance (0.6Ω at $V_{OUT}=10V$) device is realized. A standard regulator circuit with a current limit circuit and a thermal shutdown circuit are built in the R1501x series.

As the operating temperature range is from $-40^{\circ}C$ to $105^{\circ}C$ and maximum input voltage is up to 24V, the R1501x series are suitable for the constant voltage source for digital home appliances and car accessories.

The regulator output voltage is fixed in the R1501x. Output voltage accuracy is $\pm 2.0\%$ and output voltage range is from 3.0V to 12.0V with a step of 0.1V, and from 12.5V to 18.0V with a step of 0.5V. The chip enable pin realizes ultra low supply current standby mode.

Since the packages for these ICs are the HSOP-6J for high density mounting of the ICs on boards, and the TO-252-5-P2.

*) The DMOS (Double Diffused MOS) transistor adopted by R1501x is characterized by a double diffusion structure which comprises a low density n-type (channel) diffused layer and a high density p-type (sources) diffused layer from the edge of the gate electrode. The R1501x series possess outstanding properties of high operating voltage and low on-resistance, which have been achieved by the channel length scaled down to submicron dimensions and decreased thickness of the gate oxide film.

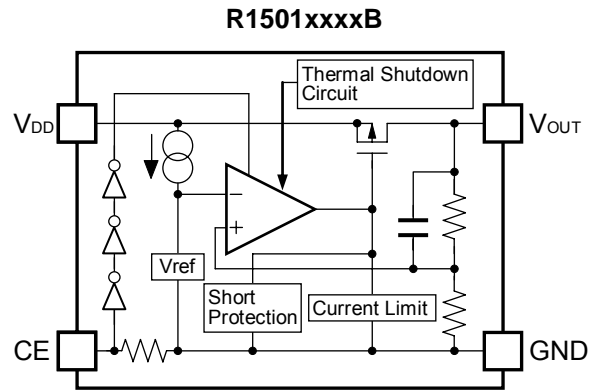
FEATURES

- Supply CurrentTyp. $70\mu A$
- Standby CurrentTyp. $0.1\mu A$
- Output Current.....Min. 1A
- Input Voltage Range3.0V to 24.0V
- Ripple RejectionTyp. 60dB ($V_{SET}=5.0V$)
- Output Voltage Range3.0V to 12.0V (0.1V steps)
12.5V to 18.0V (0.5V steps)
(For other voltages, please refer to MARK INFORMATION.)
- Output Voltage Accuracy $\pm 2\%$
- Temperature-Drift Coefficient of Output VoltageTyp. $\pm 100\text{ppm}/^{\circ}C$
- Line RegulationTyp. 0.05%/V
- Packages.....HSOP-6J, TO-252-5-P2
- Operating Temperature range $-40^{\circ}C$ to $105^{\circ}C$
- Built-in Current Limit Circuit
- Built-in Fold-Back Circuit
- Built-in Thermal Shutdown Circuit

APPLICATIONS

- Power source for home appliances such as refrigerators, rice cookers, electric water warmers, etc.
- Power source for car audio equipment, car navigation system, ETC system, etc.
- Power source for notebook PCs, digital TVs, cordless phones, and private LAN system, etc.
- Power source for office equipment machines such as copiers, printers, facsimiles, scanners, projectors, etc.

R1501xNO.EA-184-160425

BLOCK DIAGRAMS**SELECTION GUIDE**

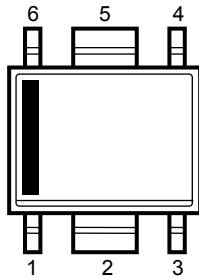
The output voltage, package, etc. for the ICs can be selected at the user's request.

Product Name	Package	Quantity per Reel	Pb Free	Halogen Free
R1501SxxxB-E2-FE	HSOP-6J	1,000 pcs	Yes	Yes
R1501JxxxB-T1-FE	TO-252-5-P2	3,000 pcs	Yes	Yes

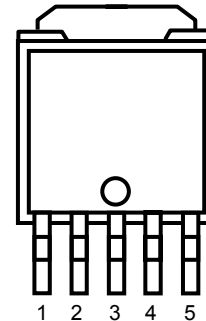
xxx : The output voltage can be designated in the range from 3.0V(030) to 12.0V(120) in 0.1V steps and 12.5V(125) to 18.0V(180) in 0.5V steps.
(For other voltages, please refer to MARK INFORMATION.)

PIN CONFIGURATIONS

• HSOP-6J



• TO-252-5-P2



PIN DESCRIPTIONS

• HSOP-6J

Pin No	Symbol	Pin Description
1	V_{DD}	Input Pin
2	GND*	Ground Pin
3	GND*	Ground Pin
4	CE	Chip Enable Pin ("H" Active)
5	GND*	Ground Pin
6	V_{OUT}	Output Pin

*) No.2, No.3 and No.5 pins must be wired short each other and connected to the GND plane when it is mounted on board.

• TO-252-5-P2

Pin No	Symbol	Pin Description
1	V_{DD}	Input Pin
2	GND*	Ground Pin
3	GND*	Ground Pin
4	CE	Chip Enable Pin ("H" Active)
5	V_{OUT}	Output Pin

*) No.2 and No.3 pins must be wired short each other and connected to the GND plane when it is mounted on board.

R1501x

NO.EA-184-160425

ABSOLUTE MAXIMUM RATINGS

Symbol	Item	Rating	Unit
V_{IN}	Input Voltage	-0.3 to 36	V
V_{CE}	Input Voltage (CE Pin)	-0.3 to $V_{IN} + 0.3 \leq 36$	V
V_{OUT}	Output Voltage	-0.3 to $V_{IN} + 0.3 \leq 36$	V
P_D	Power Dissipation (HSOP-6J)*	1700	mW
	Power Dissipation (TO-252-5-P2)*	1900	
T_{opt}	Operating Temperature Range	-40 to 105	°C
T_j	Operating Junction Temperature Range	-40 to 125	°C
T_{stg}	Storage Temperature Range	-55 to 125	°C

*) For Power Dissipation, please refer to PACKAGE INFORMATION.

ABSOLUTE MAXIMUM RATINGS

Electronic and mechanical stress momentarily exceeded absolute maximum ratings may cause the permanent damages and may degrade the life time and safety for both device and system using the device in the field.

The functional operation at or over these absolute maximum ratings is not assured.

RECOMMENDED OPERATING CONDITIONS (ELECTRICAL CHARACTERISTICS)

All of electronic equipment should be designed that the mounted semiconductor devices operate within the recommended operating conditions. The semiconductor devices cannot operate normally over the recommended operating conditions, even if when they are used over such conditions by momentary electronic noise or surge. And the semiconductor devices may receive serious damage when they continue to operate over the recommended operating conditions.

ELECTRICAL CHARACTERISTICS

• R1501xxxxB

$V_{IN}=V_{SET}+1.0V$, $V_{CE}=V_{IN}$, unless otherwise noted.

The specification in is checked and guaranteed by design engineering at $-40^{\circ}C \leq T_{opt} \leq 105^{\circ}C$.

$T_{opt}=25^{\circ}C$

Symbol	Item	Conditions		Min.	Typ.	Max.	Unit
V_{IN}	Input Voltage			3		24	V
V_{OUT}	Output Voltage	$I_{OUT}=1mA$	$T_{opt}=25^{\circ}C$	$\times 0.98$		$\times 1.02$	V
			$-40^{\circ}C \leq T_{opt} \leq 105^{\circ}C$	$\times 0.965$		$\times 1.035$	V
I_{SS}	Supply Current	$V_{IN}=24V$, $I_{OUT}=0A$			70	160	μA
$I_{standby}$	Standby Current	$V_{IN}=24V$, $V_{CE}=0V$			0.1	1.0	μA
$\Delta V_{OUT}/\Delta I_{OUT}$	Load Regulation	$0.1mA \leq I_{OUT} \leq 200mA$			25	60	mV
		$0.1mA \leq I_{OUT} \leq 1A$ *guaranteed by design engineering			125	300	mV
$\Delta V_{OUT}/\Delta V_{IN}$	Line Regulation	$V_{SET}+1V \leq V_{IN} \leq 24V$, $I_{OUT}=10mA$			0.05	0.1	%/V
V_{DIF}	Dropout Voltage	$I_{OUT}=200mA$	$3.0V \leq V_{SET} < 5.0V$		0.135	0.225	V
			$5.0V \leq V_{SET} < 9.0V$		0.115	0.180	
			$9.0V \leq V_{SET} < 12.0V$		0.095	0.155	
			$12.0V \leq V_{SET} \leq 18.0V$		0.090	0.140	
		$I_{OUT}=1A$ *guaranteed by design engineering	$3.0V \leq V_{SET} < 5.0V$		0.675	1.125	V
			$5.0V \leq V_{SET} < 9.0V$		0.575	0.900	
			$9.0V \leq V_{SET} < 12.0V$		0.475	0.775	
			$12.0V \leq V_{SET} \leq 18.0V$		0.450	0.700	
$\Delta V_{OUT}/\Delta T_{opt}$	Output Voltage Temperature Coefficient	$I_{OUT}=1mA$ $-40^{\circ}C \leq T_{opt} \leq 105^{\circ}C$			± 100		ppm/ $^{\circ}C$
I_{LIM}	Output Current			1			A
I_{SC}	Short Current Limit	$V_{OUT}=0V$			65		mA
RR	Ripple Rejection	$f=1kHz$, Ripple 0.5Vp-p, $I_{OUT}=100mA$, $V_{IN}=V_{SET}+2V$	$V_{SET} \leq 6.0V$		60		dB
			$V_{SET} > 6.0V$		50		
V_{CEH}	CE Input Voltage "H"			2.0		V_{IN}	V
V_{CEL}	CE Input Voltage "L"			0		0.5	V
T_{TSD}	Thermal Shutdown Temperature	Junction Temperature			160		$^{\circ}C$
T_{TSR}	Thermal Shutdown Released Temperature	Junction Temperature			135		$^{\circ}C$

All of unit are tested and specified under load conditions such that $T_{opt}=25^{\circ}C$ except for Output Voltage Temperature Coefficient, Ripple Rejection, Thermal Shutdown Temperature, Thermal Shutdown Released Temperature, Load Regulation at $0.1mA \leq I_{OUT} \leq 1A$, Dropout Voltage at $I_{OUT}=1A$.

TYPICAL APPLICATION



(External Components)

C2: Ceramic 10 μ F MURATA: GRM32DB31E106K (size: 3225)

TECHNICAL NOTES

When using these ICs, consider the following points:

Phase Compensation

In these ICs, phase compensation is made for securing stable operation even if the load current is varied. For this purpose, use a capacitor C2 with good frequency characteristics and ESR (Equivalent Series Resistance).

If you use a tantalum type capacitor and ESR value of the capacitor is large, output might be unstable. Evaluate your circuit with considering frequency characteristics.

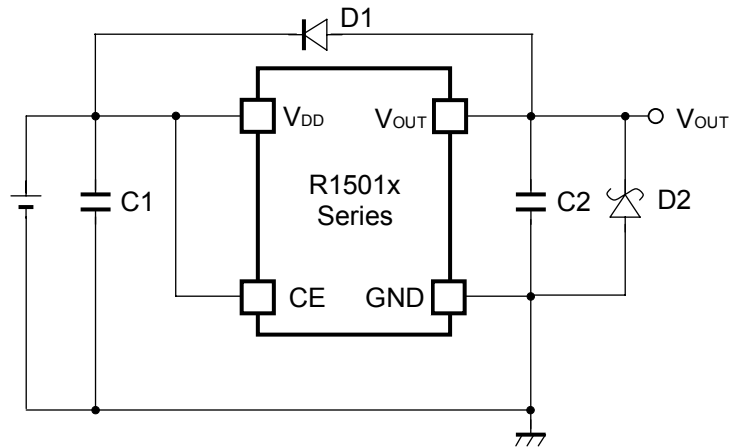
Depending on the capacitor size, manufacturer, and part number, the bias characteristics and temperature characteristics are different. Evaluate the circuit with actual using capacitors.

PCB Layout

Make V_{DD} and GND lines sufficient. If their impedance is high, noise pickup or unstable operation may result. Connect a capacitor C1 with a capacitance value as much as 0.47 μ F or more between V_{DD} and GND pin, and as close as possible to the pins.

Set external components, especially the output capacitor C2, as close as possible to the ICs, and make wiring as short as possible.

No.2 pin, No.3 pin and No.5 pin of HSOP-6J package must be wired to the GND plane when it is mounted on board. No.2 pin and No.3 pin of TO-252-5-P2 package must be wired to the GND plane when it is mounted on board.

TYPICAL APPLICATION FOR PREVENTING IC DESTRUCTION

C1: 0.47 μ F or more (preventing for unstable operation)

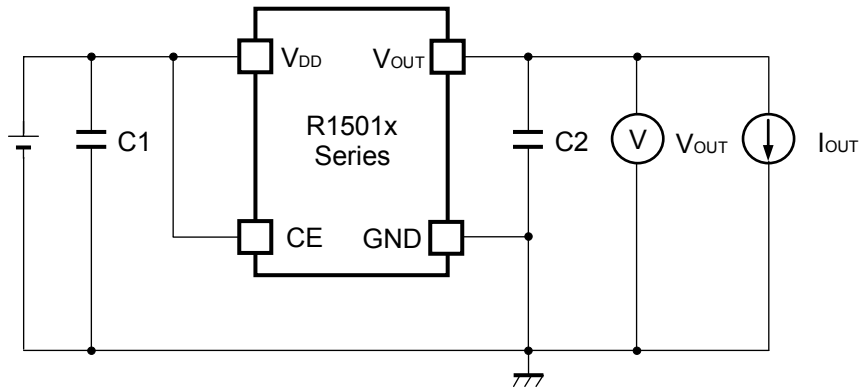
C2: 10 μ F or more (preventing for unstable operation)

D1: If V_{OUT} pin could be higher than V_{IN} pin, D1 is necessary.

D2: If V_{OUT} pin could be lower than GND pin, SBD is necessary.

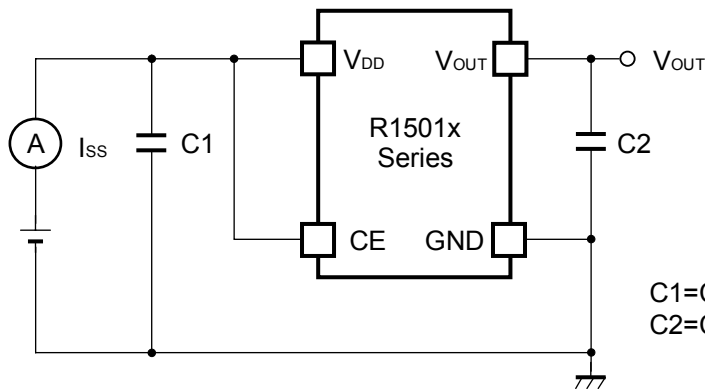
Note: Do not force the voltage to V_{OUT} pin.

TEST CIRCUITS



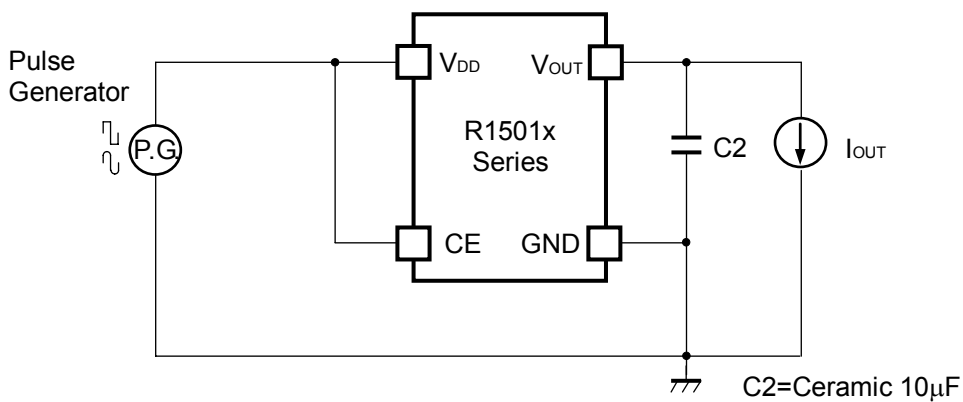
C1=Ceramic 0.47 μ F
C2=Ceramic 10 μ F

Basic Test Circuit



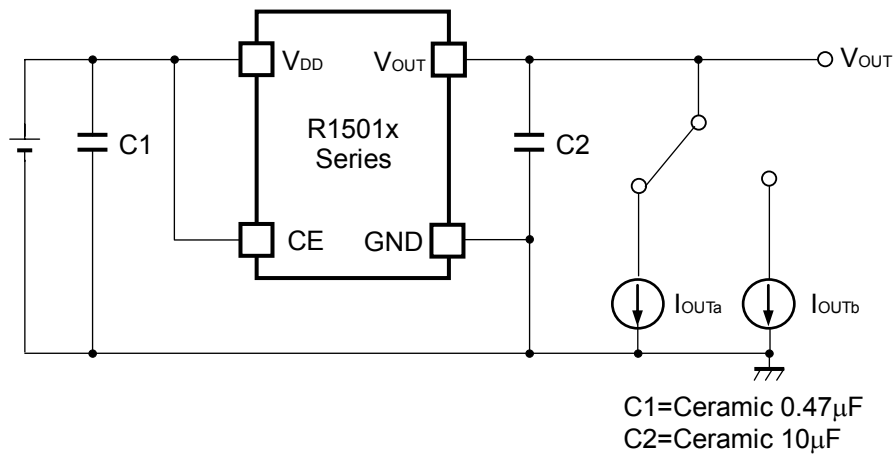
C1=Ceramic 0.47 μ F
C2=Ceramic 10 μ F

Test Circuit for Supply Current

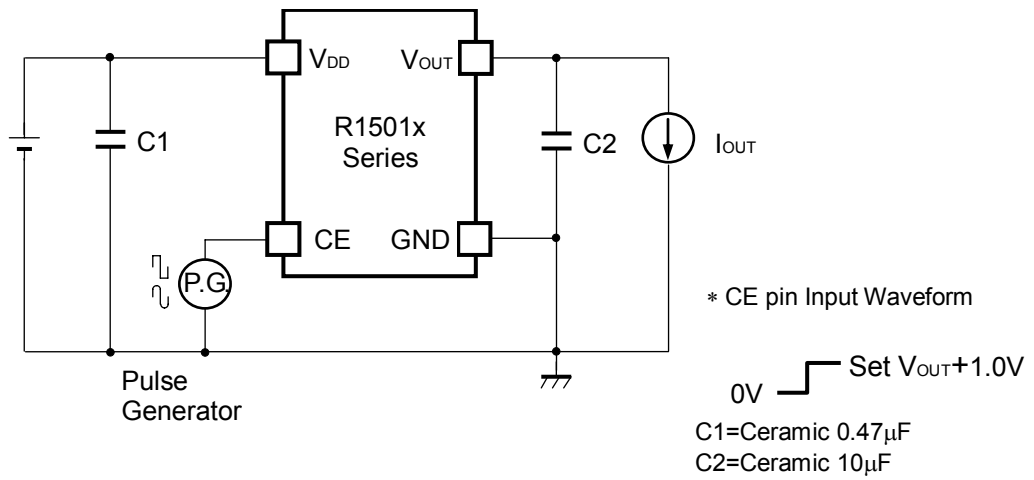


C2=Ceramic 10 μ F

Test Circuit for Ripple Rejection, Input Transient Response



Test Circuit for Load Transient Response



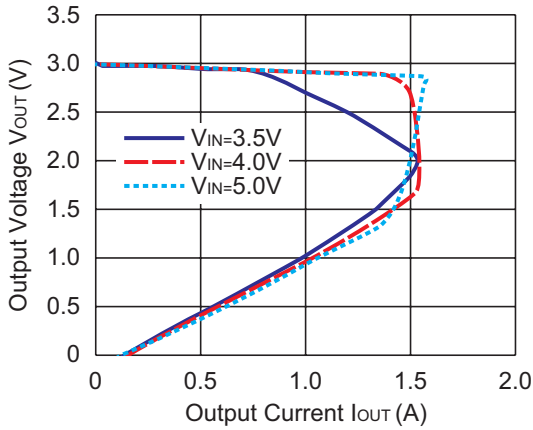
Test Circuit for Turn On Speed with CE pin

TYPICAL CHARACTERISTICS

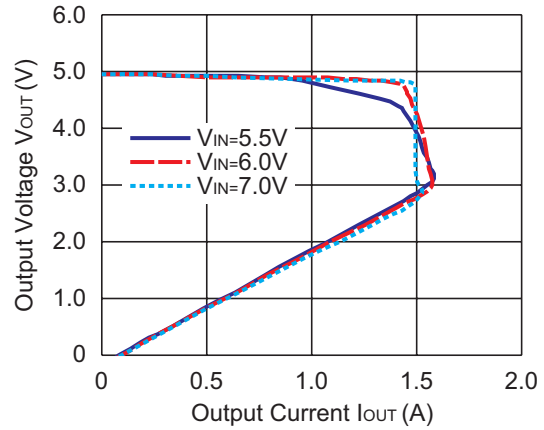
*Topt=25°C, unless otherwise noted.

1) Output Voltage vs. Output Current (C1=Ceramic 0.47μF, C2=Ceramic 10μF)

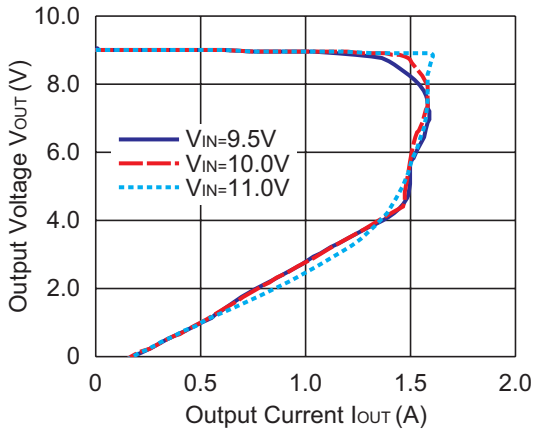
R1501x030B



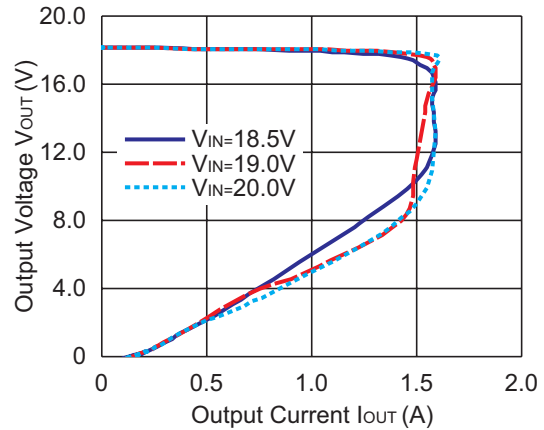
R1501x050B



R1501x090B

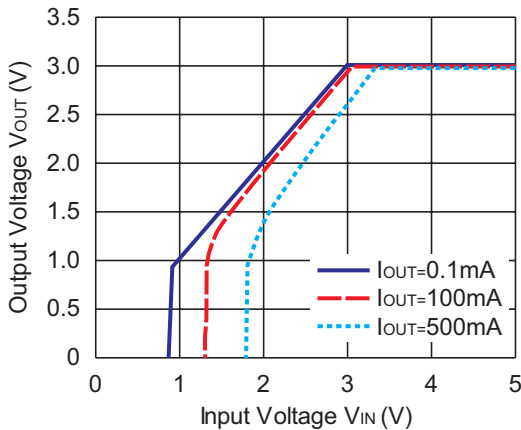


R1501x180B

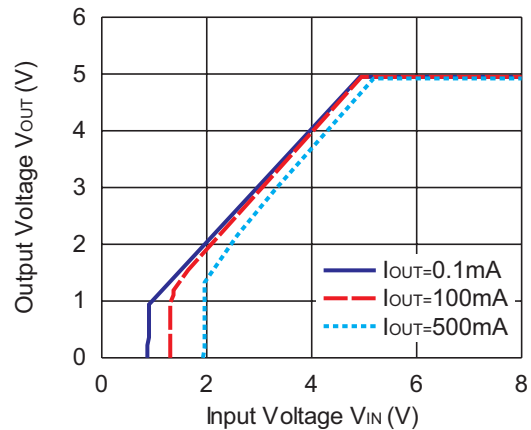


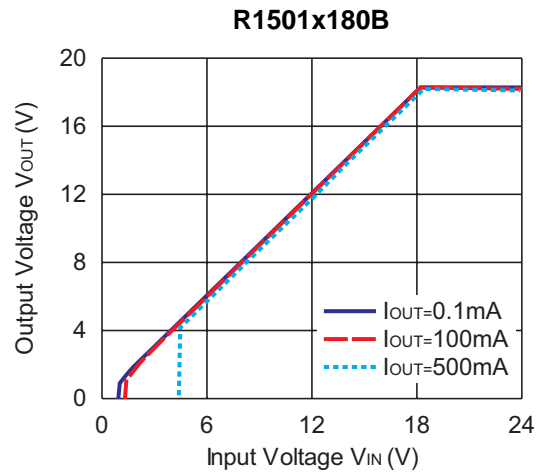
2) Output Voltage vs. Input Voltage (C1=Ceramic 0.47μF, C2=Ceramic 10μF)

R1501x030B

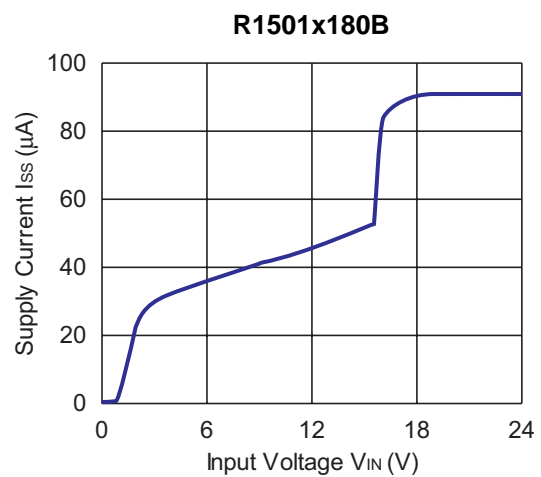
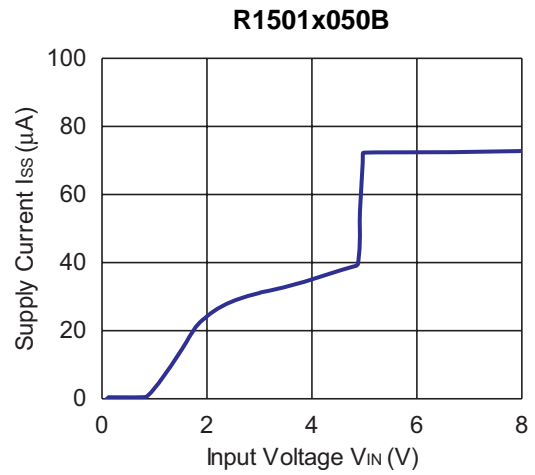


R1501x050B





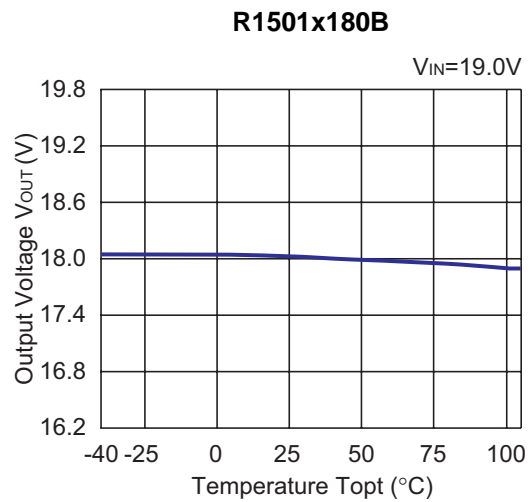
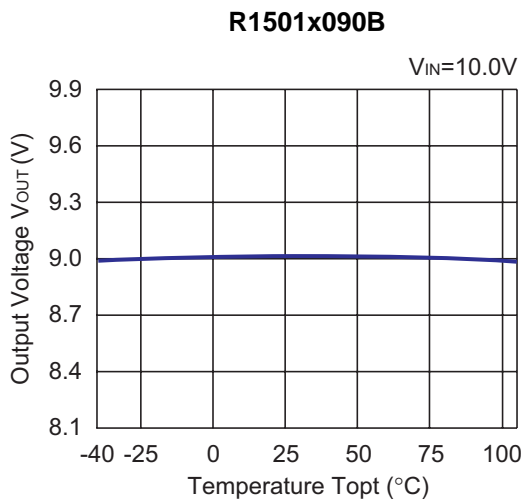
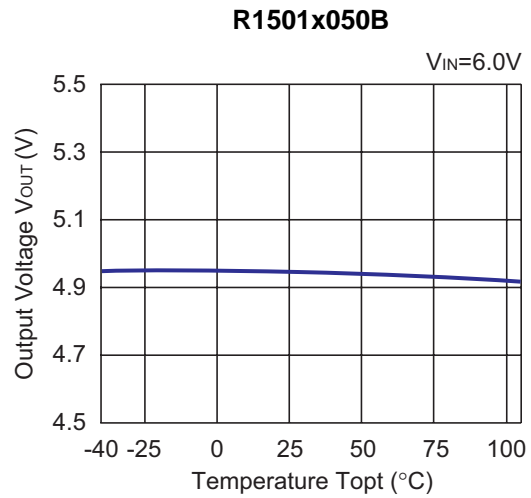
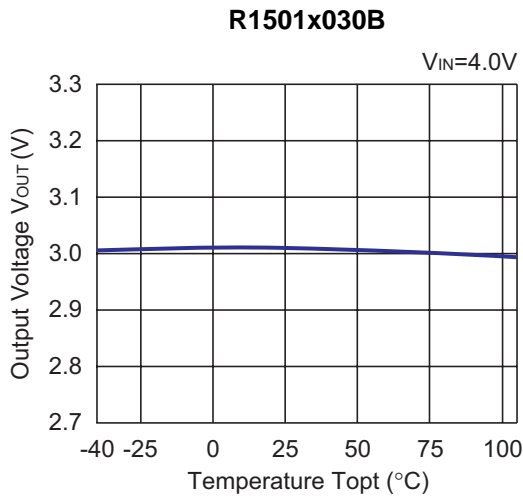
3) Supply Current vs. Input Voltage (C1=Ceramic 0.47 μ F, C2=Ceramic 10 μ F)



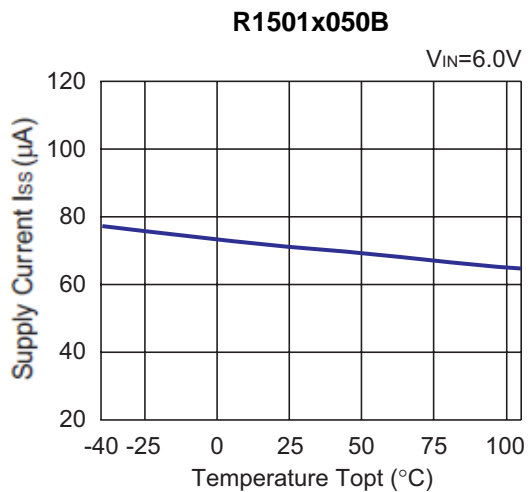
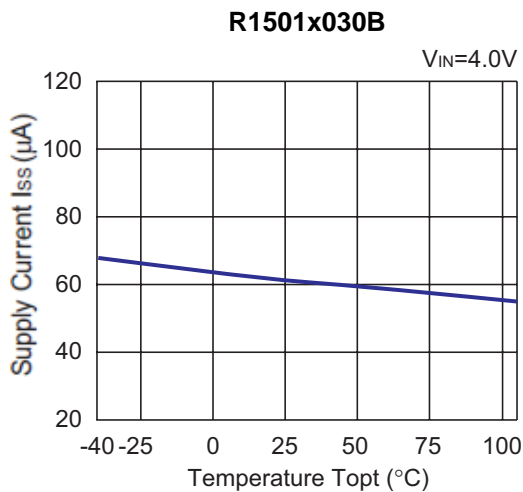
R1501x

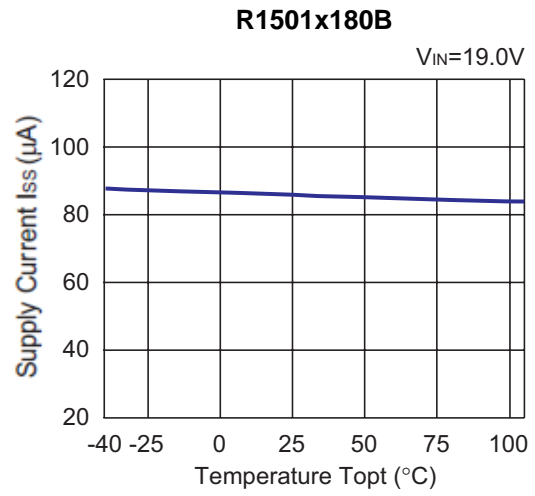
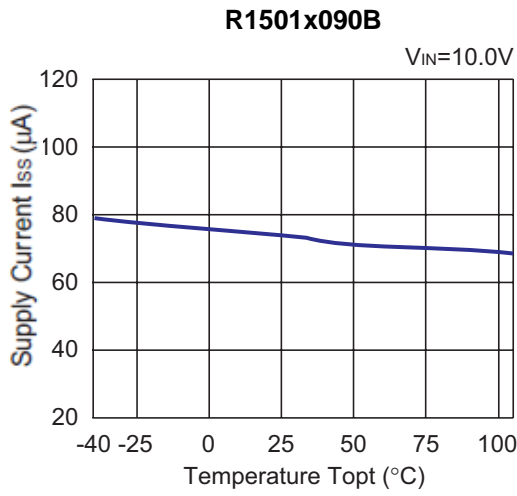
NO.EA-184-160425

4) Output Voltage vs. Temperature (C1=Ceramic 0.47 μ F, C2=Ceramic 10 μ F, I_{OUT}=1mA)

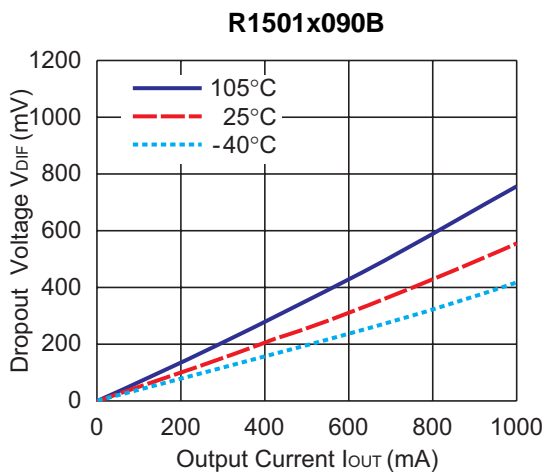
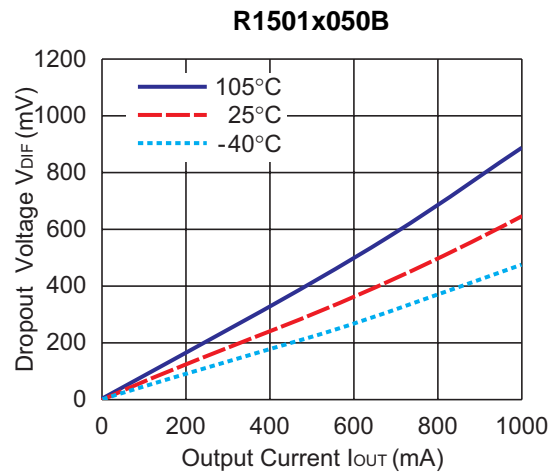
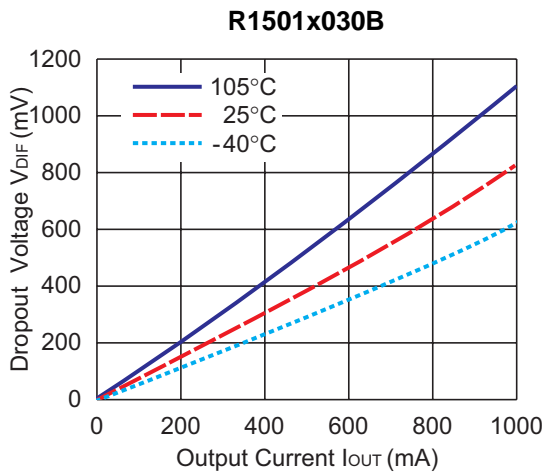


5) Supply Current vs. Temperature (C1=Ceramic 0.47 μ F, C2=Ceramic 10 μ F, I_{OUT}=0mA)





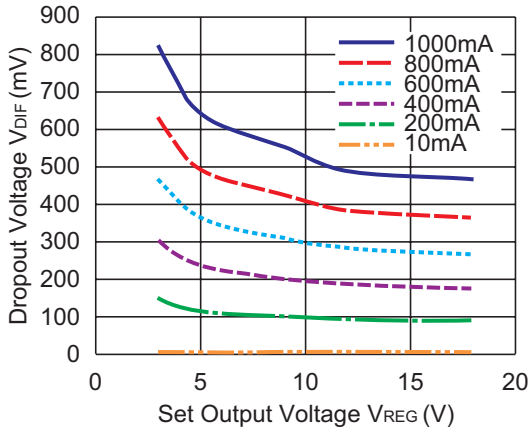
6) Dropout Voltage vs. Output Current (C1=Ceramic 0.47µF, C2=Ceramic 10µF)



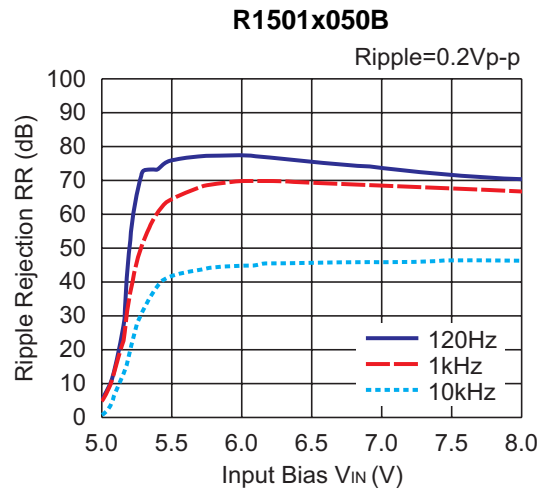
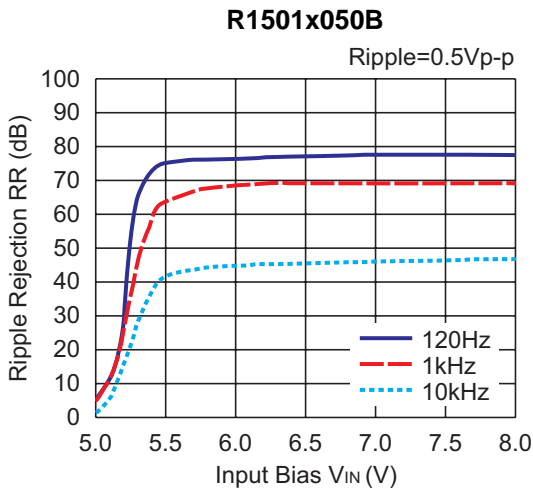
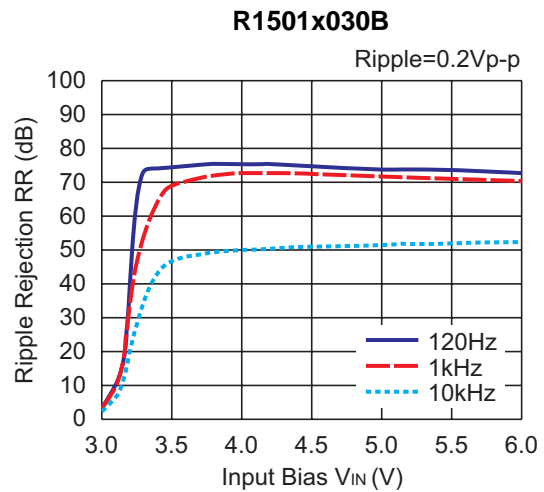
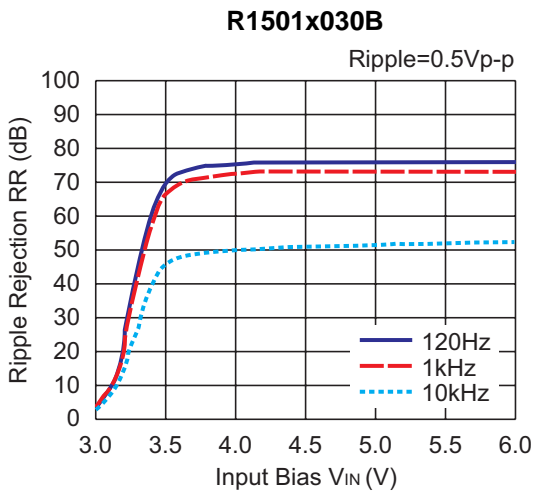
R1501x

NO.EA-184-160425

7) Dropout Voltage vs. Set Output Voltage (C1=Ceramic 0.47 μ F, C2=Ceramic 10 μ F)



8) Ripple Rejection vs. Input Bias Voltage (C1=none, C2=Ceramic 10 μ F, I_{OUT} =100mA)





9) Ripple Rejection vs. Frequency (C1=none, C2=Ceramic 10μF, Ripple=0.5Vp-p)

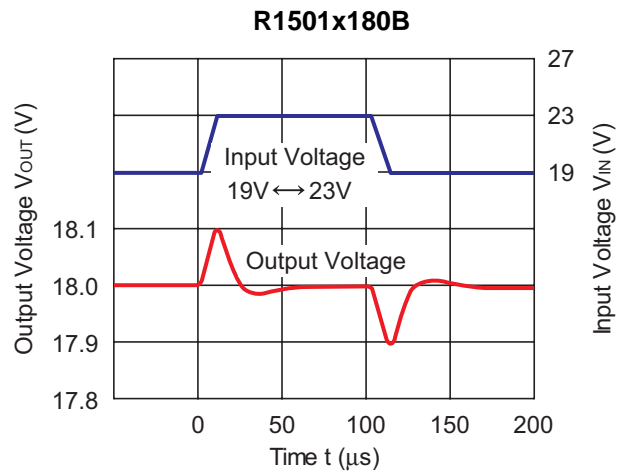
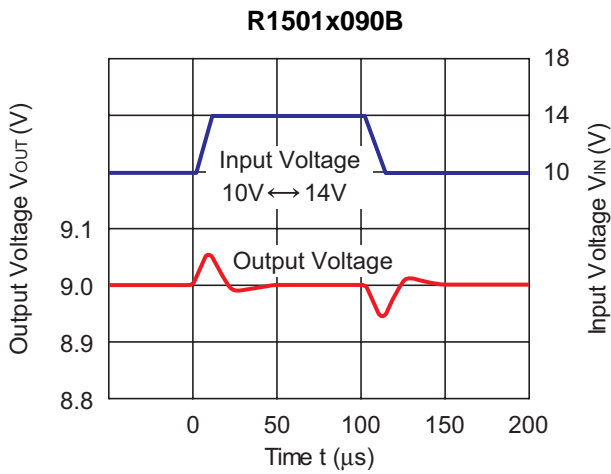
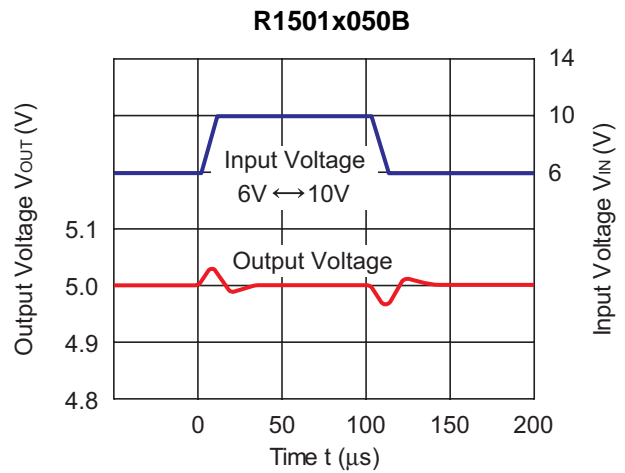


R1501x

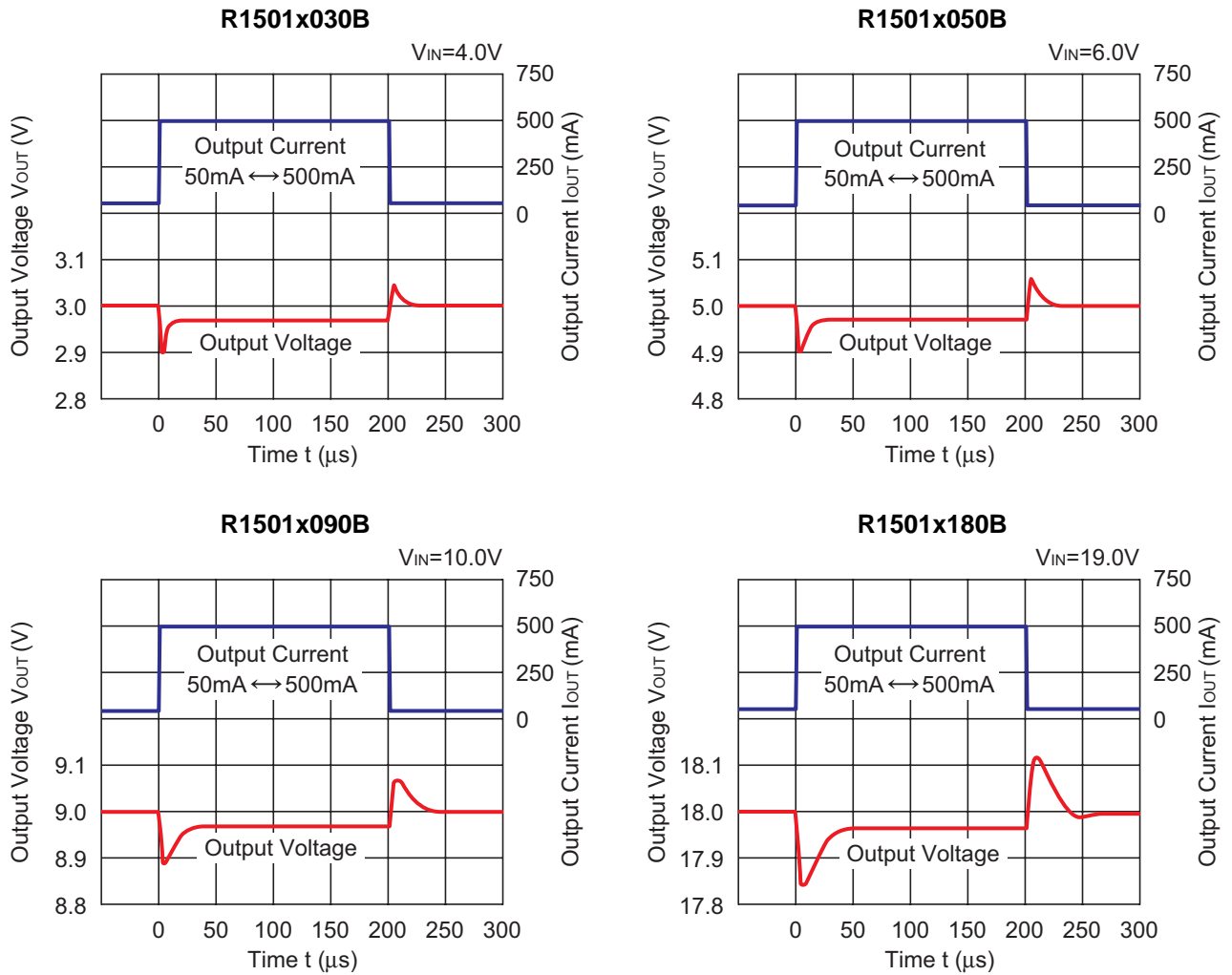
NO.EA-184-160425



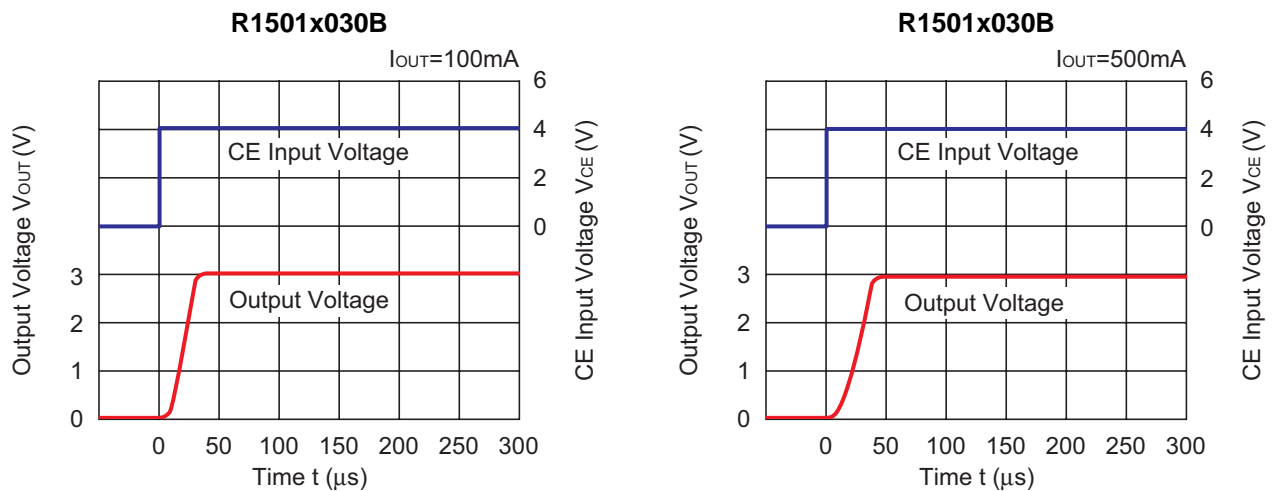
10) Input Transient Response ($C1=none$, $C2=Ceramic\ 10\mu F$, $I_{OUT}=100mA$, $t_r=t_f=10\mu s$)



11) Load Transient Response (C1=Ceramic 0.47μF, C2=Ceramic 10μF, tr=tf=0.5μs)

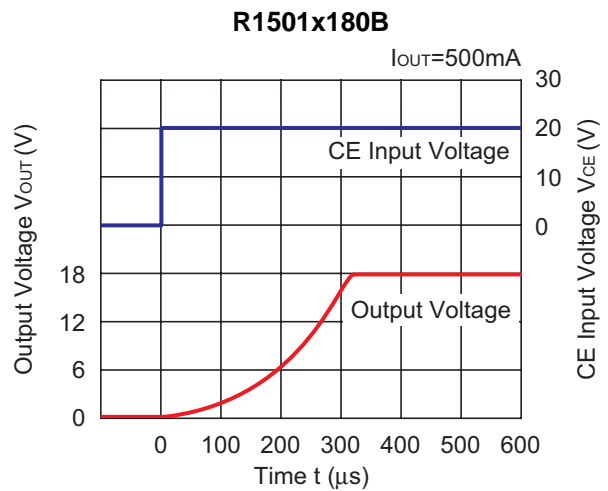
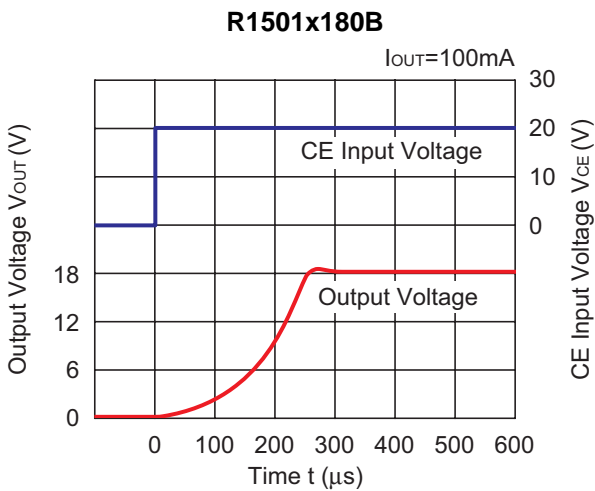
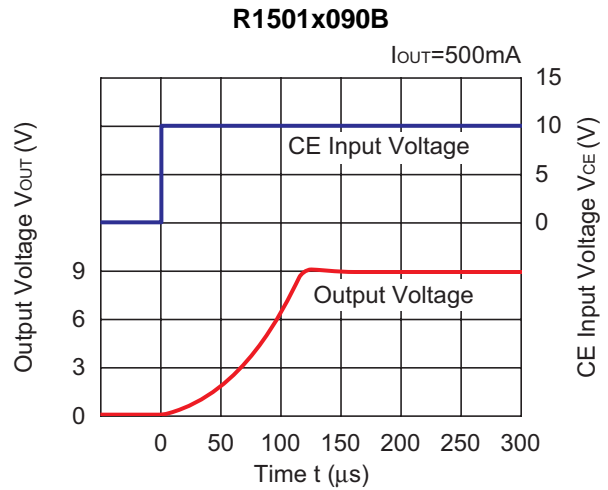
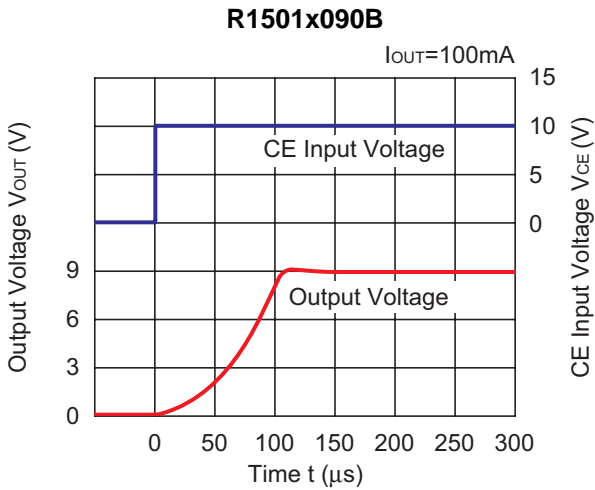
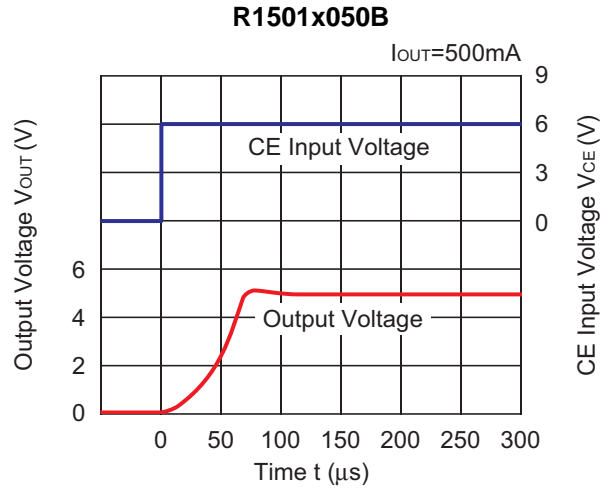
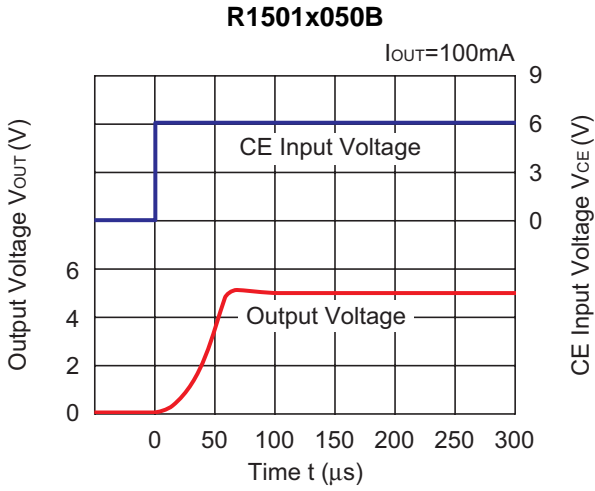


12) Turn On Speed with CE pin (C1=Ceramic 0.47μF, C2=Ceramic 10μF, tr=tf=0.5μs)



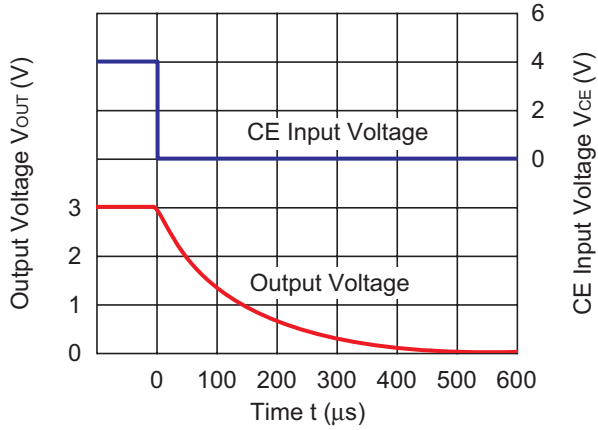
R1501x

NO.EA-184-160425

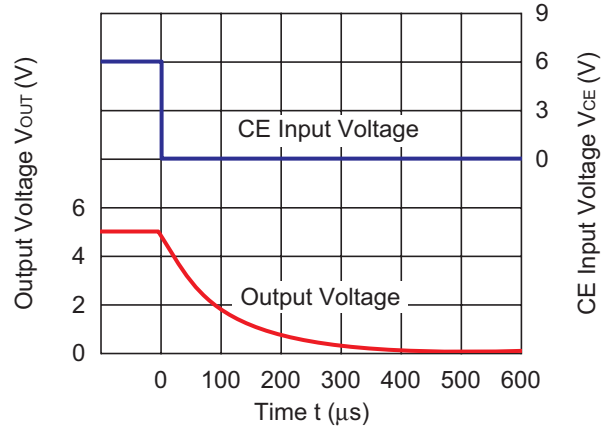


13) Turn Off Speed with CE (C1=Ceramic 0.47μF, C2=Ceramic 10μF, I_{OUT}=500mA, tr=tf=0.5μs)

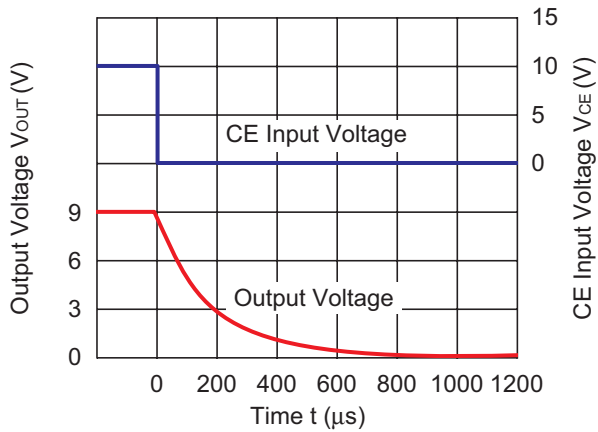
R1501x030B



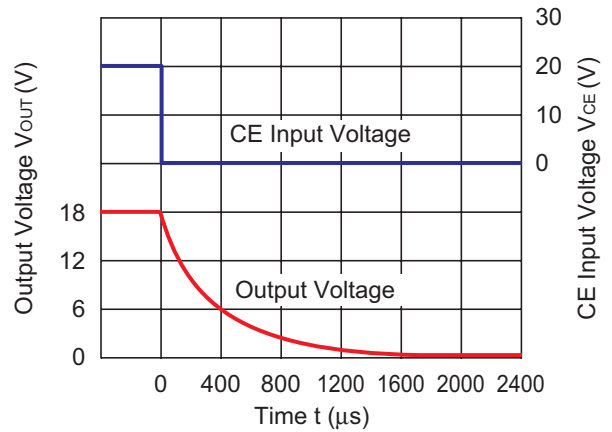
R1501x050B



R1501x090B



R1501x180B



R1501x

NO.EA-184-160425

ESR vs. Output Current

When using these ICs, consider the following points:

The relations between I_{OUT} (Output Current) and ESR of an output capacitor are shown below.

The conditions when the white noise level is under the specified certain level are marked as the hatched area in the graph.

Measurement conditions

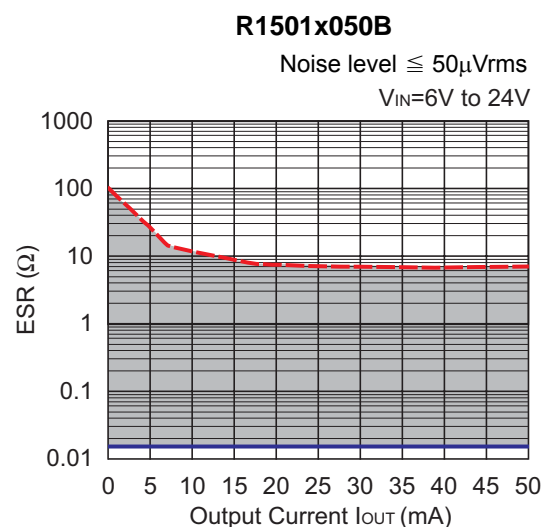
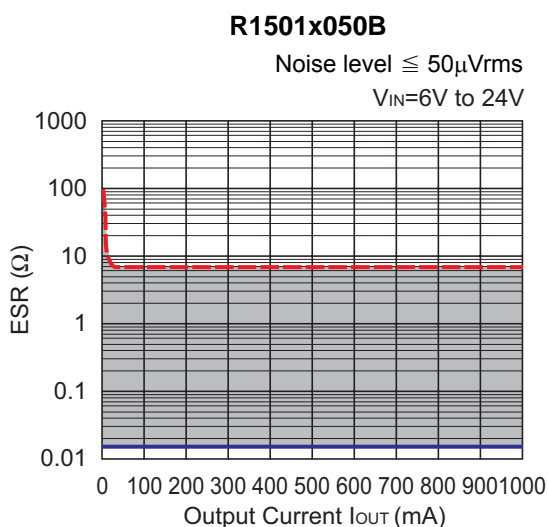
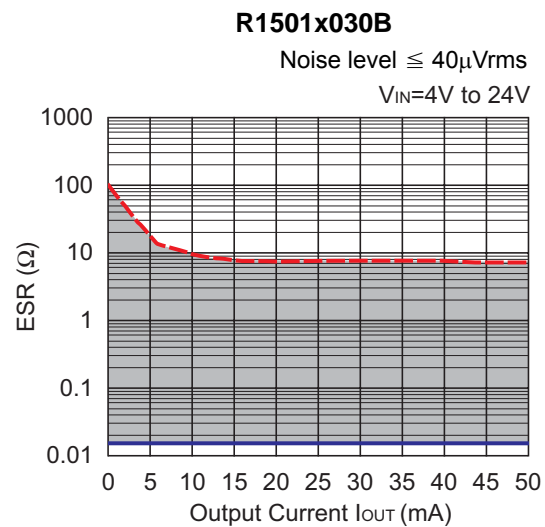
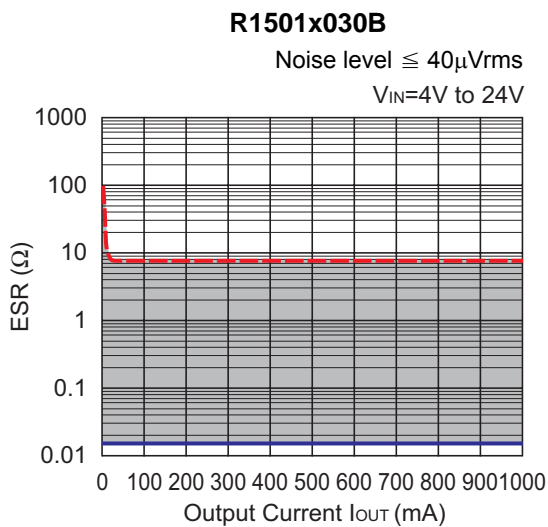
Input Voltage : $V_{OUT} + 1V$ to 24V

Frequency Band : 10Hz to 1MHz

Temperature : $-40^{\circ}C$ to $105^{\circ}C$

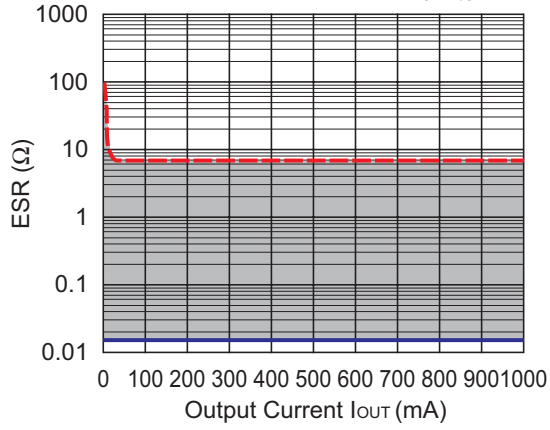
Capacitor : C1=Ceramic 0.47 μ F

C2=Ceramic 10 μ F



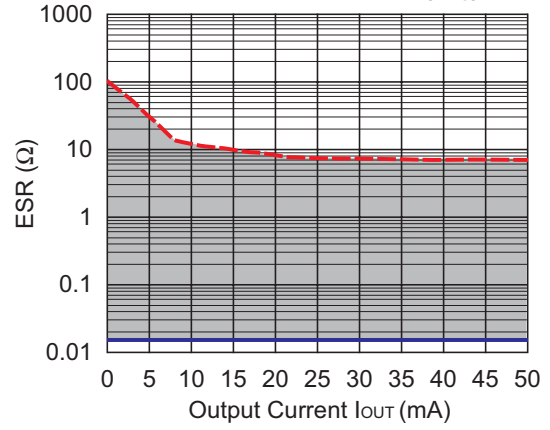
R1501x090B

Noise level $\leq 120\mu\text{Vrms}$
 $V_{\text{IN}}=10\text{V to }24\text{V}$



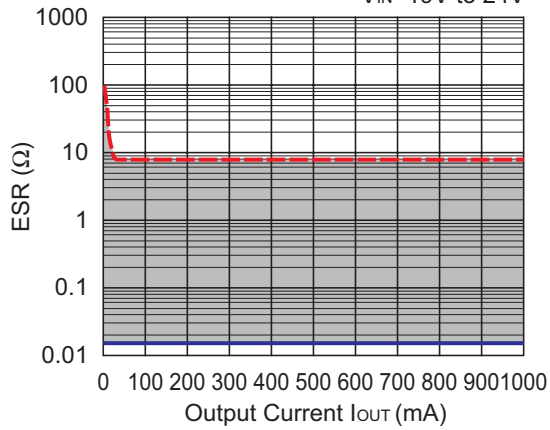
R1501x090B

Noise level $\leq 120\mu\text{Vrms}$
 $V_{\text{IN}}=10\text{V to }24\text{V}$



R1501x180B

Noise level $\leq 220\mu\text{Vrms}$
 $V_{\text{IN}}=19\text{V to }24\text{V}$



R1501x180B

Noise level $\leq 220\mu\text{Vrms}$
 $V_{\text{IN}}=19\text{V to }24\text{V}$



R1501x

NO.EA-184-160425

PACKAGE INFORMATION

Power Dissipation (TO-252-5-P2)

Power Dissipation (P_D) depends on conditions of mounting on board.
This specification is based on the measurement at the condition below.

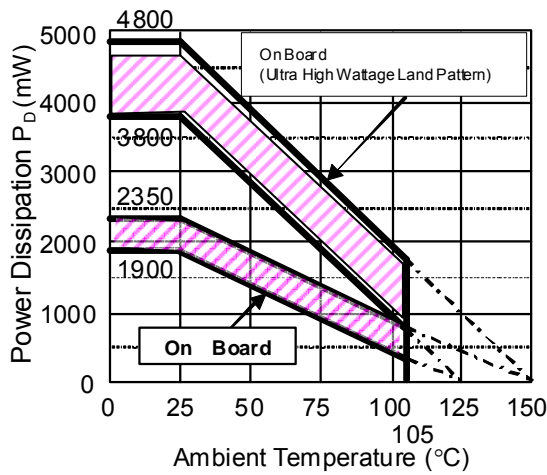
* Measurement conditions

	Standard Land Pattern	Ultra High Wattage Land Pattern
Environment	Mounting on board (Wind velocity 0m/s)	
Board Material	Glass cloth epoxy plastic (Double layers)	Glass cloth epoxy plastic (Four-layers)
Board Dimensions	50mm x 50mm x 1.6mm	76.2mm x 114.3mm x 0.8mm
Copper Ratio	Top side: Approx. 50%, Back side: Approx. 50%	Top, Back side: 50mmSquare Approx. 96%, 2nd, 3rd: 50mmSquare Approx. 100%
Through - hole	ϕ 0.5mm x 24pcs	ϕ 0.4mm x 30pcs

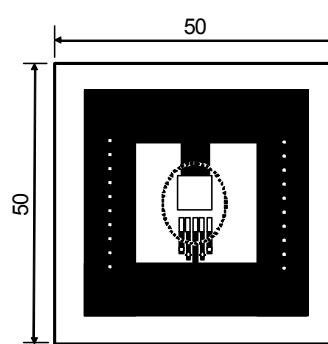
* Measurement Results

($T_a=25^\circ\text{C}$, $T_{j\text{max}}=125^\circ\text{C}$)

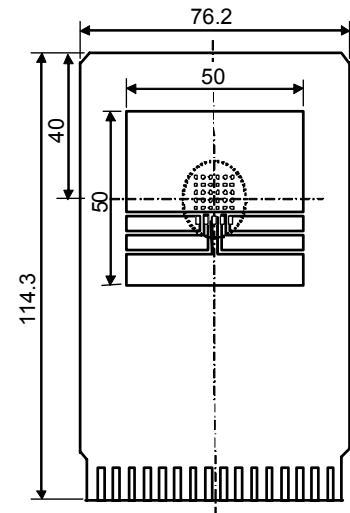
	Standard Land Pattern	Ultra High Wattage Land Pattern
Power Dissipation	1900mW	3800mW
Thermal Resistance	$\theta_{ja}=(125-25^\circ\text{C})/1.9\text{W}= 53^\circ\text{C/W}$	$\theta_{ja}= (125-25^\circ\text{C})/3.8\text{W} = 26^\circ\text{C/W}$
	$\theta_{jc}= 17^\circ\text{C/W}$	$\theta_{jc}= 7^\circ\text{C/W}$



Power Dissipation



Standard



Ultra High Wattage

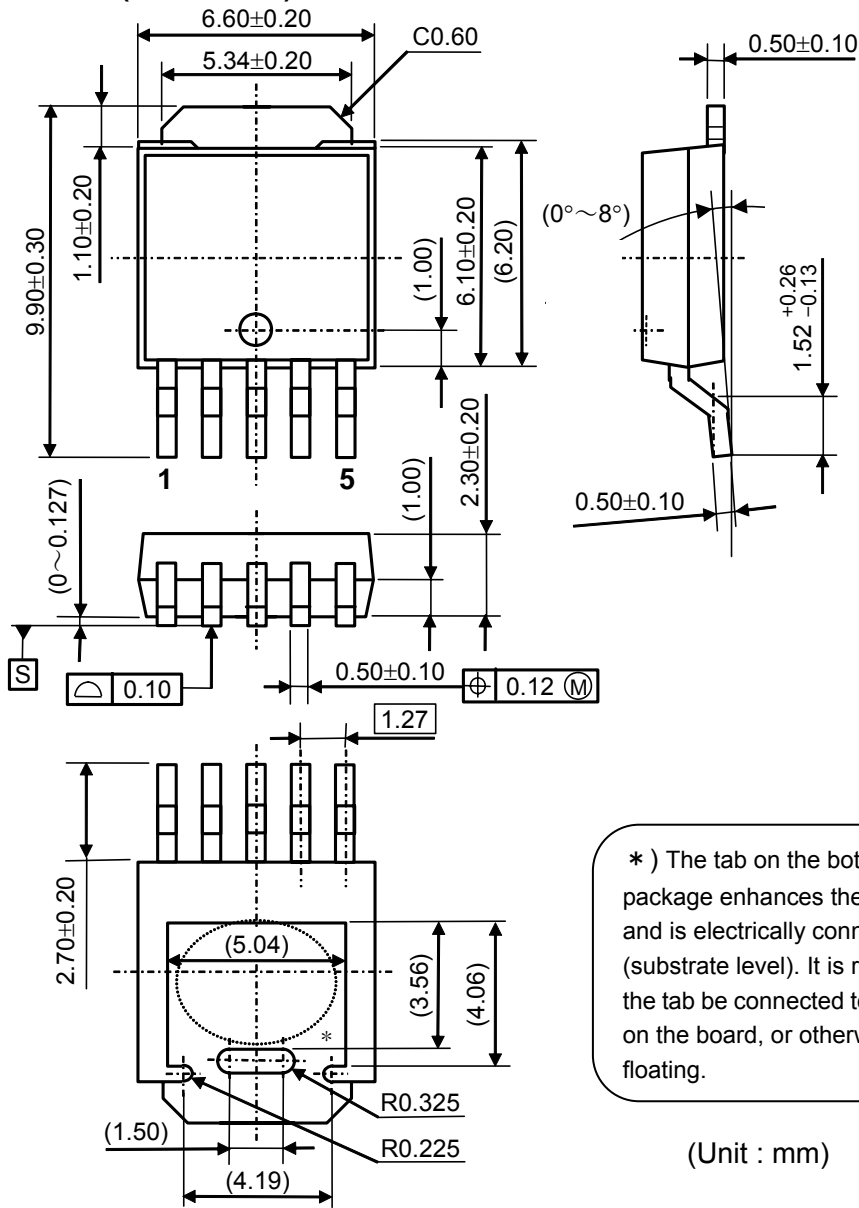
Measurement Board Pattern

○ IC Mount Area (Unit: mm)

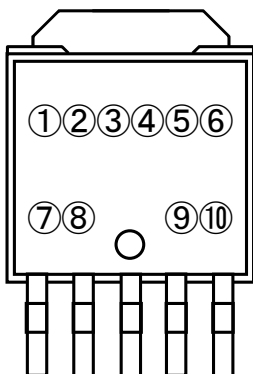
The above graph shows the Power Dissipation of the package based on $T_{j\text{max}}=125^\circ\text{C}$ and $T_{j\text{max}}=150^\circ\text{C}$. Operating the IC in the shaded area in the graph might have an influence its lifetime. Operating time must be within the time limit described in the table below, in case of operating in the shaded area.

Operating Time	Estimated years (Operating four hours/day)
13,000 hours	9 years

Package Dimensions (TO-252-5-P2)



Mark Specification (TO-252-5-P2)



① ② ③ ④ ⑤ ⑥ ⑦ : Product Code ... Refer to the R1501J Series Mark Specification Table.

⑧ : Blank

⑨ ⑩ : Lot Number ... Alphanumeric Serial Number

R1501J Series Mark Specification

(PKG: TO-252-5-P2)

Product Name	①	②	③	④	⑤	⑥	⑦	Product Name	①	②	③	④	⑤	⑥	⑦
R1501J030B	A	1	J	0	3	0	B	R1501J080B	A	1	J	0	8	0	B
R1501J031B	A	1	J	0	3	1	B	R1501J081B	A	1	J	0	8	1	B
R1501J032B	A	1	J	0	3	2	B	R1501J082B	A	1	J	0	8	2	B
R1501J033B	A	1	J	0	3	3	B	R1501J083B	A	1	J	0	8	3	B
R1501J034B	A	1	J	0	3	4	B	R1501J084B	A	1	J	0	8	4	B
R1501J035B	A	1	J	0	3	5	B	R1501J085B	A	1	J	0	8	5	B
R1501J036B	A	1	J	0	3	6	B	R1501J086B	A	1	J	0	8	6	B
R1501J037B	A	1	J	0	3	7	B	R1501J087B	A	1	J	0	8	7	B
R1501J038B	A	1	J	0	3	8	B	R1501J088B	A	1	J	0	8	8	B
R1501J039B	A	1	J	0	3	9	B	R1501J089B	A	1	J	0	8	9	B
R1501J040B	A	1	J	0	4	0	B	R1501J090B	A	1	J	0	9	0	B
R1501J041B	A	1	J	0	4	1	B	R1501J091B	A	1	J	0	9	1	B
R1501J042B	A	1	J	0	4	2	B	R1501J092B	A	1	J	0	9	2	B
R1501J043B	A	1	J	0	4	3	B	R1501J093B	A	1	J	0	9	3	B
R1501J044B	A	1	J	0	4	4	B	R1501J094B	A	1	J	0	9	4	B
R1501J045B	A	1	J	0	4	5	B	R1501J095B	A	1	J	0	9	5	B
R1501J046B	A	1	J	0	4	6	B	R1501J096B	A	1	J	0	9	6	B
R1501J047B	A	1	J	0	4	7	B	R1501J097B	A	1	J	0	9	7	B
R1501J048B	A	1	J	0	4	8	B	R1501J098B	A	1	J	0	9	8	B
R1501J049B	A	1	J	0	4	9	B	R1501J099B	A	1	J	0	9	9	B
R1501J050B	A	1	J	0	5	0	B	R1501J100B	A	1	J	1	0	0	B
R1501J051B	A	1	J	0	5	1	B	R1501J101B	A	1	J	1	0	1	B
R1501J052B	A	1	J	0	5	2	B	R1501J102B	A	1	J	1	0	2	B
R1501J053B	A	1	J	0	5	3	B	R1501J103B	A	1	J	1	0	3	B
R1501J054B	A	1	J	0	5	4	B	R1501J104B	A	1	J	1	0	4	B
R1501J055B	A	1	J	0	5	5	B	R1501J105B	A	1	J	1	0	5	B
R1501J056B	A	1	J	0	5	6	B	R1501J106B	A	1	J	1	0	6	B
R1501J057B	A	1	J	0	5	7	B	R1501J107B	A	1	J	1	0	7	B
R1501J058B	A	1	J	0	5	8	B	R1501J108B	A	1	J	1	0	8	B
R1501J059B	A	1	J	0	5	9	B	R1501J109B	A	1	J	1	0	9	B
R1501J060B	A	1	J	0	6	0	B	R1501J110B	A	1	J	1	1	0	B
R1501J061B	A	1	J	0	6	1	B	R1501J111B	A	1	J	1	1	1	B
R1501J062B	A	1	J	0	6	2	B	R1501J112B	A	1	J	1	1	2	B
R1501J063B	A	1	J	0	6	3	B	R1501J113B	A	1	J	1	1	3	B
R1501J064B	A	1	J	0	6	4	B	R1501J114B	A	1	J	1	1	4	B
R1501J065B	A	1	J	0	6	5	B	R1501J115B	A	1	J	1	1	5	B
R1501J066B	A	1	J	0	6	6	B	R1501J116B	A	1	J	1	1	6	B
R1501J067B	A	1	J	0	6	7	B	R1501J117B	A	1	J	1	1	7	B
R1501J068B	A	1	J	0	6	8	B	R1501J118B	A	1	J	1	1	8	B
R1501J069B	A	1	J	0	6	9	B	R1501J119B	A	1	J	1	1	9	B
R1501J070B	A	1	J	0	7	0	B	R1501J120B	A	1	J	1	2	0	B
R1501J071B	A	1	J	0	7	1	B	R1501J125B	A	1	J	1	2	5	B
R1501J072B	A	1	J	0	7	2	B	R1501J130B	A	1	J	1	3	0	B
R1501J073B	A	1	J	0	7	3	B	R1501J135B	A	1	J	1	3	5	B
R1501J074B	A	1	J	0	7	4	B	R1501J140B	A	1	J	1	4	0	B
R1501J075B	A	1	J	0	7	5	B	R1501J145B	A	1	J	1	4	5	B
R1501J076B	A	1	J	0	7	6	B	R1501J150B	A	1	J	1	5	0	B
R1501J077B	A	1	J	0	7	7	B	R1501J155B	A	1	J	1	5	5	B
R1501J078B	A	1	J	0	7	8	B	R1501J160B	A	1	J	1	6	0	B
R1501J079B	A	1	J	0	7	9	B	R1501J165B	A	1	J	1	6	5	B
								R1501J170B	A	1	J	1	7	0	B
								R1501J175B	A	1	J	1	7	5	B
								R1501J180B	A	1	J	1	8	0	B

Power Dissipation (HSOP-6J)

Power Dissipation (P_o) depends on conditions of mounting on board. This specification is based on the measurement at the condition below:

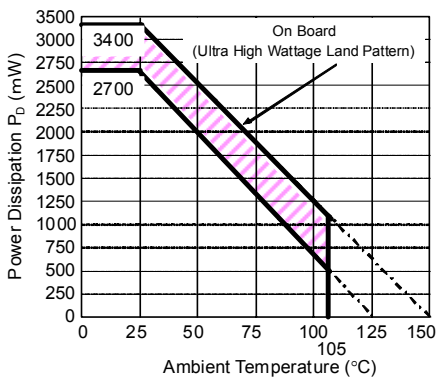
Measurement Conditions

	Ultra High Wattage Land Pattern	Standard Land Pattern
Environment	Mounting on Board (Wind velocity=0m/s)	Mounting on Board (Wind velocity=0m/s)
Board Material	Glass cloth epoxy plastic (4 Layers)	Glass cloth epoxy plastic (2 Layers)
Board Dimensions	76.2mm × 114.3mm × 0.8mm	50mm × 50mm × 1.6mm
Copper Ratio	96%	50%
Through-hole	φ0.3mm × 28pcs	φ0.5mm × 24pcs

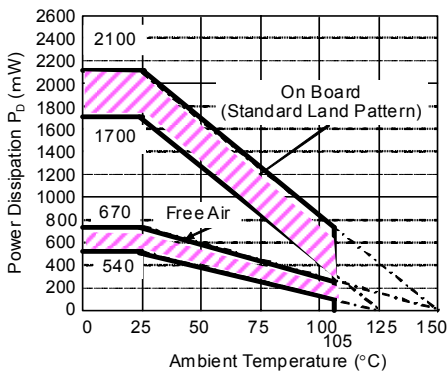
Measurement Result

($T_a=25^{\circ}\text{C}$, $T_{j\text{max}}=125^{\circ}\text{C}$)

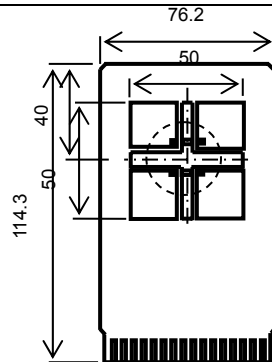
	Ultra High Wattage Land Pattern	Standard Land Pattern	Free Air
Power Dissipation	2700mW	1700mW	540mW
Thermal Resistance	37°C /W	59°C/W	185°C/W



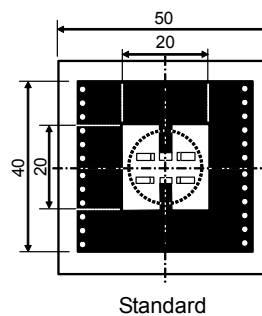
Power Dissipation



Power Dissipation



○ Ultra High Wattage Land Pattern



Standard

Measurement Board Pattern
○ IC Mount Area (Unit: mm)

The above graph shows the Power Dissipation of the package based on $T_{j\text{max}}=125^{\circ}\text{C}$ and $T_{j\text{max}}=150^{\circ}\text{C}$.

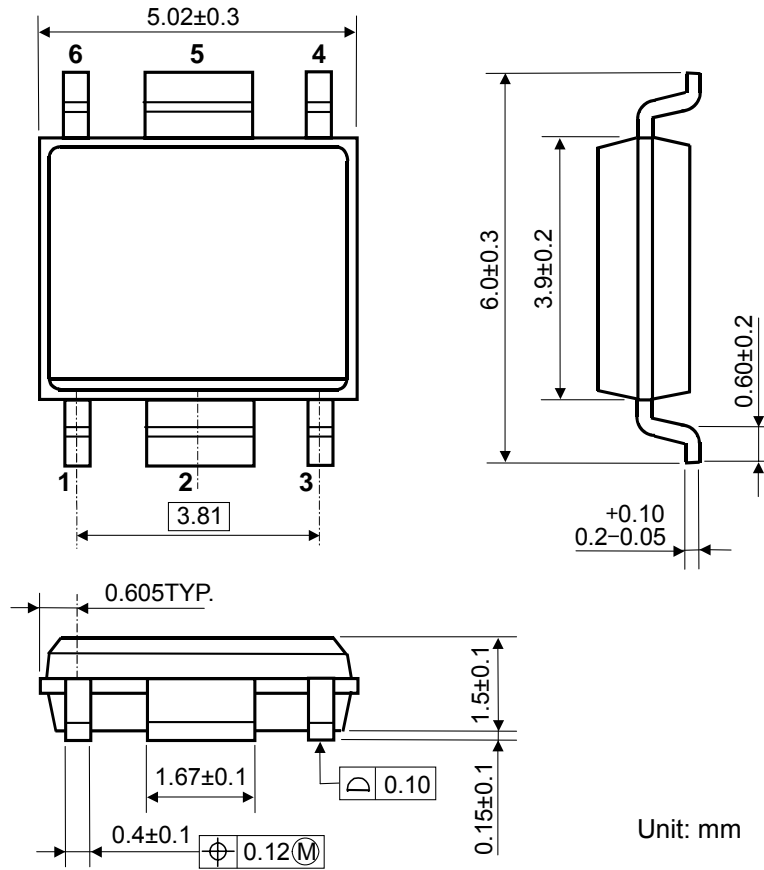
Operating the IC in the shaded area in the graph might have an influence its lifetime. Operating time must be within the time limit described in the table below, in case of operating in the shaded area.

Operating Time	Estimated years (Operating four hours/day)
13,000 hours	9 years

R1501x

NO.EA-184-160425

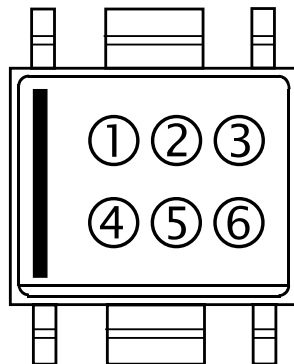
Package Dimensions (HSOP-6J)



Mark Specification (HSOP-6J)

①②③④ : Product Code ... **Refer to the R1501S Series Mark Specification Table.**

⑤⑥ : Lot Number ... Alphanumeric Serial Number



R1501S Series Mark Specification

(PKG: HSOP-6J)

Product Name	①	②	③	④	Product Name	①	②	③	④
R1501S030B	H	0	3	0	R1501S080B	H	0	8	0
R1501S031B	H	0	3	1	R1501S081B	H	0	8	1
R1501S032B	H	0	3	2	R1501S082B	H	0	8	2
R1501S033B	H	0	3	3	R1501S083B	H	0	8	3
R1501S034B	H	0	3	4	R1501S084B	H	0	8	4
R1501S035B	H	0	3	5	R1501S085B	H	0	8	5
R1501S036B	H	0	3	6	R1501S086B	H	0	8	6
R1501S037B	H	0	3	7	R1501S087B	H	0	8	7
R1501S038B	H	0	3	8	R1501S088B	H	0	8	8
R1501S039B	H	0	3	9	R1501S089B	H	0	8	9
R1501S040B	H	0	4	0	R1501S090B	H	0	9	0
R1501S041B	H	0	4	1	R1501S091B	H	0	9	1
R1501S042B	H	0	4	2	R1501S092B	H	0	9	2
R1501S043B	H	0	4	3	R1501S093B	H	0	9	3
R1501S044B	H	0	4	4	R1501S094B	H	0	9	4
R1501S045B	H	0	4	5	R1501S095B	H	0	9	5
R1501S046B	H	0	4	6	R1501S096B	H	0	9	6
R1501S047B	H	0	4	7	R1501S097B	H	0	9	7
R1501S048B	H	0	4	8	R1501S098B	H	0	9	8
R1501S049B	H	0	4	9	R1501S099B	H	0	9	9
R1501S050B	H	0	5	0	R1501S100B	H	1	0	0
R1501S051B	H	0	5	1	R1501S101B	H	1	0	1
R1501S052B	H	0	5	2	R1501S102B	H	1	0	2
R1501S053B	H	0	5	3	R1501S103B	H	1	0	3
R1501S054B	H	0	5	4	R1501S104B	H	1	0	4
R1501S055B	H	0	5	5	R1501S105B	H	1	0	5
R1501S056B	H	0	5	6	R1501S106B	H	1	0	6
R1501S057B	H	0	5	7	R1501S107B	H	1	0	7
R1501S058B	H	0	5	8	R1501S108B	H	1	0	8
R1501S059B	H	0	5	9	R1501S109B	H	1	0	9
R1501S060B	H	0	6	0	R1501S110B	H	1	1	0
R1501S061B	H	0	6	1	R1501S111B	H	1	1	1
R1501S062B	H	0	6	2	R1501S112B	H	1	1	2
R1501S063B	H	0	6	3	R1501S113B	H	1	1	3
R1501S064B	H	0	6	4	R1501S114B	H	1	1	4
R1501S065B	H	0	6	5	R1501S115B	H	1	1	5
R1501S066B	H	0	6	6	R1501S116B	H	1	1	6
R1501S067B	H	0	6	7	R1501S117B	H	1	1	7
R1501S068B	H	0	6	8	R1501S118B	H	1	1	8
R1501S069B	H	0	6	9	R1501S119B	H	1	1	9
R1501S070B	H	0	7	0	R1501S120B	H	1	2	0
R1501S071B	H	0	7	1	R1501S125B	H	1	2	5
R1501S072B	H	0	7	2	R1501S130B	H	1	3	0
R1501S073B	H	0	7	3	R1501S135B	H	1	3	5
R1501S074B	H	0	7	4	R1501S140B	H	1	4	0
R1501S075B	H	0	7	5	R1501S145B	H	1	4	5
R1501S076B	H	0	7	6	R1501S150B	H	1	5	0
R1501S077B	H	0	7	7	R1501S155B	H	1	5	5
R1501S078B	H	0	7	8	R1501S160B	H	1	6	0
R1501S079B	H	0	7	9	R1501S165B	H	1	6	5
					R1501S170B	H	1	7	0
					R1501S175B	H	1	7	5
					R1501S180B	H	1	8	0



1. The products and the product specifications described in this document are subject to change or discontinuation of production without notice for reasons such as improvement. Therefore, before deciding to use the products, please refer to Ricoh sales representatives for the latest information thereon.
2. The materials in this document may not be copied or otherwise reproduced in whole or in part without prior written consent of Ricoh.
3. Please be sure to take any necessary formalities under relevant laws or regulations before exporting or otherwise taking out of your country the products or the technical information described herein.
4. The technical information described in this document shows typical characteristics of and example application circuits for the products. The release of such information is not to be construed as a warranty of or a grant of license under Ricoh's or any third party's intellectual property rights or any other rights.
5. The products listed in this document are intended and designed for use as general electronic components in standard applications (office equipment, telecommunication equipment, measuring instruments, consumer electronic products, amusement equipment etc.). Those customers intending to use a product in an application requiring extreme quality and reliability, for example, in a highly specific application where the failure or misoperation of the product could result in human injury or death (aircraft, spacevehicle, nuclear reactor control system, traffic control system, automotive and transportation equipment, combustion equipment, safety devices, life support system etc.) should first contact us.
6. We are making our continuous effort to improve the quality and reliability of our products, but semiconductor products are likely to fail with certain probability. In order to prevent any injury to persons or damages to property resulting from such failure, customers should be careful enough to incorporate safety measures in their design, such as redundancy feature, fire containment feature and fail-safe feature. We do not assume any liability or responsibility for any loss or damage arising from misuse or inappropriate use of the products.
7. Anti-radiation design is not implemented in the products described in this document.
8. Please contact Ricoh sales representatives should you have any questions or comments concerning the products or the technical information.



Ricoh is committed to reducing the environmental loading materials in electrical devices with a view to contributing to the protection of human health and the environment.

Ricoh has been providing RoHS compliant products since April 1, 2006 and Halogen-free products since April 1, 2012.

RICOH RICOH ELECTRONIC DEVICES CO., LTD.

<http://www.e-devices.ricoh.co.jp/en/>

Sales & Support Offices

RICOH ELECTRONIC DEVICES CO., LTD.

Higashi-Shinagawa Office (International Sales)

3-32-3, Higashi-Shinagawa, Shinagawa-ku, Tokyo 140-8655, Japan
Phone: +81-3-5479-2857 Fax: +81-3-5479-0502

RICOH EUROPE (NETHERLANDS) B.V.

Semiconductor Support Centre

Prof. W.H. Keesomlaan 1, 1183 DJ Amstelveen, The Netherlands
Phone: +31-20-5474-309

RICOH INTERNATIONAL B.V. - German Branch

Semiconductor Sales and Support Centre

Oberrather Strasse 6, 40472 Düsseldorf, Germany
Phone: +49-211-6546-0

RICOH ELECTRONIC DEVICES KOREA CO., LTD.

3F, Haesung Bldg, 504, Teheran-ro, Gangnam-gu, Seoul, 135-725, Korea
Phone: +82-2-2135-5700 Fax: +82-2-2051-5713

RICOH ELECTRONIC DEVICES SHANGHAI CO., LTD.

Room 403, No.2 Building, No.690 Bibo Road, Pu Dong New District, Shanghai 201203,
People's Republic of China
Phone: +86-21-5027-3200 Fax: +86-21-5027-3299

RICOH ELECTRONIC DEVICES CO., LTD.

Taipei office

Room 109, 10F-1, No.51, Hengyang Rd., Taipei City, Taiwan (R.O.C.)
Phone: +886-2-2313-1621/1622 Fax: +886-2-2313-1623

Mouser Electronics

Authorized Distributor

Click to View Pricing, Inventory, Delivery & Lifecycle Information:

Ricoh Electronics:

[R1501S050B-E2-FE](#) [R1501J050B-T1-FE](#) [R1501J090B-T1-FE](#) [R1501S034B-E2-FE](#) [R1501S120B-E2-FE](#)
[R1501S060B-E2-FE](#) [R1501S150B-E2-FE](#) [R1501J100B-T1-FE](#) [R1501S033B-E2-FE](#) [R1501J033B-T1-FE](#)

Компания «Океан Электроники» предлагает заключение долгосрочных отношений при поставках импортных электронных компонентов на взаимовыгодных условиях!

Наши преимущества:

- Поставка оригинальных импортных электронных компонентов напрямую с производств Америки, Европы и Азии, а так же с крупнейших складов мира;
- Широкая линейка поставок активных и пассивных импортных электронных компонентов (более 30 млн. наименований);
- Поставка сложных, дефицитных, либо снятых с производства позиций;
- Оперативные сроки поставки под заказ (от 5 рабочих дней);
- Экспресс доставка в любую точку России;
- Помощь Конструкторского Отдела и консультации квалифицированных инженеров;
- Техническая поддержка проекта, помощь в подборе аналогов, поставка прототипов;
- Поставка электронных компонентов под контролем ВП;
- Система менеджмента качества сертифицирована по Международному стандарту ISO 9001;
- При необходимости вся продукция военного и аэрокосмического назначения проходит испытания и сертификацию в лаборатории (по согласованию с заказчиком);
- Поставка специализированных компонентов военного и аэрокосмического уровня качества (Xilinx, Altera, Analog Devices, Intersil, Interpoint, Microsemi, Actel, Aeroflex, Peregrine, VPT, Syfer, Eurofarad, Texas Instruments, MS Kennedy, Miteq, Cobham, E2V, MA-COM, Hittite, Mini-Circuits, General Dynamics и др.);

Компания «Океан Электроники» является официальным дистрибьютором и эксклюзивным представителем в России одного из крупнейших производителей разъемов военного и аэрокосмического назначения «JONHON», а так же официальным дистрибьютором и эксклюзивным представителем в России производителя высокотехнологичных и надежных решений для передачи СВЧ сигналов «FORSTAR».



JONHON

«JONHON» (основан в 1970 г.)

Разъемы специального, военного и аэрокосмического назначения:

(Применяются в военной, авиационной, аэрокосмической, морской, железнодорожной, горно- и нефтедобывающей отраслях промышленности)

«FORSTAR» (основан в 1998 г.)

ВЧ соединители, коаксиальные кабели, кабельные сборки и микроволновые компоненты:

(Применяются в телекоммуникациях гражданского и специального назначения, в средствах связи, РЛС, а так же военной, авиационной и аэрокосмической отраслях промышленности).



Телефон: 8 (812) 309-75-97 (многоканальный)

Факс: 8 (812) 320-03-32

Электронная почта: ocean@oceanchips.ru

Web: <http://oceanchips.ru/>

Адрес: 198099, г. Санкт-Петербург, ул. Калинина, д. 2, корп. 4, лит. А