

3M™ HIGH ROUTABILITY INTERNAL SATA CABLE ASSEMBLY

| REVISION RECORD | | |
|-----------------|----------------------------|----------|
| REV. | ECR/ECN/ECO NUMBER | DATE |
| A | ECO-0037492 | 05/09/11 |
| B | ECO-0042030 | 13/07/12 |
| C | ECO-0043801, CABLE P/N CHG | 31/12/12 |



- NOTES :
- Regulatory Information.
RoHs compliant, See the regulatory information appendix(RIA) in the "RoHs compliance" section of WWW.3Mconnectors.com compliance information (RIA E1 & C1 apply)
 - For custom cable length, contact 3M sales rep.
 - Cable part number : SL8803/04-10DN5-00
 - Product Specification: PS-0117.
 - This cable construction has a thin aluminum layer at each edge. User should evaluate its use in their application and, if necessary, insulating tape may be applied to cover the aluminum layer, as User deems appropriate
 - PVC overmoulding and PE Inner moulding at both ends.
 - Product meets SATA 3.0 signal integrity specifications.

PART NUMBER SELECTION

5602-11-0142A-XXX
Length in mm,000 refers to 1000mm.

| 3M PART NO. | L(MM) |
|-------------------|-------|
| 5602-11-0142A-100 | 100 |
| 5602-11-0142A-200 | 200 |
| 5602-11-0142A-300 | 300 |
| 5602-11-0142A-400 | 400 |
| 5602-11-0142A-500 | 500 |
| 5602-11-0142A-600 | 600 |
| 5602-11-0142A-700 | 700 |
| 5602-11-0142A-800 | 800 |
| 5602-11-0142A-900 | 900 |
| 5602-11-0142A-000 | 1000 |

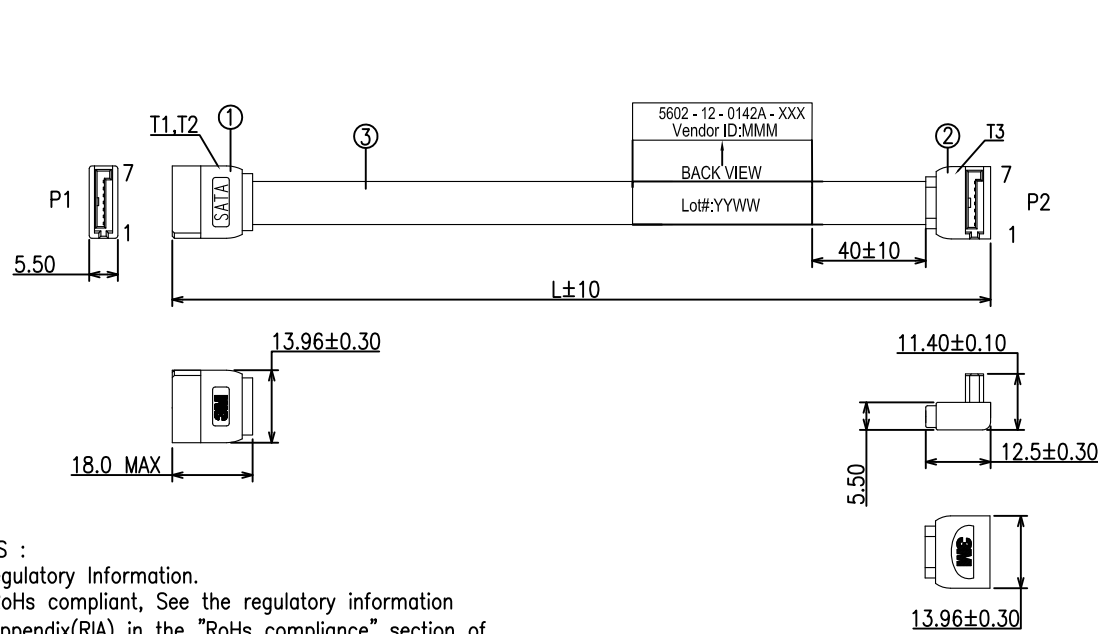
| PIN OUT | | | | |
|---------|------|------|----|--|
| P1 | TYPE | TYPE | P2 | |
| 1 | G | G | 1 | |
| 2 | A+ | A+ | 2 | |
| 3 | A- | A- | 3 | |
| 4 | G | G | 4 | |
| 5 | B- | B- | 5 | |
| 6 | B+ | B+ | 6 | |
| 7 | G | G | 7 | |

| ITEM | SPECIFICATION | Q'TY | UNIT |
|------|--|------|------|
| 3 | CABLE : RIBBON TWIN AX , SL8803/04, UL AWM 21008,150V,80C SIGNAL -SILVER PLATED COPPER WITH 30 AWG. | 1 | PC |
| 2 | SATA CONN : 7P FEMALE 90° BLACK PBT30% 15*AU | 1 | PC |
| 1 | SATA CONN : 7P FEMALE 90° BLACK PBT30% 15*AU | 1 | PC |

| | | | | | | |
|--|---|---------------|---|----------------------------|--|------------|
| UNIT: MM | DFTG RAD VITTAPALLI | DATE 13/07/12 | 3M APAC INNOVATION CENTRE | DIVISION | ESD | STATUS |
| GEN. TOLERANCES | CHKD RAD VITTAPALLI | DATE 13/07/12 | | MODEL | | RELEASE |
| LINEAR .0 = ± 0.25 .00 = ± 0.15 .000 = ± 0.05 | APPVL ALAN ANG | DATE 13/07/12 | TITLE SATA 7 PIN RIBBON TWINAX CABLE ASSEMBLY RIGHT ANGLE TO RIGHT ANGLE W/O LATCH | | | |
| ANGLE ±1° | THIS DOCUMENT CONTAINS INFORMATION WHICH IS PROPRIETARY TO 3M COMPANY. NO REPRODUCTION OR PUBLICATION OF THIS DOCUMENT, IN WHOLE OR IN PART, SHALL BE MADE WITHOUT AUTHORIZATION FROM 3M. © 3M 2013. ALL RIGHTS RESERVED. | | SIZE A3 | DRAWING NO. 78-5100-4897-8 | REV C | |
| PROJECTION | INTERPRET PER ASME Y14.5M-1994 | SCALE : NTS | | DET LIST | <input type="checkbox"/> YES <input type="checkbox"/> NO | SHT 1 of 7 |
| CRITICAL DIMENSION: ▲ | | | | | | |

3M™ HIGH ROUTABILITY INTERNAL SATA CABLE ASSEMBLY

| REVISION RECORD | | |
|---------------------|--------------------|------|
| REV. | ECR/ECN/ECO NUMBER | DATE |
| REFER TO SHT 1 OF 7 | | |



NOTES :

- Regulatory Information.
RoHs compliant, See the regulatory information appendix(RIA) in the "RoHs compliance" section of WWW.3Mconnectors.com compliance information (RIA E1 & C1 apply)
- For custom cable length, contact 3M sales rep.
- Cable Part number: SL8803/04-10DN5-00
- Product Specification: PS-0117.
- This cable construction has a thin aluminum layer at each edge.
User should evaluate its use in their application and, if necessary, insulating tape may be applied to cover the aluminum layer, as User deems appropriate
- PVC overmoulding and PE Inner moulding at both ends.
- Product meets SATA 3.0 signal integrity specifications.

PART NUMBER SELECTION

5602-12-0142A-XXX
Length in mm,000 refers to 1000mm.

| 3M PART NO. | L(MM) |
|-------------------|-------|
| 5602-12-0142A-100 | 100 |
| 5602-12-0142A-200 | 200 |
| 5602-12-0142A-300 | 300 |
| 5602-12-0142A-400 | 400 |
| 5602-12-0142A-500 | 500 |
| 5602-12-0142A-600 | 600 |
| 5602-12-0142A-700 | 700 |
| 5602-12-0142A-800 | 800 |
| 5602-12-0142A-900 | 900 |
| 5602-12-0142A-000 | 1000 |

| PIN OUT | | | |
|---------|------|------|----|
| P1 | TYPE | TYPE | P2 |
| 1 | G | G | 1 |
| 2 | A+ | A+ | 2 |
| 3 | A- | A- | 3 |
| 4 | G | G | 4 |
| 5 | B- | B- | 5 |
| 6 | B+ | B+ | 6 |
| 7 | G | G | 7 |

| ITEM | SPECIFICATION | Q'TY | UNIT |
|------|---|------|------|
| 3 | CABLE : RIBBON TWIN AX , SL8803/04, UL AWM 21008,150V,80C SIGNAL -SILVER PLATED COPPER CONDUCTOR 30 AWG. | 1 | PC |
| 2 | SATA CONN : 7P FEMALE 90° BLACK PBT 30%GF 15*AU | 1 | PC |
| 1 | SATA CONN : 7P FEMALE 180° BLACK PBT 30%GF 15*AU | 1 | PC |

| | | | | | | |
|--|---|---------------|---|----------------------------|--|------------|
| UNIT: MM | DFTG RAD VITTAPALLI | DATE 13/07/12 | 3M APAC INNOVATION CENTRE | DIVISION | ESD | STATUS |
| GEN. TOLERANCES | CHKD RAD VITTAPALLI | DATE 13/07/12 | | MODEL | | RELEASE |
| LINEAR .0 = ± 0.25 .00 = ± 0.15 .000 = ± 0.05 | APPV L ALAN ANG | DATE 13/07/12 | TITLE SATA 7 PIN RIBBON TWINAX CABLE ASSEMBLY STRAIGHT TO RIGHT ANGLE W/O LATCH | | | |
| ANGLE ±1° | THIS DOCUMENT CONTAINS INFORMATION WHICH IS PROPRIETARY TO 3M COMPANY. NO REPRODUCTION OR PUBLICATION OF THIS DOCUMENT, IN WHOLE OR IN PART, SHALL BE MADE WITHOUT AUTHORIZATION FROM 3M. © 3M 2013. ALL RIGHTS RESERVED. | | SIZE A3 | DRAWING NO. 78-5100-4897-8 | REV C | |
| PROJECTION | INTERPRET PER ASME Y14.5M-1994 | SCALE : NTS | | DET LIST | <input type="checkbox"/> YES <input type="checkbox"/> NO | SHT 2 of 7 |
| | CRITICAL DIMENSION: ▲ | | | | | |

3M™ HIGH ROUTABILITY INTERNAL SATA CABLE ASSEMBLY

| REVISION RECORD | | |
|---------------------|--------------------|------|
| REV. | ECR/ECN/ECO NUMBER | DATE |
| REFER TO SHT 1 OF 7 | | |



NOTES :

- Regulatory Information.
RoHs compliant, See the regulatory information appendix(RIA) in the "RoHs compliance" section of WWW.3Mconnectors.com compliance information (RIA E1 & C1 apply)
- For custom cable length, contact 3M sales rep.
- Cable Part number : SL8803/04-10DN5-00
- Product Specification: PS-0117.
- This cable construction has a thin aluminum layer at each edge.
User should evaluate its use in their application and, if necessary, insulating tape may be applied to cover the aluminum layer, as User deems appropriate
- PVC overmoulding and PE Inner moulding at both ends.
- Product meets SATA 3.0 signal integrity specifications.

PART NUMBER SELECTION

5602-21-0142A-XXX
Length in mm,000 refers to 1000mm.

| 3M PART NO. | L(MM) |
|-------------------|-------|
| 5602-21-0142A-100 | 100 |
| 5602-21-0142A-200 | 200 |
| 5602-21-0142A-300 | 300 |
| 5602-21-0142A-400 | 400 |
| 5602-21-0142A-500 | 500 |
| 5602-21-0142A-600 | 600 |
| 5602-21-0142A-700 | 700 |
| 5602-21-0142A-800 | 800 |
| 5602-21-0142A-900 | 900 |
| 5602-21-0142A-000 | 1000 |

PIN OUT

| P1 | TYPE | TYPE | P2 |
|----|------|------|----|
| 1 | G | G | 1 |
| 2 | A+ | A+ | 2 |
| 3 | A- | A- | 3 |
| 4 | G | G | 4 |
| 5 | B- | B- | 5 |
| 6 | B+ | B+ | 6 |
| 7 | G | G | 7 |

| ITEM | SPECIFICATION | Q'TY | UNIT |
|------|---|------|------|
| 3 | CABLE : RIBBON TWIN AX , SL8803/04, UL AWM 21008,150V,80C SIGNAL -SILVER PLATED COPPER CONDUCTOR 30 AWG. | 1 | PC |
| 2 | SATA CONN : 7P FEMALE 90° BLACK PBT 30%GF 15*AU | 1 | PC |
| 1 | SATA CONN : 7P FEMALE 180° BLACK PBT 30%GF 15*AU | 1 | PC |

| | | | | | | |
|--|---|---------------|--|-------------|--|------------|
| UNIT: MM | DFTG RAD VITTAPALLI | DATE 13/07/12 | 3M APAC INNOVATION CENTRE | DIVISION | ESD | STATUS |
| GEN. TOLERANCES | CHKD RAD VITTAPALLI | DATE 13/07/12 | | MODEL | | RELEASE |
| LINEAR .0 = ± 0.25 .00 = ± 0.15 .000 = ± 0.05 | APPVL ALAN ANG | DATE 13/07/12 | TITLE SATA 7 PIN RIBBON TWINAX CABLE ASSEMBLY STRAIGHT TO RIGHT ANGLE W/O LATCH | | | |
| ANGLE ±1° | THIS DOCUMENT CONTAINS INFORMATION WHICH IS PROPRIETARY TO 3M COMPANY. NO REPRODUCTION OR PUBLICATION OF THIS DOCUMENT, IN WHOLE OR IN PART, SHALL BE MADE WITHOUT AUTHORIZATION FROM 3M. © 3M 2013. ALL RIGHTS RESERVED. | | SIZE A3 | DRAWING NO. | 78-5100-4897-8 | REV C |
| PROJECTION | INTERPRET PER ASME Y14.5M-1994 | SCALE : NTS | | DET LIST | <input type="checkbox"/> YES <input type="checkbox"/> NO | SHT 3 of 7 |
| CRITICAL DIMENSION: ▲ | | | | | | |

3M™ HIGH ROUTABILITY INTERNAL SATA CABLE ASSEMBLY

| REVISION RECORD | | |
|---------------------|--------------------|------|
| REV. | ECR/ECN/ECO NUMBER | DATE |
| REFER TO SHT 1 OF 7 | | |



NOTES :

- Regulatory Information.
RoHs compliant, See the regulatory information appendix(RIA) in the "RoHs compliance" section of WWW.3Mconnectors.com compliance information (RIA E1 & C1 apply)
- For custom cable length, contact 3M sales rep.
- Cable Part number: SL8803/04-10DN5-00
- Product Specification: PS-0117.
- This cable construction has a thin aluminum layer at each edge. User should evaluate its use in their application and, if necessary, insulating tape may be applied to cover the aluminum layer, as User deems appropriate
- PVC overmoulding and PE Inner moulding at both ends.
- Product meets SATA 3.0 signal integrity specifications.

PART NUMBER SELECTION

5602-22-0142A-XXX
Length in mm,000 refers to 1000mm.

| 3M PART NO. | L(MM) |
|-------------------|-------|
| 5602-22-0142A-100 | 100 |
| 5602-22-0142A-200 | 200 |
| 5602-22-0142A-300 | 300 |
| 5602-22-0142A-400 | 400 |
| 5602-22-0142A-500 | 500 |
| 5602-22-0142A-600 | 600 |
| 5602-22-0142A-700 | 700 |
| 5602-22-0142A-800 | 800 |
| 5602-22-0142A-900 | 900 |
| 5602-22-0142A-000 | 1000 |

| PIN OUT | | | |
|---------|------|------|----|
| P1 | TYPE | TYPE | P2 |
| 1 | G | G | 1 |
| 2 | A+ | A+ | 2 |
| 3 | A- | A- | 3 |
| 4 | G | G | 4 |
| 5 | B- | B- | 5 |
| 6 | B+ | B+ | 6 |
| 7 | G | G | 7 |

| ITEM | SPECIFICATION | Q'TY | UNIT |
|------|---|------|------|
| 2 | CABLE : RIBBON TWIN AX , SL8803/04, UL AWM 21008,150V,80C | 1 | PC |
| | SIGNAL -SILVER PLATED COPPER CONDUCTOR WITH 30 AWG. | | |
| 1 | SATA CONN : 7P FEMALE 180° BLACK PBT 30GF , 15°AU | 2 | PCS |

| | | | | | | |
|--|---|---------------|--|----------------------------|--|------------|
| UNIT: MM | DFTG RAD VITTAPALLI | DATE 13/07/12 | 3M APAC INNOVATION CENTRE | DIVISION | ESD | STATUS |
| GEN. TOLERANCES | CHKD RAD VITTAPALLI | DATE 13/07/12 | | MODEL | | RELEASE |
| LINEAR .0 = ± 0.25 .00 = ± 0.15 .000 = ± 0.05 | APPVL ALAN ANG | DATE 13/07/12 | TITLE SATA 7 PIN RIBBON TWINAX CABLE ASSEMBLY STRAIGHT TO STRAIGHT W/O LATCH | | | |
| ANGLE ±1° | THIS DOCUMENT CONTAINS INFORMATION WHICH IS PROPRIETARY TO 3M COMPANY. NO REPRODUCTION OR PUBLICATION OF THIS DOCUMENT, IN WHOLE OR IN PART, SHALL BE MADE WITHOUT AUTHORIZATION FROM 3M. © 3M 2013. ALL RIGHTS RESERVED. | | SIZE A3 | DRAWING NO. 78-5100-4897-8 | REV C | |
| PROJECTION | INTERPRET PER ASME Y14.5M-1994 | | SCALE : NTS | DET LIST | <input type="checkbox"/> YES <input type="checkbox"/> NO | SHT 4 of 7 |
| | CRITICAL DIMENSION: ▲ | | | | | |

3M™ HIGH ROUTABILITY INTERNAL SATA CABLE ASSEMBLY

| REVISION RECORD | | |
|----------------------|--------------------|------|
| REV. | ECR/ECN/ECO NUMBER | DATE |
| REFER TO SHIT 1 OF 7 | | |



NOTES :

- Regulatory Information.
RoHs compliant, See the regulatory information appendix(RIA) in the "RoHs compliance" section of WWW.3Mconnectors.com compliance information (RIA E1 & C1 apply)
- For custom cable length, contact 3M sales rep.
- Cable part number: SL8803/04-10DN5-00
- Product Specification: PS-0117.
- This cable construction has a thin aluminum layer at each edge. User should evaluate its use in their application and, if necessary, insulating tape may be applied to cover the aluminum layer, as User deems appropriate
- PVC overmoulding and PE Inner moulding at both ends.
- Product meets SATA 3.0 signal integrity specifications.

PART NUMBER SELECTION

5602-33-0142A-XXX
Length in mm,000 refers to 1000mm.

| 3M PART NO. | L(MM) |
|-------------------|-------|
| 5602-33-0142A-100 | 100 |
| 5602-33-0142A-200 | 200 |
| 5602-33-0142A-300 | 300 |
| 5602-33-0142A-400 | 400 |
| 5602-33-0142A-500 | 500 |
| 5602-33-0142A-600 | 600 |
| 5602-33-0142A-700 | 700 |
| 5602-33-0142A-800 | 800 |
| 5602-33-0142A-900 | 900 |
| 5602-33-0142A-000 | 1000 |

PIN OUT

| P1 | TYPE | TYPE | P2 |
|----|------|------|----|
| 1 | G | G | 1 |
| 2 | A+ | A+ | 2 |
| 3 | A- | A- | 3 |
| 4 | G | G | 4 |
| 5 | B- | B- | 5 |
| 6 | B+ | B+ | 6 |
| 7 | G | G | 7 |

| ITEM | SPECIFICATION | Q'TY | UNIT |
|------|---|------|------|
| 3 | CABLE : RIBBON TWIN AX , SL8803/04, UL AWM 21008,150V,80C SIGNAL -SILVER PLATED COPPER WITH 30 AWG. | 1 | PC |
| 2 | SATA CONN : 7P FEMALE 90° BLACK PBT30% 15*AU WITH LATCH | 1 | PC |
| 1 | SATA CONN : 7P FEMALE 90° BLACK PBT30% 15*AU WITH LATCH | 1 | PC |

| | | | | | |
|--|---|---------------|---|---|----------------|
| UNIT: MM | DFTG RAD VITTAPALLI | DATE 13/07/12 | 3M APAC INNOVATION CENTRE | DIVISION ESD | STATUS RELEASE |
| GEN. TOLERANCES | CHKD RAD VITTAPALLI | DATE 13/07/12 | | MODEL | |
| LINEAR .0 = ± 0.25 .00 = ± 0.15 .000 = ± 0.05 | APPVL ALAN ANG | DATE 13/07/12 | TITLE SATA 7 PIN RIBBON TWINAX CABLE ASSEMBLY RIGHT ANGLE TO RIGHT ANGLE WITH LATCH | | |
| ANGLE ±1° | THIS DOCUMENT CONTAINS INFORMATION WHICH IS PROPRIETARY TO 3M COMPANY. NO REPRODUCTION OR PUBLICATION OF THIS DOCUMENT, IN WHOLE OR IN PART, SHALL BE MADE WITHOUT AUTHORIZATION FROM 3M. © 3M 2013. ALL RIGHTS RESERVED. | | SIZE A3 | DRAWING NO. 78-5100-4897-8 | REV C |
| PROJECTION | INTERPRET PER ASME Y14.5M-1994 | SCALE : NTS | | DET LIST <input type="checkbox"/> YES <input type="checkbox"/> NO | SHT 5 of 7 |
| | CRITICAL DIMENSION: ▲ | | | | |

WWW.3Mconnectors.com

3M™ HIGH ROUTABILITY INTERNAL SATA CABLE ASSEMBLY

| REVISION RECORD | | |
|---------------------|--------------------|------|
| REV. | ECR/ECN/ECO NUMBER | DATE |
| REFER TO SHT 1 OF 7 | | |



NOTES :

- Regulatory Information.
RoHs compliant, See the regulatory information appendix(RIA) in the "RoHs compliance" section of WWW.3Mconnectors.com compliance information (RIA E1 & C1 apply)
- For custom cable length, contact 3M sales rep.
- Cable Part number: SL8803/04-10DN5-00
- Product Specification: PS-0117.
- This cable construction has a thin aluminum layer at each edge.
User should evaluate its use in their application and, if necessary, insulating tape may be applied to cover the aluminum layer, as User deems appropriate
- PVC overmoulding and PE Inner moulding at both ends.
- Product meets SATA 3.0 signal integrity specifications.

PART NUMBER SELECTION

5602-34-0142A-XXX
Length in mm,000 refers to 1000mm.

| 3M PART NO. | L(MM) |
|-------------------|-------|
| 5602-34-0142A-100 | 100 |
| 5602-34-0142A-200 | 200 |
| 5602-34-0142A-300 | 300 |
| 5602-34-0142A-400 | 400 |
| 5602-34-0142A-500 | 500 |
| 5602-34-0142A-600 | 600 |
| 5602-34-0142A-700 | 700 |
| 5602-34-0142A-800 | 800 |
| 5602-34-0142A-900 | 900 |
| 5602-34-0142A-000 | 1000 |

| PIN OUT | | | |
|---------|------|------|----|
| P1 | TYPE | TYPE | P2 |
| 1 | G | G | 1 |
| 2 | A+ | A+ | 2 |
| 3 | A- | A- | 3 |
| 4 | G | G | 4 |
| 5 | B- | B- | 5 |
| 6 | B+ | B+ | 6 |
| 7 | G | G | 7 |

| ITEM | SPECIFICATION | Q'TY | UNIT |
|------|---|------|------|
| 3 | CABLE : RIBBON TWIN AX , SL8803/04, UL AWM 21008,150V,80C SIGNAL -SILVER PLATED COPPER CONDUCTOR 30 AWG. | 1 | PC |
| 2 | SATA CONN : 7P FEMALE 90° BLACK PBT 30%GF 15*AU WITH LATCH | 1 | PC |
| 1 | SATA CONN : 7P FEMALE 180° BLACK PBT 30%GF 15*AU WITH LATCH | 1 | PC |

| | | | | | | |
|--|---|---------------|--|----------------------------|--|------------|
| UNIT: MM | DFTG RAD VITTAPALLI | DATE 13/07/12 | 3M APAC INNOVATION CENTRE | DIVISION | ESD | STATUS |
| GEN. TOLERANCES | CHKD RAD VITTAPALLI | DATE 13/07/12 | | MODEL | | RELEASE |
| LINEAR .0 = ± 0.25 .00 = ± 0.15 .000 = ± 0.05 | APPVL ALAN ANG | DATE 13/07/12 | TITLE SATA 7 PIN RIBBON TWINAX CABLE ASSEMBLY STRAIGHT TO RIGHT ANGLE WITH LATCH | | | |
| ANGLE ±1° | THIS DOCUMENT CONTAINS INFORMATION WHICH IS PROPRIETARY TO 3M COMPANY. NO REPRODUCTION OR PUBLICATION OF THIS DOCUMENT, IN WHOLE OR IN PART, SHALL BE MADE WITHOUT AUTHORIZATION FROM 3M. © 3M 2013. ALL RIGHTS RESERVED. | | SIZE A3 | DRAWING NO. 78-5100-4897-8 | REV C | |
| PROJECTION | INTERPRET PER ASME Y14.5M-1994 | SCALE : NTS | | DET LIST | <input type="checkbox"/> YES <input type="checkbox"/> NO | SHT 6 of 7 |
| CRITICAL DIMENSION: ▲ | | | | | | |

WWW.3Mconnectors.com

3M™ HIGH ROUTABILITY INTERNAL SATA CABLE ASSEMBLY

| REVISION RECORD | | |
|---------------------|--------------------|------|
| REV. | ECR/ECN/ECO NUMBER | DATE |
| REFER TO SHT 1 OF 7 | | |



NOTES :

- Regulatory Information.
RoHs compliant, See the regulatory information appendix(RIA) in the "RoHs compliance" section of WWW.3Mconnectors.com compliance information (RIA E1 & C1 apply)
- For custom cable length, contact 3M sales rep.
- Cable Part number: SL8803/04-10DN5-00
- Product Specification: PS-0117.
- This cable construction has a thin aluminum layer at each edge. User should evaluate its use in their application and, if necessary, insulating tape may be applied to cover the aluminum layer, as User deems appropriate
- PVC overmoulding and PE Inner moulding at both ends.
- Product meets SATA 3.0 signal integrity specifications.

PART NUMBER SELECTION

5602-44-0142A-XXX
Length in mm,000 refers to 1000mm.

| 3M PART NO. | L(MM) |
|-------------------|-------|
| 5602-44-0142A-100 | 100 |
| 5602-44-0142A-200 | 200 |
| 5602-44-0142A-300 | 300 |
| 5602-44-0142A-400 | 400 |
| 5602-44-0142A-500 | 500 |
| 5602-44-0142A-600 | 600 |
| 5602-44-0142A-700 | 700 |
| 5602-44-0142A-800 | 800 |
| 5602-44-0142A-900 | 900 |
| 5602-44-0142A-000 | 1000 |

| PIN OUT | | | |
|---------|------|------|----|
| P1 | TYPE | TYPE | P2 |
| 1 | G | G | 1 |
| 2 | A+ | A+ | 2 |
| 3 | A- | A- | 3 |
| 4 | G | G | 4 |
| 5 | B- | B- | 5 |
| 6 | B+ | B+ | 6 |
| 7 | G | G | 7 |

| ITEM | SPECIFICATION | Q'TY | UNIT |
|------|--|------|------|
| 2 | CABLE : RIBBON TWIN AX , SL8803/04, UL AWM 21008,150V,80C | 1 | PC |
| | SIGNAL -SILVER PLATED COPPER CONDUCTOR WITH 30 AWG. | | |
| 1 | SATA CONN : 7P FEMALE 180° BLACK PBT 30GF , 15°AU WITH LATCH | 2 | PCS |

| | | | | | |
|--|---|---------------|---------|---|------------|
| UNIT: MM | DFTG RAD VITTAPALLI | DATE 13/07/12 | | DIVISION ESD | STATUS |
| GEN. TOLERANCES | CHKD RAD VITTAPALLI | DATE 13/07/12 | | MODEL | RELEASE |
| LINEAR .0 = ± 0.25 .00 = ± 0.15 .000 = ± 0.05 | APPVL ALAN ANG | DATE 13/07/12 | | TITLE SATA 7 PIN RIBBON TWINAX CABLE ASSEMBLY STRAIGHT TO STRAIGHT WITH LATCH | |
| ANGLE ±1° | THIS DOCUMENT CONTAINS INFORMATION WHICH IS PROPRIETARY TO 3M COMPANY. NO REPRODUCTION OR PUBLICATION OF THIS DOCUMENT, IN WHOLE OR IN PART, SHALL BE MADE WITHOUT AUTHORIZATION FROM 3M. © 3M 2013. ALL RIGHTS RESERVED. | | SIZE A3 | DRAWING NO. 78-5100-4897-8 | REV C |
| PROJECTION | INTERPRET PER ASME Y14.5M-1994 | SCALE : NTS | | DET LIST <input type="checkbox"/> YES <input type="checkbox"/> NO | SHT 7 of 7 |

WWW.3Mconnectors.com

Компания «Океан Электроники» предлагает заключение долгосрочных отношений при поставках импортных электронных компонентов на взаимовыгодных условиях!

Наши преимущества:

- Поставка оригинальных импортных электронных компонентов напрямую с производств Америки, Европы и Азии, а так же с крупнейших складов мира;
- Широкая линейка поставок активных и пассивных импортных электронных компонентов (более 30 млн. наименований);
- Поставка сложных, дефицитных, либо снятых с производства позиций;
- Оперативные сроки поставки под заказ (от 5 рабочих дней);
- Экспресс доставка в любую точку России;
- Помощь Конструкторского Отдела и консультации квалифицированных инженеров;
- Техническая поддержка проекта, помощь в подборе аналогов, поставка прототипов;
- Поставка электронных компонентов под контролем ВП;
- Система менеджмента качества сертифицирована по Международному стандарту ISO 9001;
- При необходимости вся продукция военного и аэрокосмического назначения проходит испытания и сертификацию в лаборатории (по согласованию с заказчиком);
- Поставка специализированных компонентов военного и аэрокосмического уровня качества (Xilinx, Altera, Analog Devices, Intersil, Interpoint, Microsemi, Actel, Aeroflex, Peregrine, VPT, Syfer, Eurofarad, Texas Instruments, MS Kennedy, Miteq, Cobham, E2V, MA-COM, Hittite, Mini-Circuits, General Dynamics и др.);

Компания «Океан Электроники» является официальным дистрибьютором и эксклюзивным представителем в России одного из крупнейших производителей разъемов военного и аэрокосмического назначения «JONHON», а так же официальным дистрибьютором и эксклюзивным представителем в России производителя высокотехнологичных и надежных решений для передачи СВЧ сигналов «FORSTAR».



JONHON

«JONHON» (основан в 1970 г.)

Разъемы специального, военного и аэрокосмического назначения:

(Применяются в военной, авиационной, аэрокосмической, морской, железнодорожной, горно- и нефтедобывающей отраслях промышленности)

«FORSTAR» (основан в 1998 г.)

ВЧ соединители, коаксиальные кабели, кабельные сборки и микроволновые компоненты:

(Применяются в телекоммуникациях гражданского и специального назначения, в средствах связи, РЛС, а так же военной, авиационной и аэрокосмической отраслях промышленности).



Телефон: 8 (812) 309-75-97 (многоканальный)

Факс: 8 (812) 320-03-32

Электронная почта: ocean@oceanchips.ru

Web: <http://oceanchips.ru/>

Адрес: 198099, г. Санкт-Петербург, ул. Калинина, д. 2, корп. 4, лит. А