



MICROCHIP

MCP1630
SEPIC Automotive LED Driver
Reference Design

Note the following details of the code protection feature on Microchip devices:

- Microchip products meet the specification contained in their particular Microchip Data Sheet.
- Microchip believes that its family of products is one of the most secure families of its kind on the market today, when used in the intended manner and under normal conditions.
- There are dishonest and possibly illegal methods used to breach the code protection feature. All of these methods, to our knowledge, require using the Microchip products in a manner outside the operating specifications contained in Microchip's Data Sheets. Most likely, the person doing so is engaged in theft of intellectual property.
- Microchip is willing to work with the customer who is concerned about the integrity of their code.
- Neither Microchip nor any other semiconductor manufacturer can guarantee the security of their code. Code protection does not mean that we are guaranteeing the product as "unbreakable."

Code protection is constantly evolving. We at Microchip are committed to continuously improving the code protection features of our products. Attempts to break Microchip's code protection feature may be a violation of the Digital Millennium Copyright Act. If such acts allow unauthorized access to your software or other copyrighted work, you may have a right to sue for relief under that Act.

Information contained in this publication regarding device applications and the like is provided only for your convenience and may be superseded by updates. It is your responsibility to ensure that your application meets with your specifications. MICROCHIP MAKES NO REPRESENTATIONS OR WARRANTIES OF ANY KIND WHETHER EXPRESS OR IMPLIED, WRITTEN OR ORAL, STATUTORY OR OTHERWISE, RELATED TO THE INFORMATION, INCLUDING BUT NOT LIMITED TO ITS CONDITION, QUALITY, PERFORMANCE, MERCHANTABILITY OR FITNESS FOR PURPOSE. Microchip disclaims all liability arising from this information and its use. Use of Microchip devices in life support and/or safety applications is entirely at the buyer's risk, and the buyer agrees to defend, indemnify and hold harmless Microchip from any and all damages, claims, suits, or expenses resulting from such use. No licenses are conveyed, implicitly or otherwise, under any Microchip intellectual property rights.

Trademarks

The Microchip name and logo, the Microchip logo, dsPIC, KEELOQ, KEELOQ logo, MPLAB, PIC, PICmicro, PICSTART, PIC³² logo, rPIC and UNI/O are registered trademarks of Microchip Technology Incorporated in the U.S.A. and other countries.


FilterLab, Hampshire, HI-TECH C, Linear Active Thermistor, MXDEV, MXLAB, SEEVAL and The Embedded Control Solutions Company are registered trademarks of Microchip Technology Incorporated in the U.S.A.

Analog-for-the-Digital Age, Application Maestro, chipKIT, chipKIT logo, CodeGuard, dsPICDEM, dsPICDEM.net, dsPICworks, dsSPEAK, ECAN, ECONOMONITOR, FanSense, HI-TIDE, In-Circuit Serial Programming, ICSP, Mindi, MiWi, MPASM, MPLAB Certified logo, MPLIB, MPLINK, mTouch, Omniscient Code Generation, PICC, PICC-18, PICDEM, PICDEM.net, PICkit, PICtail, REAL ICE, rLAB, Select Mode, Total Endurance, TSHARC, UniWinDriver, WiperLock and ZENA are trademarks of Microchip Technology Incorporated in the U.S.A. and other countries.

SQTP is a service mark of Microchip Technology Incorporated in the U.S.A.

All other trademarks mentioned herein are property of their respective companies.

© 2011, Microchip Technology Incorporated, Printed in the U.S.A., All Rights Reserved.

 Printed on recycled paper.

ISBN: 978-1-61341-606-8

QUALITY MANAGEMENT SYSTEM
CERTIFIED BY DNV
== ISO/TS 16949:2009 ==

Microchip received ISO/TS-16949:2009 certification for its worldwide headquarters, design and wafer fabrication facilities in Chandler and Tempe, Arizona; Gresham, Oregon and design centers in California and India. The Company's quality system processes and procedures are for its PIC[®] MCUs and dsPIC[®] DSCs, KEELOQ[®] code hopping devices, Serial EEPROMs, microperipherals, nonvolatile memory and analog products. In addition, Microchip's quality system for the design and manufacture of development systems is ISO 9001:2000 certified.



MCP1630 SEPIC AUTOMOTIVE LED DRIVER REFERENCE DESIGN

Table of Contents

Preface	5
Introduction.....	5
Document Layout	5
Conventions Used in this Guide	6
Recommended Reading.....	7
The Microchip Web Site	7
Customer Support	7
Document Revision History.....	8
Chapter 1. Product Overview	
1.1 Introduction	9
1.2 Features	10
1.3 Device Summary	10
1.4 Technical Specifications	11
1.5 Functional Description	12
1.6 What the MCP1630 SEPIC Automotive LED Driver Reference Design Kit Includes	12
Chapter 2. Installation and Operation	
2.1 Getting Started	13
2.2 Setup Procedure	13
2.3 Evaluating the Application	15
2.4 Firmware Description	15
2.5 Programming the PIC12F683 Microcontroller	16
Appendix A. Schematic and Layouts	
A.1 Introduction	17
A.2 Board – Schematic	18
A.3 Board – Top Copper and Pads	19
A.4 Board – Top Copper Pads and Silk	20
A.5 Board – Top Silk and Pads	21
A.6 Board – Bottom Copper and Pads	22
Appendix B. Bill of Materials (BOM)	
Appendix C. Firmware Flowchart	
C.1 MCP1630 SEPIC Automotive LED Driver Reference Design Firmware Flowchart	25
Appendix D. Test Points and Waveforms	
D.1 Test Points Description	27
D.2 Waveforms Examples	28
Worldwide Sales and Service	34

MCP1630 Sepic Automotive LED Driver Reference Design



MCP1630 SEPIC AUTOMOTIVE LED DRIVER REFERENCE DESIGN

Preface

NOTICE TO CUSTOMERS

All documentation becomes dated, and this manual is no exception. Microchip tools and documentation are constantly evolving to meet customer needs, so some actual dialogs and/or tool descriptions may differ from those in this document. Please refer to our web site (www.microchip.com) to obtain the latest documentation available.

Documents are identified with a “DS” number. This number is located on the bottom of each page, in front of the page number. The numbering convention for the DS number is “DSXXXXA”, where “XXXX” is the document number and “A” is the revision level of the document.

For the most up-to-date information on development tools, see the MPLAB® IDE online help. Select the Help menu, and then Topics to open a list of available online help files.

INTRODUCTION

This chapter contains general information that will be useful to know before using the MCP1630 SEPIC Automotive LED Driver Reference Design User’s Guide. Items discussed in this chapter include:

- Document Layout
- Conventions Used in this Guide
- Recommended Reading
- The Microchip Web Site
- Customer Support
- Document Revision History

DOCUMENT LAYOUT

This document describes how to use the MCP1630 SEPIC Automotive LED Driver Reference Design User’s Guide as a development tool to emulate and debug firmware on a target board. The manual layout is as follows:

- **Chapter 1. “Product Overview”** – Important information about the MCP1630 SEPIC Automotive LED Driver Reference Design.
- **Chapter 2. “Installation and Operation”** – This chapter includes a detailed description of each function of the demonstration board and instructions for how to begin using the board.
- **Appendix A. “Schematic and Layouts”** – Shows the schematic and layout diagrams for the MCP1630 SEPIC Automotive LED Driver Reference Design.
- **Appendix B. “Bill of Materials (BOM)”** – Lists the parts used to build the MCP1630 SEPIC Automotive LED Driver Reference Design.
- **Appendix C. “Firmware Flowchart”** – Shows the board flowchart.
- **Appendix D. “Test Points and Waveforms”** – Describes the main test points and waveforms for the MCP1630 SEPIC Automotive LED Driver Reference Design.

MCP1630 Sepic Automotive LED Driver Reference Design

CONVENTIONS USED IN THIS GUIDE

This manual uses the following documentation conventions:

DOCUMENTATION CONVENTIONS

Description	Represents	Examples
Arial font:		
Italic characters	Referenced books	<i>MPLAB[®] IDE User's Guide</i>
	Emphasized text	...is the <i>only</i> compiler...
Initial caps	A window	the Output window
	A dialog	the Settings dialog
	A menu selection	select Enable Programmer
Quotes	A field name in a window or dialog	"Save project before build"
Underlined, italic text with right angle bracket	A menu path	<u><i>File>Save</i></u>
Bold characters	A dialog button	Click OK
	A tab	Click the Power tab
N'Rnnnn	A number in verilog format, where N is the total number of digits, R is the radix and n is a digit.	4'b0010, 2'hF1
Text in angle brackets < >	A key on the keyboard	Press <Enter>, <F1>
Courier New font:		
Plain Courier New	Sample source code	#define START
	Filenames	autoexec.bat
	File paths	c:\mcc18\h
	Keywords	_asm, _endasm, static
	Command-line options	-Opa+, -Opa-
	Bit values	0, 1
	Constants	0xFF, 'A'
Italic Courier New	A variable argument	<i>file.o</i> , where <i>file</i> can be any valid filename
Square brackets []	Optional arguments	mcc18 [options] <i>file</i> [options]
Curly brackets and pipe character: { }	Choice of mutually exclusive arguments; an OR selection	errorlevel {0 1}
Ellipses...	Replaces repeated text	var_name [, var_name...]
	Represents code supplied by user	void main (void) { ... }

RECOMMENDED READING

This user's guide describes how to use the MCP1630 SEPIC Automotive LED Driver Reference Design User's Guide. Other useful documents are listed below. The following Microchip documents are available and recommended as supplemental reference resources.

- **MCP1630/MCP1630V Data Sheet – “High-Speed, Microcontroller-Adaptable, Pulse Width Modulator” (DS21896)**
- **PIC12F683 Data Sheet – “8-Pin Flash-Based, 8-Bit CMOS Microcontrollers with nanoWatt Technology” (DS41211)**
- **MCP1790 Data Sheet – “70 mA, High Voltage Regulator” (DS22075)**
- **MCP1415/16 Data Sheet – “Tiny 1.5A, High-Speed Power MOSFET Driver” (DS22092)**
- **AN1137 – “Using the MCP1631 Family to Develop Low-Cost Battery Chargers” (DS01137)**

THE MICROCHIP WEB SITE

Microchip provides online support via our web site at www.microchip.com. This web site is used as a means to make files and information easily available to customers. Accessible by using your favorite Internet browser, the web site contains the following information:

- **Product Support** – Data sheets and errata, application notes and sample programs, design resources, user's guides and hardware support documents, latest software releases and archived software
- **General Technical Support** – Frequently Asked Questions (FAQs), technical support requests, online discussion groups, Microchip consultant program member listing
- **Business of Microchip** – Product selector and ordering guides, latest Microchip press releases, listing of seminars and events, listings of Microchip sales offices, distributors and factory representatives

CUSTOMER SUPPORT

Users of Microchip products can receive assistance through several channels:

- Distributor or Representative
- Local Sales Office
- Field Application Engineer (FAE)
- Technical Support

Customers should contact their distributor, representative or field application engineer (FAE) for support. Local sales offices are also available to help customers. A listing of sales offices and locations is included in the back of this document.

Technical support is available through the web site at: <http://support.microchip.com>

MCP1630 Semic Automotive LED Driver Reference Design

DOCUMENT REVISION HISTORY

Revision A (September 2011)

- Initial Release of this Document.



MCP1630 SEPIC AUTOMOTIVE LED DRIVER REFERENCE DESIGN

Chapter 1. Product Overview

1.1 INTRODUCTION

The MCP1630 Sepic Automotive LED Driver Reference Design is a step-up/down, Switch mode, DC-DC converter used for powering LED applications. The demo board provides a 350 mA (700 mA, with hardware modification) constant current source. Other output currents can be obtained with minor modifications to the board components' values.

The MCP1630 Sepic Automotive LED Driver Reference Design sustains the high-voltage peaks that can be found in typical automotive applications. This board provides useful information about typical high-voltage applications that can be found in the automotive field.

The MCP1630 Sepic Automotive LED Driver Reference Design utilizes Microchip's MCP1630 high-speed, Pulse-Width Modulator (PWM) device. The 8-pin MCP1630 device contains all the analog components necessary for a peak current switch-mode control loop, including an error amplifier, a PWM comparator and a high-current driver output pin. The switching frequency and the maximum duty cycle for the MCP1630 are determined by an external clock source.

An 8-pin PIC12F683 microcontroller is used to provide a 330 kHz switching clock for the MCP1630 device. In addition, the PIC12F683 firmware supervises the input and output voltage, and can optionally dim the LEDs when a button is attached.

In this reference design, the MCP1630 device is used for Peak Current Mode Control in a SEPIC power train circuit. Because the duty cycle exceeds 50%, a ramp generator provides an additional reference signal to the MCP1630 for slope compensation.

Note: This application uses a Peak Current Mode Control. Use only the MCP1630 device option for this board.

MCP1630 Sepic Automotive LED Driver Reference Design

1.2 FEATURES

The MCP1630 Sepic Automotive LED Driver Reference Design has the following features:

- Compact size with high output power
- Can operate in Buck (step-down) or Boost (step-up) mode
- Sustains voltage stresses typically found in automotive products:
42 V_{IN} for 180 ms
- High efficiency over the entire operating input and output voltage ranges:
85% typical
- Maximum Output Current = 350 mA; this value can be modified with minor changes in hardware
- Maximum Output Power = 18W
- Optional software dimming control for both methods: PWM or Current mode
- Preprogrammed source code
- The switching frequency, maximum duty cycle and the MCP1630 reference voltage can be modified in firmware
- Additional application functions can be implemented in firmware

1.3 DEVICE SUMMARY

The MCP1630 Sepic Automotive LED Driver Reference Design uses the following devices:

- MCP1630 High-Speed Pulse-Width Modulator IC – When used in conjunction with a microcontroller, the MCP1630 controls the power system duty cycle to provide output current and/or voltage regulation.
- PIC12F683 Microcontroller (8-bit MCU) – Used to generate the MCP1630's reference voltage, the oscillator signal at 330 kHz, and to provide additional software functions.
- MCP1790 HV LDO Regulator – Used to supply the regulated voltage to the PIC12F683 and MCP1630. The MCP1790 is capable of delivering 70 mA and sustaining 42V surge voltage on input for 180 ms (30 seconds repetition rate).
- MCP1416 – Is a high-speed MOSFET driver, capable of providing 1.5A of peak current for driving the switching power transistor.

1.4 TECHNICAL SPECIFICATIONS

- Input Voltage = 9V to 16V (surge voltage of 42V for maximum 180 ms, 30 seconds repetition rate)
- Software Configurable Under Voltage Lock-Out Circuit (UVLO) and Over Voltage Lock-Out Circuit (OVLO) (8V and 17V default thresholds)
- Software Configurable Load Disconnect Protection
- Typical Output Current = 350 mA
- Maximum Output Current = 700 mA (with hardware modifications)
- Typical Output Power = 18W (maximum 20W at $T_A = +25^\circ\text{C}$)
- Fully Protected Against Short-Circuit and No-Load Condition

Figure 1-1 shows a simplified block diagram of the application.

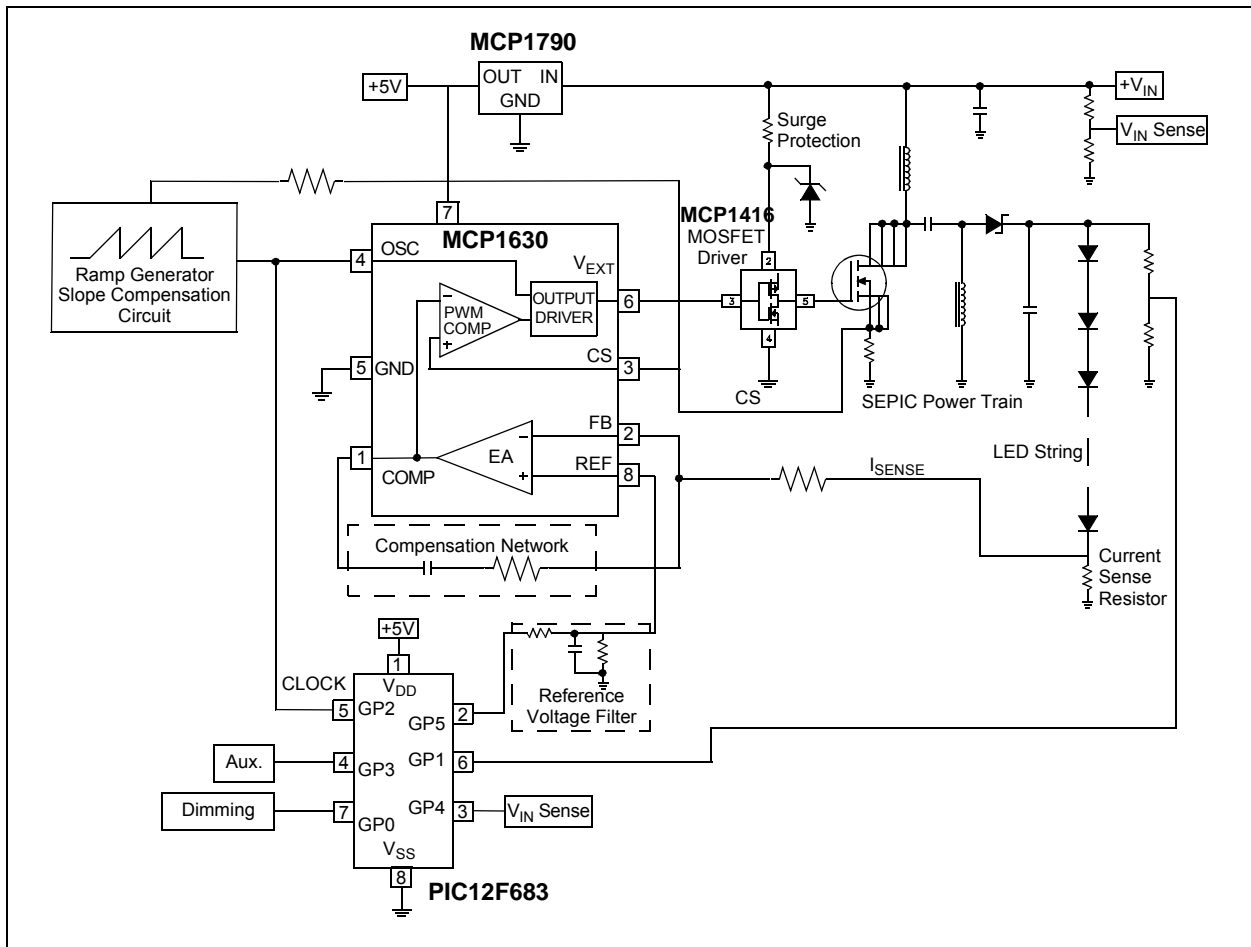


FIGURE 1-1: MCP1630 Sepic Automotive LED Driver Reference Design Block Diagram.

MCP1630 Sepic Automotive LED Driver Reference Design

1.5 FUNCTIONAL DESCRIPTION

The MCP1630 device provides all the analog functions necessary to implement a Peak Current Mode PWM DC-DC Converter. The power train is based on the Single-Ended Primary Inductor Converter (SEPIC) topology. This topology offers the buck-boost functionality and also has non-pulsating input current.

The converter provides adjustable constant current at the output, necessary to drive high-power LED applications.

The MCP1630 PWM controller requires an external clock for operation. This clock is provided by an external 8-bit microcontroller, PIC12F683. The PWM frequency and the maximum duty cycle are set by this clock.

The output (load) current is sensed with a 0.5Ω shunt resistor (R17 and R18). The voltage across this shunt resistor is compared with the reference voltage by the MCP1630 device's PWM controller.

The reference voltage for the MCP1630 device is also provided by PIC12F683, at the V_{REF} pin (Pin 8). R4, R3 and C2 form a low-pass filter that smooths the PWM signal produced by the PIC[®] microcontroller. The maximum output current is set by the R4 and R3 voltage dividers. The duty cycle of the PWM signal is adjusted in eight steps.

The output current is calculated with Equation 1-1:

EQUATION 1-1:

$$I_{OUT} = \frac{V_{REF}}{0.5}$$

Where:

$$V_{REFmax} = \left(\frac{R3}{R3 + R4} \right) \times 5V = 178mV$$

$$I_{OUTmax} = \frac{178mV}{0.5} = 357mA$$

Because the operating duty cycle is bigger than 50%, a slope compensation circuit is required to avoid subharmonic oscillations that occur in Peak Current mode controllers. A ramp generator is constructed with Q1 and the associated components. The ramp is then summed with the inductor current, measured across R9 and R10 resistors.

A 100V V_{DS} MOSFET transistor is also used in this application. The MCP1416 MOSFET driver drives the gate of this transistor. This is necessary because the high-voltage transistors usually have high gate charge and also require at least 7V for gate-to-source voltage.

Note: The MCP1416 MOSFET driver must be protected against input voltage surges. This protection is ensured by R6 and D1.

1.6 WHAT THE MCP1630 SEPIC AUTOMOTIVE LED DRIVER REFERENCE DESIGN KIT INCLUDES

The MCP1630 Sepic Automotive LED Driver Reference Design includes:

- MCP1630 Sepic Automotive LED Driver Reference Design (102-00323)
- Important Information Sheet

Chapter 2. Installation and Operation

2.1 GETTING STARTED

The MCP1630 Sepic Automotive LED Driver Reference Design is fully assembled and tested. The board requires the use of an external input voltage source (9V to 16V) and an external LED load, provided by Microchip.

2.1.1 Additional Tools Required for Operation

1. A DC power supply, a bench supply that can produce 12V, 2.5A, is recommended to operate the board at the full rated power.
2. An oscilloscope and/or a multi-meter to observe the waveforms and measure the electrical parameters (optional).

2.2 SETUP PROCEDURE

To operate the MCP1630 Sepic Automotive LED Driver Reference Design, the following steps must be completed:

1. Attach an LED load (or dummy load) to the Output Connector J3 (observe the polarity).
2. Attach the push button to the J1 header (between Pins 3 and 4 is optional).
3. Connect a power supply to the Input Connector J2 (observe the polarity).

Detailed instructions are provided below for each step.

WARNING

Please observe the polarity for all steps to avoid board damage.
--

2.2.1 Demo Board Output Current Configuration

The board is configured to deliver a maximum of 350 mA to the LEDs' load. UVLO and OVLO thresholds are set to 8V and 17V, respectively. The maximum output voltage is set to be approximately 55V.

2.2.2 Connecting the Load

A string of up to sixteen white LEDs (1W each) can be powered by this board. The LED's string must be mounted on an appropriate heat sink to keep the maximum junction temperature at safe level (consult the LED data sheet for details). The maximum current delivered by the board to the LED's string is set to 350mA and the maximum output voltage is 55V.

The LED's string can be replaced by a resistor of 150 Ω and 20W dissipated power (dummy load). In this case, the power delivered to the load will be about 18W.

Connect the LEDs' string to the J3 connector. It is very important to use the correct polarity (see Figure 2-1).

MCP1630 Sepic Automotive LED Driver Reference Design

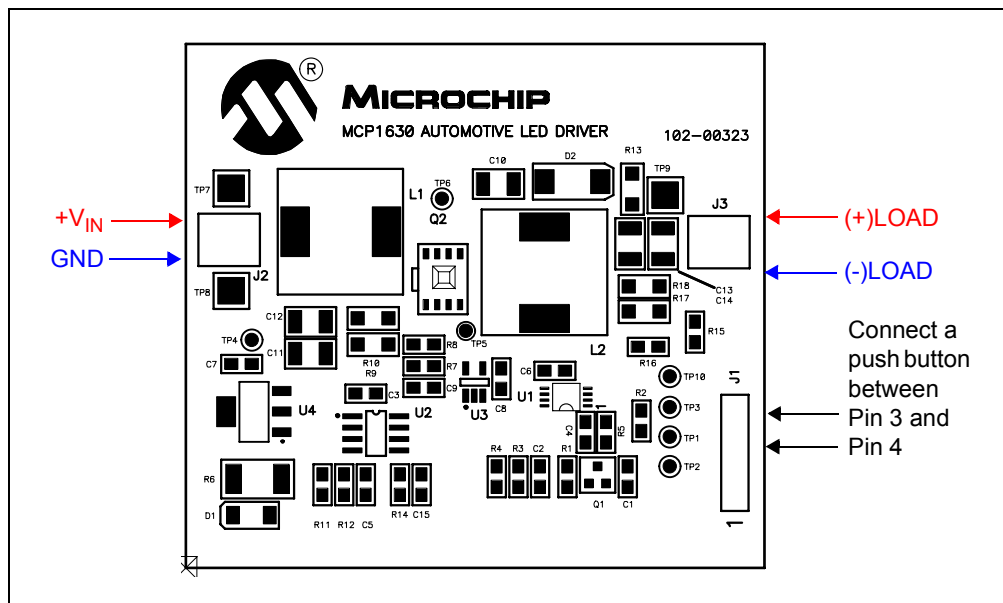


FIGURE 2-1: Power Supply and Load Connection Diagram.

2.2.3 Connecting the Dimming Push Button (optional)

The Dimming Push Button provides the option to adjust the LEDs' luminous intensity in eight steps. Connect the Dimming Push Button to the J1 header between GND (Pin 3) and Pin 4.

2.2.4 Powering the Board

Connect a power supply to J2 to power up the MCP1630 Sepic Automotive LED Driver Reference Design. Ensure that the power supply has the (+) terminal connected to the J2 terminal block at Pin 1 (left), and the (-) terminal connected to Pin 2 (right). The input voltage source should be limited to a range from 9V to 16V. Ensure that the chosen power supply can provide enough current at the selected voltage to properly power the LEDs.

For 12V input voltage, the current drain will be around 1.8A at full load (18W).

Note: This board has no Thermal Shut-Down function implemented. Please ensure that the load is properly cooled.

2.2.5 Using the Reference Board

When the board is powered up, it supplies the maximum output current (350mA). The user has the option to adjust this output current connecting an external push button (see Figure 2-1). The push button controls the output current in eight steps from 0 to 350mA.

The board has Under Voltage Lock-Out and Over Voltage Lock-Out protections. The thresholds are set in firmware and are $8 V_{DC}$ and $17 V_{DC}$, respectively.

The board is protected for the No-Load condition. The typical threshold value is $55 V_{DC}$ for the output voltage.

Note: It is not recommended to operate the board without a proper load connected to the output. The maximum power at the output must be limited to 19W at ambient temperature.

2.3 EVALUATING THE APPLICATION

The best way to evaluate the MCP1630 Sepic Automotive LED Driver Reference Design is to dig into the circuit and measure the voltages and currents with a Digital Voltage Meter (DVM), and probe the board with an oscilloscope.

Additional tools are necessary to evaluate some technical parameters of the board (temperature of power components, ability to withstand surge voltage pulse on input, EMI).

Some typical voltage and waveforms are provided in [Appendix D. “Test Points and Waveforms”](#).

The firmware program of the PIC12F683 can also be edited to modify the operation of the application.

2.4 FIRMWARE DESCRIPTION

The PIC12F683 is preprogrammed with firmware to operate the system, as described in the previous sections. The firmware flow diagram is shown in [Appendix C. “Firmware Flowchart”](#). The program is simple and straightforward.

The TRISIO register controls the direction of the GPIO pins, and is configured to set GP2 (oscillator pulses to the MCP1630) and GP5 (V_{REF} voltage to MCP1630) as output ports. GP1 and GP4 are configured as analog inputs. These inputs are used to measure the input and output voltages.

The Capture/Compare/PWM (CCP) block is used to generate the master clock for the MCP1630 device. This module is configured for PWM mode operation. The PWM period can be calculated by writing to the PR2 register. The PWM duty cycle is specified by writing to the CCPR1L register and to the CCP1CON<5:4> bits. A resolution, up to 10-bit, is available. The CCPR1L contains the eight MSBs, while the CCP1CON<5:4> contains the two LSBs. This 10-bit value is represented by the CCPR1L:CCP1CON<5:4> bits. The switching frequency is set to 330 kHz.

The reference voltage for the MCP1630 device is produced by the software PWM. This allows the user to adjust the LED's intensity in eight steps.

The No-Load condition protection is provided by using the internal comparator. If the output voltage is too high, an interrupt occurs and the master clock for PWM operation is disabled.

The internal ADC is used to monitor the input voltage. If the input voltage is too low or too high, the board will be in a “Power Off” condition.

The Soft Start feature is also provided in this firmware. The duty cycle is gradually increased until it reaches the maximum value.

2.5 PROGRAMMING THE PIC12F683 MICROCONTROLLER

The firmware package provides the source and .hex files for the LED driver.

The board is factory programmed with the LED driver firmware. UVLO, OVLO thresholds and dimming steps can be modified. The source code is commented extensively and helps the user to define the board.

This firmware was developed using MPLAB[®] Integrated Development Environment and HI-TECH C[®] for the PIC10/12/16 MCU Family (v9.7).

Header J1 provides in-system circuit programming. Follow the next steps to program the board:

1. Connect the PICKit™ 3 to the USB port.
2. Connect the PICKit 3 device to the board at J1 pin. Ensure the polarity is correctly applied.
3. Open the `project00323.prj` file with MPLAB Integrated Development Environment.
4. Select **Programmer** from the menu bar, click **Select Programmer** and choose PICKit 3 from the submenu list.
5. Return to the **Programmer** menu and select **Settings**. From the Properties window that appears, click the **Power** tab.

Set the voltage to 5V and select the “Power target circuit from PICKit 3” check box. Press **Apply**.

6. On the warning message that appears click, **OK**.
7. From the Programmer menu, choose **Program**. Check the Output window if the programming was performed without errors.

The board is now ready to operate.



MCP1630 SEPIC AUTOMOTIVE LED DRIVER REFERENCE DESIGN

Appendix A. Schematic and Layouts

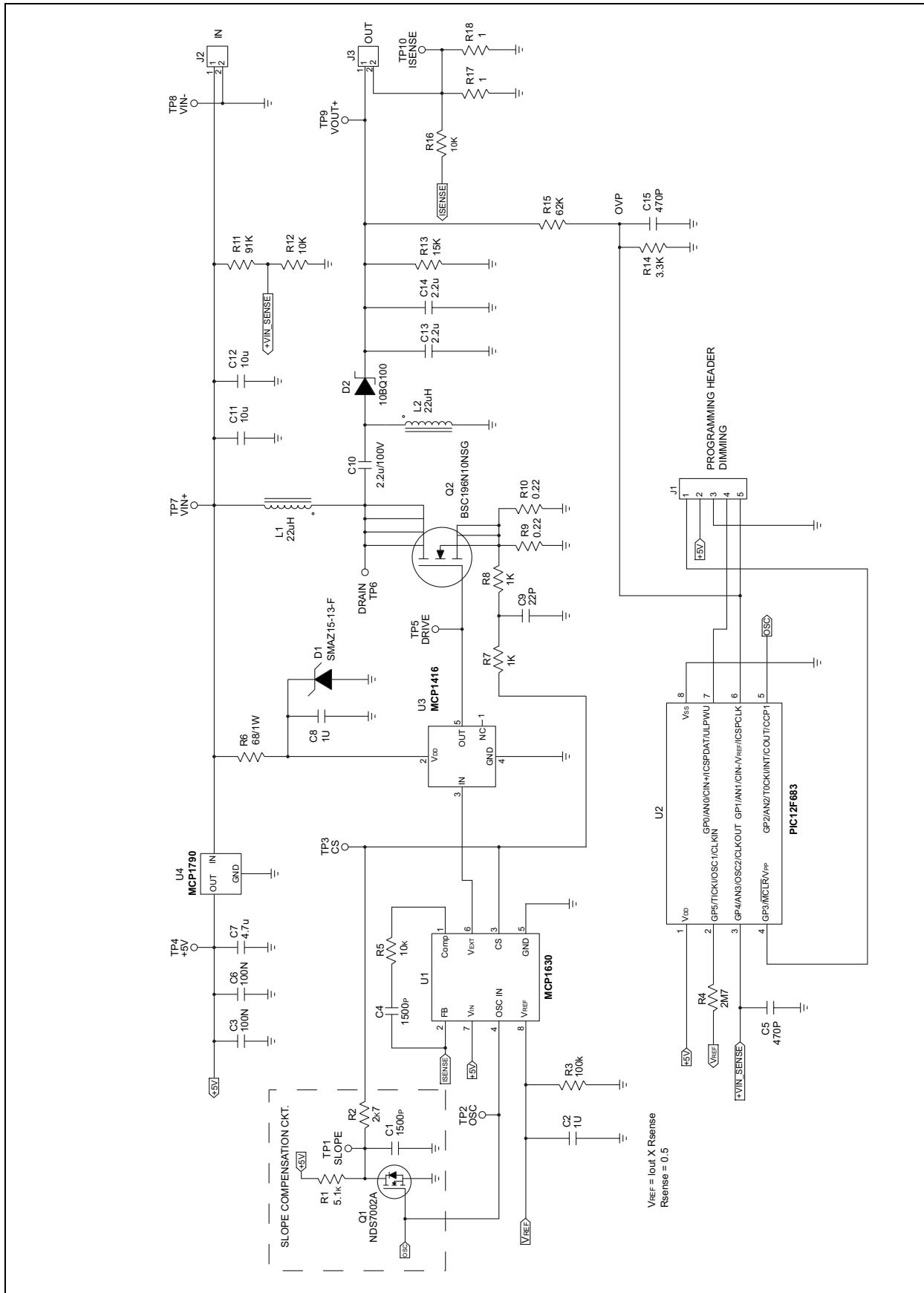
A.1 INTRODUCTION

This appendix contains the following schematics and layouts for the MCP1630 Sepic Automotive LED Driver Reference Design User's Guide:

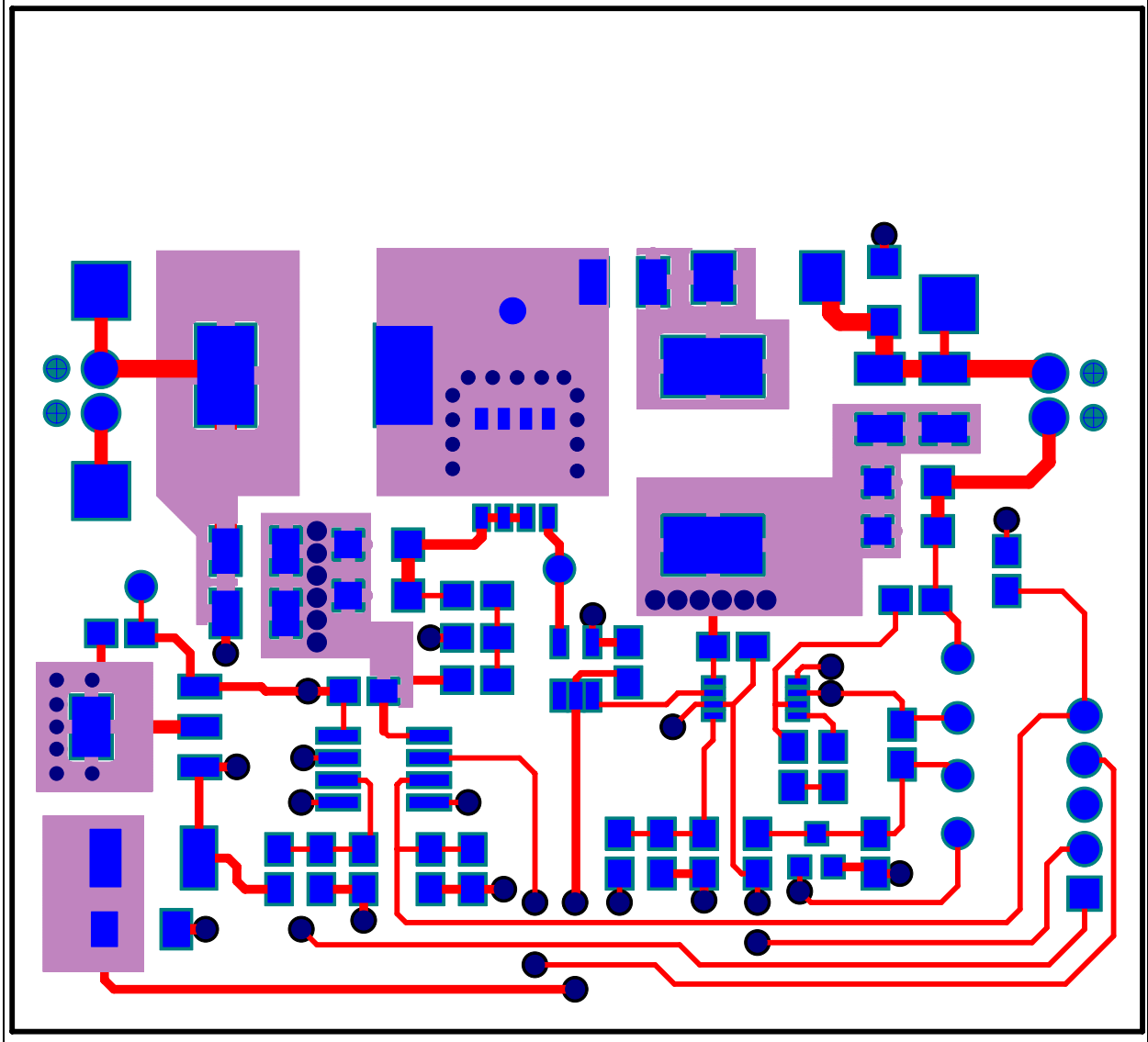
- [Board – Schematic](#)
- [Board – Top Copper and Pads](#)
- [Board – Top Copper Pads and Silk](#)
- [Board – Top Silk and Pads](#)
- [Board – Bottom Copper and Pads](#)

MCP1630 Sepic Automotive LED Driver Reference Design

A.2 BOARD – SCHEMATIC

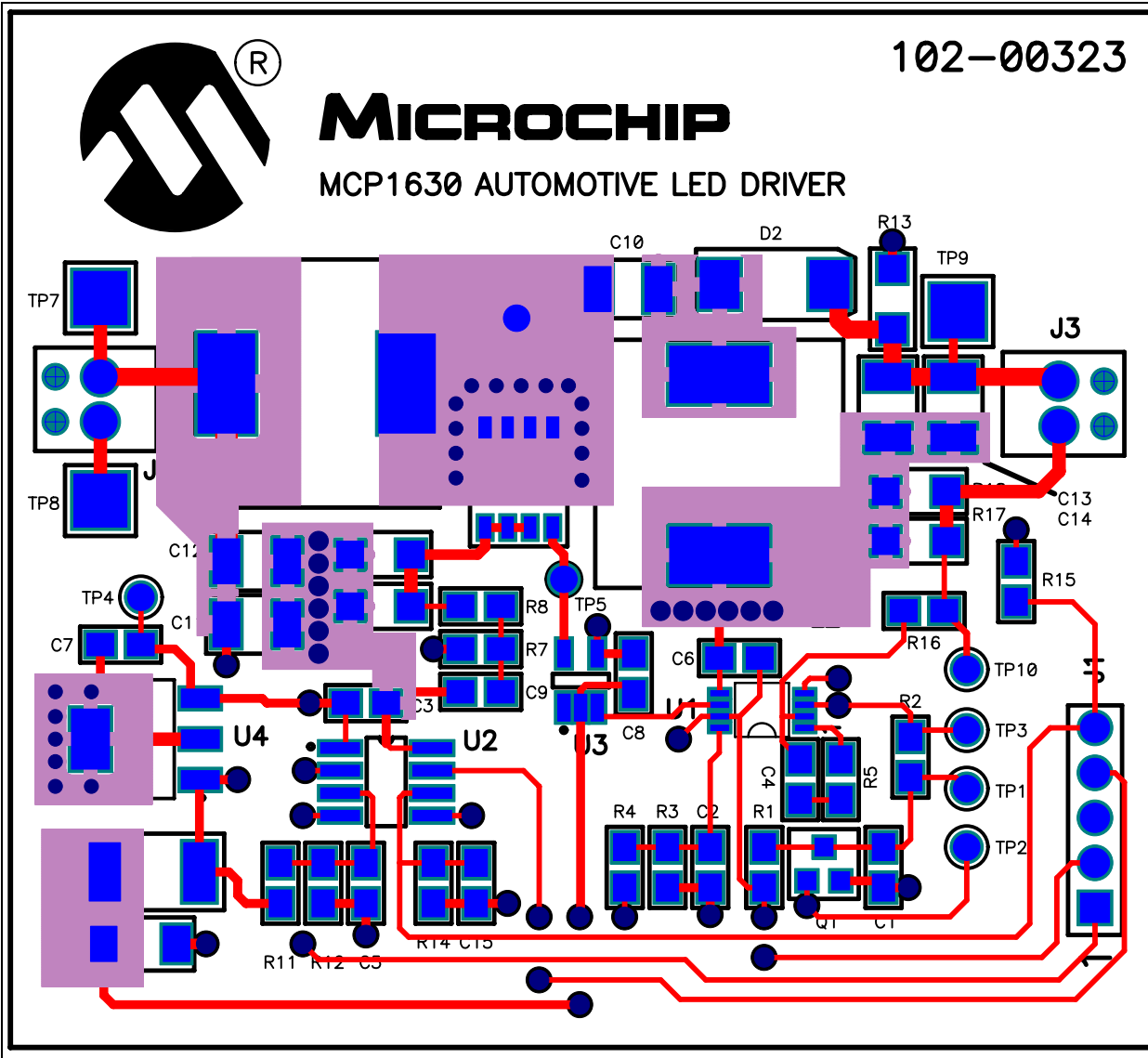


A.3 BOARD – TOP COPPER AND PADS

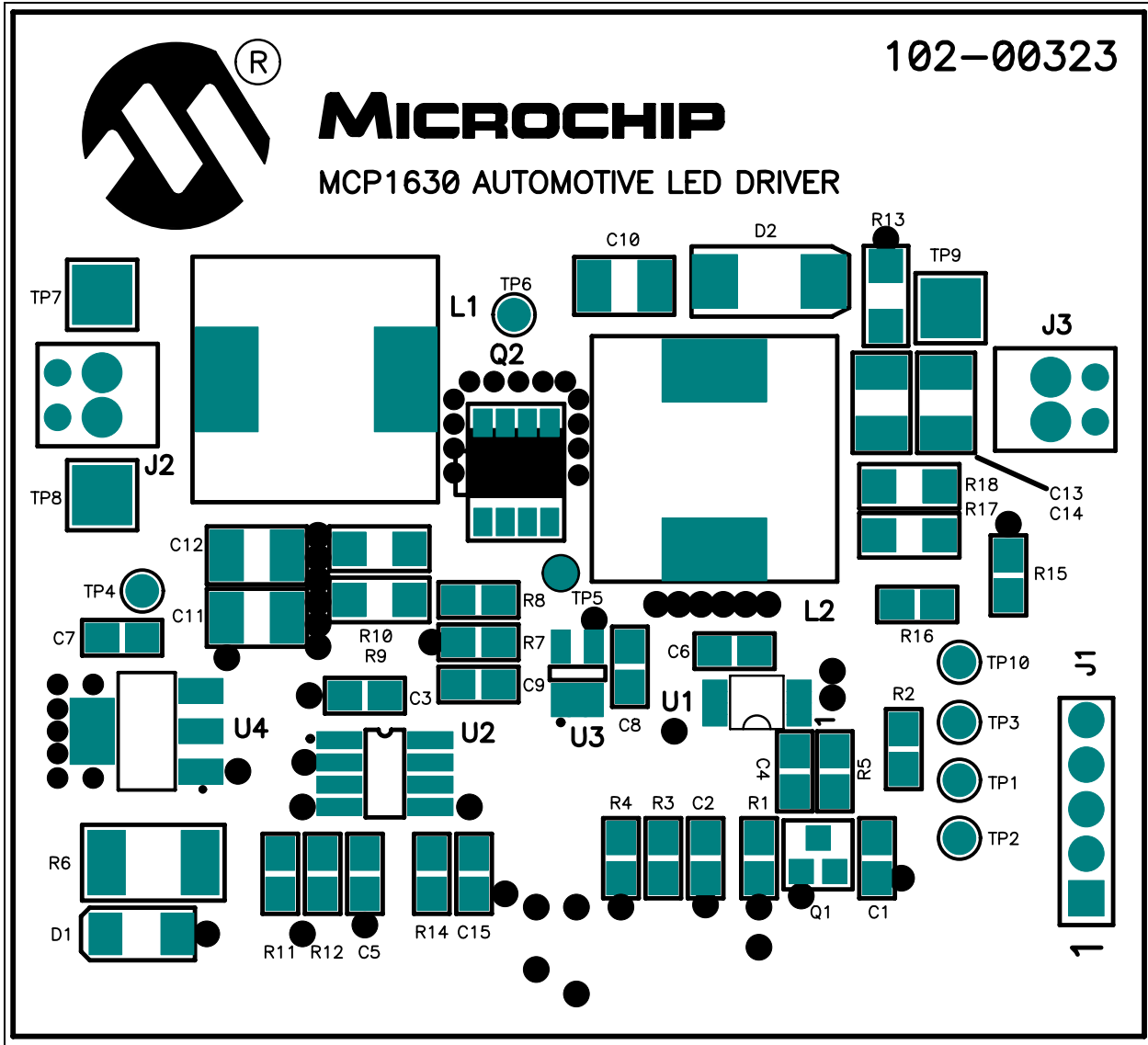


MCP1630 Sepic Automotive LED Driver Reference Design

A.4 BOARD – TOP COPPER PADS AND SILK

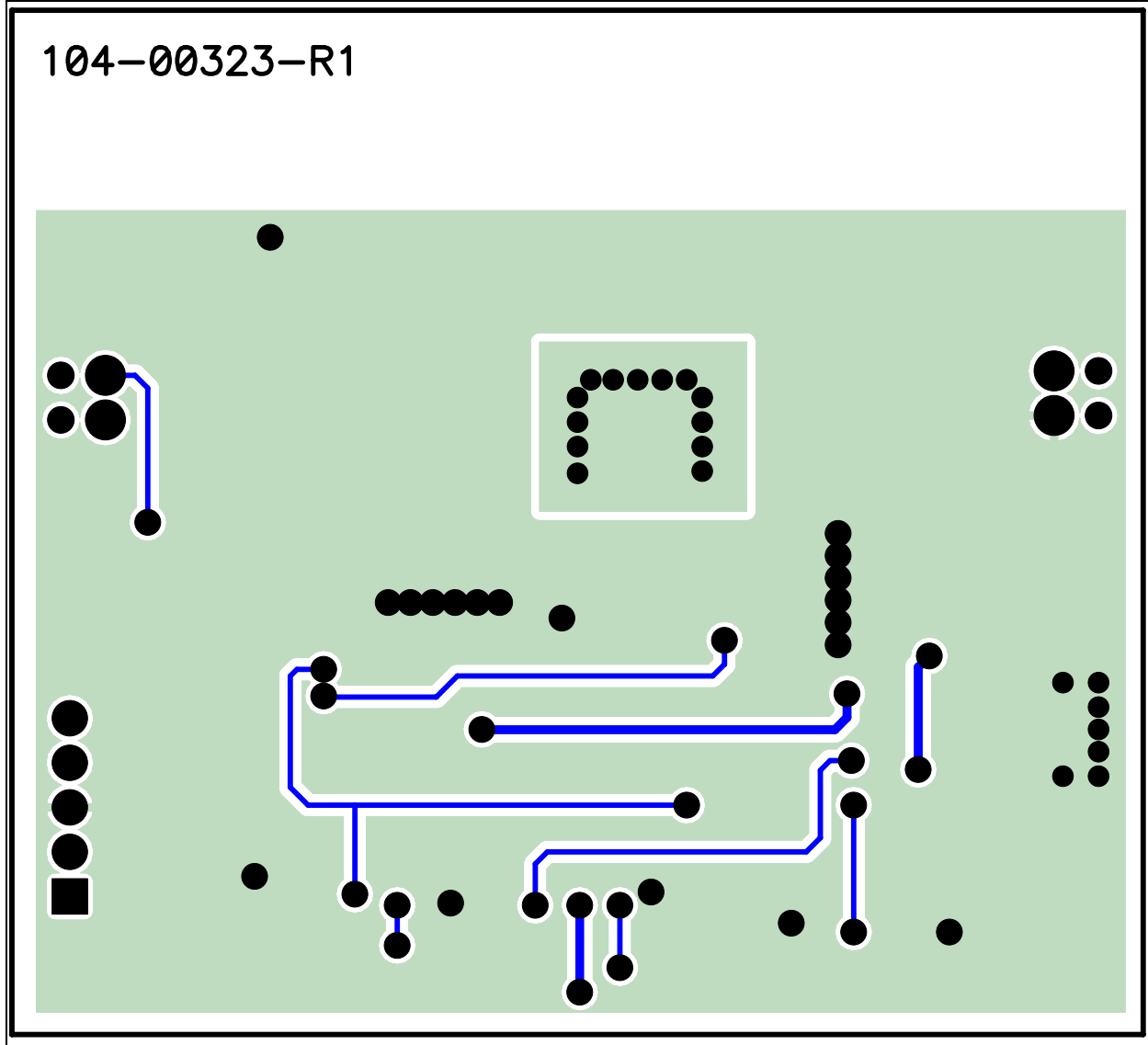


A.5 BOARD – TOP SILK AND PADS



MCP1630 Sepic Automotive LED Driver Reference Design

A.6 BOARD – BOTTOM COPPER AND PADS





MCP1630 SEPIC AUTOMOTIVE LED DRIVER REFERENCE DESIGN

Appendix B. Bill of Materials (BOM)

TABLE B-1: BILL OF MATERIALS (BOM)

Qty	Reference	Description	Manufacturer	Part Number
4	B1, B2, B3, B4	BUMPON HEMISPHERE .44X.20 CLEAR	3M	SJ-5303 (CLEAR)
2	C1,C4	CAPACITOR 1500P 50V COG 5% SMD 0805	KEMET®	C0805C152J5GACTU
1	C2	CAPACITOR 1U 16V X7R 10% SMD 0805	KEMET	C0805C105K4RACTU
2	C3, C6	CAPACITOR 100N 100V X7R 10% SMD 0805	KEMET	C0805C104K1RACTU
2	C5, C15	CAPACITOR 470P 50V COG 5% SMD 0805	KEMET	C0805C471J5GACTU
1	C7	CAPACITOR 4.7U 10V X7R 10% SMD 0805	TAIYO YUDEN Co., Ltd.	LMK212B7475KG-T
1	C8	CAPACITOR 1U 25V X7R 10% SMD 0805	KEMET	C0805C105K3RACTU
1	C9	CAPACITOR 22P 50V COG 5% SMD 0805	KEMET	C0805C220J5GACTU
3	C10, C13, C14	CAPACITOR 2.2U 100V X7R 10% SMD 1210	KEMET	C1210C225K1R1C
2	C11, C12	CAPACITOR 10U 25V X7R 10% SMD 1210	KEMET	C1210X106K3RACTU
1	D1	SMAZ15-13-F DIODE ZENNER 15V/1W SMD SMA	Diodes Incorporated®	SMAZ15-13-F
1	D2	10BQ100 DIODE SCHOTTKY 100V 1A SMB	Vishay Intertechnology, Inc.	10BQ100TRPBF
1	J1	CONN HEADER 5POS .100 VERT TIN	Molex® Connector Corp.	22-03-2051
2	J2, J3	CONN TERM BLOCK 2.54MM 2POS	Phoenix Contact	1725656
2	L1, L2	INDUCTOR POWER 22UH 6.0A SMD	Würth® Group	7443551221
1	PCB	RoHS Compliant Bare PCB, MCP1630 SEPIC Automotive LED Driver Reference Design	—	104-00323
1	Q1	NDS7002A MOSFET N-CH 60V 280MA SOT-23	Fairchild Semiconductor®	NDS7002A
1	Q2	BSC196N10NS G MOSFET N-CH 100V 45A TDSO-N8	Infineon Technologies AG	BSC196N10NS G
1	R1	RESISTOR 5.1K OHM 1/8W 1% SMD 0805	Vishay Intertechnology, Inc.	CRCW08055K10FKEA
1	R2	RESISTOR 2.7K OHM 1/8W 1% SMD 0805	Vishay Intertechnology, Inc.	CRCW08052K70FKEA

Note 1: The components listed in this Bill of Materials are representative of the PCB assembly. The released BOM used in manufacturing uses all RoHS-compliant components.

MCP1630 Sepic Automotive LED Driver Reference Design

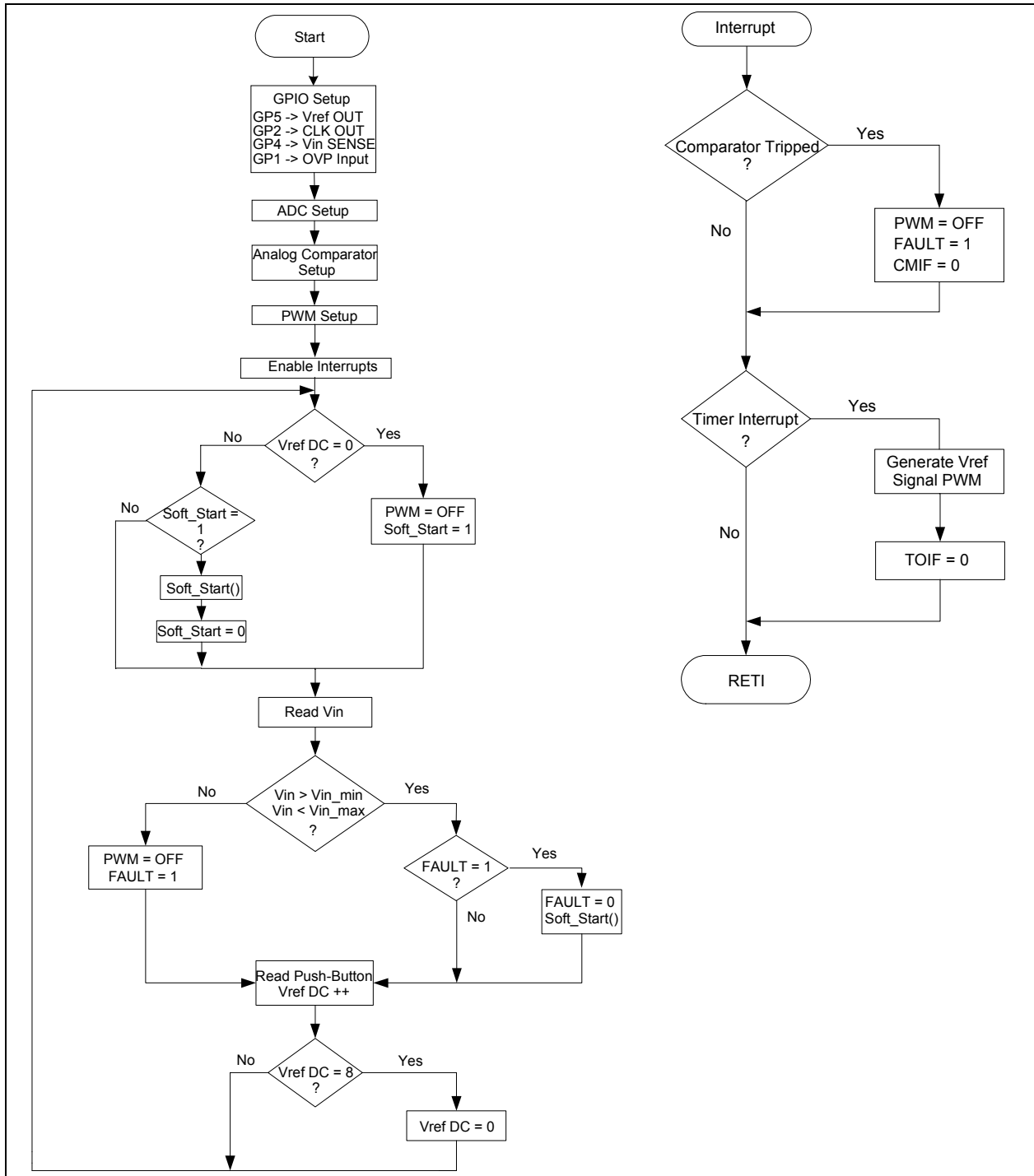
TABLE B-1: BILL OF MATERIALS (BOM) (CONTINUED)

Qty	Reference	Description	Manufacturer	Part Number
1	R3	RESISTOR 100K OHM 1/8W 1% SMD 0805	Vishay Intertechnology, Inc.	CRCW0805100KFKEA
1	R4	RESISTOR 2.7M OHM 1/8W 1% SMD 0805	Vishay Intertechnology, Inc.	CRCW08052M70FKEA
3	R5, R12, R16	RESISTOR 10K OHM 1/8W 1% SMD 0805	Vishay Intertechnology, Inc.	CRCW080510K0FKEA
1	R6	RESISTOR 68 OHM 1W 5% SMD 2512	Vishay Intertechnology, Inc.	CRCW251268R0JNEG
2	R7, R8	RESISTOR 1K OHM 1/8W 1% SMD 0805	Vishay Intertechnology, Inc.	CRCW08051K00FKEA
2	R9, R10	RESISTOR 0.22 OHM 1/2W 1% SMD 1206	Vishay Intertechnology, Inc.	RCWE1206R220FKEA
1	R11	RESISTOR 91K OHM 1/8W 1% SMD 0805	Vishay Intertechnology, Inc.	CRCW080591K0FKEA
1	R13	RESISTOR 15K OHM 1/4W 1% SMD 1206	Vishay Intertechnology, Inc.	CRCW120615K0FKEA
1	R14	RESISTOR 3.3K OHM 1/8W 1% SMD 0805	Vishay Intertechnology, Inc.	CRCW08053K30FKEA
1	R15	RESISTOR 62K OHM 1/8W 1% SMD 0805	Vishay Intertechnology, Inc.	CRCW120615K0FKEA
2	R17, R18	RESISTOR 1 OHM 1/4W 1% SMD 1206	Vishay Intertechnology, Inc.	CRCW12061R00FKEA
3	TP7, TP8, TP9	TEST POINT PC COMPACT SMT	Keystone [®] Electronics Corp.	5016
1	U1	MCP1630 HIGH-SPEED uC ADAPTABLE PWM CONTROLLER MSOP10	Microchip Technology Inc.	MCP1630-E/MS
1	U2	PIC12F683 8BIT FLASH MICROCONTROLLER SOIC8	Microchip Technology Inc.	PIC12F683-E/SN
1	U3	MCP1416 TINY 1.5A POWER MOSFET DRIVER SOT23-5	Microchip Technology Inc.	MCP1416T-E/OT
1	U4	MCP1790 70MA HIGH-VOLTAGE REGULATOR SOT-223	Microchip Technology Inc.	MCP1790-5002E/DB

Note 1: The components listed in this Bill of Materials are representative of the PCB assembly. The released BOM used in manufacturing uses all RoHS-compliant components.

Appendix C. Firmware Flowchart

C.1 MCP1630 SEPIC AUTOMOTIVE LED DRIVER REFERENCE DESIGN FIRMWARE FLOWCHART



MCP1630 Sepic Automotive LED Driver Reference Design

NOTES:



MCP1630 SEPIC AUTOMOTIVE LED DRIVER REFERENCE DESIGN

Appendix D. Test Points and Waveforms

D.1 TEST POINTS DESCRIPTION

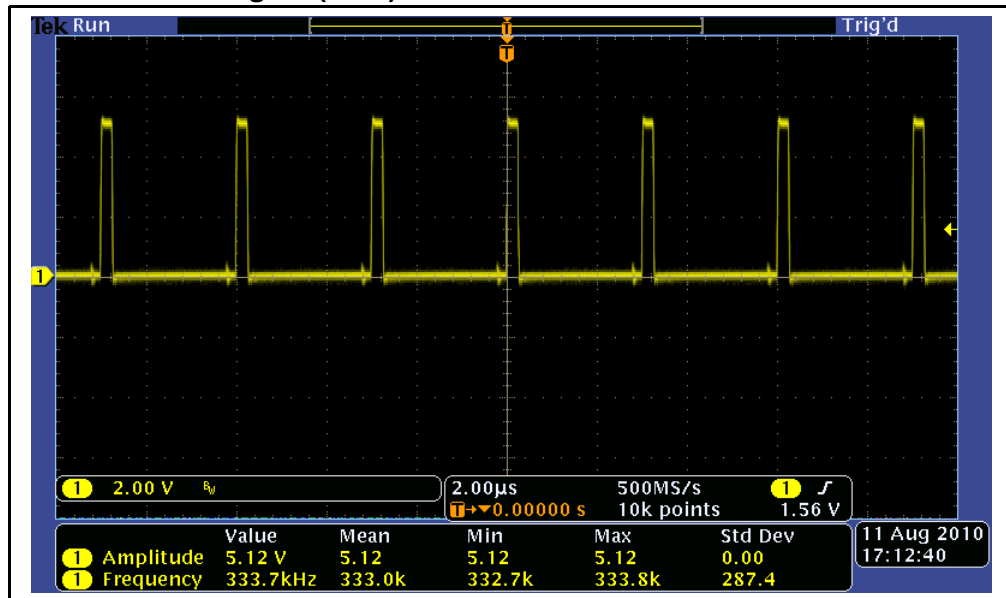
TABLE D-1: TEST POINTS

Testpoint	Name	Description
TP1	RAMP	Artificial ramp for Slope Compensation
TP2	CLK	Master clock for PWM controller
TP3	CS	Current sense pin for PWM controller
TP4	+5V	Microcontroller and PWM controller supply voltage
TP5	DRIVE	Gate drive of Power MOSFET
TP6	DRAIN	Drain terminal of the Power MOSFET
TP7	+V _{IN}	Input Voltage
TP8	GND	Board ground. All measurements are referred to this test point.
TP9	V _{OUT}	Output Voltage
TP10	I _{SENSE}	Main current sense test point. The output current is estimated by dividing the voltage from this test pint with 0.5.

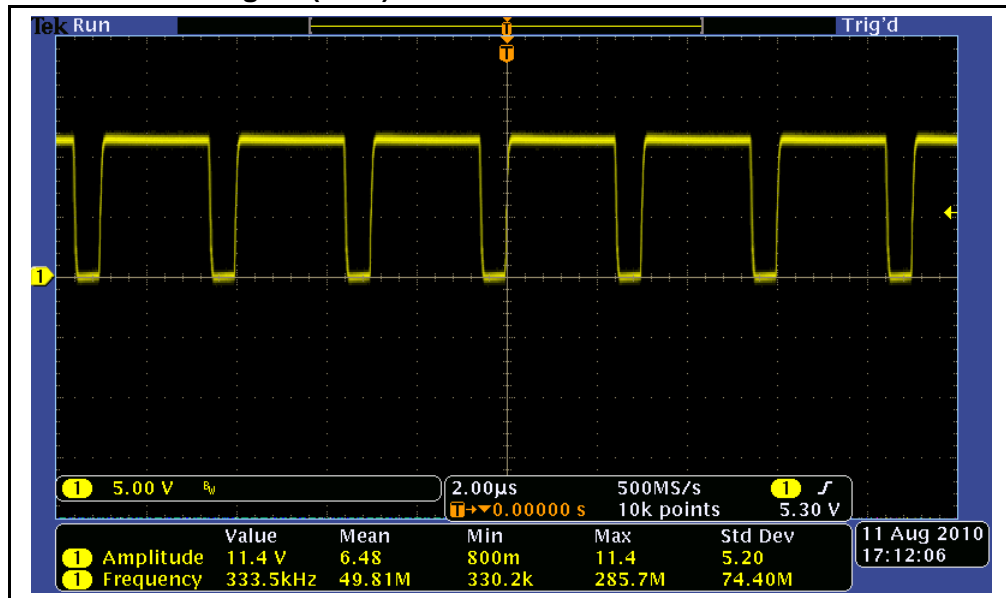
MCP1630 Sepic Automotive LED Driver Reference Design

D.2 WAVEFORMS EXAMPLES

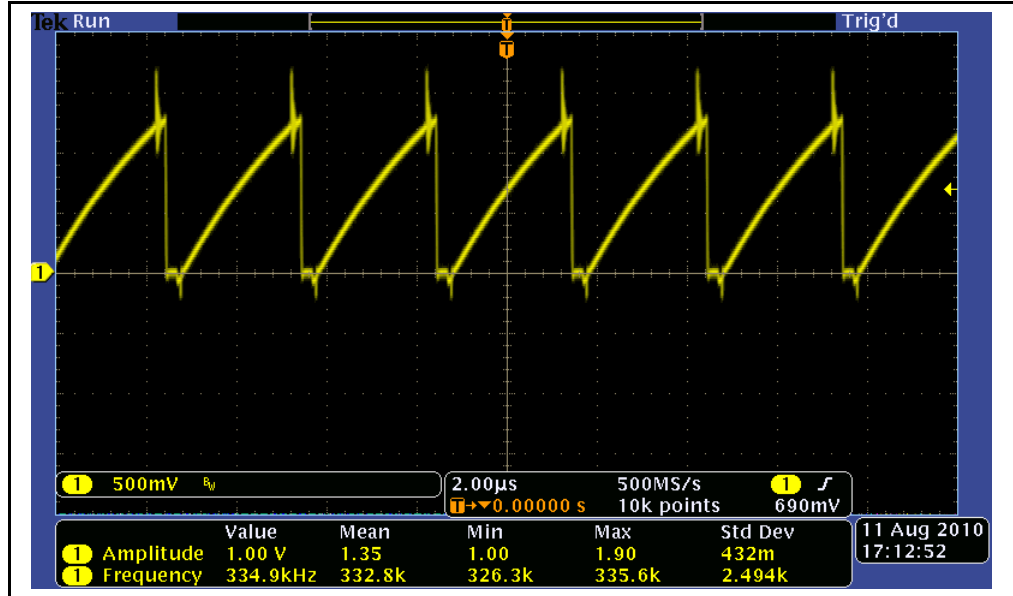
D.2.1 Clock Signal (TP 2)



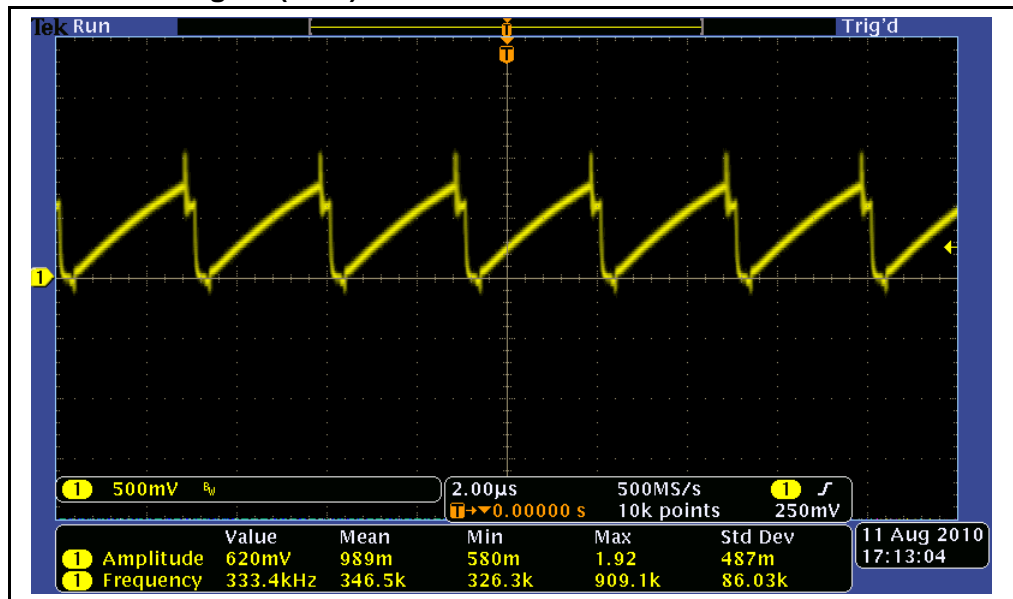
D.2.2 Drive Signal (TP 5)



D.2.3 RAMP Signal (TP 1)

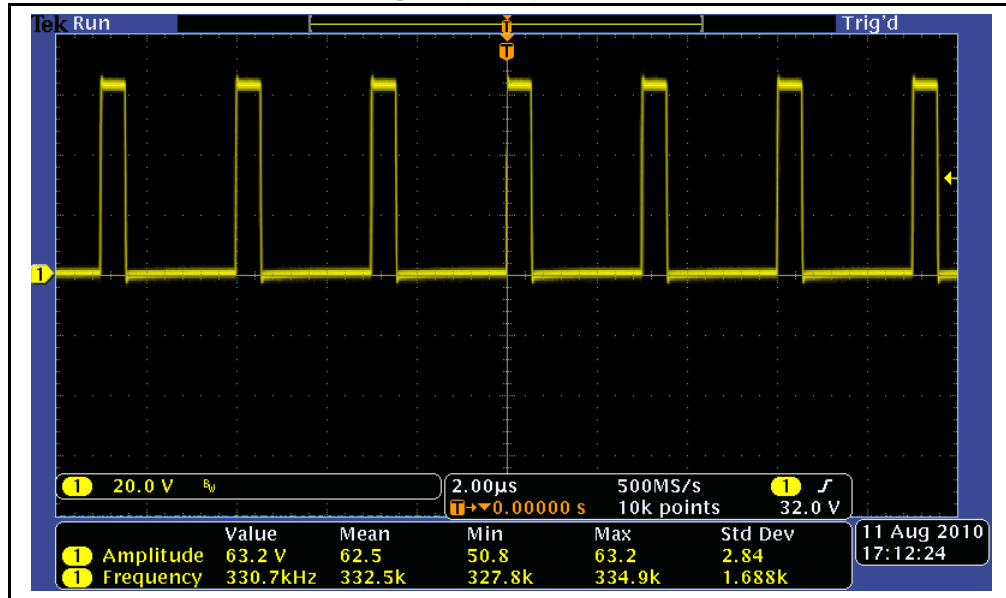


D.2.4 CS Signal (TP 3)

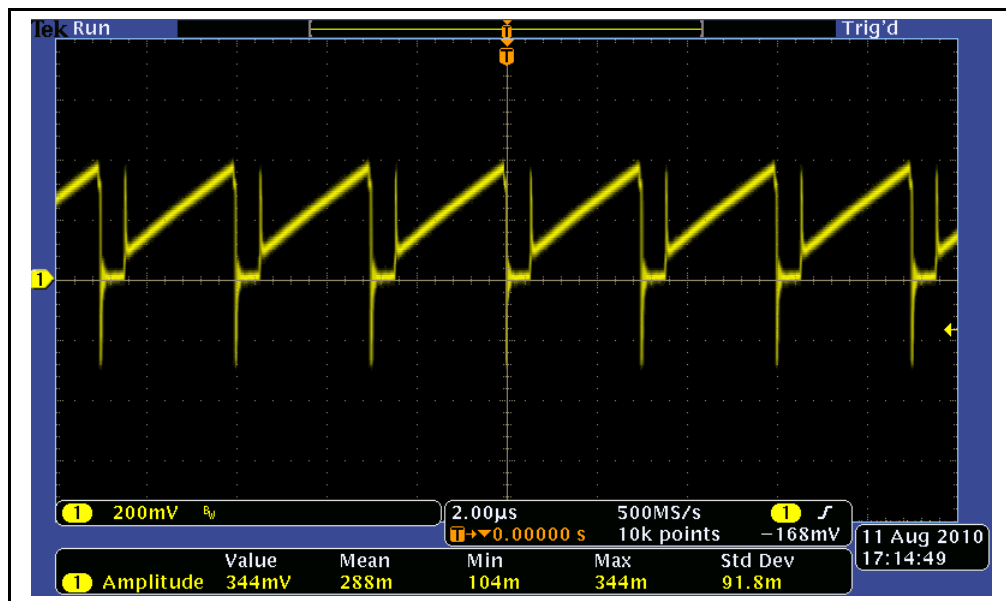


MCP1630 Sepic Automotive LED Driver Reference Design

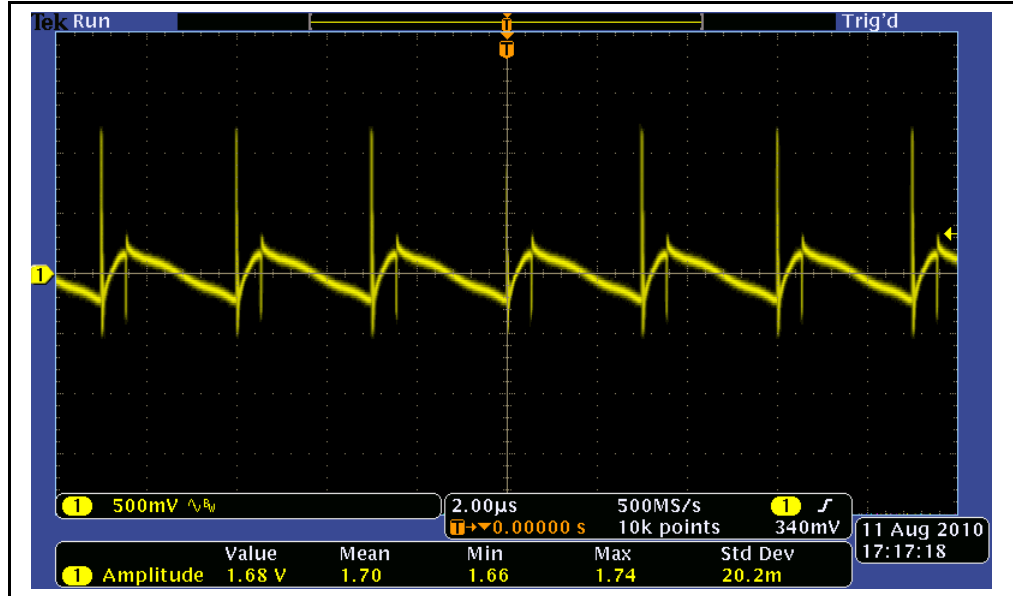
D.2.5 MOSFET DRAIN Signal (TP 6)



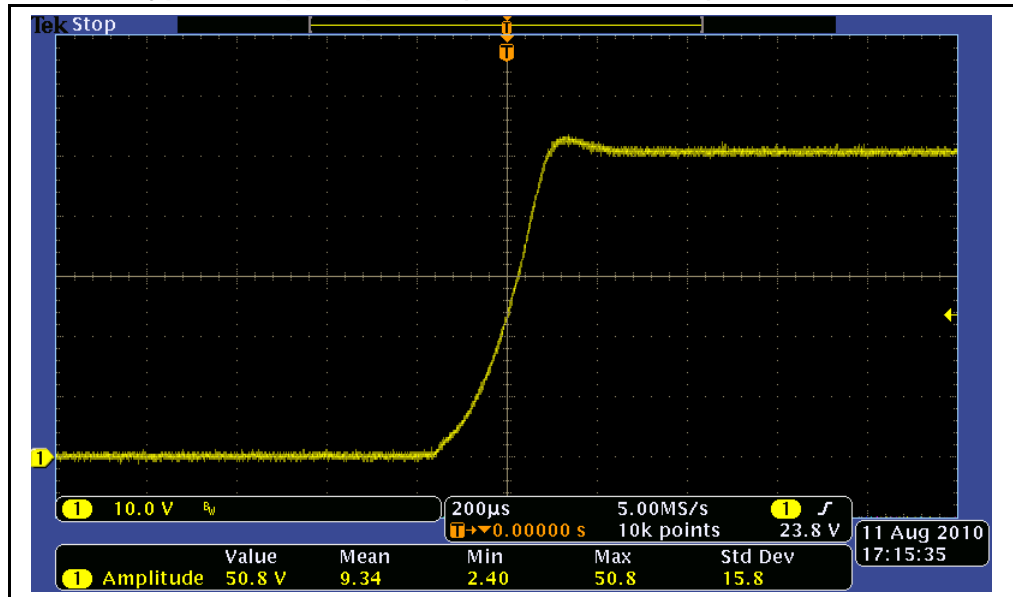
D.2.6 Main Inductor Current



D.2.7 Typical Output Ripple/Noise of the SEPIC Converter

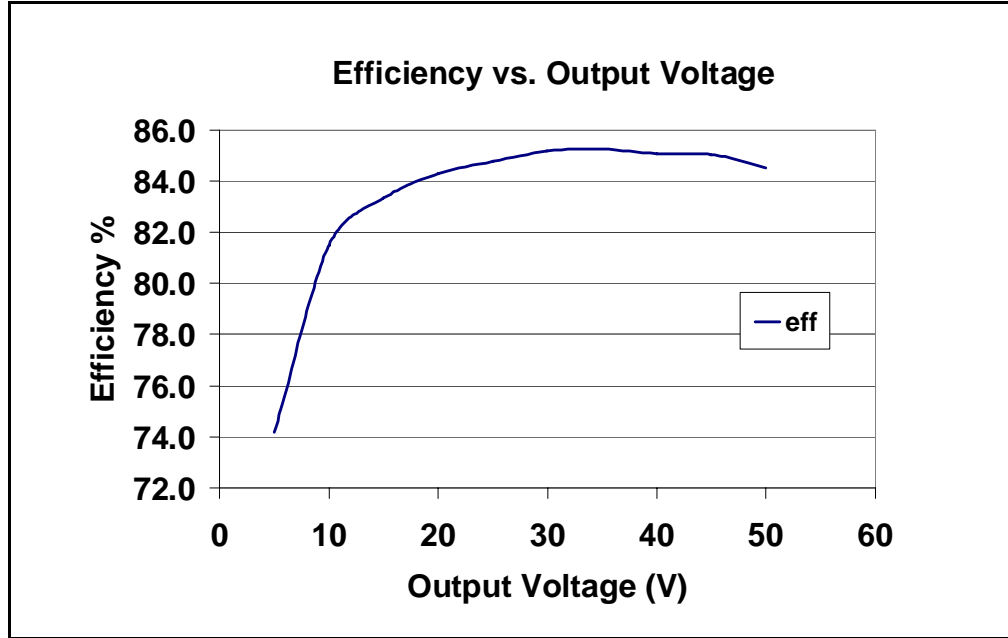


D.2.8 Typical Step Response (Zero to Full Load)



MCP1630 Sepic Automotive LED Driver Reference Design

D.2.9 Typical Efficiency vs Output Voltage



NOTES:



MICROCHIP

Worldwide Sales and Service

AMERICAS

Corporate Office
2355 West Chandler Blvd.
Chandler, AZ 85224-6199
Tel: 480-792-7200
Fax: 480-792-7277
Technical Support:
<http://www.microchip.com/support>
Web Address:
www.microchip.com

Atlanta
Duluth, GA
Tel: 678-957-9614
Fax: 678-957-1455

Boston
Westborough, MA
Tel: 774-760-0087
Fax: 774-760-0088

Chicago
Itasca, IL
Tel: 630-285-0071
Fax: 630-285-0075

Cleveland
Independence, OH
Tel: 216-447-0464
Fax: 216-447-0643

Dallas
Addison, TX
Tel: 972-818-7423
Fax: 972-818-2924

Detroit
Farmington Hills, MI
Tel: 248-538-2250
Fax: 248-538-2260

Indianapolis
Noblesville, IN
Tel: 317-773-8323
Fax: 317-773-5453

Los Angeles
Mission Viejo, CA
Tel: 949-462-9523
Fax: 949-462-9608

Santa Clara
Santa Clara, CA
Tel: 408-961-6444
Fax: 408-961-6445

Toronto
Mississauga, Ontario,
Canada
Tel: 905-673-0699
Fax: 905-673-6509

ASIA/PACIFIC

Asia Pacific Office
Suites 3707-14, 37th Floor
Tower 6, The Gateway
Harbour City, Kowloon
Hong Kong
Tel: 852-2401-1200
Fax: 852-2401-3431

Australia - Sydney
Tel: 61-2-9868-6733
Fax: 61-2-9868-6755

China - Beijing
Tel: 86-10-8569-7000
Fax: 86-10-8528-2104

China - Chengdu
Tel: 86-28-8665-5511
Fax: 86-28-8665-7889

China - Chongqing
Tel: 86-23-8980-9588
Fax: 86-23-8980-9500

China - Hangzhou
Tel: 86-571-2819-3187
Fax: 86-571-2819-3189

China - Hong Kong SAR
Tel: 852-2401-1200
Fax: 852-2401-3431

China - Nanjing
Tel: 86-25-8473-2460
Fax: 86-25-8473-2470

China - Qingdao
Tel: 86-532-8502-7355
Fax: 86-532-8502-7205

China - Shanghai
Tel: 86-21-5407-5533
Fax: 86-21-5407-5066

China - Shenyang
Tel: 86-24-2334-2829
Fax: 86-24-2334-2393

China - Shenzhen
Tel: 86-755-8203-2660
Fax: 86-755-8203-1760

China - Wuhan
Tel: 86-27-5980-5300
Fax: 86-27-5980-5118

China - Xian
Tel: 86-29-8833-7252
Fax: 86-29-8833-7256

China - Xiamen
Tel: 86-592-2388138
Fax: 86-592-2388130

China - Zhuhai
Tel: 86-756-3210040
Fax: 86-756-3210049

ASIA/PACIFIC

India - Bangalore
Tel: 91-80-3090-4444
Fax: 91-80-3090-4123

India - New Delhi
Tel: 91-11-4160-8631
Fax: 91-11-4160-8632

India - Pune
Tel: 91-20-2566-1512
Fax: 91-20-2566-1513

Japan - Yokohama
Tel: 81-45-471- 6166
Fax: 81-45-471-6122

Korea - Daegu
Tel: 82-53-744-4301
Fax: 82-53-744-4302

Korea - Seoul
Tel: 82-2-554-7200
Fax: 82-2-558-5932 or
82-2-558-5934

Malaysia - Kuala Lumpur
Tel: 60-3-6201-9857
Fax: 60-3-6201-9859

Malaysia - Penang
Tel: 60-4-227-8870
Fax: 60-4-227-4068

Philippines - Manila
Tel: 63-2-634-9065
Fax: 63-2-634-9069

Singapore
Tel: 65-6334-8870
Fax: 65-6334-8850

Taiwan - Hsin Chu
Tel: 886-3-5778-366
Fax: 886-3-5770-955

Taiwan - Kaohsiung
Tel: 886-7-536-4818
Fax: 886-7-330-9305

Taiwan - Taipei
Tel: 886-2-2500-6610
Fax: 886-2-2508-0102

Thailand - Bangkok
Tel: 66-2-694-1351
Fax: 66-2-694-1350

EUROPE

Austria - Wels
Tel: 43-7242-2244-39
Fax: 43-7242-2244-393

Denmark - Copenhagen
Tel: 45-4450-2828
Fax: 45-4485-2829

France - Paris
Tel: 33-1-69-53-63-20
Fax: 33-1-69-30-90-79

Germany - Munich
Tel: 49-89-627-144-0
Fax: 49-89-627-144-44

Italy - Milan
Tel: 39-0331-742611
Fax: 39-0331-466781

Netherlands - Drunen
Tel: 31-416-690399
Fax: 31-416-690340

Spain - Madrid
Tel: 34-91-708-08-90
Fax: 34-91-708-08-91

UK - Wokingham
Tel: 44-118-921-5869
Fax: 44-118-921-5820

08/02/11

Компания «Океан Электроники» предлагает заключение долгосрочных отношений при поставках импортных электронных компонентов на взаимовыгодных условиях!

Наши преимущества:

- Поставка оригинальных импортных электронных компонентов напрямую с производств Америки, Европы и Азии, а так же с крупнейших складов мира;
- Широкая линейка поставок активных и пассивных импортных электронных компонентов (более 30 млн. наименований);
- Поставка сложных, дефицитных, либо снятых с производства позиций;
- Оперативные сроки поставки под заказ (от 5 рабочих дней);
- Экспресс доставка в любую точку России;
- Помощь Конструкторского Отдела и консультации квалифицированных инженеров;
- Техническая поддержка проекта, помощь в подборе аналогов, поставка прототипов;
- Поставка электронных компонентов под контролем ВП;
- Система менеджмента качества сертифицирована по Международному стандарту ISO 9001;
- При необходимости вся продукция военного и аэрокосмического назначения проходит испытания и сертификацию в лаборатории (по согласованию с заказчиком);
- Поставка специализированных компонентов военного и аэрокосмического уровня качества (Xilinx, Altera, Analog Devices, Intersil, Interpoint, Microsemi, Actel, Aeroflex, Peregrine, VPT, Syfer, Eurofarad, Texas Instruments, MS Kennedy, Miteq, Cobham, E2V, MA-COM, Hittite, Mini-Circuits, General Dynamics и др.);

Компания «Океан Электроники» является официальным дистрибьютором и эксклюзивным представителем в России одного из крупнейших производителей разъемов военного и аэрокосмического назначения «JONHON», а так же официальным дистрибьютором и эксклюзивным представителем в России производителя высокотехнологичных и надежных решений для передачи СВЧ сигналов «FORSTAR».



JONHON

«JONHON» (основан в 1970 г.)

Разъемы специального, военного и аэрокосмического назначения:

(Применяются в военной, авиационной, аэрокосмической, морской, железнодорожной, горно- и нефтедобывающей отраслях промышленности)

«FORSTAR» (основан в 1998 г.)

ВЧ соединители, коаксиальные кабели,
кабельные сборки и микроволновые компоненты:

(Применяются в телекоммуникациях гражданского и специального назначения, в средствах связи, РЛС, а так же военной, авиационной и аэрокосмической отраслях промышленности).



Телефон: 8 (812) 309-75-97 (многоканальный)

Факс: 8 (812) 320-03-32

Электронная почта: ocean@oceanchips.ru

Web: <http://oceanchips.ru/>

Адрес: 198099, г. Санкт-Петербург, ул. Калинина, д. 2, корп. 4, лит. А