



# PCA9306

Dual bidirectional I<sup>2</sup>C-bus and SMBus voltage-level translator

Rev. 9 — 6 December 2019

Product data sheet

## 1. General description

---

The PCA9306 is a dual bidirectional I<sup>2</sup>C-bus and SMBus voltage-level translator with an enable (EN) input, and is operational from 1.0 V to 3.6 V ( $V_{\text{ref}(1)}$ ) and 1.8 V to 5.5 V ( $V_{\text{bias(ref)}(2)}$ ).

The PCA9306 allows bidirectional voltage translations between 1.0 V and 5 V without the use of a direction pin. The low ON-state resistance ( $R_{\text{on}}$ ) of the switch allows connections to be made with minimal propagation delay. When EN is HIGH, the translator switch is on, and the SCL1 and SDA1 I/O are connected to the SCL2 and SDA2 I/O, respectively, allowing bidirectional data flow between ports. When EN is LOW, the translator switch is off, and a high-impedance state exists between ports.

The PCA9306 is not a bus buffer like the PCA9509 or PCA9517A that provide both level translation and physically isolates the capacitance to either side of the bus when both sides are connected. The PCA9306 only isolates both sides when the device is disabled and provides voltage level translation when active.

The PCA9306 can also be used to run two buses, one at 400 kHz operating frequency and the other at 100 kHz operating frequency. If the two buses are operating at different frequencies, the 100 kHz bus must be isolated when the 400 kHz operation of the other bus is required. If the master is running at 400 kHz, the maximum system operating frequency may be less than 400 kHz because of the delays added by the translator.

As with the standard I<sup>2</sup>C-bus system, pull-up resistors are required to provide the logic HIGH levels on the translator's bus. The PCA9306 has a standard open-collector configuration of the I<sup>2</sup>C-bus. The size of these pull-up resistors depends on the system, but each side of the translator must have a pull-up resistor. The device is designed to work with Standard-mode, Fast-mode and Fast-mode Plus I<sup>2</sup>C-bus devices in addition to SMBus devices. The maximum frequency is dependent on the RC time constant, but generally supports > 2 MHz.

When the SDA1 or SDA2 port is LOW, the clamp is in the ON-state and a low resistance connection exists between the SDA1 and SDA2 ports. Assuming the higher voltage is on the SDA2 port when the SDA2 port is HIGH, the voltage on the SDA1 port is limited to the voltage set by VREF1. When the SDA1 port is HIGH, the SDA2 port is pulled to the drain pull-up supply voltage ( $V_{\text{pu(D)}}$ ) by the pull-up resistors. This functionality allows a seamless translation between higher and lower voltages selected by the user without the need for directional control. The SCL1/SCL2 channel also functions as the SDA1/SDA2 channel.



All channels have the same electrical characteristics and there is minimal deviation from one output to another in voltage or propagation delay. This is a benefit over discrete transistor voltage translation solutions, since the fabrication of the switch is symmetrical. The translator provides excellent ESD protection to lower voltage devices, and at the same time protects less ESD-resistant devices.

## 2. Features and benefits

- 2-bit bidirectional translator for SDA and SCL lines in mixed-mode I<sup>2</sup>C-bus applications
- Standard-mode, Fast-mode, and Fast-mode Plus I<sup>2</sup>C-bus and SMBus compatible
- Less than 1.5 ns maximum propagation delay to accommodate Standard-mode and Fast-mode I<sup>2</sup>C-bus devices and multiple masters
- Allows voltage level translation between:
  - ◆ 1.0 V  $V_{ref(1)}$  and 1.8 V, 2.5 V, 3.3 V or 5 V  $V_{bias(ref)(2)}$
  - ◆ 1.2 V  $V_{ref(1)}$  and 1.8 V, 2.5 V, 3.3 V or 5 V  $V_{bias(ref)(2)}$
  - ◆ 1.8 V  $V_{ref(1)}$  and 3.3 V or 5 V  $V_{bias(ref)(2)}$
  - ◆ 2.5 V  $V_{ref(1)}$  and 5 V  $V_{bias(ref)(2)}$
  - ◆ 3.3 V  $V_{ref(1)}$  and 5 V  $V_{bias(ref)(2)}$
- Provides bidirectional voltage translation with no direction pin
- Low 3.5  $\Omega$  ON-state connection between input and output ports provides less signal distortion
- Open-drain I<sup>2</sup>C-bus I/O ports (SCL1, SDA1, SCL2 and SDA2)
- 5 V tolerant I<sup>2</sup>C-bus I/O ports to support mixed-mode signal operation
- High-impedance SCL1, SDA1, SCL2 and SDA2 pins for EN = LOW
- Lock-up free operation
- Flow through pinout for ease of printed-circuit board trace routing
- ESD protection exceeds 2000 V HBM per JESD22-A114 and 1000 V CDM per JESD22-C101
- Packages offered: SO8, TSSOP8, VSSOP8, XQFN8, XSON8, XSON8U

### 3. Ordering information

**Table 1. Ordering information**

$T_{amb} = -40\text{ °C to }+105\text{ °C}$ .

Type number	Topside mark	Package		
		Name	Description	Version
PCA9306D	PCA9306	SO8	plastic small outline package; 8 leads; body width 3.9 mm	SOT96-1
PCA9306DC <sup>[6]</sup>	306C	VSSOP8	plastic very thin shrink small outline package; 8 leads; body width 2.3 mm	SOT765-1
PCA9306DC1 <sup>[1]</sup>	P06	VSSOP8	plastic very thin shrink small outline package; 8 leads; body width 2.3 mm	SOT765-1
PCA9306DC1/DG <sup>[2]</sup>	P06	VSSOP8	plastic very thin shrink small outline package; 8 leads; body width 2.3 mm	SOT765-1
PCA9306DP	306P	TSSOP8 <sup>[3]</sup>	plastic thin shrink small outline package; 8 leads; body width 3 mm	SOT505-1
PCA9306DP1 <sup>[4]</sup>	306T	TSSOP8	plastic thin shrink small outline package; 8 leads; body width 3 mm; lead length 0.5 mm	SOT505-2
PCA9306GD1 <sup>[7]</sup>	P06	XSON8U	plastic extremely thin small outline package; no leads; 8 terminals; UTLP based; body 3 × 2 × 0.5 mm	SOT996-2
PCA9306GF <sup>[8]</sup>	06	XSON8	extremely thin small outline package; no leads; 8 terminals; body 1.35 × 1 × 0.5 mm	SOT1089
PCA9306GM	P6X <sup>[5]</sup>	XQFN8	plastic extremely thin quad flat package; no leads; 8 terminals; body 1.6 × 1.6 × 0.5 mm	SOT902-2

[1] Same footprint and pinout as the Texas Instruments PCA9306DCU.

[2] PCA9306DC1/DG is functionally the same (electrically and mechanically) as the PCA9306DC1 and the Texas Instruments PCA9306DCU. It is produced in Dark Green (lead-free and halogen/antimony-free) package material, with a unique orderable part number for customers who desire to order and only receive Dark Green package material.

[3] Also known as MSOP8.

[4] Same footprint and pinout as the Texas Instruments PCA9306DCT.

[5] 'X' will change based on date code.

[6] Device is in discontinuation status - 201902016DN. Last time buy 31 Dec 2019 and last time ship 30 Jun 2020.

[7] Device is in discontinuation status - 201905028DN. Last time buy 1 Mar 2020 and last time ship 1 Jun 2020 - PCA9306DC1 or DC1/DG are drop in replacements.

[8] Device is not recommended for new design since SOT1089 manufacturing capacity will be unavailable in early 2021.

#### 3.1 Ordering options

**Table 2. Ordering options**

Type number	Orderable part number	Package	Packing method	Minimum order quantity	Temperature
PCA9306D	PCA9306D,118	SO8	Reel 13" Q1/T1 *standard mark SMD	2500	$T_{amb} = -40\text{ °C to }+105\text{ °C}$
PCA9306DC	PCA9306DC,125	VSSOP8	Reel 7" Q3/T4 *standard mark	3000	$T_{amb} = -40\text{ °C to }+105\text{ °C}$
PCA9306DC1	PCA9306DC1,125	VSSOP8	Reel 7" Q3/T4 *standard mark	3000	$T_{amb} = -40\text{ °C to }+105\text{ °C}$
PCA9306DC1/DG	PCA9306DC1/DG,125	VSSOP8	Reel 7" Q3/T4 *standard mark	3000	$T_{amb} = -40\text{ °C to }+105\text{ °C}$

Table 2. Ordering options ...continued

Type number	Orderable part number	Package	Packing method	Minimum order quantity	Temperature
PCA9306DP	PCA9306DP,118	TSSOP8	Reel 13" Q1/T1 *standard mark SMD	2500	T <sub>amb</sub> = -40 °C to +105 °C
PCA9306DP1	PCA9306DP1,125	TSSOP8	Reel 7" Q3/T4 *standard mark	3000	T <sub>amb</sub> = -40 °C to +105 °C
PCA9306GD1	PCA9306GD1,125	XSON8U	Reel 7" Q3/T4 *standard mark	3000	T <sub>amb</sub> = -40 °C to +105 °C
PCA9306GF	PCA9306GF,115	XSON8	Reel 7" Q1/T1 *standard mark SMD	5000	T <sub>amb</sub> = -40 °C to +105 °C
PCA9306GM	PCA9306GM,125	XQFN8	Reel 7" Q3/T4 *standard mark	4000	T <sub>amb</sub> = -40 °C to +105 °C

## 4. Functional diagram

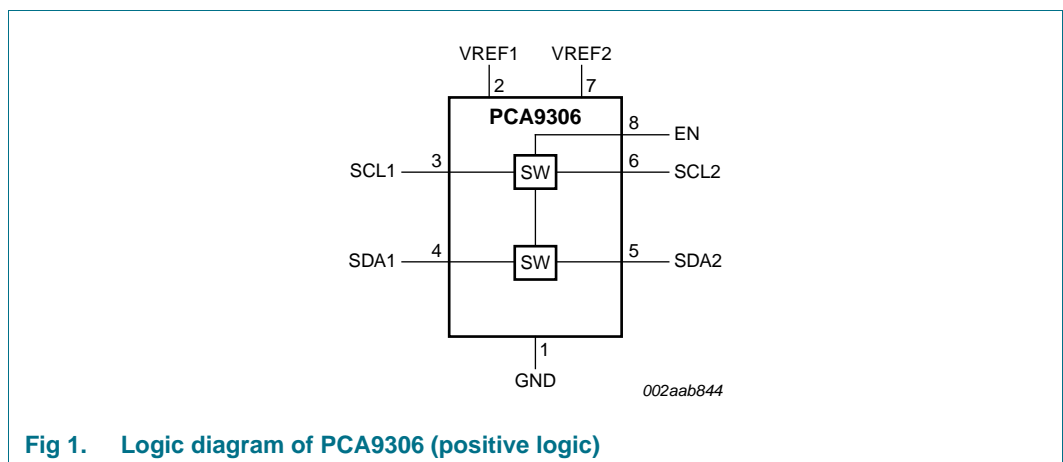


Fig 1. Logic diagram of PCA9306 (positive logic)

## 5. Pinning information

### 5.1 Pinning

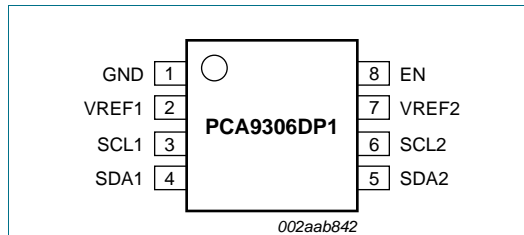


Fig 2. Pin configuration for TSSOP8 (DP1)

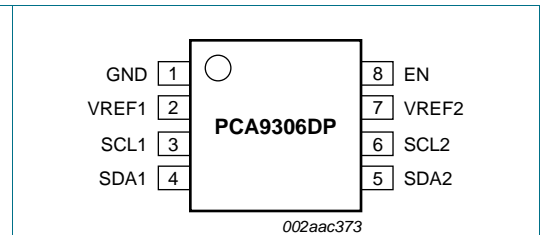


Fig 3. Pin configuration for TSSOP8 (DP) (MSOP8)

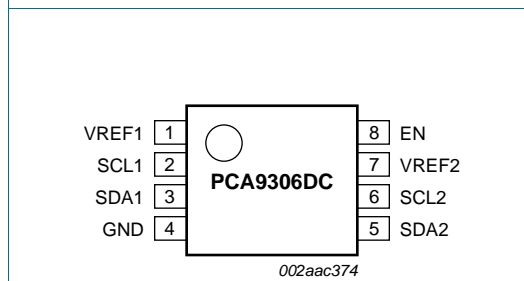


Fig 4. Pin configuration for VSSOP8 (DC)

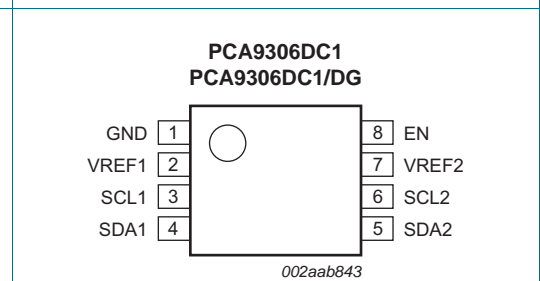


Fig 5. Pin configuration for VSSOP8 (DC1; DC1/DG)

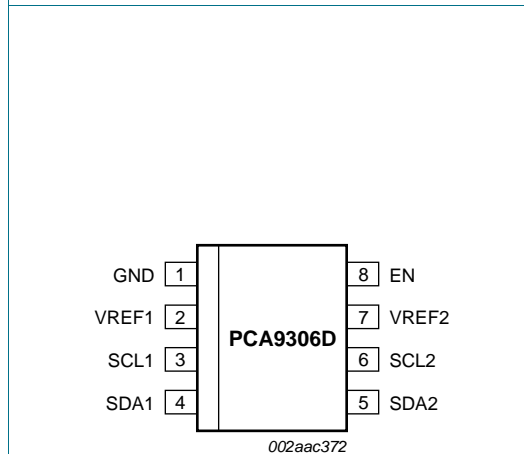


Fig 6. Pin configuration for SO8

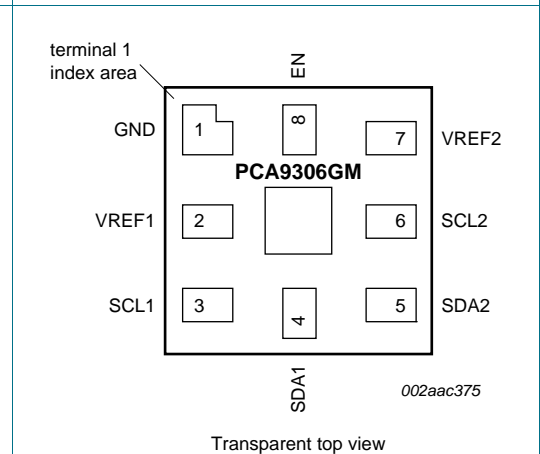
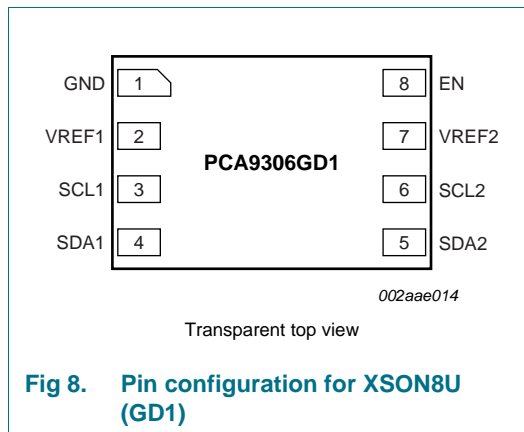
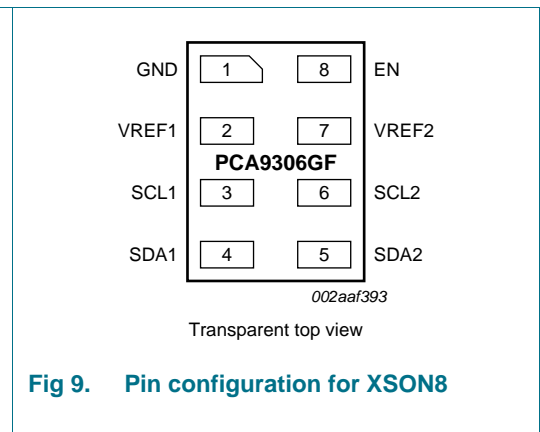


Fig 7. Pin configuration for XQFN8



**Fig 8. Pin configuration for XSON8U (GD1)**



**Fig 9. Pin configuration for XSON8**

## 5.2 Pin description

**Table 3. Pin description**

Symbol	Pin		Description
	SO8, TSSOP8 (MSOP8), TSSOP8, VSSOP8 (DC1), XQFN8, XSON8, XSON8U (GD1)	VSSOP8 (DC)	
GND	1	4	ground (0 V)
VREF1	2	1	low-voltage side reference supply voltage for SCL1 and SDA1
SCL1	3	2	serial clock, low-voltage side; connect to VREF1 through a pull-up resistor
SDA1	4	3	serial data, low-voltage side; connect to VREF1 through a pull-up resistor
SDA2	5	5	serial data, high-voltage side; connect to VREF2 through a pull-up resistor
SCL2	6	6	serial clock, high-voltage side; connect to VREF2 through a pull-up resistor
VREF2	7	7	high-voltage side reference supply voltage for SCL2 and SDA2
EN	8	8	switch enable input; connect to VREF2 and pull-up through a high resistor

## 6. Functional description

Refer to [Figure 1 “Logic diagram of PCA9306 \(positive logic\)”](#).

### 6.1 Function table

**Table 4. Function selection (example)**

*H = HIGH level; L = LOW level.*

Input EN <sup>[1]</sup>	Function
H	SCL1 = SCL2; SDA1 = SDA2
L	disconnect

[1] EN is controlled by the  $V_{\text{bias(ref)(2)}}$  logic levels and should be at least 1 V higher than  $V_{\text{ref(1)}}$  for best translator operation.

## 7. Limiting values

**Table 5. Limiting values**

*In accordance with the Absolute Maximum Rating System (IEC 60134).*

*Over operating free-air temperature range.*

Symbol	Parameter	Conditions	Min	Max	Unit
$V_{\text{ref(1)}}$	reference voltage (1)		-0.5	+6	V
$V_{\text{bias(ref)(2)}}$	reference bias voltage (2)		-0.5	+6	V
$V_{\text{I}}$	input voltage		-0.5 <sup>[1]</sup>	+6	V
$V_{\text{I/O}}$	voltage on an input/output pin		-0.5 <sup>[1]</sup>	+6	V
$I_{\text{ch}}$	channel current (DC)		-	128	mA
$I_{\text{IK}}$	input clamping current	$V_{\text{I}} < 0 \text{ V}$	-	-50	mA
$T_{\text{stg}}$	storage temperature		-65	+150	°C

[1] The input and input/output negative voltage ratings may be exceeded if the input and input/output clamp current ratings are observed.

## 8. Recommended operating conditions

**Table 6. Operating conditions**

Symbol	Parameter	Conditions	Min	Max	Unit
$V_{\text{I/O}}$	voltage on an input/output pin	SCL1, SDA1, SCL2, SDA2	0	5	V
$V_{\text{ref(1)}}$ <sup>[1]</sup>	reference voltage (1)	VREF1	0	5	V
$V_{\text{bias(ref)(2)}}$ <sup>[1]</sup>	reference bias voltage (2)	VREF2	0	5	V
$V_{\text{I(EN)}}$	input voltage on pin EN		0	5	V
$I_{\text{sw(pass)}}$	pass switch current		-	64	mA
$T_{\text{amb}}$	ambient temperature	operating in free-air	-40	+105	°C

[1]  $V_{\text{ref(1)}} \leq V_{\text{bias(ref)(2)}} - 1 \text{ V}$  for best results in level shifting applications.

## 9. Static characteristics

**Table 7. Static characteristics**

$T_{amb} = -40\text{ }^{\circ}\text{C}$  to  $+105\text{ }^{\circ}\text{C}$ , unless otherwise specified.

Symbol	Parameter	Conditions	Min	Typ <sup>[1]</sup>	Max	Unit
$V_{IK}$	input clamping voltage	$I_I = -18\text{ mA}$ ; $V_{I(EN)} = 0\text{ V}$	-	-	-1.2	V
$I_{IH}$	HIGH-level input current	$V_I = 5\text{ V}$ ; $V_{I(EN)} = 0\text{ V}$	-	-	5	$\mu\text{A}$
$C_{i(EN)}$	input capacitance on pin EN	$V_I = 3\text{ V}$ or $0\text{ V}$	-	7.1	-	pF
$C_{io(off)}$	off-state input/output capacitance	SCLn, SDAn; $V_O = 3\text{ V}$ or $0\text{ V}$ ; $V_{I(EN)} = 0\text{ V}$	-	4	6	pF
$C_{io(on)}$	on-state input/output capacitance	SCLn, SDAn; $V_O = 3\text{ V}$ or $0\text{ V}$ ; $V_{I(EN)} = 3\text{ V}$	-	9.3	12.5	pF
$R_{on}$	ON-state resistance <sup>[2]</sup>	SCLn, SDAn; $V_I = 0\text{ V}$ ; $I_O = 64\text{ mA}$				
		$V_{I(EN)} = 4.5\text{ V}$	-	2.4	5.0	$\Omega$
		$V_{I(EN)} = 3\text{ V}$	-	3.0	6.0	$\Omega$
		$V_{I(EN)} = 2.3\text{ V}$	-	3.8	8.0	$\Omega$
		$V_{I(EN)} = 1.5\text{ V}$	-	15	32	$\Omega$
		$V_{I(EN)} = 1.5\text{ V}$	<sup>[4]</sup> -	32	80	$\Omega$
		$V_I = 2.4\text{ V}$ ; $I_O = 15\text{ mA}$				
		$V_{I(EN)} = 4.5\text{ V}$	-	4.8	7.5	$\Omega$
		$V_{I(EN)} = 3\text{ V}$	-	46	80	$\Omega$
		$V_I = 1.7\text{ V}$ ; $I_O = 15\text{ mA}$				
		$V_{I(EN)} = 2.3\text{ V}$	-	40	80	$\Omega$

[1] All typical values are at  $T_{amb} = 25\text{ }^{\circ}\text{C}$ .

[2] Measured by the voltage drop between the SCL1 and SCL2, or SDA1 and SDA2 terminals at the indicated current through the switch. ON-state resistance is determined by the lowest voltage of the two terminals.

[3] Guaranteed by design.

[4] For DC, DC1 (VSSOP8) and GD1 (XSON8U) packages only.



## 10. Dynamic characteristics

**Table 8. Dynamic characteristics (translating down)**

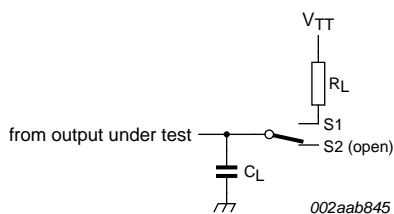
$T_{amb} = -40\text{ }^{\circ}\text{C}$  to  $+105\text{ }^{\circ}\text{C}$ , unless otherwise specified. Values guaranteed by design.

Symbol	Parameter	Conditions	$C_L = 50\text{ pF}$		$C_L = 30\text{ pF}$		$C_L = 15\text{ pF}$		Unit
			Min	Max	Min	Max	Min	Max	
<b><math>V_{I(EN)} = 3.3\text{ V}</math>; <math>V_{IH} = 3.3\text{ V}</math>; <math>V_{IL} = 0\text{ V}</math>; <math>V_M = 1.15\text{ V}</math> (see Figure 10)</b>									
$t_{PLH}$	LOW to HIGH propagation delay	from (input) SCL2 or SDA2 to (output) SCL1 or SDA1	0	2.0	0	1.2	0	0.6	ns
$t_{PHL}$	HIGH to LOW propagation delay	from (input) SCL2 or SDA2 to (output) SCL1 or SDA1	0	2.0	0	1.5	0	0.75	ns
<b><math>V_{I(EN)} = 2.5\text{ V}</math>; <math>V_{IH} = 2.5\text{ V}</math>; <math>V_{IL} = 0\text{ V}</math>; <math>V_M = 0.75\text{ V}</math> (see Figure 10)</b>									
$t_{PLH}$	LOW to HIGH propagation delay	from (input) SCL2 or SDA2 to (output) SCL1 or SDA1	0	2.0	0	1.2	0	0.6	ns
$t_{PHL}$	HIGH to LOW propagation delay	from (input) SCL2 or SDA2 to (output) SCL1 or SDA1	0	2.5	0	1.5	0	0.75	ns

**Table 9. Dynamic characteristics (translating up)**

$T_{amb} = -40\text{ }^{\circ}\text{C}$  to  $+105\text{ }^{\circ}\text{C}$ , unless otherwise specified. Values guaranteed by design.

Symbol	Parameter	Conditions	$C_L = 50\text{ pF}$		$C_L = 30\text{ pF}$		$C_L = 15\text{ pF}$		Unit
			Min	Max	Min	Max	Min	Max	
<b><math>V_{I(EN)} = 3.3\text{ V}</math>; <math>V_{IH} = 2.3\text{ V}</math>; <math>V_{IL} = 0\text{ V}</math>; <math>V_{TT} = 3.3\text{ V}</math>; <math>V_M = 1.15\text{ V}</math>; <math>R_L = 300\text{ }\Omega</math> (see Figure 10)</b>									
$t_{PLH}$	LOW to HIGH propagation delay	from (input) SCL1 or SDA1 to (output) SCL2 or SDA2	0	1.75	0	1.0	0	0.5	ns
$t_{PHL}$	HIGH to LOW propagation delay	from (input) SCL1 or SDA1 to (output) SCL2 or SDA2	0	2.75	0	1.65	0	0.8	ns
<b><math>V_{I(EN)} = 2.5\text{ V}</math>; <math>V_{IH} = 1.5\text{ V}</math>; <math>V_{IL} = 0\text{ V}</math>; <math>V_{TT} = 2.5\text{ V}</math>; <math>V_M = 0.75\text{ V}</math>; <math>R_L = 300\text{ }\Omega</math> (see Figure 10)</b>									
$t_{PLH}$	LOW to HIGH propagation delay	from (input) SCL1 or SDA1 to (output) SCL2 or SDA2	0	1.75	0	1.0	0	0.5	ns
$t_{PHL}$	HIGH to LOW propagation delay	from (input) SCL1 or SDA1 to (output) SCL2 or SDA2	0	3.3	0	2.0	0	1.0	ns



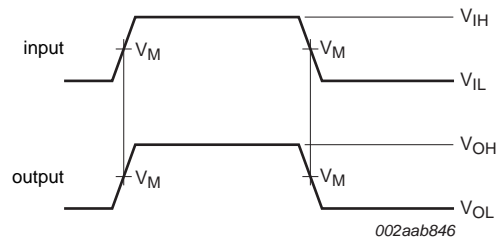
a. Load circuit

S1 = translating up; S2 = translating down.

$C_L$  includes probe and jig capacitance.

All input pulses are supplied by generators having the following characteristics:  $PRR \leq 10\text{ MHz}$ ;  $Z_o = 50\text{ }\Omega$ ;  $t_r \leq 2\text{ ns}$ ;  $t_f \leq 2\text{ ns}$ .

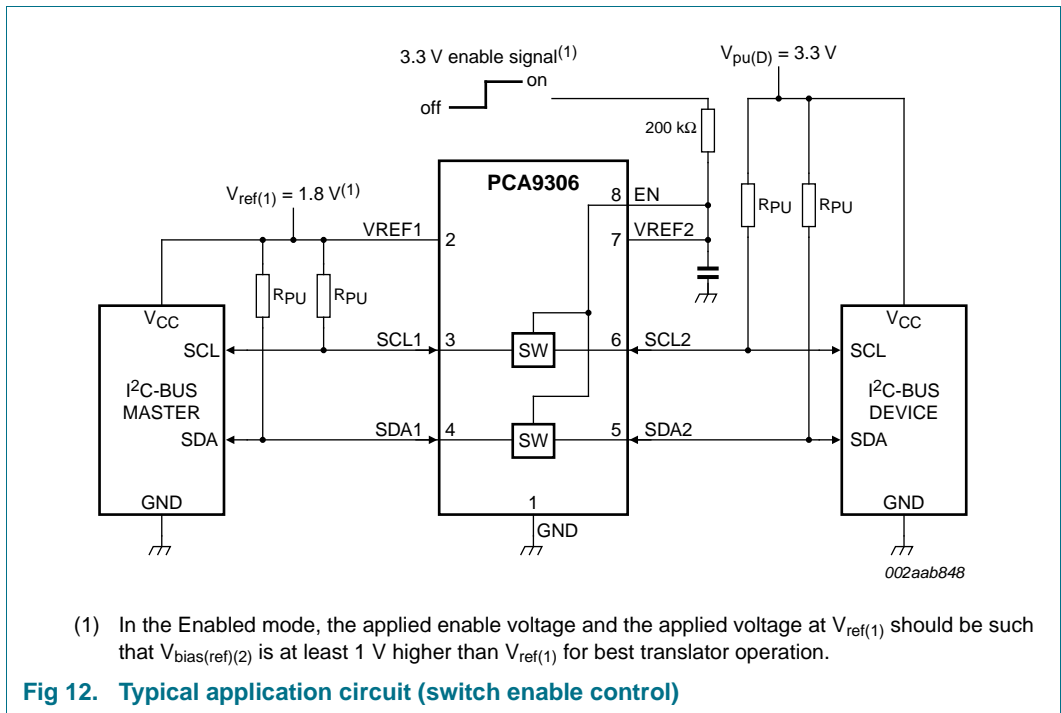
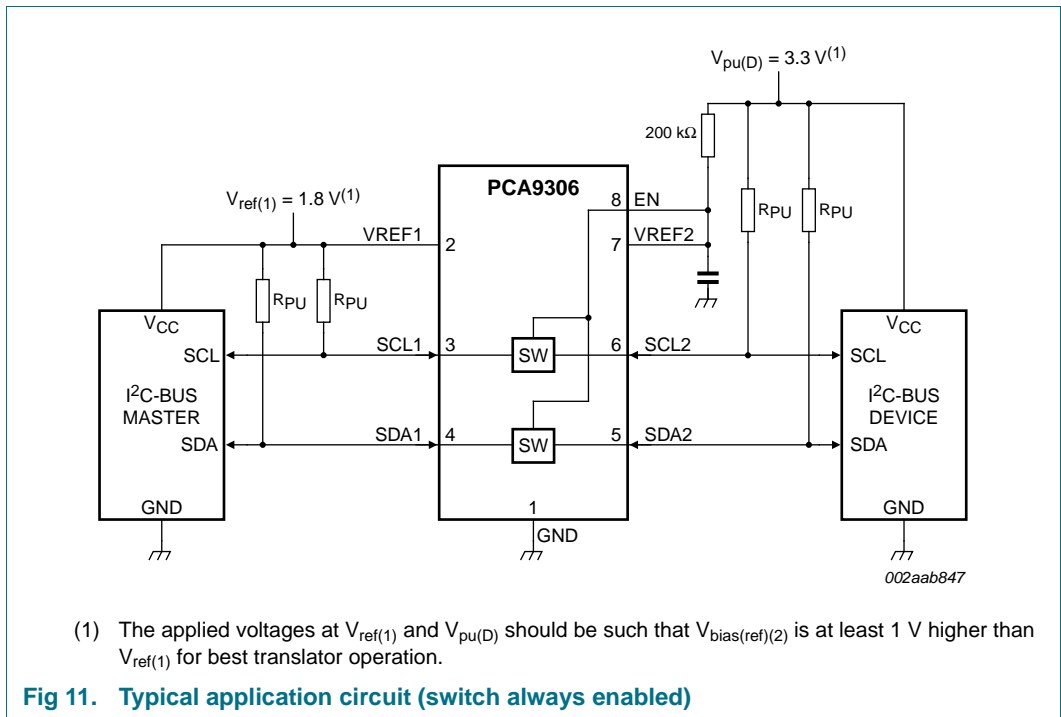
The outputs are measured one at a time, with one transition per measurement.



b. Timing diagram

**Fig 10. Load circuit for outputs**

### 11. Application information



## 11.1 Bidirectional translation

For the bidirectional clamping configuration (higher voltage to lower voltage or lower voltage to higher voltage), the EN input must be connected to VREF2 and both pins pulled to HIGH side  $V_{pu(D)}$  through a pull-up resistor (typically 200 k $\Omega$ ). This allows VREF2 to regulate the EN input. A filter capacitor on VREF2 is recommended. The I<sup>2</sup>C-bus master output can be totem pole or open-drain (pull-up resistors may be required) and the I<sup>2</sup>C-bus device output can be totem pole or open-drain (pull-up resistors are required to pull the SCL2 and SDA2 outputs to  $V_{pu(D)}$ ). However, if either output is totem pole, data must be unidirectional or the outputs must be 3-stateable and be controlled by some direction-control mechanism to prevent HIGH-to-LOW contentions in either direction. If both outputs are open-drain, no direction control is needed.

The reference supply voltage ( $V_{ref(1)}$ ) is connected to the processor core power supply voltage. When VREF2 is connected through a 200 k $\Omega$  resistor to a 3.3 V to 5.5 V  $V_{pu(D)}$  power supply, and  $V_{ref(1)}$  is set between 1.0 V and ( $V_{pu(D)} - 1$  V), the output of each SCL1 and SDA1 has a maximum output voltage equal to  $V_{ref(1)}$ , and the output of each SCL2 and SDA2 has a maximum output voltage equal to  $V_{pu(D)}$ .

**Table 10. Application operating conditions**

Refer to [Figure 11](#).

Symbol	Parameter	Conditions	Min	Typ <sup>[1]</sup>	Max	Unit
$V_{bias(ref)(2)}$	reference bias voltage (2)		$V_{ref(1)} + 0.6$	2.1	5	V
$V_{I(EN)}$	input voltage on pin EN		$V_{ref(1)} + 0.6$	2.1	5	V
$V_{ref(1)}$	reference voltage (1)		0	1.5	4.4	V
$I_{sw(pass)}$	pass switch current		-	14	-	mA
$I_{ref}$	reference current	transistor	-	5	-	$\mu$ A
$T_{amb}$	ambient temperature	operating in free-air	-40	-	+105	$^{\circ}$ C

[1] All typical values are at  $T_{amb} = 25$   $^{\circ}$ C.

## 11.2 How to size pull-up resistor value

Sizing the pull-up resistor on an open-drain bus is specific to the individual application and is dependent on the following driver characteristics:

- The driver sink current
- The  $V_{OL}$  of driver
- The  $V_{IL}$  of the driver
- Frequency of operation

The following tables can be used to estimate the pull-up resistor value in different use cases so that the minimum resistance for the pull-up resistor can be found.

[Table 11](#), [Table 12](#) and [Table 13](#) contain suggested minimum values of pull-up resistors for the PCA9306 and NVT20xx devices with typical voltage translation levels and drive currents. The calculated values assume that both drive currents are the same.

$V_{OL} = V_{IL} = 0.1 \times V_{CC}$  and accounts for a  $\pm 5$  %  $V_{CC}$  tolerance of the supplies,  $\pm 1$  % resistor values. It should be noted that the resistor chosen in the final application should be equal to or larger than the values shown in [Table 11](#), [Table 12](#) and [Table 13](#) to ensure that the pass voltage is less than 10 % of the  $V_{CC}$  voltage, and the external driver should

Dual bidirectional I<sup>2</sup>C-bus and SMBus voltage-level translator

be able to sink the total current from both pull-up resistors. When selecting the minimum resistor value in [Table 11](#), [Table 12](#) or [Table 13](#), the drive current strength that should be chosen should be the lowest drive current seen in the application and account for any drive strength current scaling with output voltage. For the GTL devices, the resistance table should be recalculated to account for the difference in ON resistance and bias voltage limitations between  $V_{CC(B)}$  and  $V_{CC(A)}$ .

**Table 11. Pull-up resistor minimum values, 3 mA driver sink current for PCA9306 and NVT20xx**

A-side	B-side					
	1.2 V	1.5 V	1.8 V	2.5 V	3.3 V	5.0 V
1.0 V	$R_{pu(A)} = 750 \Omega$	$R_{pu(A)} = 845 \Omega$	$R_{pu(A)} = 976 \Omega$	$R_{pu(A)} = \text{none}$	$R_{pu(A)} = \text{none}$	$R_{pu(A)} = \text{none}$
	$R_{pu(B)} = 750 \Omega$	$R_{pu(B)} = 845 \Omega$	$R_{pu(B)} = 976 \Omega$	$R_{pu(B)} = 887 \Omega$	$R_{pu(B)} = 1.18 \text{ k}\Omega$	$R_{pu(B)} = 1.82 \text{ k}\Omega$
1.2 V		$R_{pu(A)} = 931 \Omega$	$R_{pu(A)} = 1.02 \text{ k}\Omega$	$R_{pu(A)} = \text{none}$	$R_{pu(A)} = \text{none}$	$R_{pu(A)} = \text{none}$
		$R_{pu(B)} = 931 \Omega$	$R_{pu(B)} = 1.02 \text{ k}\Omega$	$R_{pu(B)} = 887 \Omega$	$R_{pu(B)} = 1.18 \text{ k}\Omega$	$R_{pu(B)} = 1.82 \text{ k}\Omega$
1.5 V			$R_{pu(A)} = 1.1 \text{ k}\Omega$	$R_{pu(A)} = \text{none}$	$R_{pu(A)} = \text{none}$	$R_{pu(A)} = \text{none}$
			$R_{pu(B)} = 1.1 \text{ k}\Omega$	$R_{pu(B)} = 866 \Omega$	$R_{pu(B)} = 1.18 \text{ k}\Omega$	$R_{pu(B)} = 1.78 \text{ k}\Omega$
1.8 V				$R_{pu(A)} = 1.47 \text{ k}\Omega$	$R_{pu(A)} = \text{none}$	$R_{pu(A)} = \text{none}$
				$R_{pu(B)} = 1.47 \text{ k}\Omega$	$R_{pu(B)} = 1.15 \text{ k}\Omega$	$R_{pu(B)} = 1.78 \text{ k}\Omega$
2.5 V					$R_{pu(A)} = 1.96 \text{ k}\Omega$	$R_{pu(A)} = \text{none}$
					$R_{pu(B)} = 1.96 \text{ k}\Omega$	$R_{pu(B)} = 1.78 \text{ k}\Omega$
3.3 V						$R_{pu(A)} = \text{none}$
						$R_{pu(B)} = 1.74 \text{ k}\Omega$

**Table 12. Pull-up resistor minimum values, 10 mA driver sink current for PCA9306 and NVT20xx**

A-side	B-side					
	1.2 V	1.5 V	1.8 V	2.5 V	3.3 V	5.0 V
1.0 V	$R_{pu(A)} = 221 \Omega$	$R_{pu(A)} = 255 \Omega$	$R_{pu(A)} = 287 \Omega$	$R_{pu(A)} = \text{none}$	$R_{pu(A)} = \text{none}$	$R_{pu(A)} = \text{none}$
	$R_{pu(B)} = 221 \Omega$	$R_{pu(B)} = 255 \Omega$	$R_{pu(B)} = 287 \Omega$	$R_{pu(B)} = 267 \Omega$	$R_{pu(B)} = 357 \Omega$	$R_{pu(B)} = 549 \Omega$
1.2 V		$R_{pu(A)} = 274 \Omega$	$R_{pu(A)} = 309 \Omega$	$R_{pu(A)} = \text{none}$	$R_{pu(A)} = \text{none}$	$R_{pu(A)} = \text{none}$
		$R_{pu(B)} = 274 \Omega$	$R_{pu(B)} = 309 \Omega$	$R_{pu(B)} = 267 \Omega$	$R_{pu(B)} = 357 \Omega$	$R_{pu(B)} = 549 \Omega$
1.5 V			$R_{pu(A)} = 332 \Omega$	$R_{pu(A)} = \text{none}$	$R_{pu(A)} = \text{none}$	$R_{pu(A)} = \text{none}$
			$R_{pu(B)} = 332 \Omega$	$R_{pu(B)} = 261 \Omega$	$R_{pu(B)} = 348 \Omega$	$R_{pu(B)} = 536 \Omega$
1.8 V				$R_{pu(A)} = 442 \Omega$	$R_{pu(A)} = \text{none}$	$R_{pu(A)} = \text{none}$
				$R_{pu(B)} = 442 \Omega$	$R_{pu(B)} = 348 \Omega$	$R_{pu(B)} = 536 \Omega$
2.5 V					$R_{pu(A)} = 590 \Omega$	$R_{pu(A)} = \text{none}$
					$R_{pu(B)} = 590 \Omega$	$R_{pu(B)} = 523 \Omega$
3.3 V						$R_{pu(A)} = \text{none}$
						$R_{pu(B)} = 523 \Omega$

Table 13. Pull-up resistor minimum values, 15 mA driver sink current for PCA9306 and NVT20xx

A-side	B-side					
	1.2 V	1.5 V	1.8 V	2.5 V	3.3 V	5.0 V
1.0 V	R <sub>pu(A)</sub> = 147 Ω	R <sub>pu(A)</sub> = 169 Ω	R <sub>pu(A)</sub> = 191 Ω	R <sub>pu(A)</sub> = none	R <sub>pu(A)</sub> = none	R <sub>pu(A)</sub> = none
	R <sub>pu(B)</sub> = 147 Ω	R <sub>pu(B)</sub> = 169 Ω	R <sub>pu(B)</sub> = 191 Ω	R <sub>pu(B)</sub> = 178 Ω	R <sub>pu(B)</sub> = 237 Ω	R <sub>pu(B)</sub> = 365 Ω
1.2 V		R <sub>pu(A)</sub> = 182 Ω	R <sub>pu(A)</sub> = 205 Ω	R <sub>pu(A)</sub> = none	R <sub>pu(A)</sub> = none	R <sub>pu(A)</sub> = none
		R <sub>pu(B)</sub> = 182 Ω	R <sub>pu(B)</sub> = 205 Ω	R <sub>pu(B)</sub> = 178 Ω	R <sub>pu(B)</sub> = 237 Ω	R <sub>pu(B)</sub> = 365 Ω
1.5 V			R <sub>pu(A)</sub> = 221 Ω	R <sub>pu(A)</sub> = none	R <sub>pu(A)</sub> = none	R <sub>pu(A)</sub> = none
			R <sub>pu(B)</sub> = 221 Ω	R <sub>pu(B)</sub> = 174 Ω	R <sub>pu(B)</sub> = 232 Ω	R <sub>pu(B)</sub> = 357 Ω
1.8 V				R <sub>pu(A)</sub> = 294 Ω	R <sub>pu(A)</sub> = none	R <sub>pu(A)</sub> = none
				R <sub>pu(B)</sub> = 294 Ω	R <sub>pu(B)</sub> = 232 Ω	R <sub>pu(B)</sub> = 357 Ω
2.5 V					R <sub>pu(A)</sub> = 392 Ω	R <sub>pu(A)</sub> = none
					R <sub>pu(B)</sub> = 392 Ω	R <sub>pu(B)</sub> = 357 Ω
3.3 V						R <sub>pu(A)</sub> = none R <sub>pu(B)</sub> = 348 Ω

### 11.3 How to design for maximum frequency operation

The maximum frequency is limited by the minimum pulse width LOW and HIGH as well as rise time and fall time. See Equation 1 as an example of the maximum frequency. The rise and fall times are shown in Figure 13.

$$f_{max} = \frac{1}{t_{LOW(min)} + t_{HIGH(min)} + t_{r(actual)} + t_{f(actual)}} \tag{1}$$

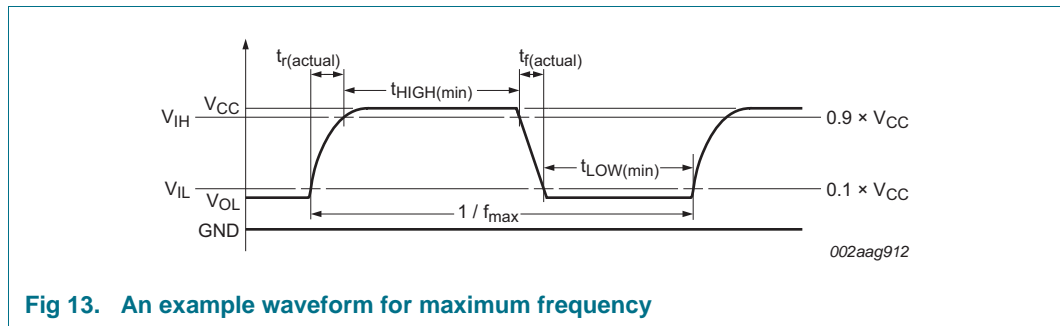


Fig 13. An example waveform for maximum frequency

The rise and fall times are dependent upon translation voltages, the drive strength, the total node capacitance (C<sub>L(tot)</sub>) and the pull-up resistors (R<sub>PU</sub>) that are present on the bus. The node capacitance is the addition of the PCB trace capacitance and the device capacitance that exists on the bus. Because of the dependency of the external components, PCB layout and the different device operating states the calculation of rise and fall times is complex and has several inflection points along the curve.

The main component of the rise and fall times is the RC time constant of the bus line when the device is in its two primary operating states: when device is in the ON state and it is low-impedance, the other is when the device is OFF isolating the A-side from the B-side.

A description of the fall time applied to either An or Bn output going from HIGH to LOW is as follows. Whichever side is asserted first, the B-side down must discharge to the V<sub>CC(A)</sub> voltage. The time is determined by the pull-up resistor, pull-down driver strength and the

capacitance. As the level moves below the  $V_{CC(A)}$  voltage, the channel resistance drops so that both A and B sides equal. The capacitance on both sides is connected to form the total capacitance and the pull-up resistors on both sides combine to the parallel equivalent resistance. The  $R_{on}$  of the device is small compared to the pull-up resistor values, so its effect on the pull-up resistance can be neglected and the fall is determined by the driver pulling the combined capacitance and pull-up resistor currents. An estimation of the actual fall time seen by the device is equal to the time it takes for the B-side to fall to the  $V_{CC(A)}$  voltage and the time it takes for both sides to fall from the  $V_{CC(A)}$  voltage to the  $V_{IL}$  level.

A description of the rise time applied to either An or Bn output going from LOW to HIGH is as follows. When the signal level is LOW, the  $R_{on}$  is at its minimum, so the A and B sides are essentially one node. They will rise together with an RC time constant that is the sum of all the capacitance from both sides and the parallel of the resistance from both sides. As the signal approaches the  $V_{CC(A)}$  voltage, the channel resistance goes up and the waveforms separate, with the B side finishing its rise with the RC time constant of the B side. The rise to  $V_{CC(A)}$  is essentially the same for both sides.

There are some basic guidelines to follow that will help maximize the performance of the device:

- Keep trace length to a minimum by placing the NVT device close to the processor.
- The signal round trip time on trace should be shorter than the rise or fall time of signal to reduce reflections.
- The faster the edge of the signal, the higher the chance for ringing.
- The higher drive strength controlled by the pull-up resistor (up to 15 mA), the higher the frequency the device can use.

The system designer must design the pull-up resistor value based on external current drive strength and limit the node capacitance (minimize the wire, stub, connector and trace length) to get the desired operation frequency result.

## 12. Package outline

SO8: plastic small outline package; 8 leads; body width 3.9 mm

SOT96-1

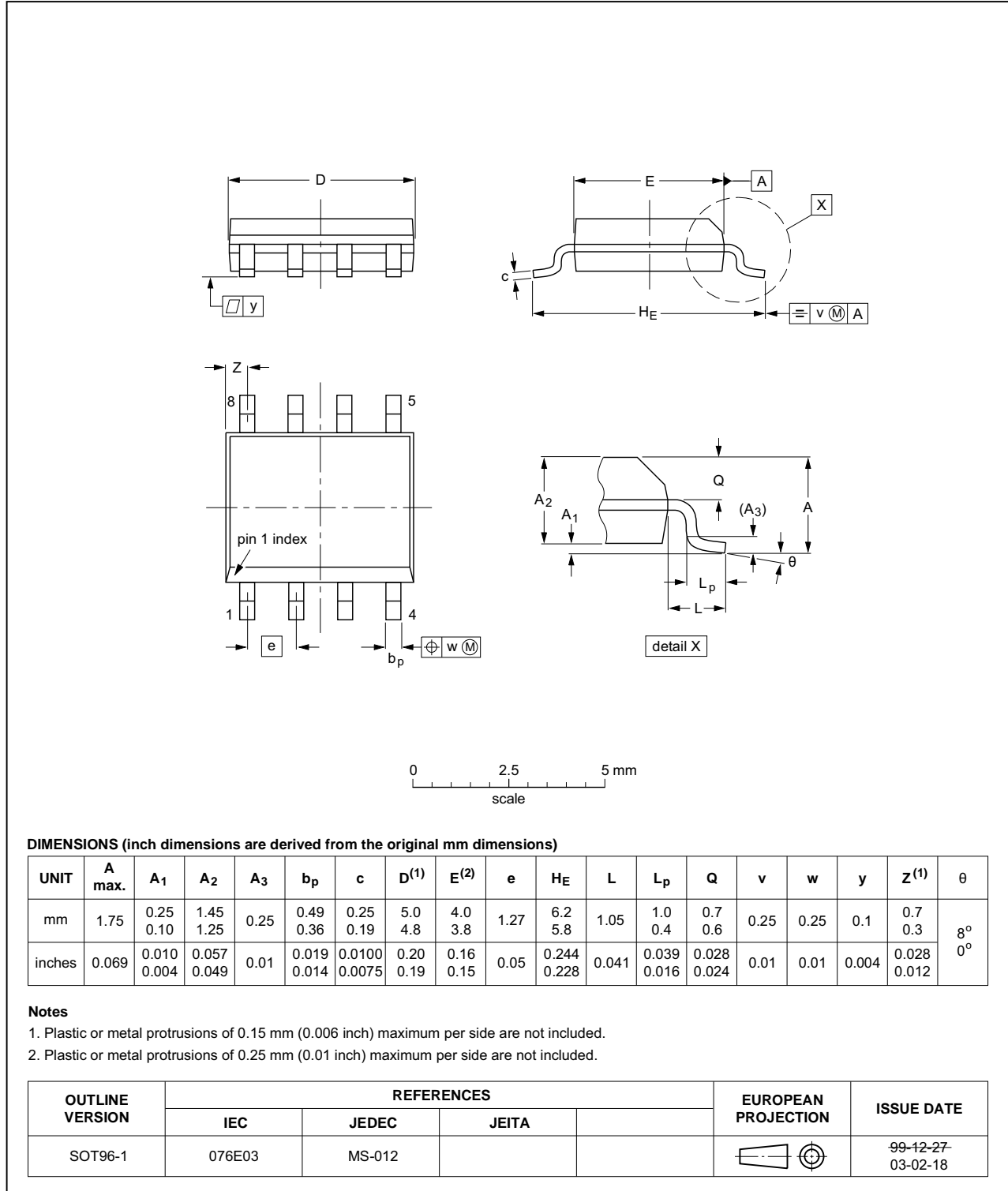


Fig 14. Package outline SOT96-1 (SO8)

TSSOP8: plastic thin shrink small outline package; 8 leads; body width 3 mm

SOT505-1

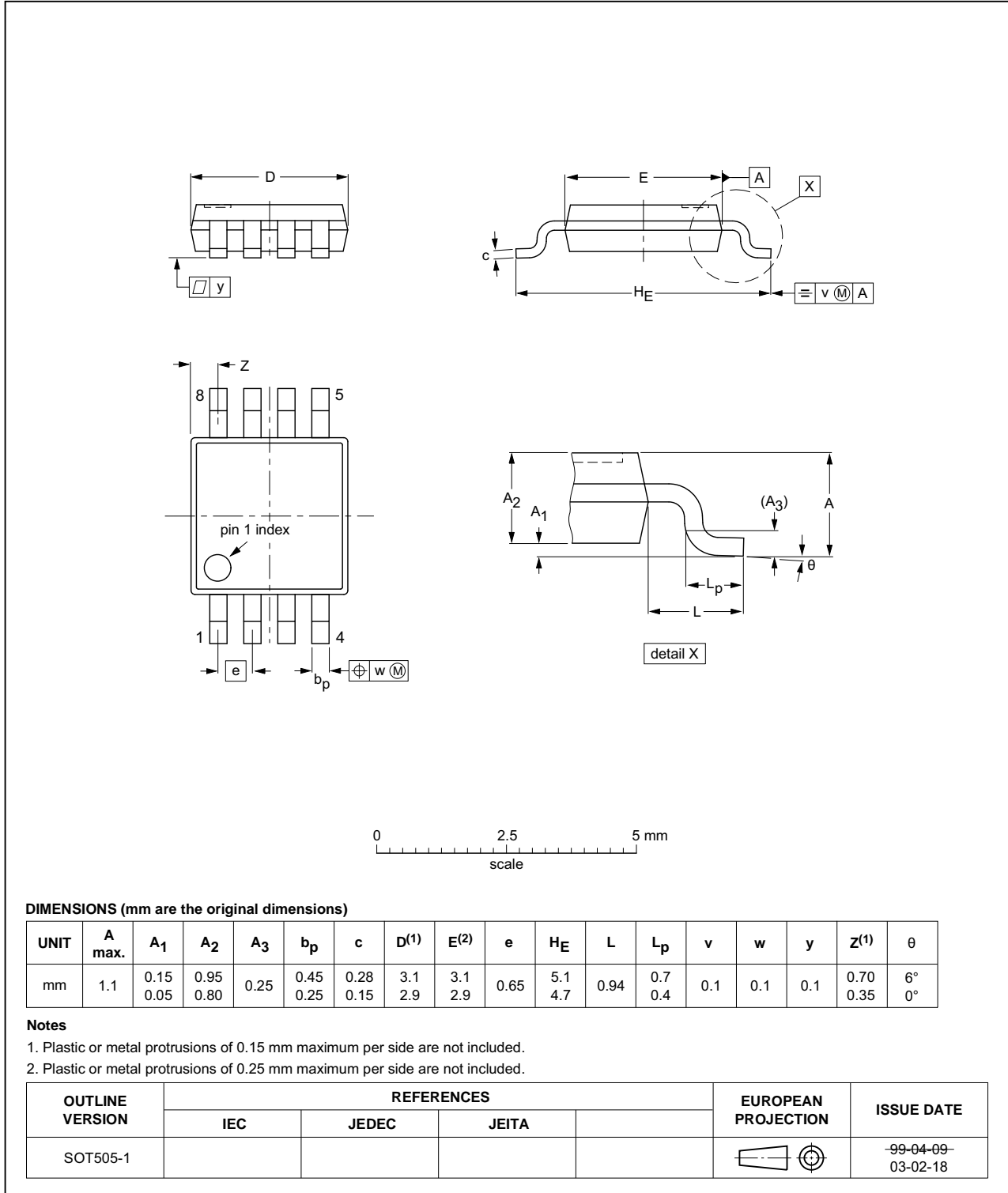


Fig 15. Package outline SOT505-1 (TSSOP8)



TSSOP8: plastic thin shrink small outline package; 8 leads; body width 3 mm; lead length 0.5 mm SOT505-2

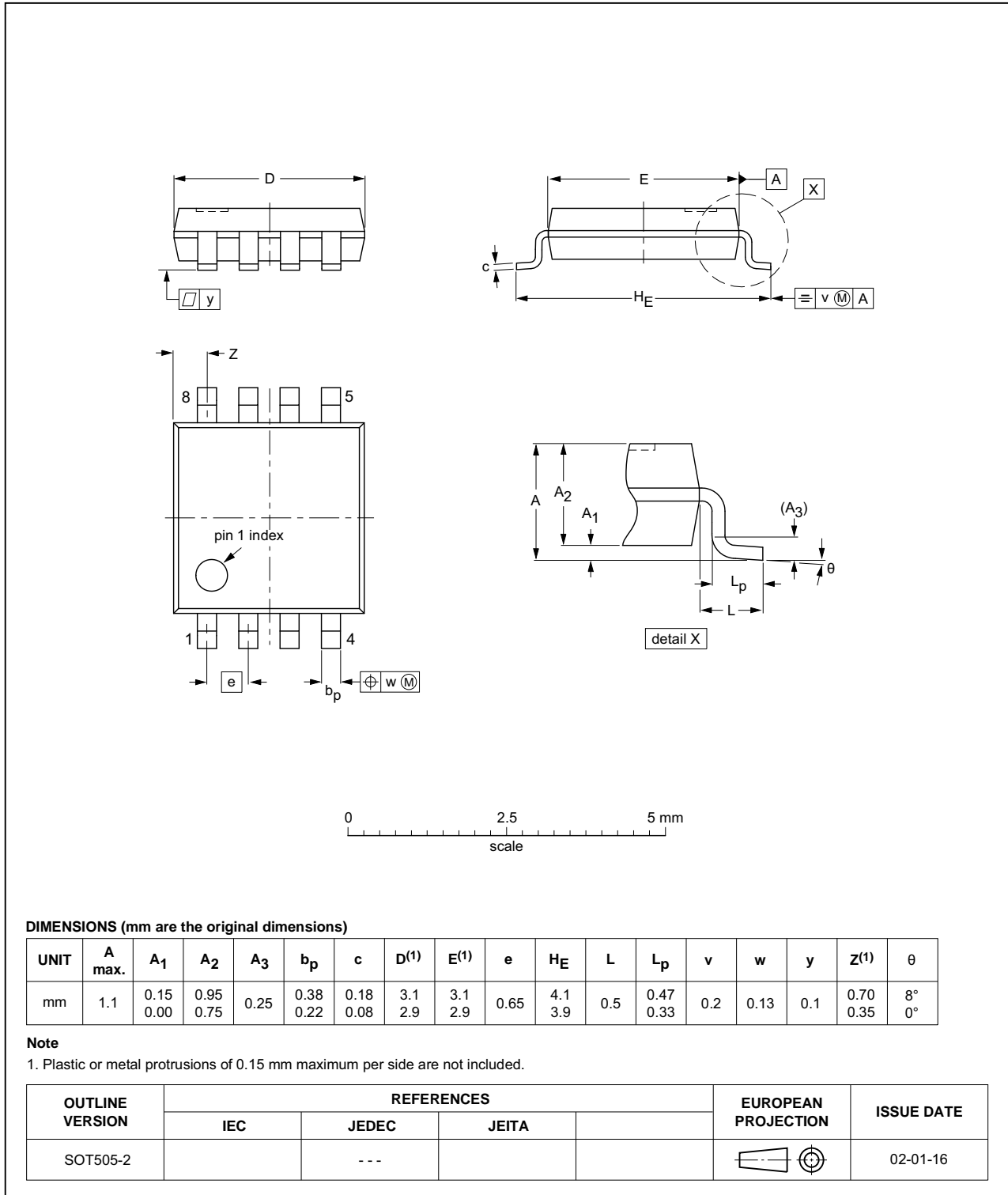


Fig 16. Package outline SOT505-2 (TSSOP8)

VSSOP8: plastic very thin shrink small outline package; 8 leads; body width 2.3 mm

SOT765-1

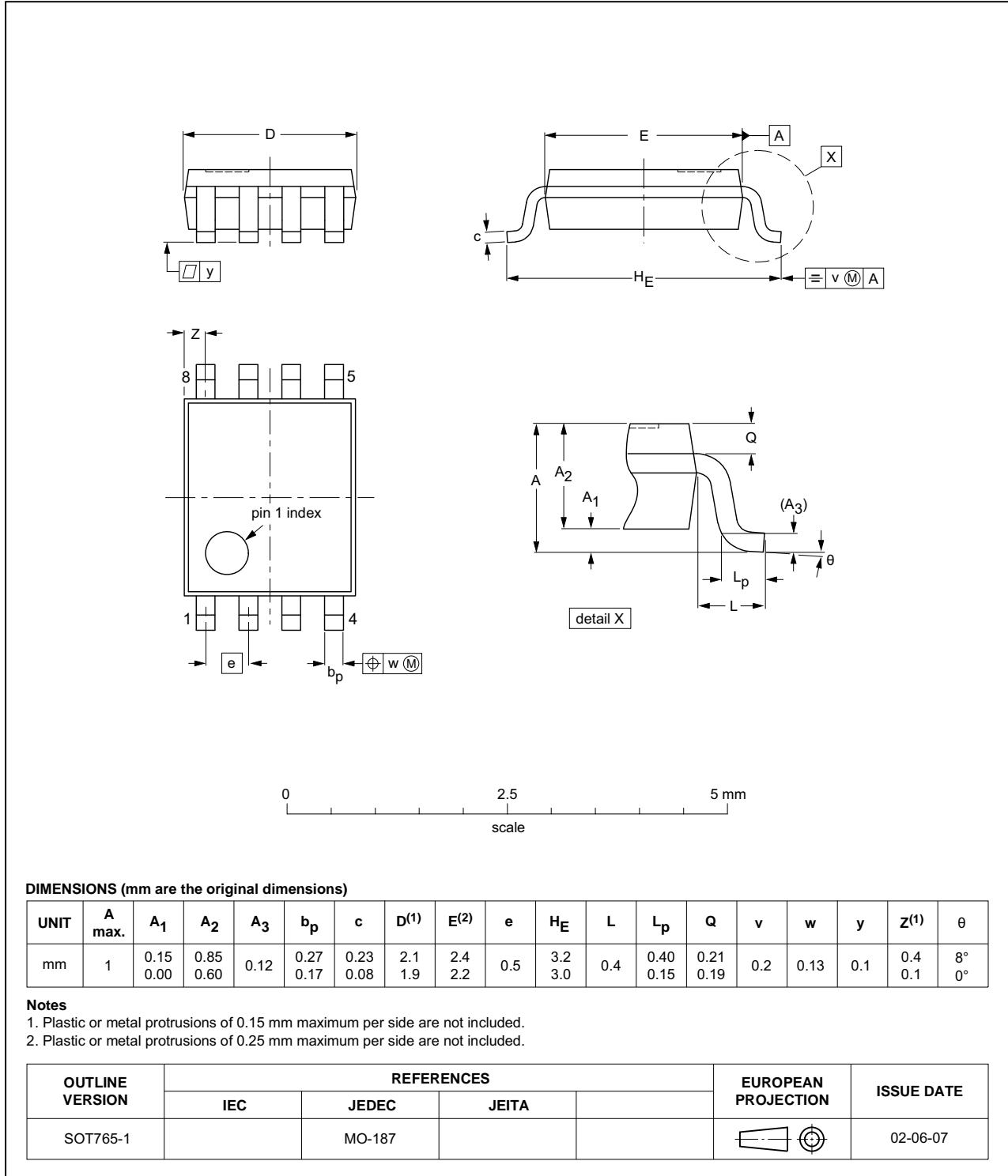


Fig 17. Package outline SOT765-1 (VSSOP8)

XQFN8: plastic, extremely thin quad flat package; no leads;  
8 terminals; body 1.6 x 1.6 x 0.5 mm

SOT902-2

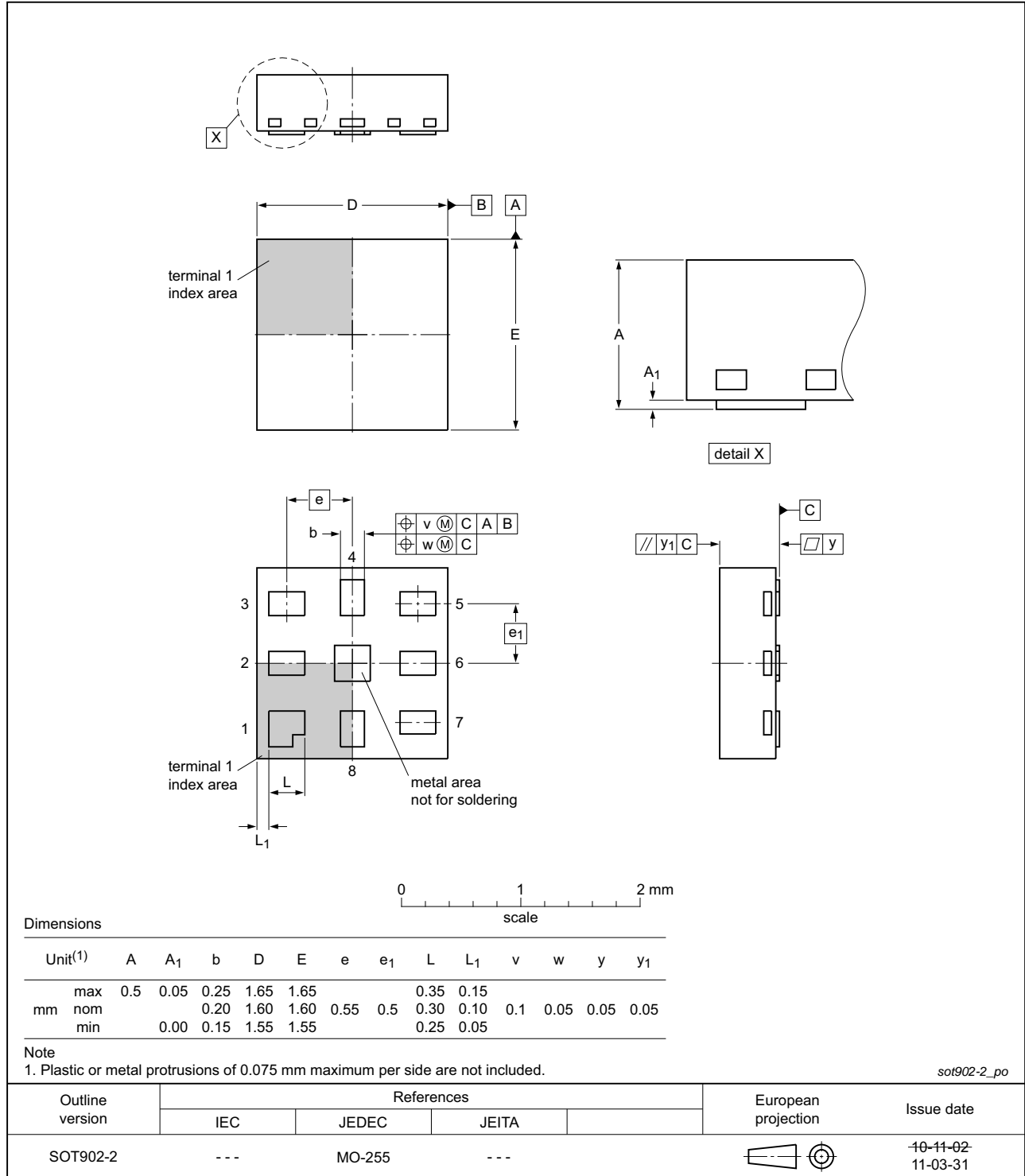
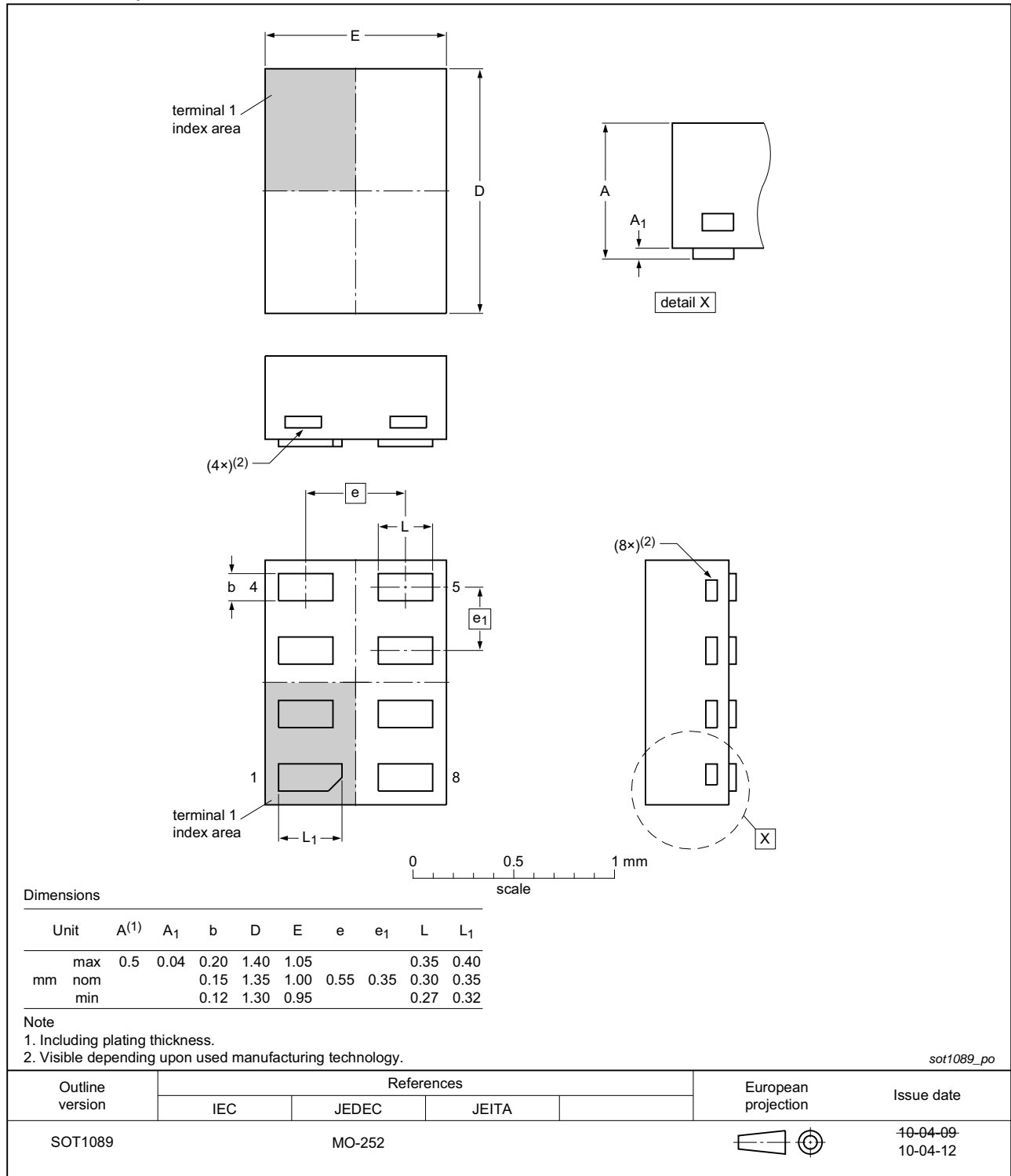


Fig 18. Package outline SOT902-2 (XQFN8)

**XSON8: extremely thin small outline package; no leads; 8 terminals; body 1.35 x 1 x 0.5 mm**

**SOT1089**



**Fig 19. Package outline SOT1089 (XSON8)**

XSON8: plastic extremely thin small outline package; no leads;  
8 terminals; body 3 x 2 x 0.5 mm

SOT996-2

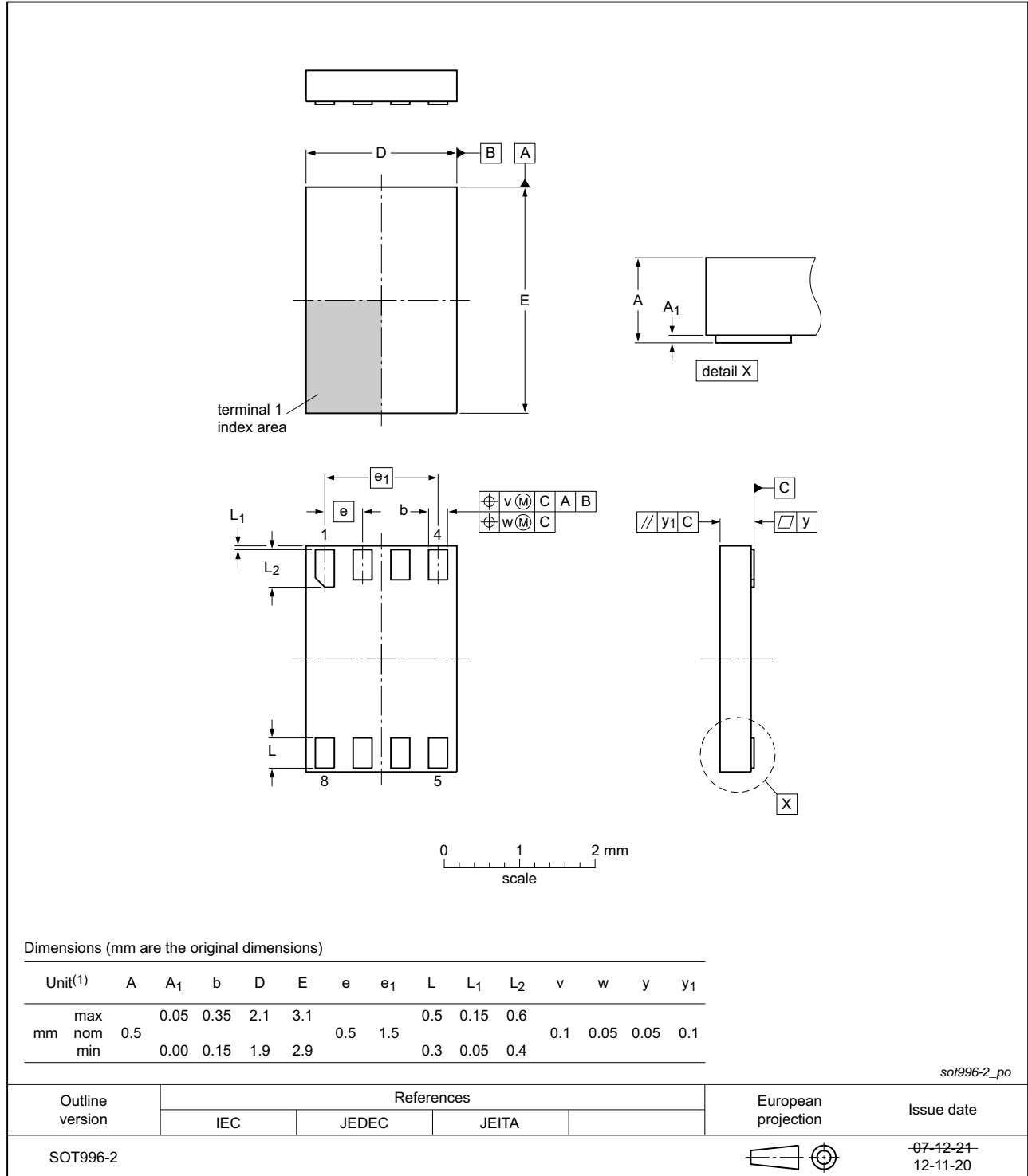


Fig 20. Package outline SOT996-2 (XSON8U)

## 13. Soldering of SMD packages

This text provides a very brief insight into a complex technology. A more in-depth account of soldering ICs can be found in Application Note *AN10365 “Surface mount reflow soldering description”*.

### 13.1 Introduction to soldering

Soldering is one of the most common methods through which packages are attached to Printed Circuit Boards (PCBs), to form electrical circuits. The soldered joint provides both the mechanical and the electrical connection. There is no single soldering method that is ideal for all IC packages. Wave soldering is often preferred when through-hole and Surface Mount Devices (SMDs) are mixed on one printed wiring board; however, it is not suitable for fine pitch SMDs. Reflow soldering is ideal for the small pitches and high densities that come with increased miniaturization.

### 13.2 Wave and reflow soldering

Wave soldering is a joining technology in which the joints are made by solder coming from a standing wave of liquid solder. The wave soldering process is suitable for the following:

- Through-hole components
- Leaded or leadless SMDs, which are glued to the surface of the printed circuit board

Not all SMDs can be wave soldered. Packages with solder balls, and some leadless packages which have solder lands underneath the body, cannot be wave soldered. Also, leaded SMDs with leads having a pitch smaller than ~0.6 mm cannot be wave soldered, due to an increased probability of bridging.

The reflow soldering process involves applying solder paste to a board, followed by component placement and exposure to a temperature profile. Leaded packages, packages with solder balls, and leadless packages are all reflow solderable.

Key characteristics in both wave and reflow soldering are:

- Board specifications, including the board finish, solder masks and vias
- Package footprints, including solder thieves and orientation
- The moisture sensitivity level of the packages
- Package placement
- Inspection and repair
- Lead-free soldering versus SnPb soldering

### 13.3 Wave soldering

Key characteristics in wave soldering are:

- Process issues, such as application of adhesive and flux, clinching of leads, board transport, the solder wave parameters, and the time during which components are exposed to the wave
- Solder bath specifications, including temperature and impurities

### 13.4 Reflow soldering

Key characteristics in reflow soldering are:

- Lead-free versus SnPb soldering; note that a lead-free reflow process usually leads to higher minimum peak temperatures (see [Figure 21](#)) than a SnPb process, thus reducing the process window
- Solder paste printing issues including smearing, release, and adjusting the process window for a mix of large and small components on one board
- Reflow temperature profile; this profile includes preheat, reflow (in which the board is heated to the peak temperature) and cooling down. It is imperative that the peak temperature is high enough for the solder to make reliable solder joints (a solder paste characteristic). In addition, the peak temperature must be low enough that the packages and/or boards are not damaged. The peak temperature of the package depends on package thickness and volume and is classified in accordance with [Table 14](#) and [15](#)

**Table 14. SnPb eutectic process (from J-STD-020D)**

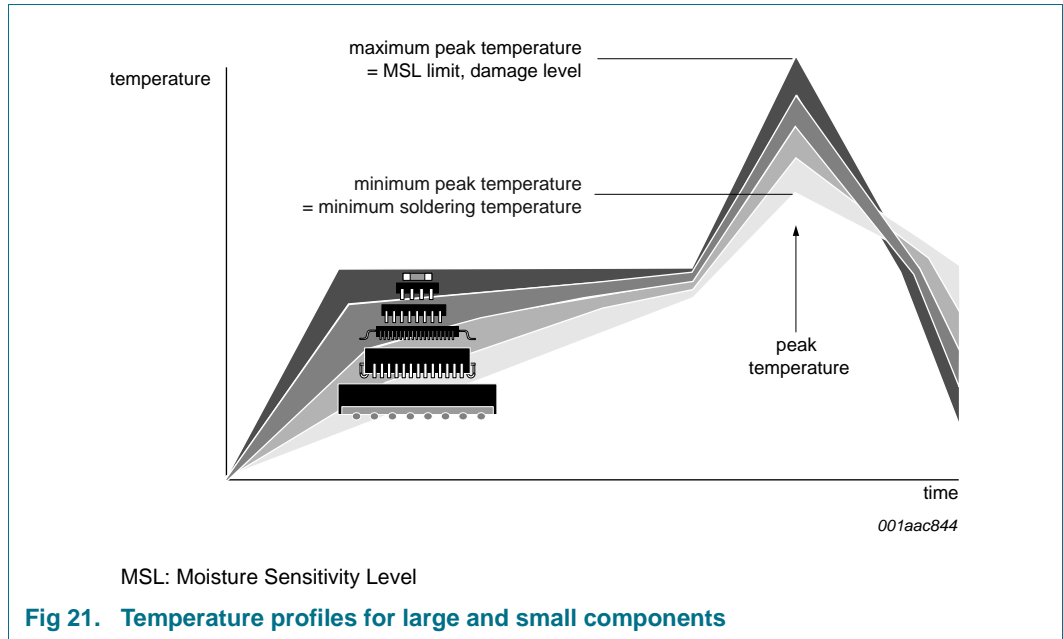
Package thickness (mm)	Package reflow temperature (°C)	
	Volume (mm <sup>3</sup> )	
	< 350	≥ 350
< 2.5	235	220
≥ 2.5	220	220

**Table 15. Lead-free process (from J-STD-020D)**

Package thickness (mm)	Package reflow temperature (°C)		
	Volume (mm <sup>3</sup> )		
	< 350	350 to 2000	> 2000
< 1.6	260	260	260
1.6 to 2.5	260	250	245
> 2.5	250	245	245

Moisture sensitivity precautions, as indicated on the packing, must be respected at all times.

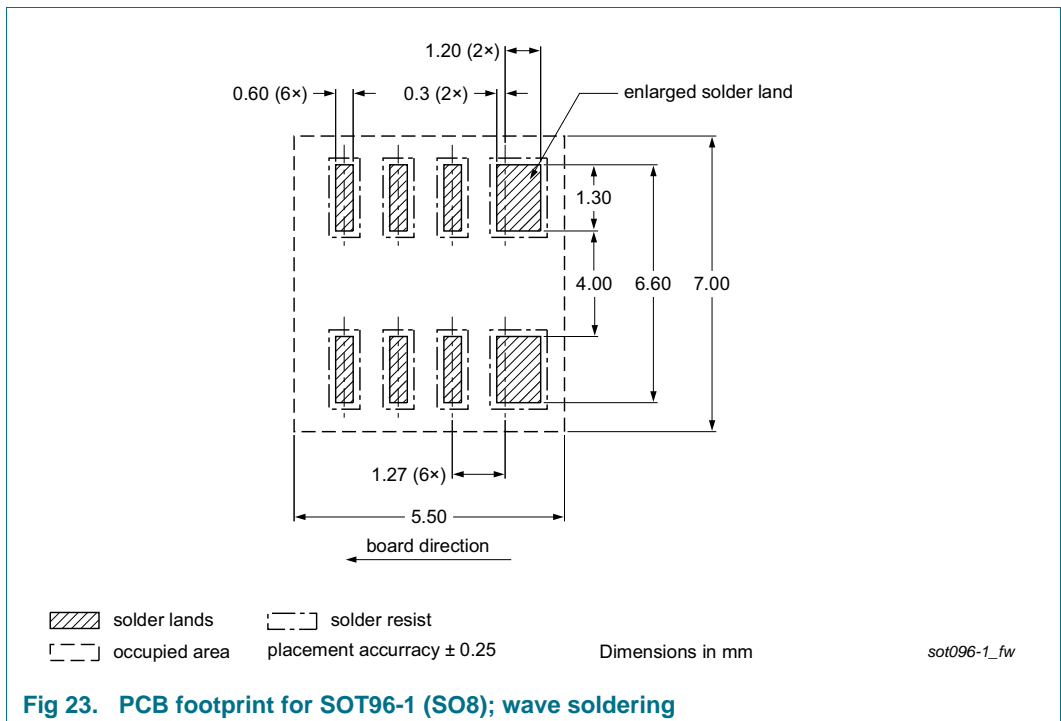
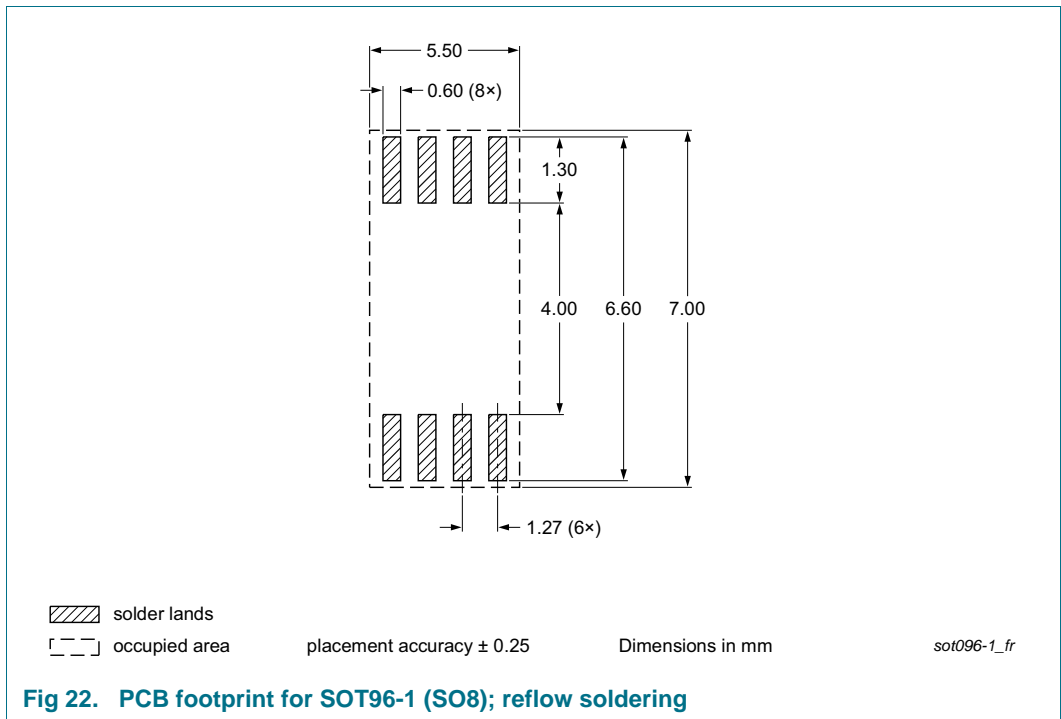
Studies have shown that small packages reach higher temperatures during reflow soldering, see [Figure 21](#).

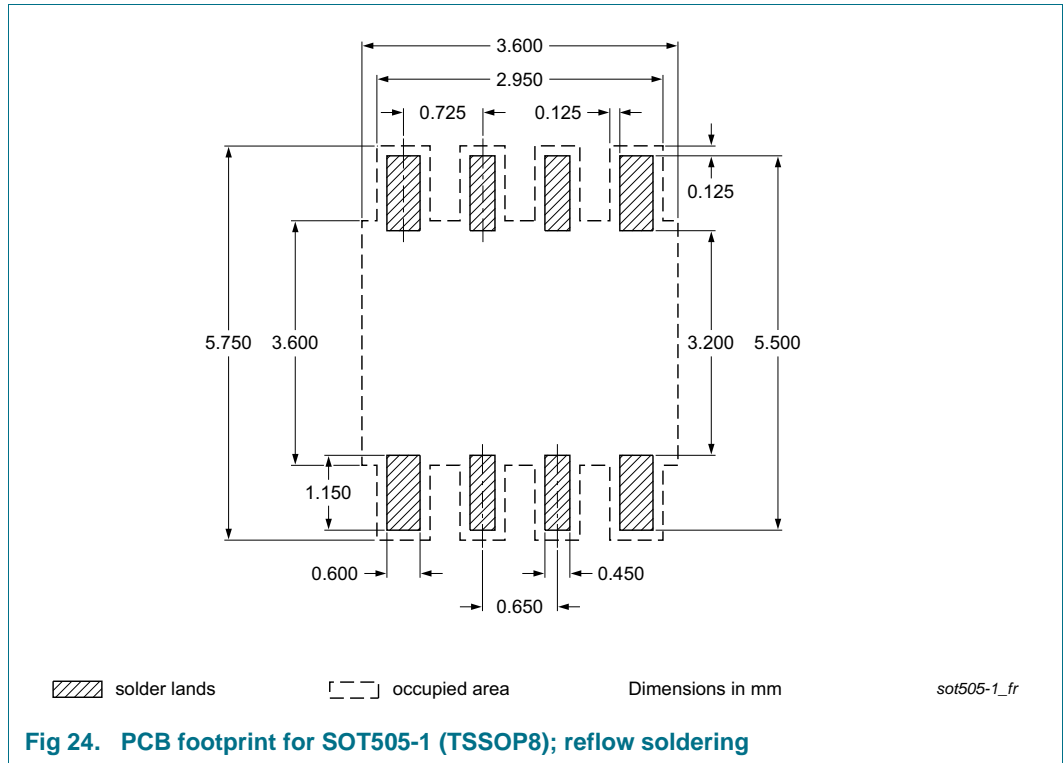


For further information on temperature profiles, refer to Application Note AN10365 “Surface mount reflow soldering description”.



### 14. Soldering: PCB footprints





Footprint information for reflow soldering of TSSOP8 package

SOT505-2

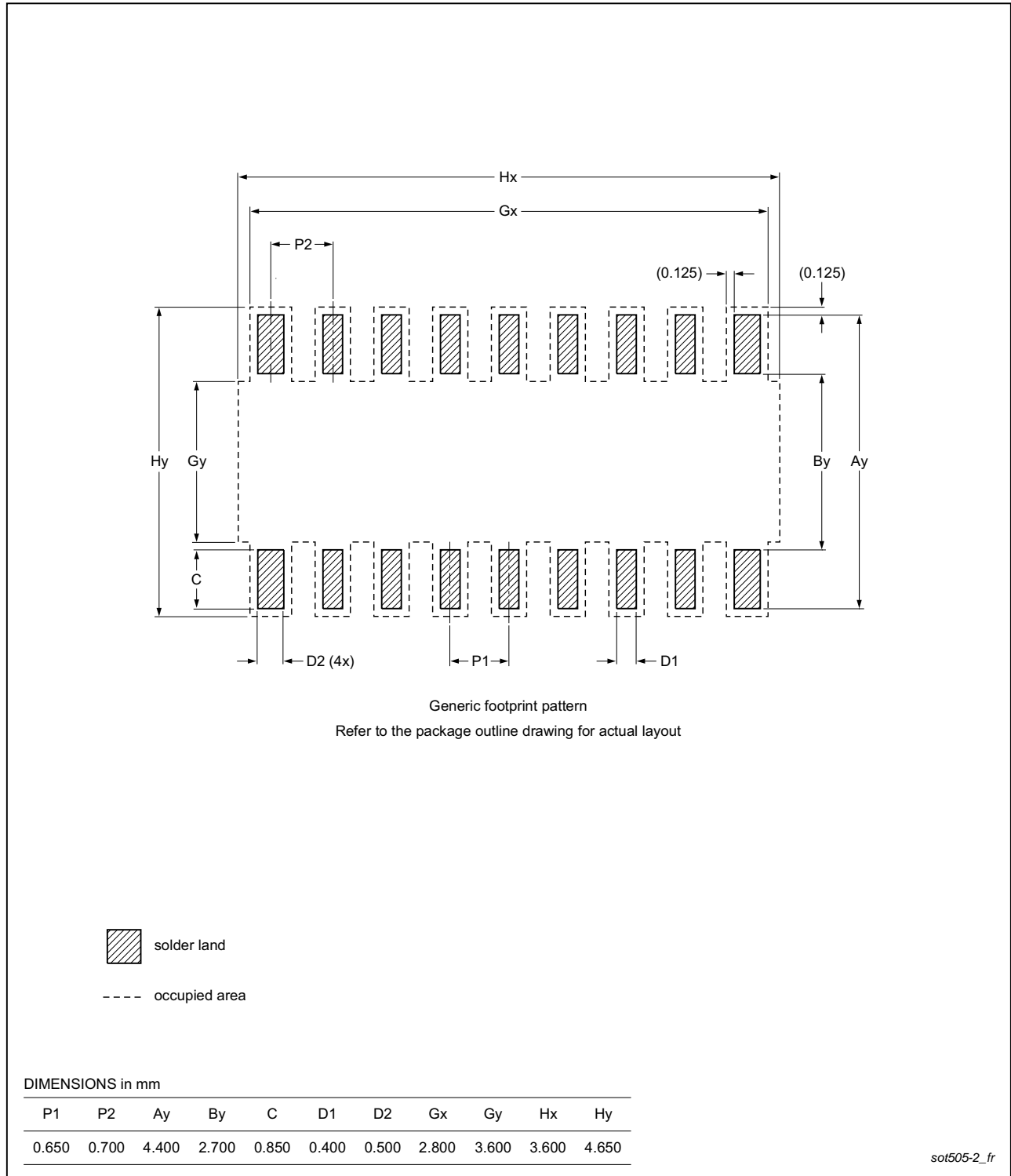


Fig 25. PCB footprint for SOT505-2 (TSSOP8); reflow soldering

Footprint information for reflow soldering of VSSOP8 package

SOT765-1

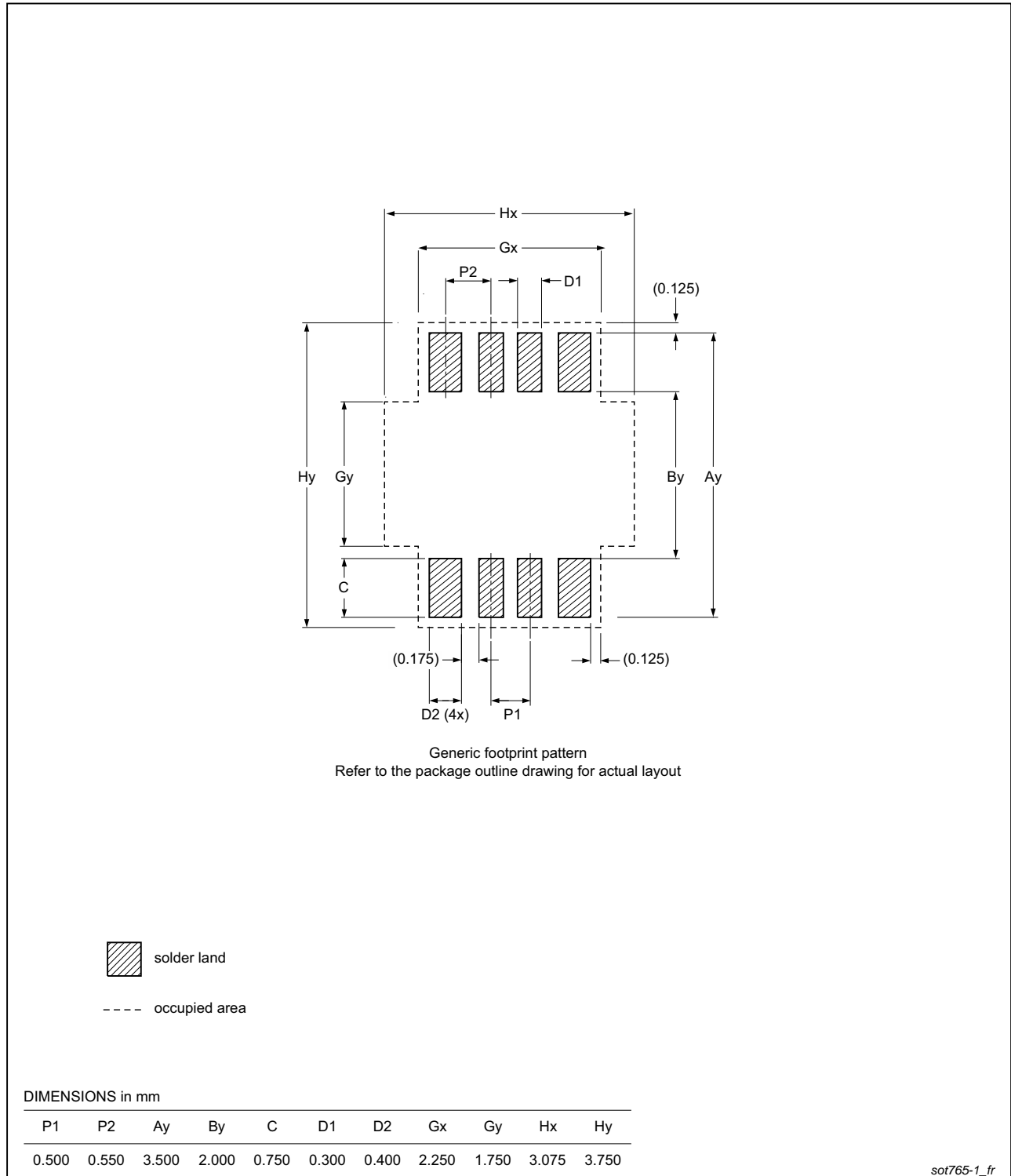
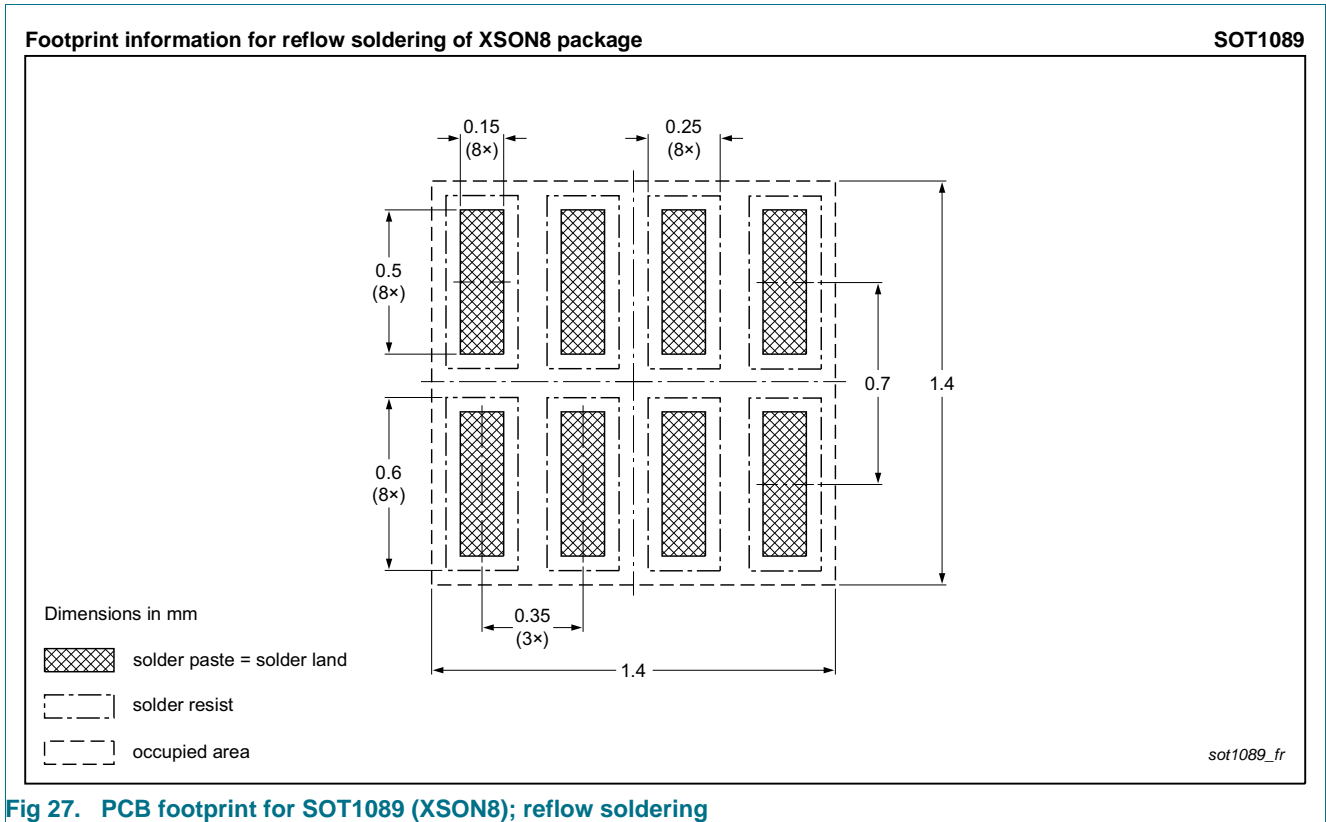


Fig 26. PCB footprint for SOT765-1 (VSSOP8); reflow soldering



**Fig 27. PCB footprint for SOT1089 (XSON8); reflow soldering**

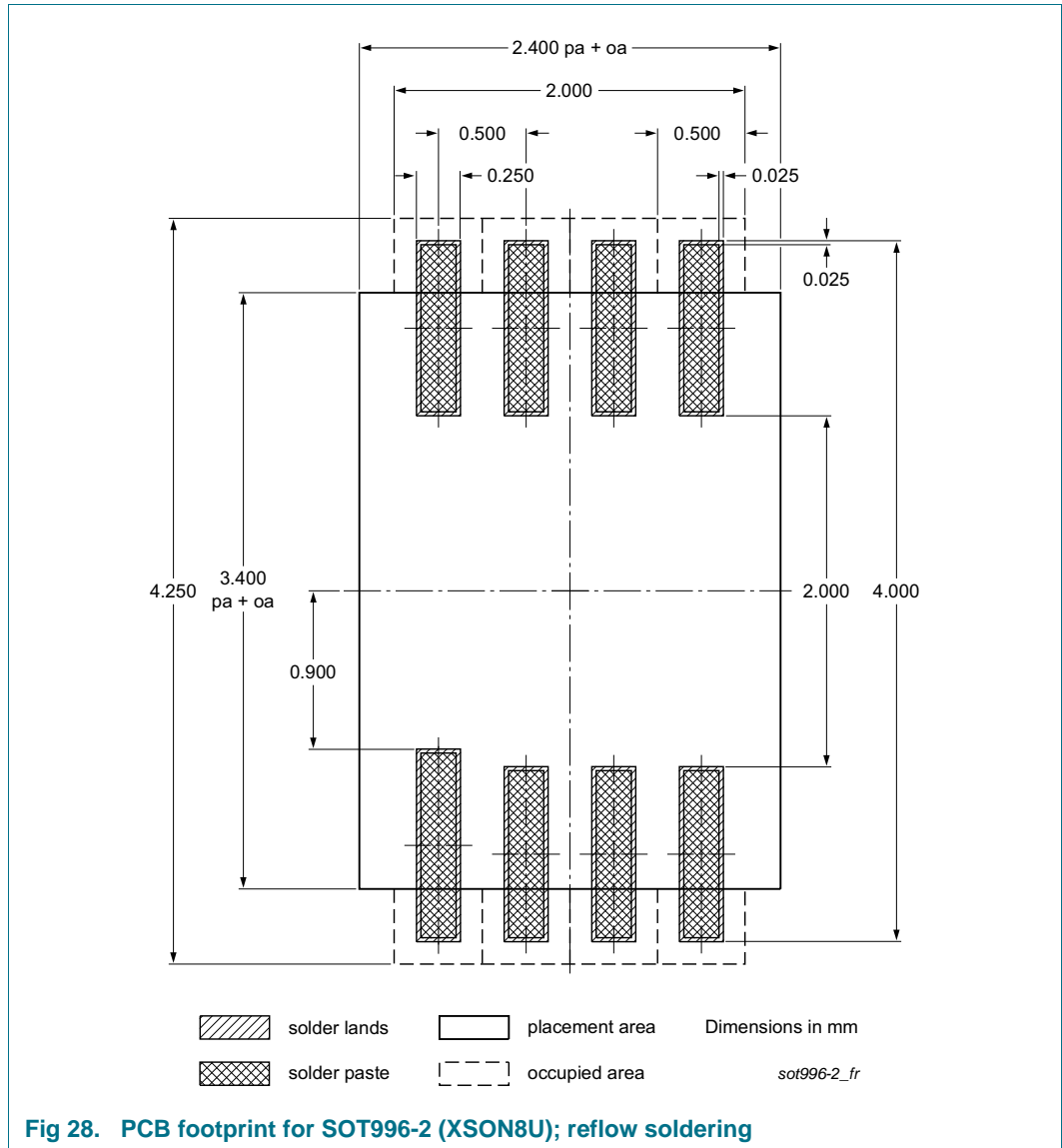


Fig 28. PCB footprint for SOT996-2 (XSON8U); reflow soldering

Footprint information for reflow soldering of XQFN8 package

SOT902-2

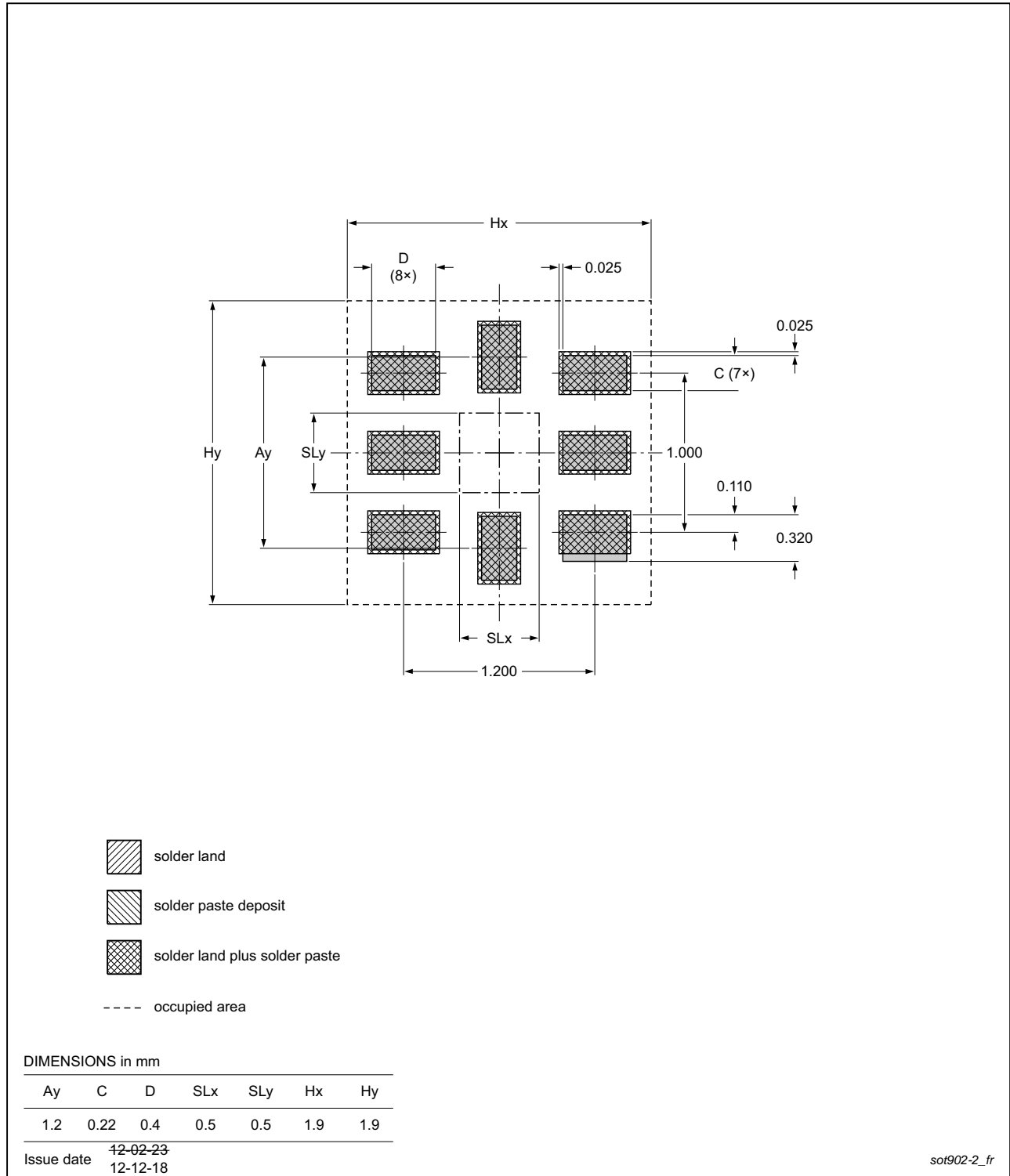


Fig 29. PCB footprint for SOT902-2 (XQFN8); reflow soldering

## 15. Abbreviations

**Table 16. Abbreviations**

Acronym	Description
CDM	Charged-Device Model
ESD	ElectroStatic Discharge
GTL	Gunning Transceiver Logic
HBM	Human Body Model
I <sup>2</sup> C-bus	Inter-Integrated Circuit bus
I/O	Input/Output
LVTTL	Low Voltage Transistor-Transistor Logic
PLL	Phase-Locked Loop
PRR	Pulse Repetition Rate
RC	Resistor-Capacitor network
SMBus	System Management Bus

## 16. Revision history

**Table 17. Revision history**

Document ID	Release date	Data sheet status	Change notice	Supersedes
PCA9306 v.9	20191206	Product data sheet	201912004I	PCA9306 v.8
Modifications:	<ul style="list-style-type: none"> <li>• Updated ordering information</li> <li>• Removed PCA9306D,112</li> <li>• Improved temperature range from “-40 °C to +85 °C” to “-40 °C to +105 °C”</li> </ul>			
PCA9306 v.8	20140122	Product data sheet	-	PCA9306 v.7
Modifications:	<ul style="list-style-type: none"> <li>• deleted (old) Section 11.2, “Sizing pull-up resistor”</li> <li>• added (new) <a href="#">Section 11.2 “How to size pull-up resistor value”</a></li> <li>• added (new) <a href="#">Section 11.3 “How to design for maximum frequency operation”</a></li> </ul>			
PCA9306 v.7	20130517	Product data sheet	-	PCA9306 v.6
PCA9306 v.6	20101125	Product data sheet	-	PCA9306 v.5
PCA9306 v.5	20100319	Product data sheet	-	PCA9306 v.4
PCA9306 v.4	20091026	Product data sheet	-	PCA9306 v.3
PCA9306 v.3	20080804	Product data sheet	-	PCA9306 v.2
PCA9306 v.2	20070221	Product data sheet	-	PCA9306 v.1
PCA9306 v.1	20061020	Product data sheet	-	-



## 17. Legal information

### 17.1 Data sheet status

Document status <sup>[1][2]</sup>	Product status <sup>[3]</sup>	Definition
Objective [short] data sheet	Development	This document contains data from the objective specification for product development.
Preliminary [short] data sheet	Qualification	This document contains data from the preliminary specification.
Product [short] data sheet	Production	This document contains the product specification.

[1] Please consult the most recently issued document before initiating or completing a design.

[2] The term 'short data sheet' is explained in section "Definitions".

[3] The product status of device(s) described in this document may have changed since this document was published and may differ in case of multiple devices. The latest product status information is available on the Internet at URL <http://www.nxp.com>.

### 17.2 Definitions

**Draft** — The document is a draft version only. The content is still under internal review and subject to formal approval, which may result in modifications or additions. NXP Semiconductors does not give any representations or warranties as to the accuracy or completeness of information included herein and shall have no liability for the consequences of use of such information.

**Short data sheet** — A short data sheet is an extract from a full data sheet with the same product type number(s) and title. A short data sheet is intended for quick reference only and should not be relied upon to contain detailed and full information. For detailed and full information see the relevant full data sheet, which is available on request via the local NXP Semiconductors sales office. In case of any inconsistency or conflict with the short data sheet, the full data sheet shall prevail.

**Product specification** — The information and data provided in a Product data sheet shall define the specification of the product as agreed between NXP Semiconductors and its customer, unless NXP Semiconductors and customer have explicitly agreed otherwise in writing. In no event however, shall an agreement be valid in which the NXP Semiconductors product is deemed to offer functions and qualities beyond those described in the Product data sheet.

### 17.3 Disclaimers

**Limited warranty and liability** — Information in this document is believed to be accurate and reliable. However, NXP Semiconductors does not give any representations or warranties, expressed or implied, as to the accuracy or completeness of such information and shall have no liability for the consequences of use of such information. NXP Semiconductors takes no responsibility for the content in this document if provided by an information source outside of NXP Semiconductors.

In no event shall NXP Semiconductors be liable for any indirect, incidental, punitive, special or consequential damages (including - without limitation - lost profits, lost savings, business interruption, costs related to the removal or replacement of any products or rework charges) whether or not such damages are based on tort (including negligence), warranty, breach of contract or any other legal theory.

Notwithstanding any damages that customer might incur for any reason whatsoever, NXP Semiconductors' aggregate and cumulative liability towards customer for the products described herein shall be limited in accordance with the *Terms and conditions of commercial sale* of NXP Semiconductors.

**Right to make changes** — NXP Semiconductors reserves the right to make changes to information published in this document, including without limitation specifications and product descriptions, at any time and without notice. This document supersedes and replaces all information supplied prior to the publication hereof.

**Suitability for use** — NXP Semiconductors products are not designed, authorized or warranted to be suitable for use in life support, life-critical or safety-critical systems or equipment, nor in applications where failure or malfunction of an NXP Semiconductors product can reasonably be expected to result in personal injury, death or severe property or environmental damage. NXP Semiconductors and its suppliers accept no liability for inclusion and/or use of NXP Semiconductors products in such equipment or applications and therefore such inclusion and/or use is at the customer's own risk.

**Applications** — Applications that are described herein for any of these products are for illustrative purposes only. NXP Semiconductors makes no representation or warranty that such applications will be suitable for the specified use without further testing or modification.

Customers are responsible for the design and operation of their applications and products using NXP Semiconductors products, and NXP Semiconductors accepts no liability for any assistance with applications or customer product design. It is customer's sole responsibility to determine whether the NXP Semiconductors product is suitable and fit for the customer's applications and products planned, as well as for the planned application and use of customer's third party customer(s). Customers should provide appropriate design and operating safeguards to minimize the risks associated with their applications and products.

NXP Semiconductors does not accept any liability related to any default, damage, costs or problem which is based on any weakness or default in the customer's applications or products, or the application or use by customer's third party customer(s). Customer is responsible for doing all necessary testing for the customer's applications and products using NXP Semiconductors products in order to avoid a default of the applications and the products or of the application or use by customer's third party customer(s). NXP does not accept any liability in this respect.

**Limiting values** — Stress above one or more limiting values (as defined in the Absolute Maximum Ratings System of IEC 60134) will cause permanent damage to the device. Limiting values are stress ratings only and (proper) operation of the device at these or any other conditions above those given in the Recommended operating conditions section (if present) or the Characteristics sections of this document is not warranted. Constant or repeated exposure to limiting values will permanently and irreversibly affect the quality and reliability of the device.

**Terms and conditions of commercial sale** — NXP Semiconductors products are sold subject to the general terms and conditions of commercial sale, as published at <http://www.nxp.com/profile/terms>, unless otherwise agreed in a valid written individual agreement. In case an individual agreement is concluded only the terms and conditions of the respective agreement shall apply. NXP Semiconductors hereby expressly objects to applying the customer's general terms and conditions with regard to the purchase of NXP Semiconductors products by customer.

**No offer to sell or license** — Nothing in this document may be interpreted or construed as an offer to sell products that is open for acceptance or the grant, conveyance or implication of any license under any copyrights, patents or other industrial or intellectual property rights.

**Export control** — This document as well as the item(s) described herein may be subject to export control regulations. Export might require a prior authorization from competent authorities.

**Non-automotive qualified products** — Unless this data sheet expressly states that this specific NXP Semiconductors product is automotive qualified, the product is not suitable for automotive use. It is neither qualified nor tested in accordance with automotive testing or application requirements. NXP Semiconductors accepts no liability for inclusion and/or use of non-automotive qualified products in automotive equipment or applications.

In the event that customer uses the product for design-in and use in automotive applications to automotive specifications and standards, customer (a) shall use the product without NXP Semiconductors' warranty of the product for such automotive applications, use and specifications, and (b) whenever customer uses the product for automotive applications beyond NXP Semiconductors' specifications such use shall be solely at customer's

own risk, and (c) customer fully indemnifies NXP Semiconductors for any liability, damages or failed product claims resulting from customer design and use of the product for automotive applications beyond NXP Semiconductors' standard warranty and NXP Semiconductors' product specifications.

**Translations** — A non-English (translated) version of a document is for reference only. The English version shall prevail in case of any discrepancy between the translated and English versions.

## 17.4 Trademarks

Notice: All referenced brands, product names, service names and trademarks are the property of their respective owners.

**I<sup>2</sup>C-bus** — logo is a trademark of NXP B.V.

## 18. Contact information

For more information, please visit: <http://www.nxp.com>

For sales office addresses, please send an email to: [salesaddresses@nxp.com](mailto:salesaddresses@nxp.com)

## 19. Contents

---

<b>1</b>	<b>General description</b> . . . . .	<b>1</b>
<b>2</b>	<b>Features and benefits</b> . . . . .	<b>2</b>
<b>3</b>	<b>Ordering information</b> . . . . .	<b>3</b>
3.1	Ordering options . . . . .	3
<b>4</b>	<b>Functional diagram</b> . . . . .	<b>4</b>
<b>5</b>	<b>Pinning information</b> . . . . .	<b>5</b>
5.1	Pinning . . . . .	5
5.2	Pin description . . . . .	6
<b>6</b>	<b>Functional description</b> . . . . .	<b>7</b>
6.1	Function table . . . . .	7
<b>7</b>	<b>Limiting values</b> . . . . .	<b>7</b>
<b>8</b>	<b>Recommended operating conditions</b> . . . . .	<b>7</b>
<b>9</b>	<b>Static characteristics</b> . . . . .	<b>8</b>
<b>10</b>	<b>Dynamic characteristics</b> . . . . .	<b>9</b>
<b>11</b>	<b>Application information</b> . . . . .	<b>10</b>
11.1	Bidirectional translation . . . . .	11
11.2	How to size pull-up resistor value . . . . .	11
11.3	How to design for maximum frequency operation . . . . .	13
<b>12</b>	<b>Package outline</b> . . . . .	<b>15</b>
<b>13</b>	<b>Soldering of SMD packages</b> . . . . .	<b>22</b>
13.1	Introduction to soldering . . . . .	22
13.2	Wave and reflow soldering . . . . .	22
13.3	Wave soldering . . . . .	22
13.4	Reflow soldering . . . . .	23
<b>14</b>	<b>Soldering: PCB footprints</b> . . . . .	<b>25</b>
<b>15</b>	<b>Abbreviations</b> . . . . .	<b>32</b>
<b>16</b>	<b>Revision history</b> . . . . .	<b>32</b>
<b>17</b>	<b>Legal information</b> . . . . .	<b>33</b>
17.1	Data sheet status . . . . .	33
17.2	Definitions . . . . .	33
17.3	Disclaimers . . . . .	33
17.4	Trademarks . . . . .	34
<b>18</b>	<b>Contact information</b> . . . . .	<b>34</b>
<b>19</b>	<b>Contents</b> . . . . .	<b>35</b>

Please be aware that important notices concerning this document and the product(s) described herein, have been included in section 'Legal information'.

© NXP B.V. 2019.

All rights reserved.

For more information, please visit: <http://www.nxp.com>

For sales office addresses, please send an email to: [salesaddresses@nxp.com](mailto:salesaddresses@nxp.com)

Date of release: 6 December 2019

Document identifier: PCA9306

Компания «Океан Электроники» предлагает заключение долгосрочных отношений при поставках импортных электронных компонентов на взаимовыгодных условиях!

Наши преимущества:

- Поставка оригинальных импортных электронных компонентов напрямую с производств Америки, Европы и Азии, а так же с крупнейших складов мира;
- Широкая линейка поставок активных и пассивных импортных электронных компонентов (более 30 млн. наименований);
- Поставка сложных, дефицитных, либо снятых с производства позиций;
- Оперативные сроки поставки под заказ (от 5 рабочих дней);
- Экспресс доставка в любую точку России;
- Помощь Конструкторского Отдела и консультации квалифицированных инженеров;
- Техническая поддержка проекта, помощь в подборе аналогов, поставка прототипов;
- Поставка электронных компонентов под контролем ВП;
- Система менеджмента качества сертифицирована по Международному стандарту ISO 9001;
- При необходимости вся продукция военного и аэрокосмического назначения проходит испытания и сертификацию в лаборатории (по согласованию с заказчиком);
- Поставка специализированных компонентов военного и аэрокосмического уровня качества (Xilinx, Altera, Analog Devices, Intersil, Interpoint, Microsemi, Actel, Aeroflex, Peregrine, VPT, Syfer, Eurofarad, Texas Instruments, MS Kennedy, Miteq, Cobham, E2V, MA-COM, Hittite, Mini-Circuits, General Dynamics и др.);

Компания «Океан Электроники» является официальным дистрибьютором и эксклюзивным представителем в России одного из крупнейших производителей разъемов военного и аэрокосмического назначения «JONHON», а так же официальным дистрибьютором и эксклюзивным представителем в России производителя высокотехнологичных и надежных решений для передачи СВЧ сигналов «FORSTAR».



## JONHON

«JONHON» (основан в 1970 г.)

Разъемы специального, военного и аэрокосмического назначения:

(Применяются в военной, авиационной, аэрокосмической, морской, железнодорожной, горно- и нефтедобывающей отраслях промышленности)

«FORSTAR» (основан в 1998 г.)

ВЧ соединители, коаксиальные кабели, кабельные сборки и микроволновые компоненты:

(Применяются в телекоммуникациях гражданского и специального назначения, в средствах связи, РЛС, а так же военной, авиационной и аэрокосмической отраслях промышленности).



Телефон: 8 (812) 309-75-97 (многоканальный)

Факс: 8 (812) 320-03-32

Электронная почта: [ocean@oceanchips.ru](mailto:ocean@oceanchips.ru)

Web: <http://oceanchips.ru/>

Адрес: 198099, г. Санкт-Петербург, ул. Калинина, д. 2, корп. 4, лит. А