

Product Specification

2km 100G CWDM4 QSFP28 Optical Transceiver Module FTLC1155RGPL

PRODUCT FEATURES

- Hot-pluggable QSFP28 form factor
- Supports 103.1Gb/s aggregate bit rate
- Power dissipation < 3.5W
- RoHS-6 compliant
- Commercial case temperature range of 0°C to +70°C
- Adaptive CTLE
- Single 3.3V power supply
- Loss budget of 5 dB on up to 2 km of Single Mode Fiber (SMF) [with KR4 FEC]
- 4x25Gb/s CWDM transmitter
- 4x25G retimed electrical interface
- Duplex LC receptacles
- I2C management interface



APPLICATIONS

- 100G CWDM4 applications with FEC

Finisar's FTLC1155RGPL QSFP28 transceiver modules are designed for use in 100 Gigabit Ethernet links on up to 2 km of single mode fiber. They are compliant with the QSFP28 MSA¹, CWDM4 MSA² and portions of IEEE P802.3bm³. Digital diagnostic functions are available via the I2C interface, as specified by the QSFP28 MSA and Finisar Application Notes AN-2153⁴ and AN-2154⁵. The optical transceiver is compliant per the RoHS-6 Directive 2011/65/EU⁶. See Finisar Application Note AN-2038⁷ for more details.

PRODUCT SELECTION

FTLC1155RGPL

- 5: Gen 2
- R: Ethernet maximum bit rate (103.1 Gb/s)
- G: 4x25G CWDM optical architecture
- P: Pull-tab release
- L: LC straight receptacles

I. Pin Descriptions

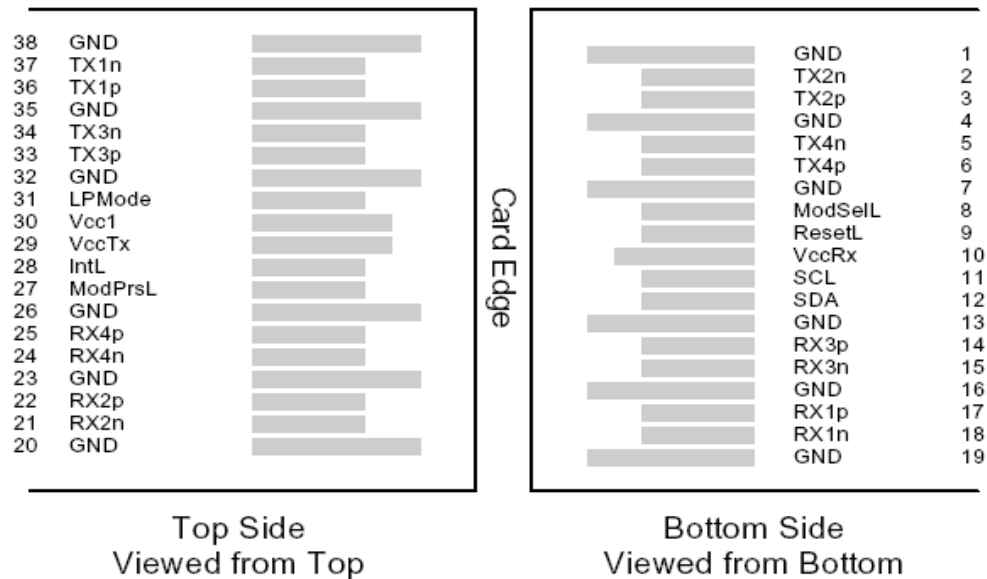


Figure 1 – QSFP28-compliant 38-pin connector (per SFF-8679)

| Pin | Symbol | Name/Description | Notes |
|-----|---------|-------------------------------------|-------|
| 1 | GND | Ground | 1 |
| 2 | Tx2n | Transmitter Inverted Data Input | |
| 3 | Tx2p | Transmitter Non-Inverted Data Input | |
| 4 | GND | Ground | 1 |
| 5 | Tx4n | Transmitter Inverted Data Input | |
| 6 | Tx4p | Transmitter Non-Inverted Data Input | |
| 7 | GND | Ground | 1 |
| 8 | ModSelL | Module Select | |
| 9 | ResetL | Module Reset | |
| 10 | Vcc Rx | +3.3 V Power supply receiver | |
| 11 | SCL | 2-wire serial interface clock | |
| 12 | SDA | 2-wire serial interface data | |
| 13 | GND | Ground | 1 |
| 14 | Rx3p | Receiver Non-Inverted Data Output | |
| 15 | Rx3n | Receiver Inverted Data Output | |
| 16 | GND | Ground | 1 |
| 17 | Rx1p | Receiver Non-Inverted Data Output | |
| 18 | Rx1n | Receiver Inverted Data Output | |
| 19 | GND | Ground | 1 |
| 20 | GND | Ground | 1 |
| 21 | Rx2n | Receiver Inverted Data Output | |
| 22 | Rx2p | Receiver Non-Inverted Data Output | |
| 23 | GND | Ground | 1 |
| 24 | Rx4n | Receiver Inverted Data Output | |
| 25 | Rx4p | Receiver Non-Inverted Data Output | |
| 26 | GND | Ground | 1 |
| 27 | ModPrsL | Module Present | |
| 28 | IntL | Interrupt | 2 |
| 29 | Vcc Tx | +3.3 V Power supply transmitter | |
| 30 | Vcc1 | +3.3 V Power Supply | |

| | | | |
|----|--------|-------------------------------------|---|
| 31 | LPMODE | Low Power Mode | 2 |
| 32 | GND | Ground | 1 |
| 33 | Tx3p | Transmitter Non-Inverted Data Input | |
| 34 | Tx3n | Transmitter Inverted Data Input | |
| 35 | GND | Ground | 1 |
| 36 | Tx1p | Transmitter Non-Inverted Data Input | |
| 37 | Tx1n | Transmitter Inverted Data Input | |
| 38 | GND | Ground | 1 |

Notes

1. Circuit ground is internally isolated from chassis ground.
2. The IntL pin (“Interrupt Low”, pin 28) can be configured to act as an Rx_LOS output;
The LPMODE pin (“Low Power Mode”, pin 31) can be configured to act as an input for Tx_Disable;
See Finisar Application Note AN-2038⁸ for more details.

II. Absolute Maximum Ratings

Module performance is not guaranteed beyond the operating range (see Section VI).
Exceeding the limits below may damage the transceiver module permanently.

| Parameter | Symbol | Min | Typ | Max | Unit | Ref. |
|-------------------------------------|-------------------|------|-----|-----|------|------|
| Maximum Supply Voltage | V _{CC} | -0.5 | | 3.6 | V | |
| Storage Temperature | T _S | -40 | | +85 | °C | |
| Case Operating Temperature | T _{OP} | 0 | | +70 | °C | |
| Relative Humidity | RH | 15 | | 85 | % | 1 |
| Receiver Damage Threshold, per Lane | P _{Rdmg} | 3.5 | | | dBm | |

Notes:

1. Non-condensing.

III. Electrical Characteristics (EOL, T_{OP} = 0 to +70 °C, V_{CC} = 3.135 to 3.465 Volts)

| Parameter | Symbol | Min | Typ | Max | Unit | Ref. |
|---|----------------------|---|------|-------|------|------|
| Supply Voltage | V _{CC} | 3.135 | | 3.465 | V | |
| Supply Current | I _{CC} | | | 1.12 | A | |
| Module total power | P | | | 3.5 | W | 1 |
| Transmitter | | | | | | |
| Signaling rate per lane | | 25.78125 ± 100 ppm | | | GBd | |
| Differential data input swing per lane | V _{in,pp} | | | 900 | mV | |
| Differential input return loss (min) | RL _d (f) | 9.5 – 0.37f, 0.01 ≤ f < 8 4.75 – 7.4log ₁₀ (f/14), 8 ≤ f < 19 | | | dB | |
| Differential to common mode input return loss (min) | RL _{dc} (f) | 22-20(f/25.78), 0.01 ≤ f < 12.89 15-6(f/25.78), 12.89 ≤ f < 19 | | | dB | |
| Differential termination mismatch | | | | 10 | % | |
| Stressed input parameters | | | | | | |
| Eye width | | | 0.46 | | UI | |
| Applied pk-pk sinusoidal jitter | | Per IEEE 802.3bm Table 88-13 | | | | |
| Eye height | | | 95 | | mV | |
| DC common mode voltage | | -350 | | 2850 | mV | |
| Receiver | | | | | | |
| Signaling rate per lane | | 25.78125 ± 100 ppm | | | GBd | |
| Differential data output swing | V _{out,pp} | 100 | | 400 | mVpp | 2 |
| | | 300 | | 600 | | |
| | | 400 | | 800 | | |
| | | 600 | | 1200 | | |
| Eye width | | 0.57 | | | UI | |

| | | | | | | |
|--|---------------------------------|---|--|-----|----|--|
| Vertical eye closure | | | | 5.5 | dB | |
| Differential output return loss (min) | RLd(f) | 9.5 – 0.37f, 0.01 ≤ f < 8 4.75 – 7.4log ₁₀ (f/14), 8 ≤ f < 19 | | | dB | |
| Common to differential mode conversion return loss (min) | RLdc(f) | 22-20(f/25.78), 0.01 ≤ f < 12.89 15-6(f/25.78), 12.89 ≤ f < 19 | | | dB | |
| Differential termination mismatch | | | | 10 | % | |
| Transition time, 20% to 80% | t _r , t _f | 12 | | | ps | |

Notes:

- Maximum total power value is specified across the full temperature and voltage range. Power consumption ≤ 3.5W when stabilized, but may be > 3.5W during locking acquisition.
- Output voltage is settable in 4 discrete ranges via I2C. Default range is Range 2 (400 – 800 mV).

IV. Optical Characteristics (EOL, T_{OP} = 0 to +70 °C, V_{CC} = 3.135 to 3.465 Volts)

| Parameter | Symbol | Min | Typ | Max | Unit | Ref. |
|--|--------------------|--|-----|-------|------|------|
| Transmitter | | | | | | |
| Signaling Speed per Lane | | 25.78125 ± 100 ppm | | | GBd | 1 |
| Lane center wavelengths (range) | | 1264.5 – 1277.5 1284.5 – 1297.5 1304.5 – 1317.5 1324.5 – 1337.5 | | | nm | |
| Transmit OMA per Lane | TxOMA1 | -4 | | 2.5 | dBm | |
| Transmit OMA per Lane @TDP max | TxOMA2 | -2 | | | dBm | 2 |
| Transmit Average Power per Lane | | | | 2.5 | dBm | 8 |
| Optical Extinction Ratio | ER | 3.5 | | | dB | |
| Transmitter and Dispersion Penalty per Lane | TDP | | | 3 | dB | 3 |
| Launch Power (OMA-TDP) | OMA-TDP | -5 | | | dBm | |
| Sidemode Suppression ratio | SSR _{min} | 30 | | | dB | |
| Average launch power of OFF transmitter, per lane | | | | -30 | dBm | |
| Transmitter Reflectance | | | | -12 | dB | |
| Transmitter eye mask definition {X1, X2, X3, Y1, Y2, Y3} | | {0.31, 0.4, 0.45, 0.34, 0.38, 0.4} | | | | 4 |
| Receiver | | | | | | |
| Signaling Speed per Lane | | 25.78125 ± 100 ppm | | | GBd | 5 |
| Lane center wavelengths (range) | | 1264.5 – 1277.5 1284.5 – 1297.5 1304.5 – 1317.5 1324.5 – 1337.5 | | | nm | |
| Receive Saturation (OMA) per Lane | Rmax | 2.5 | | | dBm | |
| Damage threshold per Lane | | 3.5 | | | dBm | |
| Unstressed Receiver Sensitivity (OMA) per Lane | Rxsens | | | -10 | dBm | 6 |
| Stressed Receiver Sensitivity (OMA) per Lane | SRS | | | -7.3 | dBm | 7 |
| Conditions of stressed receiver sensitivity test: | | | | | | |
| Vertical Eye Closure Penalty | VECP | 1.9 | | | dB | |
| Stressed J2 Jitter | J2 | 0.33 | | | UI | |
| Stressed J4 Jitter | J4 | 0.48 | | | UI | |
| SRS eye mask definition {X1, X2, X3, Y1, Y2, Y3} | | {0.39, 0.5, 0.5, 0.39, 0.39, 0.4} | | | | |
| LOS De-Assert | LOS _D | | | -11.6 | dBm | |
| LOS Assert | LOS _A | -24 | | -13.6 | dBm | |
| LOS Hysteresis | | | 1.5 | | dB | |

Notes:

1. Transmitter consists of 4 lasers operating at 25.78Gb/s each.
2. At maximum TDP.
3. TDP value does not include MPI penalty.
4. Hit ratio of 5×10^{-5} , per IEEE.
5. Receiver consists of 4 photodetectors operating at 25.78Gb/s each.
6. Sensitivity is specified at 5×10^{-5} BER.
7. Measured with CWDM4 MSA² conformance test signal at TP3 for 5×10^{-5} BER.
8. Power value and power accuracy are with all channels on.

V. General Specifications

| Parameter | Symbol | Min | Typ | Max | Units | Ref. |
|-------------------------------------|----------|-----|-----|--------------------|-------|------|
| Bit Rate (all wavelengths combined) | BR | | | 103.1 | Gb/s | |
| Bit Error Ratio @25.78Gb/s | BER | | | 5×10^{-5} | | 1 |
| Maximum Supported Reach | | | | | | |
| Fiber Type | | | | | | |
| SMF per G.652 | LossBdgt | | | 5 | dB | 2 |

Notes:

1. Tested with a $2^{31} - 1$ PRBS.
2. This 5 dB loss budget includes 2.5dB optical coding gain from FEC on the host [RS-FEC (528,514) per Clause 91]. The maximum informative link length is 2km. The option to bypass RS-FEC is not supported. Loss budget may include up to 1dB MPI loss penalty with worse case Transmitter and worst case connector MPI.

VI. Environmental Specifications

Finisar FTLC1155RGPL QSFP28 transceivers have an operating case temperature range of 0°C to +70°C.

| Parameter | Symbol | Min | Typ | Max | Units | Ref. |
|----------------------------|------------------|-----|-----|-----|-------|------|
| Case Operating Temperature | T _{op} | 0 | | +70 | °C | |
| Storage Temperature | T _{sto} | -40 | | +85 | °C | |

VII. Regulatory Compliance

Finisar FTLC1155RGPL QSFP28 transceivers are Class 1 Laser Products. They are certified per the following standards:

| Feature | Agency | Standard |
|-------------------|----------|---------------------------------------|
| Laser Eye Safety | FDA/CDRH | CDRH 21 CFR 1040 and Laser Notice 50 |
| | CSA | IEC60825-2:2004+A1+A2 |
| | TüV | EN60825-1:2014 & EN60825-2:2006+A1+A2 |
| Electrical Safety | CSA | IEC60950-1:2005+A1+A2 |
| | TüV | EN60950-1:2006+A11+A1+A12+A2 |
| | UL/CSA | CLASS 3862.13 & CLASS 3862.93 |

Copies of the referenced certificates are available at Finisar Corporation upon request.

VIII. Digital Diagnostics Functions

FTLC1155RGPL QSFP28 transceivers support the I2C-based diagnostics interface specified by the SFF Committee¹. See also Finisar Application Notes AN-2153⁴ and AN-2154⁵.

IX. Memory Contents

Per SFF-8665 Specification¹. See Finisar Application Note AN-2154⁵. For CFP replacement applications, the transceiver module can be customized to enable Tx_Disable and Rx_LOS functions as alternate functions on LPMODE and IntL pins. See Finisar Application Note AN-2174⁸ for more details.

XI. Mechanical Specifications

Finisar FTLC1155RGPL transceivers are compatible with the QSFP28 Specification for pluggable form factor modules.

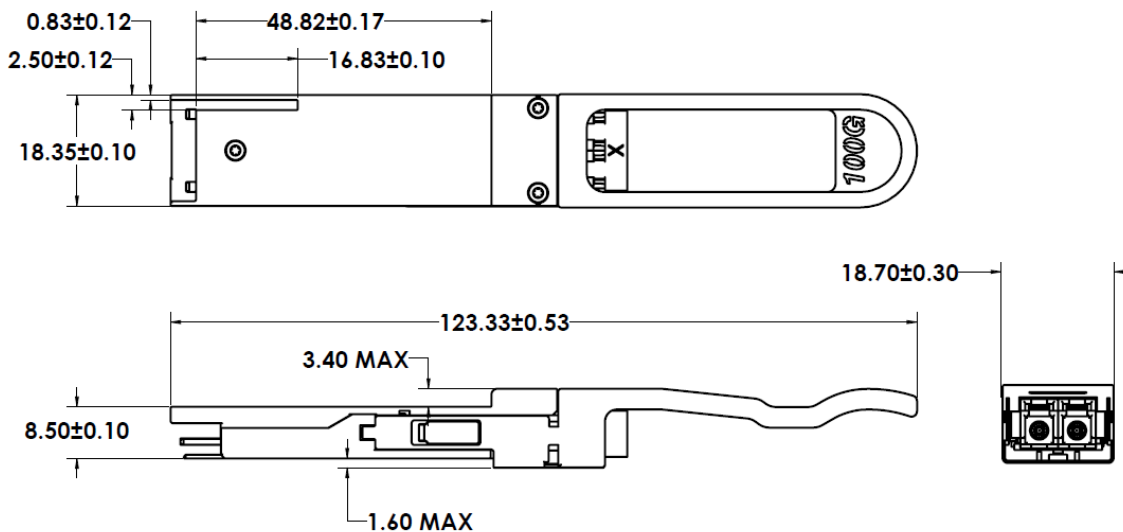


Figure 2. FTLC1155RGPL Mechanical Dimensions.

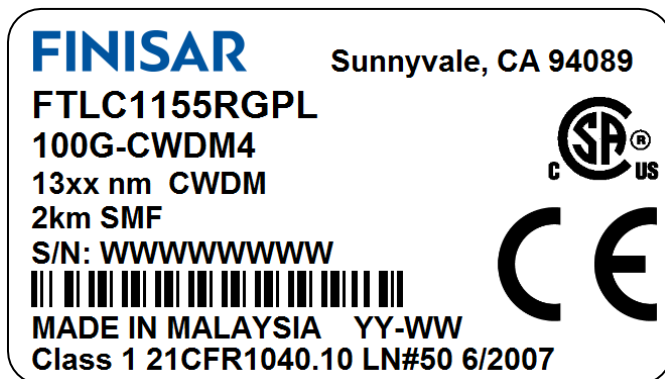


Figure 3. Product Label (Not to Scale)

XII. References

1. SFF-8665: “QSFP+ 28Gb/s 4X Pluggable Transceiver Solution (QSFP28)”, Rev 1.9, June 29, 2015 and associated SFF documents referenced therein:
 - i. SFF-8661
 - ii. SFF-8679
 - iii. SFF-8636
 - iv. SFF-8662
 - v. SFF-8663
 - vi. SFF-8672
 - vii. SFF-8683
2. “100G CWDM4 MSA Technical Specifications: 2km Optical Specifications”, Rev. 1.1, November 23, 2015.
3. IEEE P802.3bm, CAUI-4 Interface.
4. Application Note AN-2153: Initialization, Finisar Corporation.
5. Application Note AN-2154: EEPROM Map, Finisar Corporation.
6. Directive 2011/65/EU of the European Parliament and of the Council, “on the restriction of the use of certain hazardous substances in electrical and electronic equipment,” July 1, 2011.
7. Application Note AN-2038: Finisar Implementation Of RoHS Compliant Transceivers, Finisar Corporation.
8. Application Note AN-2174: QSFP28 LR4 and QSFP28 CWDM4 – Tx_Disable and Rx_LOS Capability, Finisar Corporation.

For More Information:

Finisar Corporation
1389 Moffett Park Drive
Sunnyvale, CA 94089-1133
Tel. 1-408-548-1000
Fax 1-408-541-6138
sales@finisar.com
www.finisar.com

Компания «Океан Электроники» предлагает заключение долгосрочных отношений при поставках импортных электронных компонентов на взаимовыгодных условиях!

Наши преимущества:

- Поставка оригинальных импортных электронных компонентов напрямую с производств Америки, Европы и Азии, а так же с крупнейших складов мира;
- Широкая линейка поставок активных и пассивных импортных электронных компонентов (более 30 млн. наименований);
- Поставка сложных, дефицитных, либо снятых с производства позиций;
- Оперативные сроки поставки под заказ (от 5 рабочих дней);
- Экспресс доставка в любую точку России;
- Помощь Конструкторского Отдела и консультации квалифицированных инженеров;
- Техническая поддержка проекта, помощь в подборе аналогов, поставка прототипов;
- Поставка электронных компонентов под контролем ВП;
- Система менеджмента качества сертифицирована по Международному стандарту ISO 9001;
- При необходимости вся продукция военного и аэрокосмического назначения проходит испытания и сертификацию в лаборатории (по согласованию с заказчиком);
- Поставка специализированных компонентов военного и аэрокосмического уровня качества (Xilinx, Altera, Analog Devices, Intersil, Interpoint, Microsemi, Actel, Aeroflex, Peregrine, VPT, Syfer, Eurofarad, Texas Instruments, MS Kennedy, Miteq, Cobham, E2V, MA-COM, Hittite, Mini-Circuits, General Dynamics и др.);

Компания «Океан Электроники» является официальным дистрибьютором и эксклюзивным представителем в России одного из крупнейших производителей разъемов военного и аэрокосмического назначения «**JONHON**», а так же официальным дистрибьютором и эксклюзивным представителем в России производителя высокотехнологичных и надежных решений для передачи СВЧ сигналов «**FORSTAR**».



JONHON

«**JONHON**» (основан в 1970 г.)

Разъемы специального, военного и аэрокосмического назначения:

(Применяются в военной, авиационной, аэрокосмической, морской, железнодорожной, горно- и нефтедобывающей отраслях промышленности)

«**FORSTAR**» (основан в 1998 г.)

ВЧ соединители, коаксиальные кабели, кабельные сборки и микроволновые компоненты:

(Применяются в телекоммуникациях гражданского и специального назначения, в средствах связи, РЛС, а так же военной, авиационной и аэрокосмической отраслях промышленности).



Телефон: 8 (812) 309-75-97 (многоканальный)

Факс: 8 (812) 320-03-32

Электронная почта: ocean@oceanchips.ru

Web: <http://oceanchips.ru/>

Адрес: 198099, г. Санкт-Петербург, ул. Калинина, д. 2, корп. 4, лит. А