

TLE7250X

High Speed CAN-Transceiver

TLE7250XLE
TLE7250XSJ

Data Sheet

Rev. 1.0, 2015-08-12

Table of Contents

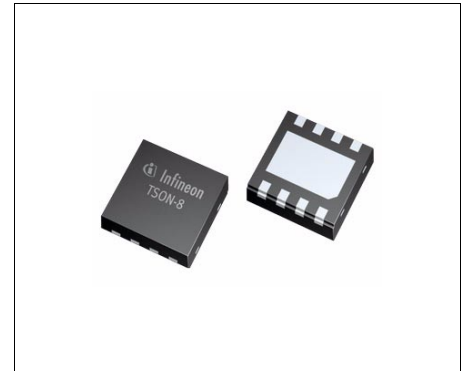
	Table of Contents	2
1	Overview	3
2	Block Diagram	5
3	Pin Configuration	6
3.1	Pin Assignment	6
3.2	Pin Definitions	6
4	Functional Description	8
4.1	High Speed CAN Physical Layer	8
4.2	Modes of Operation	10
4.2.1	Normal-operating Mode	10
4.2.2	Receive-only Mode	10
4.3	Power-up and Undervoltage Condition	11
4.3.1	Power-down State	12
4.3.2	Forced Power-save Mode	12
4.3.3	Power-up	12
4.3.4	Undervoltage on the Digital Supply V_{IO}	13
4.3.5	Undervoltage on the Transmitter Supply V_{CC}	14
4.3.6	Voltage Adaption to the Microcontroller Supply	14
5	Fail Safe Functions	15
5.1	Short Circuit Protection	15
5.2	Unconnected Logic Pins	15
5.3	TxD Time-out Function	15
5.4	Overtemperature Protection	16
5.5	Delay Time for Mode Change	16
6	General Product Characteristics	17
6.1	Absolute Maximum Ratings	17
6.2	Functional Range	18
6.3	Thermal Resistance	18
7	Electrical Characteristics	19
7.1	Functional Device Characteristics	19
7.2	Diagrams	24
8	Application Information	26
8.1	ESD Robustness according to IEC61000-4-2	26
8.2	Application Example	27
8.3	Examples for Mode Changes	28
8.3.1	Mode Change while the TxD Signal is “low”	29
8.3.2	Mode Change while the Bus Signal is “dominant”	30
8.4	Further Application Information	31
9	Package Outline	32
10	Revision History	33



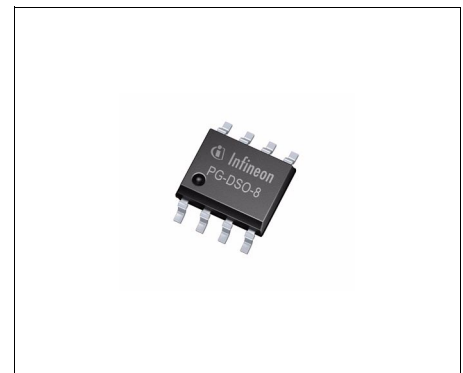
1 Overview

Features

- Fully compatible to ISO 11898-2
- Wide common mode range for electromagnetic immunity (EMI)
- Very low electromagnetic emission (EME)
- Excellent ESD robustness
- Guaranteed loop delay symmetry to support CAN FD data frames up to 2 MBit/s
- V_{IO} input for voltage adaption to the microcontroller supply
- Extended supply range on V_{CC} and V_{IO} supply
- CAN short circuit proof to ground, battery and V_{CC}
- TxD time-out function
- Low CAN bus leakage current in power-down state
- Overtemperature protection
- Protected against automotive transients
- Receive-only mode
- Green Product (RoHS compliant)
- Two package variants: PG-DSO-8 and PG-TSON-8
- AEC Qualified



PG-TSON-8



PG-DSO-8

Description

The TLE7250X is a transceiver designed for HS CAN networks in automotive and industrial applications. As an interface between the physical bus layer and the CAN protocol controller, the TLE7250X drives the signals to the bus and protects the microcontroller against interferences generated within the network. Based on the high symmetry of the CANH and CANL signals, the TLE7250X provides a very low level of electromagnetic emission (EME) within a wide frequency range.

The TLE7250X is available in a small, leadless PG-TSON-8 package and in a PG-DSO-8 package. Both packages are RoHS compliant and halogen free. Additionally the PG-TSON-8 package supports the solder joint requirements for automated optical inspection (AOI). The TLE7250XLE and the TLE7250XSJ are fulfilling or exceeding the requirements of the ISO11898-2.

The TLE7250X provides a digital supply input V_{IO} and a receive-only mode. It is designed to fulfill the enhanced physical layer requirements for CAN FD and supports data rates up to 2 MBit/s.

On the basis of a very low leakage current on the HS CAN bus interface the TLE7250X provides an excellent passive behavior in power-down state. These and other features make the TLE7250X exceptionally suitable for mixed supply HS CAN networks.

Type	Package	Marking
TLE7250XLE	PG-TSON-8	7250X
TLE7250XSJ	PG-DSO-8	7250X

Based on the Infineon Smart Power Technology SPT, the TLE7250X provides excellent ESD immunity together with a very high electromagnetic immunity (EMI). The TLE7250X and the Infineon SPT technology are AEC qualified and tailored to withstand the harsh conditions of the automotive environment.

Two different operating modes, additional fail-safe features like a TxD time-out and the optimized output slew rates on the CANH and CANL signals, make the TLE7250X the ideal choice for large HS CAN networks with high data transmission rates.

2 Block Diagram

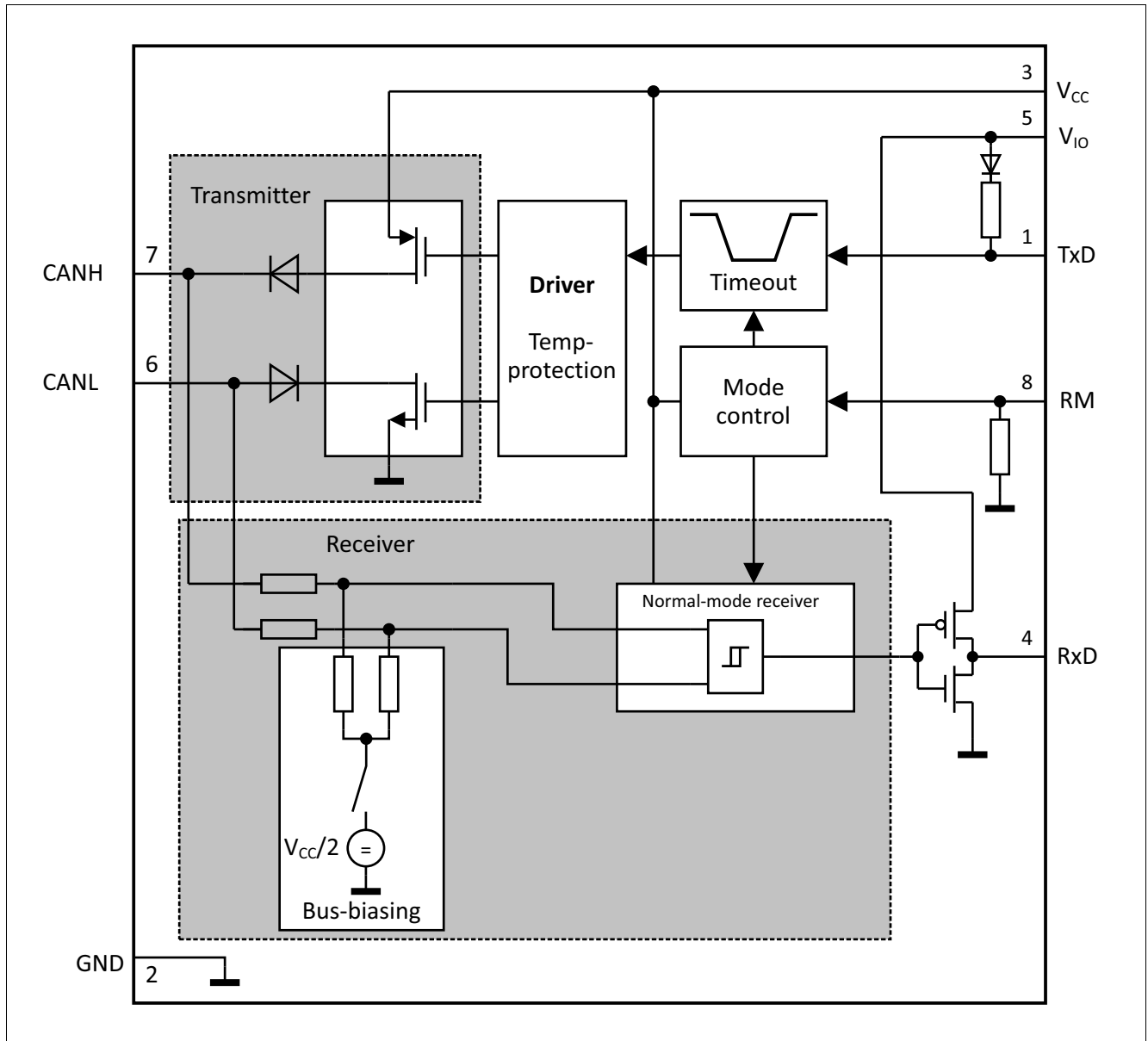


Figure 1 Functional block diagram

3 Pin Configuration

3.1 Pin Assignment

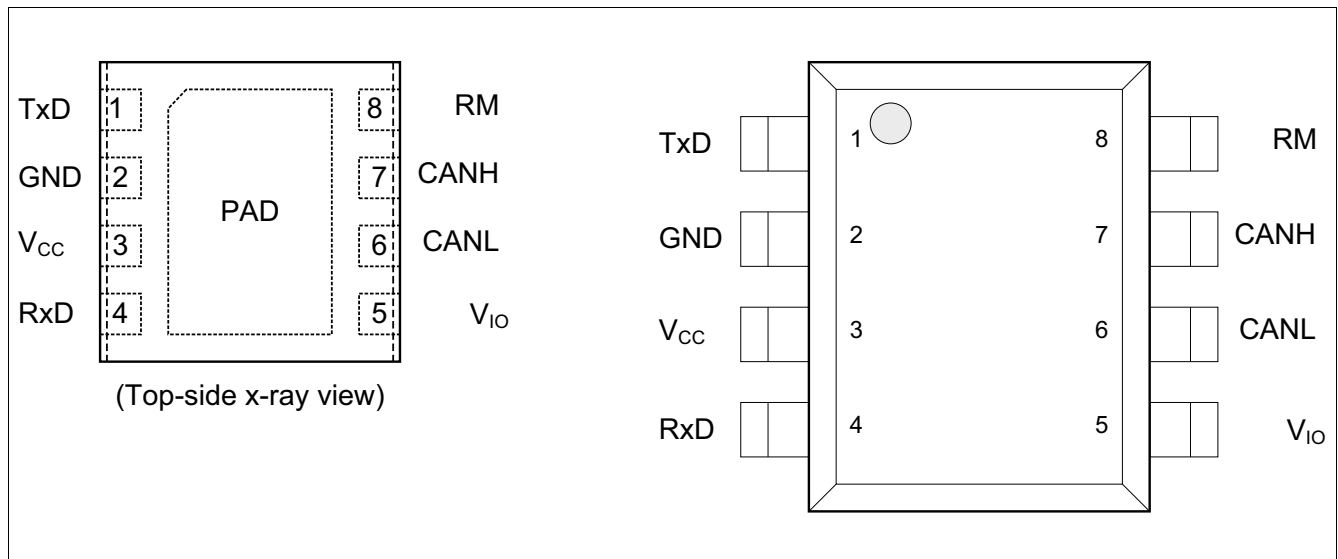


Figure 2 Pin configuration

3.2 Pin Definitions

Table 1 Pin definitions and functions

Pin No.	Symbol	Function
1	TxD	Transmit Data Input; internal pull-up to V_{IO} , “low” for “dominant” state.
2	GND	Ground
3	V_{CC}	Transmitter Supply Voltage; 100 nF decoupling capacitor to GND required.
4	RxD	Receive Data Output; “low” in “dominant” state.
5	V_{IO}	Digital Supply Voltage; supply voltage input to adapt the logical input and output voltage levels of the transceiver to the microcontroller supply, 100 nF decoupling capacitor to GND required.
6	CANL	CAN Bus Low Level I/O; “low” in “dominant” state.
7	CANH	CAN Bus High Level I/O; “high” in “dominant” state.

Table 1 Pin definitions and functions (cont'd)

Pin No.	Symbol	Function
8	RM	Receive-only Mode Input; internal pull-down to GND, "low" for normal-operating mode.
PAD	–	Connect to PCB heat sink area. Do not connect to other potential than GND.

4 Functional Description

HS CAN is a serial bus system that connects microcontrollers, sensors and actuators for real-time control applications. The use of the Controller Area Network (abbreviated CAN) within road vehicles is described by the international standard ISO 11898. According to the 7-layer OSI reference model the physical layer of a HS CAN bus system specifies the data transmission from one CAN node to all other available CAN nodes within the network. The physical layer specification of a CAN bus system includes all electrical and mechanical specifications of a CAN network. The CAN transceiver is part of the physical layer specification. Several different physical layer standards of CAN networks have been developed in recent years. The TLE7250X is a High Speed CAN transceiver without a wake-up function and defined by the international standard ISO 11898-2.

4.1 High Speed CAN Physical Layer

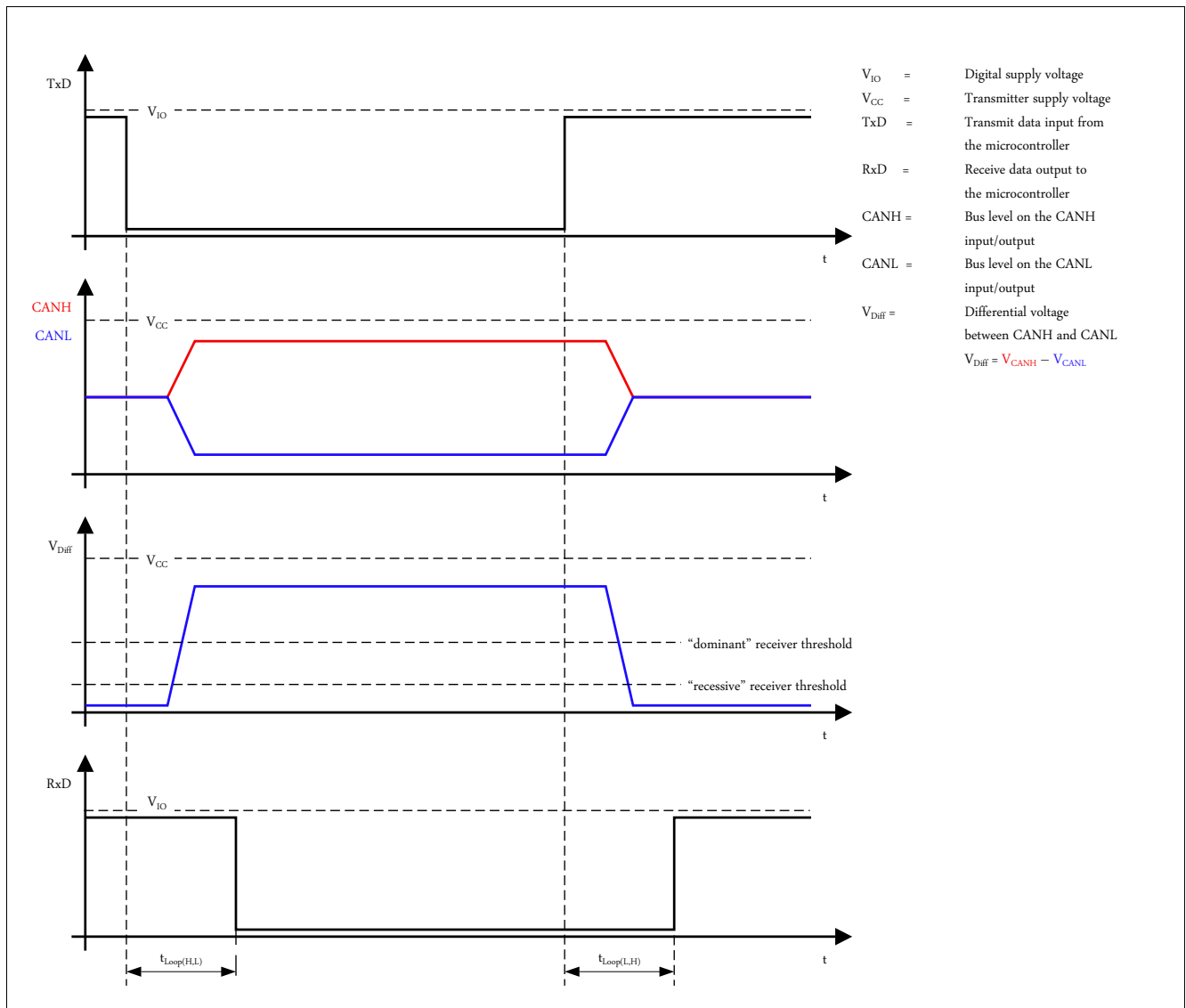


Figure 3 High speed CAN bus signals and logic signals

The TLE7250X is a High-Speed CAN transceiver, operating as an interface between the CAN controller and the physical bus medium. A HS CAN network is a two wire, differential network which allows data transmission rates for CAN FD frames up to 2 MBit/s. Characteristic for HS CAN networks are the two signal states on the HS CAN bus: “dominant” and “recessive” (see [Figure 3](#)).

V_{CC} , V_{IO} and GND are the supply pins for the TLE7250X. The pins CANH and CANL are the interface to the HS CAN bus and operate in both directions, as an input and as an output. RxD and TxD pins are the interface to the CAN controller, the TxD pin is an input pin and the RxD pin is an output pin. The RM pin is the input pin for the mode selection (see [Figure 4](#)).

By setting the TxD input pin to logical “low” the transmitter of the TLE7250X drives a “dominant” signal to the CANH and CANL pins. Setting TxD input to logical “high” turns off the transmitter and the output voltage on CANH and CANL discharges towards the “recessive” level. The “recessive” output voltage is provided by the bus biasing (see [Figure 1](#)). The output of the transmitter is considered to be “dominant”, when the voltage difference between CANH and CANL is at least higher than 1.5 V ($V_{Diff} = V_{CANH} - V_{CANL}$).

Parallel to the transmitter the normal-mode receiver monitors the signal on the CANH and CANL pins and indicates it on the RxD output pin. A “dominant” signal on the CANH and CANL pins sets the RxD output pin to logical “low”, vice versa a “recessive” signal sets the RxD output to logical “high”. The normal-mode receiver considers a voltage difference (V_{Diff}) between CANH and CANL above 0.9 V as “dominant” and below 0.5 V as “recessive”.

To be conform with HS CAN features, like the bit to bit arbitration, the signal on the RxD output has to follow the signal on the TxD input within a defined loop delay $t_{Loop} \leq 255$ ns.

The thresholds of the digital inputs (TxD and RM) and also the RxD output voltage are adapted to the digital power supply V_{IO} .

4.2 Modes of Operation

The TLE7250X supports two different modes of operation, receive-only mode and normal-operating mode while the transceiver is supplied according to the specified functional range. The mode of operation is selected by the RM input pin (see [Figure 4](#)).

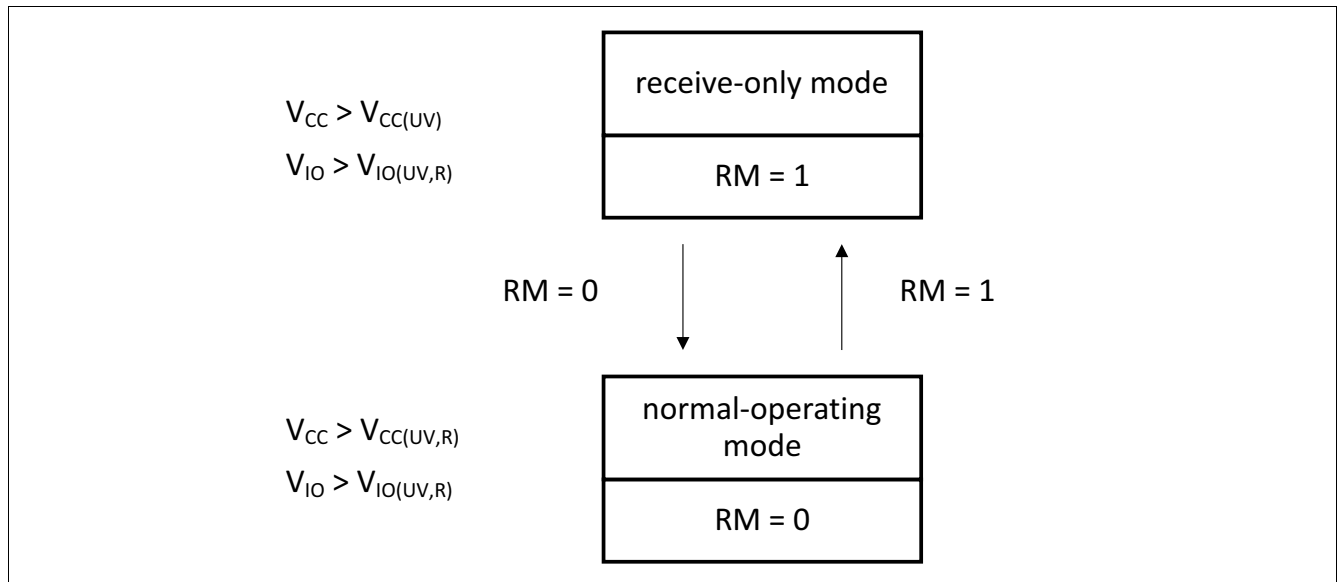


Figure 4 Mode state diagram

4.2.1 Normal-operating Mode

In normal-operating mode the transmitter and the receiver of the HS CAN transceiver TLE7250X are active (see [Figure 1](#)). The HS CAN transceiver sends the serial data stream on the TxD input pin to the CAN bus. The data on the CAN bus is displayed at the RxD pin simultaneously. A logical "low" signal on the RM pin selects the normal-operating mode, while the transceiver is supplied by V_{CC} and V_{IO} (see [Table 2](#) for details).

4.2.2 Receive-only Mode

In receive-only mode the normal-mode receiver is active and the transmitter is turned off. The TLE7250X can receive data from the HS CAN bus, but cannot send any data to the HS CAN bus.

A logical "high" signal on the RM pin selects the receive-only mode, while the transceiver is supplied by V_{CC} and V_{IO} (see [Table 2](#) for details).

4.3 Power-up and Undervoltage Condition

By detecting an undervoltage event, either on the transmitter supply V_{CC} or the digital supply V_{IO} , the transceiver TLE7250X changes the mode of operation. Turning off the digital power supply V_{IO} , the transceiver powers down and remains in the power-down state. While switching off the transmitter supply V_{CC} , the transceiver changes to the forced power-save mode, (details see [Figure 5](#)).

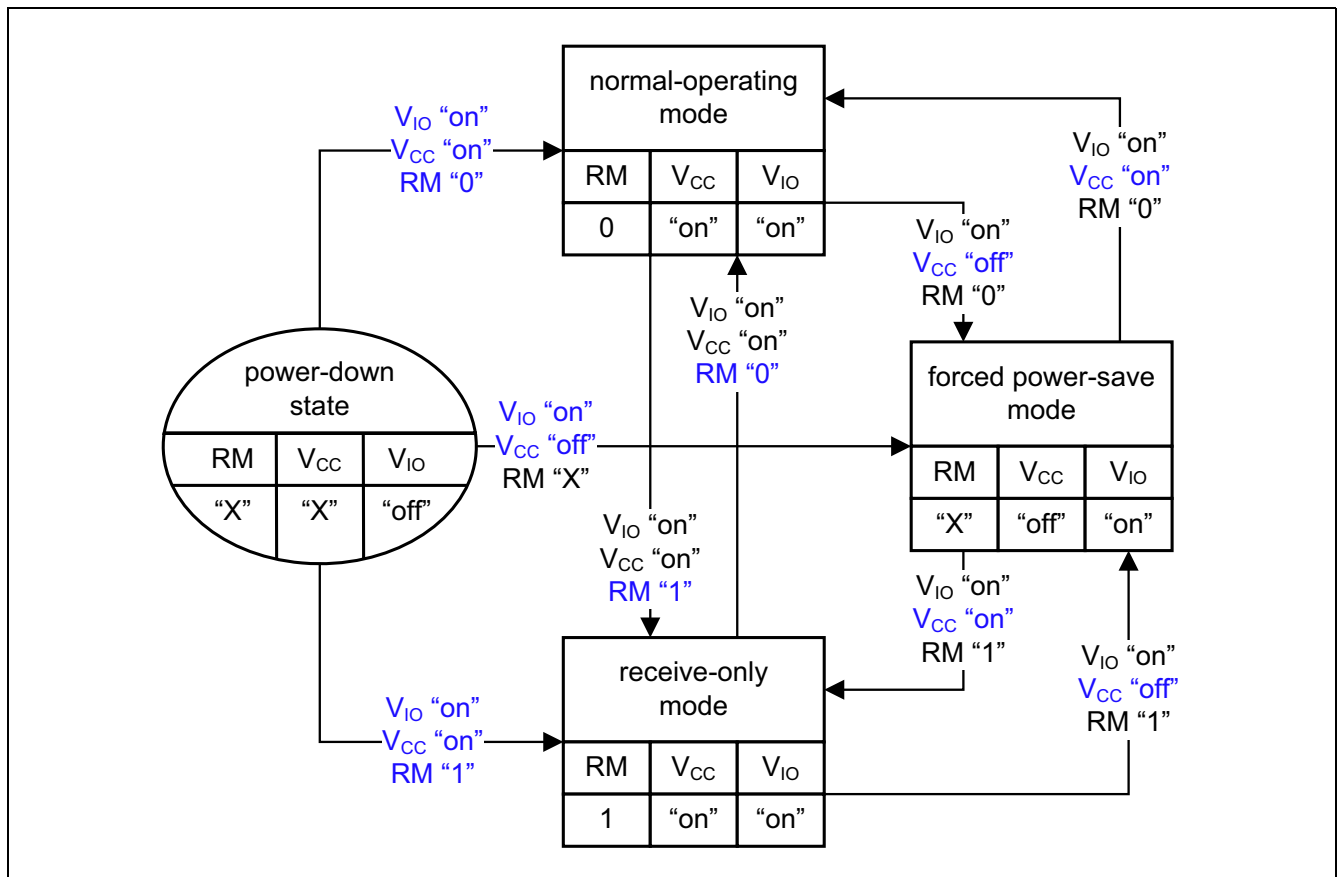


Figure 5 Power-up and undervoltage

Table 2 Modes of operation

Mode	RM	V_{IO}	V_{CC}	Bus Bias	Transmitter	Normal-mode Receiver	Low-power Receiver
Normal-operating	"low"	"on"	"on"	$V_{CC}/2$	"on"	"on"	not available
Receive-only	"high"	"on"	"on"	$V_{CC}/2$	"off"	"on"	not available
Forced power-save	"X"	"on"	"off"	floating	"off"	"off"	not available
Power-down state	"X"	"off"	"X"	floating	"off"	"off"	not available

4.3.1 Power-down State

Independent of the transmitter supply V_{CC} and of the RM input pin, the TLE7250X is in power-down state when the digital supply voltage V_{IO} is turned off (see [Figure 5](#)).

In the power-down state the input resistors of the receiver are disconnected from the bus biasing $V_{CC}/2$. The CANH and CANL bus interface of the TLE7250X is floating and acts as a high-impedance input with a very small leakage current. The high-ohmic input does not influence the “recessive” level of the CAN network and allows an optimized EME performance of the entire HS CAN network (see also [Table 2](#)).

4.3.2 Forced Power-save Mode

The forced power-save mode is a fail-safe mode to avoid any disturbance on the HS CAN bus, while the TLE7250X faces a loss of the transmitter supply V_{CC} .

In forced power-save mode, the transmitter and the normal-mode receiver are turned off and therefore the transceiver TLE7250X can not disturb the bus media.

The RxD output pin is permanently set to logical “high”. The bus biasing is floating (details see [Table 2](#)).

The forced power-save mode can only be entered when the transmitter supply V_{CC} is not available, either by powering up the digital supply V_{IO} only or by turning off the transmitter supply in normal-operating mode or in receive-only mode (see [Figure 5](#)). While the transceiver TLE7250X is in forced power-save mode the RM pin is disabled.

4.3.3 Power-up

The HS CAN transceiver TLE7250X powers up if at least the digital supply V_{IO} is connected to the device. By default the device powers up in normal-operating mode, due to the internal pull-down resistor on the RM pin to GND.

In case the device needs to power-up in receive-only mode, the RM pin needs to be pulled active to logical “high” and the supplies V_{IO} and V_{CC} have to be connected.

By supplying only the digital power supply V_{IO} the TLE7250X powers up in forced power-save mode (see [Figure 5](#)).

4.3.4 Undervoltage on the Digital Supply V_{IO}

If the voltage on V_{IO} supply input falls below the threshold $V_{IO} < V_{IO(U,F)}$, the transceiver TLE7250X powers down and changes to the power-down state.

The undervoltage detection on the digital supply V_{IO} has the highest priority and is independent of the transmitter supply V_{CC} and also independent of the currently selected operating mode, an undervoltage event on V_{IO} always powers down the TLE7250X.

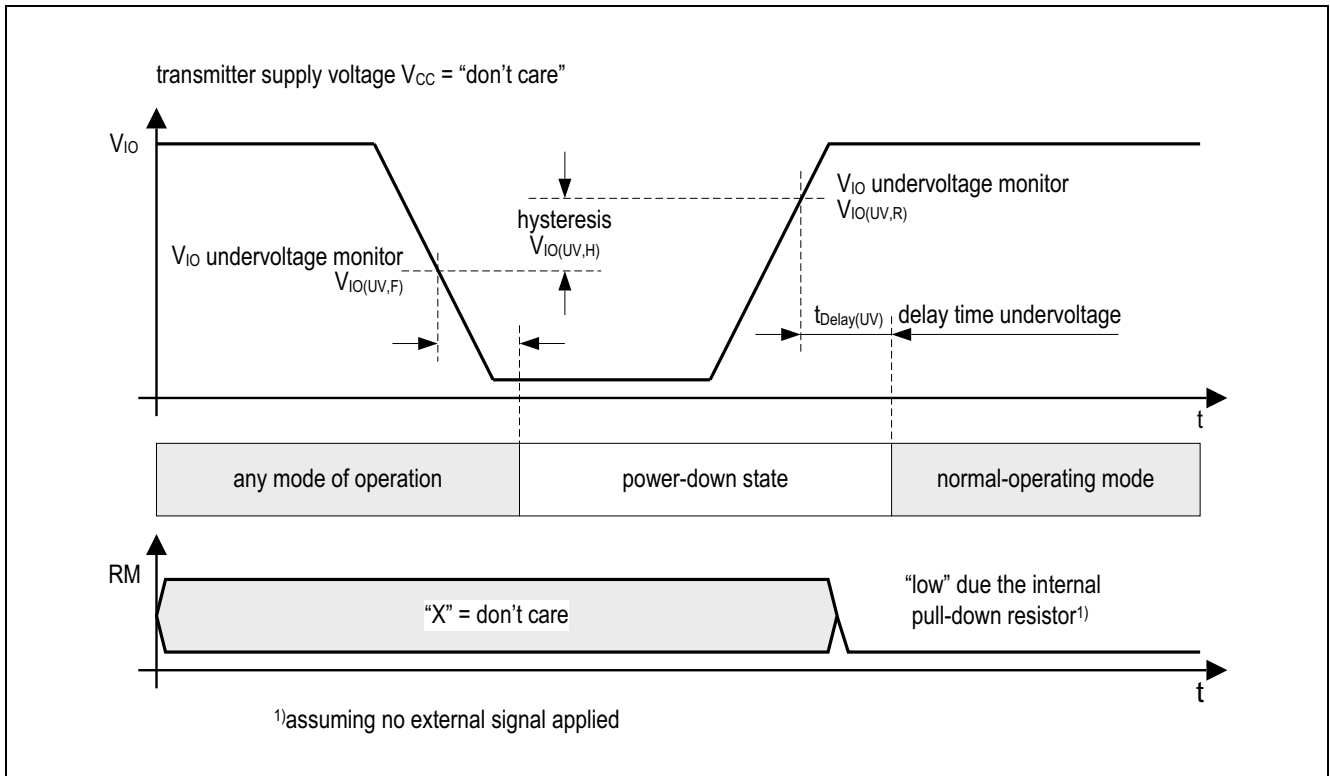


Figure 6 Undervoltage on the digital supply V_{IO}

4.3.5 Undervoltage on the Transmitter Supply V_{CC}

In case the transmitter supply V_{CC} falls below the threshold $V_{CC} < V_{CC(UV,F)}$, the transceiver TLE7250X changes the mode of operation to forced power-save mode. The transmitter and also the normal-mode receiver of the TLE7250X are powered by the V_{CC} supply. In case of an insufficient V_{CC} supply, the TLE7250X can neither transmit the CANH and CANL signals correctly to the bus, nor can it receive them properly. Therefore the TLE7250X blocks the transmitter and the receiver in forced power-save mode (see [Figure 7](#)).

The undervoltage detection on the transmitter supply V_{CC} is active in normal-operating mode and in receive-only mode (see [Figure 5](#)).

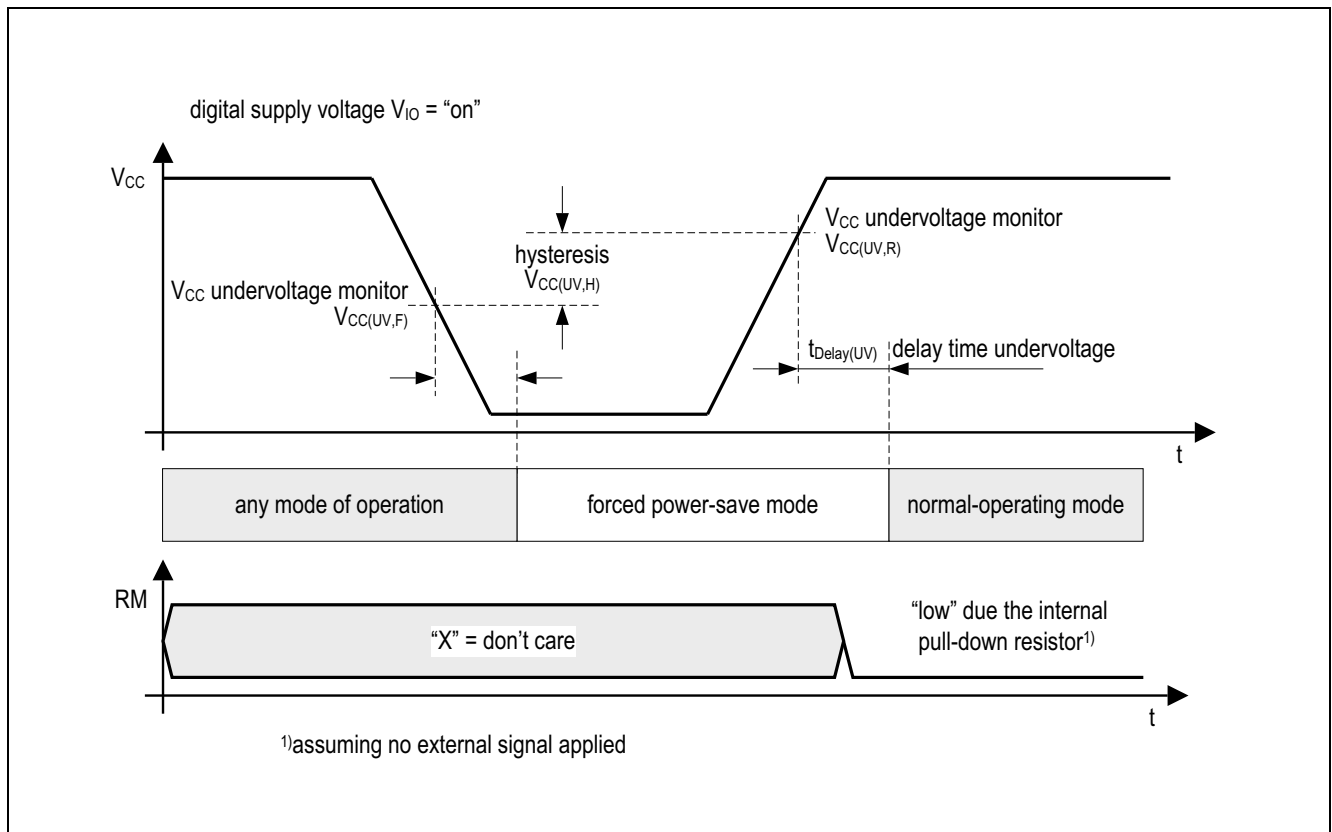


Figure 7 Undervoltage on the transmitter supply V_{CC}

4.3.6 Voltage Adaption to the Microcontroller Supply

The HS CAN transceiver TLE7250X has two different power supplies, V_{CC} and V_{IO} . The power supply V_{CC} supplies the transmitter and the normal-mode receiver. The power supply V_{IO} supplies the digital input and output buffers and it is also the main power domain for the internal logic.

To adjust the digital input and output levels of the TLE7250X to the I/O levels of the external microcontroller, connect the power supply V_{IO} to the microcontroller I/O supply voltage (see [Figure 13](#)).

Note: In case the digital supply voltage V_{IO} is not required in the application, connect the digital supply voltage V_{IO} to the transmitter supply V_{CC} .

5 Fail Safe Functions

5.1 Short Circuit Protection

The CANH and CANL bus outputs are short circuit proof, either against GND or a positive supply voltage. A current limiting circuit protects the transceiver against damages. If the device is heating up due to a continuous short on the CANH or CANL, the internal overtemperature protection switches off the bus transmitter.

5.2 Unconnected Logic Pins

All logic input pins have an internal pull-up resistor to V_{IO} or a pull-down resistor to GND. In case the V_{IO} supply is activated and the logical pins are open, the TLE7250X enters into the normal-operating mode by default. The TxD input is pulled to logical "high" due to the internal pull-up resistor to V_{IO} . The HS CAN transceiver TLE7250X will not influence the data on the CAN bus as long the TxD input pin remains logical "high".

5.3 TxD Time-out Function

The TxD time-out feature protects the CAN bus against permanent blocking in case the logical signal on the TxD pin is continuously "low". A continuous "low" signal on the TxD pin might have its root cause in a locked-up microcontroller or in a short circuit on the printed circuit board, for example. In normal-operating mode, a logical "low" signal on the TxD pin for the time $t > t_{TxD}$ enables the TxD time-out feature and the TLE7250X disables the transmitter (see [Figure 8](#)). The receiver is still active and the data on the bus continues to be monitored by the RxD output pin.

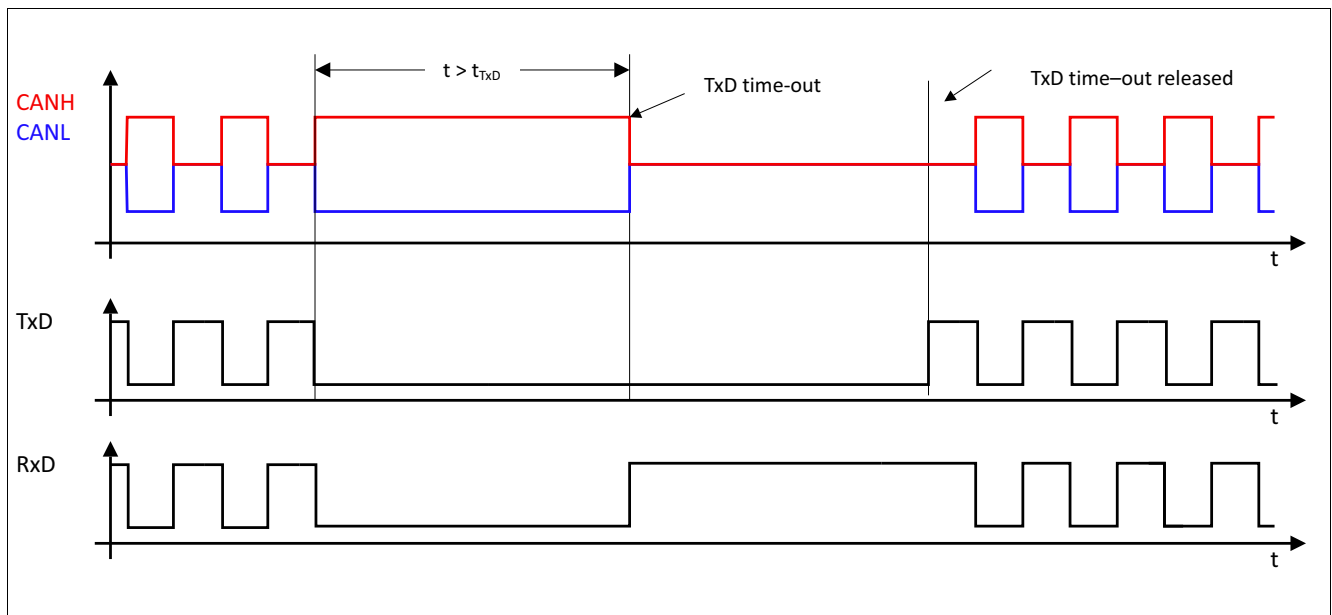


Figure 8 TxD time-out function

Figure 8 illustrates how the transmitter is deactivated and activated again. A permanent "low" signal on the TxD input pin activates the TxD time-out function and deactivates the transmitter. To release the transmitter after a TxD time-out event the TLE7250X requires a signal change on the TxD input pin from logical "low" to logical "high".

5.4 Overtemperature Protection

The TLE7250X has an integrated overtemperature detection to protect the TLE7250X against thermal overstress of the transmitter. The overtemperature protection is active in normal-operating mode and disabled in receive-only mode. In case of an overtemperature condition, the temperature sensor will disable the transmitter (see [Figure 1](#)) while the transceiver remains in normal-operating mode.

After the device has cooled down the transmitter is activated again (see [Figure 9](#)). A hysteresis is implemented within the temperature sensor.

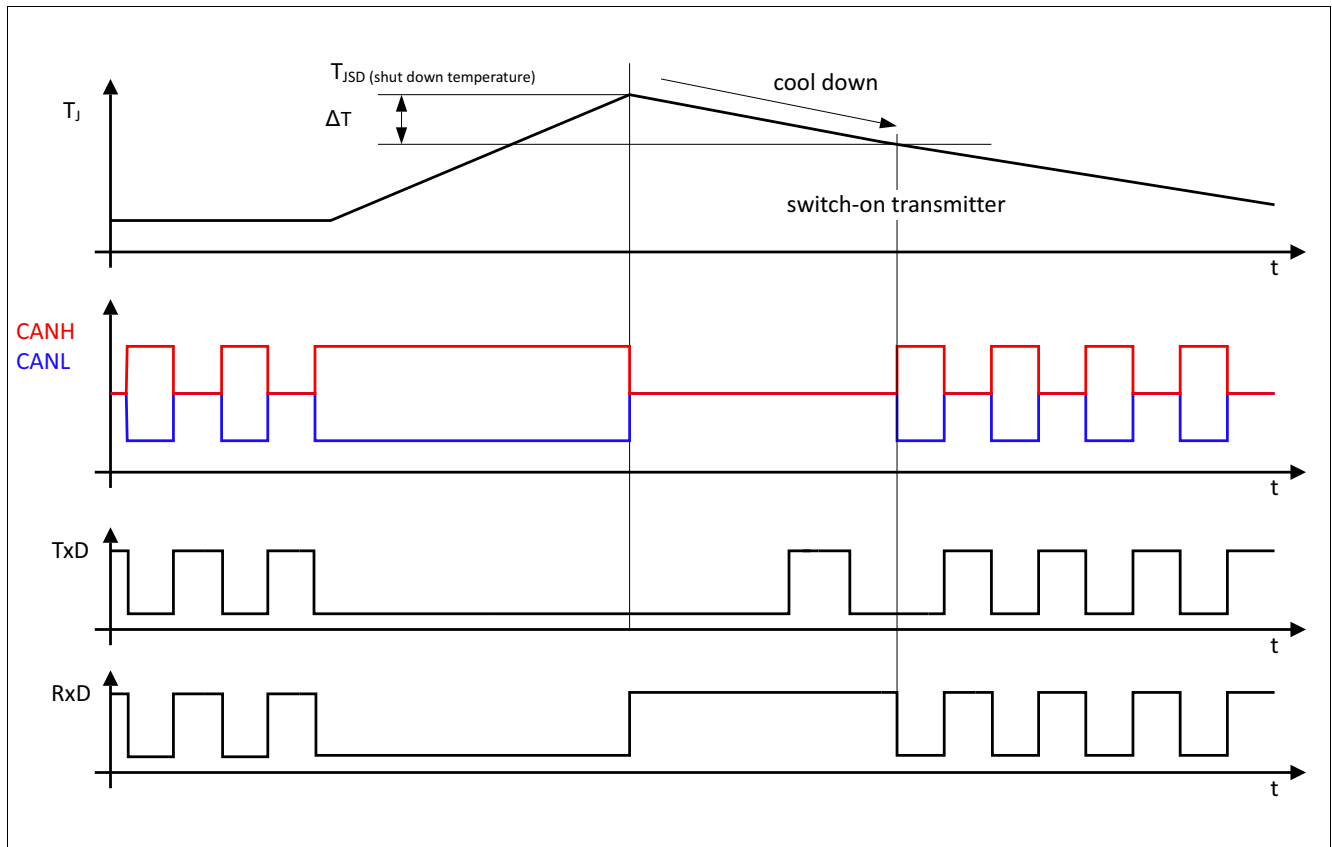


Figure 9 Overtemperature protection

5.5 Delay Time for Mode Change

The HS CAN transceiver TLE7250X changes the mode of operation within the time window t_{Mode} . During the mode change the normal-mode receiver and the Rx/D output are active and reflect the on the HS CAN input pins (see as an example [Figure 14](#) and [Figure 15](#)).

6 General Product Characteristics

6.1 Absolute Maximum Ratings

Table 3 Absolute maximum ratings voltages, currents and temperatures¹⁾

All voltages with respect to ground; positive current flowing into pin;
(unless otherwise specified)

Parameter	Symbol	Values			Unit	Note / Test Condition	Number
		Min.	Typ.	Max.			
Voltages							
Transmitter supply voltage	V_{CC}	-0.3	–	6.0	V	–	P_6.1.1
Digital supply voltage	V_{IO}	-0.3	–	6.0	V	–	P_6.1.2
CANH DC voltage versus GND	V_{CANH}	-40	–	40	V	–	P_6.1.3
CANL DC voltage versus GND	V_{CANL}	-40	–	40	V	–	P_6.1.4
Differential voltage between CANH and CANL	V_{CAN_Diff}	-40	–	40	V	–	P_6.1.5
Voltages at the input pins: RM, TxD	V_{MAX_IN}	-0.3	–	6.0	V	–	P_6.1.6
Voltages at the output pin: RxD	V_{MAX_OUT}	-0.3	–	V_{IO}	V	–	P_6.1.7
Currents							
RxD output current	I_{RxD}	-20	–	20	mA	–	P_6.1.8
Temperatures							
Junction temperature	T_j	-40	–	150	°C	–	P_6.1.9
Storage temperature	T_S	-55	–	150	°C	–	P_6.1.10
ESD Resistivity							
ESD immunity at CANH, CANL versus GND	$V_{ESD_HBM_CAN}$	-9	–	9	kV	HBM (100 pF via 1.5 kΩ) ²⁾	P_6.1.11
ESD immunity at all other pins	$V_{ESD_HBM_ALL}$	-2	–	2	kV	HBM (100 pF via 1.5 kΩ) ²⁾	P_6.1.12
ESD immunity to GND	V_{ESD_CDM}	-750	–	750	V	CDM ³⁾	P_6.1.13

1) Not subject to production test, specified by design

2) ESD susceptibility, Human Body Model "HBM" according to ANSI/ESDA/JEDEC JS-001

3) ESD susceptibility, Charge Device Model "CDM" according to EIA/JESD22-C101 or ESDA STM5.3.1

Note: Stresses above the ones listed here may cause permanent damage to the device. Exposure to absolute maximum rating conditions for extended periods may affect device reliability. Integrated protection functions are designed to prevent IC destruction under fault conditions described in the data sheet. Fault conditions are considered as "outside" normal-operating range. Protection functions are not designed for continuous repetitive operation.

6.2 Functional Range

Table 4 Functional range

Parameter	Symbol	Values			Unit	Note / Test Condition	Number
		Min.	Typ.	Max.			
Supply Voltages							
Transmitter supply voltage	V_{CC}	4.5	–	5.5	V	–	P_6.2.1
Digital supply voltage	V_{IO}	3.0	–	5.5	V	–	P_6.2.2
Thermal Parameters							
Junction temperature	T_j	-40	–	150	°C	¹⁾	P_6.2.3

1) Not subject to production test, specified by design.

Note: Within the functional range the IC operates as described in the circuit description. The electrical characteristics are specified within the conditions given in the related electrical characteristics table.

6.3 Thermal Resistance

Note: This thermal data was generated in accordance with JEDEC JESD51 standards. For more information, please visit www.jedec.org.

Table 5 Thermal resistance¹⁾

Parameter	Symbol	Values			Unit	Note / Test Condition	Number
		Min.	Typ.	Max.			
Thermal Resistances							
Junction to Ambient PG-TSON-8	R_{thJA}	–	55	–	K/W	²⁾ TLE7250XLE	P_6.3.1
Junction to Ambient PG-DSO-8	R_{thJA}	–	130	–	K/W	²⁾ TLE7250XSJ	P_6.3.4
Thermal Shutdown (junction temperature)							
Thermal shutdown temperature	T_{JSD}	150	175	200	°C	–	P_6.3.2
Thermal shutdown hysteresis	ΔT	–	10	–	K	–	P_6.3.3

1) Not subject to production test, specified by design

2) Specified R_{thJA} value is according to Jedec JESD51-2,-7 at natural convection on FR4 2s2p board. The product (TLE7250X) was simulated on a 76.2 x 114.3 x 1.5 mm board with 2 inner copper layers (2 x 70µm Cu, 2 x 35µm Cu).

7 Electrical Characteristics

7.1 Functional Device Characteristics

Table 6 Electrical characteristics

$4.5\text{ V} < V_{CC} < 5.5\text{ V}$; $3.0\text{ V} < V_{IO} < 5.5\text{ V}$; $R_L = 60\ \Omega$; $-40\text{ }^\circ\text{C} < T_j < 150\text{ }^\circ\text{C}$; all voltages with respect to ground; positive current flowing into pin; unless otherwise specified.

Parameter	Symbol	Values			Unit	Note / Test Condition	Number
		Min.	Typ.	Max.			
Current Consumption							
Current consumption at V_{CC} normal-operating mode	I_{CC}	–	2.6	4	mA	“recessive” state, $V_{TxD} = V_{IO}$, $V_{RM} = 0\text{ V}$;	P_7.1.1
Current consumption at V_{CC} normal-operating mode	I_{CC}	–	38	60	mA	“dominant” state, $V_{TxD} = V_{RM} = 0\text{ V}$;	P_7.1.2
Current consumption at V_{IO} normal-operating mode	I_{IO}	–	–	1	mA	$V_{RM} = 0\text{ V}$;	P_7.1.3
Current consumption at V_{CC} receive-only mode	$I_{CC(ROM)}$	–	–	2	mA	$V_{RM} = V_{TxD} = V_{IO}$;	P_7.1.4
Current consumption at V_{IO} receive-only mode	$I_{IO(ROM)}$	–	–	1	mA	$V_{RM} = V_{IO}$;	P_7.1.5
Supply Resets							
V_{CC} undervoltage monitor rising edge	$V_{CC(UV,R)}$	3.8	4.0	4.3	V	–	P_7.1.6
V_{CC} undervoltage monitor falling edge	$V_{CC(UV,F)}$	3.65	3.85	4.3	V	–	P_7.1.26
V_{CC} undervoltage monitor hysteresis	$V_{CC(UV,H)}$	–	150	–	mV	¹⁾	P_7.1.7
V_{IO} undervoltage monitor rising edge	$V_{IO(UV,R)}$	2.0	2.5	3.0	V	–	P_7.1.8
V_{IO} undervoltage monitor falling edge	$V_{IO(UV,F)}$	1.8	2.3	3.0	V	–	P_7.1.27
V_{IO} undervoltage monitor hysteresis	$V_{IO(UV,H)}$	–	200	–	mV	¹⁾	P_7.1.9
V_{CC} and V_{IO} undervoltage delay time	$t_{Delay(UV)}$	–	–	100	μs	¹⁾ (see Figure 6 and Figure 7);	P_7.1.10
Receiver Output RxD							
“High” level output current	$I_{RD,H}$	–	-4	-2	mA	$V_{RxD} = V_{IO} - 0.4\text{ V}$, $V_{Diff} < 0.5\text{ V}$;	P_7.1.11
“Low” level output current	$I_{RD,L}$	2	4	–	mA	$V_{RxD} = 0.4\text{ V}$, $V_{Diff} > 0.9\text{ V}$;	P_7.1.12

Table 6 Electrical characteristics (cont'd)

4.5 V < V_{CC} < 5.5 V; 3.0 V < V_{IO} < 5.5 V; $R_L = 60 \Omega$; $-40 \text{ }^\circ\text{C} < T_j < 150 \text{ }^\circ\text{C}$; all voltages with respect to ground; positive current flowing into pin; unless otherwise specified.

Parameter	Symbol	Values			Unit	Note / Test Condition	Number
		Min.	Typ.	Max.			
Transmission Input TxD							
“High” level input voltage threshold	$V_{\text{TxD,H}}$	–	0.5 $\times V_{\text{IO}}$	0.7 $\times V_{\text{IO}}$	V	“recessive” state;	P_7.1.13
“Low” level input voltage threshold	$V_{\text{TxD,L}}$	0.3 $\times V_{\text{IO}}$	0.4 $\times V_{\text{IO}}$	–	V	“dominant” state;	P_7.1.14
Pull-up resistance	R_{TxD}	10	25	50	k Ω	–	P_7.1.15
Input hysteresis	$V_{\text{HYS(TxD)}}$	–	450	–	mV	¹⁾	P_7.1.16
Input capacitance	C_{TxD}	–	–	10	pF	¹⁾	P_7.1.17
TxD permanent “dominant” timeout	t_{TxD}	4.5	–	16	ms	normal-operating mode;	P_7.1.18
Receive-only Input RM							
“High” level input voltage threshold	$V_{\text{RM,H}}$	–	0.5 $\times V_{\text{IO}}$	0.7 $\times V_{\text{IO}}$	V	receive-only mode;	P_7.1.19
“Low” level input voltage threshold	$V_{\text{RM,L}}$	0.3 $\times V_{\text{IO}}$	0.4 $\times V_{\text{IO}}$	–	V	normal-operating mode;	P_7.1.20
Pull-down resistance	R_{RM}	10	25	50	k Ω	–	P_7.1.21
Input capacitance	C_{RM}	–	–	10	pF	¹⁾	P_7.1.22
Input hysteresis	$V_{\text{HYS(RM)}}$	–	200	–	mV	¹⁾	P_7.1.23
Bus Receiver							
Differential receiver threshold “dominant” normal-operating mode and receive-only mode	$V_{\text{Diff,D}}$	–	0.75	0.9	V	²⁾	P_7.1.24
Differential receiver threshold “recessive” normal-operating mode and receive-only mode	$V_{\text{Diff,R}}$	0.5	0.66	–	V	²⁾	P_7.1.25
Common mode range	CMR	-12	–	12	V	$V_{\text{CC}} = 5 \text{ V}$;	P_7.1.28
Differential receiver hysteresis normal-operating mode	$V_{\text{Diff,hys}}$	–	90	–	mV	¹⁾	P_7.1.29
CANH, CANL input resistance	R_i	10	20	30	k Ω	“recessive” state;	P_7.1.30
Differential input resistance	R_{Diff}	20	40	60	k Ω	“recessive” state;	P_7.1.31
Input resistance deviation between CANH and CANL	ΔR_i	- 1	–	1	%	¹⁾ “recessive” state;	P_7.1.32
Input capacitance CANH, CANL versus GND	C_{In}	–	20	40	pF	¹⁾ $V_{\text{TxD}} = V_{\text{IO}}$;	P_7.1.33
Differential input capacitance	$C_{\text{In,Diff}}$	–	10	20	pF	¹⁾ $V_{\text{TxD}} = V_{\text{IO}}$;	P_7.1.34

Table 6 Electrical characteristics (cont'd)

4.5 V < V_{CC} < 5.5 V; 3.0 V < V_{IO} < 5.5 V; $R_L = 60 \Omega$; $-40^\circ\text{C} < T_j < 150^\circ\text{C}$; all voltages with respect to ground; positive current flowing into pin; unless otherwise specified.

Parameter	Symbol	Values			Unit	Note / Test Condition	Number
		Min.	Typ.	Max.			
Bus Transmitter							
CANL/CANH "recessive" output voltage normal-operating mode	$V_{CANL/H}$	2.0	2.5	3.0	V	$V_{TXD} = V_{IO}$, no load;	P_7.1.35
CANH, CANL "recessive" output voltage difference normal-operating mode	V_{Diff_NM}	-500	–	50	mV	$V_{TXD} = V_{IO}$, no load;	P_7.1.36
CANL "dominant" output voltage normal-operating mode	V_{CANL}	0.5	–	2.25	V	$V_{TXD} = 0\text{ V}$;	P_7.1.38
CANH "dominant" output voltage normal-operating mode	V_{CANH}	2.75	–	4.5	V	$V_{TXD} = 0\text{ V}$;	P_7.1.39
CANH, CANL "dominant" output voltage difference normal-operating mode according to ISO 11898-2 $V_{Diff} = V_{CANH} - V_{CANL}$	V_{Diff}	1.5	–	3.0	V	$V_{TXD} = 0\text{ V}$, $50 \Omega < R_L < 65 \Omega$, $4.75 < V_{CC} < 5.25\text{ V}$;	P_7.1.40
CANH, CANL "dominant" output voltage difference normal-operating mode $V_{Diff} = V_{CANH} - V_{CANL}$	V_{Diff_R45}	1.4	–	3.0	V	$V_{TXD} = 0\text{ V}$, $45 \Omega < R_L < 50 \Omega$, $4.75 < V_{CC} < 5.25\text{ V}$;	P_7.1.37
Driver "dominant" symmetry normal-operating mode $V_{SYM} = V_{CANH} + V_{CANL}$	V_{SYM}	4.5	5	5.5	V	$V_{CC} = 5.0\text{ V}$, $V_{TXD} = 0\text{ V}$;	P_7.1.41
CANL short circuit current	I_{CANLsc}	40	75	100	mA	$V_{CANLshort} = 18\text{ V}$, $V_{CC} = 5.0\text{ V}$, $t < t_{TXD}$, $V_{TXD} = 0\text{ V}$;	P_7.1.42
CANH short circuit current	I_{CANHsc}	-100	-75	-40	mA	$V_{CANHshort} = 0\text{ V}$, $V_{CC} = 5.0\text{ V}$, $t < t_{TXD}$, $V_{TXD} = 0\text{ V}$;	P_7.1.43
Leakage current, CANH	$I_{CANH,ik}$	-5	–	5	μA	$V_{CC} = V_{IO} = 0\text{ V}$, $0\text{ V} < V_{CANH} < 5\text{ V}$, $V_{CANH} = V_{CANL}$;	P_7.1.44
Leakage current, CANL	$I_{CANL,ik}$	-5	–	5	μA	$V_{CC} = V_{IO} = 0\text{ V}$, $0\text{ V} < V_{CANL} < 5\text{ V}$, $V_{CANH} = V_{CANL}$;	P_7.1.45

Table 6 Electrical characteristics (cont'd)

4.5 V < V_{CC} < 5.5 V; 3.0 V < V_{IO} < 5.5 V; $R_L = 60 \Omega$; $-40 \text{ }^\circ\text{C} < T_j < 150 \text{ }^\circ\text{C}$; all voltages with respect to ground; positive current flowing into pin; unless otherwise specified.

Parameter	Symbol	Values			Unit	Note / Test Condition	Number
		Min.	Typ.	Max.			
Dynamic CAN-Transceiver Characteristics							
Propagation delay TxD-to-RxD "low" (“recessive to “dominant”)	$t_{Loop(H,L)}$	–	180	255	ns	$C_L = 100 \text{ pF}$, $4.75 \text{ V} < V_{CC} < 5.25 \text{ V}$, $C_{RxD} = 15 \text{ pF}$;	P_7.1.46
Propagation delay TxD-to-RxD "high" (“dominant” to “recessive”)	$t_{Loop(L,H)}$	–	180	255	ns	$C_L = 100 \text{ pF}$, $4.75 \text{ V} < V_{CC} < 5.25 \text{ V}$, $C_{RxD} = 15 \text{ pF}$;	P_7.1.47
Propagation delay extended load TxD-to-RxD "low" (“recessive to “dominant”)	$t_{Loop_Ext(H,L)}$	–	–	300	ns	¹⁾ $C_L = 200 \text{ pF}$, $R_L = 120 \Omega$, $4.75 \text{ V} < V_{CC} < 5.25 \text{ V}$, $C_{RxD} = 15 \text{ pF}$;	P_7.1.52
Propagation delay extended load TxD-to-RxD "high" (“dominant” to “recessive”)	$t_{Loop_Ext(L,H)}$	–	–	300	ns	¹⁾ $C_L = 200 \text{ pF}$, $R_L = 120 \Omega$, $4.75 \text{ V} < V_{CC} < 5.25 \text{ V}$, $C_{RxD} = 15 \text{ pF}$;	P_7.1.54
Propagation delay TxD "low" to bus "dominant"	$t_{d(L),T}$	–	90	140	ns	$C_L = 100 \text{ pF}$, $4.75 \text{ V} < V_{CC} < 5.25 \text{ V}$, $C_{RxD} = 15 \text{ pF}$;	P_7.1.48
Propagation delay TxD "high" to bus "recessive"	$t_{d(H),T}$	–	90	140	ns	$C_L = 100 \text{ pF}$, $4.75 \text{ V} < V_{CC} < 5.25 \text{ V}$, $C_{RxD} = 15 \text{ pF}$;	P_7.1.49
Propagation delay bus "dominant" to RxD "low"	$t_{d(L),R}$	–	90	140	ns	$C_L = 100 \text{ pF}$, $4.75 \text{ V} < V_{CC} < 5.25 \text{ V}$, $C_{RxD} = 15 \text{ pF}$;	P_7.1.50
Propagation delay bus "recessive" to RxD "high"	$t_{d(H),R}$	–	90	140	ns	$C_L = 100 \text{ pF}$, $4.75 \text{ V} < V_{CC} < 5.25 \text{ V}$, $C_{RxD} = 15 \text{ pF}$;	P_7.1.51
Delay Times							
Delay time for mode change	t_{Mode}	–	–	20	μs	¹⁾ (see Figure 14 and Figure 15);	P_7.1.53

Table 6 Electrical characteristics (cont'd)

4.5 V < V_{CC} < 5.5 V; 3.0 V < V_{IO} < 5.5 V; $R_L = 60 \Omega$; $-40 \text{ }^\circ\text{C} < T_j < 150 \text{ }^\circ\text{C}$; all voltages with respect to ground; positive current flowing into pin; unless otherwise specified.

Parameter	Symbol	Values			Unit	Note / Test Condition	Number
		Min.	Typ.	Max.			
CAN FD Characteristics							
Received recessive bit width at 2 MBit/s	$t_{\text{Bit(RxD)}_2}$ MB	400	500	550	ns	$C_L = 100 \text{ pF}$, $4.75 \text{ V} < V_{CC} < 5.25 \text{ V}$, $C_{\text{RxD}} = 15 \text{ pF}$, $t_{\text{Bit}} = 500 \text{ ns}$, (see Figure 12);	P_7.1.55
Transmitted recessive bit width at 2 MBit/s	$t_{\text{Bit(Bus)}_2}$ MB	435	500	530	ns	$C_L = 100 \text{ pF}$, $4.75 \text{ V} < V_{CC} < 5.25 \text{ V}$, $C_{\text{RxD}} = 15 \text{ pF}$, $t_{\text{Bit}} = 500 \text{ ns}$, (see Figure 12);	P_7.1.56
Receiver timing symmetry at 2 MBit/s $\Delta t_{\text{Rec}} = t_{\text{Bit(RxD)}} - t_{\text{Bit(Bus)}}$	$\Delta t_{\text{Rec_2MB}}$	-65	–	40	ns	$C_L = 100 \text{ pF}$, $4.75 \text{ V} < V_{CC} < 5.25 \text{ V}$, $C_{\text{RxD}} = 15 \text{ pF}$, $t_{\text{Bit}} = 500 \text{ ns}$, (see Figure 12);	P_7.1.57

- 1) Not subject to production test, specified by design.
- 2) In respect to common mode range.

7.2 Diagrams

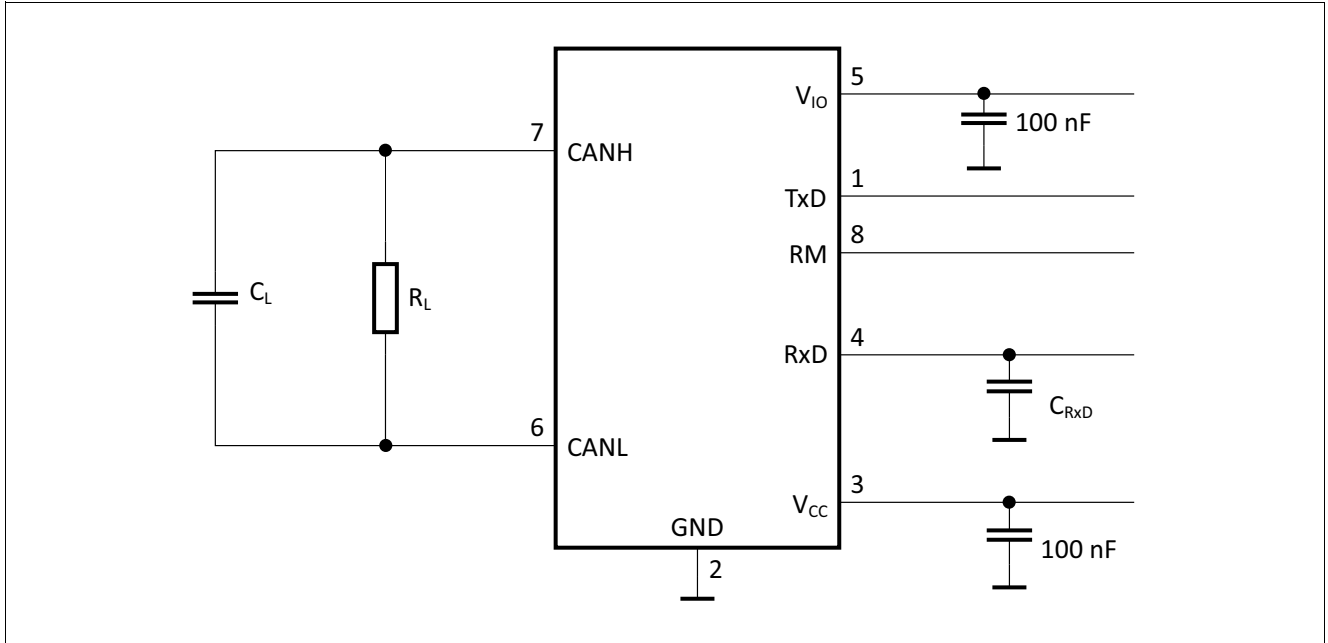


Figure 10 Test circuits for dynamic characteristics

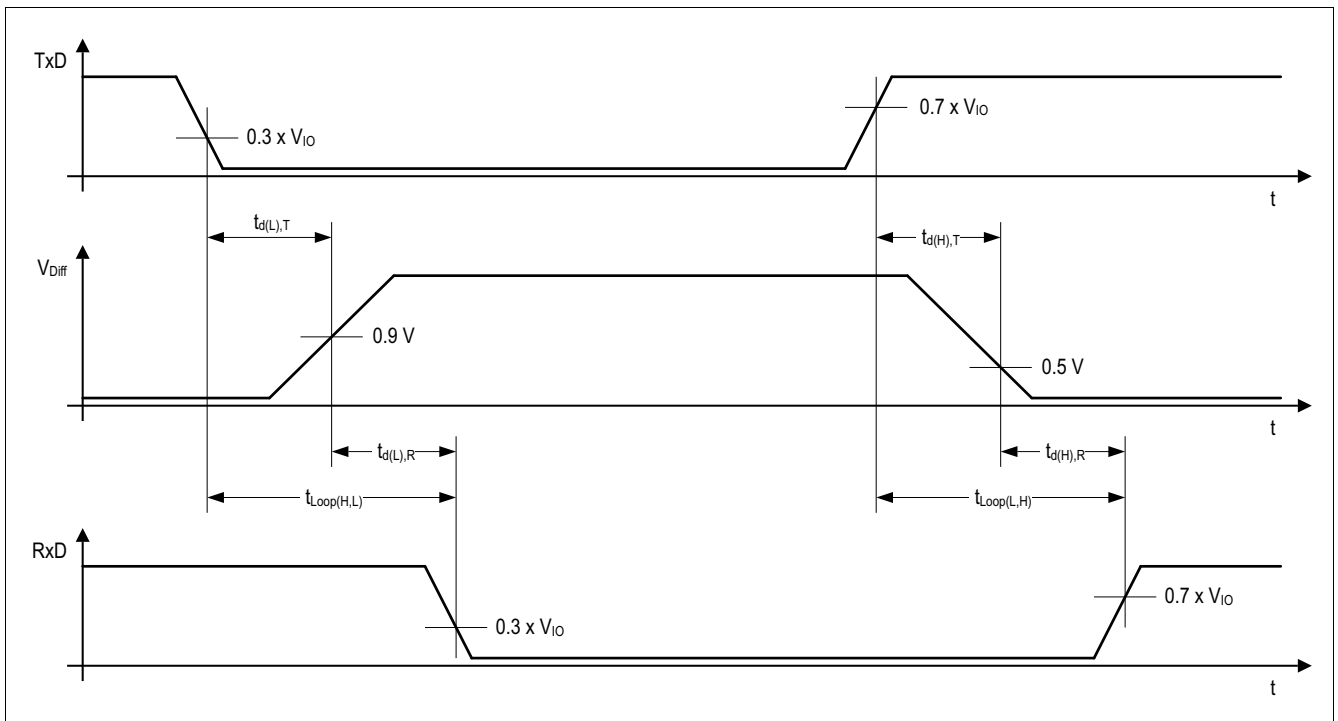


Figure 11 Timing diagrams for dynamic characteristics

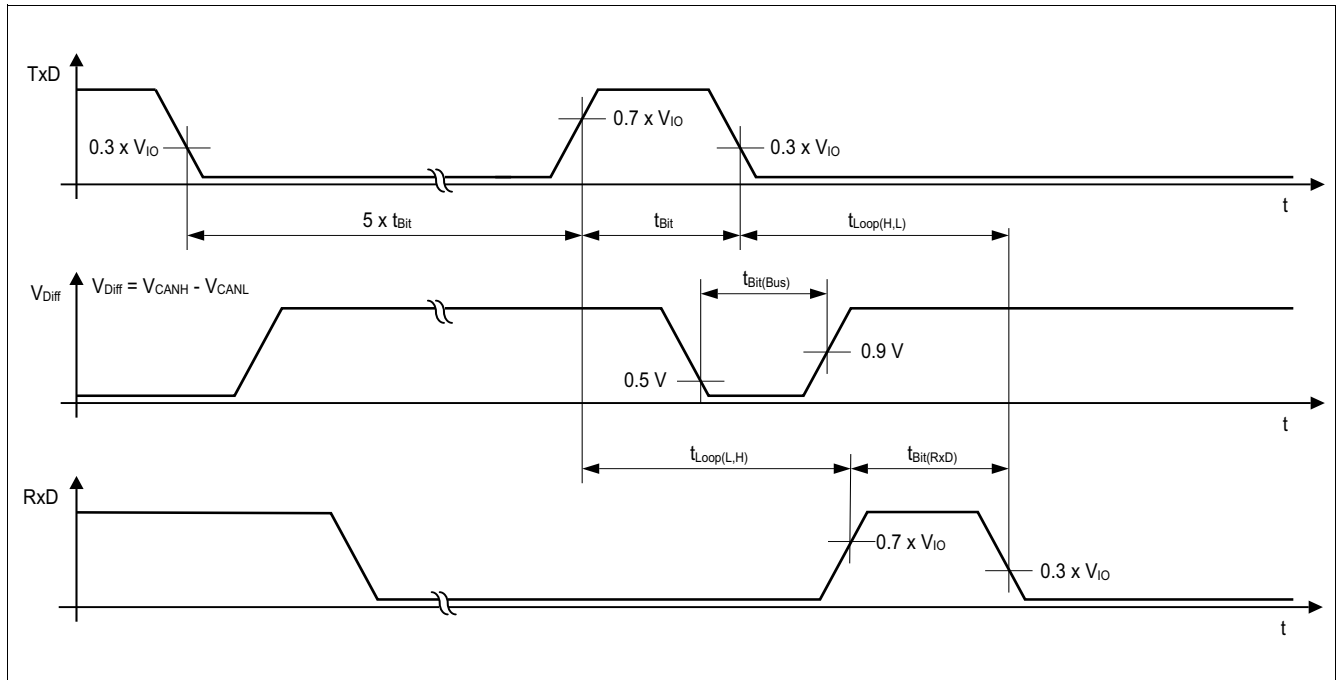


Figure 12 “Recessive” bit time - five “dominant” bits followed by one “recessive” bit

8 Application Information

8.1 ESD Robustness according to IEC61000-4-2

Test for ESD robustness according to IEC61000-4-2 "Gun test" (150 pF, 330 Ω) have been performed. The results and test conditions are available in a separate test report.

Table 7 ESD robustness according to IEC61000-4-2

Performed Test	Result	Unit	Remarks
Electrostatic discharge voltage at pin CANH and CANL versus GND	≥ +8	kV	¹⁾ Positive pulse
Electrostatic discharge voltage at pin CANH and CANL versus GND	≤ -8	kV	¹⁾ Negative pulse

1) ESD susceptibility "ESD GUN" according to GIFT / ICT paper: "EMC Evaluation of CAN Transceivers, version 03/02/IEC TS62228", section 4.3. (DIN EN61000-4-2)
Tested by external test facility (IBEE Zwickau, EMC test report no. TBD).

8.3 Examples for Mode Changes

Changing the status on the RM input pin triggers a change of the operating mode, disregarding the actual signal on the CANH, CANL and TxD pins (see also [Chapter 4.2](#)).

Mode changes are triggered by the RM pin, when the device TLE7250X is fully supplied. Setting the RM pin to logical “low” changes the mode of operation to normal-operating mode:

- The mode change is executed independently of the signal on the HS CAN bus. The CANH, CANL inputs may be either “dominant” or “recessive”. They can be also permanently shorted to GND or V_{CC} .
- A mode change is performed independently of the signal on the TxD input. The TxD input may be either logical “high” or “low”.

Analog to that, changing the RM input pin to logical “high” changes the mode of operation to the receive-only mode independent on the signals at the CANH, CANL and TxD pins.

Note: In case the TxD signal is “low” setting the RM input pin to logical “low” changes the operating mode of the device to normal-operating mode and drives a “dominant” signal to the HS CAN bus.

Note: The TxD time-out is only effective in normal-operating mode. The TxD time-out timer starts when the TLE7250X enters normal-operating mode and the TxD input is set to logical “low”.

8.3.1 Mode Change while the TxD Signal is “low”

The example in [Figure 14](#) shows a mode change to normal-operating mode while the TxD input is logical “low”. The HS CAN signal is “recessive”, assuming all other HS CAN bus subscribers are also sending a “recessive” bus signal.

While the transceiver TLE7250X is in receive-only mode the transmitter is turned off. The TLE7250X drives no signal to the HS CAN bus. The normal-mode receiver is active in receive-only mode and the RxD indicates the “recessive” signal on the HS CAN bus with a logical “high” output signal.

Changing the RM to logical “low” turns the mode of operation to normal-operating mode, while the TxD input remains logical “low”. The transmitter remains disabled until the mode change is completed. The normal-mode receiver remains active also during the mode change. In normal-operating mode the transmitter becomes active and the logical “low” signal on the TxD input drives a “dominant” signal to the HS CAN bus. The “dominant” bus signal is indicated on the RxD output by a logical “low” signal.

Changing the RM pin back to logical “high”, disables the transmitter. The normal-mode receiver and the RxD output remain active and the “recessive” bus signal is indicated on the RxD output by a logical “high” signal.

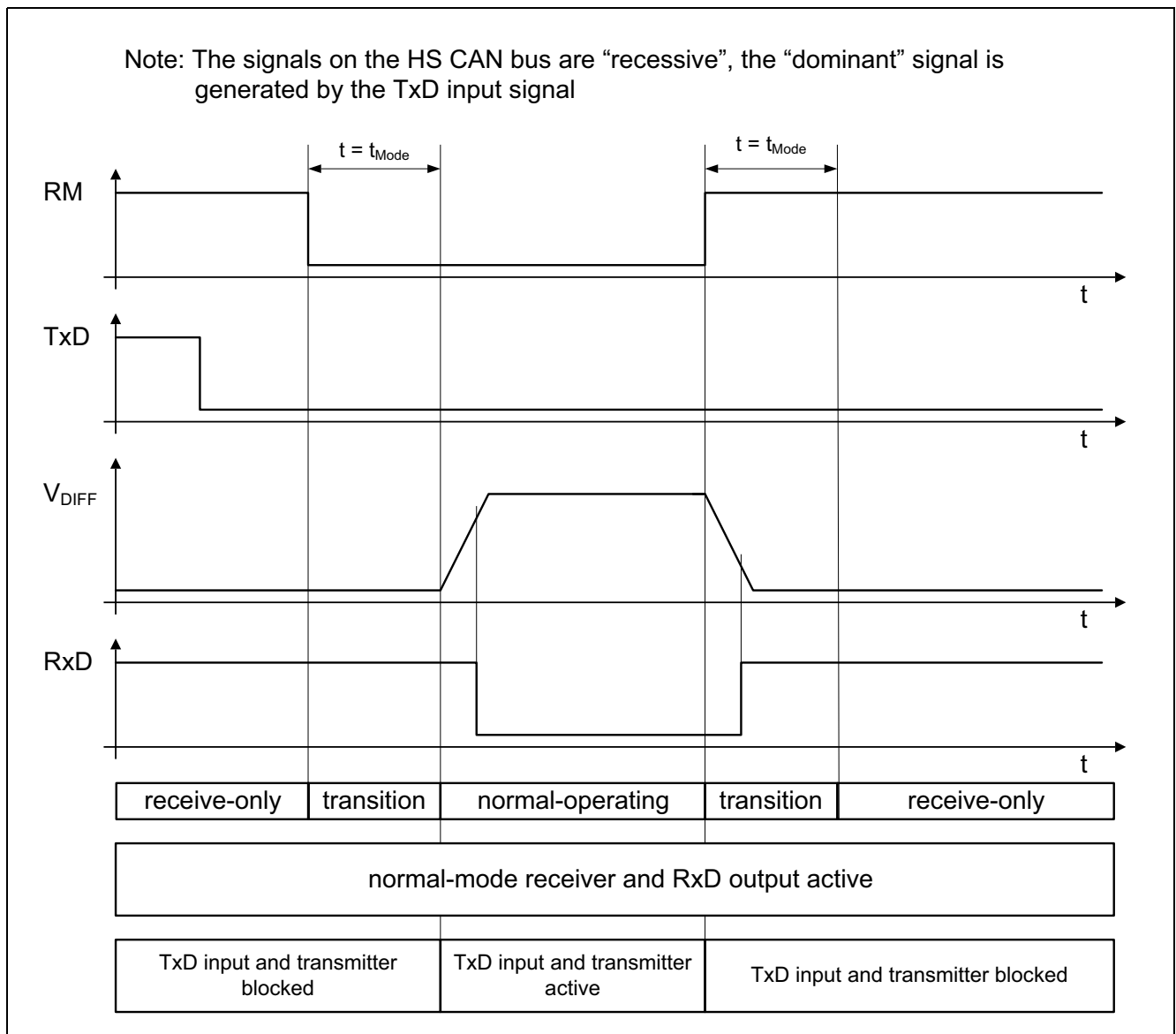


Figure 14 Example for a mode change while the TxD is “low”

8.3.2 Mode Change while the Bus Signal is “dominant”

The example in [Figure 15](#) shows a mode change while the bus is “dominant” and the TxD input signal is set to logical “high”.

While the transceiver TLE7250X is in receive-only mode the transmitter is turned off. The TLE7250X drives no signal to the HS CAN bus. The normal-mode receiver is active in receive-only mode and the RxD indicates the “dominant” signal on the HS CAN bus with a logical “low” output signal.

Changing the RM to logical “low” turns the mode of operation to normal-operating mode, while the TxD input remains logical “high”. The transmitter remains disabled until the mode change is completed. The normal-mode receiver remains active also during the mode change. In normal-operating mode the transmitter becomes active, the bus remains “dominant” since the bus signal is driven from another HS CAN bus subscriber. The “dominant” bus signal is indicated on the RxD output by a logical “low” signal.

Regardless which mode of operation is selected by the RM input pin, the RxD output indicates the signal on the HS CAN bus. Also during the mode transition from receive-only mode to normal-operating mode or vice versa.

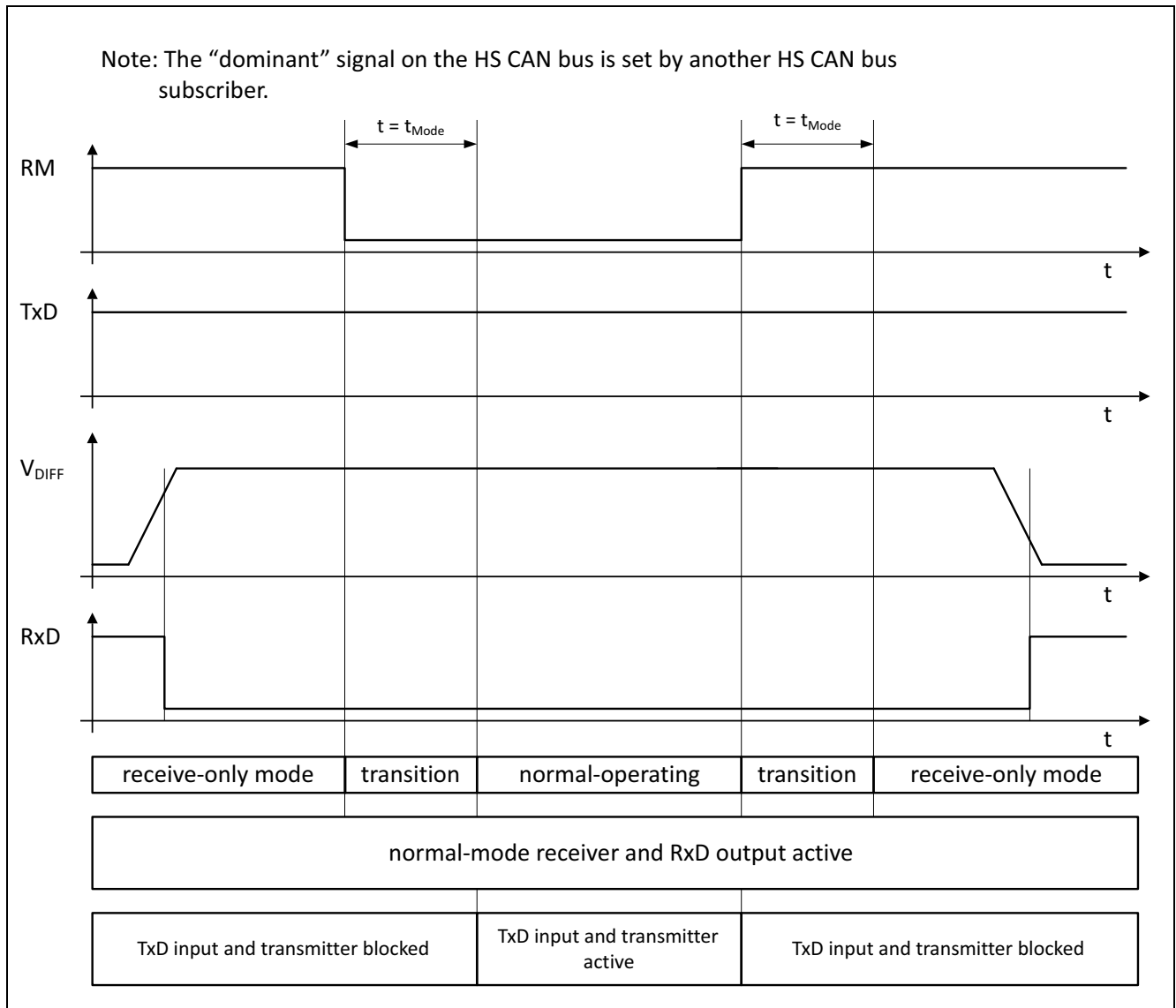


Figure 15 Example for a mode change while the HS CAN is “dominant”

8.4 Further Application Information

- Please contact us for information regarding the pin FMEA.
- Existing application note.
- For further information you may visit: <http://www.infineon.com/>

9 Package Outline

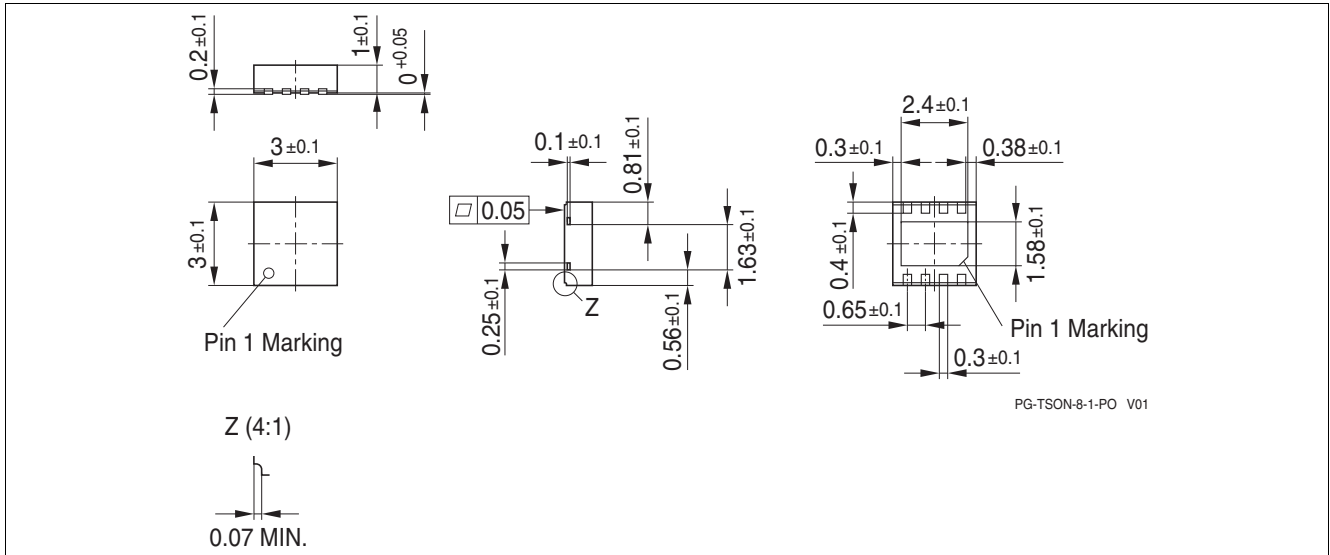


Figure 16 PG-TSON-8 (Plastic Thin Small Outline Nonleaded PG-TSON-8-1)

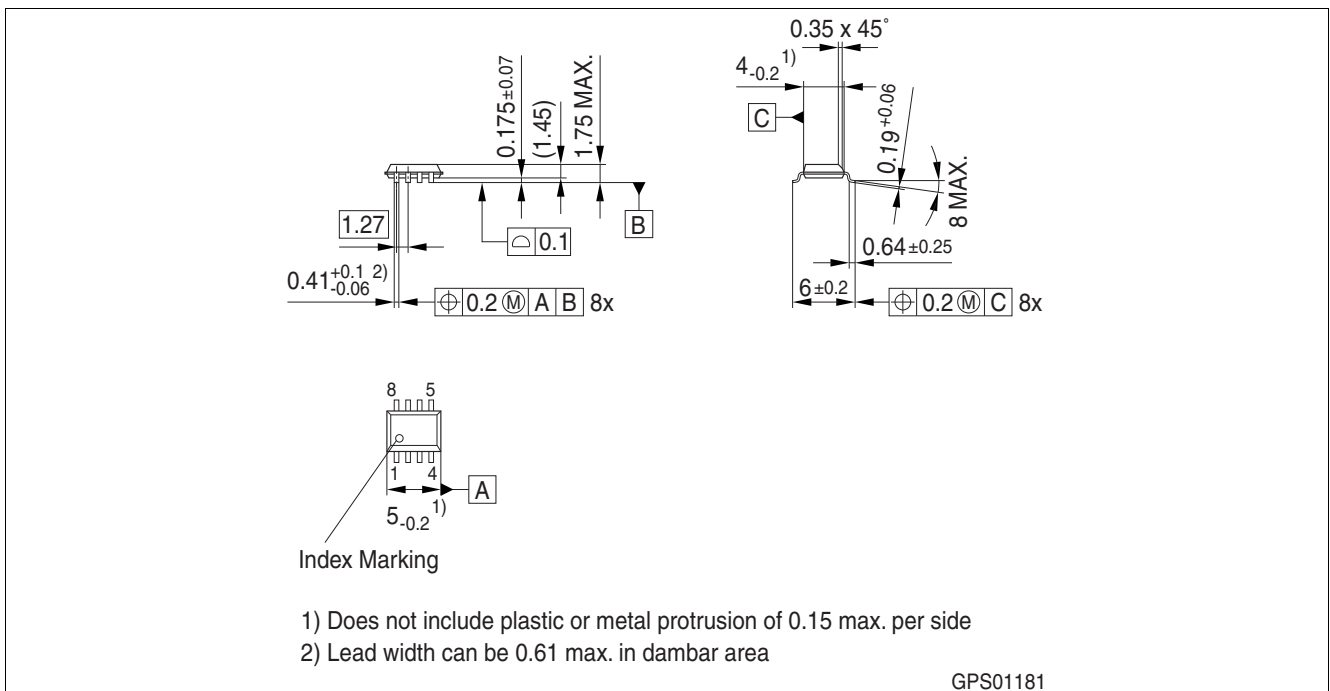


Figure 17 PG-DSO-8 (Plastic Dual Small Outline PG-DSO-8-44)

Green Product (RoHS compliant)

To meet the world-wide customer requirements for environmentally friendly products and to be compliant with government regulations the device is available as a green product. Green products are RoHS compliant (i.e. Pb-free finish on leads and suitable for Pb-free soldering according to IPC/JEDEC J-STD-020).

For further information on alternative packages, please visit our website:

<http://www.infineon.com/packages>.

Dimensions in mm

10 Revision History

Revision	Date	Changes
1.0	2015-08-12	Data Sheet created.

Edition 2015-08-12

**Published by
Infineon Technologies AG
81726 Munich, Germany**

**© 2006 Infineon Technologies AG
All Rights Reserved.**

Legal Disclaimer

The information given in this document shall in no event be regarded as a guarantee of conditions or characteristics. With respect to any examples or hints given herein, any typical values stated herein and/or any information regarding the application of the device, Infineon Technologies hereby disclaims any and all warranties and liabilities of any kind, including without limitation, warranties of non-infringement of intellectual property rights of any third party.

Information

For further information on technology, delivery terms and conditions and prices, please contact the nearest Infineon Technologies Office (www.infineon.com).

Warnings

Due to technical requirements, components may contain dangerous substances. For information on the types in question, please contact the nearest Infineon Technologies Office.

Infineon Technologies components may be used in life-support devices or systems only with the express written approval of Infineon Technologies, if a failure of such components can reasonably be expected to cause the failure of that life-support device or system or to affect the safety or effectiveness of that device or system. Life support devices or systems are intended to be implanted in the human body or to support and/or maintain and sustain and/or protect human life. If they fail, it is reasonable to assume that the health of the user or other persons may be endangered.

Mouser Electronics

Authorized Distributor

Click to View Pricing, Inventory, Delivery & Lifecycle Information:

[Infineon:](#)

[TLE7250XLEXUMA1](#) [TLE7250XSJXUMA1](#)

Компания «Океан Электроники» предлагает заключение долгосрочных отношений при поставках импортных электронных компонентов на взаимовыгодных условиях!

Наши преимущества:

- Поставка оригинальных импортных электронных компонентов напрямую с производств Америки, Европы и Азии, а так же с крупнейших складов мира;
- Широкая линейка поставок активных и пассивных импортных электронных компонентов (более 30 млн. наименований);
- Поставка сложных, дефицитных, либо снятых с производства позиций;
- Оперативные сроки поставки под заказ (от 5 рабочих дней);
- Экспресс доставка в любую точку России;
- Помощь Конструкторского Отдела и консультации квалифицированных инженеров;
- Техническая поддержка проекта, помощь в подборе аналогов, поставка прототипов;
- Поставка электронных компонентов под контролем ВП;
- Система менеджмента качества сертифицирована по Международному стандарту ISO 9001;
- При необходимости вся продукция военного и аэрокосмического назначения проходит испытания и сертификацию в лаборатории (по согласованию с заказчиком);
- Поставка специализированных компонентов военного и аэрокосмического уровня качества (Xilinx, Altera, Analog Devices, Intersil, Interpoint, Microsemi, Actel, Aeroflex, Peregrine, VPT, Syfer, Eurofarad, Texas Instruments, MS Kennedy, Miteq, Cobham, E2V, MA-COM, Hittite, Mini-Circuits, General Dynamics и др.);

Компания «Океан Электроники» является официальным дистрибьютором и эксклюзивным представителем в России одного из крупнейших производителей разъемов военного и аэрокосмического назначения «**JONHON**», а так же официальным дистрибьютором и эксклюзивным представителем в России производителя высокотехнологичных и надежных решений для передачи СВЧ сигналов «**FORSTAR**».



JONHON

«**JONHON**» (основан в 1970 г.)

Разъемы специального, военного и аэрокосмического назначения:

(Применяются в военной, авиационной, аэрокосмической, морской, железнодорожной, горно- и нефтедобывающей отраслях промышленности)

«**FORSTAR**» (основан в 1998 г.)

ВЧ соединители, коаксиальные кабели, кабельные сборки и микроволновые компоненты:

(Применяются в телекоммуникациях гражданского и специального назначения, в средствах связи, РЛС, а так же военной, авиационной и аэрокосмической отраслях промышленности).



Телефон: 8 (812) 309-75-97 (многоканальный)

Факс: 8 (812) 320-03-32

Электронная почта: ocean@oceanchips.ru

Web: <http://oceanchips.ru/>

Адрес: 198099, г. Санкт-Петербург, ул. Калинина, д. 2, корп. 4, лит. А