

Features

- Maximum rated frequency: 133 MHz
- Low cycle-to-cycle jitter
- Input to output delay, less than 300ps
- Internal feedback allows outputs to be synchronized to the clock input
- 5V tolerant input*
- Spread spectrum clock ready
- Operates at 3.3V V_{DD}
- Packaging (Pb-free & Green available):
 - 8-pin, 150-mil SOIC (W)
 - 8-pin, 173-mil TSSOP (L)

* CLKIN must reference the same voltage thresholds for the PLL to deliver zero delay skewing

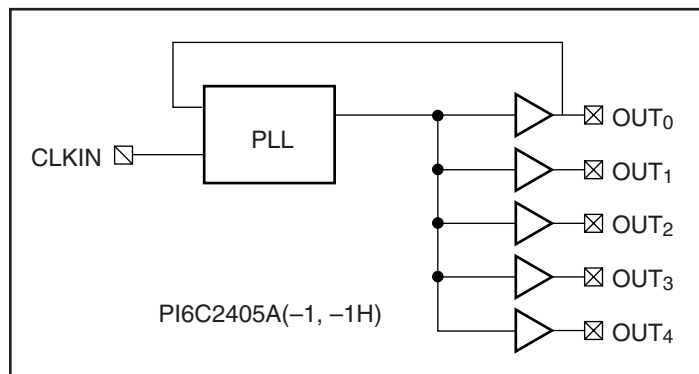
Description

The PI6C2405A is a PLL based, zero-delay buffer, with the ability to distribute five outputs of up to 133MHz at 3.3V. All the outputs are distributed from a single clock input CLKIN and output OUT0 performs zero delay by connecting a feedback to PLL.

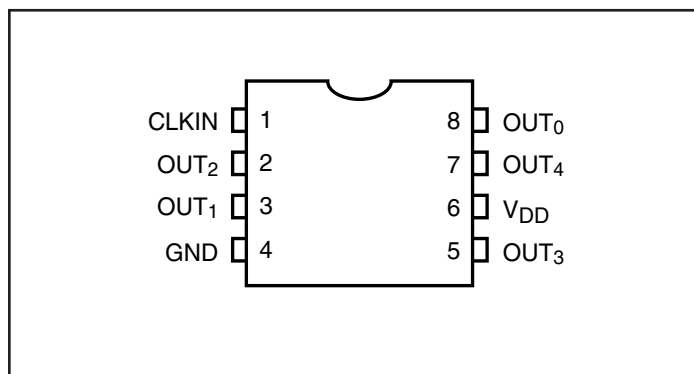
An internal feedback on OUT0 is used to synchronize the outputs to the input; the relationship between loading of this signal and the outputs determines the input-output delay. PI6C2405A is able to track spread spectrum clocking for EMI reduction. PI6C2405A is characterized for both commercial and industrial operation.

PI6C2405A-1H is a high-drive version of PI6C2405A-1

Block Diagram



Pin Configuration

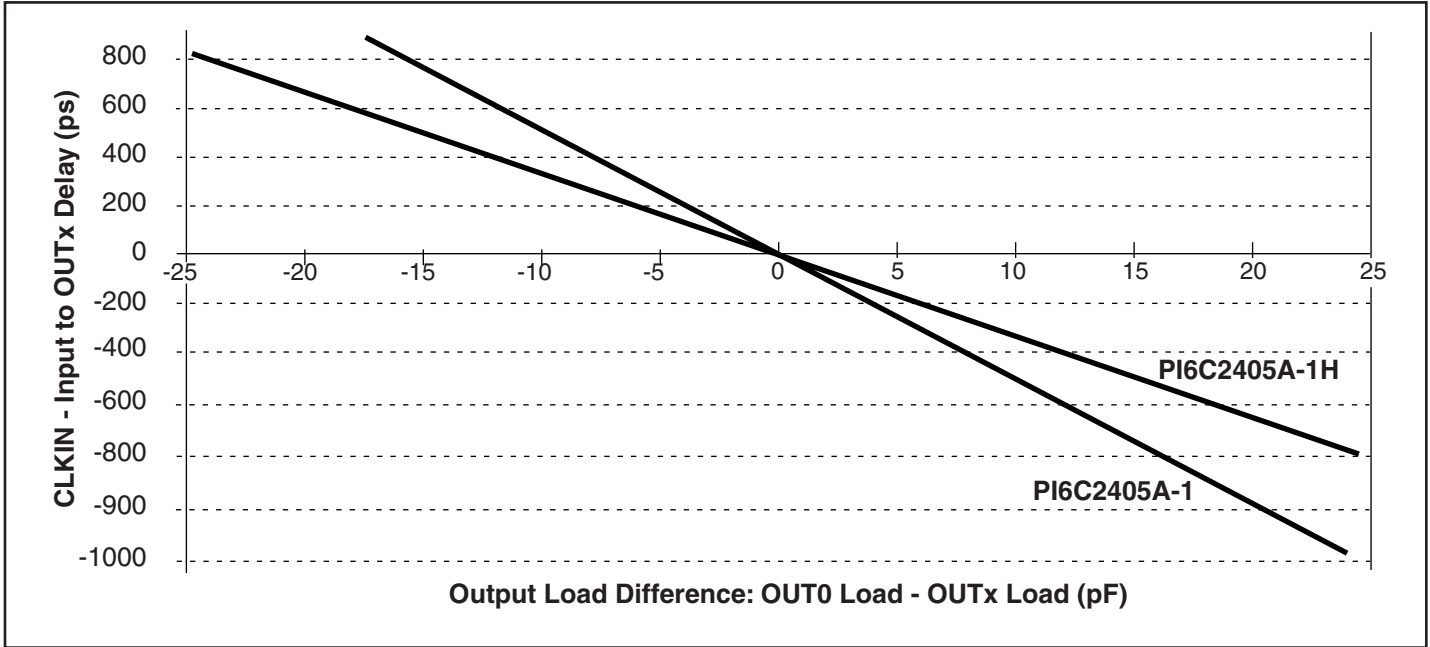


Pin Description

| Pin | Signal | Description |
|------------|-----------------|---|
| 1 | CLKIN | Input clock reference frequency (weak pull-down) |
| 2, 3, 5, 7 | OUT[1-4] | Clock Outputs |
| 4 | GND | Ground |
| 6 | V _{DD} | 3.3V Supply |
| 8 | OUT0 | Clockoutput, internal PLL feedback (weak pull-down) |

Zero Delay and Skew Control

CLKIN Input to OUTx Delay vs. Difference in Loading between OUT0 pin and OUTx pins



The relationship between loading of the OUT0 signal and other outputs determines the input-output delay. Zero delay is achieved when all outputs, including feedback, are loaded equally.

Maximum Ratings

| | |
|--|--------------------------------|
| Supply Voltage to Ground Potential..... | -0.5V to +7.0V |
| DC Input Voltage (Except CLKIN)..... | -0.5V to V _{DD} +0.5V |
| DC Input Voltage CLKIN | -0.5 to 7V |
| Storage Temperature | -65°C to +150°C |
| Maximum Soldering Temperature (10 seconds) | 260°C |
| Junction Temperature | 150°C |
| Static Discharge Voltage (per MIL-STD-883, Method 3015)..... | >2000V |

Operating Conditions (V_{CC} = 3.3V ±0.3V)

| Parameter | Description | Min. | Max. | Units |
|-----------------|---------------------------------------|------|------|-------|
| V _{DD} | Supply Voltage | 3.0 | 3.6 | V |
| T _A | Commerical Operating Temperature | 0 | 70 | °C |
| | Industrial Operating Temperature | -40 | 85 | |
| C _L | Load Capacitance, below 100 MHz | | 30 | pF |
| | Load Capacitance, from 100 MHz to 133 | | 15 | |
| C _{IN} | Input Capacitance | | 7 | |

DC Electrical Characteristics for Industrial Temperature Devices

| Parameter | Description | Test Conditions | Min. | Max. | Units |
|-----------------|---------------------|---|------|------|-------|
| V _{IL} | Input LOW Voltage | | | 0.8 | V |
| V _{IH} | Input HIGH Voltage | | 2.0 | | |
| I _{IL} | Input LOW Current | V _{IN} = 0V | | 50 | μA |
| I _{IH} | Input HIGH Current | V _{IN} = V _{DD} | | 125 | |
| V _{OL} | Output LOW Voltage | I _{OL} = -8mA(-1); I _{OL} = 12mA(-1H) | | 0.4 | V |
| V _{OH} | Output HIGH Voltage | I _{OH} = -8mA(-1); I _{OH} = -12mA(-1H) | 2.4 | | |
| I _{DD} | Supply Current | Unloaded outputs 100 MHz, Select inputs at V _{DD} or GND | | 54 | mA |
| | | Unloaded outputs 66 MHz, CLKIN | | 39 | |

AC Electrical Characteristics for Industrial Temperature Devices

| Parameter | Description | Test Conditions | Min. | Typ. | Max. | Units |
|--------------------|---|--|------|------|------|-------|
| F _O | Output Frequency | 30pF load | 10 | | 100 | MHz |
| | | 15pF load | 10 | | 133 | |
| t _{DC} | Duty Cycle ⁽¹⁾ (-1) | Measured at V _{DD} /2, F _{OUT} < 66.67MHz, 30pF load | 40 | 50 | 60 | % |
| | | Measured at V _{DD} /2, F _{OUT} < 45MHz 15pF load | 45 | | 55 | |
| | Duty Cycle ⁽¹⁾ (-1H) | Measured at V _{DD} /2, F _{OUT} < 100MHz 15pF load | 40 | | 60 | |
| | | Measured at V _{DD} /2, F _{OUT} < 45MHz 30pF load | 45 | | 55 | |
| t _R | Rise Time ⁽¹⁾ (-1) | Measured between 0.8V and 2.0V, 30pF load | | | 2.2 | ns |
| | | Measured between 0.8V and 2.0V, 15pF load | | | 1.5 | |
| | Rise Time ⁽¹⁾ (-1H) | Measured between 0.8V and 2.0V, 30pF load | | | 1.7 | |
| | | Measured between 0.8V and 2.0V, 15pF load | | | 2.2 | |
| t _F | Fall Time ⁽¹⁾ (-1) | Measured between 0.8V and 2.0V, 30pF load | | | 1.5 | |
| | | Measured between 0.8V and 2.0V, 15pF load | | | 1.5 | |
| | Fall Time ⁽¹⁾ (-1H) | Measured between 0.8V and 2.0V, 30pF load | | | 1.5 | |
| t _{sk(o)} | Output to Output skew (-1, -1H) ⁽¹⁾ | All outputs equally loaded | | | 200 | |
| t ₀ | Delay, CLKIN Rising Edge to OUT0 Rising Edge ⁽¹⁾ | Measured at V _{DD} /2 | | 0 | ±300 | ps |
| t _{SK(D)} | Device-to-device skew ⁽¹⁾ | Measured at V _{DD} /2 on OUT0 pins of device | | 0 | 600 | |
| t _{SLEW} | Output slew rate ⁽¹⁾ | Measured between 0.8V and 2.0V on -1H device using Test Circuit #2 | 1 | | | V/ns |
| t _{JIT} | Cycle-to-Cycle Jitter (-1, -1H) | Measured at 66.67 MHz, loaded 30pF load | | | 200 | ps |
| t _{LOCK} | PLL Lock time ⁽¹⁾ | Stable power supply, valid clocks presented on CLKIN pin | | | 1.0 | ms |

Notes:

1. See Switching Waveforms on page 5.

DC Electrical Characteristics for Commercial Temperature Devices

| Parameter | Description | Test Conditions | Min. | Max. | Units |
|-----------------|---------------------|---|------|------|-------|
| V _{IL} | Input LOW Voltage | | | 0.8 | V |
| V _{IH} | Input HIGH Voltage | | 2.0 | | |
| I _{IL} | Input LOW Current | V _{IN} = 0V | | 50 | μA |
| I _{IH} | Input HIGH Current | V _{IN} = V _{DD} | | 125 | |
| V _{OL} | Output LOW Voltage | I _{OL} = -8mA(-1); I _{OL} = 12mA(-1H) | | 0.4 | V |
| V _{OH} | Output HIGH Voltage | I _{OH} = -8mA(-1); I _{OH} = -12mA(-1H) | 2.4 | | |
| I _{DD} | Supply Current | Unloaded outputs 100 MHz, Select inputs at V _{DD} or GND | | 54 | mA |
| | | Unloaded outputs 66.67 MHz, select inputs at V _{DD} or GND | | 39 | |

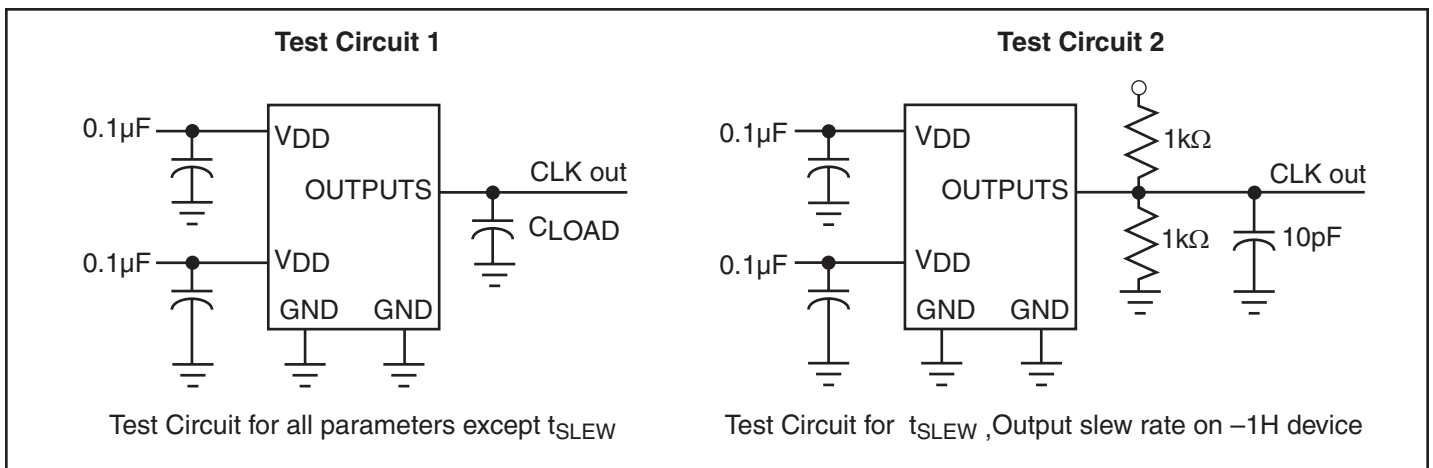
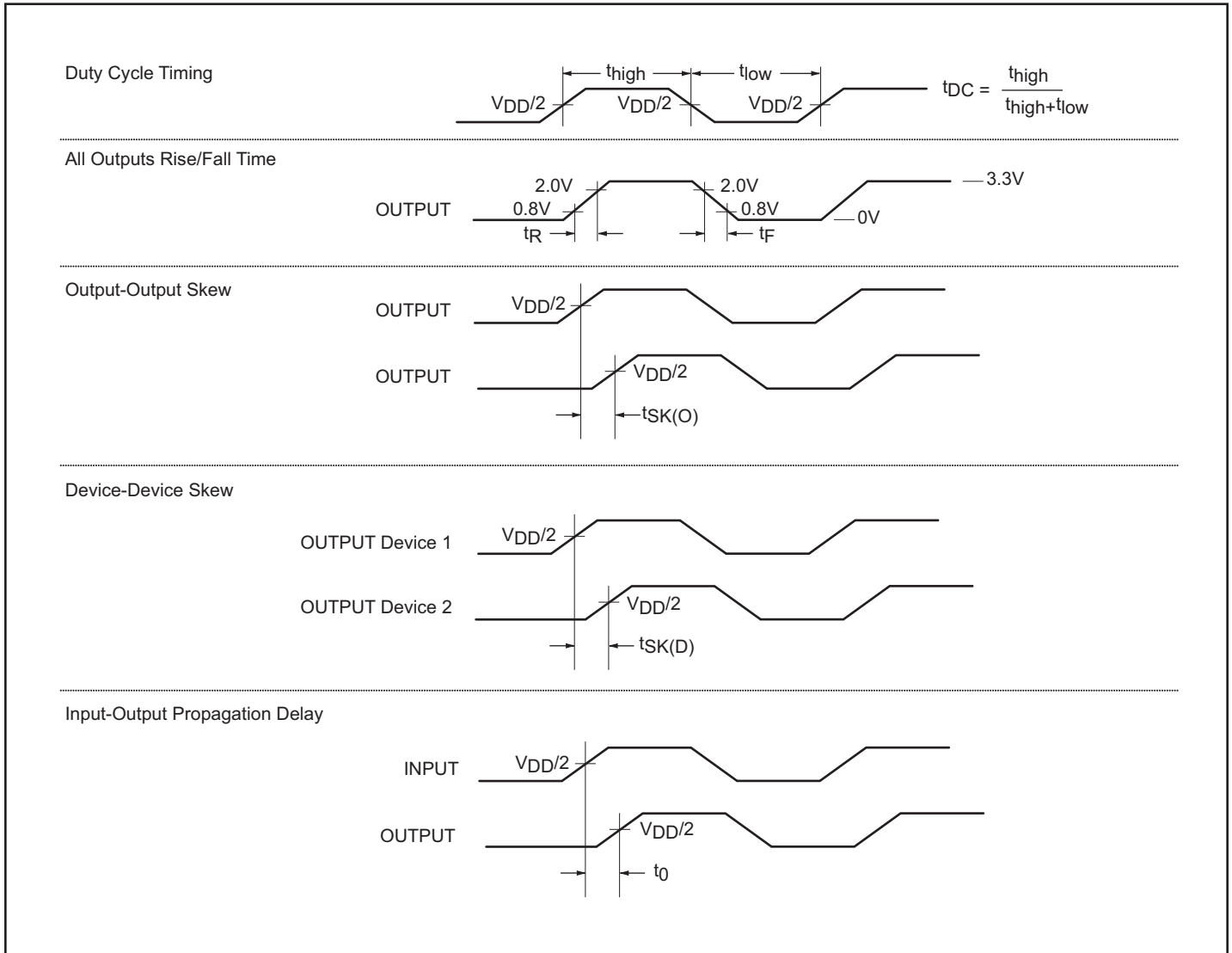
AC Electrical Characteristics for Commercial Temperature Devices

| Parameter | Description | Test Conditions | Min. | Typ. | Max. | Units |
|--------------------|---|--|------|------|------|-------|
| F _O | Output Frequency | 30pF load | 10 | | 100 | MHz |
| | | 15pF load | 10 | | 133 | |
| t _{DC} | Duty Cycle ⁽¹⁾ (-1) | Measured at V _{DD} /2, F _O < 66 MHz, 30pF load | 40 | 50 | 60 | % |
| | Duty Cycle ⁽¹⁾ (-1H) | Measured at V _{DD} /2, F _O < 66 MHz, 30pF load | 45 | 50 | 55 | |
| t _R | Rise Time ⁽¹⁾ @ 30pF | Measured between 0.8V and 2.0V | | | 2.2 | ns |
| | Rise Time ⁽¹⁾ @ 15pF | | | | 1.5 | |
| | Rise Time ⁽¹⁾ @ 30pF (-1H) | | | | 1.5 | |
| t _F | Fall Time ⁽¹⁾ @ 30pF | Measured between 0.8V and 2.0V | | | 2.2 | |
| | Fall Time ⁽¹⁾ @ 15pF | | | | 1.5 | |
| | Fall Time ⁽¹⁾ @ 30pF (-1H) | | | | 1.5 | |
| t _{sk(o)} | Output to Output skew (-1, -1H) ⁽¹⁾ | All outputs equally loaded | | | 200 | ps |
| t ₀ | Input to output delay, CLKIN Rising Edge to OUT0 Rising Edge ⁽¹⁾ | Measured at V _{DD} /2 | | 0 | ±300 | |
| t _{SK(D)} | Device-to-device skew ⁽¹⁾ | Measured at V _{DD} /2 on OUT0 pins of device | | 0 | 600 | |
| t _{SLEW} | Output slew rate ⁽¹⁾ | Measured between 0.8V and 2.0V on -1H device using Test Circuit #2 | 1 | | | V/ns |
| t _{JIT} | Cycle-to-Cycle Jitter (-1, -1H) | Measured at 66.67 MHz, loaded 30pF load | | | 200 | ps |
| t _{LOCK} | PLL Lock time ⁽¹⁾ | Stable power supply, valid clocks presented on CLKIN pin | | | 1.0 | ms |

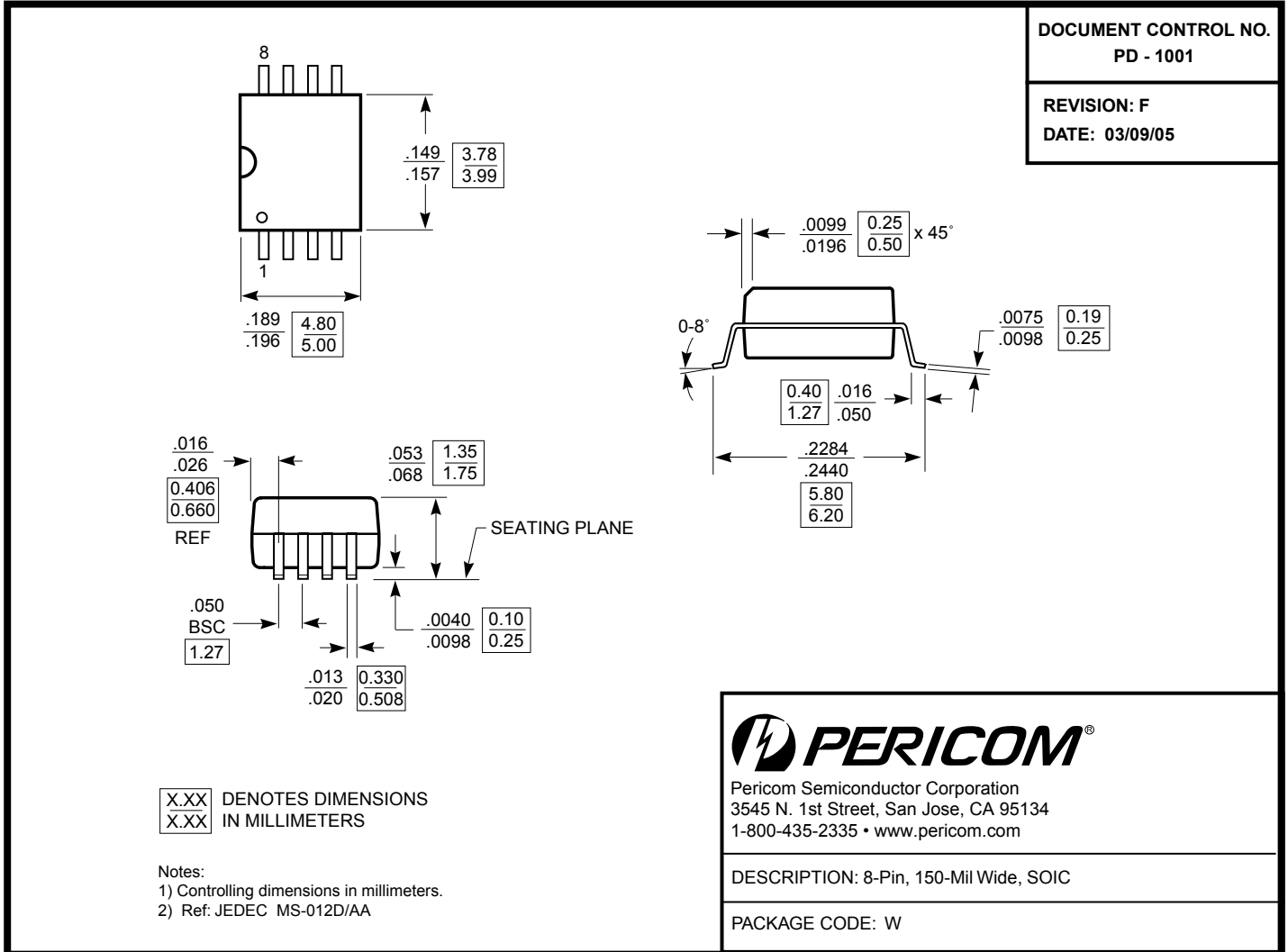
Notes:

1. See Switching Waveforms on page 5.

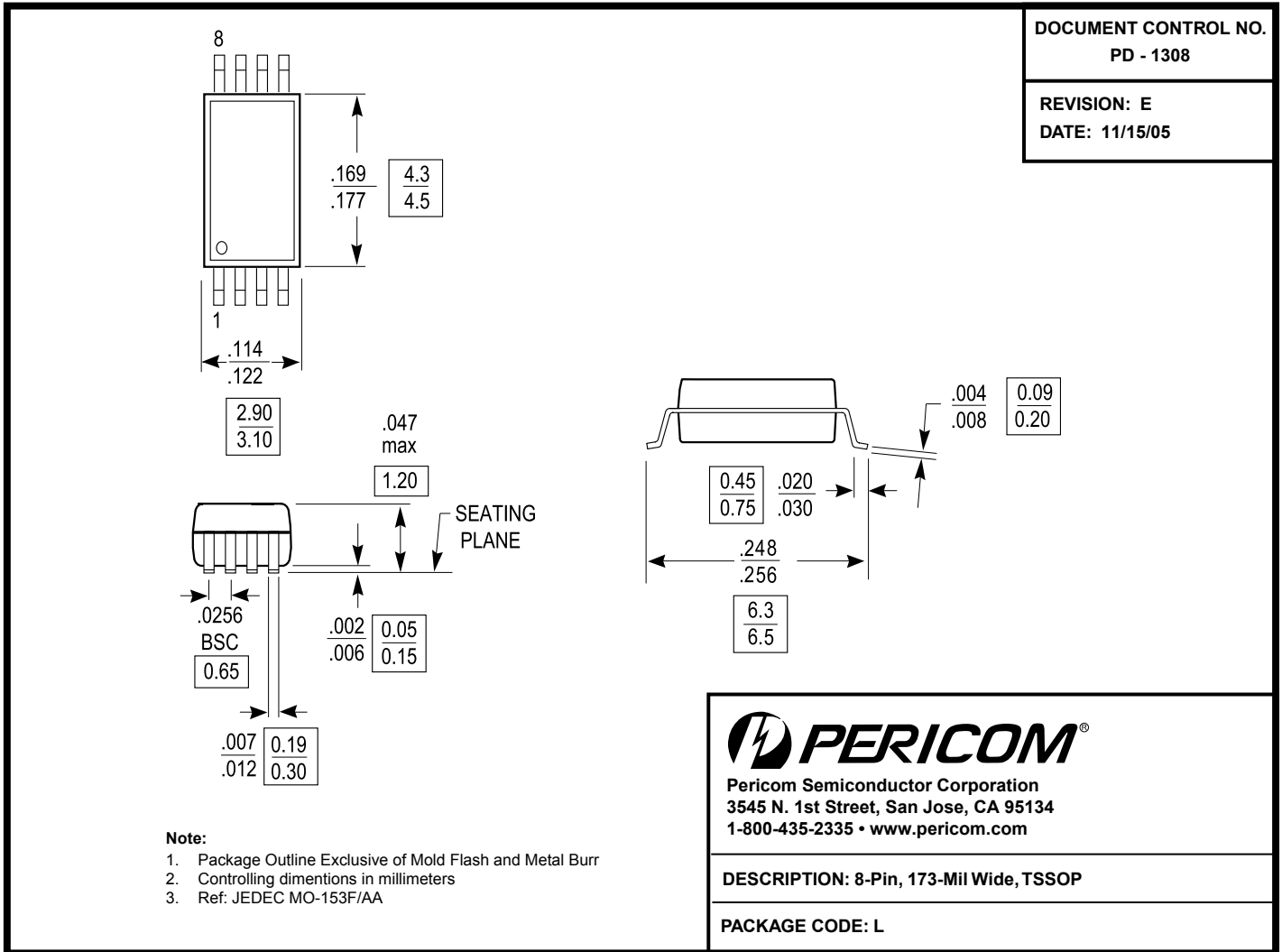
Switching Waveforms



Packaging Mechanical: 8-Pin SOIC (W)



Packaging Mechanical: 8-Pin TSSOP (L)



Ordering Information for Commercial Operating Ranges

| Ordering Code | Package Code | Package Description |
|----------------------|---------------------|--------------------------------------|
| PI6C2405A-1HWE | W | Pb-free & Green, 8-pin 150-mil SOIC |
| PI6C2405A-1LE | L | Pb-free & Green, 8-pin 173-mil TSSOP |
| PI6C2405A-1HLE | L | Pb-free & Green, 8-pin 173-mil TSSOP |

Ordering Information for Industrial Operating Ranges

| Ordering Code | Package Code | Package Description |
|----------------------|---------------------|--------------------------------------|
| PI6C2405A-1HWIE | W | Pb-free & Green, 8-pin 150-mil SOIC |
| PI6C2405A-1LIE | L | Pb-free & Green, 8-pin 173-mil TSSOP |
| PI6C2405A-1HLIE | L | Pb-free & Green, 8-pin 173-mil TSSOP |

Notes:

1. Thermal characteristics can be found on the company web site at www.pericom.com/packaging/
2. X = Tape/Reel
3. E = Pb-free & Green

Mouser Electronics

Authorized Distributor

Click to View Pricing, Inventory, Delivery & Lifecycle Information:

Diodes Incorporated:

[PI6C2405A-1LE](#) [PI6C2405A-1LEX](#) [PI6C2405A-1HLE](#) [PI6C2405A-1HLEX](#) [PI6C2405A-1HLIE](#) [PI6C2405A-1HLIEX](#)
[PI6C2405A-1HWE](#) [PI6C2405A-1HWEX](#) [PI6C2405A-1HWIE](#) [PI6C2405A-1HWIEX](#)

Компания «Океан Электроники» предлагает заключение долгосрочных отношений при поставках импортных электронных компонентов на взаимовыгодных условиях!

Наши преимущества:

- Поставка оригинальных импортных электронных компонентов напрямую с производств Америки, Европы и Азии, а так же с крупнейших складов мира;
- Широкая линейка поставок активных и пассивных импортных электронных компонентов (более 30 млн. наименований);
- Поставка сложных, дефицитных, либо снятых с производства позиций;
- Оперативные сроки поставки под заказ (от 5 рабочих дней);
- Экспресс доставка в любую точку России;
- Помощь Конструкторского Отдела и консультации квалифицированных инженеров;
- Техническая поддержка проекта, помощь в подборе аналогов, поставка прототипов;
- Поставка электронных компонентов под контролем ВП;
- Система менеджмента качества сертифицирована по Международному стандарту ISO 9001;
- При необходимости вся продукция военного и аэрокосмического назначения проходит испытания и сертификацию в лаборатории (по согласованию с заказчиком);
- Поставка специализированных компонентов военного и аэрокосмического уровня качества (Xilinx, Altera, Analog Devices, Intersil, Interpoint, Microsemi, Actel, Aeroflex, Peregrine, VPT, Syfer, Eurofarad, Texas Instruments, MS Kennedy, Miteq, Cobham, E2V, MA-COM, Hittite, Mini-Circuits, General Dynamics и др.);

Компания «Океан Электроники» является официальным дистрибьютором и эксклюзивным представителем в России одного из крупнейших производителей разъемов военного и аэрокосмического назначения «JONHON», а так же официальным дистрибьютором и эксклюзивным представителем в России производителя высокотехнологичных и надежных решений для передачи СВЧ сигналов «FORSTAR».



JONHON

«JONHON» (основан в 1970 г.)

Разъемы специального, военного и аэрокосмического назначения:

(Применяются в военной, авиационной, аэрокосмической, морской, железнодорожной, горно- и нефтедобывающей отраслях промышленности)

«FORSTAR» (основан в 1998 г.)

ВЧ соединители, коаксиальные кабели, кабельные сборки и микроволновые компоненты:

(Применяются в телекоммуникациях гражданского и специального назначения, в средствах связи, РЛС, а так же военной, авиационной и аэрокосмической отраслях промышленности).



Телефон: 8 (812) 309-75-97 (многоканальный)

Факс: 8 (812) 320-03-32

Электронная почта: ocean@oceanchips.ru

Web: <http://oceanchips.ru/>

Адрес: 198099, г. Санкт-Петербург, ул. Калинина, д. 2, корп. 4, лит. А