



U5200

Industrial Pressure Transducer

SPECIFICATIONS

- ◆ High Accuracy
- ◆ Compact
- ◆ Variety of Pressure Ports and Electrical Configurations
- ◆ Optional Stainless Steel Snubber
- ◆ CE Compliant and Weatherproof
- ◆ UL Certified
- ◆ Gage, Sealed, Absolute, Compound
- ◆ Expedite Configurations Available (10 Days)

The U5200 pressure transducers from the UltraStable line of MEAS, with their modular design, offer maximum flexibility for different configurations. This latest series features high accuracy and a quick turnaround for demanding commercial and heavy industrial applications. This series is suitable for measurement of liquid or gas pressure, even for difficult media such as contaminated water, steam, and mildly corrosive fluids.

The wetted material is made of 316L stainless steel and the transducer's durability is excellent with no O-rings or organics exposed to the pressure media. The U5200 is weatherproof and exceeds the latest heavy industrial CE requirements including surge protection. The circuit is protected from reverse wiring at input and short circuit at output.

This product is geared to the OEM customer for low to mid volumes. MEAS stands ready to provide a custom design of the U5200 where the volume and application warrants. Additional configurations not listed are either available or possible. Please inquire for further information.

FEATURES

- ◆ Heavy Industrial CE Approval
- ◆ 10 V/m EMI Protection
- ◆ Reverse Polarity Protection on Input
- ◆ Short Circuit Protection on Output
- ◆ Up to $\pm 0.1\%$ Accuracy
- ◆ Up to $\pm 0.75\%$ Total Error Band
- ◆ Compact Outline
- ◆ -40°C to $+125^{\circ}\text{C}$ Operating Temperature
- ◆ Weatherproof

APPLICATIONS

- ◆ Industrial Process Control and Monitoring
- ◆ Advanced HVAC Systems
- ◆ Refrigeration Systems
- ◆ Automotive Test Stands
- ◆ Off-Road Vehicles
- ◆ Pumps and Compressors
- ◆ Hydraulic/Pneumatic Systems
- ◆ Agriculture Equipment
- ◆ Energy Generation and Management

STANDARD RANGES

Range (psi)	Range (Bar)	Gage	Sealed	Absolute	Compound
0 to 002	0 to .14	◆	◆	◆	◆
0 to 005	0 to .35	◆	◆	◆	◆
0 to 015	0 to 001	◆	◆	◆	◆
0 to 030	0 to 002	◆	◆	◆	◆
0 to 050	0 to 3.5	◆	◆	◆	◆
0 to 100	0 to 007	◆	◆	◆	◆
0 to 150	0 to 010	◆	◆	◆	◆
0 to 200	0 to 014	◆	◆	◆	◆
0 to 300	0 to 020	◆	◆	◆	◆
0 to 500	0 to 035	◆	◆	◆	◆
0 to 01k	0 to 070	◆	◆	◆	◆
0 to 03k	0 to 200	◆	◆	◆	◆
0 to 05k	0 to 350	◆	◆	◆	◆
0 to 10k	0 to 700	◆	◆	◆	◆

Intermediate ranges available upon request.

PERFORMANCE SPECIFICATIONS

Ambient Temperature: 25°C (unless otherwise specified)

PARAMETERS	MIN	TYP	MAX	UNITS	NOTES
Accuracy (RSS of linearity, hysteresis, and repeatability)	-0.5		0.5	%F.S. BFSL	≤ 2psi @ 25°C
	-0.25		0.25	%F.S. BFSL	> 2psi and ≤ 5psi @ 25°C
	-0.1		0.1	%F.S. BFSL	> 5psi and ≤ 500psi @ 25°C
	-0.25		0.25	%F.S. BFSL	> 500psi and ≤ 5000psi @ 25°C
	-0.75		0.75	%F.S. BFSL	> 5000psi @ 25°C
Isolation, Body to any Lead	100			MΩ	@500VDC
Dielectric Strength			2	mA	@500VAC, 1min
Pressure Cycles	1.00E+6			0~FS Cycles	
Proof Pressure	3X		20k psi	Rated	
Burst Pressure	4X		20k psi	Rated	
Long Term Stability (1 year)	-0.1		0.1	%F.S.	
	-1.25		1.25	%F.S.	≤ 2psi
	-1.0		1.0	%F.S.	> 2psi and ≤ 5psi
	-0.75		0.75	%F.S.	> 5psi and ≤ 5000psi
	-1.25		1.25	%F.S.	> 5000psi
Compensated Temperature	-20		+85	°C	
Operating Temperature	-40		+125	°C	Except cable 105°C max
Storage Temperature	-40		+125	°C	Except cable 105°C max
Load Resistance (R _L)	R _L > 100k			Ω	Voltage Output
Load Resistance (R _L)	< (Supply Voltage -9V) / 0.02A			Ω	Current Output
Current Consumption			5	mA	Voltage Output
Rise Time (10% to 90%)	<2ms (Voltage Output); <3ms (Current Output); Without Snubber				
Pressure Port Material	316L Stainless Steel; 316L Stainless Steel Snubber				
Shock	50g, 11msec Half Sine Shock per MIL-STD-202G, Method 213B, Condition A				
Vibration	±20g, MIL-STD-810C, Procedure 514.2, Fig 514.2-2, Curve L				

For custom configurations, consult factory.

Notes

Compensated Temperature: The temperature range over which the product will produce an output proportional to pressure within the specified performance limits.

Operating Temperature: The temperature range over which the product will produce an output proportional to pressure but may not remain within the specified performance limits.

Storage Temperature: The temperature range over which the product can be stored safely in occasions without pressure applied or power input and remains rated performance. Beyond this temperature range may cause permanent damage to the product.

All configurations are built with supply voltage reverse and output short-circuit protections.

CE Compliance

EN 55022 Emissions Class A & B

IEC 61000-4-2 Electrostatic Discharge Immunity (8kV contact/15kV air)

IEC 61000-4-3 Radiated, Radio-Frequency Electromagnetic Field Immunity (10V/m, 80M-1GHz)

IEC 61000-4-4 Electrical Fast Transient Immunity (1kV)

IEC 61000-4-5 Surge Immunity (V+ to V-: ±2KV/42Ω; L to Case: ±1KV/12Ω; V- to V₀: ±1KV/42Ω)

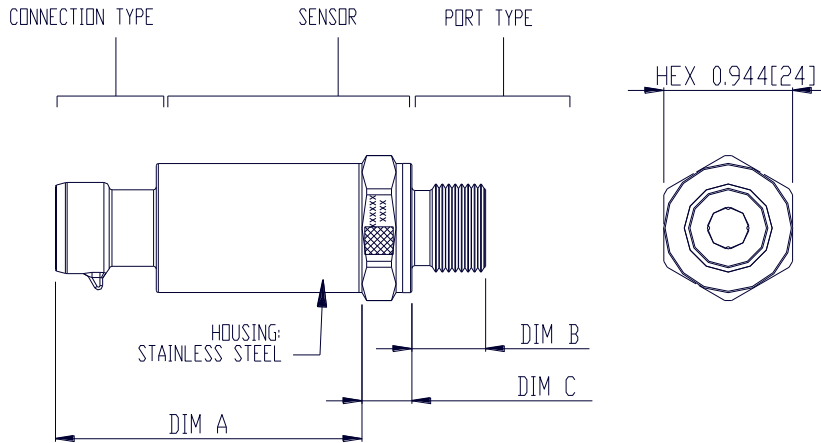
IEC 61000-4-6 Immunity to Conducted Disturbances Induced by Radio Frequency

Fields (150K~80MHz, 10V level for voltage output models, 3V level for current output model)

IEC 61000-4-9 Pulse Magnetic Field Immunity (100A/m peak)

For all CE compliance tests, max allowed output deviation ±1.5 %F.S.

DIMENSIONS [mm]



CODE	CONNECTION TYPE	DIM A
1	CABLE 2 FT	2.19 [55.6]
E	CABLE 3 FT	2.19 [55.6]
2	CABLE 4 FT	2.19 [55.6]
3	CABLE 10 FT	2.19 [55.6]
4	PACKARD CONNECTOR A	2.25 [57.2]
5	BAYONET CONNECTOR	2.11 [53.6]
6	FORM C	1.95 [49.5]
7	FORM A	2.10 [53.3]
9	PACKARD CONNECTOR B	2.25 [57.2]
D	M12 CONNECTOR	1.95 [49.5]
M	CABLE 1 M	2.19 [55.6]
N	CABLE 2 M	2.19 [55.6]
P	CABLE 5 M	2.19 [55.6]
R	CABLE 10 M	2.19 [55.6]
A	AMP CONNECTOR	2.10 [53.3]
S	SUMITOMO CONNECTOR	1.95 [49.5]
C	1/2" NPT CONDUIT	2.10 [53.3]

FORM C	
INCLUDE MATING CONNECTOR AND SEAL.	MATING CONNECTOR AND SEAL.
CABLE 	FORM A
BAYONET CONNECTOR 	1/2" NPT CONDUIT
PACKARD CONNECTOR 	SUMITOMO CONNECTOR
M12 CONNECTOR 	AMP/TE CONNECTOR

PRESSURE PORT TYPE			
CODE	PORT	DIM B	DIM C REF.
2	1/4-19 BSPP	0.472[11.94]	0.366[9.3]
3	G3/8 JIS B2351	0.540[13.72]	0.366[9.3]
4	7/16-20UNF MALE SAE J1926-2 STRAIGHT THREAD O-RING BUNA-N 90SH-904	0.433[11.0]	0.366[9.3]
5	1/4-18 NPT	0.600[15.24]	0.366[9.3]
6	1/8-27 NPT	0.390[9.91]	0.366[9.3]
B	G1/4 JIS B2351	0.472[11.94]	0.366[9.3]
E	1/4-19 BSPT	0.500[12.7]	0.366[9.3]
F	1/4-19 BSPP FEMALE (without snubber)	0.771[19.58]	0.366[9.3]
P	7/16-20UNF FEMALE SAE J513 STRAIGHT THREAD WITH INTEGRAL VALVE DEPRESSOR	0.687[17.5]	0.366[9.3]
N	7/16-20UNF FEMALE SAE J513 STRAIGHT THREAD	0.687[17.5]	0.366[9.3]
Q	M10 x 1.0 mm ISO 6149-2	0.374[9.5]	0.366[9.3]
S	M12 x 1.5 mm ISO 6149-2	0.433[11.0]	0.366[9.3]
U	G/14 DIN 3852 FORM E GASKET DIN3869-14 NBR	0.472[11.94]	0.445[11.3]
W	M20 x 1.5 mm ISO 6149-2	0.551[14.0]	0.366[9.3]
G	M14 x 1.5 mm ISO 6149-2	0.433[11.0]	0.366[9.3]

Note: Refer to installation instructions for recommended torque.

WIRING

Current Output Wiring				
CONNECTION	+SUPPLY	-SUPPLY	NC. PINS	P REF VENT
Bayonet	A	B	C,D,E	F
Packard, A	A	B	C	Hole Through Connector
Packard, B	B	A	C	Hole Through Connector
Cable	RED	BLK		In Cable
1/2NPT CONDUIT	RED	BLK		In Cable
M12	1	3	2,4	Hole Through Connector
AMP/TE	1	2	3	Hole Through Connector
FORM C	1	2	3,4	Threads Through Connector
FORM A	1	2	3,4	Threads Through Connector
Sumitomo	1	2	3	Hole Through Connector

Voltage Output Wiring					
CONNECTION	+SUPPLY	+OUTPUT	COMMON	NC. PINS	P REF VENT
Bayonet	A	B	C	D,E	F
Packard, A	A	C	B		Hole Through Connector
Packard, B	B	C	A		Hole Through Connector
Cable	RED	WHT	BLK		In Cable
1/2NPT CONDUIT	RED	WHT	BLK		In Cable
M12	1	2	3	4	Hole Through Connector
AMP/TE	1	3	2		Hole Through Connector
FORM C	1	2	3	4	Threads Through Connector
FORM A	1	3	2	4	Threads Through Connector
Sumitomo	1	3	2		Hole Through Connector

Notes:

1. NC pins are reserved for factory use only. **Customers should not use these connections.**
2. For cable connection, the drain wire is internally terminated to pressure port.

CONNECTION TYPES

CONNECTION TYPES				
CONNECTION	DESCRIPTION	MATING HOUSING P/N	MATING TERMINAL P/N	RUBBER SEAL P/N
Bayonet	BAYONET PTIH-10-6P OR EQUIV	PT06A-10-6S MIL-C-26482	-	-
Packard	3-PIN METRI-PACK 150	12078090	12103881, QTY 3	-
Cable & 1/2NPT Conduit	4-WIRE, 22 AWG, SHIELDED, PVC JACKET, 105 DEGC	-	-	-
M12	BINDER SERIES 713, 09 3431 77 04 OR EQUIV	4-POS FEMALE CONNECTOR	-	-
AMP/TE	AMP / TE 3-PIN ECONOSEAL J SERIES	174357-2 & 174358-7	171630-1 (AWG 20~24) 171662-1 (AWG 16~20) QTY 3	172746-1 (AWG 20~24) 172888-2 (AWG 16~20) QTY 3
FORM C	INDUSTRIAL STANDARD 9.4MM FORM C	HIRSCHMANN 933 024-100, OR, ATAM KD046000B7 (SEAL INCL.)	-	HIRSCHMANN 730 185-002
FORM A	DIN EN 175 301-803-A 18MM	HIRSCHMANN 931 969-100, OR, ATAM KA245000B4 (SEAL INCL.)	-	HIRSCHMANN 730 801-002
Sumitomo	SUMITOMO 3-PIN HV040	6189-6907	8100-3067 (AWG 20~22) 8100-3068 (AWG 16~18) QTY 3	7165-1075 (INS. DIA 1.1~1.6MM) 7176-0621 (INS. DIA 1.6~1.9MM) 7165-0622 (INS. DIA 1.8~2.2MM) QTY 3

Note: Transmitter of gage pressure type requires vent to atmosphere on the pressure reference side. This is accomplished via cable from the transmitter (the end of the cable should be terminated to clean and dry area) or through the customer mating connector/cable assembly which has internal vent path.

Suggested vented M12 mating connector P/N MB12FWAFF04ST-4 and MB12FWAFF04ST-3 at www.finecables.com for 0.157"~0.236" and 0.236"~0.315" diameter cable respectively.

WEATHERPROOF

WEATHER-PROOF RATING	
CONNECTION	IP CODE
Bayonet	IP67
Packard	IP66
Cable	IP67
1/2NPT CONDUIT	IP67
M12	IP67
AMP/TE	IP67
FORM C	IP65
FORM A	IP65
Sumitomo	IP67

Note: Weatherproof ratings are met when the mating connectors are installed properly and the cable termination is to dry and clean area.

OUTPUTS

CODE	OUTPUT SIGNAL	SUPPLY VOLTAGE
3	0.5 - 4.5V RATIOMETRIC	5 ± 0.25V PROTECTED to 30V
4	1 - 5V	8 - 30V
5	4 - 20mA	9 - 30V
6	0 - 5V	8 - 30V
7	0 - 10V	12 - 30V
8	1 - 6V	8 - 30V
9	0.5 - 4.5V	5 - 30V

ORDERING INFORMATION

U52 3 1 - 0 0 00 0 W - 100P G

Output		
Code	Type	Supply Voltage
3	0-4.5V Ratiometric	5±0.25V Protected to 30V
4	1 – 5V	8-30V
5	4-20mA	9-30V
6	0-5V	8-30V
7	0-10V	12-30V
8	1-6V	8-30V
9	0.5-4.5V	8-30V

Cable/Connector		
Code	Connection Type	Dim A Max
1	Cable, 2 feet	2.19[55.6]
E	Cable, 3 feet	2.19[55.6]
2	Cable, 4 feet	2.19[55.6]
3	Cable, 10 feet	2.19[55.6]
4	Packard Connector A	2.25[57.2]
5	Bayonet Connector	2.11[53.6]
6	Form C	1.95[49.5]
7	Form A	2.10[53.3]
9	Packard Connector B	2.25[57.2]
D	M12 Connector	1.95[49.5]
M	Cable 1m	2.19[55.6]
N	Cable 2m	2.19[55.6]
P	Cable 5m	2.19[55.6]
R	Cable 10m	2.19[55.6]
A	Amp Connector	2.10[53.3]
S	Sumitomo Connector	1.95[49.5]
C	1/2" NPT Conduit	2.10[53.3]

Shipping	
0	Standard
H	Expedite

Cleaning	
0	No Selection
1	With Snubber

Label Type	
0	Adhesive Label
1	Laser Marking

Pressure Range		Pressure Type
psi std	bar std	
002P	.14B	G=Gage S=Sealed A=Absolute C=Compound
005P	.35B	
015P	001B	
030P	002B	G=Gage S=Sealed A=Absolute C=Compound
050P	3.5B	
100P	007B	
200P	010B	
300P	020B	
500P	035B	G=Gage S=Sealed (Port 2,5 Only) A=Absolute (Port2, 5 only) C=Compound
01KP	070B	
03KP	200B	
05KP	350B	
10KP	700B	

Compound pressure range is -14.7 to xxxpsig or -1 to xxxbarg. (e.g. 200PC: -14.7 to 200psig, 020BC: -1 to 20barg)

Port Type Selection			
Code	Port Type	Dim B	Dim C Ref.
2	1/4"-19 BSPP	0.472[11.94]	0.366[9.3]
3	G3/8 JIS B2351	0.540[13.72]	0.366[9.3]
4	7/16-20UNF Male SAE J1926-2 Straight Thread O-Ring BUNA-N 90SH-904	0.433[11.0]	0.366[9.3]
5	1/4-18 NPT	0.600[15.24]	0.366[9.3]
6	1/8-27 NPT	0.390[9.91]	0.366[9.3]
B	G1/4 JIS B2351	0.472[11.94]	0.366[9.3]
E	1/4-19 BSPT	0.500[12.7]	0.366[9.3]
F	1/4-19 BSPP Female*	0.771[19.58]	0.366[9.3]
P	7/16-20UNF Female SAE J513 Straight Thread w/ Integral Valve Depressor	0.687[17.5]	0.366[9.3]
N	7/16-20UNF Female SAE J513 Straight Thread	0.687[17.5]	0.366[9.3]
Q	M10x1.0mm ISO 6149-2	0.374[9.5]	0.366[9.3]
S	M12x1.5mm ISO 6149-2	0.433[11.0]	0.366[9.3]
U	G1/4 DIN 3852 Form E Gasket DIN3869-14 NBR	0.472[11.94]	0.366[9.3]
W	M20x1.5mm ISO 6149-2	0.551[14.0]	0.366[9.3]
G	M14x1.5mm ISO 6149-2	0.433[11.0]	0.366[9.3]

Selections in blue (expedite) have a 10 business day lead time with a 19 piece maximum order.

Refer to online installation instruction for recommended torque.

Installation instructions and this document are available on our website in English and Chinese

U5200

Industrial Pressure Transducer

Standard In-Stock Models: M12 Connector, 1/4-18 NPT Pressure Port, Gage Type. These popular configurations below are typical units available off the shelf:

4 - 20mA Output	0 - 5V Output	0 - 10V Output
U525D-000005-01KPG	U526D-000005-01KPG	U527D-000005-01KPG
U525D-000005-050PG	U526D-000005-050PG	U527D-000005-050PG
U525D-000005-05KPG	U526D-000005-05KPG	U527D-000005-05KPG
U525D-000005-150PG	U526D-000005-150PG	U527D-000005-150PG
U525D-000005-500PG	U526D-000005-500PG	U527D-000005-500PG

NORTH AMERICA

Measurement Specialties, Inc.,
a TE Connectivity Company
Phone: 800-522-6752
Email: customercare.frmr@te.com

EUROPE

Measurement Specialties (Europe), Ltd.,
a TE Connectivity Company
Phone: +31 73 624 6999
Email: customercare.lcsb@te.com

ASIA

Measurement Specialties (China), Ltd.,
a TE Connectivity Company
Phone: 0400-820-6015
Email: customercare.shzn@te.com

TE.com/sensorsolutions

Measurement Specialties, Inc., a TE Connectivity company.

Measurement Specialties, TE Connectivity, TE Connectivity (logo) and EVERY CONNECTION COUNTS are trademarks. All other logos, products and/or company names referred to herein might be trademarks of their respective owners.

The information given herein, including drawings, illustrations and schematics which are intended for illustration purposes only, is believed to be reliable. However, TE Connectivity makes no warranties as to its accuracy or completeness and disclaims any liability in connection with its use. TE Connectivity's obligations shall only be as set forth in TE Connectivity's Standard Terms and Conditions of Sale for this product and in no case will TE Connectivity be liable for any incidental, indirect or consequential damages arising out of the sale, resale, use or misuse of the product. Users of TE Connectivity products should make their own evaluation to determine the suitability of each such product for the specific application.

© 2015 TE Connectivity Ltd. family of companies All Rights Reserved.

Компания «Океан Электроники» предлагает заключение долгосрочных отношений при поставках импортных электронных компонентов на взаимовыгодных условиях!

Наши преимущества:

- Поставка оригинальных импортных электронных компонентов напрямую с производств Америки, Европы и Азии, а так же с крупнейших складов мира;
- Широкая линейка поставок активных и пассивных импортных электронных компонентов (более 30 млн. наименований);
- Поставка сложных, дефицитных, либо снятых с производства позиций;
- Оперативные сроки поставки под заказ (от 5 рабочих дней);
- Экспресс доставка в любую точку России;
- Помощь Конструкторского Отдела и консультации квалифицированных инженеров;
- Техническая поддержка проекта, помощь в подборе аналогов, поставка прототипов;
- Поставка электронных компонентов под контролем ВП;
- Система менеджмента качества сертифицирована по Международному стандарту ISO 9001;
- При необходимости вся продукция военного и аэрокосмического назначения проходит испытания и сертификацию в лаборатории (по согласованию с заказчиком);
- Поставка специализированных компонентов военного и аэрокосмического уровня качества (Xilinx, Altera, Analog Devices, Intersil, Interpoint, Microsemi, Actel, Aeroflex, Peregrine, VPT, Syfer, Eurofarad, Texas Instruments, MS Kennedy, Miteq, Cobham, E2V, MA-COM, Hittite, Mini-Circuits, General Dynamics и др.);

Компания «Океан Электроники» является официальным дистрибьютором и эксклюзивным представителем в России одного из крупнейших производителей разъемов военного и аэрокосмического назначения «JONHON», а так же официальным дистрибьютором и эксклюзивным представителем в России производителя высокотехнологичных и надежных решений для передачи СВЧ сигналов «FORSTAR».



JONHON

«JONHON» (основан в 1970 г.)

Разъемы специального, военного и аэрокосмического назначения:

(Применяются в военной, авиационной, аэрокосмической, морской, железнодорожной, горно- и нефтедобывающей отраслях промышленности)

«FORSTAR» (основан в 1998 г.)

ВЧ соединители, коаксиальные кабели,
кабельные сборки и микроволновые компоненты:

(Применяются в телекоммуникациях гражданского и специального назначения, в средствах связи, РЛС, а так же военной, авиационной и аэрокосмической отраслях промышленности).



Телефон: 8 (812) 309-75-97 (многоканальный)

Факс: 8 (812) 320-03-32

Электронная почта: ocean@oceanchips.ru

Web: <http://oceanchips.ru/>

Адрес: 198099, г. Санкт-Петербург, ул. Калинина, д. 2, корп. 4, лит. А