



TCD4  
3.2 x 5 x 1.5 mm  
LCC Ceramic Package

### Features

- Pletronics' TCD4 Series Temperature Compensated Crystal Oscillator
- Optional Voltage Control Function
- Clipped Sine Wave Output
- 1.8V to 3.3V nominal Supply Voltage
- 10 - 40 MHz Frequency

### Applications

GPS  
WiMAX, Wi-Fi, Wi-LAN  
Handsets  
Broadband Access  
Point to point radios  
Seismic Exploration  
Wireless Communications  
Base Stations  
Test Equipment

### Electrical Characteristics

Parameter	Min	Typ	Max	Unit	Condition (Consult factory for other options)
Frequency Range <sup>2</sup>	10	-	40	MHz	Specified by part number
Frequency Stability vs. Temperature <sup>2</sup>	±0.5	-	±2.5	ppm	Specified by part number $(f_{max} - f_{min}) / 2$
Frequency Initial Calibration	-	-	±2.0	ppm	Vcontrol 1.50 volts at 25°C ± 2°C when V <sub>CC</sub> ≥ 2.5 volts Vcontrol 0.9 volts at 25°C ± 2°C when V <sub>CC</sub> ≤ 2.4 volts If Vcontrol used
Operating Temperature Range <sup>2</sup>	-40	-	+85	°C	Specified by part number, Consult factory for wider range
Supply Voltage <sup>1,2</sup> V <sub>CC</sub>	1.8	-	3.3	Volts	± 5%, Specified by part number
Supply Current I <sub>CC</sub>	-	2.0	3.0	mA	Load: 10 Kohm    10 pF, V <sub>CC</sub> ± 5%
Frequency Stability vs. Supply	-	-	±0.2	ppm	Load: 10 Kohm    10 pF, V <sub>CC</sub> ± 5%
Frequency Stability vs. Load	-	-	±0.2	ppm	Load: 10 Kohm    10 pF ± 5%
Vcontrol Range	0.50 0.30	1.50 0.90	2.50 1.50	Volts	1.50 volts nominal for V <sub>CC</sub> nominal ≥ 2.5 volts 0.9 volts nominal for V <sub>CC</sub> nominal ≤ 2.4 volts
Frequency Pullability <sup>2</sup>	0	±8.0	±12.0	ppm	Specified by part number, Positive Slope
Output Waveform	Clipped Sine Wave				DC Coupled
Output Level	0.8	-	-	V p-p	Load: 10 Kohm    10 pF ± 10%
Startup Time	-	-	10.0	mS	Within ± 2.0 ppm of final frequency
Long Term Stability (Aging)	-	-	±1.0	ppm	Per year at 25°C ± 2°C
Phase Noise	100 Hz 1 kHz 10 kHz 100 kHz	-110 -130 -145 -145	-	dBc/Hz	25°C ± 2°C at 26.0 MHz
Storage Temperature Range	-55	-	+95	°C	

Notes:

<sup>1</sup> Place an appropriate power supply bypass capacitor next to device for correct operation

<sup>2</sup> Specified by part number

### Part Number

Series Model	V <sub>CC</sub> Supply Voltage <sup>1</sup>		Operating Temperature		Stability <sup>1,2</sup>	Pullability <sup>1</sup>	Frequency
	Lowest	Highest	Lowest	Highest	(ppm)	(ppm)	(MHz)
<b>TCD4</b>	<b>031</b>	<b>035</b>	<b>G</b>	<b>H</b>	<b>015</b>	<b>008</b>	<b>-19.44M</b>
	<b>031</b> = 3.1 for 3.3 volts nominal <b>029</b> = 2.9 for 3.0 volts nominal <b>027</b> = 2.7 for 2.8 volts nominal <b>024</b> = 2.4 for 2.5 volts nominal <b>017</b> = 1.7 for 1.8 volts nominal	<b>035</b> = 3.5 for 3.3 volts nominal <b>031</b> = 3.1 for 3.0 volts nominal <b>029</b> = 2.9 for 2.8 volts nominal <b>026</b> = 2.6 for 2.5 volts nominal <b>019</b> = 1.9 for 1.8 volts nominal	<b>A</b> = +10°C <b>B</b> = +5°C <b>C</b> = +0°C <b>D</b> = -5°C <b>E</b> = -10°C <b>F</b> = -15°C <b>G</b> = -20°C <b>H</b> = -25°C <b>J</b> = -30°C <b>K</b> = -35°C <b>L</b> = -40°C	<b>A</b> = +40°C <b>B</b> = +45°C <b>C</b> = +50°C <b>D</b> = +55°C <b>E</b> = +60°C <b>F</b> = +65°C <b>G</b> = +70°C <b>H</b> = +75°C <b>J</b> = +80°C <b>K</b> = +85°C	<b>005</b> = ± 0.5 <b>010</b> = ± 1.0 <b>015</b> = ± 1.5 <b>020</b> = ± 2.0 <b>025</b> = ± 2.5	<b>000</b> = TCXO <b>005</b> = ± 5 <b>008</b> = ± 8	10 - 40 MHz

<sup>1</sup> Contact Factory for non-standard specifications

<sup>2</sup> Not all stabilities are available with all operating temperature ranges. Contact Factory for exact combinations available.

### Device Marking

<b>FFFF . xxx</b> ● <b>PLE xx . YWWx</b>	<b>FFFF . xxx</b> ● <b>PLE</b> <b>x . YWWx</b>	PLE = Pletronics FFFF = Frequency in MHz YWW = Date Code (year week) All other marking is internal codes
---	--	---

Note: Specifications such as frequency stability, supply voltage and operating temperature range, etc. are not identified from marking. External packaging labels and packing list will correctly identify the ordered Pletronics part number.

### Package Labeling

Tape and Reel available for quantities of 250 to 1000 per reel, cut tape for < 250. 16mm tape, 8mm pitch.

P/N Label is 1" x 2.6" (25.4mm x 66.7mm)  
 Font is Courier New  
 Bar code is 39-Full ASCII

RoHS Label is 1" x 2.6" (25.4mm x 66.7mm)  
 Font is Arial

<b>P/N:</b>  TCD4029036JK005008-12.80M <b>Customer P/N:</b>  12345678 <b>Qty:</b>  1000 <b>D/C</b>  MSL: 1      921-M8S07
--

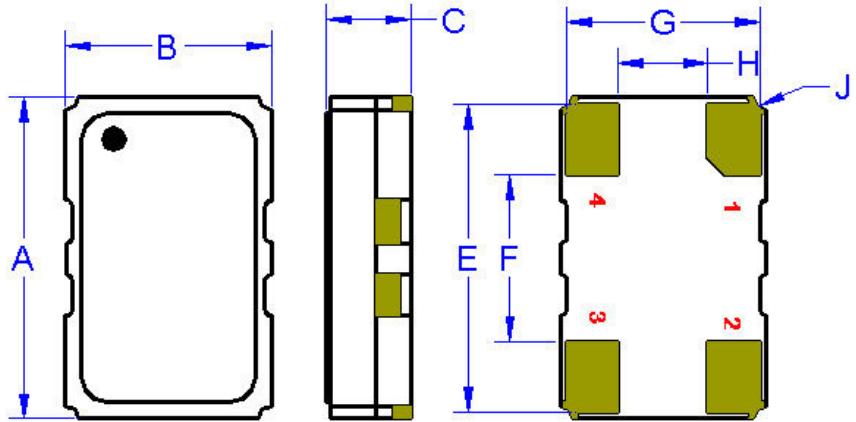
<b>RoHS Compliant</b> 2nd Lvl Interconnect Category=e4 Max Safe Temp=260C for 10s 2X Max
---

Pletronics Inc. certifies this device is in accordance with the RoHS 2 (2011/65/EU) and WEEE (2002/96/EC) directives.

Pletronics Inc. guarantees the device does not contain the following: Cadmium, Hexavalent Chromium, Lead, Mercury, PBB's, PBDE's  
 Weight of the Device: 0.10 grams  
 Moisture Sensitivity Level: 1 As defined in J-STD-020D  
 Second Level Interconnect code: e4

**Mechanical Dimensions**

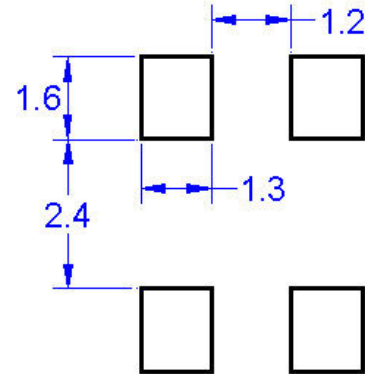
	Inches	mm
<b>A</b>	0.197 ± 0.006	5.00 ± 0.15
<b>B</b>	0.126 ± 0.006	3.20 ± 0.15
<b>C</b>	0.059 max	1.50 max
<b>E<sup>1</sup></b>	0.189	4.80
<b>F<sup>1</sup></b>	0.102	2.60
<b>G<sup>1</sup></b>	0.118	3.00
<b>H<sup>1</sup></b>	0.055	1.40
<b>J<sup>1</sup></b>	0.008R	0.20R



<sup>1</sup> Typical dimensions

**Pad Layout** mm shown

Disclaimer: Recommended layout shown.  
Adjust layout as needed for individual  
process requirements.



(Not to Scale)

**Contacts (pads):** Gold 11.8 to 39.4 μmches (0.3 to 1.0 μm) over Nickel 50 to 350 μmches (1.27 to 8.89 μm)

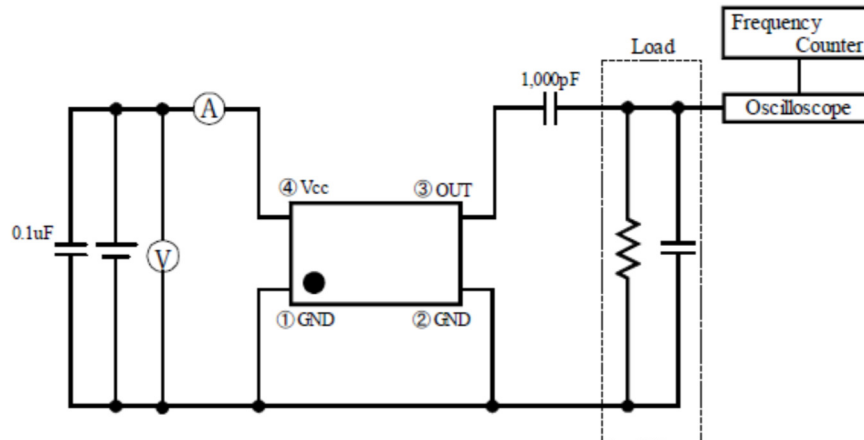
**Layout**

Pad	Function	Note
1	Vcontrol Input	If this function is not specified, recommend connecting this pad to ground.
2	Ground (GND)	
3	Output	The output is DC coupled. Most commonly used with external coupling capacitor. 0.001 to 0.01μF recommended.
4	V <sub>CC</sub> Supply Voltage	Connect an appropriate power supply bypass capacitor as close as possible

For Optimum Jitter Performance, Pletronics recommends:

- A ground plane under the device
- Do not route large transient signals (both current and voltage) under the device
- Do not place near a large magnetic field such as a high frequency switching power supply
- Do not place near piezoelectric buzzers or mechanical fans

**Electrical Test / Load Circuit**



**Environmental / ESD Ratings**

Reliability: Environmental Compliance

Parameter	Condition
Mechanical Shock	JESD22-B104
Vibration	JESD22-B103
Solderability	IPC J-STD-002
Thermal Shock	MIL-STD-883 Method 1011, Condition A

ESD Rating

Model	Min. Voltage	Condition
Human Body Model	2000V	JESD22-A114
Charged Device Model	500V	JESD 22-C101
Machine Model	200V	JESD22-A115

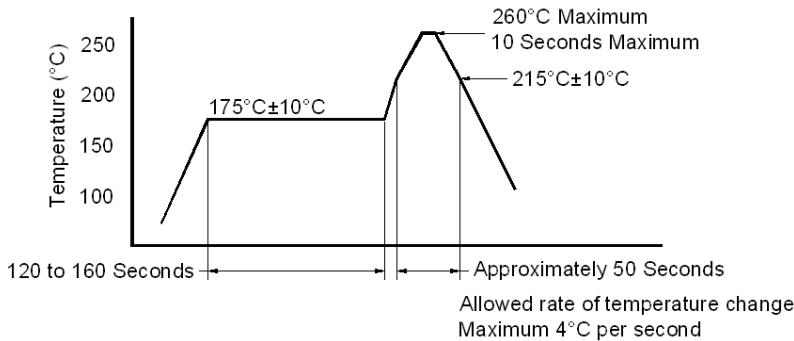
Absolute Maximum Ratings

Parameter	Unit
V <sub>CC</sub> Supply Voltage	-0.6V to +6V
V <sub>i</sub> Input Voltage	-0.6V to V <sub>CC</sub> + 0.6V
I <sub>o</sub> Output Current	-10mA to +10mA

**Thermal Characteristics:**

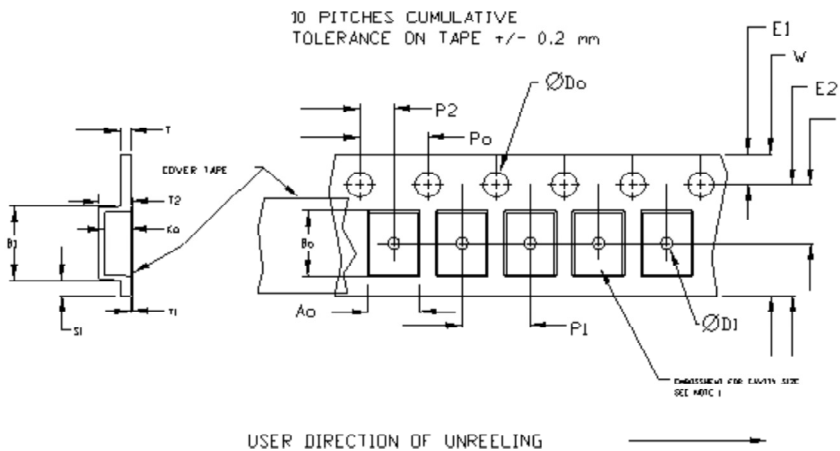
The maximum die or junction temperature is 155°C  
The thermal resistance junction to board is 30 to 50°C/Watt depending on the solder pads, ground plane and construction of the PCB.

**Reflow Cycle**



The part may be reflowed 2 times without degradation (typical for lead free processing).

**Tape and Reel**

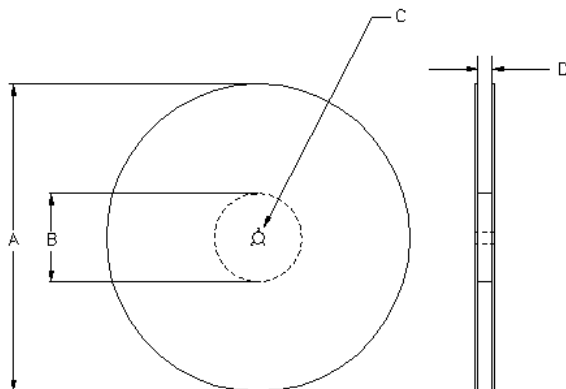


Tape Size	Do	D1 min	E1	Po	P2	S1 min	T max	T1 max
8mm	1.5	1.0	1.75	4.0	±0.05	0.6	0.6	0.1
12mm		1.5						
16mm		1.5			±0.1			
24mm	+0.1 -0.0	1.5			±0.1			

Tape Size	B1 max	E2 min	F	P1	T2 max	W max	Ao, Bo & K0
16mm	12.1	14.25	7.5 ± 0.1	8.0 ± 0.1	8.0	16.3	Note 1

Dimensions in mm Drawing Not to scale

Note 1: Embossed cavity to conform to EIA-481-B



Reel Size	A		B		C	D
	Inches	mm	Inches	mm		
7	7.0	177.8	2.50	63.5	13.0 +0.5 -0.2	Tape size +0.4 +2.0 -0.0
10	10.0	254.0	4.00	101.6		
13	13.0	330.2	3.75	95.3		

### Important Notice

Pletronics Incorporated (PLE) reserves the right to make corrections, improvements, modifications and other changes to this product at anytime. PLE reserves the right to discontinue any product or service without notice. Customers are responsible for obtaining the latest relevant information before placing orders and should verify that such information is current and complete. All products are sold subject to PLE's terms and conditions of sale supplied at the time of order acknowledgment.

PLE warrants performance of this product to the specifications applicable at the time of sale in accordance with PLE's limited warranty. Testing and other quality control techniques are used to the extent PLE deems necessary to support this warranty. Except where mandated by specific contractual documents, testing of all parameters of each product is not necessarily performed.

PLE assumes no liability for application assistance or customer product design. Customers are responsible for their products and applications using PLE components. To minimize the risks associated with the customer products and applications, customers should provide adequate design and operating safeguards.

PLE products are not designed, intended, authorized or warranted to be suitable for use in life support applications, devices or systems or other critical applications that may involve potential risks of death, personal injury or severe property or environmental damage. Inclusion of PLE products in such applications is understood to be fully at the risk of the customer. Use of PLE products in such applications requires the written approval of an appropriate PLE officer. Questions concerning potential risk applications should be directed to PLE.

PLE does not warrant or represent that any license, either express or implied, is granted under any PLE patent right, copyright, artwork or other intellectual property right relating to any combination, machine or process which PLE product or services are used. Information published by PLE regarding third-party products or services does not constitute a license from PLE to use such products or services or a warranty or endorsement thereof. Use of such information may require a license from a third party under the patents or other intellectual property of the third party, or a license from PLE under the patents or other intellectual property of PLE.

Reproduction of information in PLE data sheets or web site is permissible only if the reproduction is without alteration and is accompanied by associated warranties, conditions, limitations and notices. Reproduction of this information with alteration is an unfair and deceptive business practice. PLE is not responsible or liable for such altered documents.

Resale of PLE products or services with statements different from or beyond the parameters stated by PLE for that product or service voids all express and implied warranties for the associated PLE product or service and is an unfair or deceptive business practice. PLE is not responsible for any such statements.

### Contacting Pletronics Inc.

Pletronics, Inc.  
19013 36th Ave. West  
Lynnwood, WA 98036-5761  
U.S.A.

Tel: 425.776.1880  
Fax: 425.776.2760  
email: ple-sales@pletronics.com

URL: [www.pletronics.com](http://www.pletronics.com)

Компания «Океан Электроники» предлагает заключение долгосрочных отношений при поставках импортных электронных компонентов на взаимовыгодных условиях!

Наши преимущества:

- Поставка оригинальных импортных электронных компонентов напрямую с производств Америки, Европы и Азии, а так же с крупнейших складов мира;
- Широкая линейка поставок активных и пассивных импортных электронных компонентов (более 30 млн. наименований);
- Поставка сложных, дефицитных, либо снятых с производства позиций;
- Оперативные сроки поставки под заказ (от 5 рабочих дней);
- Экспресс доставка в любую точку России;
- Помощь Конструкторского Отдела и консультации квалифицированных инженеров;
- Техническая поддержка проекта, помощь в подборе аналогов, поставка прототипов;
- Поставка электронных компонентов под контролем ВП;
- Система менеджмента качества сертифицирована по Международному стандарту ISO 9001;
- При необходимости вся продукция военного и аэрокосмического назначения проходит испытания и сертификацию в лаборатории (по согласованию с заказчиком);
- Поставка специализированных компонентов военного и аэрокосмического уровня качества (Xilinx, Altera, Analog Devices, Intersil, Interpoint, Microsemi, Actel, Aeroflex, Peregrine, VPT, Syfer, Eurofarad, Texas Instruments, MS Kennedy, Miteq, Cobham, E2V, MA-COM, Hittite, Mini-Circuits, General Dynamics и др.);

Компания «Океан Электроники» является официальным дистрибьютором и эксклюзивным представителем в России одного из крупнейших производителей разъемов военного и аэрокосмического назначения «JONHON», а так же официальным дистрибьютором и эксклюзивным представителем в России производителя высокотехнологичных и надежных решений для передачи СВЧ сигналов «FORSTAR».



## JONHON

«JONHON» (основан в 1970 г.)

Разъемы специального, военного и аэрокосмического назначения:

(Применяются в военной, авиационной, аэрокосмической, морской, железнодорожной, горно- и нефтедобывающей отраслях промышленности)

«FORSTAR» (основан в 1998 г.)

ВЧ соединители, коаксиальные кабели, кабельные сборки и микроволновые компоненты:

(Применяются в телекоммуникациях гражданского и специального назначения, в средствах связи, РЛС, а так же военной, авиационной и аэрокосмической отраслях промышленности).



Телефон: 8 (812) 309-75-97 (многоканальный)

Факс: 8 (812) 320-03-32

Электронная почта: [ocean@oceanchips.ru](mailto:ocean@oceanchips.ru)

Web: <http://oceanchips.ru/>

Адрес: 198099, г. Санкт-Петербург, ул. Калинина, д. 2, корп. 4, лит. А