

Ground Fault Relay K6EL

Economical, Compact, High-performance, DIN 48 × 48-mm Ground Fault Relay for Low Voltages

- Performs continuous monitoring and detection of ground faults in low-voltage circuits due to the deterioration of insulation in electrical devices.
- Higher reliability ensured with improved resistance to high-frequency noise when used for inverter loads.
- Remote monitoring of cubicles is possible with automatic-reset models.
- Ground Fault Relays and through-type ZCTs (zero-phase current transformers) are mutually compatible.
- The through-type ZCTs are equipped with test terminals, allowing operation tests for Ground Fault Relays to be performed with ease.
- Series now includes K6EL-R50, which operates at 50 mA ±10%.



Model Number Structure

Model Number Legend

K6EL-□□
1 2 3

1. Ground Fault Relay

2. Operating Time and Reset Method

None: 0.1 s manual reset

A: 0.3/0.8 s (switchable) manual reset

R: 0.5 s automatic reset

3. Sensed Current

30: 30 mA (fixed)

50: 50 mA/150 mA (switchable)

100: 100 mA/200 mA (switchable)

200: 200 mA/500 mA (switchable)

500: 500 mA/1,000 mA (switchable)

Ordering Information

List of Models

Manual-reset Ground Fault Relays

Type	Operating time	Type	Medium-sensitivity models			
		High-sensitivity models	100 mA/200 mA (switchable)	200 mA/500 mA (switchable)	500 mA/1,000 mA (switchable)	
High-speed models	Less than 0.1 s	30 mA (fixed)	K6EL-30	K6EL-100	K6EL-200	K6EL-500
Delayed models	0.3/0.8 s (switchable)	---	K6EL-A100	K6EL-A200	K6EL-A500	

Automatic-reset Ground Fault Relays

Type	Operating time	Type	High-sensitivity models	Medium-sensitivity models
		Sensed current	50 mA/150 mA (switchable)	500 mA/1,000 mA (switchable)
Delayed models	Less than 0.5 s	---		K6EL-R500
		K6EL-R50 (See note.)		---

Note: Operating Error
50-mA tap: ±10%
150-mA tap: ±20%

ZCTs (Zero-phase Current Transformers)

Rated current	Type Sensed current	Indoor through-type models		Indoor separate-type models	
		Model	Diameter of through-hole	Model	Diameter of through-hole
50 A		OTG-L21	21 mm	---	---
100 A		OTG-L30	30 mm	---	22 mm
200 A		OTG-L42	42 mm	OTG-CN52	52 mm
400 A		OTG-L68	68 mm	OTG-CN77	77 mm
600 A		OTG-L82	82 mm	OTG-CN112	112 mm
1,000 A		OTG-L156	156 mm	---	---

■ Ground Fault Relay and ZCT Combinations

(OK: Compatible)

ZCT	Ground Fault Relay	K6EL-30 K6EL-R50	K6EL-100, -200, -500, -R500 K6EL-A100, -A200, -A500
OTG-L21 (50 A)		OK	OK
OTG-L30 (100 A)		OK	OK
OTG-L42 (200 A)		OK	OK
OTG-L68 (400 A)		---	OK
OTG-L82 (600 A)		---	OK
OTG-L156 (1,000 A)		---	OK
OTG-CN52 (200 A)		---	OK
OTG-CN77 (400 A)		---	OK
OTG-CN112 (600 A)		---	OK

Note: 1. "OK" indicates groupings that can be combined freely.
2. Combinations with the OTG-LA□□ are also possible.

■ Options

Flush Mounting Adapters

Model
Y92F-30
Y92F-71

Front Cover

Model
Y92A-48B (Hard Cover)
Y92A-48D(Soft Cover)

Specifications

■ Ground Fault Relay Ratings

Item	Type	High-speed models	Delayed models	Delayed high-sensitivity models	
Control power supply		100/110 VAC or 200/220 VAC, 50/60 Hz (same for all) (See note 1.)		100 VAC	
Rated current		Depends on the ZCT			
Sensed current		50% to 100% of the rated sensed current (50 mA ±10%, 150 mA ±20%) (See note 2.)			
Non-operating current		0% to 50% of the rated sensed current			
Rated short-time current		2,500 A			
Ground fault indication method		LED (red)			
Test method		Relay operation confirmed using a test button. (Independent of ZCT connection.)			
Reset method	Manual	Either press the reset button or turn the control power supply OFF and ON again.			
	Automatic	Automatically resets when the ground fault is cleared.			
Built-in contacts	Contact form	SPDT+SPST-NO		SPDT	
	Carrying current	5 A		3 A	
	Rated load		cosφ = 1	cosφ = 0.4 (L/R = 7 ms)	cosφ = 1
		240 VAC	5 A	2 A	220 VAC, 3 A
110 VDC		0.3 A	0.2 A		
30 VDC	5 A	3 A			
Power (VA) consumption		3 VA max.			
Weight		Approx. 110 g			

Note: 1. The K6EL-R50 requires a 100-VAC control power supply.
2. Only the K6EL-R50 can be switched between 50 mA ±10% and 150 mA ±20%.

■ Ground Fault Relay Characteristics

Item	Type	High-speed models	Delayed models	Delayed high-sensitivity models
Operating time		Less than 0.1 s	0.3 s/0.8 s (switchable)	Less than 0.5 s
Inertial non-operating time		---	0.1 s when set to 0.3 s 0.5 s when set to 0.8 s	
Control power supply range		80% to 110% of the control power supply voltage		
Operating temperature range		-10 to 55 °C (with no icing)		
Operating humidity range		45% to 85% (with no condensation)		
Insulation resistance		5 M Ω min. at 500 VDC (between charged parts and the mounting panel)		
Dielectric strength		1,500 VAC, 50/60 Hz for 1 min (between charged parts and the mounting panel)		
Lightning impulse dielectric strength		1.2/50 μ s, 7,000 V (between control power supply terminals)		
Lightning impulse operation failure		1.2/50 μ s, 7,000 V (primary side of ZCT)		
Vibration resistance		Destruction: 16.7 Hz, 4-mm double amplitude for 1 min		
Shock resistance		98 m/s ²		

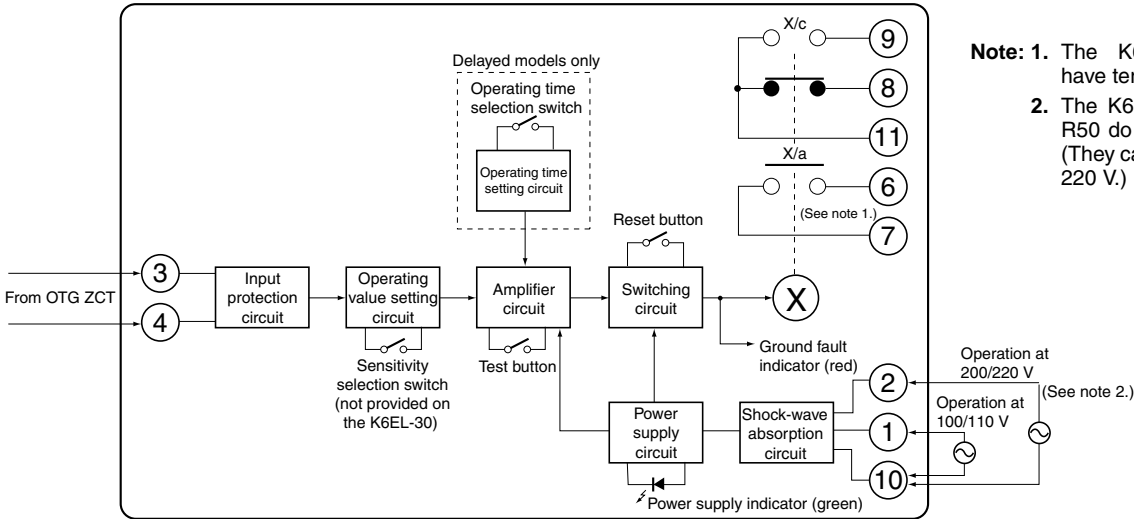
Note: The range for an operating time of 0.3 s is 0.15 to 0.45 s and the range for an operating time of 0.8 s is 0.6 to 1.2 s.

■ ZCT (Zero-phase Current Transformer)

Item	Structure Model	Indoor through-type models					Indoor separate-type models			
		OTG-L21	OTG-L30	OTG-L42	OTG-L68	OTG-L82	OTG-L156	OTG-CN52	OTG-CN77	OTG-CN112
Rated current		50 A	100 A	200 A	400 A	600 A	1,000 A	200 A	400 A	600 A
Diameter of through-hole		21 mm	30 mm	42 mm	68 mm	82 mm	156 mm	52 mm	77 mm	112 mm
Rated voltage		600 VAC max., 50/60 Hz, single-phase/three-phase								
Output terminal polarity		None (The ZCT's output terminals k and l can be connected to either input terminals 3 or 4 of the Relay.) (See note.)								
Insulation resistance		100 M Ω min. (between charged metal parts and ground)								
Dielectric strength		2,200 VAC, 50/60 Hz for 1 min (between charged metal parts and ground)								
Ambient operating temperature		-10 to 60 °C (with no icing)								
Weight		Approx. 90 g	Approx. 130 g	Approx. 230 g	Approx. 480 g	Approx. 700 g	Approx. 6.6 kg	Approx. 1.3 kg	Approx. 2.5 kg	Approx. 3.5 kg

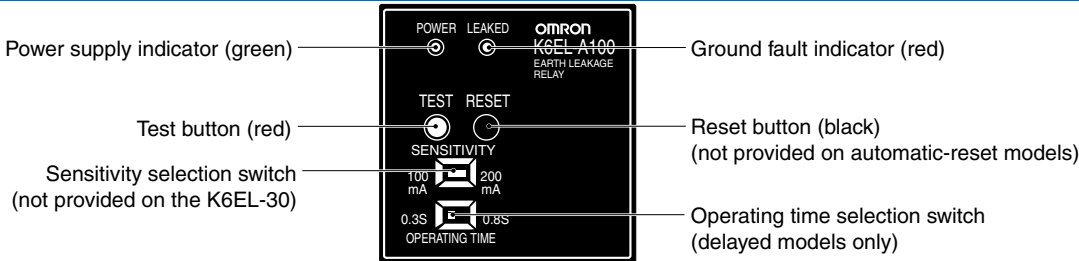
Note: Do not connect ZCT output terminals k and l to ground. Doing so may result in damage to the Relay.

Internal Block Diagram



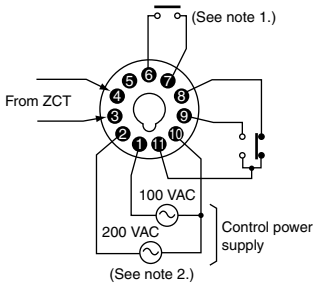
- Note:**
1. The K6EL-R50 does not have terminals 6 and 7.
 2. The K6EL-R500 and K6EL-R50 do not have terminal 2. (They cannot be used at 200/220 V.)

Nomenclature

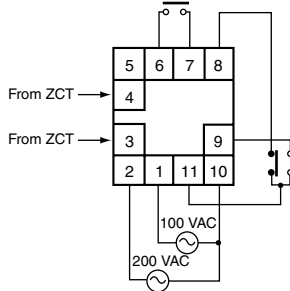


Connections

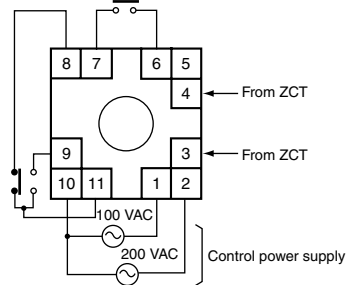
Ground Fault Relay (from Pin Side)



Ground Fault Relay with P3GA-11 (from Terminal Side)



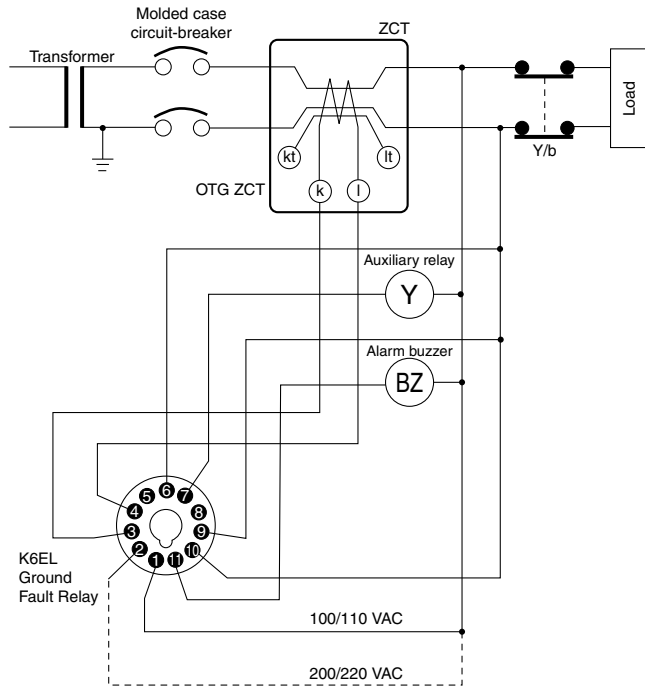
Ground Fault Relay with P2CF-11 (from Terminal Side)



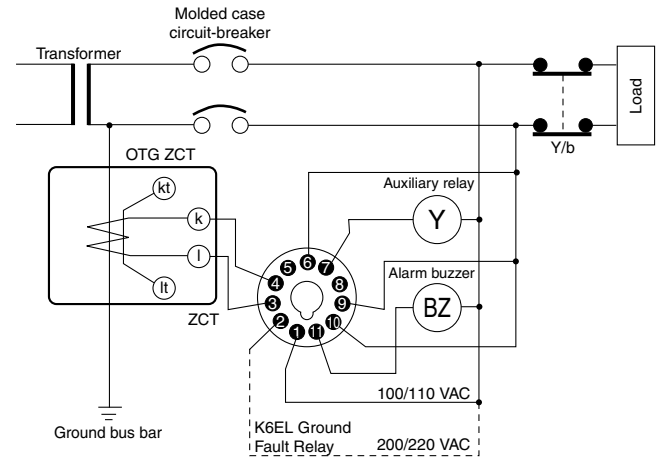
- Note:**
1. The K6EL-R50 does not have terminals 6 and 7.
 2. The K6EL-R500 and K6EL-R50 do not have terminal 2. (They cannot be used at 200/220 V.)

Connection Examples

Installation on the Electrical Path



Installation on a Ground Bus Bar



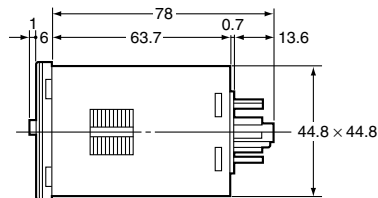
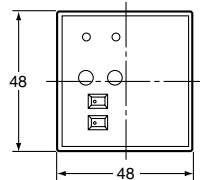
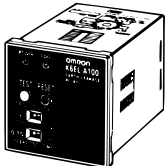
⚠ Do not, under any circumstances, connect the k and l lines to ground.

Note: When not using the kt and It terminals (test terminals), leave them unconnected. The Relay may not be able to attain its performance characteristics if used with the kt and It terminals connected.

Dimensions

Note: All units are in millimeters unless otherwise indicated.

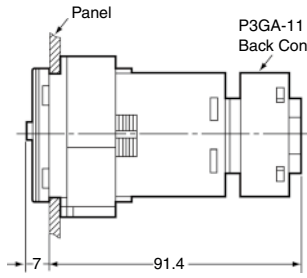
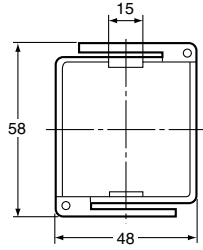
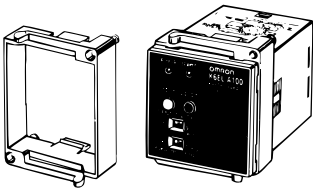
Ground Fault Relay



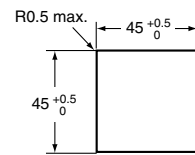
Applicable Connecting Sockets
 P2CF-11 Front Connecting Socket
 P3GA-11 Back Connecting Socket
 PL11 Back Connecting Socket

Dimensions with Adapter Mounted

**Y92F-30 Flush Mounting Adapter
(Sold Separately)**

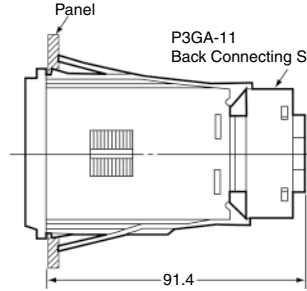
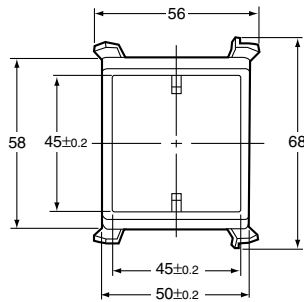
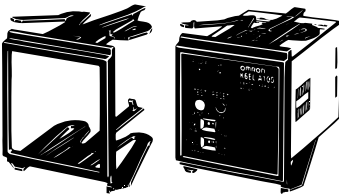


**Mounting Hole
Cutout Dimensions**

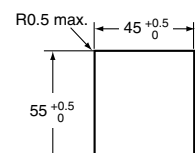


Note: Recommended panel thickness: 1 to 3.2 mm.

**Y92F-71 Flush Mounting Adapter
(Sold Separately)**

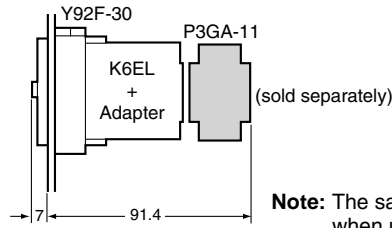
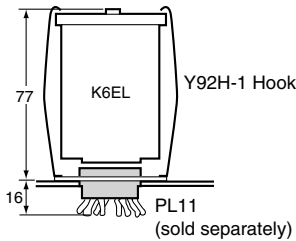
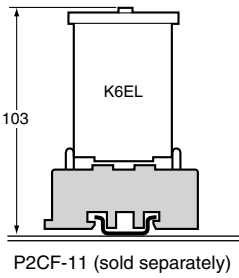


**Mounting Hole
Cutout Dimensions**



Note: Recommended panel thickness: 1 to 3.2 mm.

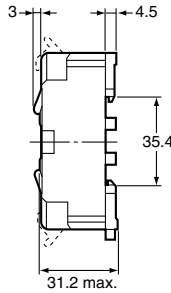
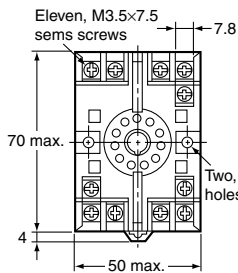
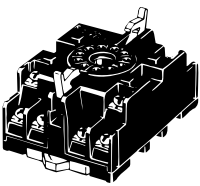
Dimensions for Socket Mounting



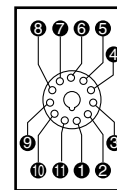
Note: The same dimensions apply when using the Y92F-71 Adapter.

Connecting Sockets

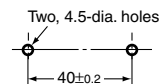
P2CF-11 Front Connecting Socket



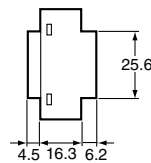
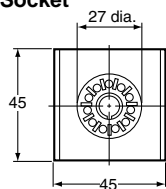
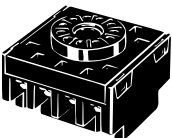
**Terminal Arrangement
(Top View)**



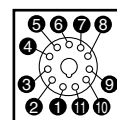
Mounting Holes



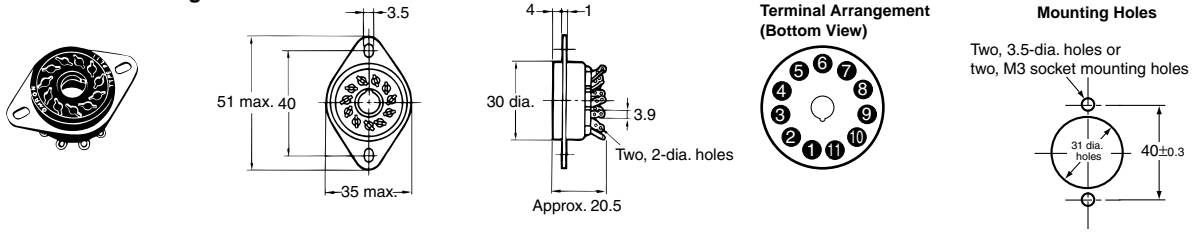
P3GA-11 Back Connecting Socket



**Terminal Arrangement
(Top View)**



PL11 Back Connecting Socket

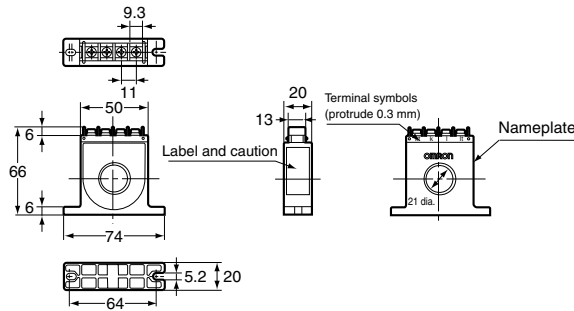


Front Cover

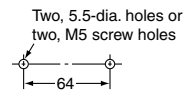
Model
Y92A-48B (Hard Cover)
Y92A-48D (Soft Cover)

ZCT

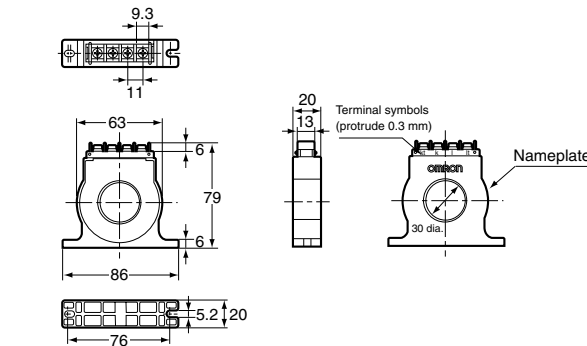
**Indoor Through-type Models
OTG-L21 (50 A)**



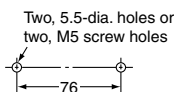
**Mounting Hole
Cutout Dimensions**



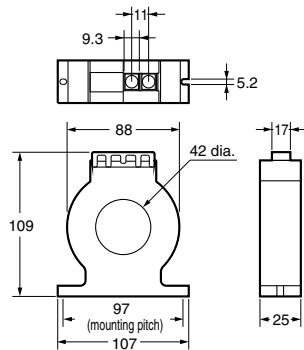
OTG-L30 (100 A)



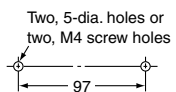
**Mounting Hole
Cutout Dimensions**



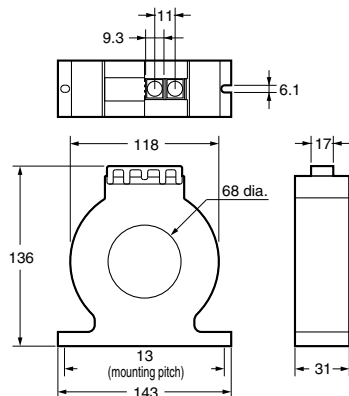
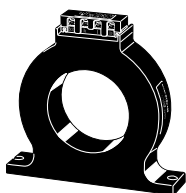
OTG-L42 (200 A)



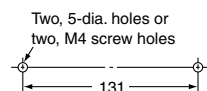
**Mounting Hole
Cutout Dimensions**



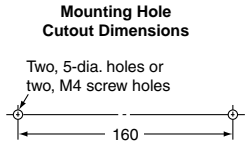
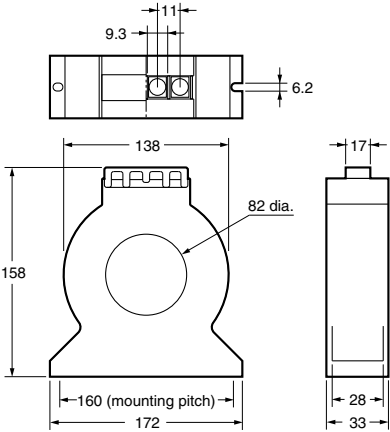
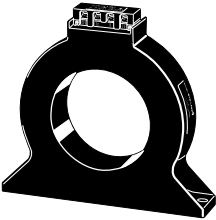
OTG-L68 (400 A)



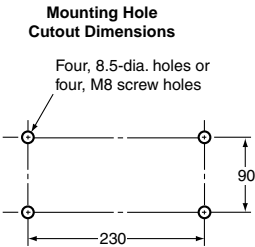
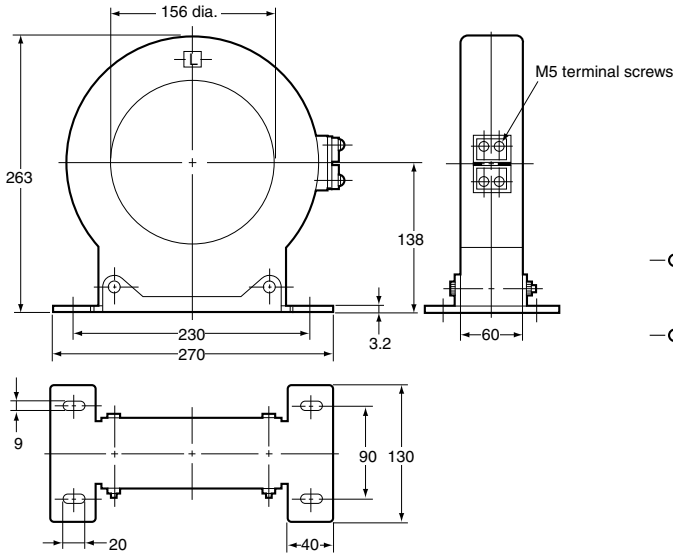
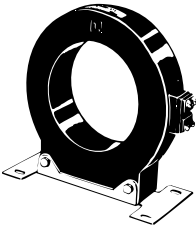
**Mounting Hole
Cutout Dimensions**



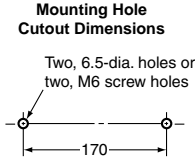
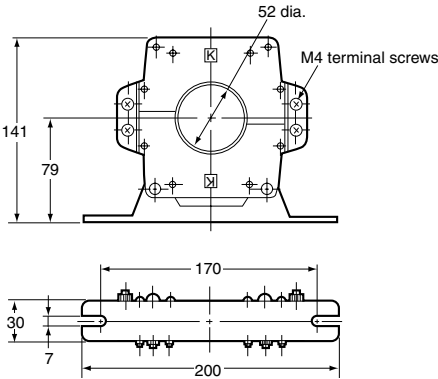
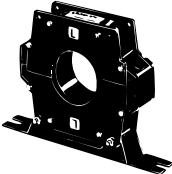
OTG-L82 (600 A)



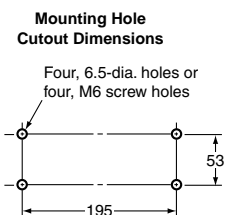
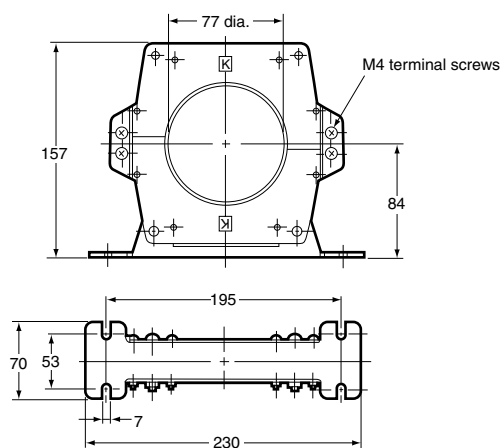
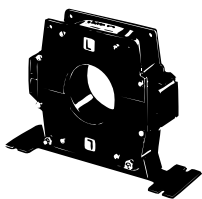
OTG-L156 (1,000 A)



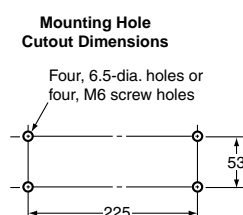
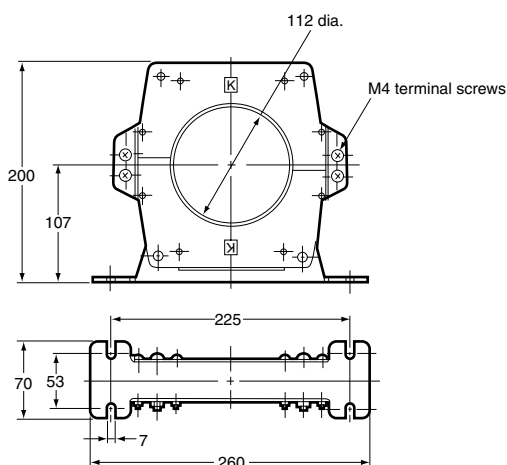
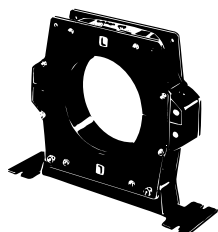
Indoor Separate-type Models
OTG-CN52 (200 A)



OTG-CN77 (400 A)



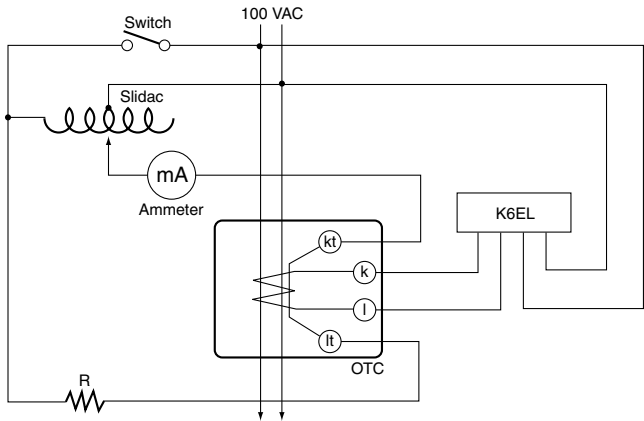
OTG-CN112 (600 A)



Maximum Wire Sizes for ZCTs

Model	Rated current	Wire/cable Through-hole diameter	600-V vinyl-insulated wire (IV)		Cable (VVR)	
			2-wire	3-wire	2-wire	3-wire
OTG-L21	50 A	21 dia.	22 mm ²	14 mm ²	8 mm ²	5.5 mm ²
OTG-L30	100 A	30 dia.	60 mm ²	38 mm ²	38 mm ²	38 mm ²
OTG-L42	200 A	42 dia.	100 mm ²	100 mm ²	100 mm ²	60 mm ²
OTG-L68	400 A	68 dia.	400 mm ²	325 mm ²	325 mm ²	250 mm ²
OTG-L82	600 A	82 dia.	500 mm ²	500 mm ²	400 mm ²	400 mm ²
OTG-L156	1,000 A	156 dia.	500 mm ²	500 mm ²	1,000 mm ²	1,000 mm ²
OTG-CN52	200 A	52 dia.	200 mm ²	200 mm ²	150 mm ²	100 mm ²
OTG-CN77	400 A	77 dia.	500 mm ²	400 mm ²	400 mm ²	325 mm ²
OTG-CN112	600 A	112 dia.	500 mm ²	500 mm ²	1,000 mm ²	1,000 mm ²

Test Circuit



- 200 mA: 500 Ω, 50 W
- 500 mA: 200 Ω, 100 W
- 1,000 mA: 100 Ω, 200 W

Select the resistance R shown in the test circuit diagram according to the K6EL's rated sensed current. Change the current using the slidac and ascertain the K6EL's operating value each time by reading the ammeter.

For example, R could take the values shown below:
 30 mA: 3.3 kΩ, 6 W
 100 mA: 1 kΩ, 20 W

Safety Precautions

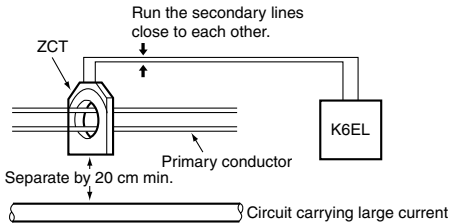
■ Correct Use

Installation and Wiring

- Do not, under any circumstances, connect the ZCT's output terminals k and l to ground. Doing so may result in damage to the Relay's internal circuits.
- Pass the primary conductor through the ZCT once.
- The Relay detects ground faults in internal wiring of devices due to insulation deterioration and so install the ZCT as close to the power supply side as possible.

ZCT Installation

- Install the ZCT at an outdoor cable inlet or on a ground bus bar at a location allowing easy inspection.
- When installing on the electrical path, use a ZCT with a value greater than the electrical path's rated current.
- If the secondary lines run in parallel to a circuit carrying a large current, either separate the lines as far as possible or use a shield line.



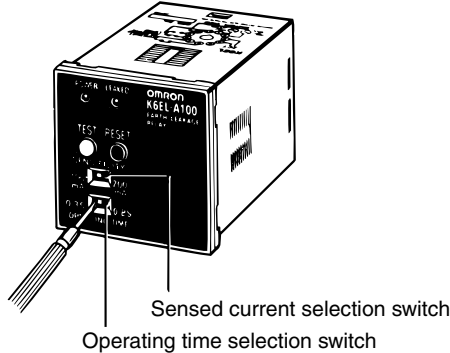
- When installing a separate-type ZCT with current flowing along the primary conductors, short the secondary terminals using clips or some other method.

Switching the Sensed Current

1. With the K6EL-□100, 200, 500, R50, and R500, the sensed current can be switched using a flat-bladed screwdriver.
2. The sensed current for the K6EL-30 is fixed and hence cannot be switched.

Switching the Operating Time

1. With the K6EL-A100, A200, and A500, the operating time can be switched using a flat-bladed screwdriver.
2. The operating time for the K6EL-30, 100, 200, 500, R50, and R500 is fixed and hence cannot be switched.



Testing

- If the ground fault indicator (red) lights when the Relay's test button is pressed, it means that the internal circuits are operating normally.
- To make an overall test, run a simulated ground fault current.

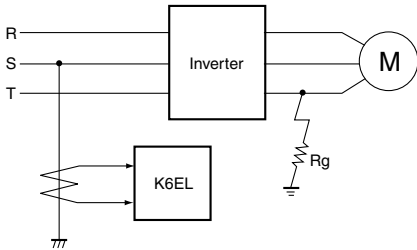
Resetting

- Once manual-reset models operate, they continue to operate until they are reset. Reset them either by pressing the reset button (black) or by turning the control power supply OFF and ON again.
- Automatic-reset models reset automatically when the ground fault is cleared (i.e., the current drops below the sensed current).

Q&A

Q: How does the K6EL operate when used for inverter loads (e.g., inverter motors and inverter air conditioners)?

A: The influence of high-frequency noise generated by the inverter has been reduced by combining a special ground fault relay IC and a capacitor for cutting out high-frequencies. The possibility of malfunctions due to the influence of the inverter is much less than with the existing ESA Ground Fault Relay.



Q: What connection method should be used for ungrounded electrical paths?

A: With ungrounded electrical paths, connect the capacitor or resistor for detection in the way shown in the diagram. The table shows the formulas for calculating the resistance or capacitance as well as the formulas for calculating ground currents for complete ground faults. (Depending on the location, the allowable ground fault current may be restricted. In this case, use values of R and C that do not exceed the restrictions.)

	Connection method	Formula for resistor or capacitor	Formula for ground current	Formula for safety ground fault
Single-phase electrical path		Resistor: $R = \frac{V}{2It}$ (Ω) $P = \frac{5V^2}{R}$ (W)	$I_g = \frac{V}{2R_g + R}$ (A)	$I_g = \frac{V}{R}$ (A)
		Capacitor: $C = \frac{2It}{2\pi fV}$ (F) Dielectric strength > 2 V (V)		

ALL DIMENSIONS SHOWN ARE IN MILLIMETERS.

To convert millimeters into inches, multiply by 0.03937. To convert grams into ounces, multiply by 0.03527.

In the interest of product improvement, specifications are subject to change without notice.

Read and Understand This Catalog

Please read and understand this catalog before purchasing the products. Please consult your OMRON representative if you have any questions or comments.

Warranty and Limitations of Liability

WARRANTY

OMRON's exclusive warranty is that the products are free from defects in materials and workmanship for a period of one year (or other period if specified) from date of sale by OMRON.

OMRON MAKES NO WARRANTY OR REPRESENTATION, EXPRESS OR IMPLIED, REGARDING NON-INFRINGEMENT, MERCHANTABILITY, OR FITNESS FOR PARTICULAR PURPOSE OF THE PRODUCTS. ANY BUYER OR USER ACKNOWLEDGES THAT THE BUYER OR USER ALONE HAS DETERMINED THAT THE PRODUCTS WILL SUITABLY MEET THE REQUIREMENTS OF THEIR INTENDED USE. OMRON DISCLAIMS ALL OTHER WARRANTIES, EXPRESS OR IMPLIED.

LIMITATIONS OF LIABILITY

OMRON SHALL NOT BE RESPONSIBLE FOR SPECIAL, INDIRECT, OR CONSEQUENTIAL DAMAGES, LOSS OF PROFITS, OR COMMERCIAL LOSS IN ANY WAY CONNECTED WITH THE PRODUCTS, WHETHER SUCH CLAIM IS BASED ON CONTRACT, WARRANTY, NEGLIGENCE, OR STRICT LIABILITY.

In no event shall responsibility of OMRON for any act exceed the individual price of the product on which liability is asserted.

IN NO EVENT SHALL OMRON BE RESPONSIBLE FOR WARRANTY, REPAIR, OR OTHER CLAIMS REGARDING THE PRODUCTS UNLESS OMRON'S ANALYSIS CONFIRMS THAT THE PRODUCTS WERE PROPERLY HANDLED, STORED, INSTALLED, AND MAINTAINED AND NOT SUBJECT TO CONTAMINATION, ABUSE, MISUSE, OR INAPPROPRIATE MODIFICATION OR REPAIR.

Application Considerations

SUITABILITY FOR USE

OMRON shall not be responsible for conformity with any standards, codes, or regulations that apply to the combination of products in the customer's application or use of the product.

At the customer's request, OMRON will provide applicable third party certification documents identifying ratings and limitations of use that apply to the products. This information by itself is not sufficient for a complete determination of the suitability of the products in combination with the end product, machine, system, or other application or use.

The following are some examples of applications for which particular attention must be given. This is not intended to be an exhaustive list of all possible uses of the products, nor is it intended to imply that the uses listed may be suitable for the products:

- Outdoor use, uses involving potential chemical contamination or electrical interference, or conditions or uses not described in this catalog.
- Nuclear energy control systems, combustion systems, railroad systems, aviation systems, medical equipment, amusement machines, vehicles, safety equipment, and installations subject to separate industry or government regulations.
- Systems, machines, and equipment that could present a risk to life or property.

Please know and observe all prohibitions of use applicable to the products.

NEVER USE THE PRODUCTS FOR AN APPLICATION INVOLVING SERIOUS RISK TO LIFE OR PROPERTY WITHOUT ENSURING THAT THE SYSTEM AS A WHOLE HAS BEEN DESIGNED TO ADDRESS THE RISKS, AND THAT THE OMRON PRODUCT IS PROPERLY RATED AND INSTALLED FOR THE INTENDED USE WITHIN THE OVERALL EQUIPMENT OR SYSTEM.

Disclaimers

CHANGE IN SPECIFICATIONS

Product specifications and accessories may be changed at any time based on improvements and other reasons.

It is our practice to change model numbers when published ratings or features are changed, or when significant construction changes are made. However, some specifications of the product may be changed without any notice. When in doubt, special model numbers may be assigned to fix or establish key specifications for your application on your request. Please consult with your OMRON representative at any time to confirm actual specifications of purchased product.

DIMENSIONS AND WEIGHTS

Dimensions and weights are nominal and are not to be used for manufacturing purposes, even when tolerances are shown.

ERRORS AND OMISSIONS

The information in this catalog has been carefully checked and is believed to be accurate; however, no responsibility is assumed for clerical, typographical, or proofreading errors, or omissions.

PERFORMANCE DATA

Performance data given in this catalog is provided as a guide for the user in determining suitability and does not constitute a warranty. It may represent the result of OMRON's test conditions, and the users must correlate it to actual application requirements. Actual performance is subject to the OMRON Warranty and Limitations of Liability.

PROGRAMMABLE PRODUCTS

OMRON shall not be responsible for the user's programming of a programmable product, or any consequence thereof.

COPYRIGHT AND COPY PERMISSION

This catalog shall not be copied for sales or promotions without permission.

This catalog is protected by copyright and is intended solely for use in conjunction with the product. Please notify us before copying or reproducing this catalog in any manner, for any other purpose. If copying or transmitting this catalog to another, please copy or transmit it in its entirety.

Компания «Океан Электроники» предлагает заключение долгосрочных отношений при поставках импортных электронных компонентов на взаимовыгодных условиях!

Наши преимущества:

- Поставка оригинальных импортных электронных компонентов напрямую с производств Америки, Европы и Азии, а так же с крупнейших складов мира;
- Широкая линейка поставок активных и пассивных импортных электронных компонентов (более 30 млн. наименований);
- Поставка сложных, дефицитных, либо снятых с производства позиций;
- Оперативные сроки поставки под заказ (от 5 рабочих дней);
- Экспресс доставка в любую точку России;
- Помощь Конструкторского Отдела и консультации квалифицированных инженеров;
- Техническая поддержка проекта, помощь в подборе аналогов, поставка прототипов;
- Поставка электронных компонентов под контролем ВП;
- Система менеджмента качества сертифицирована по Международному стандарту ISO 9001;
- При необходимости вся продукция военного и аэрокосмического назначения проходит испытания и сертификацию в лаборатории (по согласованию с заказчиком);
- Поставка специализированных компонентов военного и аэрокосмического уровня качества (Xilinx, Altera, Analog Devices, Intersil, Interpoint, Microsemi, Actel, Aeroflex, Peregrine, VPT, Syfer, Eurofarad, Texas Instruments, MS Kennedy, Miteq, Cobham, E2V, MA-COM, Hittite, Mini-Circuits, General Dynamics и др.);

Компания «Океан Электроники» является официальным дистрибьютором и эксклюзивным представителем в России одного из крупнейших производителей разъемов военного и аэрокосмического назначения «JONHON», а так же официальным дистрибьютором и эксклюзивным представителем в России производителя высокотехнологичных и надежных решений для передачи СВЧ сигналов «FORSTAR».



JONHON

«JONHON» (основан в 1970 г.)

Разъемы специального, военного и аэрокосмического назначения:

(Применяются в военной, авиационной, аэрокосмической, морской, железнодорожной, горно- и нефтедобывающей отраслях промышленности)

«FORSTAR» (основан в 1998 г.)

ВЧ соединители, коаксиальные кабели, кабельные сборки и микроволновые компоненты:

(Применяются в телекоммуникациях гражданского и специального назначения, в средствах связи, РЛС, а так же военной, авиационной и аэрокосмической отраслях промышленности).



Телефон: 8 (812) 309-75-97 (многоканальный)

Факс: 8 (812) 320-03-32

Электронная почта: ocean@oceanchips.ru

Web: <http://oceanchips.ru/>

Адрес: 198099, г. Санкт-Петербург, ул. Калинина, д. 2, корп. 4, лит. А