

Amphenol Pcd Relay Sockets

MIL-PRF-12883

Amphenol Pcd MIL-PRF-12883 Relay Sockets

Amphenol Pcd offers the industry's broadest line of pluggable relay sockets for commercial and military airborne, ground and shipboard equipment. Sockets are to MIL-PRF-12883 specifications, plus specialized requirements, and are supplied in a broad range of military standard and special configurations and styles for 2 through 25 amp operations.

Amphenol Pcd relay Sockets feature state of the art ultrasonically bonded interfaces between the dielectric components, which eliminate air paths and provide protection against moisture and degradation.



**Low Profile
Relay Sockets**

**Extended Height
Relay Sockets**

**Microminiature
Relay Sockets**

**Board Mount
Relay Sockets**

**Track Mount
Relay Sockets**

**Solder Termination
Relay Sockets**

Key Features and Benefits

Socket Selection

Reference tables of QPL listings on Page 5, relays utilized with specific sockets on pages 6-7 and socket recommendations for military and commercial relays on pages 8-9 will assist in and simplify socket selection.

Socket Variations

Low Profile

Low Profile Relay Sockets are provided in all military configurations, are configured to a minimum size and weight, and accept the MIL-C-39029/92 contact family.

Extended Height

Extended Height Sockets are configured to accept the longer MIL-C-39029/5 contact - which is standard on many cylindrical connectors and other avionic interconnect systems - and allow contact standardization.

Mounting Hardware

Sockets are available with either fixed or loose mounting studs. Studs and hardware supplied with standard Amphenol Pcd QPL-listed sockets are cold rolled steel. Stainless steel is available as an alternate. To specify stainless steel, an "S" is added to both the QPL number and the Amphenol Pcd catalog number.

Mounting Style

Relay sockets can be top or bottom mounted. See appropriate catalog pages for mounting instructions.

Polarization

Relay-to-socket positive polarization is provided by specific contact configurations and/or polarizing pins, in accordance with MIL-Spec requirements.

Contact

Closed entry socket contacts qualified to MIL-C-39029 are utilized and supplied with Amphenol Pcd Relay Sockets. Note: Relay Socket catalog numbers include the appropriate number of contacts as defined in the applicable military specification.



Military Qualified, QPL Listed Relay Socket Part Numbers

| Military Socket P/N | PCD Socket P/N | Page |
|---------------------|----------------|------|
| M12883/40-01 | RSL116079 | 10 |
| M12883/40-02 | RSL116081 | 10 |
| M12883/40-03 | RSL116083 | 10 |
| M12883/40-04 | RSL116085 | 10 |
| M12883/40-05 | RSL116087 | 10 |
| M12883/40-06 | RSL116089 | 10 |
| M12883/40-07 | RSL116051 | 10 |
| M12883/40-08 | RSL116053 | 10 |
| M12883/40-09 | RSL116055 | 10 |
| M12883/40-10 | RSL116057 | 10 |
| M12883/40-11 | RSL116059 | 10 |
| M12883/40-12 | RSL116061 | 10 |
| M12883/40-13 | RSE116661 | 11 |
| M12883/40-14 | RSE116663 | 11 |
| M12883/40-15 | RSE116665 | 11 |
| M12883/40-16 | RSE116667 | 11 |
| M12883/40-17 | RSE116669 | 11 |
| M12883/40-18 | RSE116671 | 11 |
| M12883/40-19 | RSE116673 | 11 |
| M12883/40-20 | RSE116675 | 11 |
| M12883/40-21 | RSE116677 | 11 |
| M12883/40-22 | RSE116679 | 11 |
| M12883/40-23 | RSE116681 | 11 |
| M12883/40-24 | RSE116683 | 11 |
| M12883/41-01 | RSL116091 | 12 |
| M12883/41-02 | RSL116093 | 12 |
| M12883/41-03 | RSL116095 | 12 |
| M12883/41-04 | RSL116097 | 12 |
| M12883/41-05 | RSL116099 | 12 |
| M12883/41-06 | RSL116063 | 12 |
| M12883/41-07 | RSL116065 | 12 |
| M12883/41-08 | RSL116067 | 12 |
| M12883/41-09 | RSL116069 | 12 |
| M12883/41-10 | RSL116071 | 12 |
| M12883/41-11 | RSE116685 | 13 |
| M12883/41-12 | RSE116687 | 13 |
| M12883/41-13 | RSE116689 | 13 |
| M12883/41-14 | RSE116691 | 13 |
| M12883/41-15 | RSE116693 | 13 |
| M12883/41-16 | RSE116695 | 13 |
| M12883/41-17 | RSE116697 | 13 |
| M12883/41-18 | RSE116699 | 13 |
| M12883/41-19 | RSE116701 | 13 |

| Military Socket P/N | PCD Socket P/N | Page |
|---------------------|----------------|------|
| M12883/41-20 | RSE116703 | 13 |
| M12883/44-01 | RSE120151 | 14 |
| M12883/44-02 | RSE120153 | 14 |
| M12883/44-03 | RSE120155 | 14 |
| M12883/44-04 | RSE120157 | 14 |
| M12883/45-01 | RSE120159 | 15 |
| M12883/45-02 | RSE120161 | 15 |
| M12883/45-03 | RSE120163 | 15 |
| M12883/45-04 | RSE120165 | 16 |
| M12883/45-05 | RSE120167 | 16 |
| M12883/45-06 | RSE120169 | 16 |
| M12883/46-01 | RSE116747 | 17 |
| M12883/46-02 | RSE116749 | 17 |
| M12883/46-03 | RSE116751 | 17 |
| M12883/46-04 | RSE116753 | 17 |
| M12883/47-01 | RSE116755 | 18 |
| M12883/47-02 | RSE116757 | 18 |
| M12883/47-04 | RSE116761 | 18 |
| M12883/47-05 | RSE116763 | 18 |
| M12883/47-07 | RSL116101 | 18 |
| M12883/47-08 | RSL116103 | 18 |
| M12883/47-10 | RSL116073 | 18 |
| M12883/47-11 | RSL116075 | 18 |
| M12883/48-01 | RSE112061 | 19 |
| M12883/48-02 | RSE112063 | 19 |
| M12883/48-03 | RSL112105 | 19 |
| M12883/48-04 | RSL112101 | 19 |
| M12883/48-05 | RSE112065 | 19 |
| M12883/48-06 | RSE112067 | 19 |
| M12883/48-07 | RSL112107 | 19 |
| M12883/48-08 | RSL112103 | 19 |
| M12883/52-001 | RSE116175 | 20 |
| M12883/52-002 | RSE116185 | 20 |
| M12883/52-003 | RSE116195 | 20 |
| M12883/53-001 | RST145005 | 20 |
| M12883/54-01 | RSE116627 | 21 |
| M12883/54-02 | RSE116631 | 21 |
| M12883/54-03 | RSE116629 | 21 |
| M12883/54-04 | RSE116635 | 21 |
| M12883/55-01 | RSE112035 | 22 |
| M12883/55-02 | RSE112036 | 22 |
| M12883/55-03 | RSE112044 | 22 |

Stainless Steel Hardware

To specify Relay Sockets with Stainless Steel hardware, the suffix "S" is added to both the military and Amphenol Pcd part Numbers. For example, M12883/40-01 becomes M12883/40-01S, and the Amphenol Pcd equivalent RSL116079 becomes RSL116079-S.

Relay Socket Cross Reference Chart

Relay to Relay Socket

| Military Relay Part Number | Military Socket Part Number | APCD Socket Part Number | Relay Type | Page |
|--|--|--|-----------------|-------|
| M83536/15-002 M83536/16-006, -014, -031, -034 M83726/1, /2, /3, /4, /28, /29, /30, /31* MS27709-2 | M12883/40-01 M12883/40-05 M12883/40-07 M12883/40-11 M12883/40-13 M12883/40-17 M12883/40-19 M12883/40-23 | RSL116079 RSL116087 RSL116051 RSL116059 RSE116661 RSE116669 RSE116673 RSE116681 | 4 Pole / 10 Amp | 10-11 |
| M83536/17-002, 17-005 | M12883/40-02 M12883/40-08 M12883/40-14 M12883/40-20 | RSL116081 RSL116053 RSE116663 RSE116675 | 4 Pole / 10 Amp | 10-11 |
| M83536/18-002, -005, -008, -012 M83536/19-002, -005, -008, -012 M83536/20-002 | M12883/40-06 M12883/40-12 M12883/40-18 M12883/40-24 | RSL116089 RSL116061 RSL116671 RSE116683 | 4 Pole / 10 Amp | 10-11 |
| M83536/21-006, -014, -022, -030 M83536/22-006, -014, -022, -031 | M12883/46-01 | RSE116747 | 3 Pole / 10 Amp | 17 |
| M83536/25-002 M83536/26-002 | M12883/47-01 M12883/47-04 M12883/47-07 M12883/47-10 | RSE116755 RSE116761 RSL116101 RSL116073 | 6 Pole / 10 Amp | 18 |
| M6106/27-002 | M12883/47-02 M12883/47-05 M12883/47-08 M12883/47-11 | RSE116757 RSE116763 RSL116103 RSL116075 | 6 Pole / 10 Amp | 18 |
| MS27742-2 | M12883/54-04 | RSE116635 | 3 Pole / 25 Amp | 21 |
| MS27743-06, -12, -18, -24 | M12883/48-01 M12883/48-02 M12883/48-03 M12883/48-04 | RSE112061 RSE112063 RSL112105 RSL112101 | 3 Pole / 25 Amp | 19 |
| MS27743-09, -15, -21, -27 | M12883/48-05 M12883/48-06 M12883/48-07 M12883/48-08 | RSE112065 RSE112067 RSL112107 RSL112103 | 3 Pole / 25 Amp | 19 |
| Leach Corp. JA-D4E & J | M12883/41-03 M12883/41-08 M12883/41-13 M12883/41-18 | RSL116095 RSL116067 RSE116689 RSE116699 | 2 Pole / 10 Amp | 12-13 |
| Leach Corp. KA-D4E & J | M12883/40-04 M12883/40-10 M12883/40-16 M12883/40-22 | RSL116085 RSL116057 RSE116667 RSE116679 | 4 Pole / 10 Amp | 10-11 |

* Applies to all plug-in dash numbered relays of these documents

Relay Socket Cross Reference Chart

Relay to Relay Socket

| Military Relay Part Number | Military Socket Part Number | APCD Socket Part Number | Relay Type | Page |
|---|--|--|-------------------------------|-------|
| M6106/12-002 | M12883/54-03 | RSE116629 | 3 Pole / 25 Amp | 21 |
| M6106/13-002,-008,-011,-013,-015 | M12883/54-01 | RSE116627 | 3 Pole / 25 Amp | 21 |
| M6106/13-004 | M12883/54-02 | RSE116631 | 3 Pole / 25 Amp | 21 |
| M6106/19-004,-007,-012,-017,-022 | M12883/55-01, M12883/55-02 | RSE112035, RSE112036 | 1 Pole / 25 Amp | 22 |
| M6106/20-002 | M12883/55-03 | RSE112044 | 1 Pole / 25 Amp | 22 |
| M6106/38-002 | M12883/45-04 | RSE120165 | 2 Pole / 5 Amp | 15-16 |
| M6106/40-002 | M12883/46-02 | RSE116749 | 3 Pole / 5 Amp | 17 |
| M83536/1-006,-015,-024,-033 M83536/2-006,-015,-024,-035 | M12883/45-01 | RSE120159 | 2 Pole / 5 Amp | 15-16 |
| M83536/2-028, M83726/24, /25 | M12883/52-001 | RSE116175 | Track Mount 2 Pole / 5 Amp | 20 |
| M83536/5-006,-014, -022, -030 M83536/6-006, -015, -022, -032 | M12883/44-01 | RSE120151 | 4 Pole / 5 Amp | 14 |
| M83536/6-025 | M12883/52-002 | RSE116185 | Track Mount 4 Pole / 5 Amp | 20 |
| M83536/7-022 | M12883/44-02 | RSE120153 | 4 Pole / 5 Amp | 14 |
| M83536/9, -006, -015, -024, -035 M83536/10-006,-015,-024, -034,-038 | M12883/41-01 M12883/41-04 M12883/41-06 M12883/41-09 M12883/41-11 M12883/41-14 M12883/41-16 M12883/41-19 | RSL116091 RSL116097 RSL116063 RSL116069 RSE116685 RSE116691 RSE116695 RSE116701 | 2 Pole / 10 Amp | 12-13 |
| M83536/11-002, 004, 007 | M12883/41-02 M12883/41-07 M12883/41-12 M12883/41-17 | RSL116093 RSL116065 RSE116687 RSE116697 | 2 Pole / 10 Amp | 12-13 |
| M83536/13-002, 005, 008, 012 M83536/14-002 | M12883/41-05 M12883/41-10 M12883/41-15 M12883/41-20 | RSL116099 RSL116071 RSE116693 RSE116703 | 2 Pole / 10 Amp | 12-13 |

* Applies to all plug-in dash numbered relays of these documents

MIL-PRF-12883/40

Extended Height RSL 4 Pole/10 Amp

Relay Sockets



Mates with M83536, M6106, M27709, M83726 Relays

Operating Range

Temperature:

-65°C to 125°C

Insulation Resistance:

1000 Megaohms Min.

Dielectric Withstanding Voltage:

1500 VRMS at Sea Level

500 VRMS at 80,000 ft.

Vibration:

MIL-STD-202, Method 204

Test Condition G

Shock:

MIL-STD-202, Method 213

Test Condition C

Materials

Module Body:

Polyetherimide per ASTM-D5205

Grommet:

Silicone Rubber per A-A-59588

Hardware:

Stainless Steel or Steel w/

Cadmium Chromate Finish

Contact Retainers:

Stainless Steel

Socket Contacts:

Stainless Steel, Hard Gold Plated in

Accordance with SAE-AMS-2422

Socket Configurations



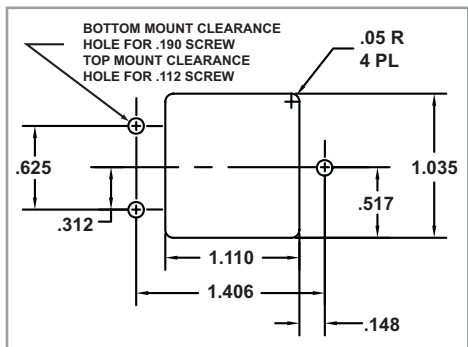
Extended Height Relay Sockets

| MIL P/N M12883 | APCD P/N | Mounting Stud | QTY | Size ¹ | Contact Config. P/N | Mating Relay |
|-------------------|-------------|------------------|-----|-------------------|------------------------|---|
| /40-01 | RSL116079 | Loose | 14 | 16/16 | /5-116 A | M83536/15-022, M83536/16-006,-014,-031,-034 M83726/1,2,3,4,28,29,30,31*, M27709-02 |
| /40-02 | RSL116081 | Loose | 14 | 16/16 | /5-116 B | M83536/17-002,-005 |
| /40-03 | RSL116083 | Loose | 14 | 16/16 | /5-116 C | |
| /40-04 | RSL116085 | Loose | 14 | 16/16 | /5-116 D | Leach Corp KA-D4E & J |
| /40-05 | RSL116087 | Loose | 14 | 16/20 | /5-117 A | M83536/15-022, M83536/16-006,-014,-031,-034 M83726/1,2,3,4,28,29,31,31, N27709-02 |
| /40-06 | RSL116089 | Loose | 16 | 16/16 | /5-116 E | M83536/18-002,005,008,012 M83536/19-002,008,012, M83536/20-002 |
| /40-07 | RSL116051 | Fixed | 14 | 16/16 | /5-116 A | M83536/15-022, M83536/16-006,-014,-031,-034 M83726/1,2,3,4,28,29,31,31, N27709-02 |
| /40-08 | RSL116053 | Fixed | 14 | 16/16 | /5-116 B | M83536/17-002,-005 |
| /40-09 | RSL116055 | Fixed | 14 | 16/16 | /5-116 C | |
| /40-10 | RSL116057 | Fixed | 14 | 16/16 | /5-116 D | Leach Corp KA-D4E & J |
| /40-11 | RSL116059 | Fixed | 14 | 16/20 | /5-117 A | M83536/15-022, M83536/16-006,-014,-031,-034 M83726/1,2,3,4,28,29,31,31, M27709-02 |
| /40-12 | RSL116061 | Fixed | 16 | 16/16 | /5-116 E | M83536/18-002,-005,-008,-012 M83536/19-002,-008,-012, M83536/20-002 |

Relay Socket Weight

| Relay Socket | Pounds | Grams |
|-----------------|--------|-------|
| Extended Height | .132 | 60 |

Recommended Mounting Panel Cutout



¹Mating End / Wire Barrel

*Applies to all plug-in type relays of these documents

Mounting instructions can be found on page 26

Relay Socket Dimensions

Side View



Top View



MIL-PRF-12883/40

Low Profile RSE 4 Pole/10 Amp

Operating Range

Temperature:

-65°C to 125°C

Insulation Resistance:

1000 Megaohms Min.

Dielectric Withstanding Voltage:

1500 VRMS at Sea Level

500 VRMS at 80,000 ft.

Vibration:

MIL-STD-202, Method 204

Test Condition G

Shock:

MIL-STD-202, Method 213

Test Condition C

Materials

Module Body:

Polyetherimide per ASTM-D5205

Grommet:

Silicone Rubber per A-A-59588

Hardware:

Stainless Steel or Steel w/

Cadmium Chromate Finish

Contact Retainers:

Stainless Steel

Socket Contacts:

Stainless Steel, Hard Gold Plated in

Accordance with SAE-AMS-2422



Mates with M83536, M6106, M27709, M83726 Relays

Low Profile Relay Sockets

| MIL P/N M12883 | APCD P/N | Mounting Stud | QTY | Size ¹ | Contact P/N | Config. | Mating Relay |
|-------------------|-------------|------------------|-----|-------------------|----------------|---------|---|
| /40-13 | RSE116661 | Loose | 14 | 16/16 | /92-533 | A | M83536/15-022, M83536/16-006,-014,-031,-034 M83726/1,2,3,4,28,29,30,31*, M27709-02 |
| /40-14 | RSE116663 | Loose | 14 | 16/16 | /92-533 | B | M83536/17-002, 005 |
| /40-15 | RSE116665 | Loose | 14 | 16/16 | /92-533 | C | |
| /40-16 | RSE116667 | Loose | 14 | 16/16 | /92-533 | D | Leach Corp KA-D4E & J |
| /40-17 | RSE116669 | Loose | 14 | 16/20 | /92-594 | A | M83536/15-022, M83536/16-006,-014,-031,-034 M83726/1,2,3,4,28,29,30,31*, M27709-02 |
| /40-18 | RSE116671 | Loose | 16 | 16/16 | /92-533 | E | M83836/18-002,-005,-012 M83536/19-002,-005,-008,-012, M83536/20-002 |
| /40-19 | RSE116673 | Fixed | 14 | 16/16 | /92-533 | A | M83536/15-022, M83536/16-006,-014,-031,-034 M83726/1,2,3,4,28,29,30,31*, M27709-02 |
| /40-20 | RSE116675 | Fixed | 14 | 16/16 | /92-533 | B | M83536/17-002, 005 |
| /40-21 | RSE116677 | Fixed | 14 | 16/16 | /92-533 | C | |
| /40-22 | RSE116679 | Fixed | 14 | 16/16 | /92-533 | D | Leach Corp KA-D4E & J |
| /40-23 | RSE116681 | Fixed | 14 | 16/20 | /92-534 | A | M83536/15-022, M83536/16-006,-014,-031,-034 M83726/1,2,3,4,28,29,30,31*, M27709-02 |
| /40-24 | RSE116683 | Fixed | 16 | 16/16 | /92-533 | E | M83836/18-002,-005,-012 M83536/19-002,-005,-008,-012, M83536/20-002 |

¹Mating End / Wire Barrel

*Applies to all plug-in type relays of these documents

Mounting instructions can be found on page 26

Socket Configurations



Relay Socket Weight

| Relay Socket | Pounds | Grams |
|--------------|--------|-------|
| Low Profile | .100 | 45 |

Recommended Mounting Panel Cutout



Relay Socket Dimensions

Side View



Top View



MIL-PRF-12883/41

Extended Height RSL 2 Pole/10 Amp

Relay Sockets



Mates with M83536, M6106 Relays

Operating Range

Temperature:
-65°C to 125°C

Insulation Resistance:
1000 Megaohms Min.

Dielectric Withstanding Voltage:
1500 VRMS at Sea Level
500 VRMS at 80,000 ft.

Vibration:
MIL-STD-202, Method 204
Test Condition G

Shock:
MIL-STD-202, Method 213
Test Condition C

Materials

Module Body:
Polyetherimide per ASTM-D5205

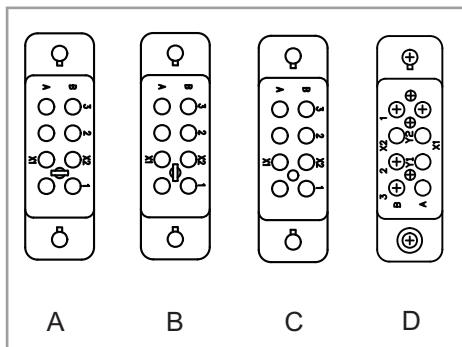
Grommet:
Silicone Rubber per A-A-59588

Hardware:
Stainless Steel or Steel w/
Cadmium Chromate Finish

Contact Retainers:
Stainless Steel

Socket Contacts:
Stainless Steel, Hard Gold Plated in
Accordance with SAE-AMS-2422

Socket Configurations



Extended Height Relay Sockets

| MIL P/N M12883 | APCD P/N | Mounting Stud | QTY | Size* | Contact P/N | Config. | Mating Relay |
|-------------------|-------------|------------------|-----|-------|----------------|---------|--|
| /41-01 | RSL116091 | Loose | 8 | 16/16 | /5-116 | C | M83536/9-006, 015, 024, 035 M83536/10-006, 015, 024, 034, 038 |
| /41-02 | RSL116093 | Loose | 8 | 16/16 | /5-116 | B | M83536/11-002, 004, 007 |
| /41-03 | RSL116095 | Loose | 8 | 16/16 | /5-116 | A | Leach Corp JA-D4E & J |
| /41-04 | RSL116097 | Loose | 8 | 16/20 | /5-117 | C | M83536/9-006, 015, 024, 035 M83536/10-006, 015, 024, 034, 038 |
| /41-06 | RSL116063 | Fixed | 8 | 16/16 | /5-116 | C | M83536/9-006, 015, 024, 035 M83536/10-006, 015, 024, 034, 038 |
| /41-07 | RSL116065 | Fixed | 8 | 16/16 | /5-116 | B | M83536/11-002, 004, 007 |
| /41-08 | RSL116067 | Fixed | 8 | 16/16 | /5-116 | A | Leach Corp JA-D4E & J |
| /41-09 | RSL116069 | Fixed | 8 | 16/20 | /5-117 | C | M83536/9-006, 015, 024, 035 M83536/10-006, 015, 024, 034, 038 |
| /41-05 | RSL116099 | Loose | 8 | 16/16 | /5-116 | D | M83536/13-002,-005,-008,-012 M83536/13-002,-005,-008,-012 |
| | | | 2 | 22/22 | /101-553 | | |
| /41-10 | RSL116071 | Fixed | 8 | 16/16 | /5-116 | D | M83536/13-002,-005,-008,-012 M83536/13-002,-005,-008,-012 |
| | | | 2 | 22/22 | /101-553 | | |

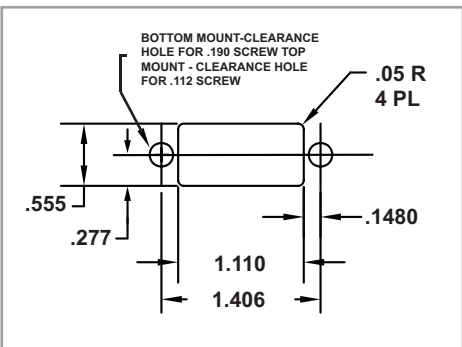
*Mating End / Wire Barrel

Mounting instructions can be found on page 25

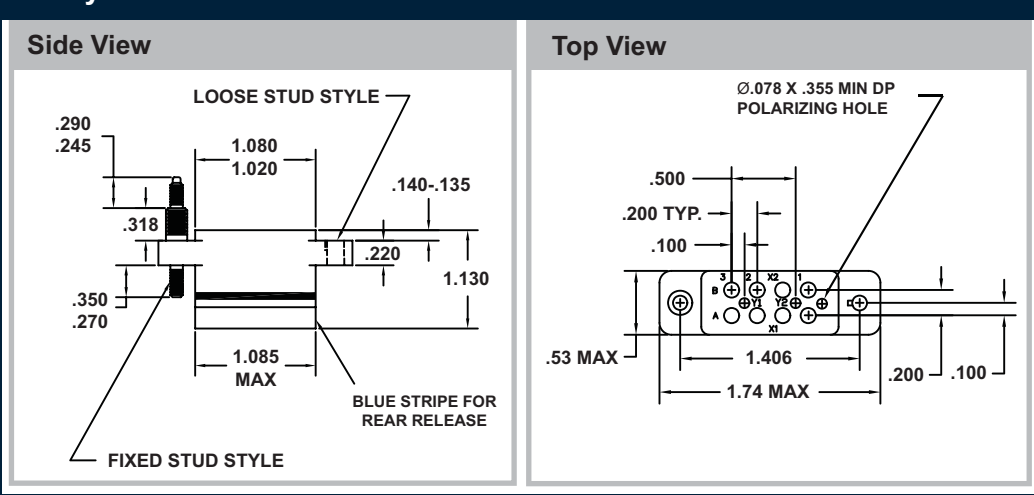
Relay Socket Weight

| Relay Socket | Pounds | Grams |
|-----------------|--------|-------|
| Extended Height | .073 | 33 |

Recommended Mounting Panel Cutout



Relay Socket Dimensions



MIL-PRF-12883/41

Low Profile RSE 2 Pole/10 Amp

Operating Range

Temperature:

-65°C to 125°C

Insulation Resistance:

1000 Megaohms Min.

Dielectric Withstanding Voltage:

1500 VRMS at Sea Level

500 VRMS at 80,000 ft.

Vibration:

MIL-STD-202, Method 204

Test Condition G

Shock:

MIL-STD-213, Method 213

Test Condition C

Materials

Module Body:

Polytherimide per ASTM-D5205

Grommet:

Silicone Rubber per A-A-59588

Hardware:

Stainless Steel or Steel w/

Cadmium Chromate Finish

Contact Retainers:

Stainless Steel

Socket Contacts:

Copper Alloy, Hard Gold Plated in

Accordance with SAE-AMS 2422



Mates with M83536, M6106 Relays

Low Profile Relay Sockets

| MIL P/N M12883 | APCD P/N | Mounting Stud | QTY | Size* | Contact P/N | Config. | Mating Relay |
|-------------------|-------------|------------------|-----|-------|----------------|---------|--|
| /40-11 | RSE116685 | Loose | 8 | 16/16 | /92-533 | C | M83536/9-006, 015, 024, 035 M83536/10-006, 015, 024, 034, 038 |
| /40-12 | RSE116687 | Loose | 8 | 16/16 | /92-533 | B | M83536/11-002, 004, 007 |
| /40-13 | RSE116691 | Loose | 8 | 16/16 | /92-533 | A | Leach Corp JA-D4E & J |
| /40-14 | RSE116693 | Loose | 8 | 16/20 | /92-534 | C | M83536/9-006, 015, 024, 035 M83536/10-006, 015, 024, 034, 038 |
| /40-16 | RSE116695 | Fixed | 8 | 16/16 | /92-533 | C | M83536/9-006, 015, 024, 035 M83536/10-006, 015, 024, 034, 038 |
| /40-17 | RSE116697 | Fixed | 8 | 16/16 | /92-533 | B | M83536/11-002, 004, 007 |
| /40-18 | RSE116699 | Fixed | 8 | 16/16 | /92-533 | A | Leach Corp JA-D4E & J |
| /40-19 | RSE116701 | Fixed | 8 | 16/20 | /92-534 | C | M83536/9-006, 015, 024, 035 M83536/10-006, 015, 024, 034, 038 |
| /41-15 | RSE116693 | Loose | 8 | 16/16 | /92-553 | D | M83536/13-002,-005,-008,-012 M83536/13-002,-005,-008,-012 |
| | | | 2 | 22/22 | /92-551 | | |
| /41-20 | RSE116703 | Fixed | 8 | 16/16 | /92-553 | D | M83536/13-002,-005,-008,-012 M83536/13-002,-005,-008,-012 |
| | | | 2 | 22/22 | /92-551 | | |

*Mating End / Wire Barrel

Mounting instructions can be found on page 26

Socket Configurations



Relay Socket Weight

| Relay Socket | Pounds | Grams |
|--------------|--------|-------|
| Low Profile | .055 | 25 |

Recommended Mounting Panel Cutout



Relay Socket Dimensions



Amphenol Pcd

MIL-PRF-12883/44

RSE 4 Pole/5 Amp

Relay Sockets



Mates with M6106, M83536 Relays

Operating Range

Temperature:

-65°C to 125°C

Insulation Resistance:

1000 Megaohms Min.

Dielectric Withstanding Voltage:

1000 VRMS at Sea Level

500 VRMS at 80,000 ft.

Vibration:

MIL-STD-202, Method 204

Test Condition G

Shock:

MIL-STD-202, Method 213

Test Condition C

Materials

Module Body:

Polyetherimide per ASTM-D5205

Grommet:

Silicone Rubber per A-A-59588

Hardware:

Stainless Steel or Steel w/

Cadmium Chromate Finish

Contact Retainers:

Stainless Steel

Socket Contacts:

Copper Alloy, Hard Gold Plated in

Accordance with SAE-AMS 2422

Socket Configurations



Low Profile Relay Sockets

| MIL P/N M12883 | APCD P/N | QTY | Size* | Contact P/N | Config. | Mating Relay |
|-------------------|-------------|-----|-------|----------------|---------|---|
| /44-01 | RSE120151 | 14 | 20/20 | /101-553 | A | M83536/5-006,-014,-022,-030 M83536/6,-006,-014,-022,-032 |
| /44-02 | RSE120153 | 16 | 20/20 | /101-553 | B | M83536/7-002 |
| /44-03 | RSE120155 | 16 | 20/20 | /101-553 | C | |
| /44-04 | RSE120157 | 16 | 20/20 | /101-553 | D | |

*Mating End / Wire Barrel

Mounting instructions can be found on page 26

Relay Socket Weight

| Relay Socket | Pounds | Grams |
|--------------|--------|-------|
| Low Profile | .055 | 25 |

Recommended Mounting Panel Cutout



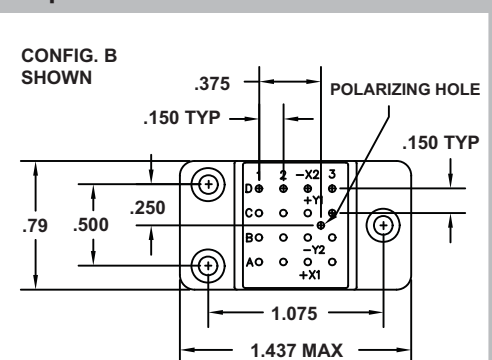
Relay Socket Dimensions

Side View



BLUE STRIPE FOR
REAR RELEASE

Top View



MIL-PRF-12883/45

RSE 2 Pole/5 Amp

Operating Range

Temperature:

-65°C to 125°C

Insulation Resistance:

1000 Megaohms Min.

Dielectric Withstanding Voltage:

1000 VRMS at Sea Level

500 VRMS at 80,000 ft.

Vibration:

MIL-STD-202, Method 204

Test Condition G

Shock:

MIL-STD-202, Method 213

Test Condition C

Materials

Socket Body:

Polyetherimide per ASTM -D5205

Grommet:

Silicone Rubber per A-A-59588

Hardware:

Stainless Steel or Steel w/

Cadmium Chromate Finish

Contact Retainers:

Stainless Steel

Socket Contacts:

Copper Alloy, Hard Gold Plated in

Accordance with SAE-AMS 2422



Mates with M6106, M83536 Relays

Low Profile Relay Sockets

| MIL P/N M12883 | APCD P/N | QTY | Size ¹ | Contact P/N | Config. | Mating Relay |
|-------------------|-------------|-----|-------------------|----------------|---------|--|
| /45-01 | RSE120159 | 8 | 20/20 | /101-553 | A | M83536/1-006, -015, -024, -033 M83536/2-006, -015, -024, -035 |
| /45-02 | RSE120161 | 8 | 20/20 | /101-553 | B | |
| /45-03 | RSE120163 | 8 | 20/20 | /101-553 | C | |

*Mating End / Wire Barrel

Mounting instructions can be found on page 26

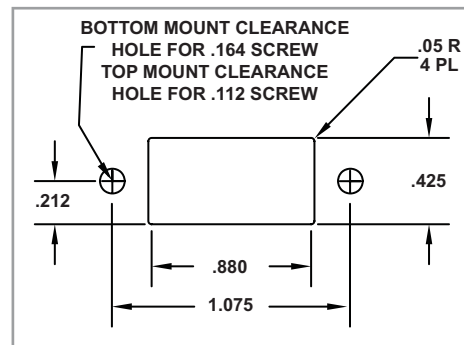
Socket Configurations



Relay Socket Weight

| Relay Socket | Pounds | Grams |
|--------------|--------|-------|
| Low Profile | .033 | 15 |

Recommended Mounting Panel Cutout



Relay Socket Dimensions

Side View



Top View



MIL-PRF-12883/45

RSE 2 Pole/5 Amp

Relay Sockets



Mates with M6106/38 Relays

Operating Range

Temperature:

-65°C to 125°C

Insulation Resistance:

1000 Megaohms Min.

Dielectric Withstanding Voltage:

1000 VRMS at Sea Level

500 VRMS at 80,000 ft.

Vibration:

MIL-STD-202, Method 204

Test Condition G

Shock:

MIL-STD-202, Method 213

Test Condition C

Materials

Socket Body:

Polyetherimide per ASTM-D5205

Grommet:

Silicone Rubber per A-A-59588

Hardware:

Stainless Steel or Steel w/

Cadmium Chromate Finish

Contact Retainers:

Stainless Steel

Socket Contacts:

Copper Alloy, Hard Gold Plated in

Accordance with with SAE-AMS 2422

Socket Configurations



Low Profile Relay Sockets

| MIL P/N M12883 | APCD P/N | QTY | Size ¹ | Contact P/N | Config. | Mating Relay |
|-------------------|-------------|-----|-------------------|----------------|---------|--------------|
| /45-04 | RSE120165 | 6 | 20/20 | /101-553 | A | M6106/38-002 |
| | | 4 | 22/22 | /101-552 | | |
| /45-05 | RSE120167 | 6 | 20/20 | /101-553 | B | |
| | | 4 | 22/22 | /101-552 | | |
| /45-06 | RSE120169 | 6 | 20/20 | /101-553 | C | |
| | | 4 | 22/22 | /101-552 | | |

¹Mating End / Wire Barrel

Mounting instructions can be found on page 26

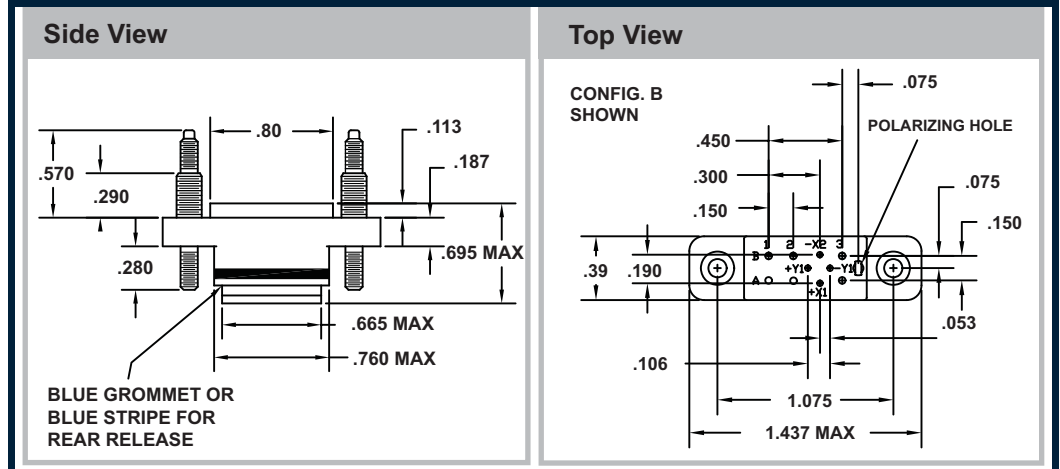
Relay Socket Weight

| Relay Socket | Pounds | Grams |
|--------------|--------|-------|
| Low Profile | .033 | 15 |

Recommended Mounting Panel Cutout



Relay Socket Dimensions



MIL-PRF-12883/46

RSE 3 Pole/10 Amp

Operating Range

Temperature:

-65°C to 125°C

Insulation Resistance:

1000 Megaohms Min.

Dielectric Withstanding Voltage:

1250 VRMS at Sea Level

500 VRMS at 80,000 ft.

Vibration:

MIL-STD-202, Method 204

Test Condition G

Shock:

MIL-STD-202, Method 213

Test Condition C

Materials

Socket Body:

Polyetherimide per ASTM -D5205

Grommet:

Silicone Rubber per A-A-59588

Hardware:

Stainless Steel or Steel w/

Cadmium Chromate Finish

Contact Retainers:

Stainless Steel

Socket Contacts:

Copper Alloy, Hard Gold Plated in

Accordance with SAE-AMS 2422

Relay Sockets



Mates with M83536, M6106 Relays

Low Profile Relay Sockets

| MIL P/N M12883 | APCD P/N | QTY | Size ¹ | Contact P/N | Config. | Mating Relay |
|-------------------|-------------|-----|-------------------|----------------|---------|--|
| /46-01 | RSE116747 | 9 | 16/16 | /101-554 | A | M83536/21-006,-014,-022,-030 M83536/22-006,-014,-022,-030 |
| | | 2 | 20/20 | /101-553 | | |
| /46-02 | RSE116749 | 9 | 16/16 | /101-554 | B | M6106/40-002 |
| | | 2 | 20/20 | /101-553 | | |
| /46-03 | RSE116751 | 9 | 16/16 | /101-554 | C | |
| | | 2 | 20/20 | /101-553 | | |
| /46-04 | RSE116753 | 9 | 16/16 | /101-554 | D | |
| | | 2 | 20/20 | /101-553 | | |

¹Mating End / Wire Barrel

Mounting instructions can be found on page 26

Socket Configurations



Relay Socket Weight

| Relay Socket | Pounds | Grams |
|--------------|--------|-------|
| Low Profile | .055 | 25 |

Recommended Mounting Panel Cutout

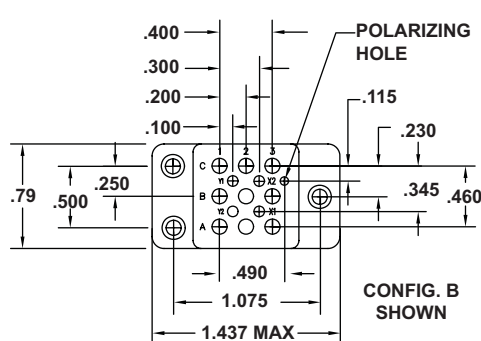


Relay Socket Dimensions

Side View



Top View



MIL-PRF-12883/47

RSE/RSL 6 Pole/10 Amp

Relay Sockets



Mates with M83536, M83536 Relays

Operating Range

Temperature:

-65°C to 125°C

Insulation Resistance:

1000 Megaohms Min.

Dielectric Withstanding Voltage:

1500 VRMS at Sea Level

500 VRMS at 80,000 ft.

Vibration:

MIL-STD-202, Method 204

Test Condition G

Shock:

MIL-STD-202, Method 213

Test Condition C

Materials

Socket Body:

Polyetherimide per ASTM-D5205

Grommet:

Silicone Rubber per A-A-59588

Hardware:

Stainless Steel or Steel w/

Cadmium Chromate Finish

Contact Retainers:

Stainless Steel

Socket Contacts:

Copper Alloy, Hard Gold Plated in

Accordance with SAE-AMS 2422

Socket Configurations



A

B

Low Profile Relay Sockets

| MIL P/N M12883 | APCD P/N | Mounting Stud | QTY | Size ¹ | Contact P/N | Config. | Mating Relay |
|-------------------|-------------|------------------|-----|-------------------|----------------|---------|------------------------------|
| /47-01 | RSE116755 | Loose | 20 | 16/16 | /92-533 | A | M83536/25-002, M83536/26-002 |
| /47-02 | RSE116757 | Loose | 20 | 16/16 | /92-533 | B | M83536/27-002 |
| /47-04 | RSE116761 | Fixed | 20 | 16/16 | /92-533 | A | M83536/25-002, M83536/26-002 |
| /47-05 | RSE116763 | Fixed | 20 | 16/16 | /92-533 | B | M83536/27-002 |

Extended Height Relay Sockets

| MIL P/N M12883 | APCD P/N | Mounting Stud | QTY | Size ¹ | Contact P/N | Config. | Mating Relay |
|-------------------|-------------|------------------|-----|-------------------|----------------|---------|------------------------------|
| /47-07 | RSL116101 | Loose | 20 | 16/16 | /5-116 | A | M83536/25-002, M83536/26-002 |
| /47-08 | RSL116103 | Loose | 20 | 16/16 | /5-116 | B | M83536/27-002 |
| /47-10 | RSL116073 | Fixed | 20 | 16/16 | /5-116 | A | M83536/25-002, M83536/26-002 |
| /47-11 | RSL116075 | Fixed | 20 | 16/16 | /5-116 | B | M83536/27-002 |

¹Mating End / Wire Barrel

Mounting instructions can be found on page 26

Relay Socket Weight

| Relay Socket | Pounds | Grams |
|-----------------|--------|-------|
| Extended Height | .176 | 80 |
| Low Profile | .144 | 65 |

Recommended Mounting Panel Cutout



Relay Socket Dimensions

Side View



| Relay Socket | A | B | C Max | D |
|-----------------|------|-----------|-------|------|
| Extended Height | 1.03 | .140-.135 | 1.25 | .318 |
| Low Profile | 1.08 | .093 | .890 | .290 |

Top View



MIL-PRF-12883/48

RSE/RSL 3 Pole/25 Amp

Operating Range

Temperature:

-65°C to 125°C

Insulation Resistance:

1000 Megaohms Min.

Dielectric Withstanding Voltage:

1500 VRMS at Sea Level

500 VRMS at 80,000 ft.

Vibration:

MIL-STD-202, Method 204

Test Condition G

Shock:

MIL-STD-202, Method 213

Test Condition C

Materials

Socket Body:

Polyetherimide per ASTM-D5205

Grommet:

Silicone Rubber per A-A-59588

Hardware:

Stainless Steel or Steel w/

Cadmium Chromate Finish

Contact Retainers:

Stainless Steel

Socket Contacts:

Copper Alloy, Hard Gold Plated in

Accordance with SAE-AMS 2422



Mates with MS27743 Relays

Low Profile Relay Sockets

| MIL P/N M12883 | APCD P/N | Mounting Stud | QTY | Size ¹ | Contact P/N | Config. | Mating Relay |
|-------------------|-------------|------------------|-----|-------------------|----------------|---------|---------------------------|
| /48-01 | RSE112061 | Loose | 2 | 16/16 | /92-533 | A | MS27743-06, -12, -18, -24 |
| | | | 9 | 12/12 | /92-535 | | |
| /48-02 | RSE112063 | Fixed | 2 | 16/16 | /92-533 | A | MS27743-06, -12, -18, -24 |
| | | | 9 | 12/12 | /92-535 | | |
| /48-05 | RSE112065 | Loose | 2 | 16/16 | /92-533 | B | MS27743-09, -15, -21, -27 |
| | | | 9 | 12/12 | /92-535 | | |
| /48-06 | RSE112067 | Fixed | 2 | 16/16 | /92-533 | B | MS27743-09, -15, -21, -27 |
| | | | 9 | 12/12 | /92-535 | | |

Extended Height Relay Sockets

| MIL P/N M12883 | APCD P/N | Mounting Stud | QTY | Size ¹ | Contact P/N | Config. | Mating Relay |
|-------------------|-------------|------------------|-----|-------------------|----------------|---------|---------------------------|
| /48-03 | RSL112105 | Loose | 2 | 16/16 | /5-116 | A | MS27743-06, -12, -18, -24 |
| | | | 9 | 12/12 | /5-118 | | |
| /48-04 | RSL112101 | Fixed | 2 | 16/16 | /5-116 | A | MS27743-06, -12, -18, -24 |
| | | | 9 | 12/12 | /5-118 | | |
| /48-07 | RSL112107 | Loose | 2 | 16/16 | /5-116 | B | MS27743-09, -15, -21, -27 |
| | | | 9 | 12/12 | /5-118 | | |
| /48-08 | RSL112103 | Fixed | 2 | 16/16 | /5-116 | B | MS27743-09, -15, -21, -27 |
| | | | 9 | 12/12 | /5-118 | | |

¹Mating End / Wire Barrel

Mounting instructions can be found on page 25

Relay Socket Dimensions

Side View



| Relay Socket | A | B | C Max | D |
|-----------------|------|-----------|-------|------|
| Extended Height | 1.03 | .140-.135 | 1.25 | .318 |
| Low Profile | 1.00 | .093 | .890 | .290 |

Top View



Relay Sockets

Socket Configurations



Relay Socket Weight

| Relay Socket | Pounds | Grams |
|-----------------|--------|-------|
| Extended Height | .129 | 55 |
| Low Profile | .109 | 49 |

Recommended Mounting Panel Cutout



MIL-PRF-12883/52, MIL-PRF-12883/53

RSE Track Mount 2, 3, & 4 Pole & Mounting Track

Relay Sockets



Mates with MS83726, M83536 & M6106 Relays

Operating Range

Temperature:

-65°C to 125°C

Insulation Resistance:

1000 Megaohms Min.

Dielectric Withstanding Voltage:

1500 VRMS at Sea Level

700 VRMS at 80,000 ft.

Vibration:

MIL-STD-202, Method 204

Test Condition G

Shock:

MIL-STD-202, Method 213

Test Condition C

Materials

Socket Body:

Polyetherimide per ASTM-D5205

Grommet:

Silicone Rubber per A-A-59588

Contact Retainers:

Beryllium Copper

Socket Contacts:

Copper Alloy, Hard Gold Plated in

Accordance with MIL-G-45204

Socket Dimensions



Relay Socket Weight

| Relay Socket | Pounds | Grams |
|--------------|--------|-------|
| RSE116175 | .016 | 7 |
| RSE116185 | .031 | 14 |
| RSE116195 | .031 | 14 |

Low Profile Relay Sockets

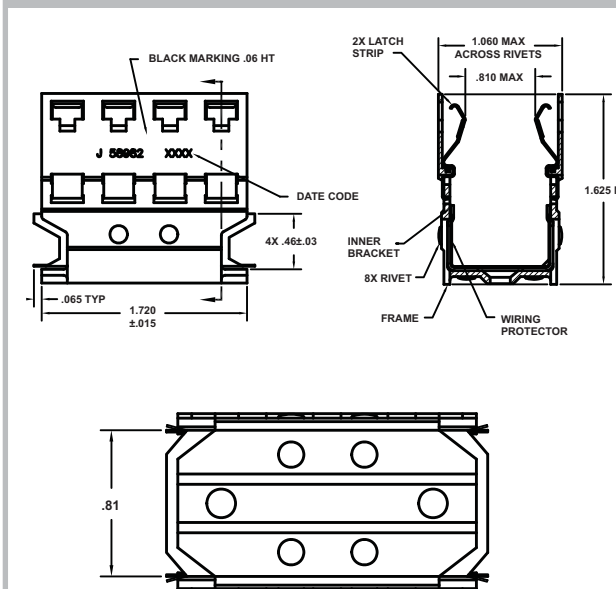
| MIL P/N M12883* | APCD P/N* | QTY | Size ¹ | Contact P/N | Config. | Mating Relay |
|--------------------|--------------|-----|-------------------|----------------|---------|------------------------------|
| /52-001 | RSE116175 | 8 | 20/20 | /101-553 | A | M83536/2-028, M83726/27, /25 |
| /52-002 | RSE116185 | 14 | 20/20 | /101-533 | B | M8536/6-025 |
| /52-003 | RSE116195 | 9 | 16/16 | /101-554 | C | M83536/22-025 |
| | | 2 | 20/20 | /101-553 | | |

*These Relay Sockets are used in the track mount system with track M12883/53-001, Amphenol Pcd P/N RST145005

¹Mating End / Wire Barrel

M12883/53-001 Mounting Track Dimensions

Track Dimensions



Track Materials

Outer Track:

Aluminum Alloy per QQ-A-225.

Chemical Coating per

MIL-C-5541, Class 3

Inner Brackets and Rivets:

Stainless Steel per QQ-S-766, Passivated

Latch:

Beryllium copper #172 per QQ-C-533

Bright Finish

Wiring Protector:

Aramid Paper per MIL-I-24202

Track Operating Range:

-65°C to 125°C

Track Weight

| Part Number | Pounds | Grams |
|-------------|--------|-------|
| RST145005 | .053 | 24 |



Use tool M6106/32-001 to remove M1288/52 sockets.

Use tool M6106/31-001 to remove relays from this mounting bracket.

MIL-PRF-12883/54

RSE 3 Pole/25 Amp

Operating Range

Temperature:

-65°C to 125°C

Insulation Resistance:

1000 Megaohms Min.

Dielectric Withstanding Voltage:

1500 VRMS at Sea Level

500 VRMS at 80,000 ft.

Vibration:

MIL-STD-202, Method 204

Test Condition G

Shock:

MIL-STD-202, Method 213

Test Condition C

Materials

Socket Body:

Polyetherimide per ASTM-D5205

Grommet:

Silicone Rubber per A-A-59588

Hardware:

Stainless Steel or Steel w/

Cadmium Chromate Finish

Contact Retainers:

Stainless Steel

Socket Contacts:

Copper Alloy, Hard Gold Plated in

Accordance with SAE-AMS 2422



Mates with M6106/12, /13 & MS27742 Relays

Low Profile Relay Sockets

| MIL P/N M12883 | APCD P/N | Mounting Stud | QTY | Size* | Contact P/N | Config. | Mating Relay |
|-------------------|-------------|------------------|-----|-------|----------------|---------|----------------------------------|
| /54-01 | RSE116627 | Fixed | 5 | 16/16 | /92-533 | A | M6106/13-002,-008,-011,-013,-015 |
| | | | 6 | 12/12 | /92-535 | | |
| /54-02 | RSE116631 | Fixed | 5 | 16/16 | /92-533 | B | M6106/13-004 |
| | | | 6 | 12/12 | /92-535 | | |
| /54-03 | RSE116629 | Fixed | 2 | 20/20 | /92-532 | C | M6106/12-002 |
| | | | 5 | 16/16 | /92-533 | | |
| /54-04 | RSE116635 | Fixed | 2 | 20/20 | /92-532 | D | MS27742-2 |
| | | | 2 | 16/16 | /92-535 | | |
| | | | 9 | 12/12 | /92-535 | | |

Mounting instructions can be found on page 26

Socket Configurations



Relay Socket Weight

| Relay Socket | Pounds | Grams |
|--------------|--------|-------|
| RSE116627 | .132 | 60 |
| RSE116631 | .132 | 60 |
| RSE116629 | .154 | 70 |
| RSE116635 | .154 | 70 |

Recommended Mounting Panel Cutout



Relay Socket Dimensions

Side View



Top View



Amphenol Pcd

MIL-PRF-12883/55

RSE 1 Pole/25 Amp

Relay Sockets



Mates with M6106/19, /20 Relays

Operating Range

Temperature:

-65°C to 125°C

Insulation Resistance:

1000 Megaohms Min.

Dielectric Withstanding Voltage:

1500 VRMS at Sea Level

500 VRMS at 80,000 ft.

Vibration:

MIL-STD-202, Method 204

Test Condition G

Shock:

MIL-STD-202, Method 213

Test Condition C

Materials

Socket Body:

Polyetherimide per ASTM-D5205

Grommet:

Silicone Rubber per A-A-59588

Hardware:

Stainless Steel or Steel w/

Cadmium Chromate Finish

Contact Retainers:

Stainless Steel

Socket Contacts:

Copper Alloy, Hard Gold Plated in

Accordance with SAE-AMS 2422

Socket Configurations



Low Profile Relay Sockets

| MIL P/N M12883 | APCD P/N | Mounting Stud | QTY | Size ¹ | Contact P/N | Config. | Mating Relay |
|-------------------|-------------|------------------|-----|-------------------|----------------|---------|---|
| /55-01 | RSE112035 | Fixed | 2 | 16/16 | /92-533 | A | M6106/19-004, -007, -012, -017, -022 |
| | | | 3 | 12/12 | /92-535 | | |
| /55-02 | RSE112036 | Fixed | 2 | 16/16 | /92-533 | A | M6106/19-004, -007, -012, -017, -022 |
| | | | 3 | 12/12 | /92-535 | | |
| /55-03 | RSE112044 | Fixed | 2 | 22/22 | /92-531 | B | M6106/20-002 |
| | | | 2 | 16/16 | /92-533 | | |
| | | | 3 | 12/12 | /92-535 | | |

¹Mating End / Wire Barrel

Mounting instructions can be found on page 26

Relay Socket Weight

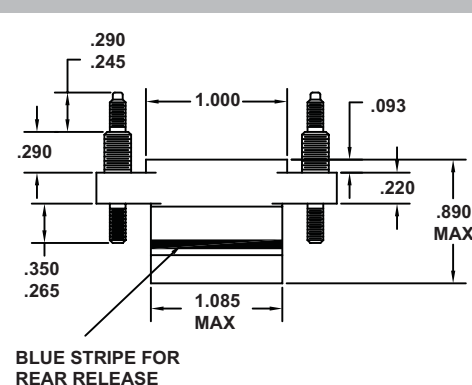
| Relay Socket | Pounds | Grams |
|--------------|--------|-------|
| Low Profile | .073 | 33 |

Recommended Mounting Panel Cutout



Relay Socket Dimensions

Side View



Top View



Microminiature Relay Sockets

RSE 2 & 3 Pole, 2 Amp

Operating Range

Temperature:

-65°C to 125°C

Insulation Resistance:

1000 Megaohms Min.

Dielectric Withstanding Voltage:

2500 VRMS at Sea Level

700 VRMS at 80,000 ft.

Vibration:

MIL-STD-202, Method 204

Test Condition G

Shock:

MIL-STD-202, Method 213

Test Condition C

Materials

Module Body:

Polyetherimide per ASTM-D5205

Grommet:

Silicone Rubber per A-A-59588

Hardware:

Stainless Steel or Steel w/

Cadmium Chromate Finish

Contact Retainers:

Stainless Steel

Socket Contacts:

Copper Alloy, Hard Gold Plated in

Accordance with SAE-AMS 2422

Relay Sockets



Mates with M39016 & M5757 Relays

Relay Sockets for 2 Pole/ 2 Amp Microminiature Relays

| APCD P/N | QTY | Size | Contact P/N | Config. | Mating Relay |
|-----------|-----|-------|-------------|---------|-----------------------------------|
| RSE120020 | 8 | 22/20 | CNS109900 | A | MIL-R-5757/10-022,-044 |
| RSE120074 | 8 | 22/20 | CNS109900 | B | MIL-R-39016/55-001,-013,-025,-037 |

Relay Sockets for 3 Pole/ 2 Amp Microminiature Relays

| APCD P/N | QTY | Size | Contact P/N | Config. | Mating Relay |
|-----------|-----|-------|-------------|---------|------------------------------|
| RSE120070 | 14 | 22/20 | CNS109900 | C | MIL-R-39016/39-002,-008,-014 |

Mounting instructions can be found on page 26

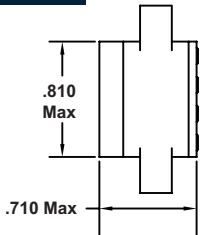
Product Description

Microminiature Relay Sockets are designed to mate with M39016 & M5757 Microminiature Relays. Amphenol Pcd supplies three separate relay sockets for customers using Microminiature Relays.

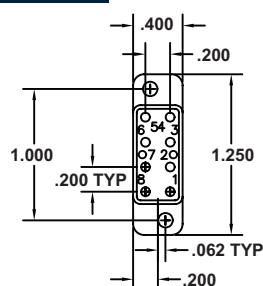
Relay Socket Dimensions

RSE120020

Side View

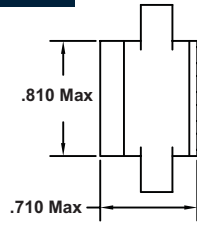


Top View

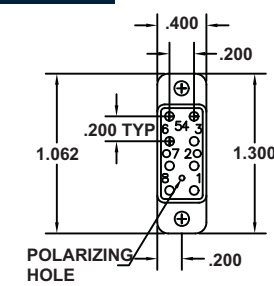


RSE120074

Side View

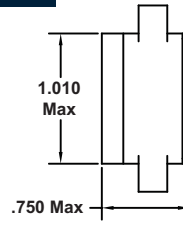


Top View

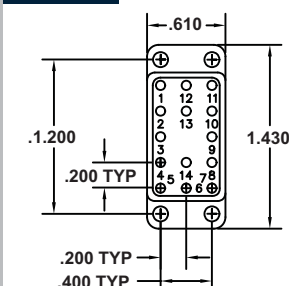


RSN120070

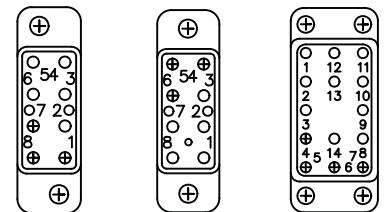
Side View



Top View



Socket Configurations



A

B

C

Relay Socket Weight

| Relay Socket | Pounds | Grams |
|--------------|--------|-------|
| RSE120020 | .024 | 11 |
| RSE120074 | .024 | 11 |
| RSN120070 | .044 | 20 |

Amphenol Pcd

Board Mount MIL-PRF-12883

RSN 2,4 Pole/10 Amp, 3 Pole/25 Amp

Relay Sockets



Mates with MIL-R-6106 & MS27743 Relays

Operating Range

Temperature:

-65°C to 125°C

Insulation Resistance:

1000 Megohms Min.

Dielectric Withstanding Voltage:

1500 VRMS at Sea Level

500 VRMS at 80,000 ft.

Vibration:

MIL-STD-202, Method 204

Test Condition G

Shock:

MIL-STD-202, Method 213

Test Condition C

Materials

Module Body:

Polyetherimide per ASTM-D5205

Hardware:

Stainless Steel or Steel w/

Cadmium Chromate Finish

Contact Retainers:

Stainless Steel

Socket Contacts:

Copper Alloy, Hard Gold Plated in

Accordance with SAE-AMS 2422

Product Description

Product Line of pluggable, PC board mount relay sockets allows separable mounting of relays direct to boards in airborne or ground applications. Polyetherimide body and scalloped mounting flange reduce weight and improve strength. Mounting hardware supplied with connector secures firmly to board and eliminates stress on solder contacts. Gold-plated contacts and solder-dipped contact tails are available. Meets all applicable specifications.

Board Mount Relay Sockets

| APCD P/N | QTY | Size ¹ | Contact P/N | Config. | Mating Relay |
|-----------|-----|-------------------|-------------|---------|---------------------|
| RSN116140 | 14 | 16/16 | /92-533 | A | MIL-R-6106, MS27400 |
| RSN116130 | 8 | 16/16 | /92-533 | B | MIL-R-6106, MS27401 |
| RSN112010 | 9 | 12/12 | /92-535 | C | MIL-R-6106, MS27743 |
| | 2 | 16/16 | /92-533 | | |

Mounting instructions can be found on page 26

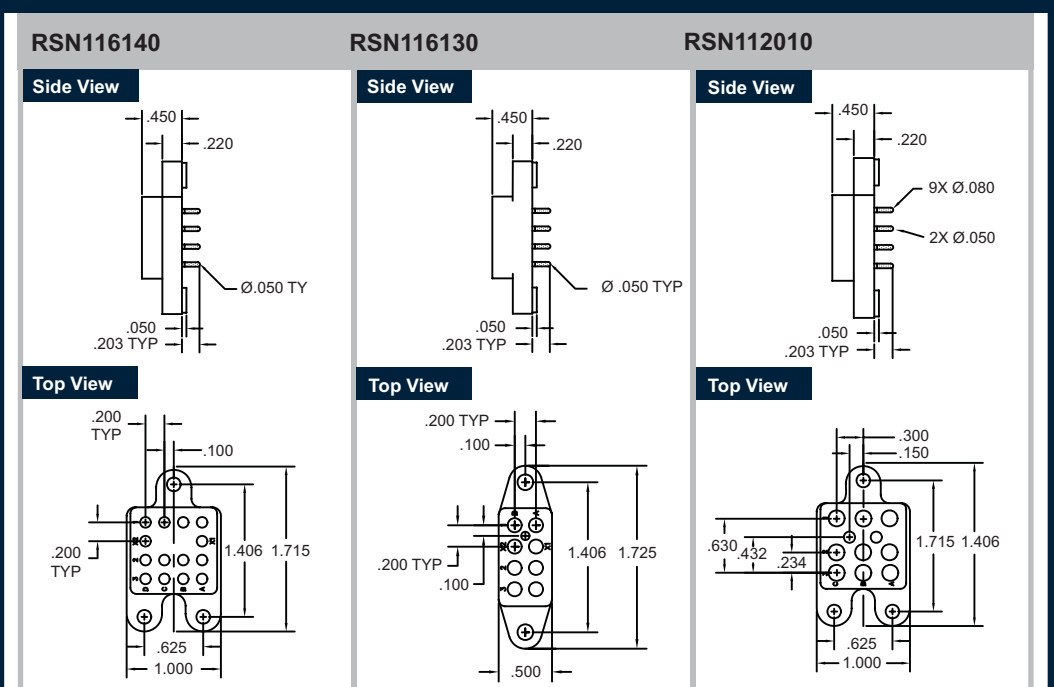
Socket Configurations



Relay Socket Weight

| Relay Socket | Pounds | Grams |
|--------------|--------|-------|
| RSN116140 | .055 | 25 |
| RSN116130 | .033 | 15 |
| RSN112010 | .057 | 26 |

Relay Socket Dimensions



Non-Environmental Relay Sockets

Solder Termination

6 Pole/5 Amp, 4 Pole/10 Amp, 2 & 4 Pole/5 Amp, 2 Pole /10Amp

Operating Range

Temperature:

-65°C to 125°C

Insulation Resistance:

1000 Megaohms Min.

Dielectric Withstanding Voltage:

1500 VRMS at Sea Level

500 VRMS at 80,000 ft.

Vibration:

MIL-STD-202, Method 204

Test Condition G

Shock:

MIL-STD-202, Method 213

Test Condition C

Materials

Socket Body:

Polyetherimide per ASTM-D5205

Hardware:

Stainless Steel or Steel w/

Cadmium Chromate Finish

Contact Retainers:

Stainless Steel

Socket Contacts:

Copper Alloy, Hard Gold Plated in

Accordance with SAE-AMS 2422



Mates with M25027 & Series 9226, 9224, 9225, 9220, 9229, 9927 Leach Corp. Relays

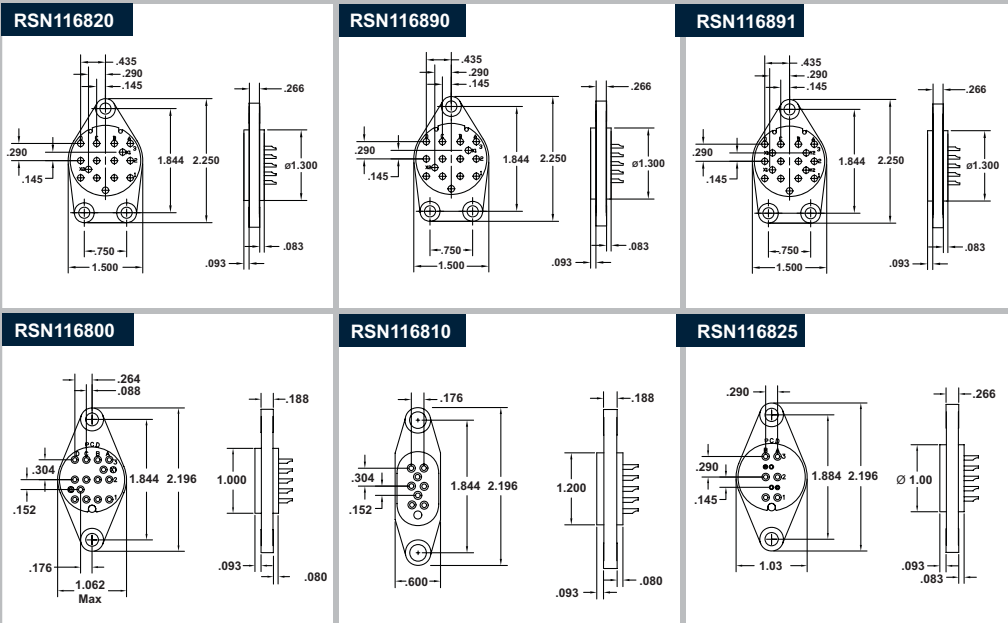
Solder Termination Relay Sockets

| APCD P/N | Ref MIL STD Socket | MIL STD Relay | Leach Corp Relay |
|-----------|--------------------|-------------------------|------------------|
| RSN116820 | MS25330 | MS25329 (6 Pole/5 Amp) | 9226 Series |
| RSN116890 | MS25328 | MS25327 (4 Pole/10 Amp) | 9224 Series |
| RSN116891 | MS25462 | MS25461 (4 Pole/10 Amp) | 9225 Series |
| RSN116800 | MS25326 | MS25325 (4 Pole/5 Amp) | 9220 Series |
| RSN116810 | MS25322 | MS25321 (2 Pole/10 Amp) | 9229 Series |
| RSN116825 | MS25324 | MS25323 (2 Pole/10 Amp) | 9227 Series |

Mounting instructions can be found on page 26

Relay Socket Dimensions

Solder Termination



Product Description

Solder Termination Relay Sockets with Polyetherimide body and scalloped mounting flange to reduce weight and improve strength. Mounting hardware supplied with product.

Socket Configurations



Relay Socket Weight

| Relay Socket | Pounds | Grams |
|--------------|--------|-------|
| RSE120020 | .024 | 11 |
| RSE120074 | .024 | 11 |
| RSN120070 | .044 | 20 |

Amphenol Pcd

Relay Socket Mounting Instructions

Top Mount & Bottom Mount

Mounting Instructions

MIL-PRF-12883/40, MIL-PRF-12883/41
 MIL-PRF-12883/47, MIL-PRF-12883/48
 MIL-PRF-12883/54, MIL-PRF-12883/55

TOP MOUNT



BOTTOM MOUNT



Mounting Instructions

MIL-PRF-12883/44, MIL-PRF-12883/45
 MIL-PRF-12883/46

TOP MOUNT



BOTTOM MOUNT



Mounting Instructions

Mircominature Relay Sockets

TOP MOUNT



BOTTOM MOUNT



Mounting Instructions

Non-Environmental Solder Termination Relay Sockets

TOP MOUNT



BOTTOM MOUNT



Компания «Океан Электроники» предлагает заключение долгосрочных отношений при поставках импортных электронных компонентов на взаимовыгодных условиях!

Наши преимущества:

- Поставка оригинальных импортных электронных компонентов напрямую с производств Америки, Европы и Азии, а так же с крупнейших складов мира;
- Широкая линейка поставок активных и пассивных импортных электронных компонентов (более 30 млн. наименований);
- Поставка сложных, дефицитных, либо снятых с производства позиций;
- Оперативные сроки поставки под заказ (от 5 рабочих дней);
- Экспресс доставка в любую точку России;
- Помощь Конструкторского Отдела и консультации квалифицированных инженеров;
- Техническая поддержка проекта, помощь в подборе аналогов, поставка прототипов;
- Поставка электронных компонентов под контролем ВП;
- Система менеджмента качества сертифицирована по Международному стандарту ISO 9001;
- При необходимости вся продукция военного и аэрокосмического назначения проходит испытания и сертификацию в лаборатории (по согласованию с заказчиком);
- Поставка специализированных компонентов военного и аэрокосмического уровня качества (Xilinx, Altera, Analog Devices, Intersil, Interpoint, Microsemi, Actel, Aeroflex, Peregrine, VPT, Syfer, Eurofarad, Texas Instruments, MS Kennedy, Miteq, Cobham, E2V, MA-COM, Hittite, Mini-Circuits, General Dynamics и др.);

Компания «Океан Электроники» является официальным дистрибьютором и эксклюзивным представителем в России одного из крупнейших производителей разъемов военного и аэрокосмического назначения «JONHON», а так же официальным дистрибьютором и эксклюзивным представителем в России производителя высокотехнологичных и надежных решений для передачи СВЧ сигналов «FORSTAR».



JONHON

«JONHON» (основан в 1970 г.)

Разъемы специального, военного и аэрокосмического назначения:

(Применяются в военной, авиационной, аэрокосмической, морской, железнодорожной, горно- и нефтедобывающей отраслях промышленности)

«FORSTAR» (основан в 1998 г.)

ВЧ соединители, коаксиальные кабели, кабельные сборки и микроволновые компоненты:

(Применяются в телекоммуникациях гражданского и специального назначения, в средствах связи, РЛС, а так же военной, авиационной и аэрокосмической отраслях промышленности).



Телефон: 8 (812) 309-75-97 (многоканальный)

Факс: 8 (812) 320-03-32

Электронная почта: ocean@oceanchips.ru

Web: <http://oceanchips.ru/>

Адрес: 198099, г. Санкт-Петербург, ул. Калинина, д. 2, корп. 4, лит. А