

# TransFeed Automotive Series

## AVX Multilayer Ceramic Transient Voltage Suppressors TVS Protection and EMI Attenuation in a Single Chip

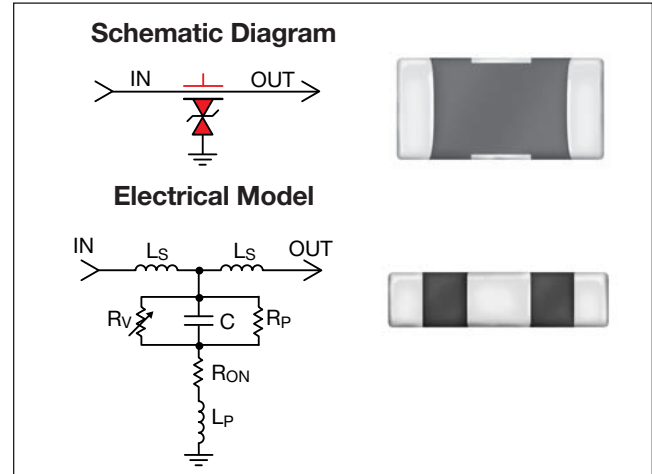


### GENERAL DESCRIPTION

AVX has combined the best electrical characteristics of its TransGuard® Transient Voltage Suppressors (TVS) and its Feedthru Capacitors into a single chip for state-of-the-art overvoltage circuit protection and EMI reduction over a broad range of frequencies. This unique combination of multilayer ceramic construction in a feedthru configuration gives the circuit designer a single 0805 chip that responds to transient events faster than any TVS device on the market today, and provides significant EMI attenuation when in the off-state.

Automotive TransFeeds are designed for automotive applications and are AEC-Q 200 qualified.

The reduction in parallel inductance, typical of the feedthru chip construction when compared to the construction of standard TVS or ceramic capacitor chips, gives the TransFeed product two very important electrical advantages: (1) faster “turn-on” time. Calculated response times of <200 pSec are not unusual with this device, and measured response times range from 200 – 250 pSec. The TransFeed “turn-on” characteristic is less than half that of an equivalent TransGuard® part — and TransGuards® clamp transient voltages faster than any other bipolar TVS solution such as diodes; (2) the second electrical advantage of lower parallel inductance, coupled with optimal series



inductance, is the enhanced attenuation characteristics of the TransFeed product. Not only is there significantly greater attenuation at a higher self-resonance frequency, but the roll-off characteristic becomes much flatter, resulting in EMI filtering over a much broader frequency spectrum. Typical applications include filtering/protection on Microcontroller I/O Lines, Interface I/O Lines, Power Line Conditioning and Power Regulation.

### TYPICAL APPLICATIONS

- Drive by Wire
- Dimming Mirror Circuit
- Filtering/protection on Microcontroller I/O lines
- Filtering/protection on Interface I/O lines
- Power Line Conditioning
- Power Regulation
- LCD Dashboard driver

Where designers are concerned with both transient voltage protection and EMI attenuation, either due to the electrical performance of their circuits or due to required compliance to specific EMC regulations, the TransFeed product is an ideal choice.

### GENERAL CHARACTERISTICS

- Operating Temperature: -55°C to +125°C
- Working Voltage: 5.6Vdc - 26Vdc
- Case Size: 0805
- Energy Rating: 0.05 - 0.3J
- Current: 20 - 120A
- Max Feedthru Current: 0.5 - 1A

### FEATURES

- Bi-directional TVS
- Narrow band, high attenuation filter
- EMI Filtering over broader frequency range
- Fastest Response Time to ESD Strikes
- AEC-Q 200 Qualified

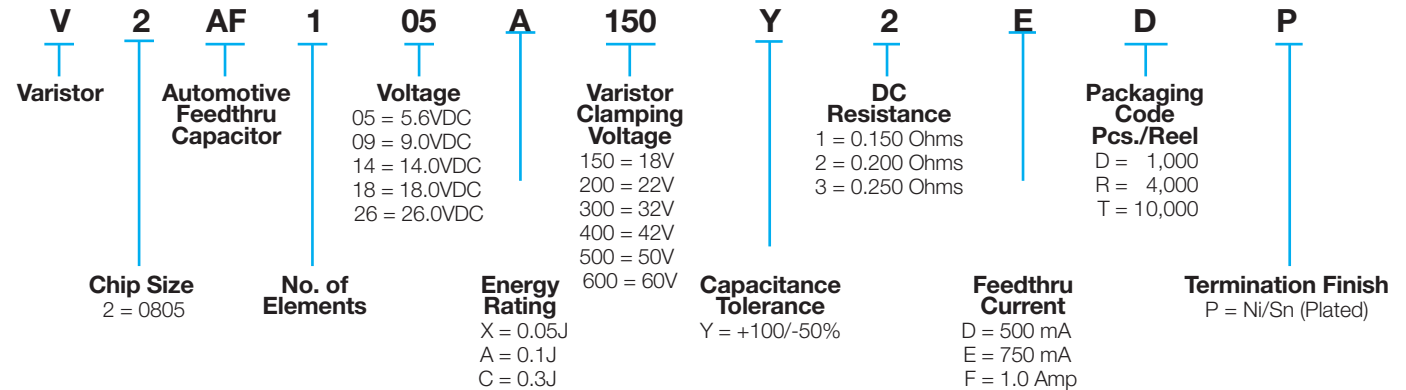
# TransFeed Automotive Series

## AVX Multilayer Ceramic Transient Voltage Suppressors

### TVS Protection and EMI Attenuation in a Single Chip



#### HOW TO ORDER



#### TRANSFEED ELECTRICAL SPECIFICATIONS

| AVX Part Number  | Working Voltage (DC) | Working Voltage (AC) | Breakdown Voltage | Clamping Voltage | Maximum Leakage Current | Transient Energy Rating | Peak Current Rating | Typical Cap | DC Resistance | Maximum Feedthru Current | Jump Start Voltage |
|------------------|----------------------|----------------------|-------------------|------------------|-------------------------|-------------------------|---------------------|-------------|---------------|--------------------------|--------------------|
| V2AF105A150Y2E__ | 5.6                  | 4.0                  | 8.5±20%           | 18               | 35                      | 0.10                    | 30                  | 800         | 0.200         | 0.75                     | -                  |
| V2AF105C150Y1F__ | 5.6                  | 4.0                  | 8.5±20%           | 18               | 35                      | 0.30                    | 120                 | 2500        | 0.150         | 1.00                     | -                  |
| V2AF109A200Y2E__ | 9.0                  | 6.4                  | 12.7±15%          | 22               | 25                      | 0.10                    | 30                  | 575         | 0.200         | 0.75                     | -                  |
| V2AF109C200Y1F__ | 9.0                  | 6.4                  | 12.7±15%          | 22               | 25                      | 0.30                    | 120                 | 1800        | 0.150         | 1.00                     | -                  |
| V2AF114A300Y2E__ | 14.0                 | 10.0                 | 18.5±12%          | 32               | 15                      | 0.10                    | 30                  | 300         | 0.200         | 0.75                     | 27.5               |
| V2AF114C300Y1F__ | 14.0                 | 10.0                 | 18.5±12%          | 32               | 15                      | 0.30                    | 120                 | 900         | 0.150         | 1.00                     | 27.5               |
| V2AF118A400Y2E__ | 18.0                 | 13.0                 | 25.5±10%          | 42               | 10                      | 0.10                    | 30                  | 200         | 0.200         | 0.75                     | 27.5               |
| V2AF118C400Y1F__ | 18.0                 | 13.0                 | 25.5±10%          | 42               | 10                      | 0.30                    | 120                 | 500         | 0.150         | 1.00                     | 27.5               |
| V2AF118X500Y3D__ | 18.0                 | 13.0                 | 25.5±10%          | 50               | 10                      | 0.05                    | 20                  | 75          | 0.250         | 0.50                     | 27.5               |
| V2AF126C600Y2E__ | 26.0                 | 18.0                 | 34.5±10%          | 60               | 10                      | 0.3                     | 80                  | 250         | 0.2           | 0.75                     | 27.5               |

Termination Finish Code  
Packaging Code

|            |   |            |   |
|------------|---|------------|---|
| $V_w$ (DC) | DC Working Voltage (V)                              | $E_T$      | Transient Energy Rating (J, 10x1000µs)    |
| $V_w$ (AC) | AC Working Voltage (V)                              | $I_p$      | Peak Current Rating (A, 8x20µs)           |
| $V_B$      | Typical Breakdown Voltage (V @ 1mA <sub>DC</sub> )  | Cap        | Typical Capacitance (pF) @ 1MHz and 0.5 V |
| $V_B$ Tol  | $V_B$ Tolerance is ± from Typical Value             | DCR        | DC Resistance (Ohms)                      |
| $V_C$      | Clamping Voltage (V @ 1A 8x20µs)                    | $I_{FT}$   | Maximum Feedthru Current (A)              |
| $I_L$      | Maximum Leakage Current at the Working Voltage (µA) | $V_{JUMP}$ | Jump Start Voltage (V, 5 min)             |

# TransFeed Automotive Series

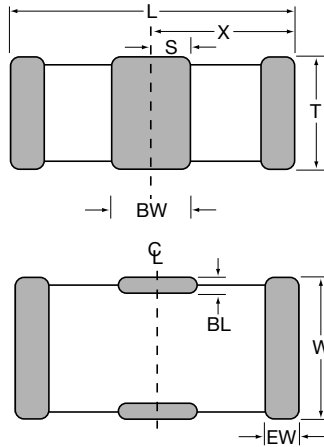
## AVX Multilayer Ceramic Transient Voltage Suppressors

### TVS Protection and EMI Attenuation in a Single Chip



#### DIMENSIONS

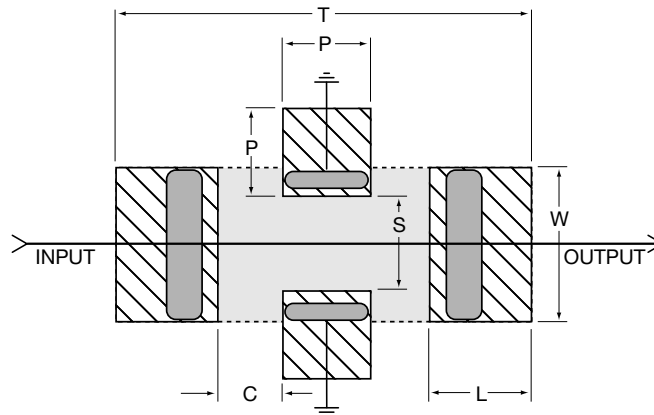
|      | L                              | W                              | T                          | BW                             | BL  | EW                             | X                              | S                              | mm (inches) |
|------|--------------------------------|--------------------------------|----------------------------|--------------------------------|---|--------------------------------|--------------------------------|--------------------------------|-------------|
| 0805 | 2.01 ± 0.20<br>(0.079 ± 0.008) | 1.25 ± 0.20<br>(0.049 ± 0.008) | 1.143 Max.<br>(0.045 Max.) | 0.46 ± 0.10<br>(0.018 ± 0.004) | 0.18 + 0.25 - 0.08<br>(0.007 + 0.010 - 0.003) | 0.25 ± 0.13<br>(0.010 ± 0.005) | 1.02 ± 0.10<br>(0.040 ± 0.004) | 0.23 ± 0.05<br>(0.009 ± 0.002) |             |



#### RECOMMENDED SOLDER PAD LAYOUT (Typical Dimensions)

|      | T            | P            | S            | W            | L            | C            | mm (inches) |
|------|--------------|--------------|--------------|--------------|--------------|--------------|-------------|
| 0805 | 3.45 (0.136) | 0.51 (0.020) | 0.76 (0.030) | 1.27 (0.050) | 1.02 (0.040) | 0.46 (0.018) |             |

#### 4 Pad Layout



# TransFeed Automotive Series

## AVX Multilayer Ceramic Transient Voltage Suppressors TVS Protection and EMI Attenuation in a Single Chip



### PERFORMANCE CHARACTERISTICS

#### FEEDTHRU VARISTORS

AVX Multilayer Feedthru Varistors (MLVF) are an ideal choice for system designers with transient strike and broadband EMI/RFI concerns.

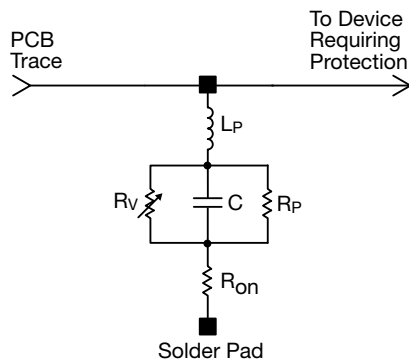
Feedthru Varistors utilize a ZnO varistor material and the electrode pattern of a feedthru capacitor. This combination allows the package advantage of the feedthru and material advantages of the ZnO dielectric to be optimized.

ZnO MLV Feedthrus exhibit electrical and physical advantages over standard ZnO MLVs. Among them are:

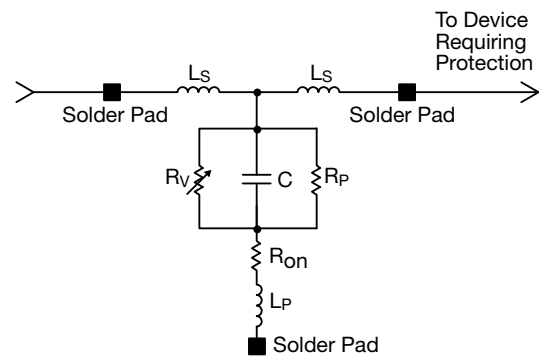
1. Faster Turn on Time
2. Broadband EMI attenuation
3. Small size (relative to discrete MLV and EMI filter schemes)

The electrical model for a ZnO MLV and a ZnO Feedthru MLV are shown below. The key difference in the model for the Feedthru is a transformation in parallel to series inductance. The added series inductance helps lower the injected transient peak current (by  $2\pi fL$ ) resulting in an additional benefit of a lower clamping voltage. The lowered parallel inductance decreases the turn on time for the varistor to <250ps.

**Discrete MLV Model**



**Discrete MLVF Model**



Where:  $R_v$  = Voltage Variable resistance (per VI curve)  
 $R_p \geq 10^{12} \Omega$   
 $C$  = defined by voltage rating and energy level  
 $R_{on}$  = turn on resistance  
 $L_p$  = parallel body inductance

Where:  $R_v$  = Voltage Variable resistance (per VI curve)  
 $R_p$  = Body IR  
 $C$  = defined by voltage rating and energy level  
 $R_{on}$  = turn on resistance  
 $L_p$  = minimized parallel body inductance  
 $L_s$  = series body inductance

# TransFeed Automotive Series

## AVX Multilayer Ceramic Transient Voltage Suppressors TVS Protection and EMI Attenuation in a Single Chip



### PERFORMANCE CHARACTERISTICS

#### APPLICATIONS

- EMI Suppression
- Broadband I/O Filtering
- Vcc Line Conditioning

#### FEATURES

- Small Size
- Low ESR
- Ultra-fast Response Time
- Broad S21 Characteristics

#### MARKET SEGMENTS

- Computers
- Automotive
- Power Supplies
- Multimedia Add-On Cards
- Bar Code Scanners
- Remote Terminals
- Medical Instrumentation
- Test Equipment
- Transceivers
- Cellular Phones / Pagers

#### TYPICAL CIRCUITS REQUIRING TRANSIENT VOLTAGE PROTECTION AND EMI FILTERING

The following applications and schematic diagrams show where TransFeed TVS/ EMI filtering devices might be used:

- System Board Level Interfaces: (Fig. 1)  
Digital to RF  
Analog to Digital  
Digital to Analog
- Voltage Regulation (Fig. 2)
- Power Conversion Circuits (Fig. 3)
- GaAs FET Protection (Fig. 4)

Fig. 1 – System Interface

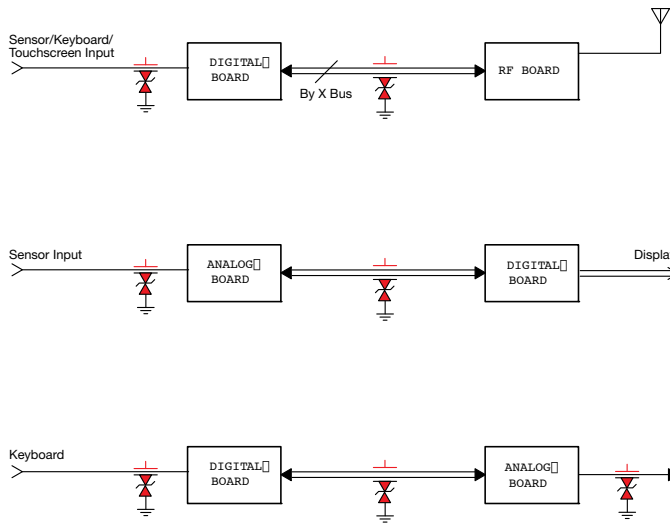


Fig. 2 – Voltage Regulators

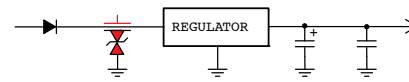


Fig. 3 – Power Conversion Circuits/Power Switching Circuits

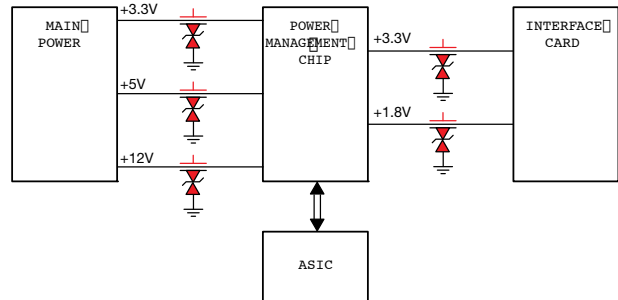


Fig. 4 – GaAs FET Protection

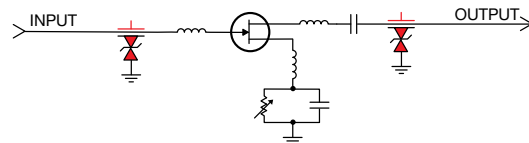
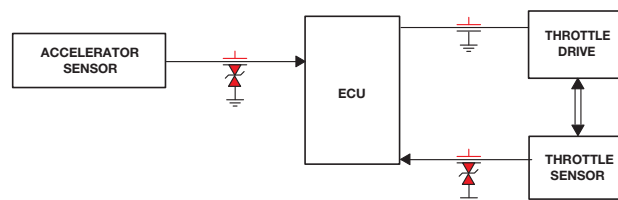


Fig. 5 – Automotive TransFeed - Throttle by Wire



### SPECIFICATION COMPARISON

| MLVF 0805                         | PARAMETER  | MLV 0805                       |
|-----------------------------------|--|--------------------------------|
| 5ph                               | $L_s$ typical                                      | N/A                            |
| <600nh                            | $L_p$ typical                                      | <1.5nh                         |
| <0.025 $\Omega$                   | $R_{on}$ typical                                   | <0.1 $\Omega$                  |
| 100pf to 2.5nf                    | $C$ typical  | 100pf to 5.5nf                 |
| see VI curves                     | $R_v$ typical                                      | see VI curves                  |
| >0.25 x 10 <sup>12</sup> $\Omega$ | $R_p$ typical                                      | >1 x 10 <sup>12</sup> $\Omega$ |
| <250ps                            | Typical turn on time<br>Typical frequency response | <500ps                         |

A comparison table showing typical element parameters and resulting performance features for MLV and MLVF is shown above.

Компания «Океан Электроники» предлагает заключение долгосрочных отношений при поставках импортных электронных компонентов на взаимовыгодных условиях!

Наши преимущества:

- Поставка оригинальных импортных электронных компонентов напрямую с производств Америки, Европы и Азии, а так же с крупнейших складов мира;
- Широкая линейка поставок активных и пассивных импортных электронных компонентов (более 30 млн. наименований);
- Поставка сложных, дефицитных, либо снятых с производства позиций;
- Оперативные сроки поставки под заказ (от 5 рабочих дней);
- Экспресс доставка в любую точку России;
- Помощь Конструкторского Отдела и консультации квалифицированных инженеров;
- Техническая поддержка проекта, помощь в подборе аналогов, поставка прототипов;
- Поставка электронных компонентов под контролем ВП;
- Система менеджмента качества сертифицирована по Международному стандарту ISO 9001;
- При необходимости вся продукция военного и аэрокосмического назначения проходит испытания и сертификацию в лаборатории (по согласованию с заказчиком);
- Поставка специализированных компонентов военного и аэрокосмического уровня качества (Xilinx, Altera, Analog Devices, Intersil, Interpoint, Microsemi, Actel, Aeroflex, Peregrine, VPT, Syfer, Eurofarad, Texas Instruments, MS Kennedy, Miteq, Cobham, E2V, MA-COM, Hittite, Mini-Circuits, General Dynamics и др.);

Компания «Океан Электроники» является официальным дистрибьютором и эксклюзивным представителем в России одного из крупнейших производителей разъемов военного и аэрокосмического назначения «JONHON», а так же официальным дистрибьютором и эксклюзивным представителем в России производителя высокотехнологичных и надежных решений для передачи СВЧ сигналов «FORSTAR».



## JONHON

«JONHON» (основан в 1970 г.)

Разъемы специального, военного и аэрокосмического назначения:

(Применяются в военной, авиационной, аэрокосмической, морской, железнодорожной, горно- и нефтедобывающей отраслях промышленности)

«FORSTAR» (основан в 1998 г.)

ВЧ соединители, коаксиальные кабели,  
кабельные сборки и микроволновые компоненты:

(Применяются в телекоммуникациях гражданского и специального назначения, в средствах связи, РЛС, а так же военной, авиационной и аэрокосмической отраслях промышленности).



Телефон: 8 (812) 309-75-97 (многоканальный)

Факс: 8 (812) 320-03-32

Электронная почта: [ocean@oceanchips.ru](mailto:ocean@oceanchips.ru)

Web: <http://oceanchips.ru/>

Адрес: 198099, г. Санкт-Петербург, ул. Калинина, д. 2, корп. 4, лит. А