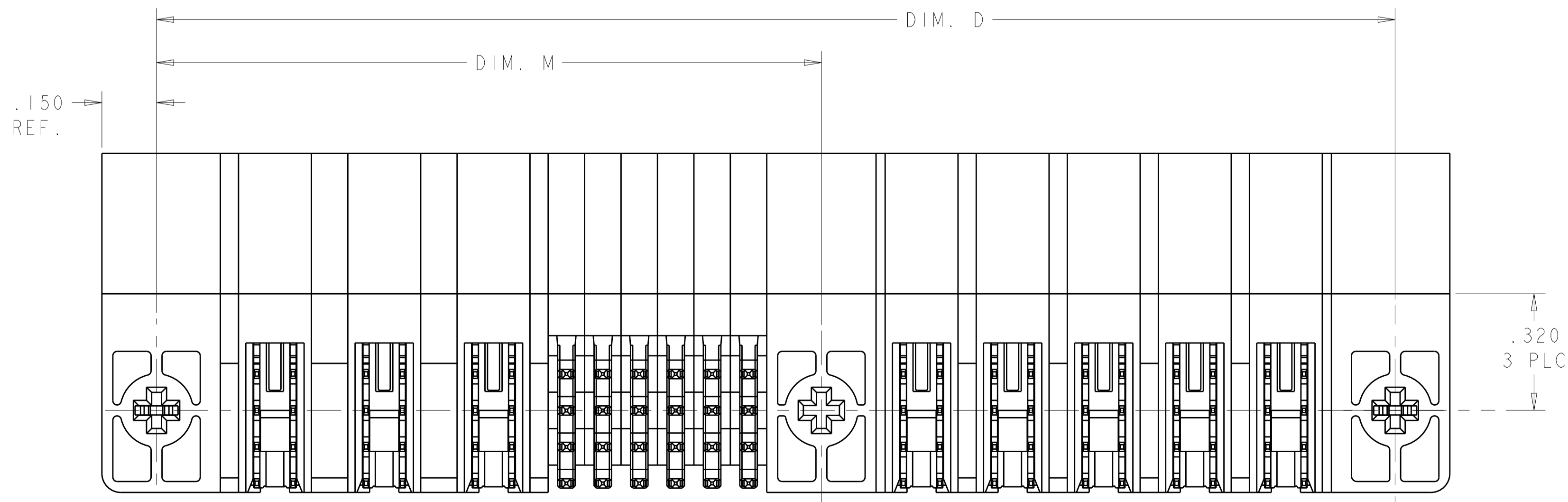
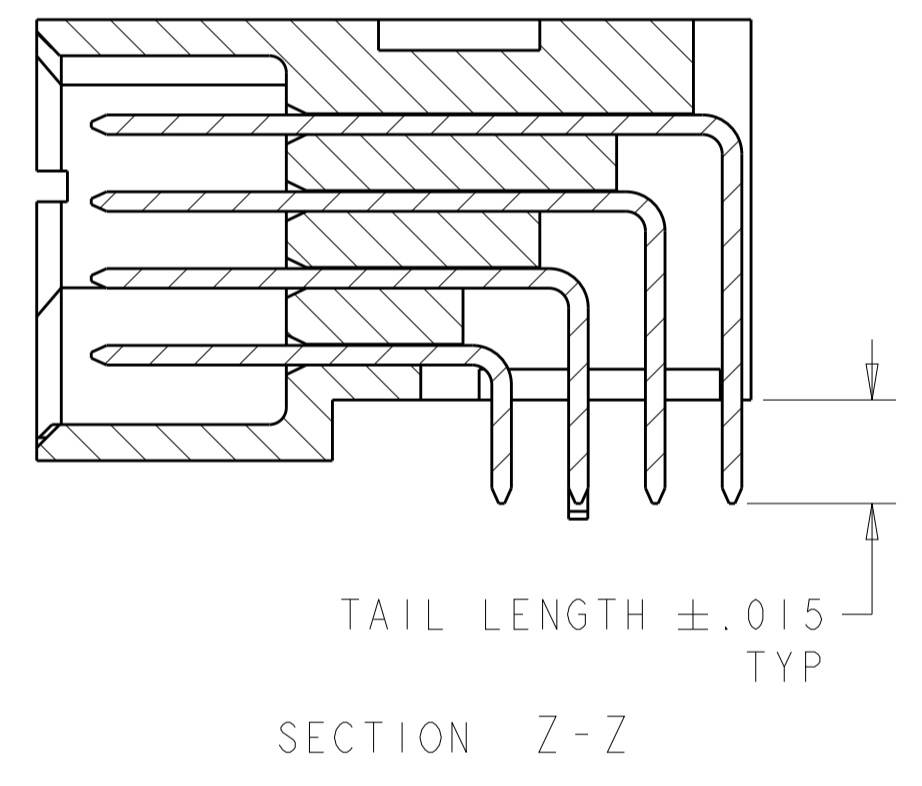
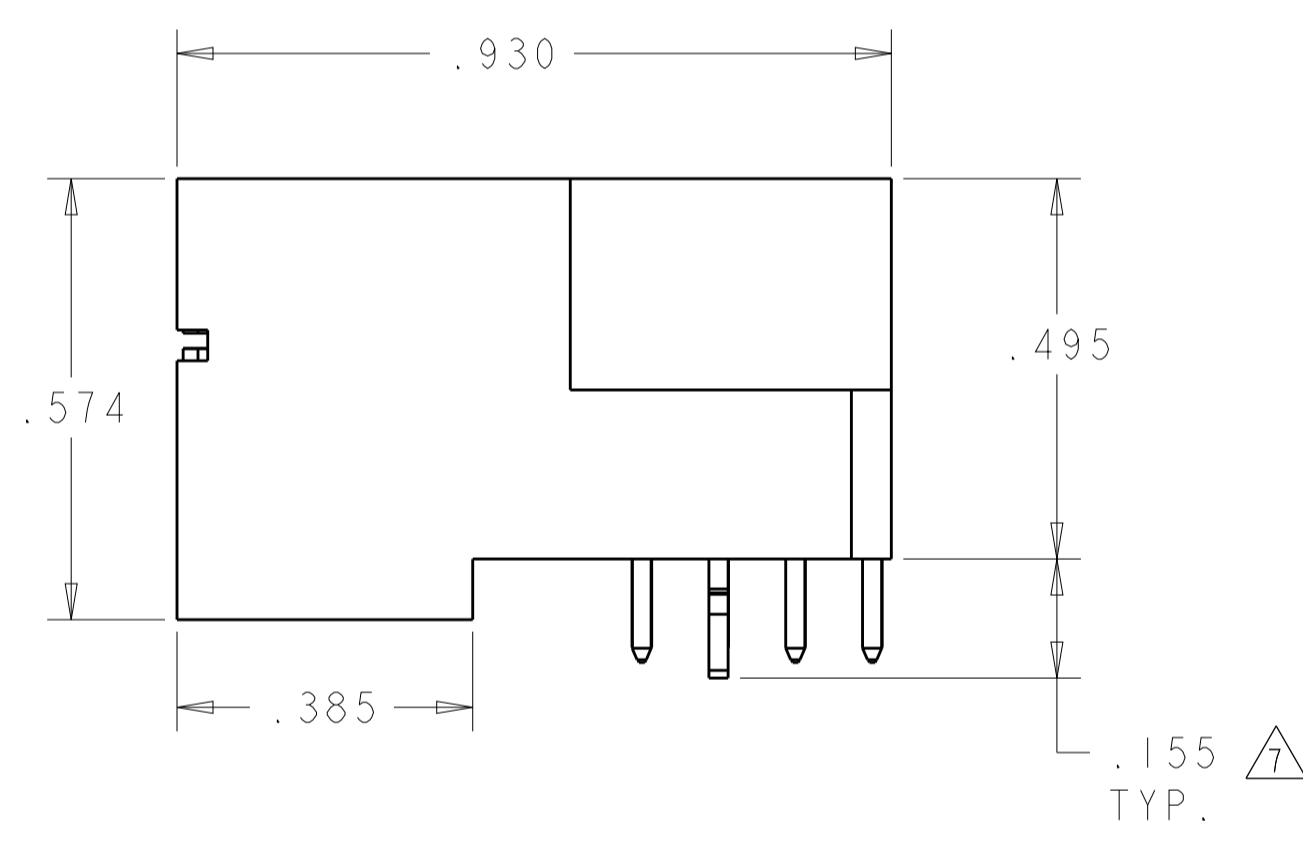
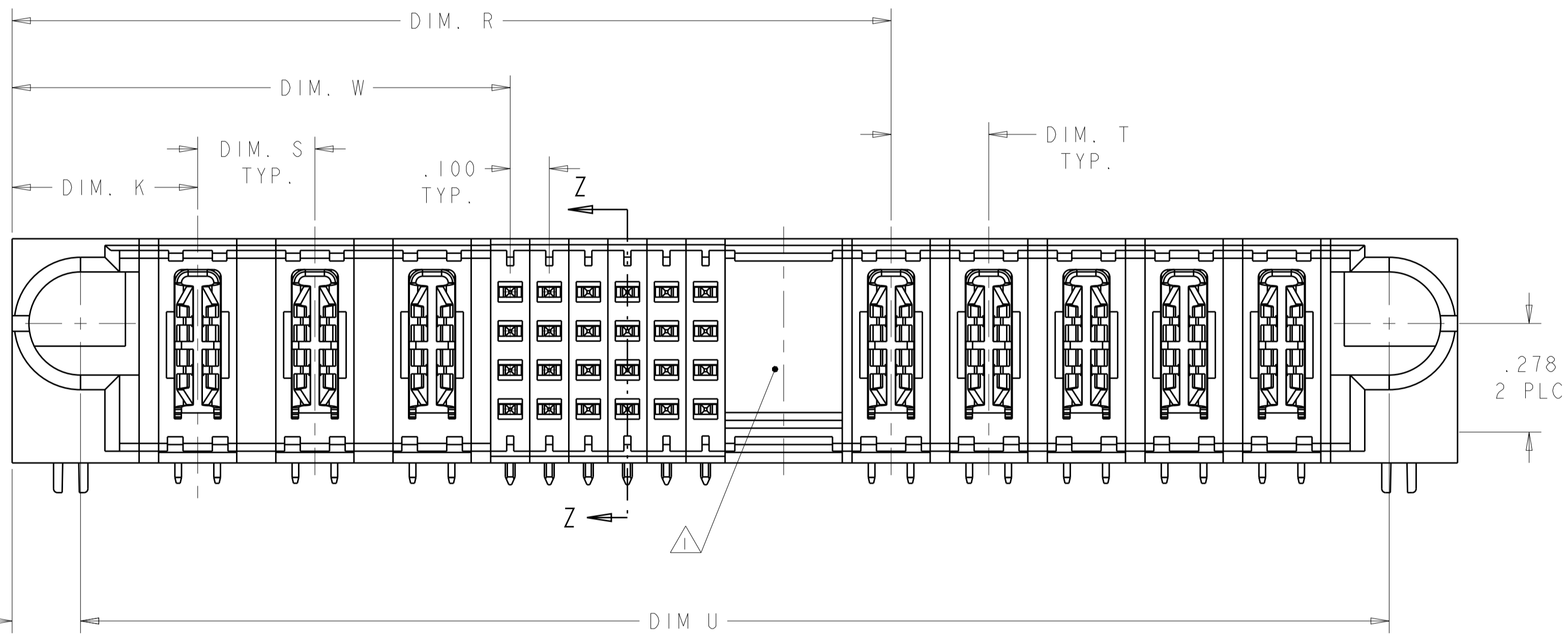
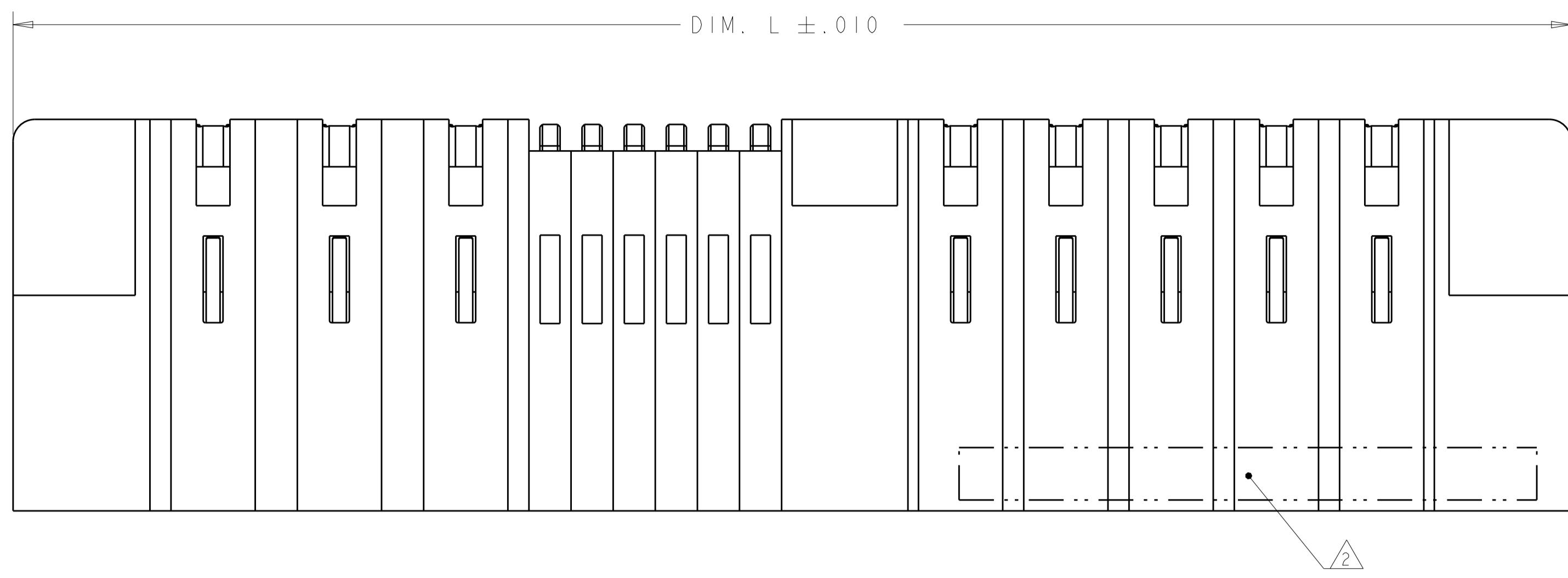


LOC		DIST		REVISIONS			
P	LTN	DESCRIPTION	DATE	DWN	APVD		
L9		REV PER ECR-12-010228	07JUN2012	AY	SZ		
M1		ADD 5-6450130-3	25JUL2012	OL	SZ		



.175 REF

.150 REF

THIS DRAWING IS A CONTROLLED DOCUMENT.

DIMENSIONS: INCHES	TOLERANCES UNLESS OTHERWISE SPECIFIED: 0 PLC \pm 1 PLC $\pm .01$ 2 PLC $\pm .01$ 3 PLC $\pm .005$ 4 PLC $\pm .0020$ ANGLES $\pm 30^\circ$	DWN: R.GRZYBOWSKI 4FEB2005 CHK: M.PERCHEK 14FEB2005 APVD: M.PERCHEK 14FEB2005	NAME: RIGHT ANGLE HEADER ASSEMBLY W/GUIDES MULTI-BEAM XL
MATERIAL: 3	FINISH: 4	PRODUCT SPEC: 108-1973 APPLICATION SPEC: 114-13038 WEIGHT: -	SIZE: A1 CAGE CODE: C=6450130 SCALE: 4:1

Customer Drawing SHEET 1 OF 28 REV M2

LOC	DIST	REV	DATE	BY	APPV
ES	00				

- △ OPTIONAL CENTER MODULE WITH Ø.150 THRU HOLE OR HOLD DOWN FEATURE.
- △ "AMP", PART NUMBER, AND DATE CODE TO BE MARKED IN AREA SHOWN.
- △ MATERIAL: HOUSING - GLASS FILLED HIGH TEMP THERMO PLASTIC, UL94 V-0
SIGNAL CONTACT - COPPER ALLOY
POWER CONTACT - HIGH CONDUCTIVITY COPPER ALLOY
- △ CONTACT PLATING: NOBLE METAL PLATING ON CONTACT FUNCTIONAL AREA OF SIGNAL CONTACTS AND POWER CONTACTS.
- △ MECHANICAL CONNECTOR KEEP OUT ZONE.
- △ DATUM AND BASIC DIMENSIONS ESTABLISHED BY CUSTOMER.
- △ HOLD DOWN SEATING DEPTH DIMENSION FOR 6450130-4 IS .185 TYP
- △ PCB - ALL HOLE DIAMETERS ARE FINISHED HOLE SIZES.
- △ PCB - .0453 +/- .0010 DRILLED HOLES PLATES WITH .0003 MIN Sn OVER .001 TO .003 Cu PLATING TO ACHIEVE A .040±.003 DIA HOLE.
- △ VARIABLE DIMS. SHOWN ON VIEW

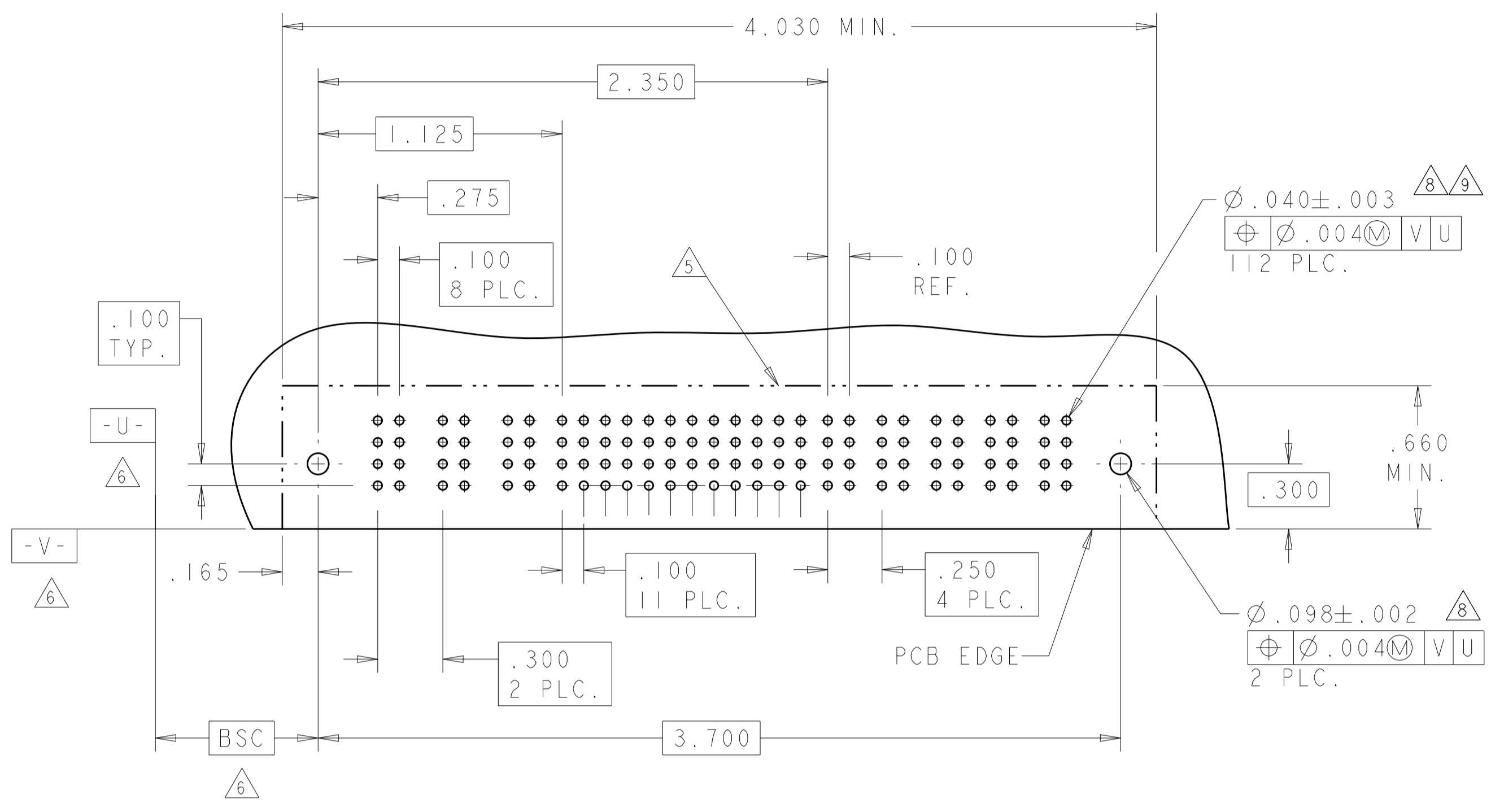
Ⓛ9 PART IS SHEET 27

DIM U	DIM S	DIM T	DIM R	DIM W	DIM D	DIM M	DIM L	DIM K	DESCRIPTION	PART NUMBER
1.600	-	-	1.500	.625	1.650	-	1.950	.450	1P + 32S + IP	9-6450130-9
2.400	.250	.250	1.550	.875	2.450	-	2.750	.450	2P + 24S + 4P	9-6450130-8
2.400	.250	.250	1.800	1.125	2.450	-	2.750	.450	3P + 24S + 3P	9-6450130-7
1.300	-	-	1.200	.625	1.350	-	1.650	.450	1P + 20S + IP	9-6450130-6
2.300	.250	.300	1.575	.875	2.350	-	2.650	.450	2P + 24S + 3ACP	9-6450130-5
2.800	.250	.300	2.075	1.375	2.850	-	3.150	.450	4P + 24S + 3ACP	9-6450130-4
1.700	.250	.250	1.350	.875	1.750	-	2.050	.450	2P + 16S + 2P	9-6450130-3

DIM U	DIM S	DIM T	DIM R	DIM W	DIM D	DIM M	DIM L	DIM K	DESCRIPTION	PART NUMBER
2.350	.250	.250	1.250	.875	2.400	-	2.700	.450	2P + 12S + 5P	9-6450130-2
2.400	.250	.250	1.800	1.125	2.450	-	2.750	.450	3P + 24S + 3P	9-6450130-0
1.200	-	-	1.100	.625	1.250	-	1.550	.450	1P + 16S + 1P	8-6450130-9
1.900	.250	.250	1.550	.875	1.950	-	2.250	.450	2P + 24S + 2P	8-6450130-8
2.900	.250	.250	2.550	.875	2.950	-	3.250	.450	2P + 64S + 2P	8-6450130-7
2.400	.250	.250	1.800	1.125	2.450	-	2.750	.450	3P + 24S + 3P	8-6450130-6
1.300	-	-	1.200	.675	1.350	-	1.650	.450	1P + 16S + 1P	8-6450130-5
2.800	.250	.250	1.700	1.125	2.850	-	3.150	.450	3P + 20S + 5P	8-6450130-4
2.800	.250	.300	2.075	1.375	2.850	-	3.150	.450	4P + 24S + 3ACP	8-6450130-2
2.850	.250	.250	2.500	1.875	2.900	-	3.200	.450	6P + 20S + 2P	8-6450130-0
2.600	.250	.250	2.250	1.625	2.650	-	2.950	.450	5P + 20S + 2P	7-6450130-9
2.400	.250	.250	1.800	1.125	2.450	-	2.750	.450	3P + 24S + 3P	7-6450130-8
4.800	.250	.250	3.450	1.875	4.850	-	5.150	.450	6P + 60S + 6P	7-6450130-7
3.050	.300	.250	1.950	1.275	3.100	-	3.400	.475	3ACP + 24S + 5P	7-6450130-6
2.400	.250	.250	1.800	1.125	2.450	-	2.750	.450	3P + 24S + 3P	7-6450130-5
6.250	.250	△	5.050	4.375	6.300	-	6.600	.450	16P + 24S + 2P + 3ACP	7-6450130-4
2.000	.300	.250	1.650	1.325	2.050	-	2.350	.475	3ACP + 8S + 2P	7-6450130-1
2.500	.250	.250	2.150	.875	2.550	-	2.850	.450	2P + 48S + 2P	6-6450130-9
1.900	.250	.250	1.550	.875	1.950	-	2.250	.450	2P + 24S + 2P	6-6450130-7
2.500	.250	.250	2.150	1.425	2.550	-	2.850	.450	4P + 24S + 2P	5-6450130-8
6.300	△	△	3.925	3.275	6.350	-	6.650	.425	14P + 24S + 12P	5-6450130-6
3.100	.200	.200	2.225	1.375	3.150	-	3.450	.425	5P + 32S + 5P	5-6450130-5
2.400	.200	.200	1.900	1.225	2.450	-	2.750	.450	4HDP + 24S + 3HDP	5-6450130-3
2.300	.300	.250	1.950	1.275	2.350	-	2.650	.450	3ACP + 24S + 2P	5-6450130-1
4.000	.300	.300	2.675	1.925	4.050	-	4.350	.475	5ACP + 24S + 5ACP	5-6450130-0
3.000	.250	.250	2.150	1.425	3.050	-	3.350	.450	4P + 24S + 4P	4-6450130-9
3.300	.250	.250	2.450	1.375	3.350	-	3.650	.450	4P + 40S + 4P	4-6450130-8
3.100	.200	.200	2.225	1.375	3.150	-	3.450	.425	5P + 32S + 5P	4-6450130-5
2.100	.300	.250	1.750	1.275	2.150	-	2.450	.475	3ACP + 16S + 2P	4-6450130-3
1.900	.250	.250	1.550	.875	1.950	-	2.250	.450	2P + 24S + 2P	4-6450130-2
2.100	.200	.200	1.425	1.175	2.150	-	2.450	.425	4P + 8S + 4P	4-6450130-0
2.100	.300	.250	1.750	1.275	2.150	-	2.450	.475	3ACP + 16S + 2P	3-6450130-9
4.675	.250	.300	3.950	3.375	4.725	-	5.025	.450	12P + 20S + 3ACP	3-6450130-6
3.500	.250	.250	2.900	1.625	3.550	-	3.850	.450	5P + 48S + 3P	3-6450130-2
1.900	.250	.250	1.550	.875	1.950	-	2.250	.450	2P + 24S + 2P	2-6450130-9
3.250	.250	.250	2.900	1.125	3.300	-	3.600	.450	3P + 68S + 2P	2-6450130-8
2.300	.300	.250	1.950	1.275	2.350	-	2.650	.475	3ACP + 24S + 2P	2-6450130-6
2.600	.200	.200	1.925	1.175	2.650	-	2.950	.425	4HDP + 28S + 4HDP	2-6450130-4
3.200	.200	.200	2.125	1.575	3.250	-	3.550	.425	6P + 20S + 6P	2-6450130-3
2.800	.250	.300	2.075	1.375	2.850	-	3.150	.450	4P + 24S + 3ACP	2-6450130-2
3.500	.200	.200	2.225	1.775	3.550	-	3.850	.425	7P + 16S + 7P	2-6450130-1
5.450	△	△	3.075	2.425	5.500	-	5.800	.425	10P + 24S + 12P	2-6450130-0
4.400	.250	.250	4.050	.875	4.450	-	4.750	.450	2P + 124S + 2P	1-6450130-9
4.275	△	.250	3.175	2.500	4.325	-	4.625	.475	2ACP + 6P + 24S + 5P	1-6450130-8
1.900	.250	.250	1.550	.875	1.950	-	2.250	.450	2P + 24S + 2P	1-6450130-7
3.300	.300	.250	1.950	1.275	3.350	-	3.650	.475	3ACP + 24S + 6P	1-6450130-4
4.050	.250	-	3.950	.875	4.100	-	4.400	.450	2P + 120S + 1P	1-6450130-3
3.250	.250	-	3.150	.875	3.300	-	3.600	.450	2P + 88S + 1P	1-6450130-2
1.400	-	-	1.300	.625	1.450	-	1.750	.450	1P + 24S + 1P	1-6450130-1
2.900	.250	.250	2.550	.875	2.950	-	3.250	.450	2P + 64S + 2P	1-6450130-0
2.550	.250	.300	1.825	1.125	2.600	-	2.900	.450	3P + 24S + 3ACP	6450130-9
2.675	.200	.200	2.375	1.650	2.725	-	3.025	.450	5P + 24S + 2P	6450130-8
3.650	.250	.250	2.550	1.875	3.700	-	4.000	.450	6P + 24S + 5P	6450130-7
2.400	.250	.250	1.800	1.125	2.450	-	2.750	.450	3P + 24S + 3P	6450130-6
4.350	.250	.250	3.500	2.625	4.400	-	4.700	.450	9P + 32S + 4P	6450130-5
2.800	.250	.300	2.075	1.375	2.850	-	3.150	.450	4P + 24S + 3ACP	6450130-4
3.050	.300	.250	1.950	1.275	3.100	-	3.400	.475	3ACP + 24S + 5P	6450130-3
2.550	.300	.250	2.200	1.525	2.600	-	2.900	.475	3ACP + 1P + 24S + 2P	6450130-2
3.650	.300	.250	2.550	1.275	3.700	-	4.000	.475	3ACP + 48S + 5P	6450130-1

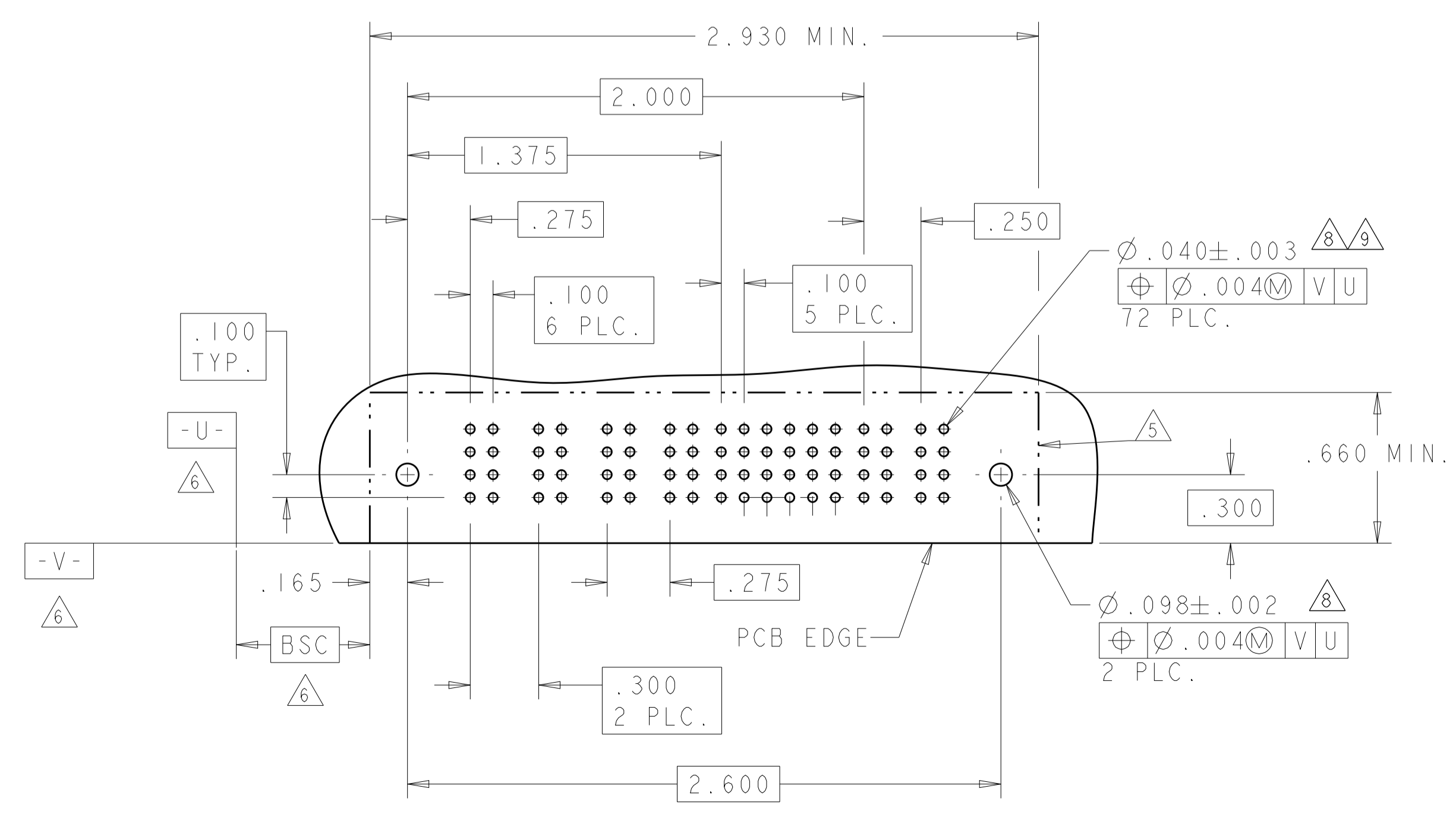
THIS DRAWING IS A CONTROLLED DOCUMENT. DIMENSIONS: INCHES. TOLERANCES UNLESS OTHERWISE SPECIFIED: 0 PLC ±.01, 1 PLC ±.01, 2 PLC ±.01, 3 PLC ±.005, 4 PLC ±.002, ANGLES ±.020. MATERIAL: FINISH: THIS DRAWING IS A CONTROLLED DOCUMENT. DWG: R. GRZYBOWSKI, CHK: M. PERCHERKE, APVD: M. PERCHERKE. DATE: 4FEB2005. PRODUCT SPEC: 108-1973. APPLICATION SPEC: 114-13038. WEIGHT: Customer Drawing. SCALE: 4:1. SHEET 2 OF 28. REV: M2.

PART NUMBER	ROWS	POWER			SIGNAL								POWER											
		P1	P2	P3	1	2	3	4	5	6	7	8	9	10	11	12	P4	P5	P6	P7	P8			
6450130-1	D C B A	PM	PM	PM	J	J	J	J	J	J	J	J	J	J	J	J	PM	PM	PM	PM	PM	PM	PM	
					K	K	K	K	K	K	K	K	K	K	K	K								
					N	N	N	N	N	N	N	N	N	N	N	N								N
					S	S	S	S	S	S	S	S	S	S	S	S								H
3ACP + 48S + 5P																								



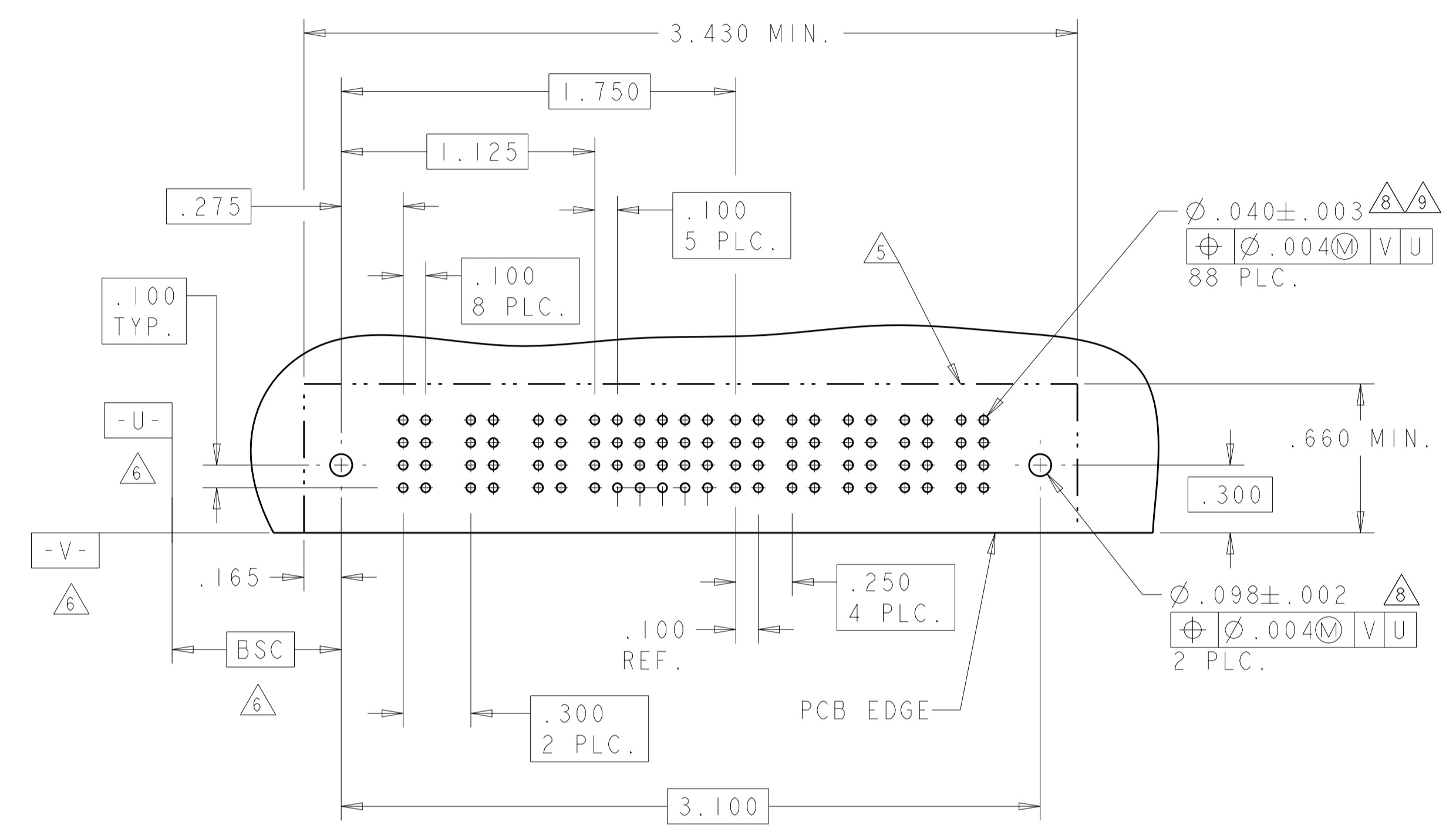
NO CONTACT LOADED

PART NUMBER	ROWS	POWER				SIGNAL						POWER			
		P1	P2	P3	P4	1	2	3	4	5	6	P5	P6		
6450130-2	D C B A	PM	PM	PM	E	J	J	J	J	J	J	PM	PM	PM	PM
						K	K	F	K	K	K				
						N	N	N	N	N	N				
						H	S	S	S	S	H				
3ACP + 1P + 24S + 2P															



LOC	DIST	REV	DATE	BY	APPV
ES	00				

PART NUMBER	ROWS	POWER			SIGNAL						POWER							
		P1	P2	P3	1	2	3	4	5	6	P4	P5	P6	P7	P8			
6450130-3	D C B A	PM	PM	PM	J	J	J	J	E	J	J	J	J	PM	PM	PM	PM	PM
					K	K	F	K	K	K	K	K						
					N	N	N	N	N	N	N	N						
					S	S	H	S	S	S	S	S						
3ACP + 24S + 5P																		



CODE	TAIL LENGTH	DESCRIPTION
PM	.135	MULTI-BEAM
PA	.090	MULTI-BEAM
POWER CONTACT		

CODE	MATING SEQUENCE	TAIL LENGTH	ROW
Z	STD	.090	D
Y	STD	.090	C
R	STD	.090	B
O	STD	.090	A
A4	MLBF	.090	D
A3	MLBF	.090	C
A2	MLBF	.090	B
A1	MLBF	.090	A
E	MLBF	.135	D
F	MLBF	.135	C
G	MLBF	.135	B
H	MLBF	.135	A
J	STD	.135	D
K	STD	.135	C
N	STD	.135	B
S	STD	.135	A
SIGNAL CONTACT			

THIS DRAWING IS A CONTROLLED DOCUMENT.

DIMENSIONS: INCHES	TOLERANCES UNLESS OTHERWISE SPECIFIED:	0 PLC ±.01	1 PLC ±.01	2 PLC ±.01	3 PLC ±.005	4 PLC ±.002	ANGLES ±.020	FINISH
--------------------	--	------------	------------	------------	-------------	-------------	--------------	--------

Customer Drawing

DATE: 14 FEB 2005

NAME: M. PERCHERKE

PRODUCT SPEC: 108-1973

APPLICATION SPEC: 114-13038

WEIGHT: -

SCALE: 4:1

SHEET: 3 OF 28

REV: M2

STE TE Connectivity

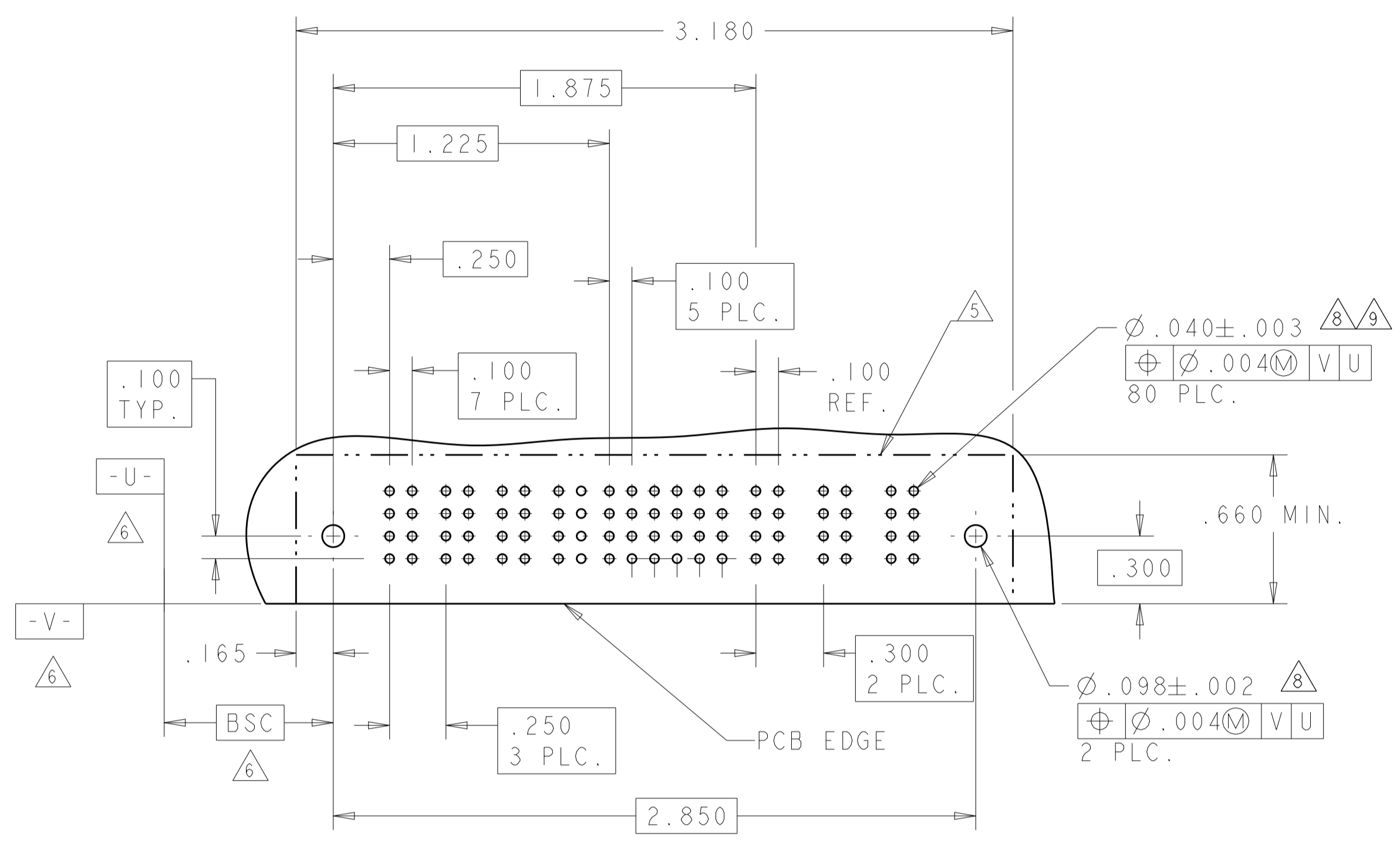
RIGHT ANGLE HEADER ASSEMBLY W/GUIDES MULTI-BEAM XL

SIZE: A1

CAGE CODE: 100779

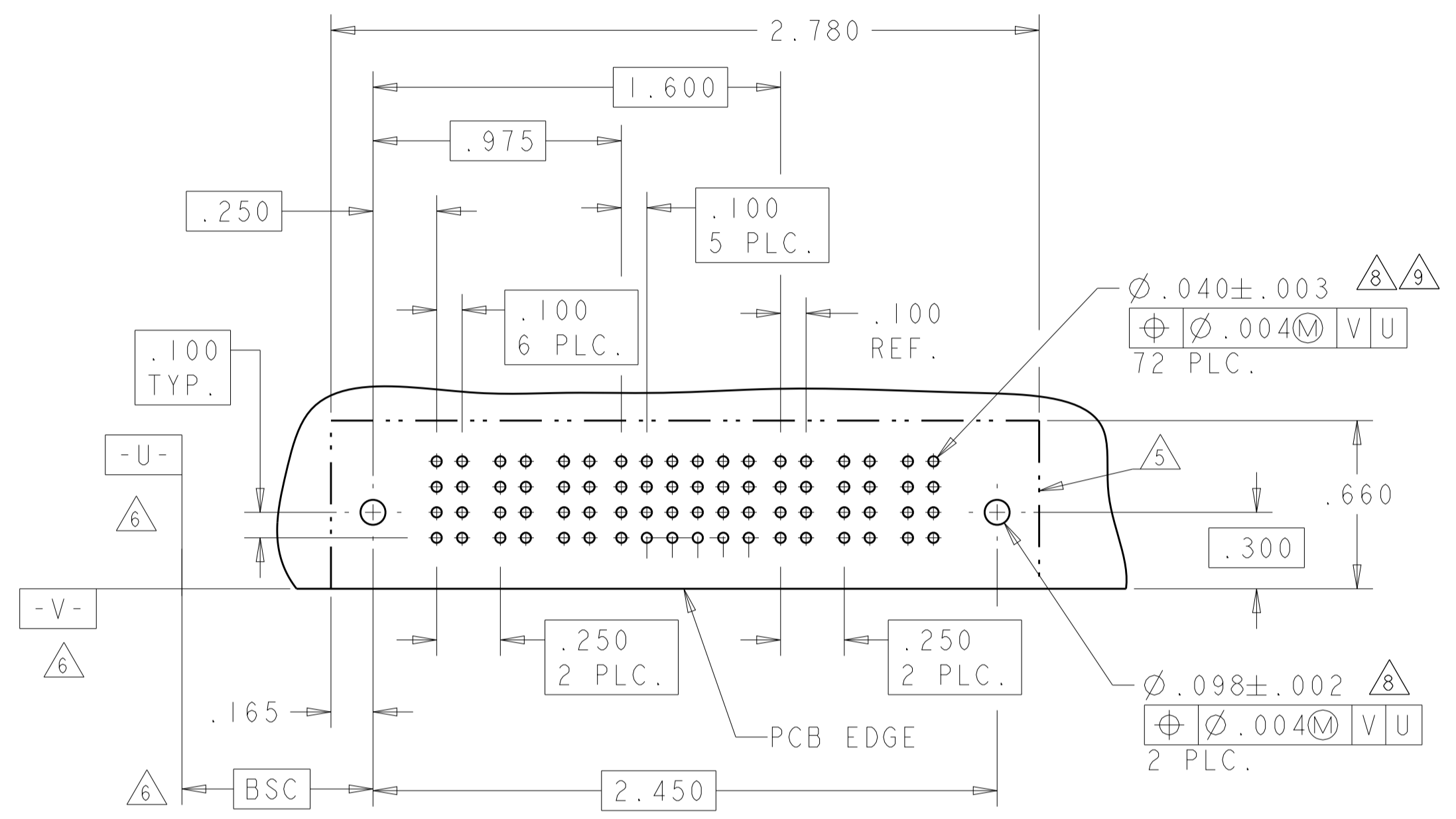
DRAWING NO: 6450130

PART NUMBER	ROWS	POWER				SIGNAL						POWER		
		P1	P2	P3	P4	1	2	3	4	5	6	P5	P6	P7
6450130-4	D	PM	PM	PM	PM	J	J	J	J	J	J	PM	PM	PM
	C					K	K	K	K	K	K			
	B					N	N	N	N	N	N			
	A					S	S	S	S	S	H			
4P + 24S + 3ACP														

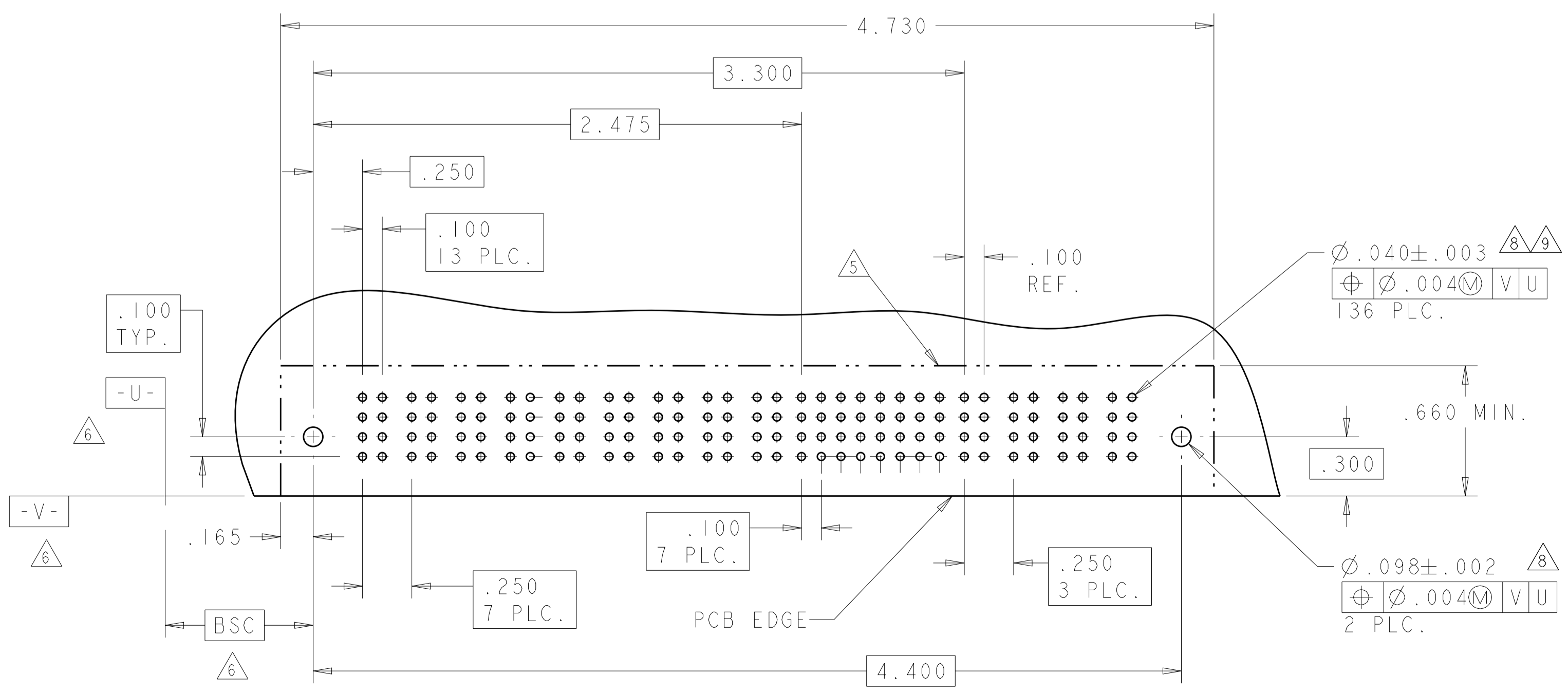


LOC	DIST	REV	DATE	BY	APP'D
ES	00				

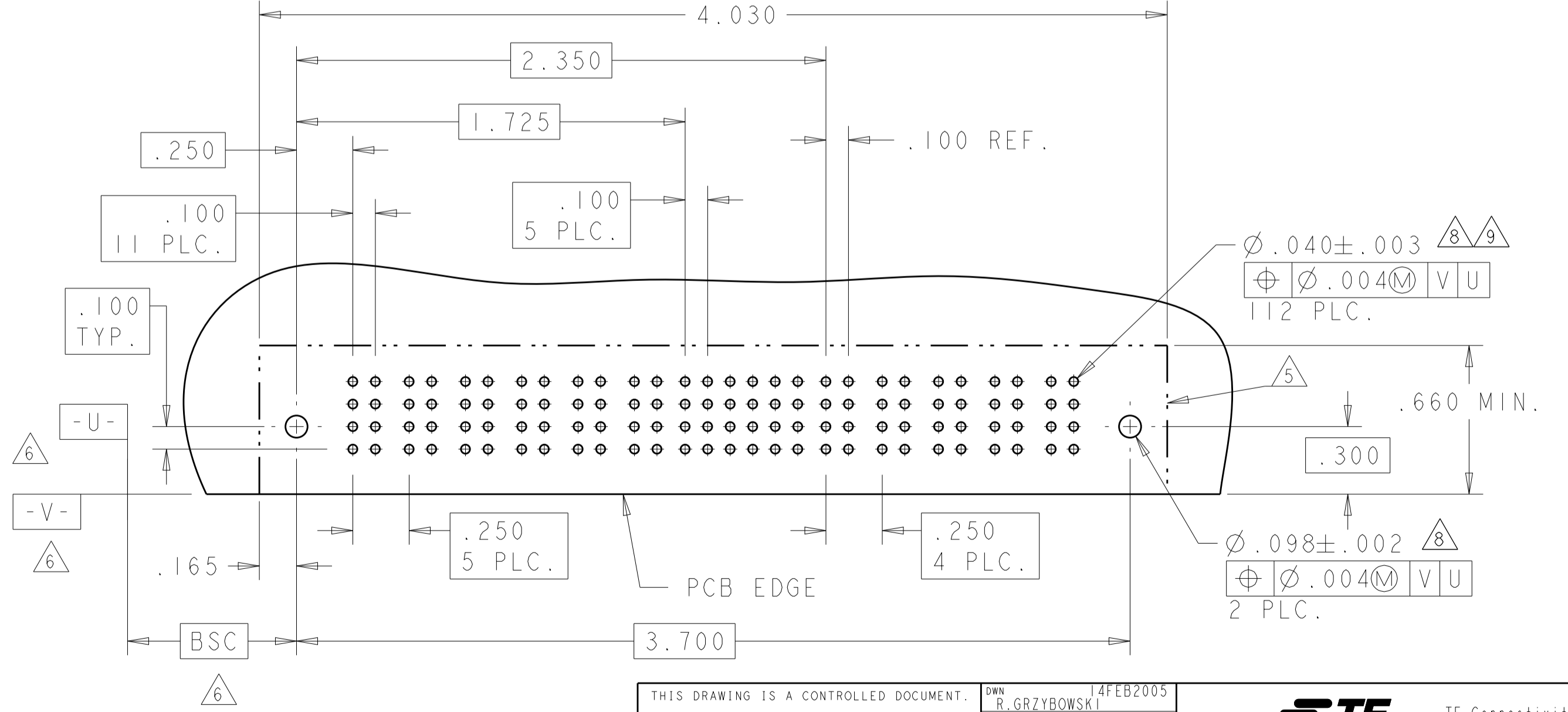
PART NUMBER	ROWS	POWER			SIGNAL						POWER			
		P1	P2	P3	1	2	3	4	5	6	P4	P5	P6	
6450130-6	D	PM	PM	PM	J	J	J	J	J	J	PM	PM	PM	
	C				K	K	K	K	K	K				
	B				N	N	G	N	N	N				
	A				S	S	S	S	S	S				
3P + 24S + 3P														



PART NUMBER	ROWS	POWER									SIGNAL								POWER				
		P1	P2	P3	P4	P5	P6	P7	P8	P9	1	2	3	4	5	6	7	8	P10	P11	P12	P13	
6450130-5	D	PM	PM	PM	PM	PM	PM	PM	PM	J	J	J	J	J	J	J	J	PM	PM	PM	PM		
	C									K	K	K	K	K	K	K	K					K	
	B									N	N	N	N	N	N	N	N					N	N
	A									S	S	S	S	S	S	S	S					S	S
9P + 32S + 4P																							



PART NUMBER	ROWS	POWER						SIGNAL						POWER				
		P1	P2	P3	P4	P5	P6	1	2	3	4	5	6	P7	P8	P9	P10	P11
6450130-7	D	PM	PM	PM	PM	PM	J	J	J	J	J	J	PM	PM	PM	PM	PM	
	C						K	K	F	K	K	K						
	B						N	N	N	N	N	G						
	A						S	S	H	S	S	S						
6P + 24S + 5P																		



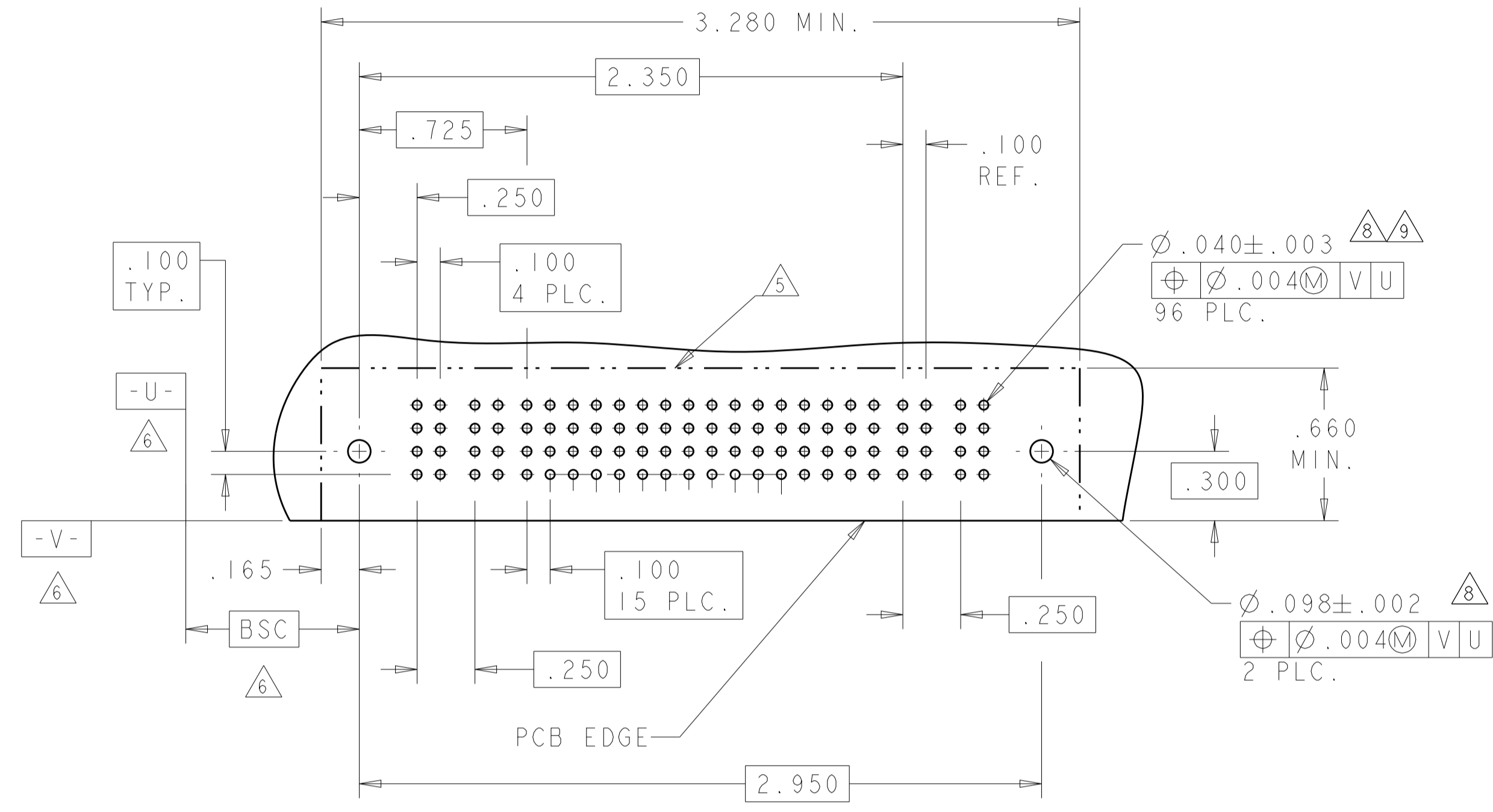
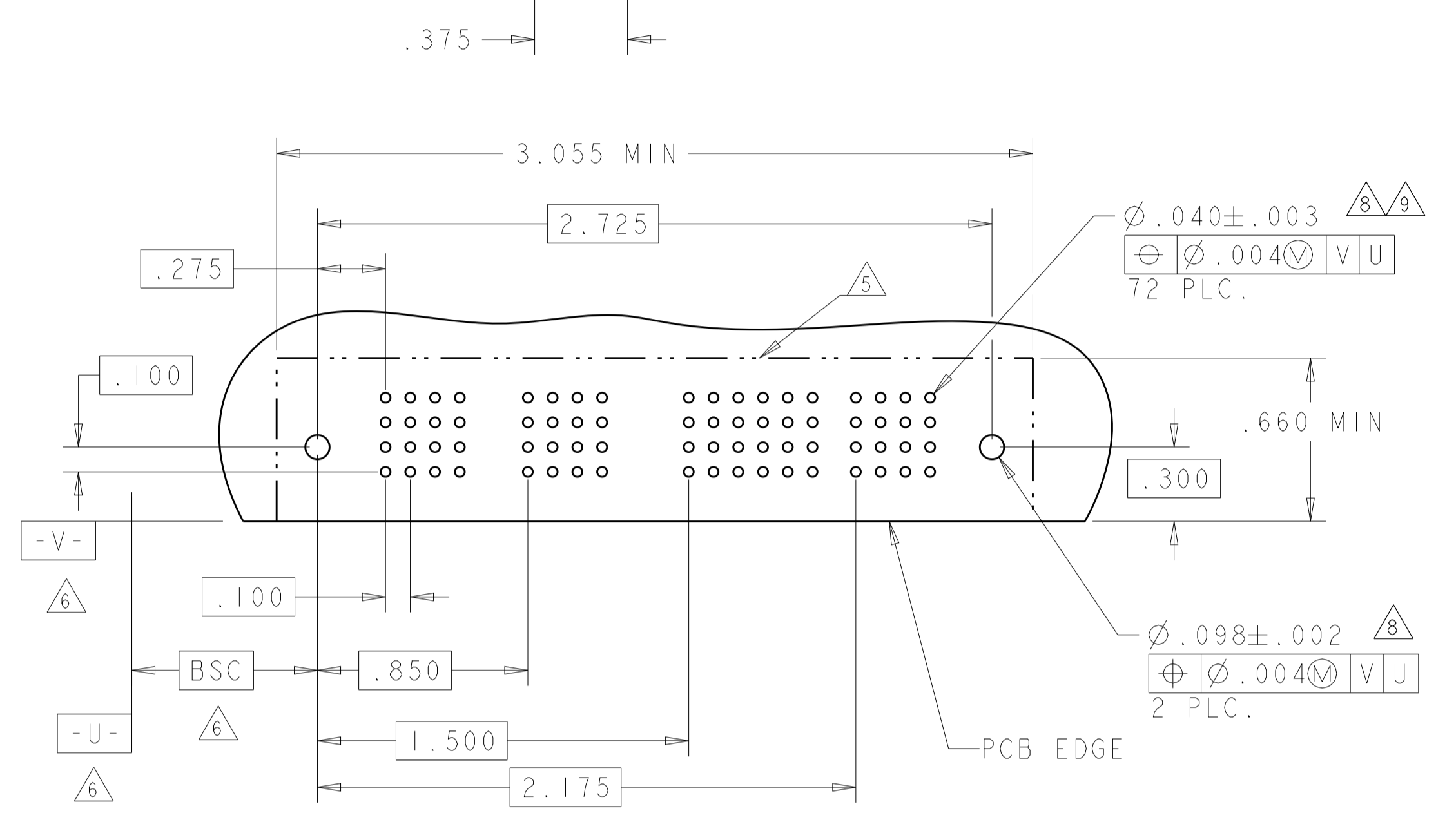
THIS DRAWING IS A CONTROLLED DOCUMENT. DIMENSIONS: INCHES. TOLERANCES UNLESS OTHERWISE SPECIFIED: 0 PLC ±.01, 1 PLC ±.01, 2 PLC ±.01, 3 PLC ±.005, 4 PLC ±.002, ANGLES ±.002. MATERIAL: FINISH: .

OWN: R. GRZYBOWSKI	DATE: 14FEB2005		TE Connectivity
CHK: M. PERCHERKE	DATE: 14FEB2005		RIGHT ANGLE HEADER ASSEMBLY W/GUIDES MULTI-BEAM XL
APVD: M. PERCHERKE	DATE: 14FEB2005	SIZE: A1	CAGE CODE: 6450130
PRODUCT SPEC: 108-1973	APPLICATION SPEC: 114-13038	SCALE: 4:1	SHEET 4 OF 28
WEIGHT: .	Customer Drawing	REV: M2	

LOC				DIST				REVISIONS				
ES	00	P	LTM	DESCRIPTION	DATE	OWN	APVD					
				SEE SHEET 1								

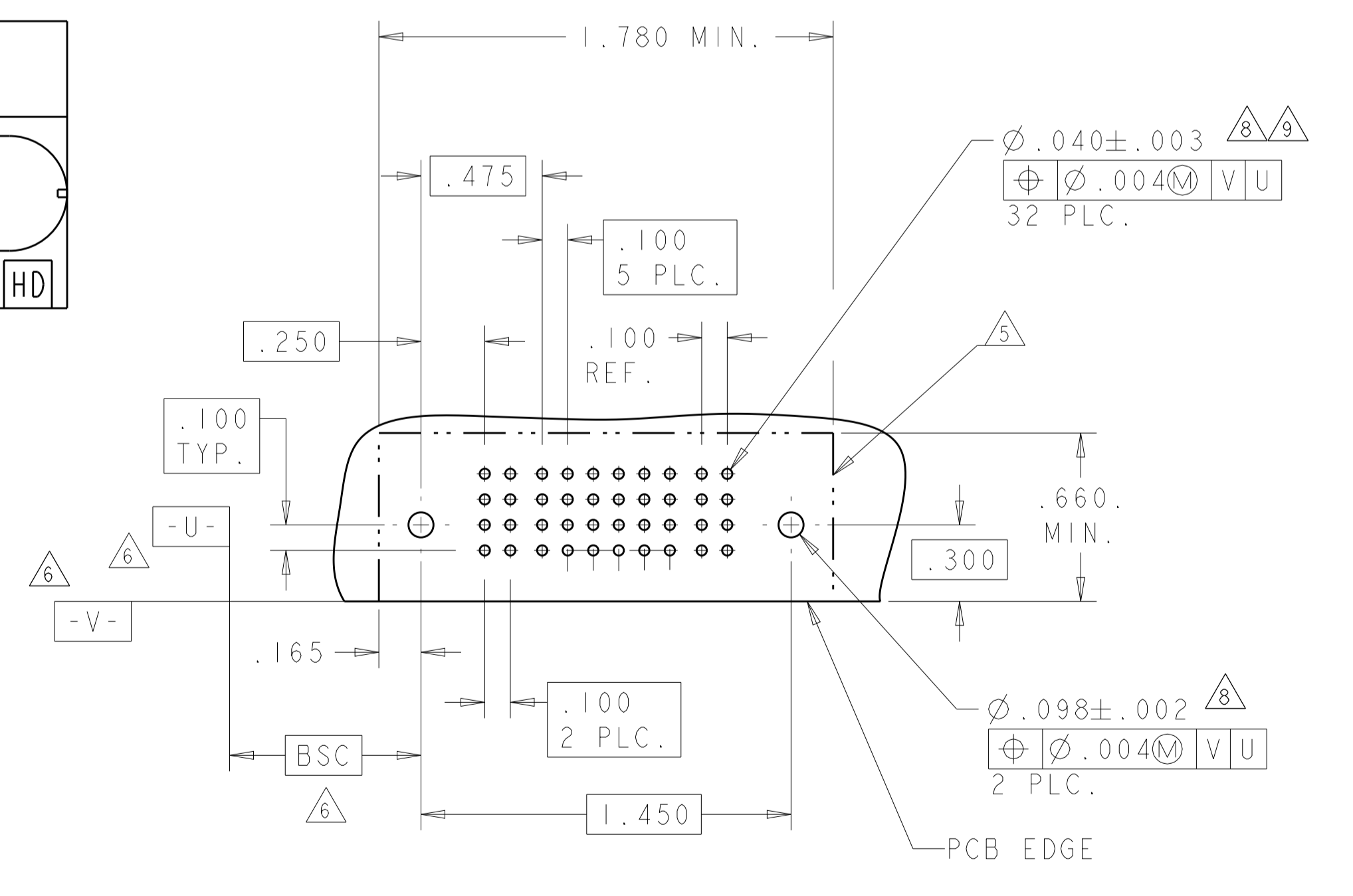
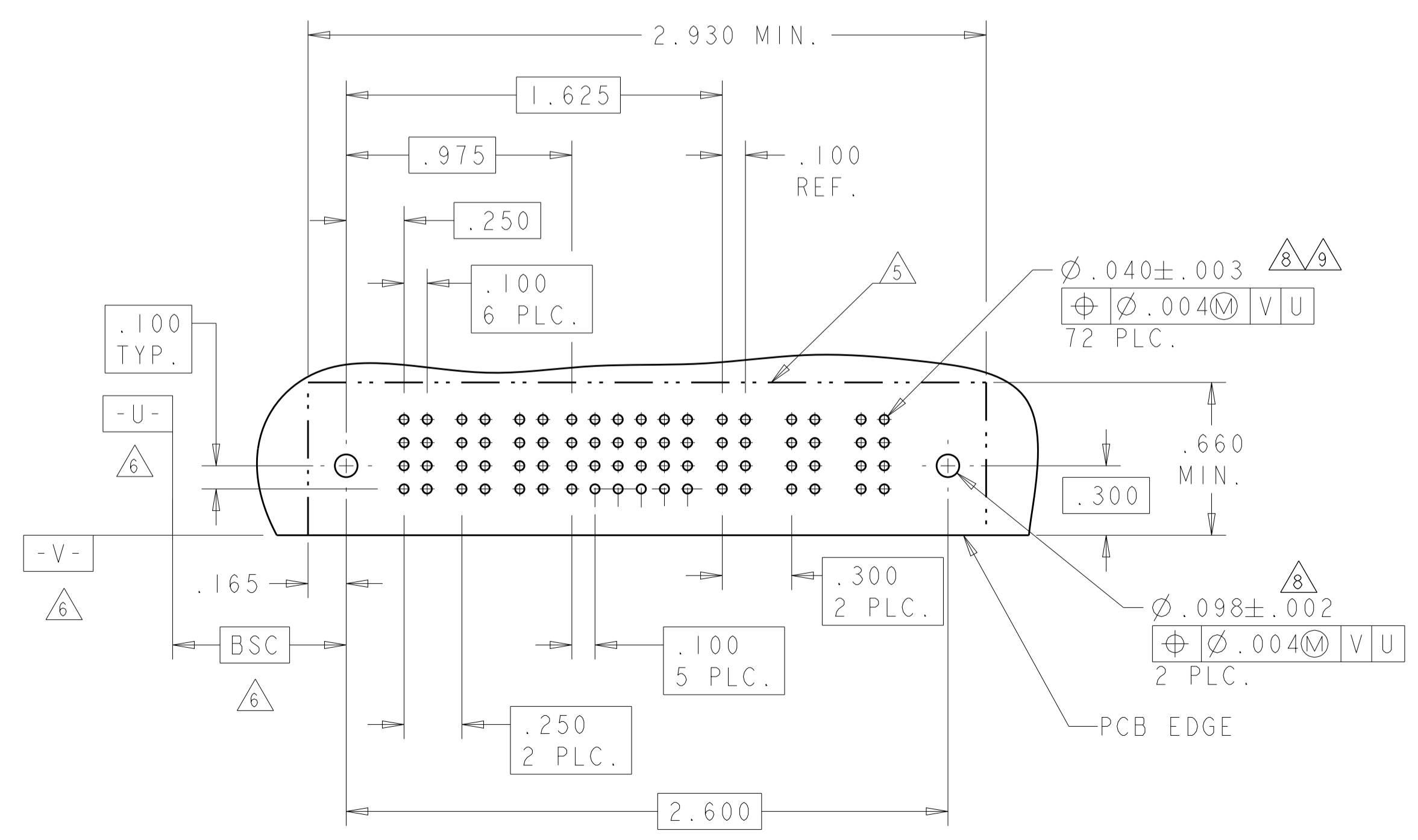
PART NUMBER	ROWS	POWER					SIGNAL						POWER	
		P1	P2	P3	P4	P5	1	2	3	4	5	6	P6	P7
6450130-8	D C B A	PM	PM	PM	PM	J	J	J	J	J	J	PM	PM	
						K	K	K	K	K	K			
						N	N	N	N	N	N			
						S	S	S	S	S	S			

PART NUMBER	ROWS	POWER		SIGNAL												POWER													
		P1	P2	1	2	3	4	5	6	7	8	9	10	11	12	13	14	15	16	P3	P4								
1-6450130-0	D C B A	PA	PA	A	4	A	4	A	4	A	4	A	4	A	4	A	4	A	4	A	4	A	4	PA	PA				
				A	3	A	3	A	3	A	3	A	3	A	3	A	3	A	3	A	3	A	3	A	3	A	3		
				A	2	A	2	A	2	A	2	A	2	A	2	A	2	A	2	A	2	A	2	A	2	A	2	A	2
				A	1	A	1	A	1	A	1	A	1	A	1	A	1	A	1	A	1	A	1	A	1	A	1	O	O



PART NUMBER	ROWS	POWER			SIGNAL						POWER					
		P1	P2	P3	1	2	3	4	5	6	P4	P5	P6			
6450130-9	D C B A	PA	PA	PA	Z	A	4	A	4	A	4	A	4	PA	PA	PA
					Y	A	3	A	3	A	3	A	3			
					R	A	2	A	2	A	2	A	2			
					O	A	1	A	1	A	1	A	1			

PART NUMBER	ROWS	POWER		SIGNAL						POWER									
		P1	P2	1	2	3	4	5	6	P2	P1								
1-6450130-1	D C B A	PA	PA	A	4	A	4	A	4	A	4	A	4	A	4	PA	PA		
				A	3	A	3	A	3	A	3	A	3	A	3	A	3		
				A	2	A	2	A	2	A	2	A	2	A	2	A	2	A	2
				A	1	A	1	A	1	A	1	A	1	A	1	A	1	O	O

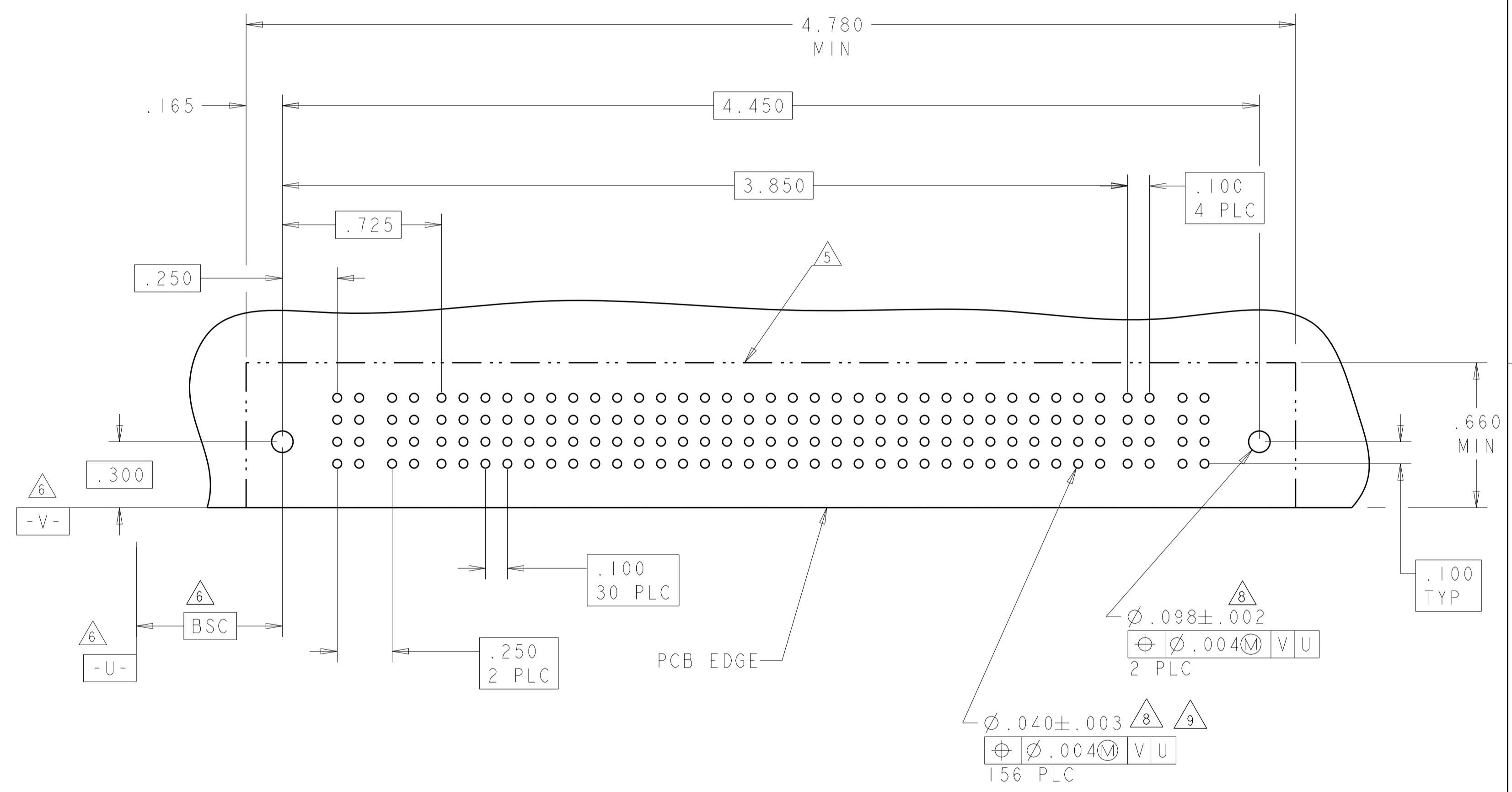
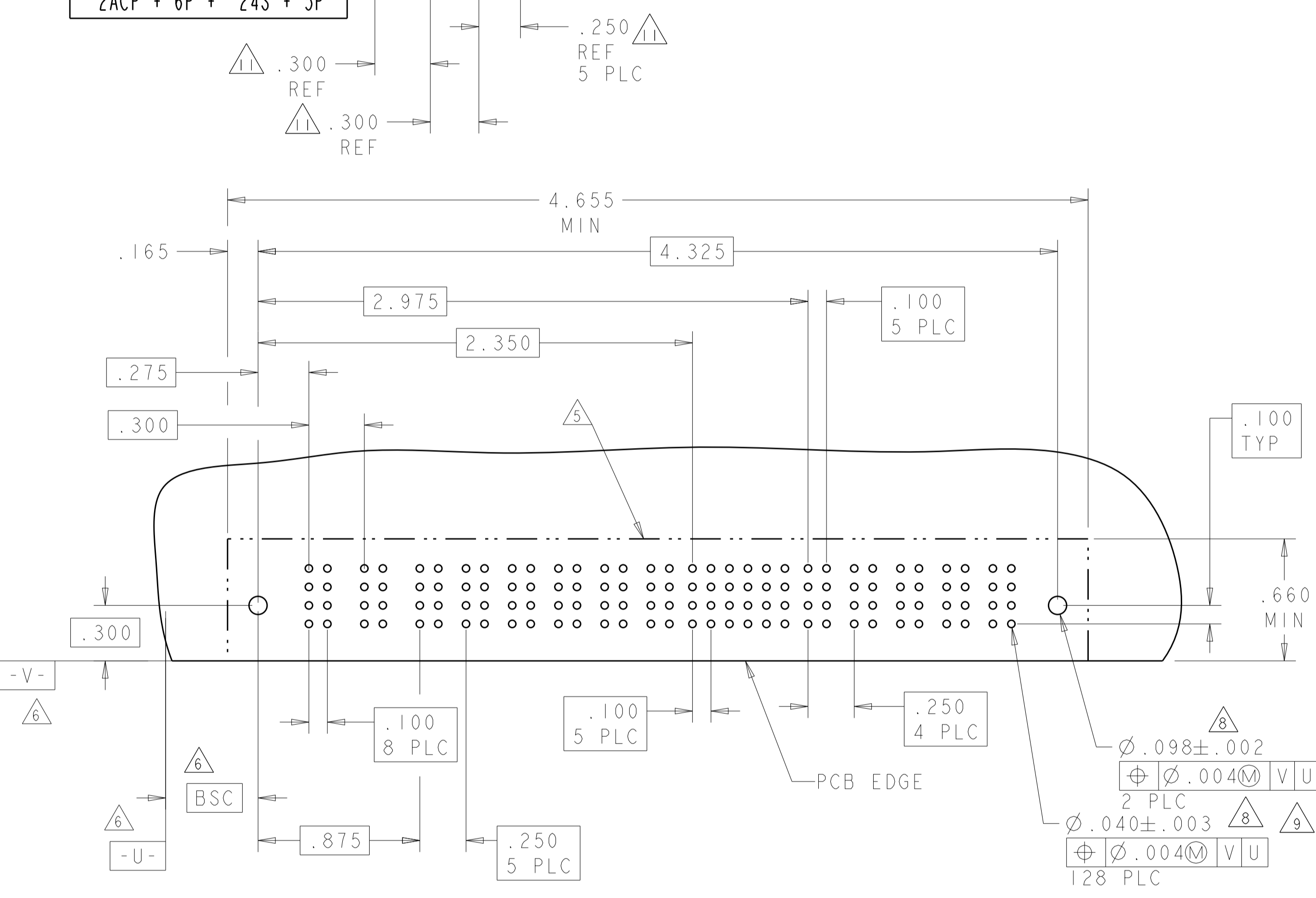


THIS DRAWING IS A CONTROLLED DOCUMENT.			OWN: R. GRZYBOWSKI 4 FEB 2005	 TE Connectivity	NAME: RIGHT ANGLE HEADER ASSEMBLY W/GUIDES MULTI-BEAM XL
DIMENSIONS: INCHES			CHK: M. PERCHERKE 14 FEB 2005		PRODUCT SPEC: 108-1973
TOLERANCES UNLESS OTHERWISE SPECIFIED:			APVD: M. PERCHERKE 14 FEB 2005		APPLICATION SPEC: 114-13038
0 PLC $\pm .01$ 1 PLC $\pm .01$ 2 PLC $\pm .01$ 3 PLC $\pm .01$ 4 PLC $\pm .01$ ANGLES $\pm .002$			SIZE: 114-13038		RESTRICTED TO: -
MATERIAL: -			WEIGHT: -		SCALE: 4:1

LOC	DIST	REV	DATE	BY	APPV
ES	00				
REVISIONS					
DESCRIPTION			DATE	BY	APPV
SEE SHEET 1					

PART NUMBER	ROWS	POWER							SIGNAL						POWER				
		P1	P2	P3	P4	P5	P6	P7	P8	1	2	3	4	5	6	P9	P10	P11	P12
I-6450130-8	D	PM	PM	PM	PM	PM	PM	PM	E	J	J	J	J	E	PM	PM	PM	PM	PM
	K								K	F	K	K	K						
	N								N	N	G	N	N						
	H								S	S	S	S	H						
C	A	PM	PM	PM	PM	PM	PM							PM	PM	PM	PM	PM	
B																			
A																			

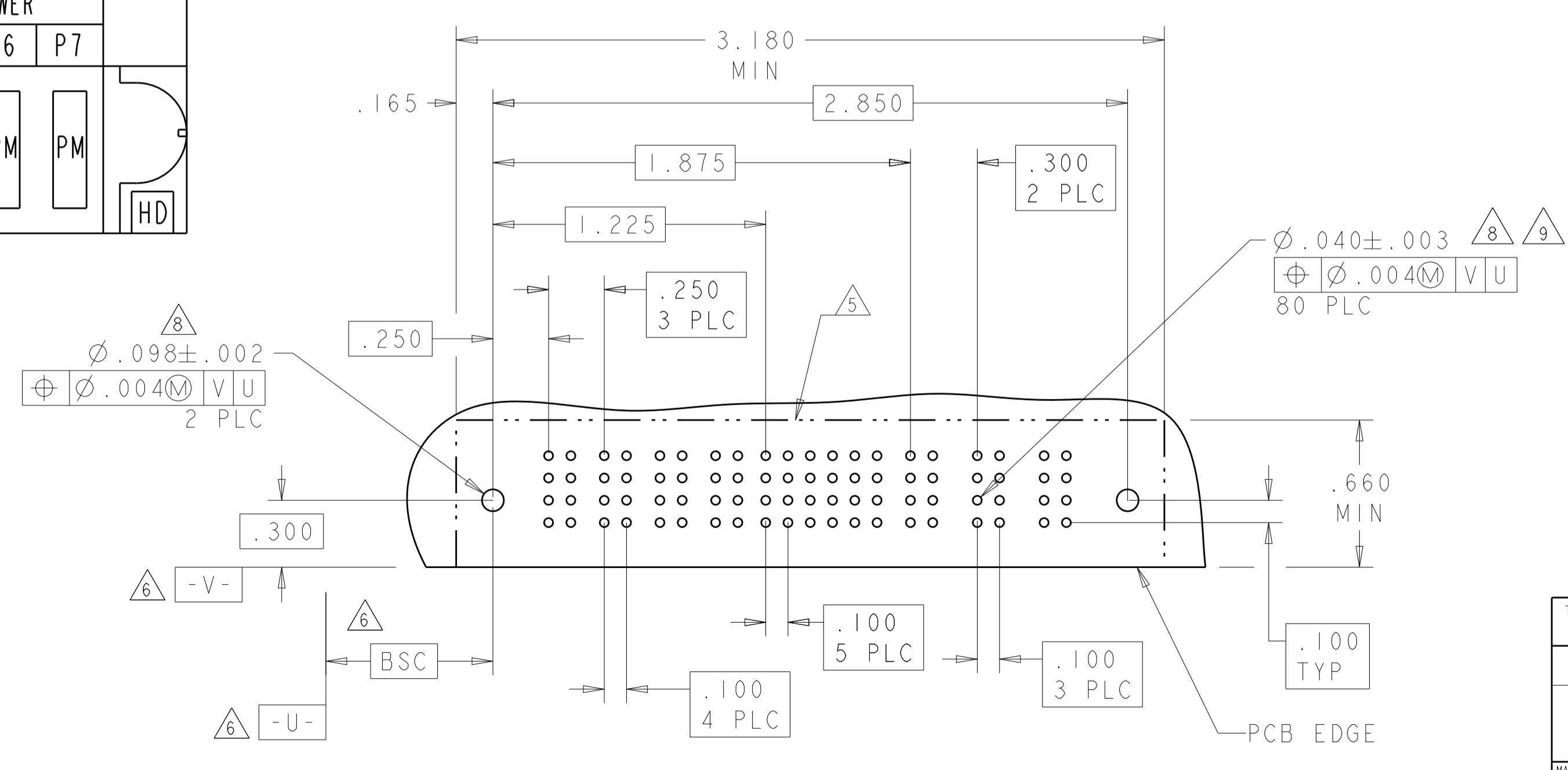
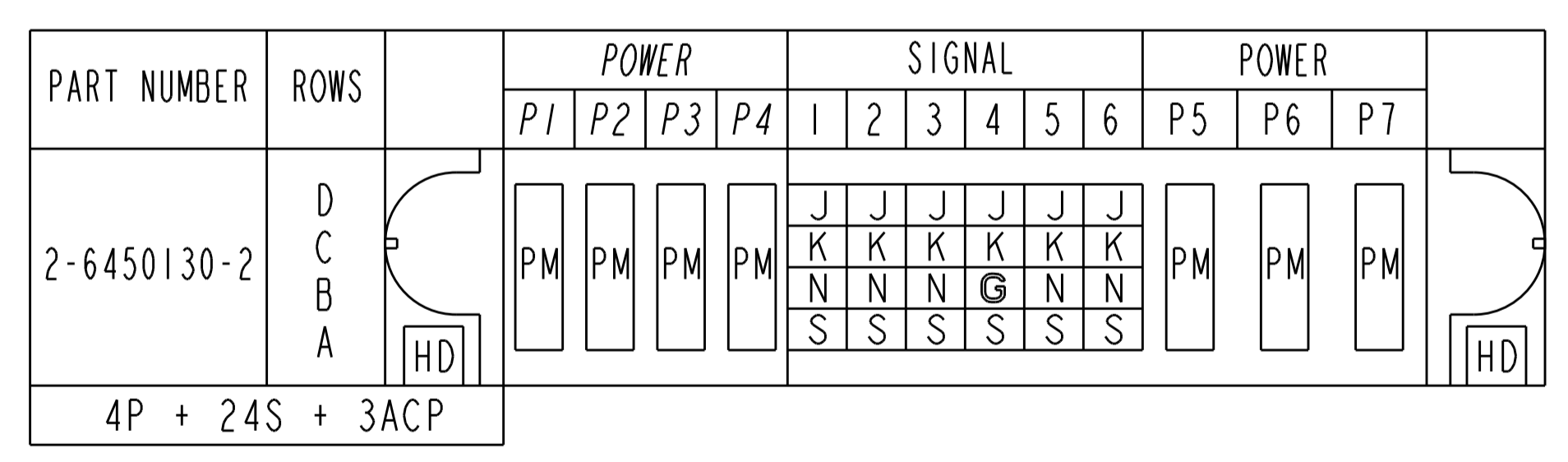
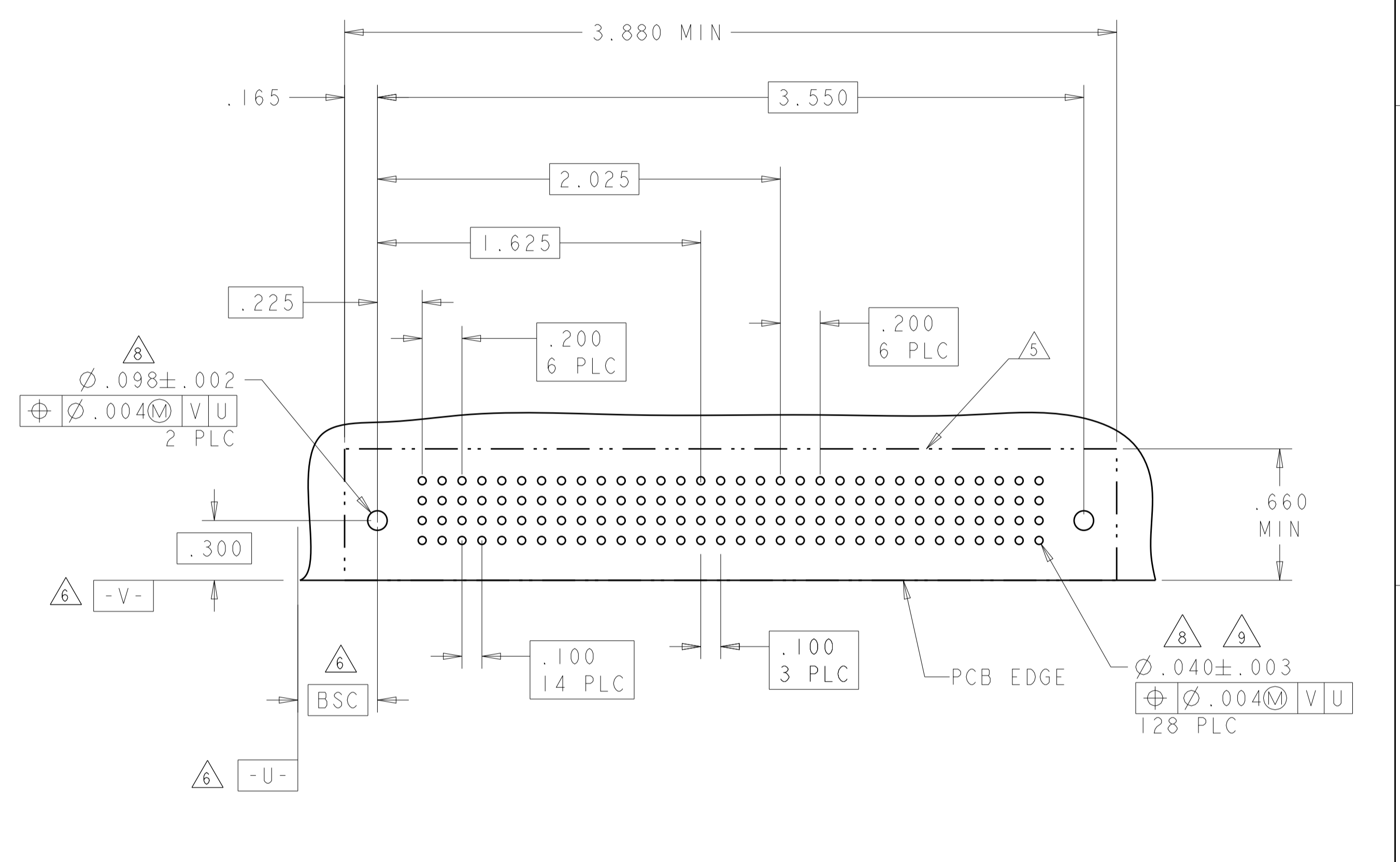
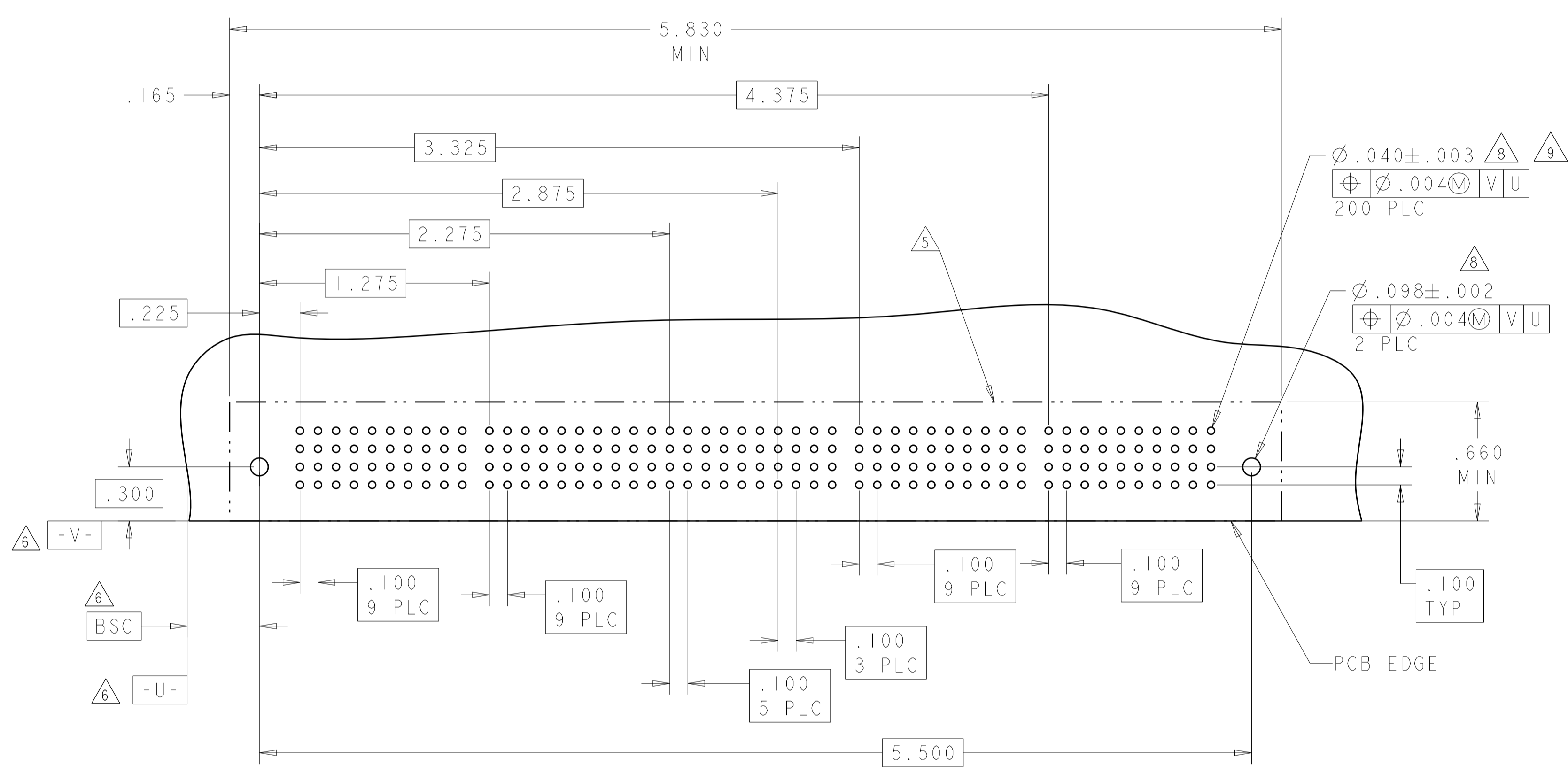
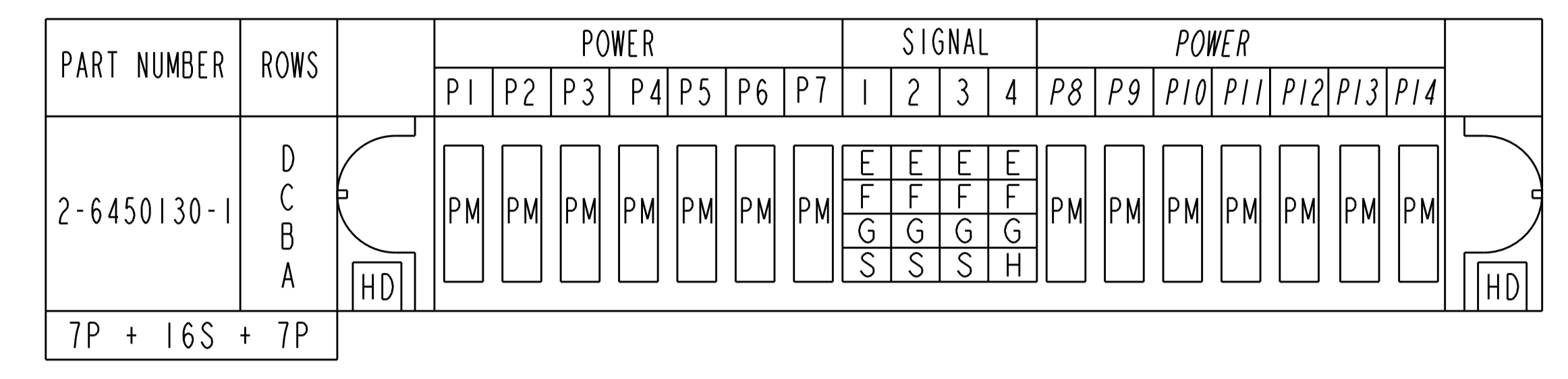
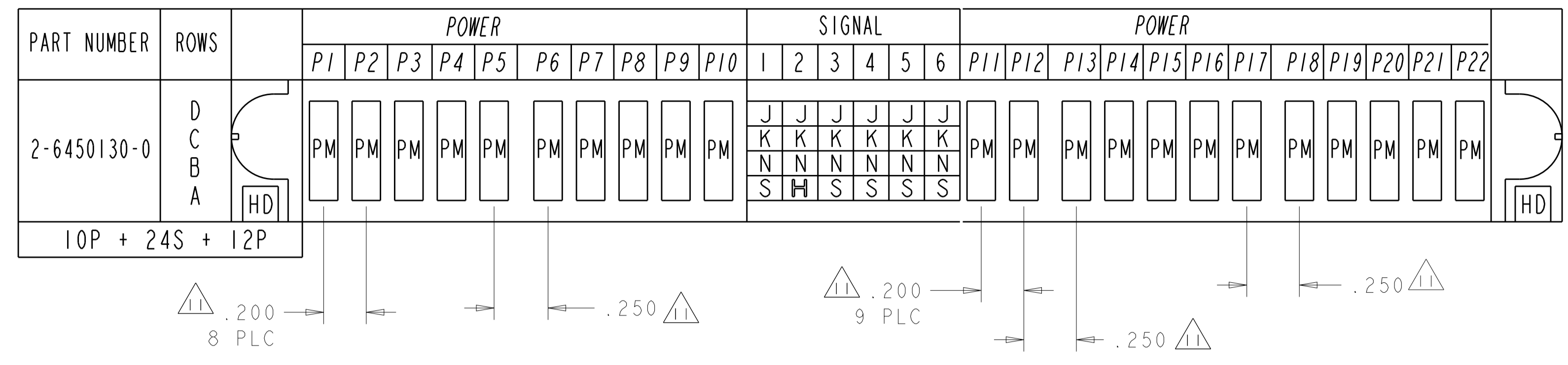
PART NUMBER	ROWS	POWER		SIGNAL																															POWER								
		P1	P2	1	2	3	4	5	6	7	8	9	10	11	12	13	14	15	16	17	18	19	20	21	22	23	24	25	26	27	28	29	30	31	P3	P4							
I-6450130-9	D	PA	PA	Z	A4	A4	A4	A4	A4	A4	A4	A4	A4	A4	A4	A4	A4	A4	A4	A4	A4	A4	A4	A4	A4	A4	A4	A4	A4	A4	A4	A4	A4	A4	A4	Z	PA	PA					
	Y			A3	A3	A3	A3	A3	A3	A3	A3	A3	A3	A3	A3	A3	A3	A3	A3	A3	A3	A3	A3	A3	A3	A3	A3	A3	A3	A3	A3	A3	A3	A3	A3	Y							
	R			A2	A2	A2	A2	A2	A2	A2	A2	A2	A2	A2	A2	A2	A2	A2	A2	A2	A2	A2	A2	A2	A2	A2	A2	A2	A2	A2	A2	A2	A2	A2	A2	A2			R	A2			
	A			A1	A1	A1	A1	A1	A1	A1	A1	A1	A1	A1	A1	A1	A1	A1	A1	A1	A1	A1	A1	A1	A1	A1	A1	A1	A1	A1	A1	A1	A1	A1	A1	A1			A1	A1	A1		
C	A	PA	PA																																			PA	PA				
B																																											
A																																											



THIS DRAWING IS A CONTROLLED DOCUMENT.		DWN: R. GRZYBOWSKI 14FEB2005 CHK: M. PERCZERKE 14FEB2005 APV: M. PERCZERKE 14FEB2005	TE Connectivity
DIMENSIONS: INCHES	TOLERANCES UNLESS OTHERWISE SPECIFIED: 0 PLC ±. 1 PLC ±.01 2 PLC ±.01 3 PLC ±.005 4 PLC ±.0020 ANGLES ±.020	PRODUCT SPEC: 108-1973 APPLICATION SPEC: 114-13038 WEIGHT:	
MATERIAL:	FINISH:	Customer Drawing	RESTRICTED TO:

LOC	DIST	REV	DATE	BY	APPV
ES	00				

REVISIONS			
NO.	DESCRIPTION	DATE	BY
1	SEE SHEET 1		



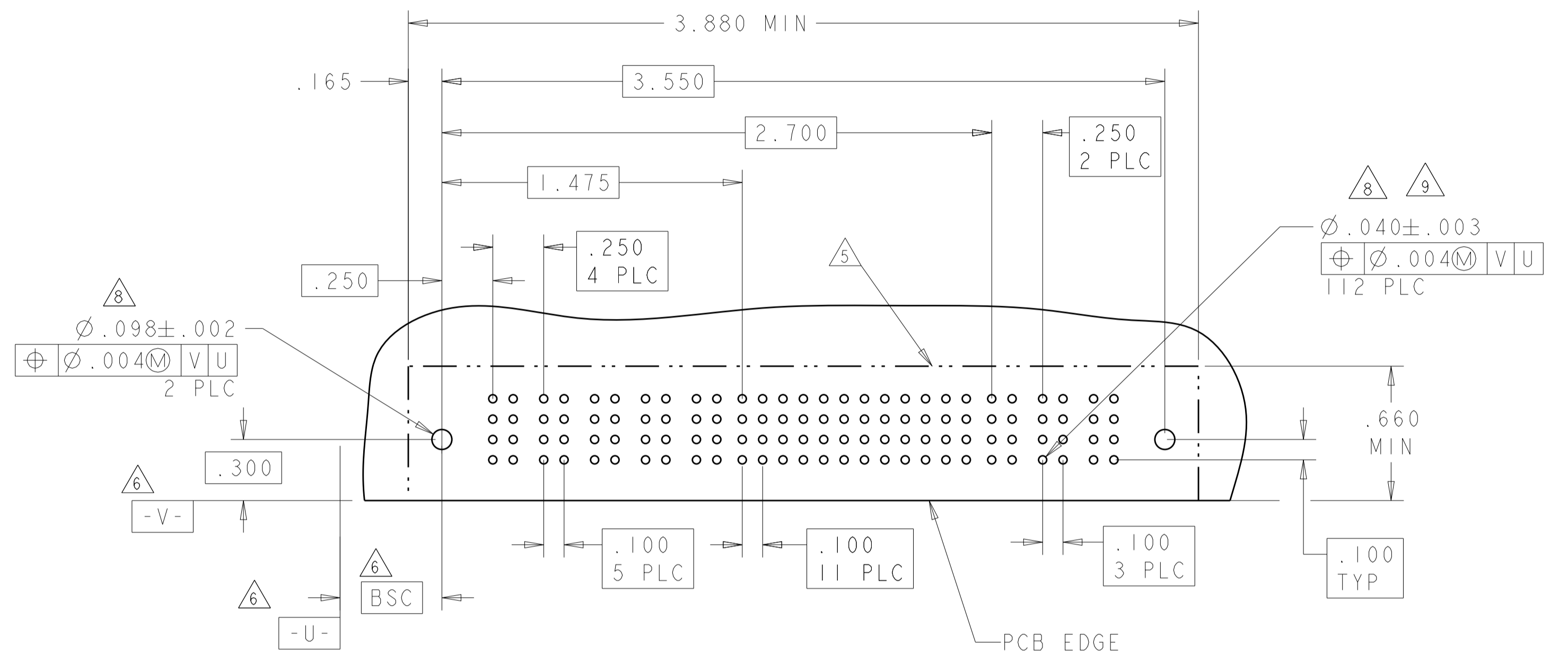
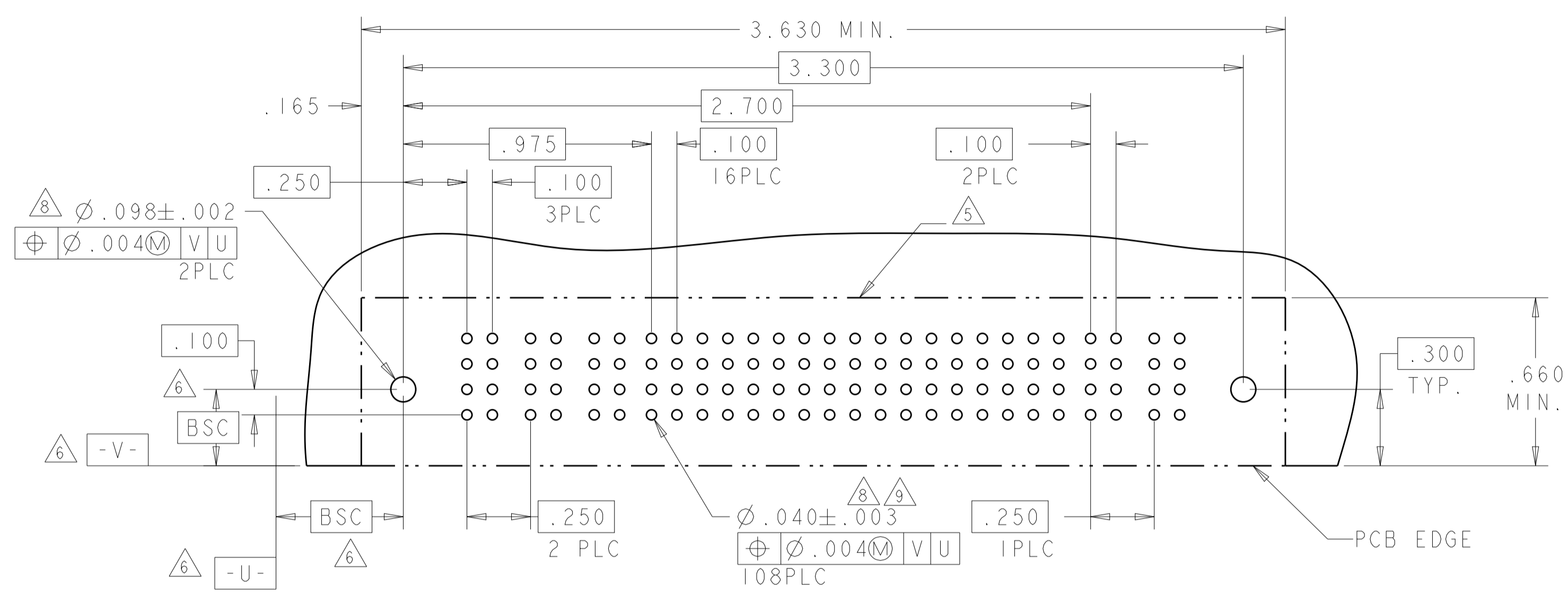
THIS DRAWING IS A CONTROLLED DOCUMENT.		OWN: R. GRZYBOWSKI 14FEB2005	 TE Connectivity
DIMENSIONS: INCHES		CHK: M. PERCHERKE 14FEB2005	
TOLERANCES UNLESS OTHERWISE SPECIFIED:		APPV: M. PERCHERKE 14FEB2005	NAME: RIGHT ANGLE HEADER ASSEMBLY W/GUIDES MULTI-BEAM XL
0 PLC ±.01		PRODUCT SPEC: 108-1973	SIZE: CAGE CODE DRAWING NO: A100779C=6450130
1 PLC ±.01		APPLICATION SPEC: 114-13038	RESTRICTED TO: -
2 PLC ±.01		WEIGHT: -	SCALE: 4:1 SHEET 8 OF 28 REV: M2
3 PLC ±.005		Customer Drawing	
4 PLC ±.002			
ANGLES ±.020			
FINISH: -			

LOC	DIST	REV	DATE	APPD
ES	00			

REVISIONS		DATE	OWN	APPD
1	SEE SHEET 1			

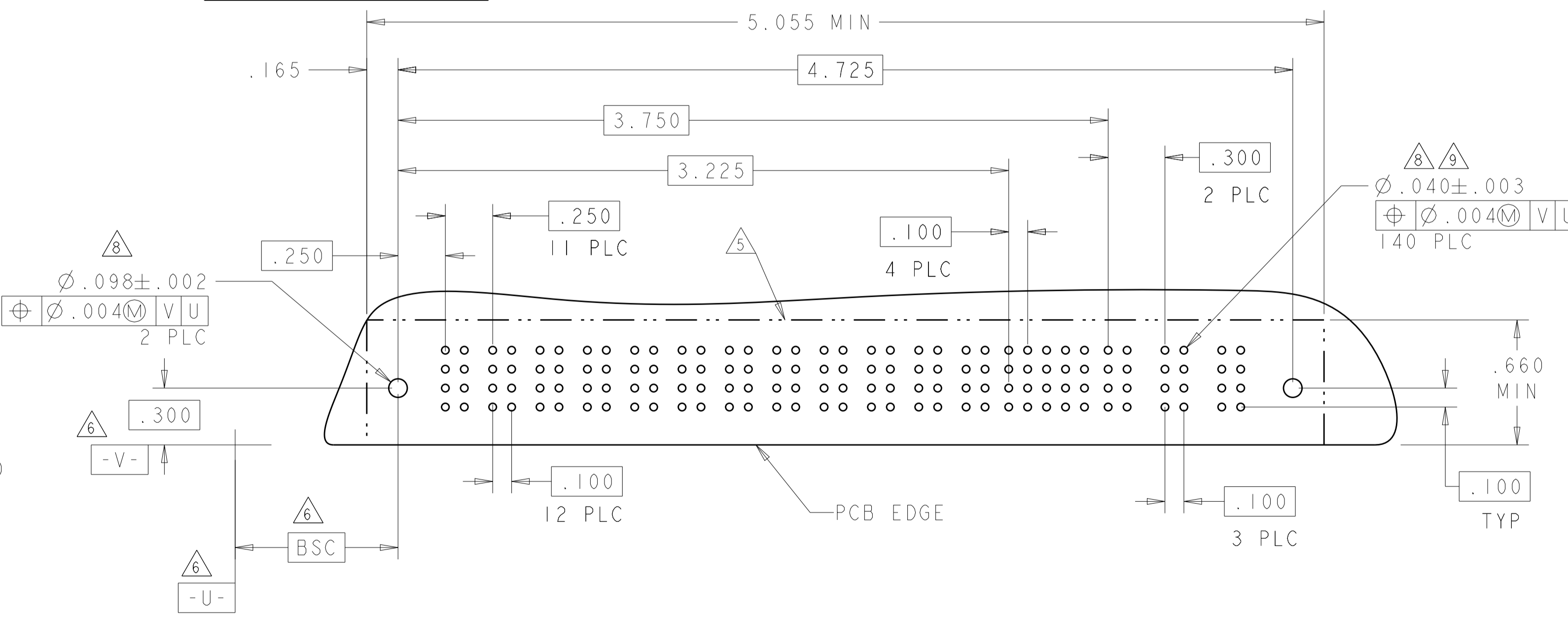
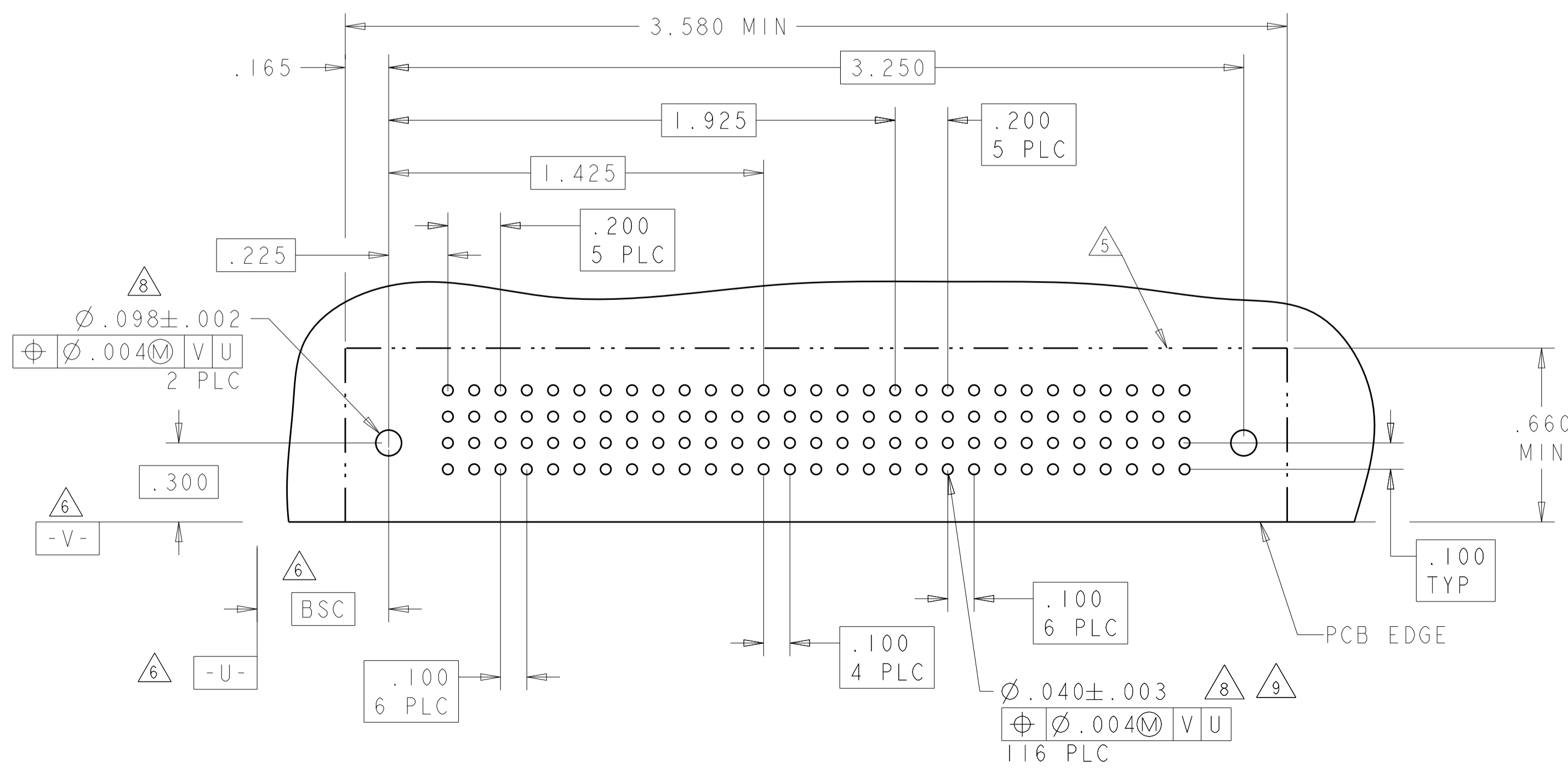
PART NUMBER	ROWS	POWER			SIGNAL													POWER											
		P1	P2	P3	1	2	3	4	5	6	7	8	9	10	11	12	13	14	15	16	17	P4	P5						
2-6450130-8	D	PM	PM	PM	J	J	J	J	J	J	J	J	J	J	J	J	J	J	J	J	J	J	J	J	J	J	PM	PM	
	C				K	K	K	K	K	K	K	K	K	K	K	K	K	K	K	K	K	K	K	K	K	K			K
	B				N	N	N	N	N	N	N	N	N	N	N	N	N	N	N	N	N	N	N	N	N	N			N
A	HD				S	S	S	S	S	S	S	S	S	S	S	S	S	S	S	S	S	S	S	S	S	S			
3P + 68S + 2P																													

PART NUMBER	ROWS	POWER					SIGNAL												POWER														
		P1	P2	P3	P4	P5	1	2	3	4	5	6	7	8	9	10	11	12	P6	P7	P8												
3-6450130-2	D	PM	PM	PM	PM	PM	J	J	J	J	J	J	J	J	J	J	J	J	J	J	J	J	J	J	J	J	J	PM	PM	PM			
	C						K	K	K	K	K	K	K	K	K	K	K	K	K	K	K	K	K	K	K	K	K				K	K	K
	B						N	N	N	N	N	N	N	N	N	N	N	N	N	N	N	N	N	N	N	N	N				N	N	N
A	HD						H	S	S	S	S	S	S	S	S	S	S	S	S	S	S	S	S	S	S	H							
5P + 48S + 3P																																	



PART NUMBER	ROWS	POWER						SIGNAL					POWER						
		P1	P2	P3	P4	P5	P6	1	2	3	4	5	P7	P8	P9	P10	P11	P12	
2-6450130-3	D	PM	PM	PM	PM	PM	E	J	J	J	J	PM	PM	PM	PM	PM	PM	PM	
	C						F	K	K	K	K								PM
	B						G	N	N	N	N								
	A						H	S	S	S	H								
6P + 20S + 6P																			

PART NUMBER	ROWS	POWER												SIGNAL					POWER														
		P1	P2	P3	P4	P5	P6	P7	P8	P9	P10	P11	P12	1	2	3	4	5	P13	P14	P15												
3-6450130-6	D	PM	PM	PM	PM	PM	PM	PM	PM	PM	PM	PM	PM	PM	PM	PM	PM	PM	PM	PM	PM	PM	PM	PM	PM	PM	PM						
	C																											E	E	J	J	J	PM
	B																											K	K	F	K	K	
	A																											N	N	N	N	N	
12P + 20S + 3ACP																																	



THIS DRAWING IS A CONTROLLED DOCUMENT.

OWN: R. GRZYBOWSKI 14FEB2005
 CHK: M. PERCHERKE 14FEB2005
 APVD: M. PERCHERKE 14FEB2005

TE Connectivity

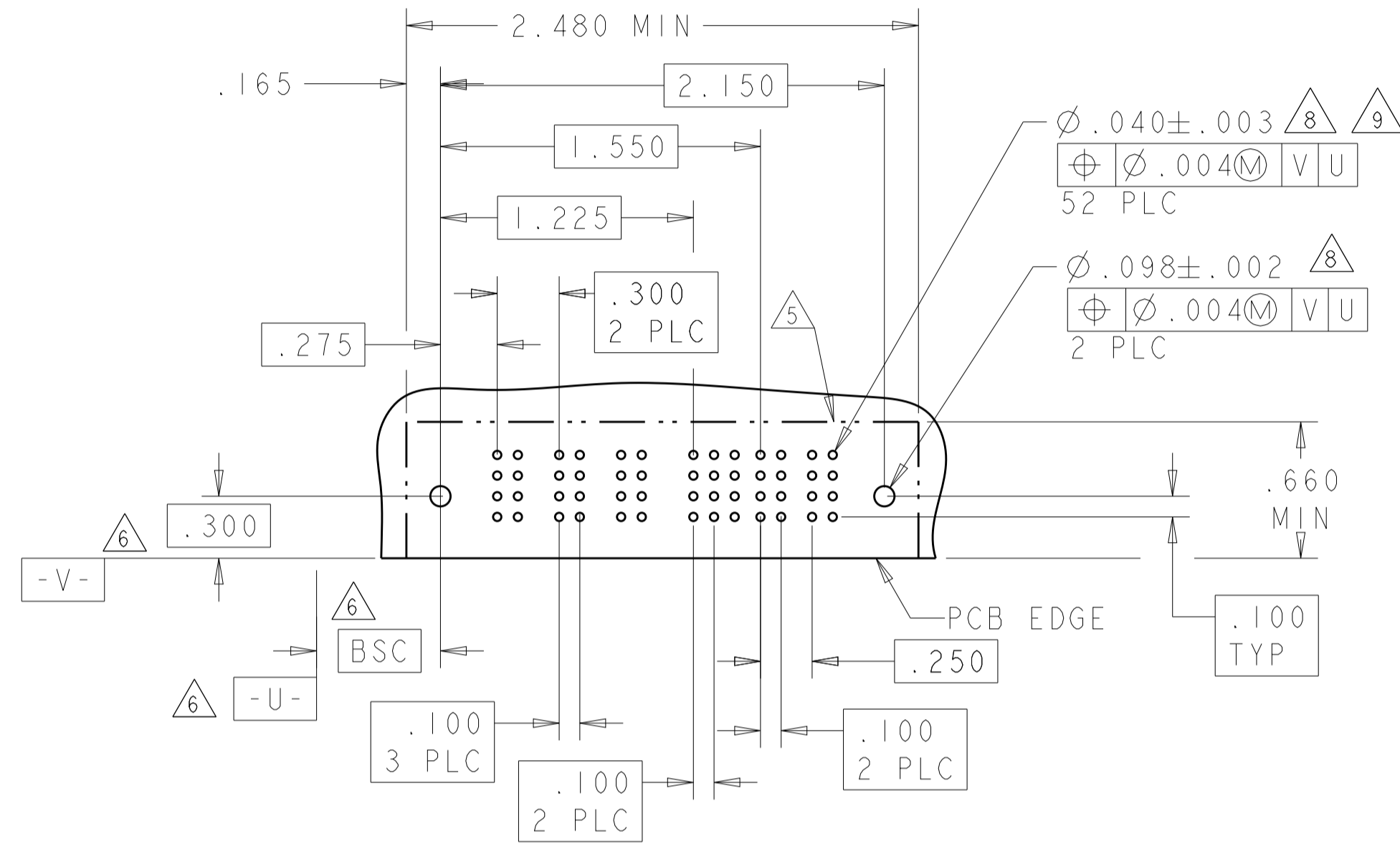
RIGHT ANGLE HEADER ASSEMBLY W/GUIDES MULTI-BEAM XL

SIZE: 114-13038
 WEIGHT: A100779
 SCALE: 4:1

PART NUMBER	ROWS	POWER			SIGNAL				POWER	
		P1	P2	P3	1	2	3	4	P4	P5
3-6450130-9	D C B A	PM	PM	PM	J	J	J		PM	PM
					K	K	K			
					N	N	N			
					S	S	H			

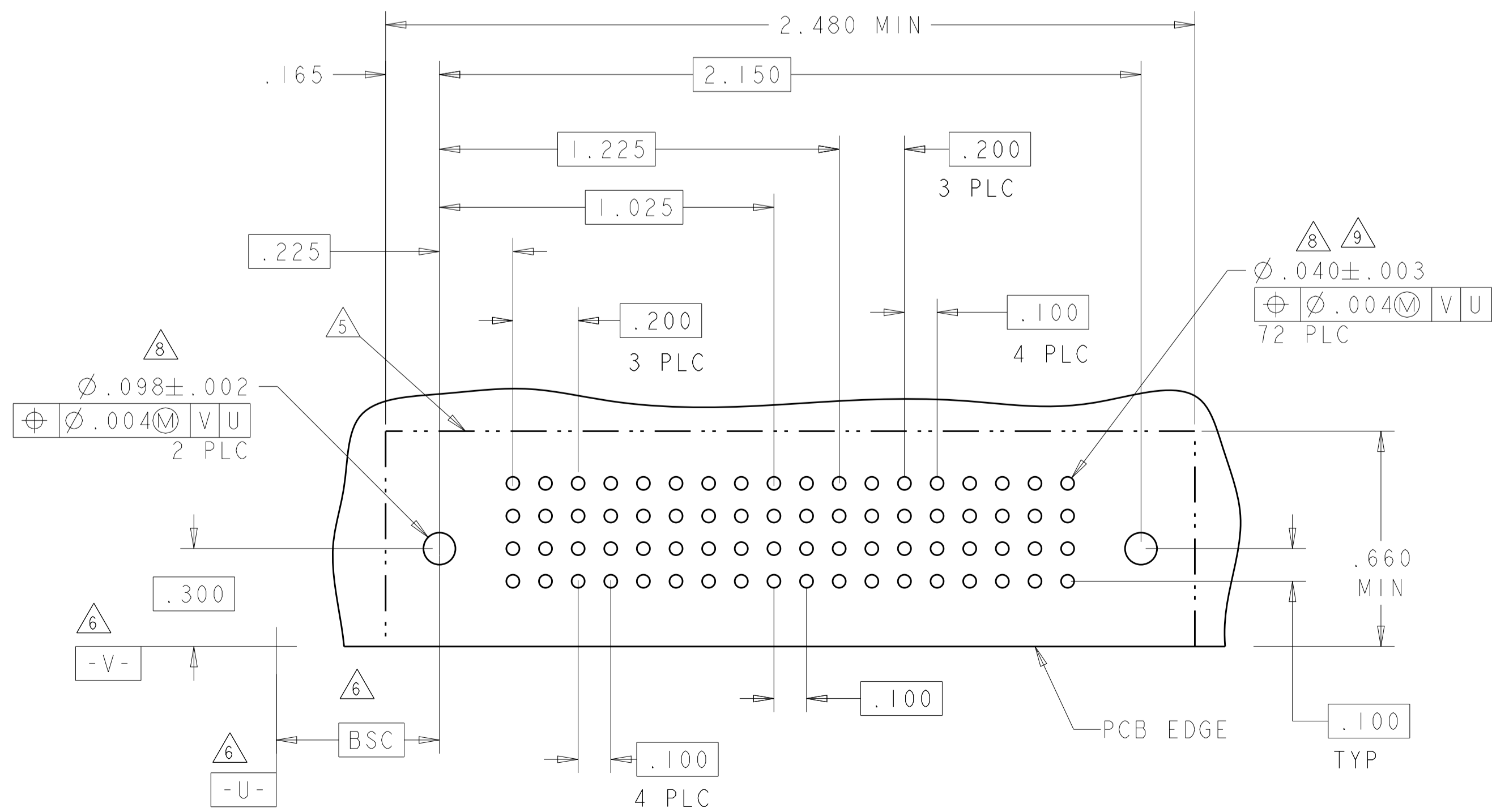
3ACP + 16S + 2P

CONTACTS NOT LOADED



PART NUMBER	ROWS	POWER				SIGNAL				POWER			
		P1	P2	P3	P4	1	2	P5	P6	P7	P8		
4-6450130-0	D C B A	PA	PA	PA	PA	Z	Z	PA	PA	PA	PA		
						Y	Y						
						R	R						
						O	O						

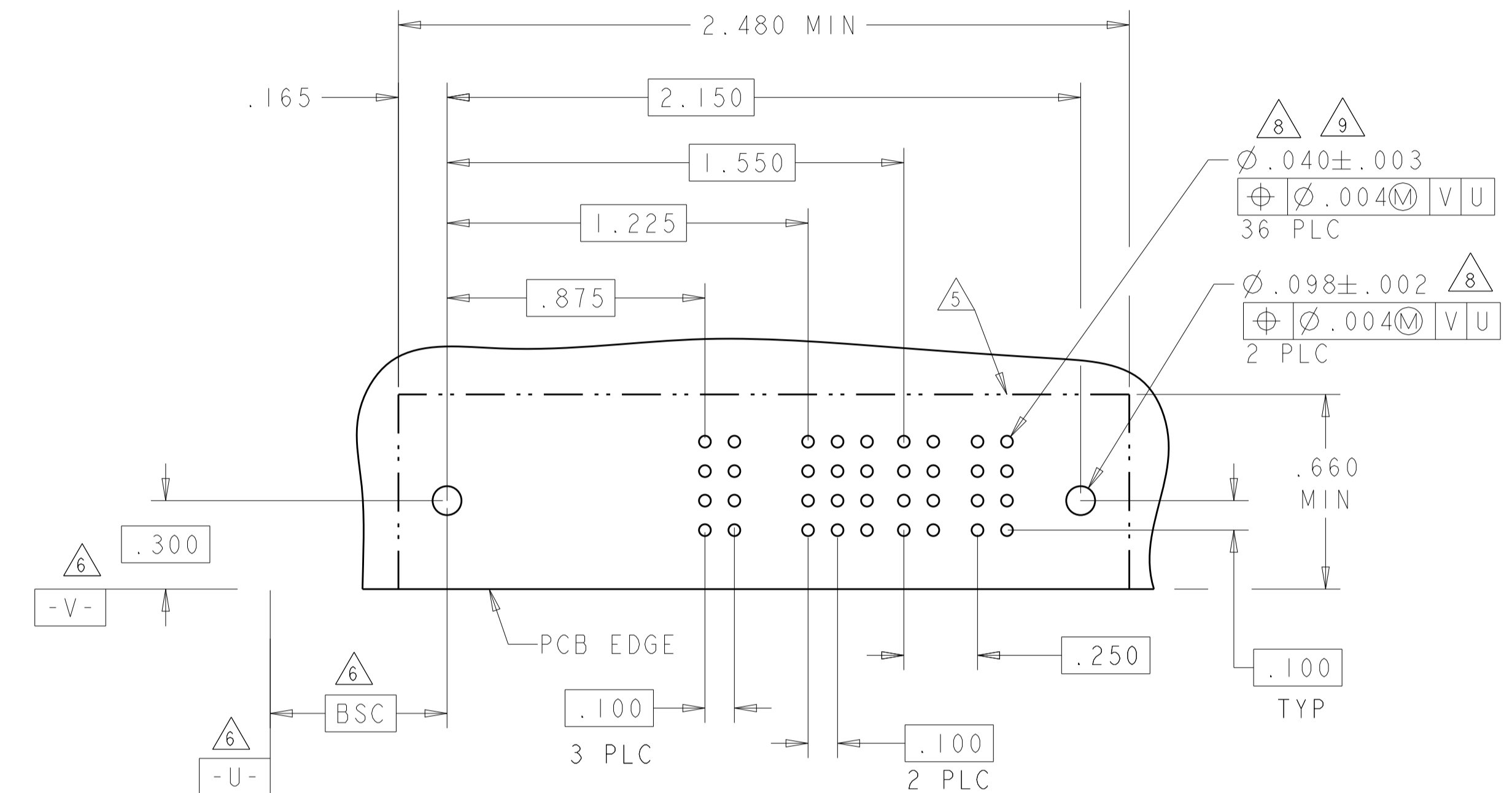
4P + 8S + 4P



LOC	DIST	REV	DATE	BY	APPV
ES	00				

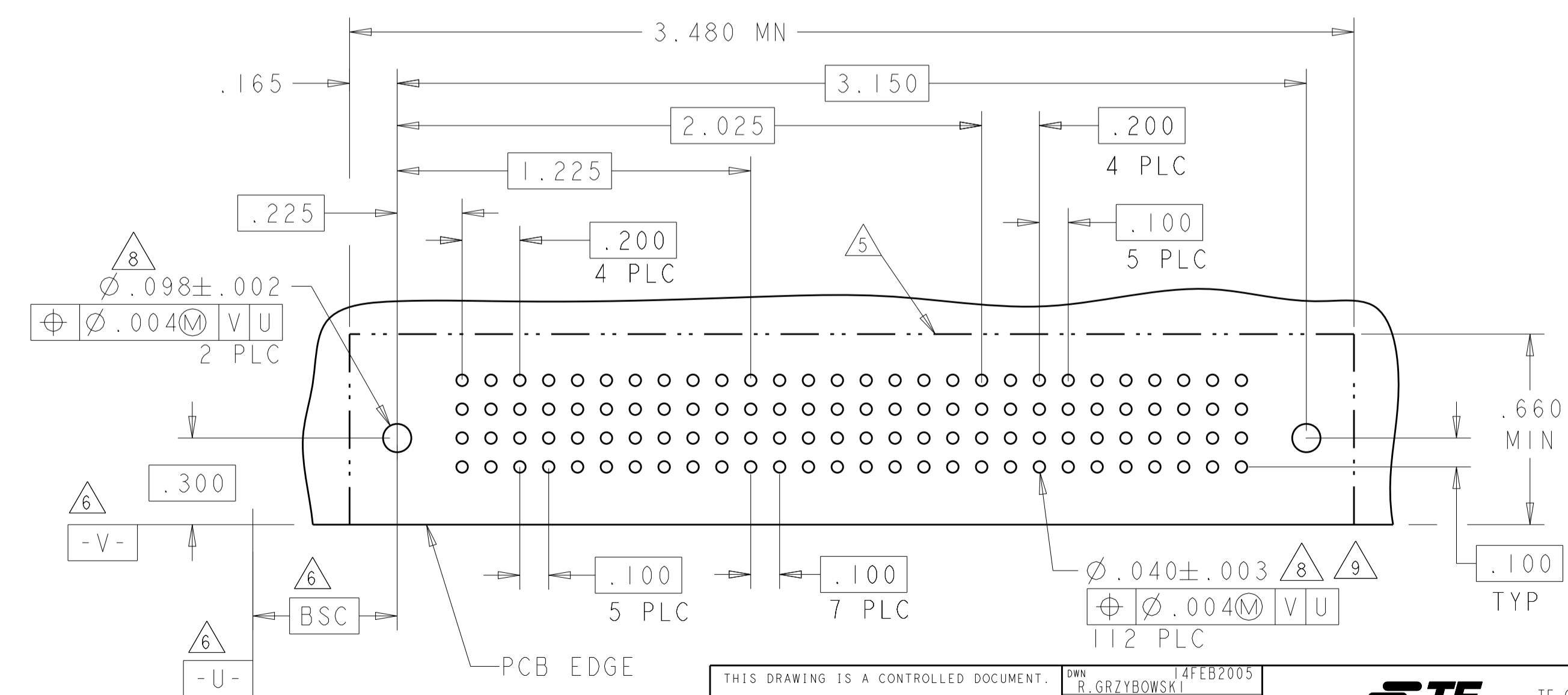
PART NUMBER	ROWS	POWER			SIGNAL				POWER	
		P1	P2	P3	1	2	3	4	P4	P5
4-6450130-3	D C B A			PM	J	J	J		PM	PM
					K	K	K			
					N	N	N			
					S	S	H			

3ACP + 16S + 2P



PART NUMBER	ROWS	POWER					SIGNAL								POWER				
		P1	P2	P3	P4	P5	1	2	3	4	5	6	7	8	P6	P7	P8	P9	P10
4-6450130-5	D C B A	PM	PM	PM	PM	PM	J	J	J	J	J	J	J	J	PM	PM	PM	PM	PM
							K	K	K	K	K	K	K	K					
							N	N	N	N	N	N	N	N					
							H	H	H	H	H	H	H	H					

5P + 32S + 5P



THIS DRAWING IS A CONTROLLED DOCUMENT.

OWN: R. GRZYBOWSKI 14FEB2005
CHK: M. PERCHERKE 14FEB2005
APPV: M. PERCHERKE 14FEB2005

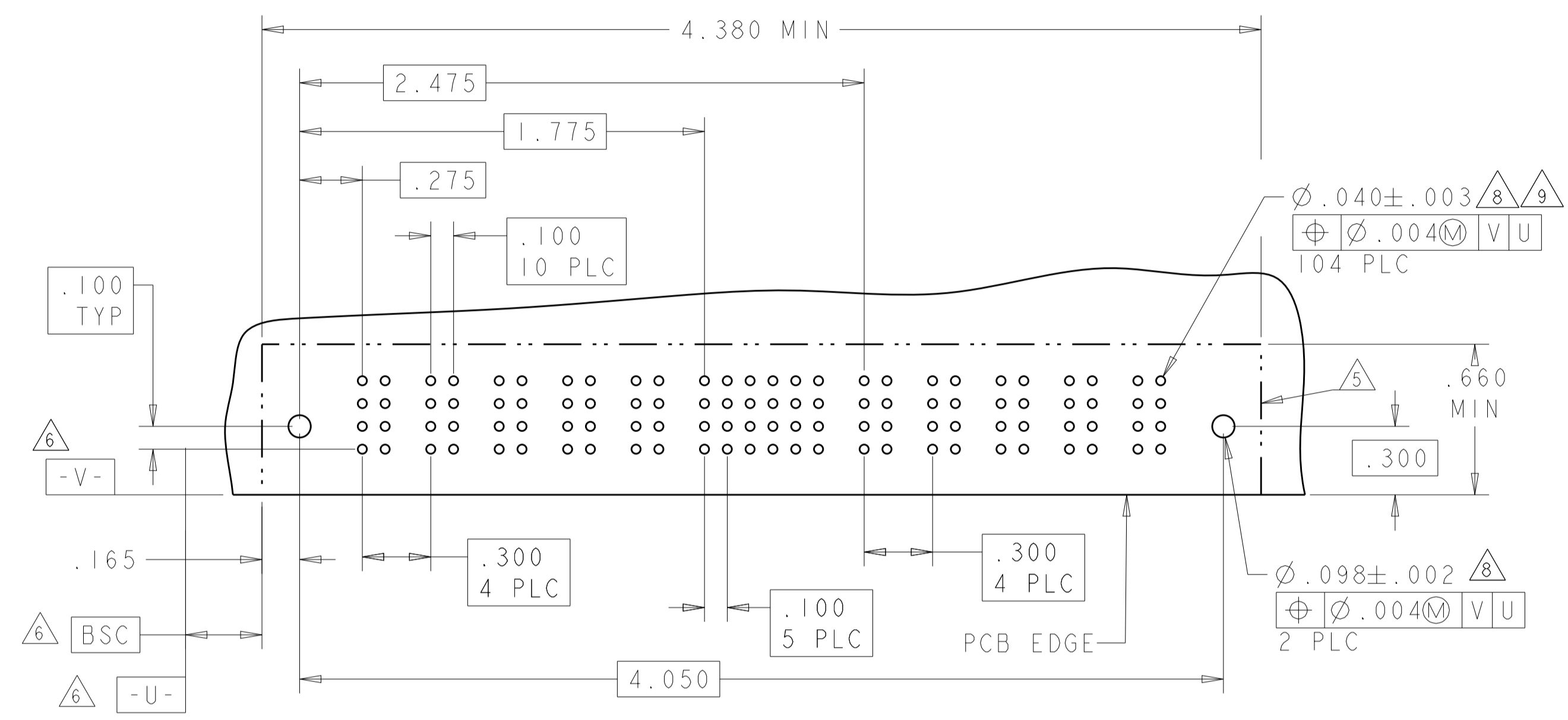
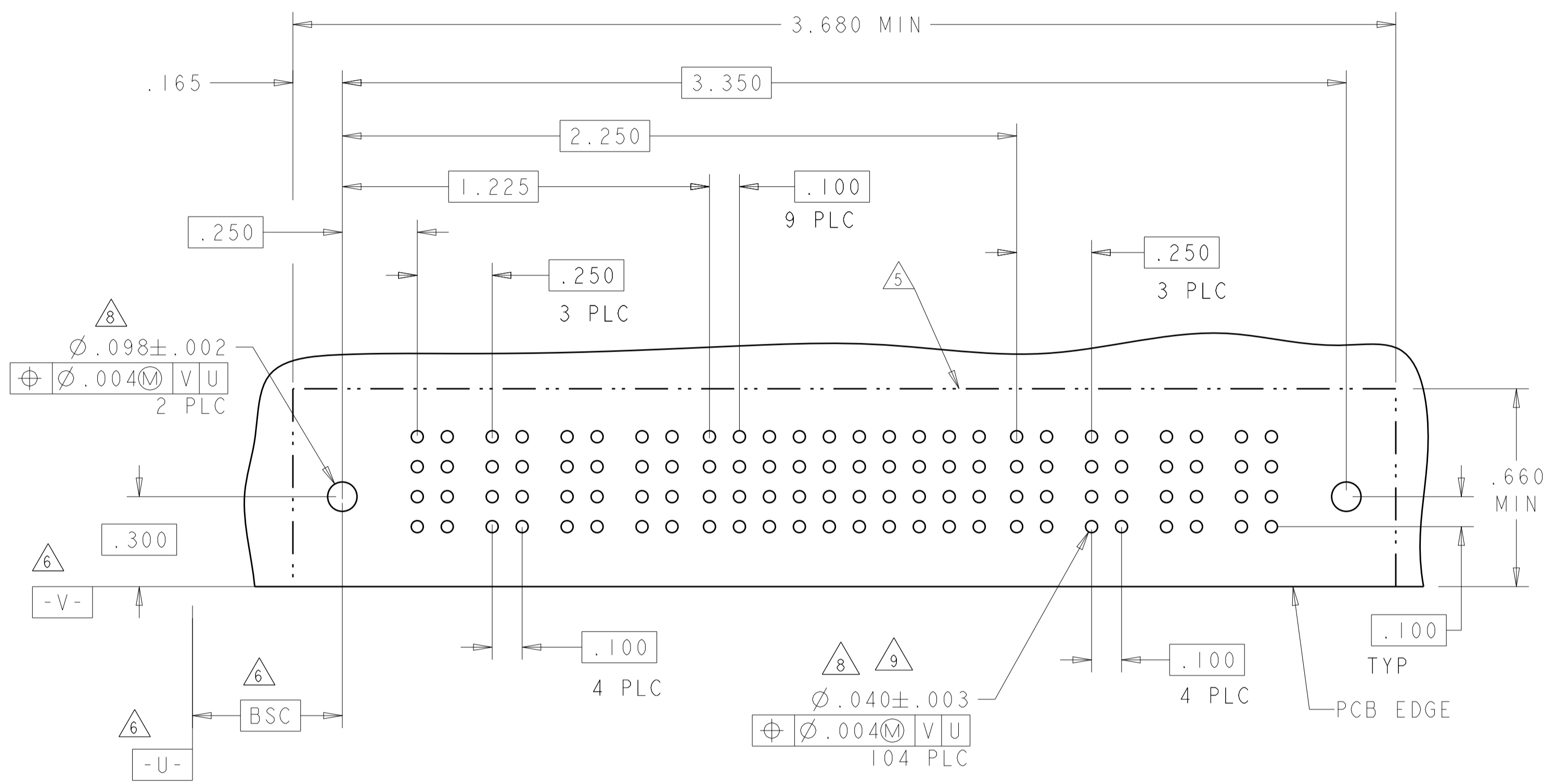
TE Connectivity

RIGHT ANGLE HEADER ASSEMBLY W/GUIDES MULTI-BEAM XL

SCALE: 4:1 SHEET 10 OF 28 REV: M2

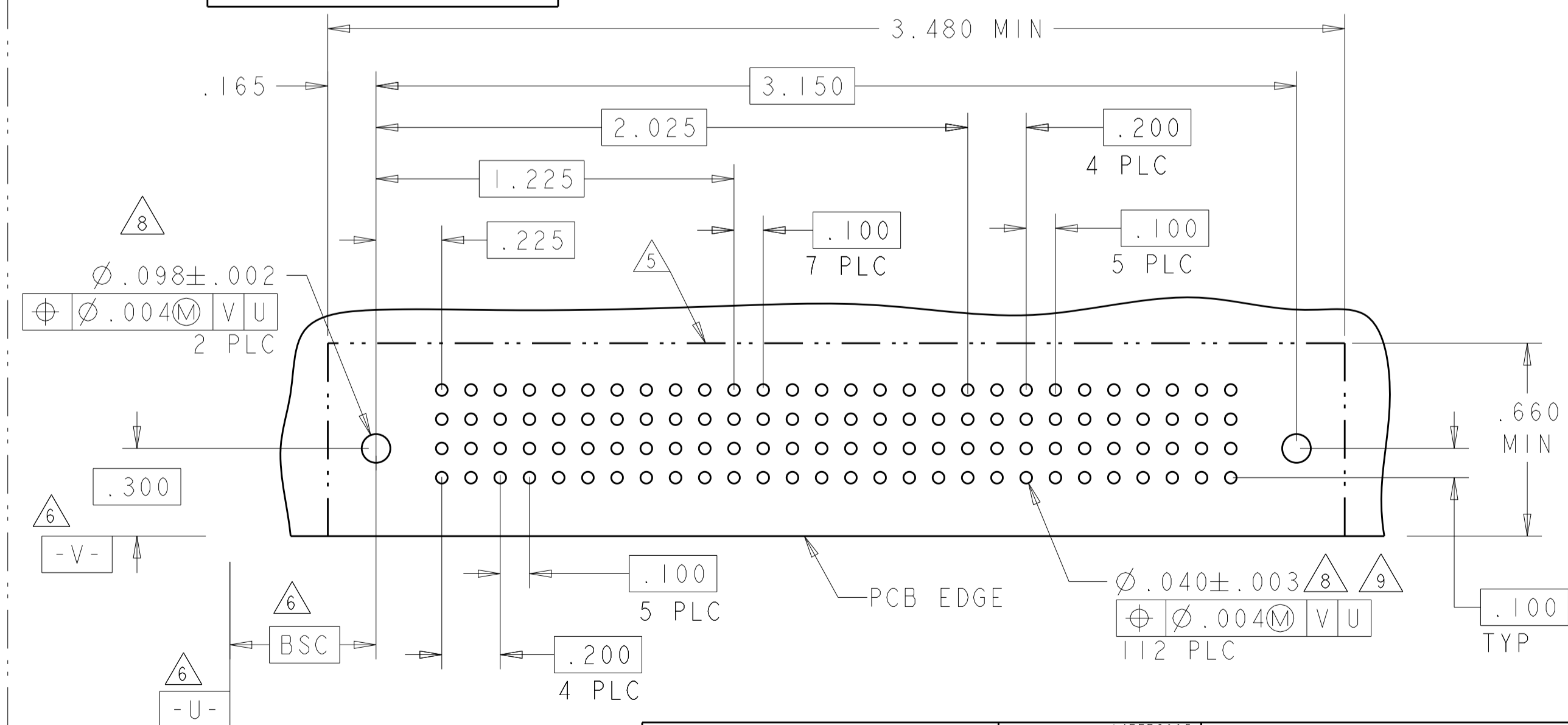
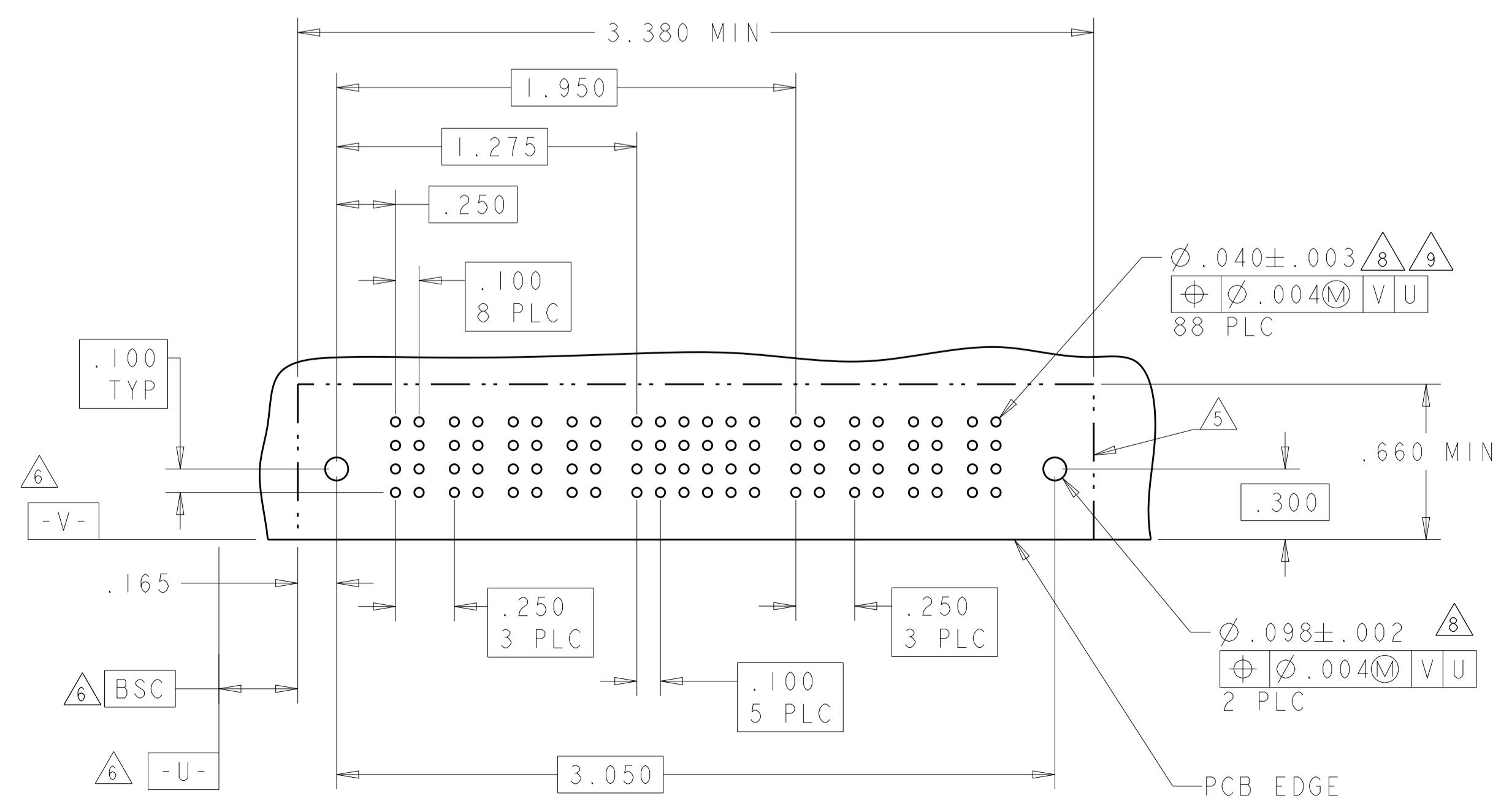
PART NUMBER	ROWS	POWER				SIGNAL										POWER			
		P1	P2	P3	P4	1	2	3	4	5	6	7	8	9	10	P5	P6	P7	P8
4-6450130-8	D C B A	PM	PM	PM	PM	J	J	J	J	J	J	J	J	J	J	PM	PM	PM	PM
		PM	PM	PM	PM	K	K	K	K	K	K	K	K	K	K	PM	PM	PM	PM
		PM	PM	PM	PM	N	N	N	N	N	N	N	N	N	N	PM	PM	PM	PM
4P + 40S + 4P						H	S	S	S	S	S	S	S	H					

PART NUMBER	ROWS	POWER					SIGNAL										POWER				
		P1	P2	P3	P4	P5	1	2	3	4	5	6	7	8	9	10	P6	P7	P8	P9	P10
5-6450130-0	D C B A	PM	PM	PM	PM	PM	J	J	J	J	J	J	J	J	J	PM	PM	PM	PM	PM	PM
		PM	PM	PM	PM	PM	K	K	K	K	K	K	K	K	K	PM	PM	PM	PM	PM	PM
		PM	PM	PM	PM	PM	N	N	N	N	N	N	N	N	N	PM	PM	PM	PM	PM	PM
5ACP + 24S + 5ACP							H	H	H	H	H	H	H	H							



PART NUMBER	ROWS	POWER				SIGNAL										POWER			
		P1	P2	P3	P4	1	2	3	4	5	6	7	8	9	10	P5	P6	P7	P8
4-6450130-9	D C B A	PM	PM	PM	PM	J	J	J	J	J	J	J	J	J	PM	PM	PM	PM	
		PM	PM	PM	PM	K	K	K	K	K	K	K	K	K	PM	PM	PM	PM	
		PM	PM	PM	PM	N	N	N	N	N	N	N	N	N	PM	PM	PM	PM	
4P + 24S + 4P						H	H	H	H	H	H	H	H						

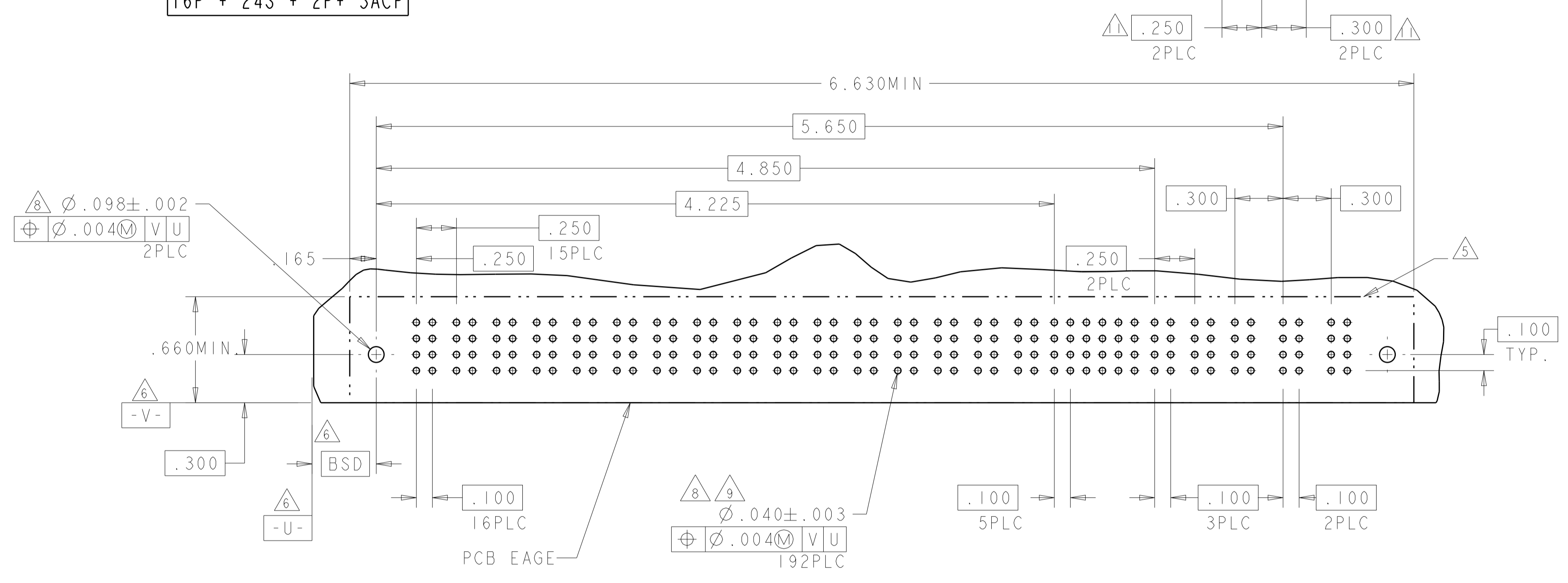
PART NUMBER	ROWS	POWER					SIGNAL										POWER				
		P1	P2	P3	P4	P5	1	2	3	4	5	6	7	8	9	10	P6	P7	P8	P9	P10
5-6450130-5	D C B A	PM	PM	PM	PM	PM	J	J	J	J	J	J	J	J	J	PM	PM	PM	PM	PM	PM
		PM	PM	PM	PM	PM	K	K	K	K	K	K	K	K	K	PM	PM	PM	PM	PM	PM
		PM	PM	PM	PM	PM	N	N	N	N	N	N	N	N	N	PM	PM	PM	PM	PM	PM
5P + 32S + 5P							H	H	H	H	H	H	H	H							



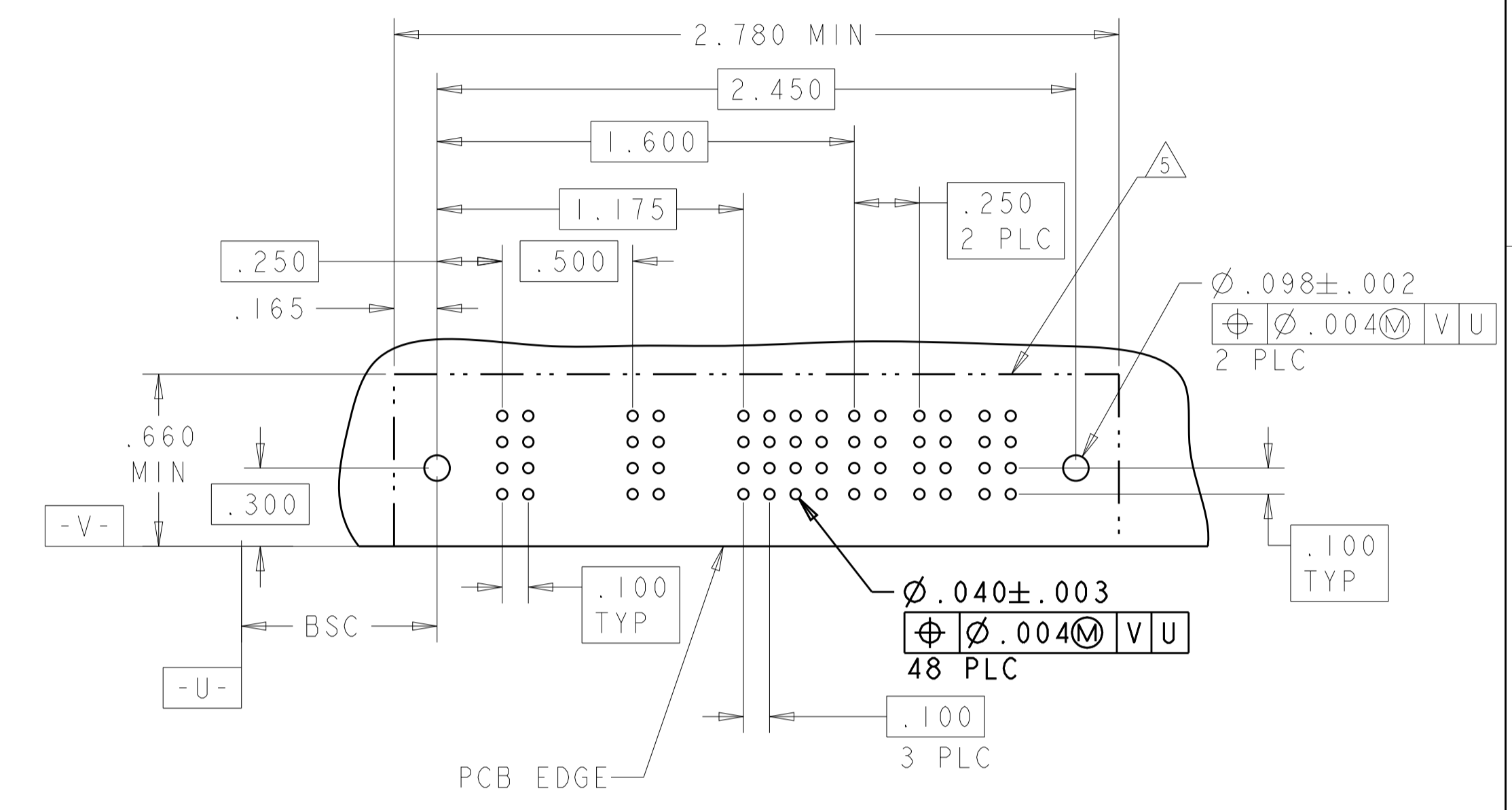
THIS DRAWING IS A CONTROLLED DOCUMENT.		DWN: R.GRZYBOWSKI 14FEB2005		CHK: M.PERCHEKKE 14FEB2005		APVD: M.PERCHEKKE 14FEB2005		NAME: M.PERCHEKKE		PRODUCT SPEC: 108-1973		APPLICATION SPEC: 114-13038		WEIGHT: A100779C=6450130		Customer Drawing	
DIMENSIONS: INCHES		TOLERANCES UNLESS OTHERWISE SPECIFIED: 0 PLC ± .01 1-3 PLC ± .005 4-5 PLC ± .0020 ANGLES ± .0020															
MATERIAL:		FINISH:															
SCALE: 4:1		SHEET 11 OF 28															

LOC	DIST	REV	DATE	BY	APPV
ES	00				

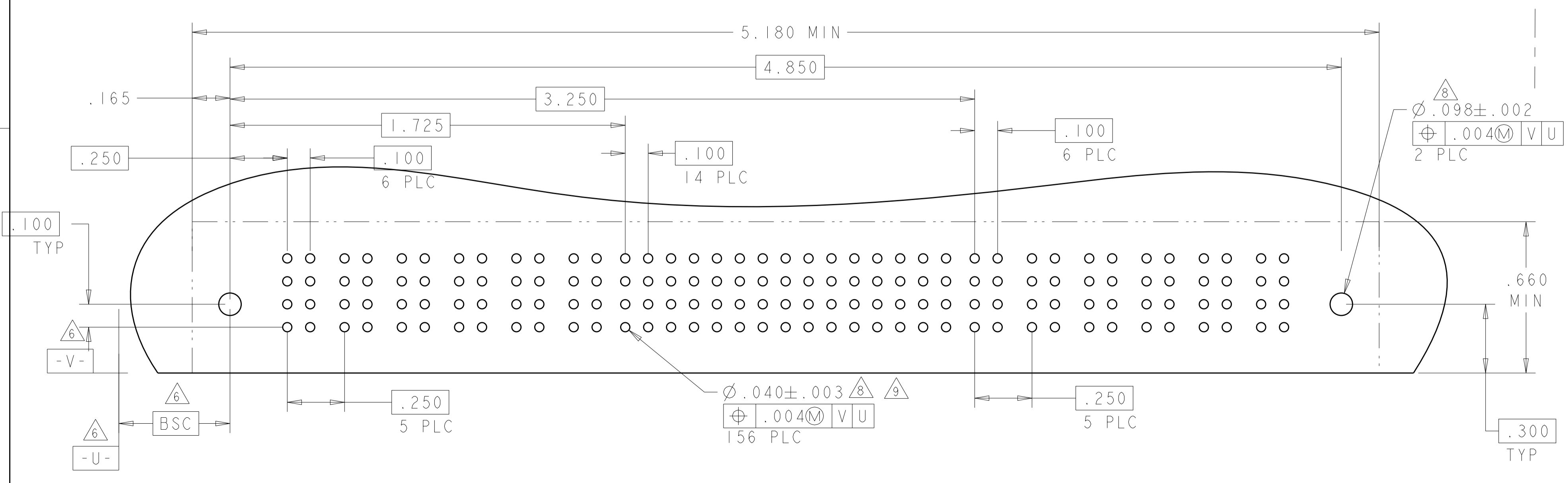
PART NUMBER	ROWS	POWER																SIGNAL						POWER				
		P1	P2	P3	P4	P5	P6	P7	P8	P9	P10	P11	P12	P13	P14	P15	P16	1	2	3	4	5	6	P17	P18	P19	P20	P21
7-6450130-4	D C B A	PM																E K N S						PM				
		PM																J K N S						PM				
		PM																J K N S						PM				



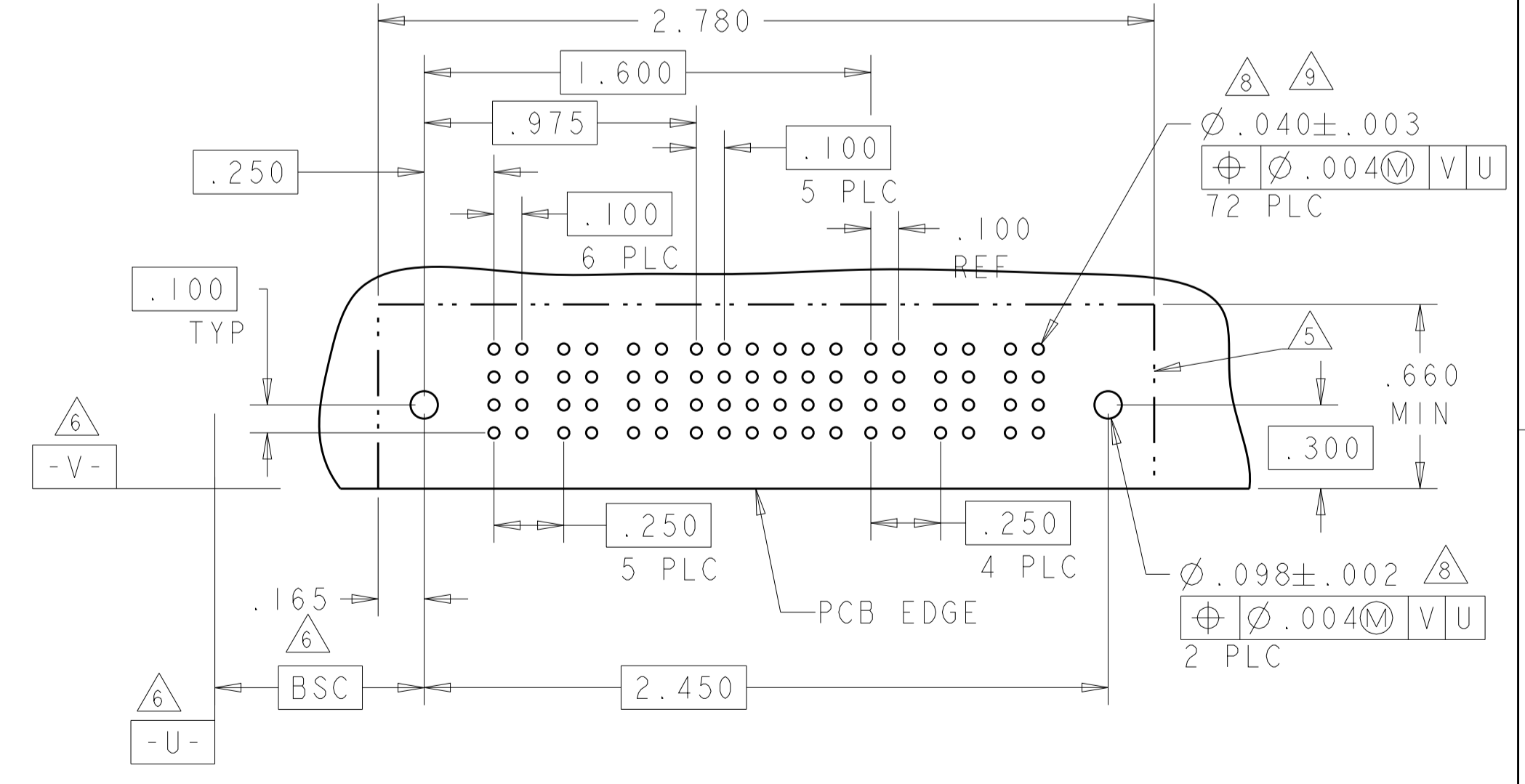
PART NUMBER	ROWS	POWER			SIGNAL						POWER		
		P1	P2	P3	1	2	3	4	5	6	P4	P5	P6
7-6450130-5	D C B A	PM			J K N S						PM		
		PM			J K N S						PM		
		PM			J K N S						PM		



PART NUMBER	ROWS	POWER						SIGNAL															POWER					
		P1	P2	P3	P4	P5	P6	1	2	3	4	5	6	7	8	9	10	11	12	13	14	15	P7	P8	P9	P10	P11	P12
7-6450130-7	D C B A	PM						J K N S															PM					
		PM						J K N S															PM					
		PM						J K N S															PM					



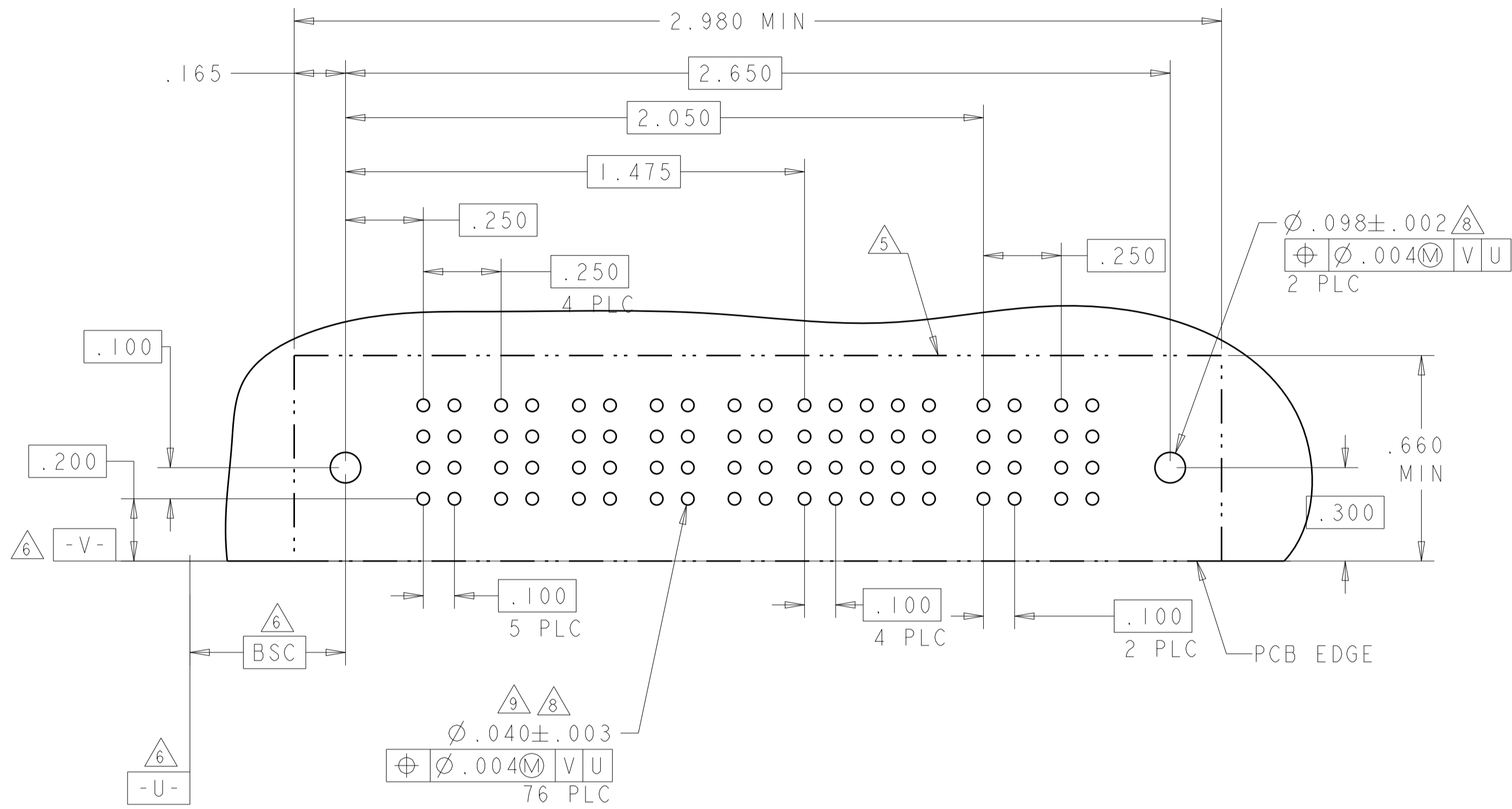
PART NUMBER	ROWS	POWER			SIGNAL						POWER		
		P1	P2	P3	1	2	3	4	5	6	P4	P5	P6
7-6450130-8	D C B A	PM			J K N H						PM		
		PM			J K N S						PM		
		PM			J K N S						PM		



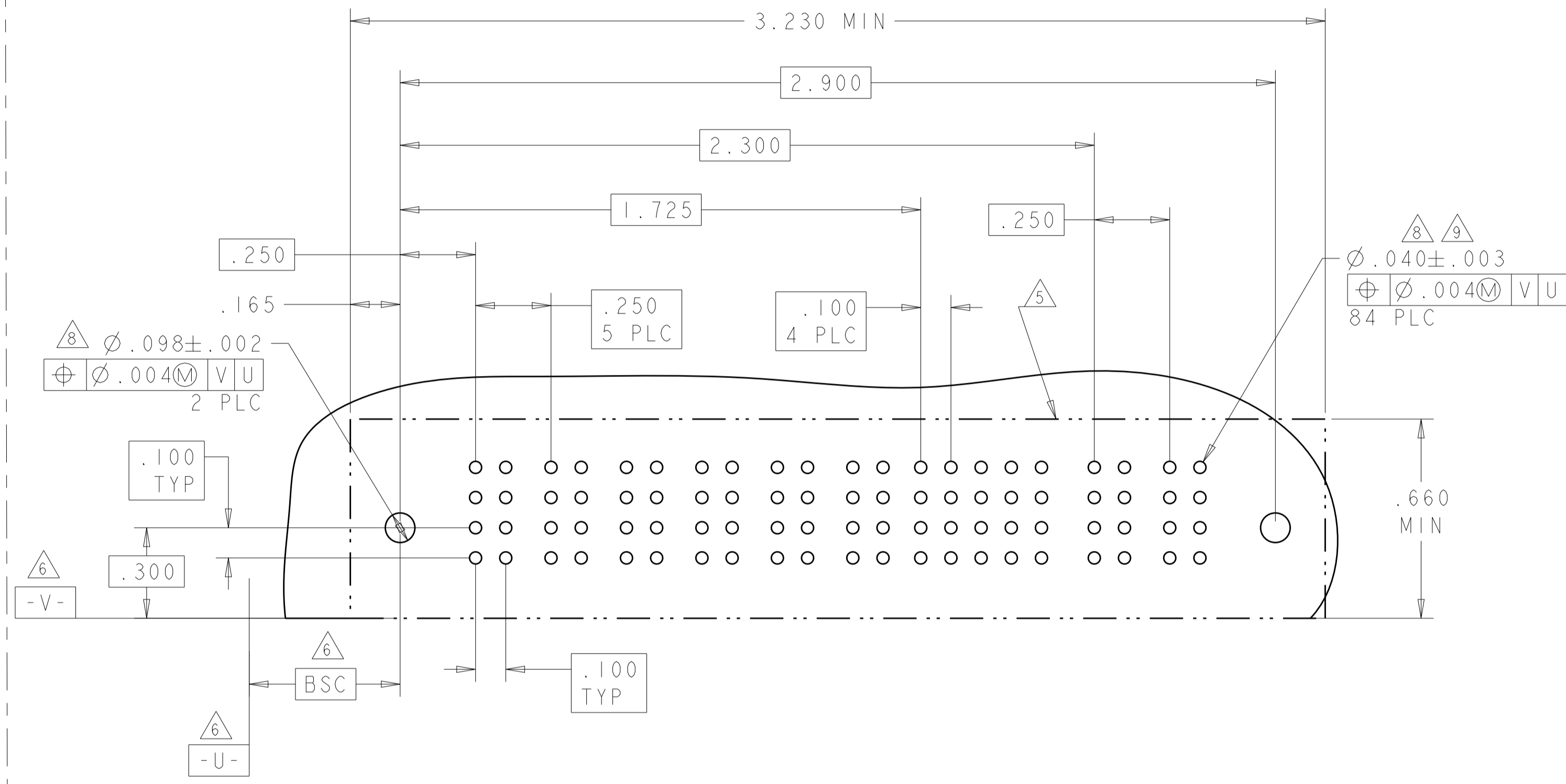
THIS DRAWING IS A CONTROLLED DOCUMENT.

DIMENSIONS: INCHES 	TOLERANCES UNLESS OTHERWISE SPECIFIED: 0 PLC ±. 1 PLC ±.01 2 PLC ±.01 3 PLC ±.005 4 PLC ±.002 ANGLES ±.020	DWG: R.GRZYBOWSKI 14FEB2005 CHK: M.PERCHEK 14FEB2005 APVD: M.PERCHEK 14FEB2005 PRODUCT SPEC 108-1973 APPLICATION SPEC 114-13038 WEIGHT Customer Drawing	STE TE Connectivity NAME: RIGHT ANGLE HEADER ASSEMBLY W/GUIDES MULTI-BEAM XL SIZE: A1 CAGE CODE: 6450130 DRAWING NO: 100779 SCALE: 4:1 SHEET: 12 OF 28 REV: M2
---------------------------	--	---	--

PART NUMBER	ROWS	POWER					SIGNAL					POWER	
		P1	P2	P3	P4	P5	1	2	3	4	5	P6	P7
7-6450130-9	D C B A	PM	PM	PM	PM	PM	J	J	J	J	J	PM	PM
							K	K	K	K	K		
							N	G	N	N	N		
							S	S	S	S	S		
5P + 20S + 2P													



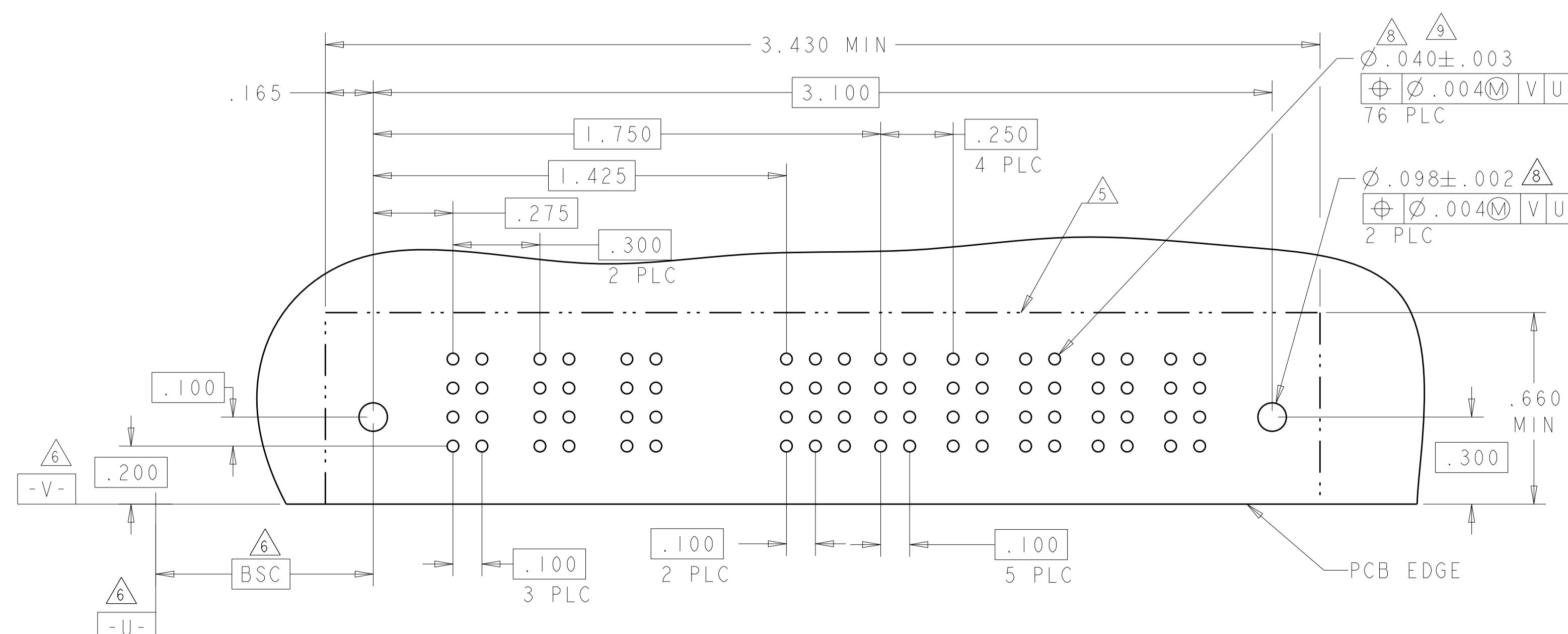
PART NUMBER	ROWS	POWER						SIGNAL					POWER	
		P1	P2	P3	P4	P5	P6	1	2	3	4	5	P7	P8
8-6450130-0	D C B A	PM	PM	PM	PM	PM	PM	J	J	J	J	J	PM	PM
								K	K	K	K	K		
								N	G	N	N	N		
								S	S	S	S	S		
6P + 20S + 2P														



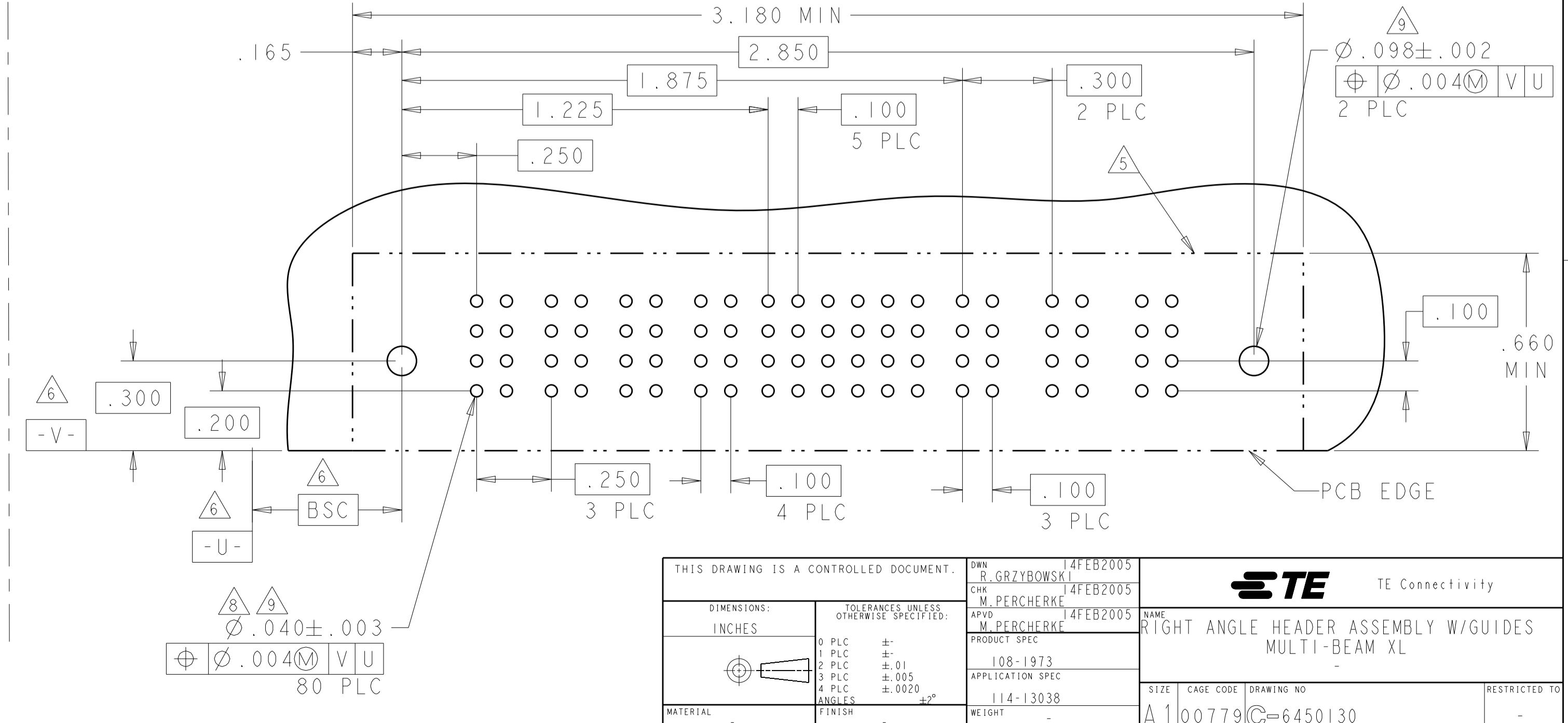
LOC	DIST	REVISIONS			
ES	00	REV	DATE	BY	APPV
		1	SEE SHEET 1		

PART NUMBER	ROWS	POWER			SIGNAL						POWER				
		P1	P2	P3	1	2	3	4	5	6	P4	P5	P6	P7	P8
7-6450130-6	D C B A	PM	PM	PM	J	J	J				PM	PM	PM	PM	PM
					K	K	K								
					N	N	N								
					S	S	S								
3ACP + 24S + 5P															

NO CONTACTS LOADER



PART NUMBER	ROWS	POWER				SIGNAL						POWER		
		P1	P2	P3	P4	1	2	3	4	5	6	P5	P6	P7
8-6450130-2	D C B A	PM	PM	PM	PM	J	J	J	J	J	J	PM	PM	PM
						K	K	K	K	K	K			
						N	N	N	N	N	N			
						S	S	S	S	S	H			
4P + 24S + 3ACP														



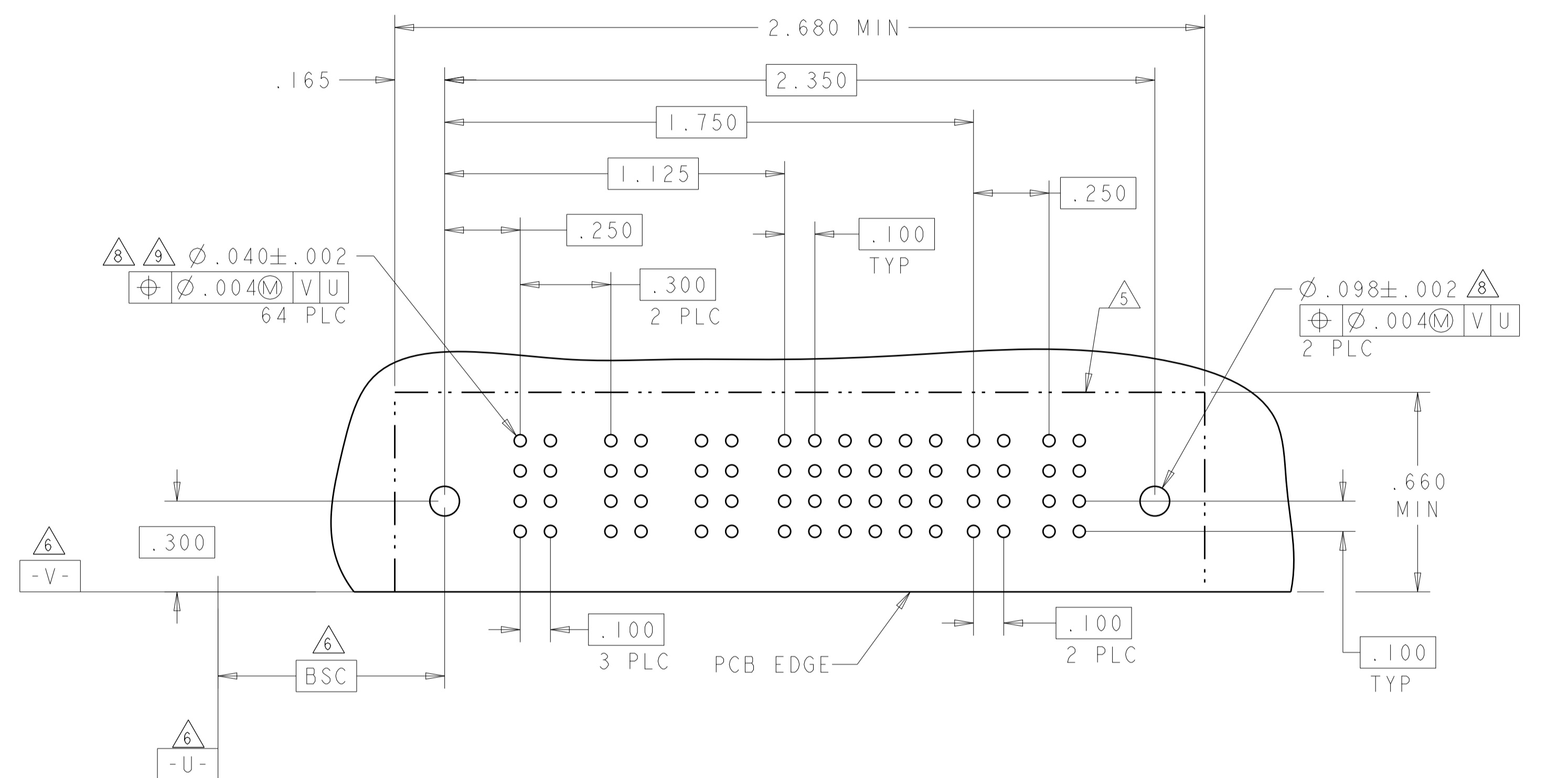
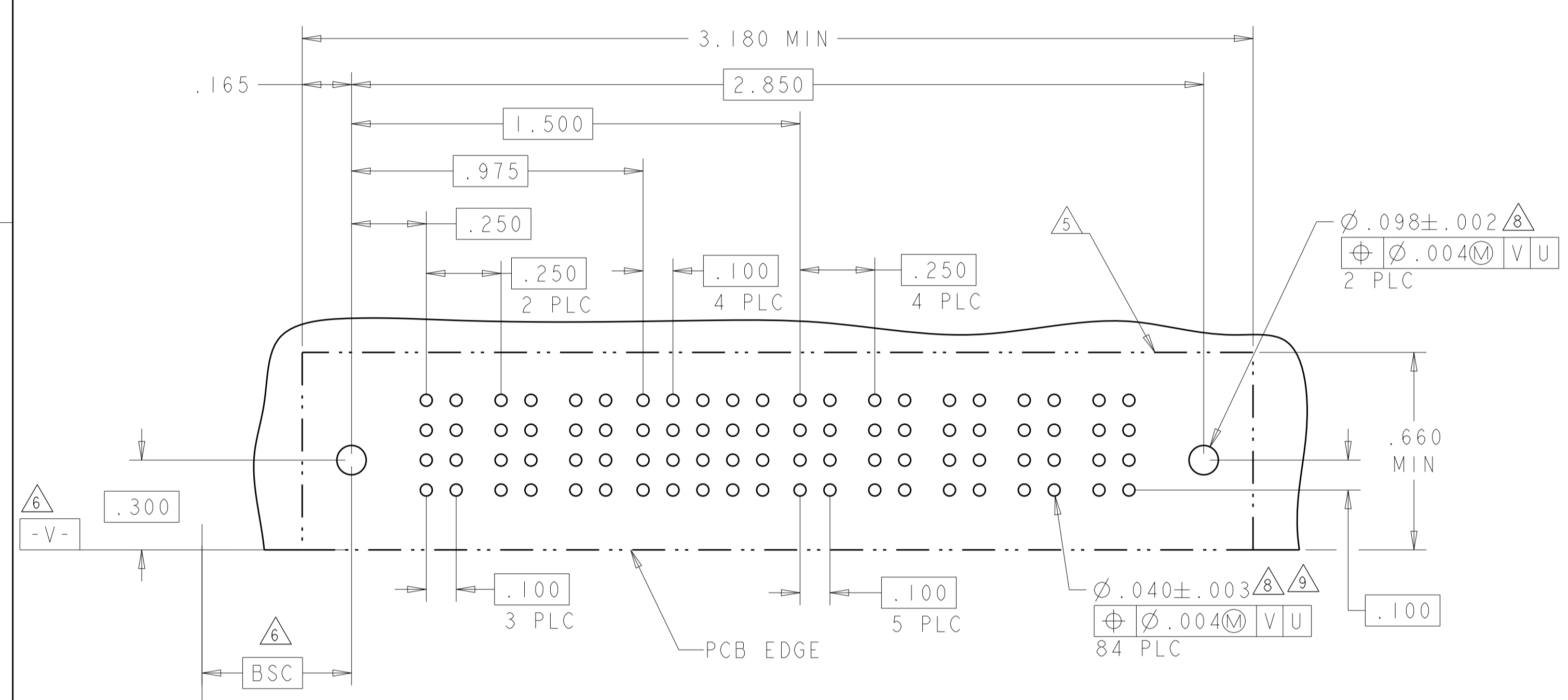
THIS DRAWING IS A CONTROLLED DOCUMENT.

<p>DIMENSIONS:</p> <p>INCHES</p>	<p>TOLERANCES UNLESS OTHERWISE SPECIFIED:</p> <p>0 PLC ± .01</p> <p>1 PLC ± .01</p> <p>2 PLC ± .01</p> <p>3 PLC ± .01</p> <p>4 PLC ± .01</p> <p>5 PLC ± .01</p> <p>ANGLES ± .002</p>	<p>OWN: R. GRZYBOWSKI 14FEB2005</p> <p>CHK: M. PERCHERKE 14FEB2005</p> <p>APPV: M. PERCHERKE 14FEB2005</p> <p>PRODUCT SPEC: 108-1973</p> <p>APPLICATION SPEC: 114-13038</p> <p>WEIGHT: A100779</p> <p>Customer Drawing</p>	<p>NAME: RIGHT ANGLE HEADER ASSEMBLY W/GUIDES MULTI-BEAM XL</p> <p>SIZE: CAGE CODE DRAWING NO: A100779</p> <p>DRAWING NO: C=6450130</p> <p>SCALE: 4:1</p> <p>SHEET 13 OF 28</p> <p>REV: M2</p>	<p>STE TE Connectivity</p>
----------------------------------	--	--	--	----------------------------

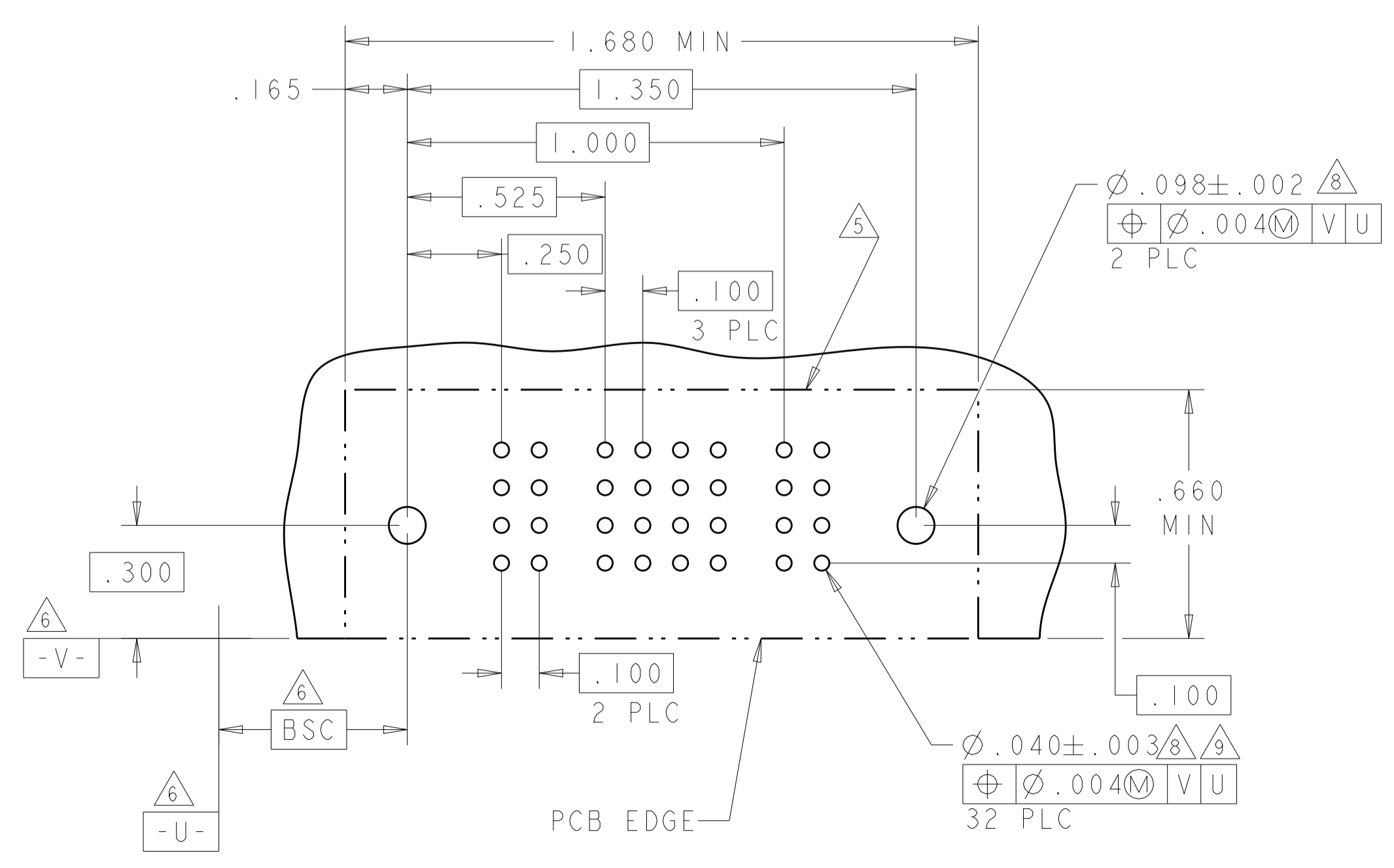
LOC	DIST	REVISIONS			
ES	00	REV	DATE	BY	APPV
		1	SEE SHEET 1		

PART NUMBER	ROWS	POWER			SIGNAL					POWER				
		P1	P2	P3	1	2	3	4	5	P4	P5	P6	P7	P8
8-6450130-4	D C B A	PM	PM	PM	J	J	J		J	PM	PM	PM	PM	
					K	K	K		K					
					N	N	N		N					
					S	S	S		H					
3P + 20S + 5P														

PART NUMBER	ROWS	POWER			SIGNAL						POWER		
		P1	P2	P3	1	2	3	4	5	6	P4	P5	
5-6450130-1	D C B A	PM	PM	PM	J	E	J	J	J			PM	PM
					K	K	K	K	K				
					N	N	G	N	N	N			
					S	S	S	S	S				
3ACP + 24S + 2P													



PART NUMBER	ROWS	POWER		SIGNAL				POWER	
		P1	P2	1	2	3	4	P2	P1
8-6450130-5	D C B A	PM	PM	J	E	J	E	PM	PM
				K	K	K	K		
				N	N	N	N		
				S	S	S	S		
IP + 16S + IP									

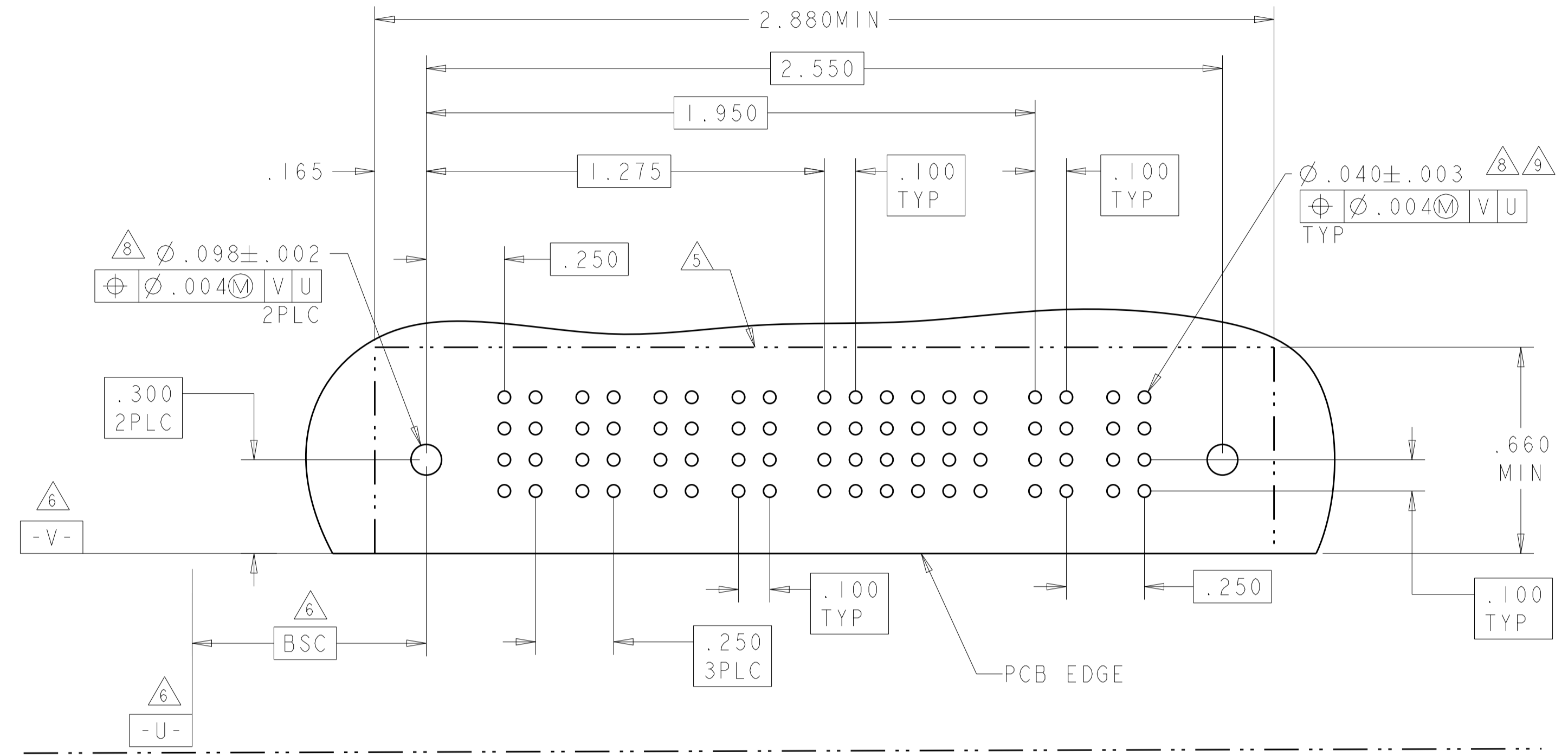


THIS DRAWING IS A CONTROLLED DOCUMENT.

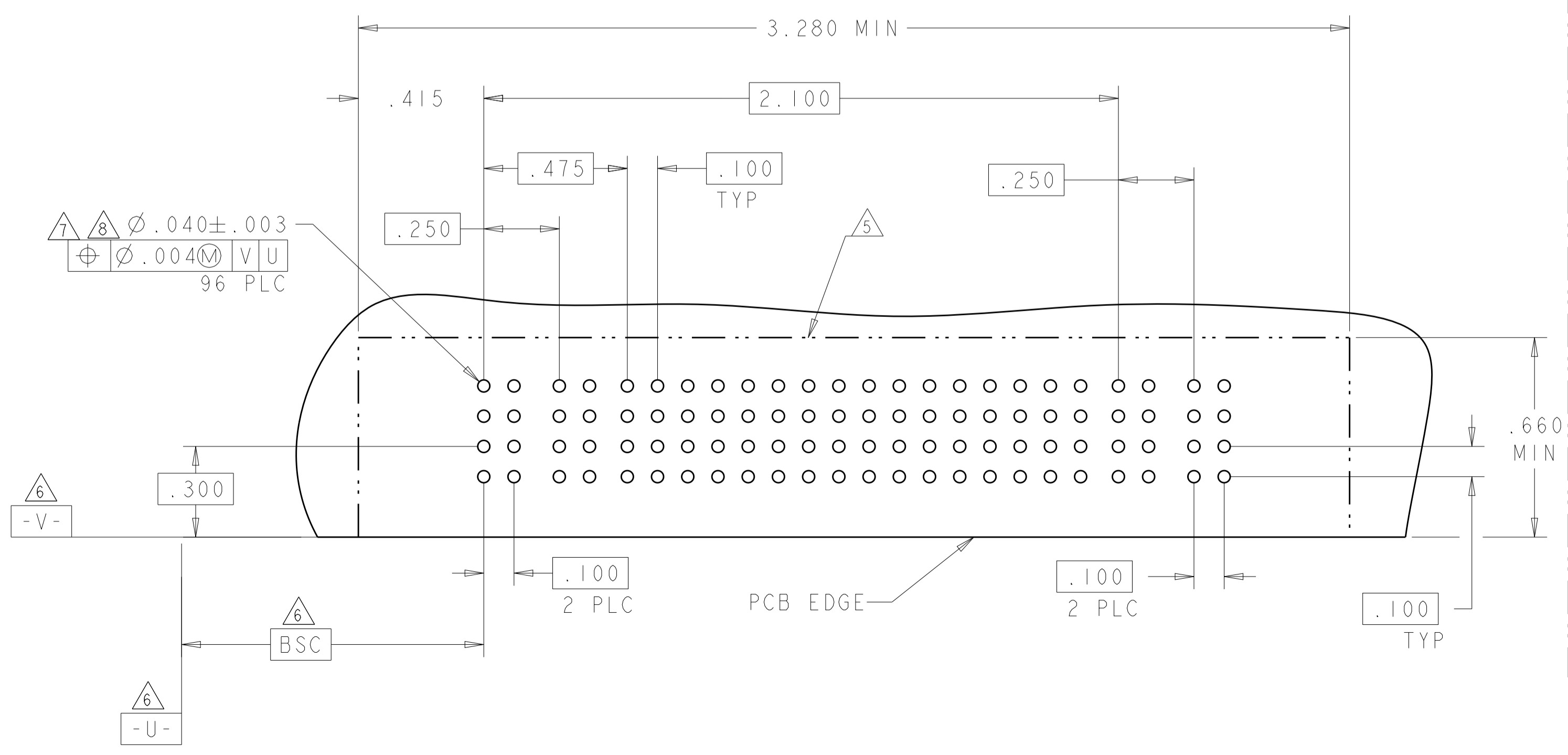
DIMENSIONS:	TOLERANCES UNLESS OTHERWISE SPECIFIED:	OWN: R. GRZYBOWSKI 14FEB2005	CHK: M. PERCHERKE 14FEB2005	APVD: M. PERCHERKE 14FEB2005	NAME: RIGHT ANGLE HEADER ASSEMBLY W/GUIDES MULTI-BEAM XL
INCHES	0 PLC ±.01 1 PLC ±.01 2 PLC ±.01 3 PLC ±.005 4 PLC ±.002	PRODUCT SPEC: 108-1973	APPLICATION SPEC: 114-13038	WEIGHT: -	SIZE: A100779
MATERIAL:	FINISH:	RESTRICTED TO: -	SCALE: 4:1	SHEET: 14 OF 28	REV: M2

Customer Drawing

PART NUMBER	ROWS	POWER				SIGNAL						POWER	
		P1	P2	P3	P4	1	2	3	4	5	6	P5	P6
5-6450130-8	D	PM	PM	PM	PM	J	J	J	E	J	J	PM	PM
	C					K	K	K	K	K			
	B					N	N	N	N	N			
	A					S	S	S	S	S			
4P + 24S + 2P													



PART NUMBER	ROWS	POWER		SIGNAL																POWER				
		P1	P2	1	2	3	4	5	6	7	8	9	10	11	12	13	14	15	16	P3	P4			
8-6450130-7	D	PA	PA	A	A	A	A	A	A	A	A	A	A	A	A	A	A	A	A	A	A	PA	PA	
	C			3	3	3	3	3	3	3	3	3	3	3	3	3	3	3	3	3	3			
	B			2	2	2	2	2	2	2	2	2	2	2	2	2	2	2	2	2	2			2
	A			A	A	A	A	A	A	A	A	A	A	A	A	A	A	A	A	A	A			A
2P + 64S + 2P																								

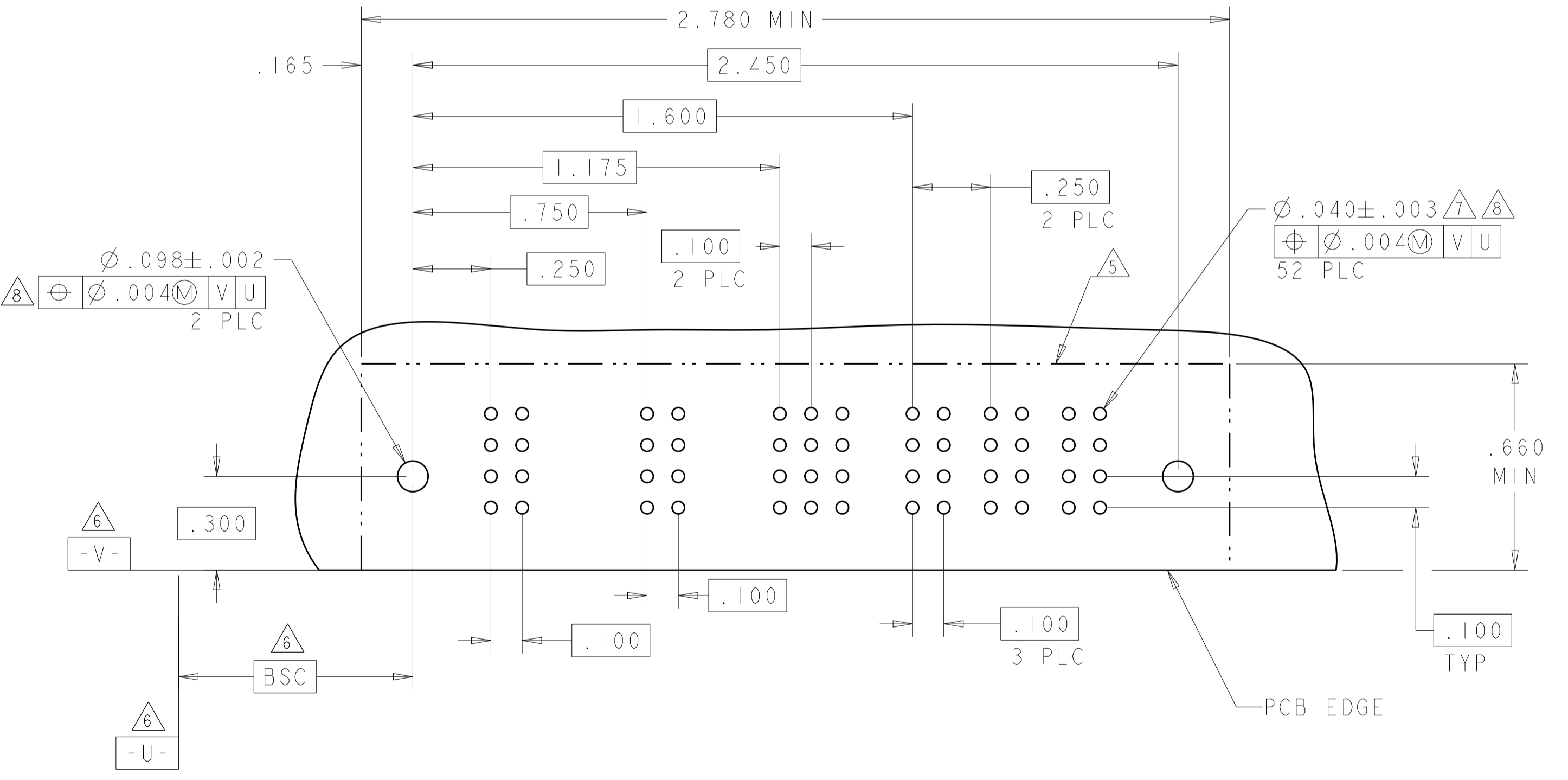


PART NUMBER	ROWS	POWER			SIGNAL						POWER								
		P1	P2	P3	1	2	3	4	5	6	P4	P5	P6						
8-6450130-6	D	PM	PM	PM	J	J	J	K	K	K	N	N	N	PM	PM	PM			
	C																S	S	S
	B																		
	A																		
3P + 24S + 3P																			

NO CONTACTS LOADED

PART NUMBER	ROWS	POWER			SIGNAL						POWER					
		P1	P2	P3	1	2	3	4	5	6	P4	P5	P6			
9-6450130-0	D	PM	PM	PM	E	E	E	G	G	G	H	H	H	PM	PM	PM
	C															
	B															
	A															
3P + 24S + 3P																

NO CONTACT LOADED



8-6450130-6 AND 9-6450130-0 HAVE THE SAME PCB LAYOUT

THIS DRAWING IS A CONTROLLED DOCUMENT.		DWN: R. GRZYBOWSKI 14FEB2005		TE Connectivity
DIMENSIONS: INCHES		CHK: M. PERCHERKE 14FEB2005		RIGHT ANGLE HEADER ASSEMBLY W/GUIDES MULTI-BEAM XL
TOLERANCES UNLESS OTHERWISE SPECIFIED:		APVD: M. PERCHERKE 14FEB2005	NAME	
0 PLC ± .01		PRODUCT SPEC	SIZE	
1 PLC ± .01		108-1973	CAGE CODE	
2 PLC ± .01		APPLICATION SPEC	DRAWING NO	
3 PLC ± .005		114-13038	REV	
4 PLC ± .002		WEIGHT	SCALE	
ANGLES ± .0020		Customer Drawing	SHEET 15 OF 28	
MATERIAL		Customer Drawing	REV M2	

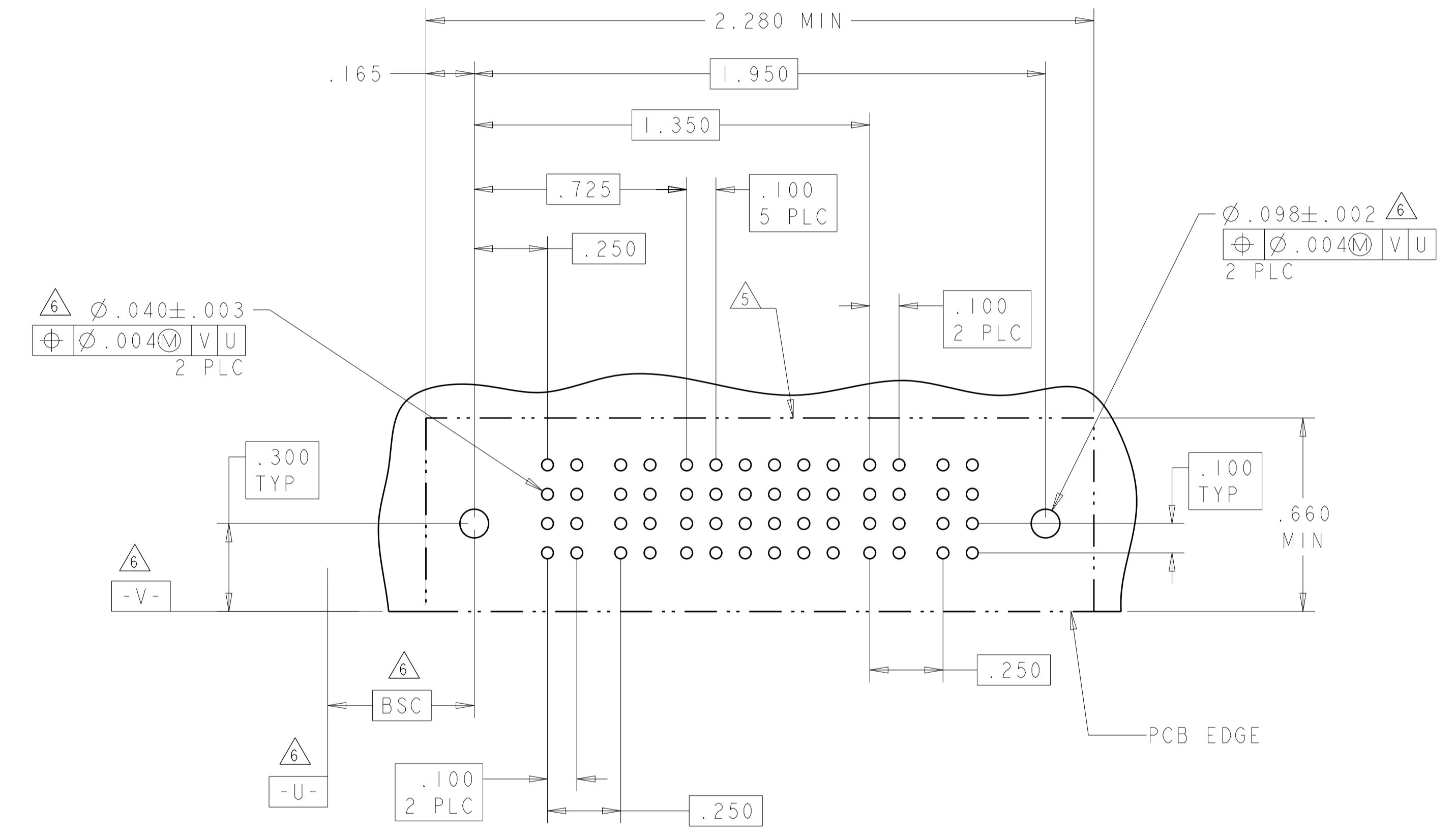
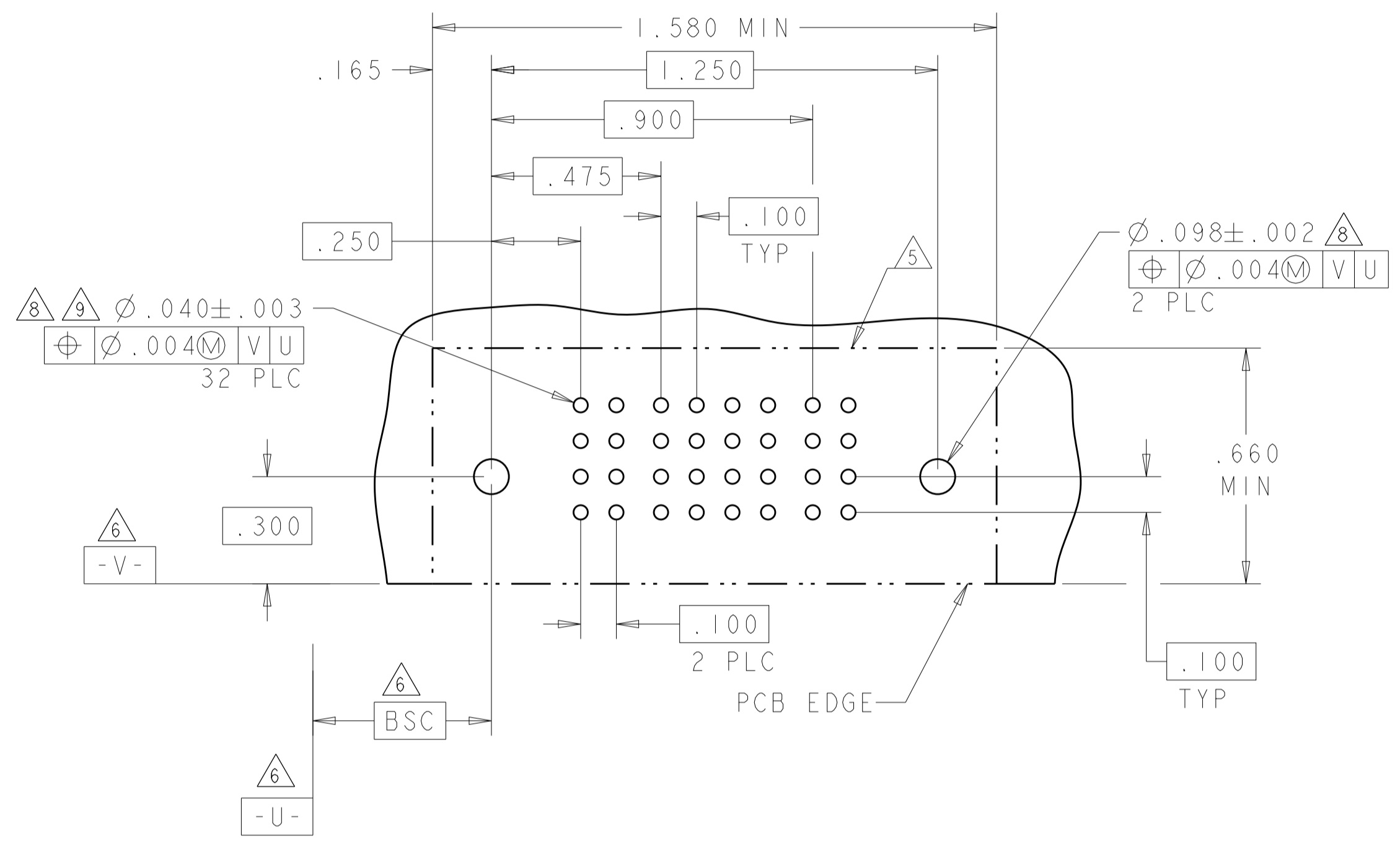
LOC	DIST	REVISIONS			
P	LTH	DESCRIPTION	DATE	OWN	APVD
-	-	SEE SHEET 1	-	-	-

PART NUMBER	ROWS	POWER		SIGNAL				POWER	
		P1	P2	1	2	3	4	P3	P4
8-6450130-9	D	PM	PM	J	J	J	J	PM	PM
	C			K	K	F	K		
	B			N	N	G	N		
	A			S	S	S	S		

IP + 16S + IP

PART NUMBER	ROWS	POWER		SIGNAL						POWER	
		P1	P2	1	2	3	4	5	6	P3	P4
2-6450130-9	D	PM	PM	J	J	J	J	J	J	PM	PM
	C			K	K	K	K	F			
	B			N	N	N	N	N			
	A			S	S	S	S	S			

2P + 24S + 2P

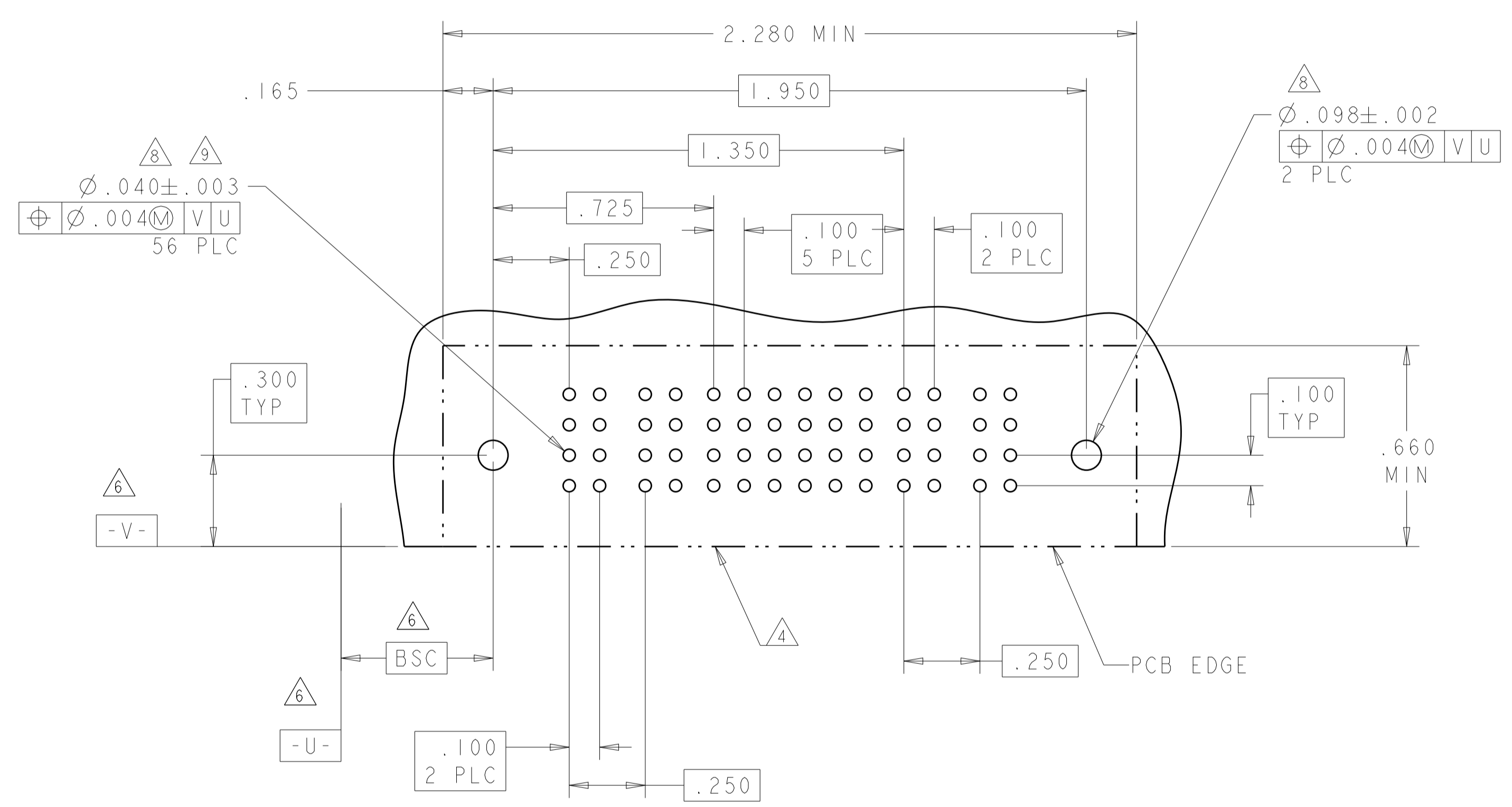
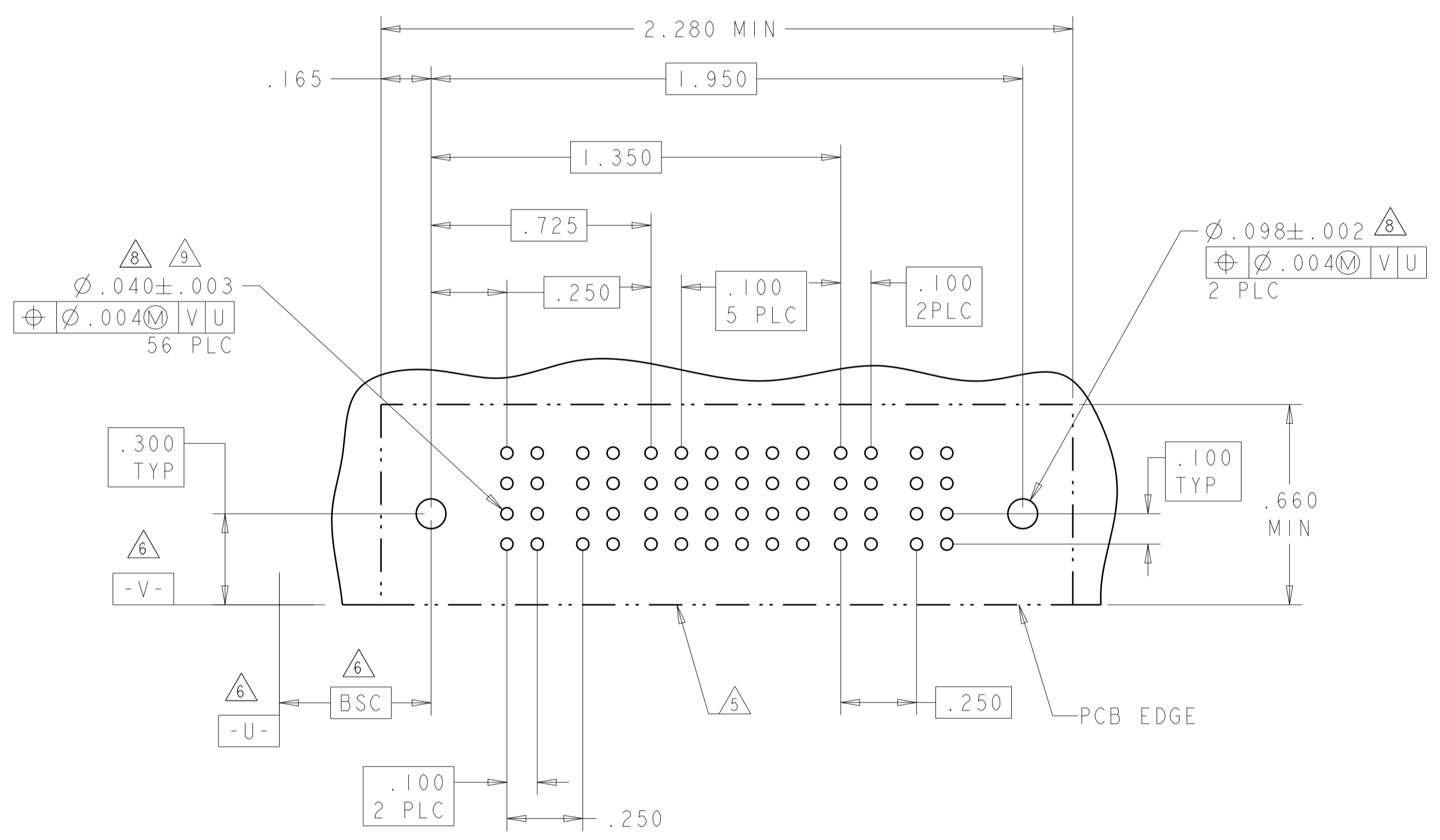


THIS DRAWING IS A CONTROLLED DOCUMENT.		OWN: R. GRZYBOWSKI 14FEB2005	 TE Connectivity
DIMENSIONS: INCHES		CHK: M. PERCHERKE 14FEB2005	
TOLERANCES UNLESS OTHERWISE SPECIFIED:		APVD: M. PERCHERKE 14FEB2005	NAME: RIGHT ANGLE HEADER ASSEMBLY W/GUIDES MULTI-BEAM XL
0 PLC ±.01 1 PLC ±.01 2 PLC ±.01 3 PLC ±.005 4 PLC ±.002 ANGLES ±.020		PRODUCT SPEC: 108-1973	SIZE: CAGE CODE DRAWING NO: A100779C=6450130
MATERIAL: FINISH:		APPLICATION SPEC: 114-13038	RESTRICTED TO: -
Customer Drawing		WEIGHT: -	SCALE: 4:1 SHEET 16 OF 28 REV: M2

LOC		DIST		REVISIONS			
ES	00	P	LTM	DESCRIPTION	DATE	DWN	APVD
				SEE SHEET 1			

PART NUMBER	ROWS	POWER		SIGNAL						POWER		
		P1	P2	1	2	3	4	5	6	P3	P4	
4-6450130-2	D	PM	PM	J	J	J	J	J	J	E	PM	PM
	C			K	K	K	K	K	K			
	B			N	N	N	N	N	N			
	A			S	S	S	S	S	S			
2P + 24S + 2P												

PART NUMBER	ROWS	POWER		SIGNAL						POWER		
		P1	P2	1	2	3	4	5	6	P3	P4	
6-6450130-7	D	PM	PM	J	J	J	J	J	J	J	PM	PM
	C			K	K	K	K	K	K			
	B			N	N	N	G	N	N			
	A			S	S	S	S	S	S			
2P + 24S + 2P												



PART NUMBER	ROWS	POWER		SIGNAL						POWER		
		P1	P2	1	2	3	4	5	6	P3	P4	
8-6450130-8	D	PM	PM	E	E	E	E	E	E	E	PM	PM
	C			F	F	F	F	F	F			
	B			G	G	G	G	G	G			
	A			H	H	H	H	H	S			
2P + 24S + 2P												

LAYOUT OF PART 8-6450130-8 IS SAME AS 6-6450130-7.

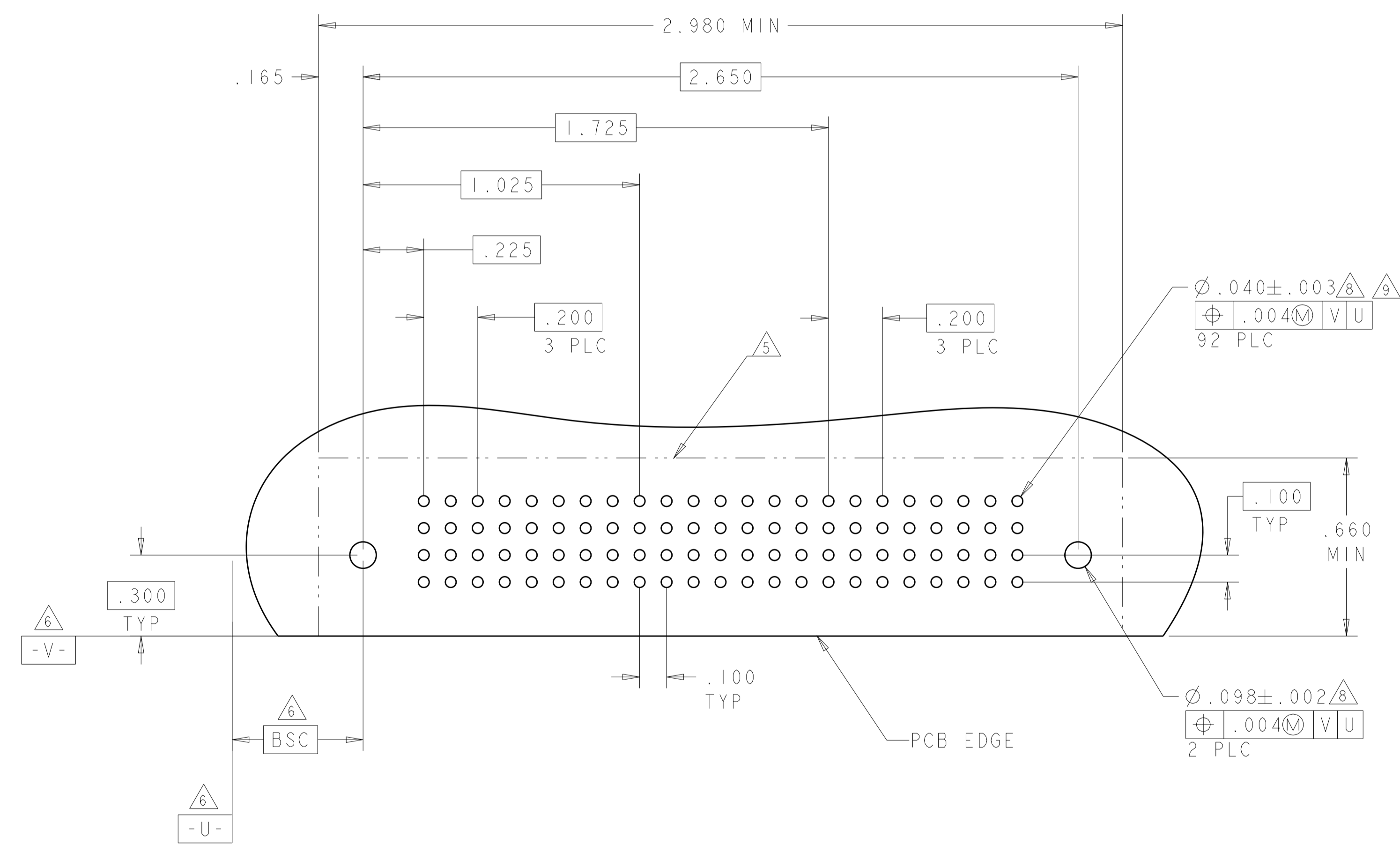
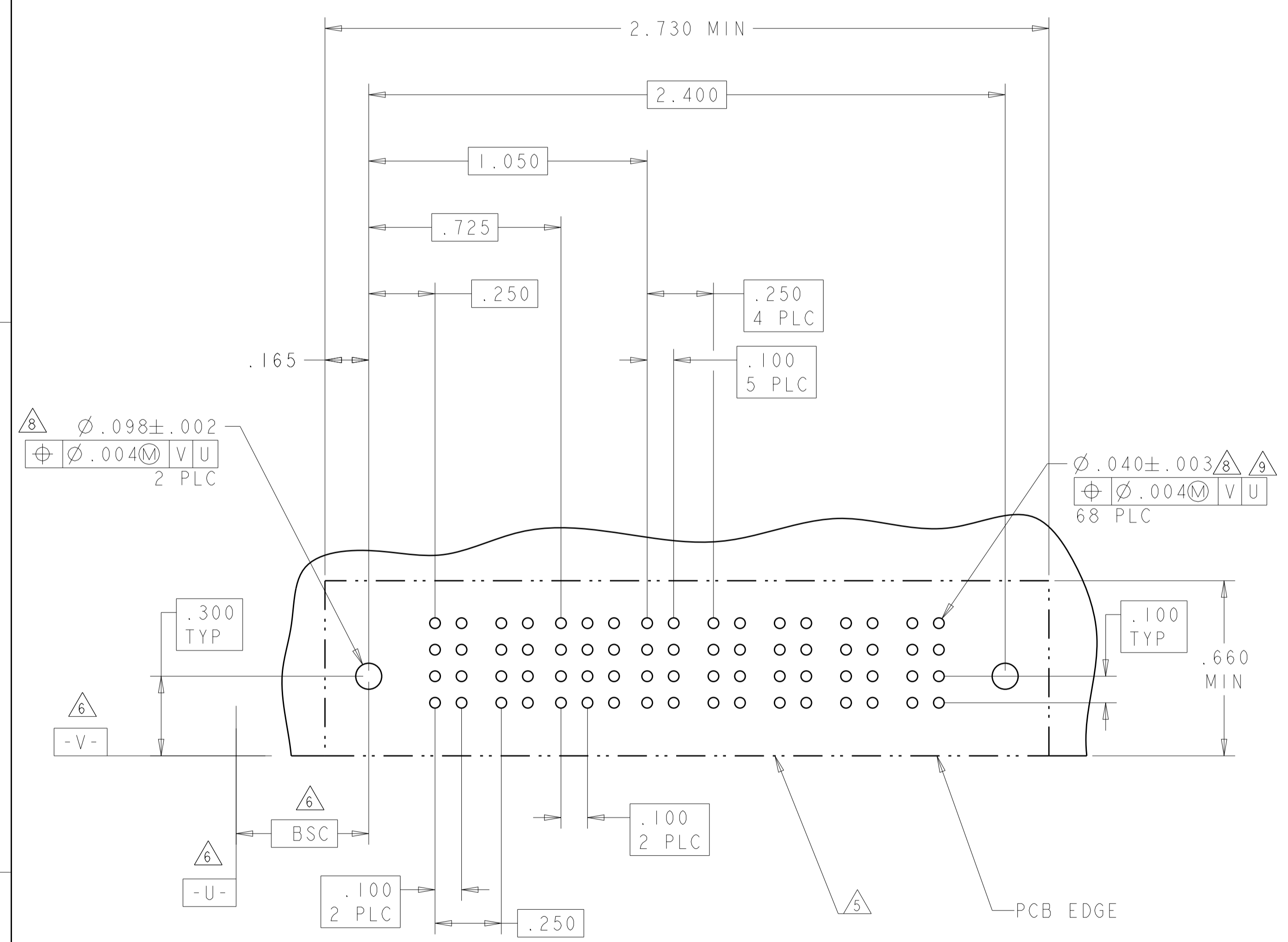
THIS DRAWING IS A CONTROLLED DOCUMENT.		DWN: R. GRZYBOWSKI 14FEB2005	STE TE Connectivity
DIMENSIONS: INCHES		CHK: M. PERCHERKE 14FEB2005	
TOLERANCES UNLESS OTHERWISE SPECIFIED:		APVD: M. PERCHERKE 14FEB2005	NAME: RIGHT ANGLE HEADER ASSEMBLY W/GUIDES MULTI-BEAM XL
0 PLC ± .01		PRODUCT SPEC: 108-1973	
1 PLC ± .01		APPLICATION SPEC: 114-13038	SIZE: CAGE CODE DRAWING NO: A100779 C=6450130
2 PLC ± .01		WEIGHT: -	
3 PLC ± .005		RESTRICTED TO: -	SCALE: 4:1 SHEET 17 OF 28 REV: M2
4 PLC ± .002		Customer Drawing	
ANGLES ± .2°			

LOC	DIST	REVISIONS			
P	LTN	DESCRIPTION	DATE	DMN	APVD
ES	00	SEE SHEET 1			

PART NUMBER	ROWS	POWER		SIGNAL			POWER					
		P1	P2	1	2	3	P3	P4	P5	P6	P7	
9-6450130-2	D	PM	PM	J	J	J	PM	PM	PM	PM	PM	HD
	C			K	K	K						
	B			N	N	N						
	A			S	S	S						
2P + 12S + 5P												

(K2)

PART NUMBER	ROWS	POWER				SIGNAL							POWER				
		P1	P2	P3	P4	1	2	3	4	5	6	7	P5	P6	P7	P8	
2-6450130-4	D	PA	PA	PA	PA	A4	A4	A4	A4	A4	A4	A4	PA	PA	PA	PA	HD
	C					A3	A3	A3	A3	A3	A3						
	B					A2	A2	A2	A2	A2	A2						
	A					A1	A1	A1	A1	A1	A1						
4HDP + 28S + 4HDP																	



THIS DRAWING IS A CONTROLLED DOCUMENT.		DMN: R. GRZYBOWSKI 14FEB2005	 TE Connectivity
DIMENSIONS: INCHES		CHK: M. PERCHERKE 14FEB2005	
TOLERANCES UNLESS OTHERWISE SPECIFIED:		APVD: M. PERCHERKE 14FEB2005	NAME: RIGHT ANGLE HEADER ASSEMBLY W/GUIDES MULTI-BEAM XL PRODUCT SPEC: 108-1973 APPLICATION SPEC: 114-13038
0 PLC ±.01 1 PLC ±.01 2 PLC ±.01 3 PLC ±.005 4 PLC ±.0020 ANGLES ±.020		SIZE: A1 CAGE CODE: 00779 DRAWING NO: C=6450130 WEIGHT: - FINISH: - Customer Drawing	
MATERIAL: -		RESTRICTED TO: -	SCALE: 4:1 SHEET: 18 OF 28 REV: M2

LOC	DIST	REVISIONS			
P	LTN	DESCRIPTION	DATE	DMN	APVD
ES	00	SEE SHEET 1			

(K5)

PART NUMBER	ROWS	POWER		SIGNAL				POWER	
		P1	P2	1	2	3	4	P3	P4
9-6450130-3	D	PM	PM	E	J	J	J	PM	PM
	C			K	K	K	K		
	B			N	N	N	N		
	A			S	S	S	S		

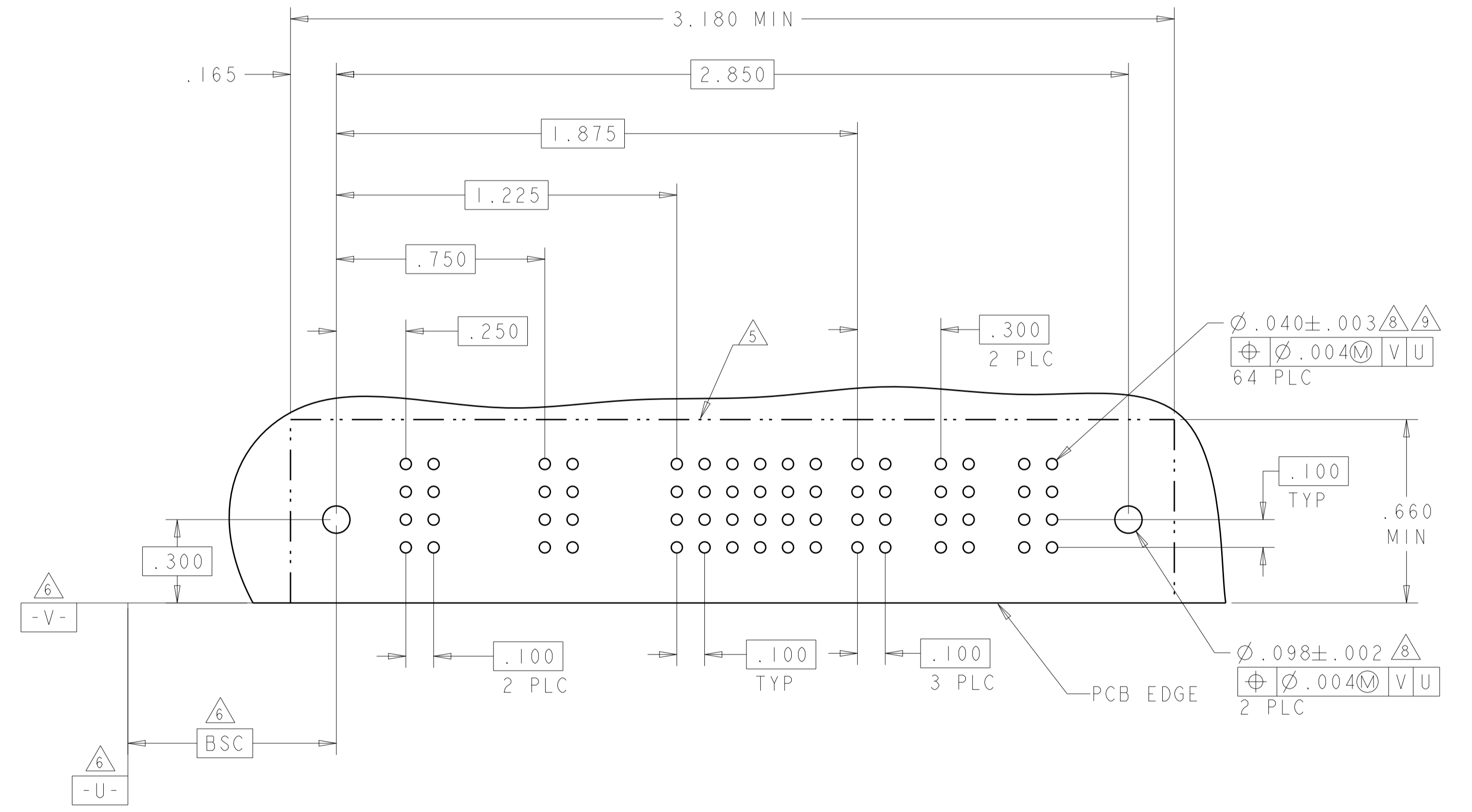
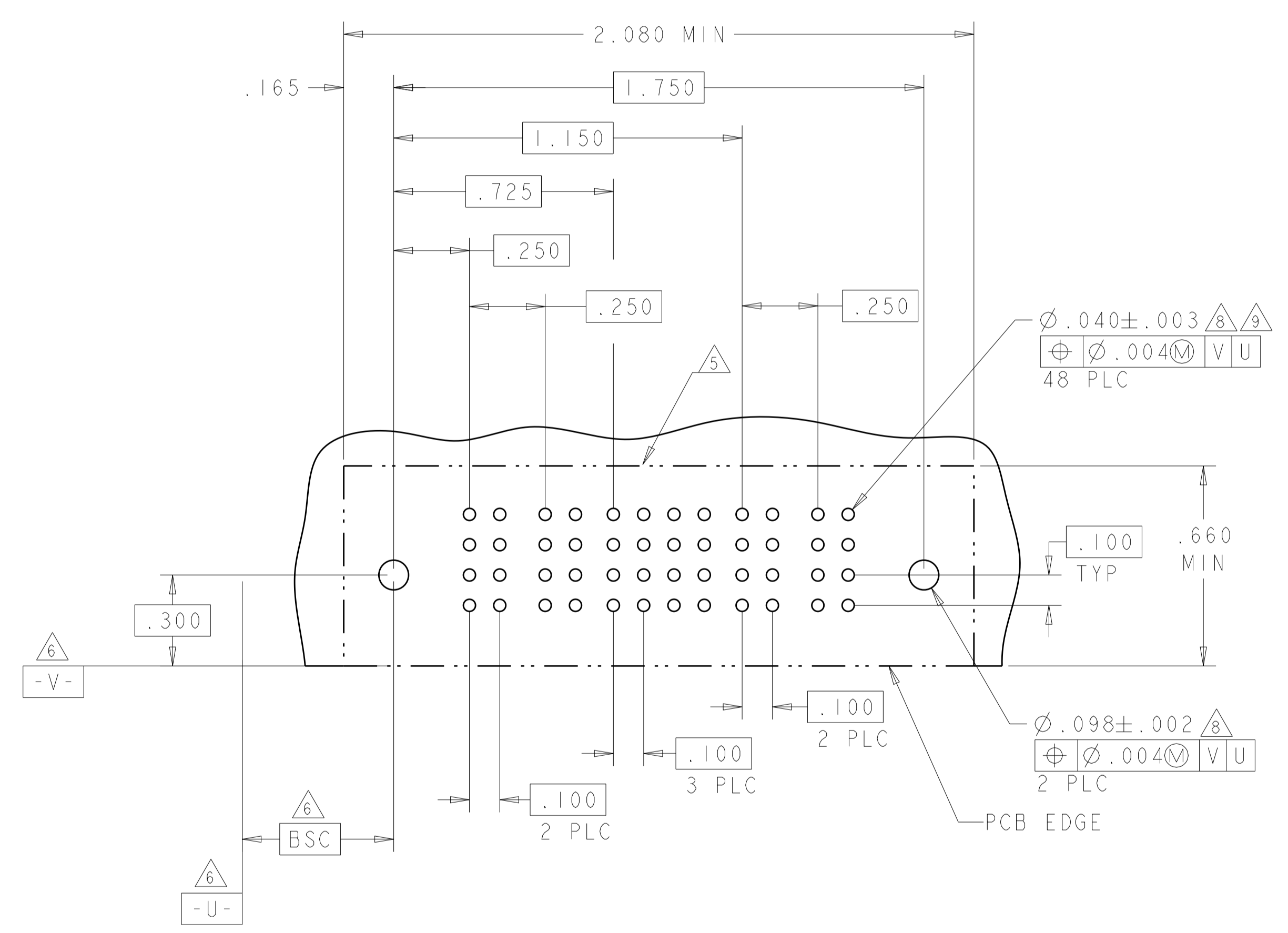
2P + 16S + 2P

(K6)

PART NUMBER	ROWS	POWER				SIGNAL						POWER		
		P1	P2	P3	P4	1	2	3	4	5	6	P5	P6	P7
9-6450130-4	D	PM	PM	PM	PM	J	J	J	J	J	J	PM	PM	PM
	C					K	K	K	K	K	K			
	B					N	N	N	N	N	N			
	A					S	S	S	S	S	H			

4P + 24S + 3ACP

NO CONTACT LOADED



THIS DRAWING IS A CONTROLLED DOCUMENT.

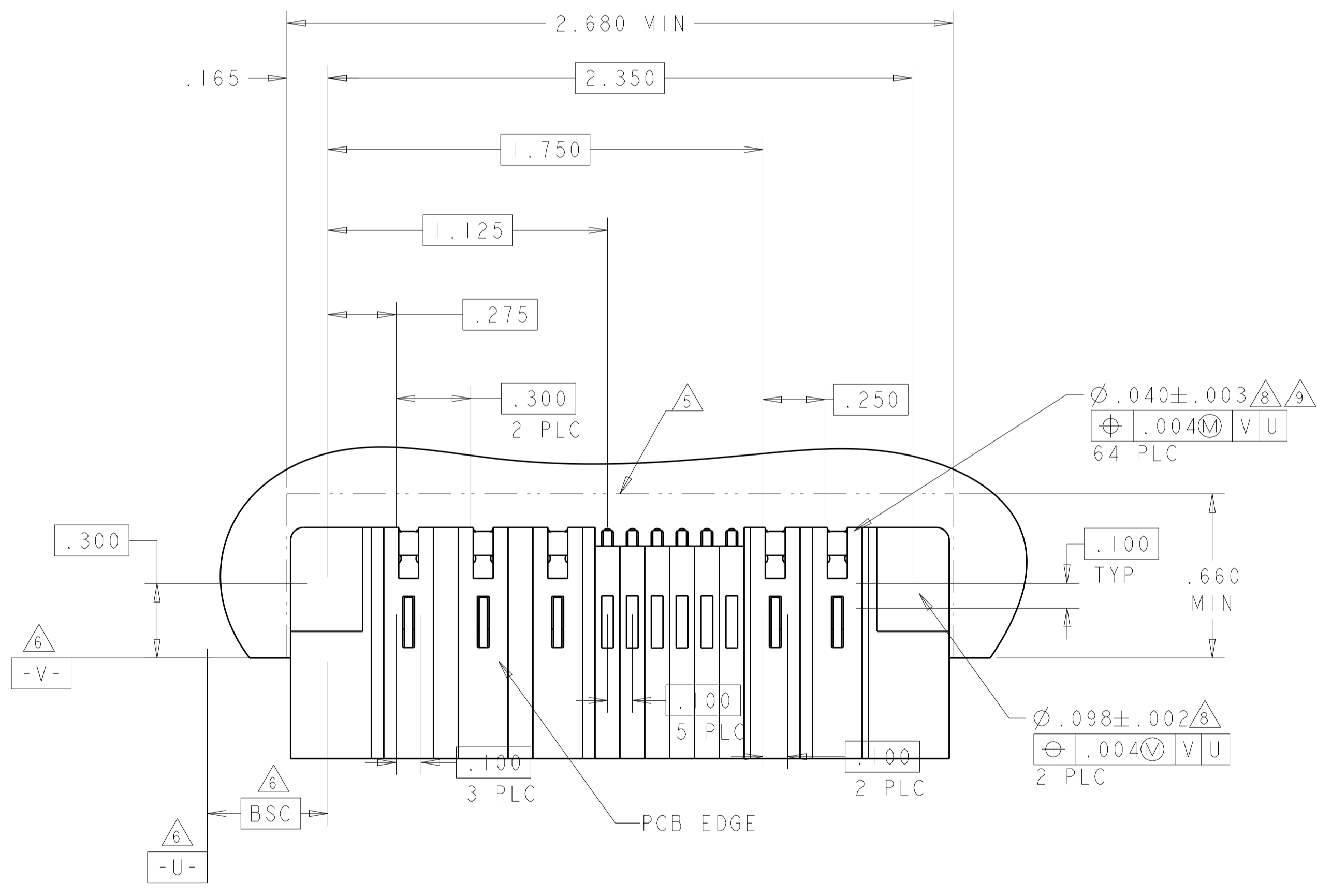
DIMENSIONS:	TOLERANCES UNLESS OTHERWISE SPECIFIED:	DMN: R. GRZYBOWSKI 14FEB2005	CHK: M. PERCHERKE 14FEB2005	APVD: M. PERCHERKE 14FEB2005	NAME: RIGHT ANGLE HEADER ASSEMBLY W/GUIDES MULTI-BEAM XL
INCHES	0 PLC ±.01 1 PLC ±.01 2 PLC ±.01 3 PLC ±.005 4 PLC ±.0020	PRODUCT SPEC: 108-1973	APPLICATION SPEC: 114-13038	SIZE: A1	CAGE CODE: 6450130
MATERIAL:	FINISH:	WEIGHT:	Customer Drawing	SCALE: 4:1	SHEET 19 OF 28

RESTRICTED TO

LOC	DIST	REV	DATE	BY	APP'D
ES	00				
REVISIONS					
P		LTN	DESCRIPTION	DATE	BY
		-	SEE SHEET 1	-	-

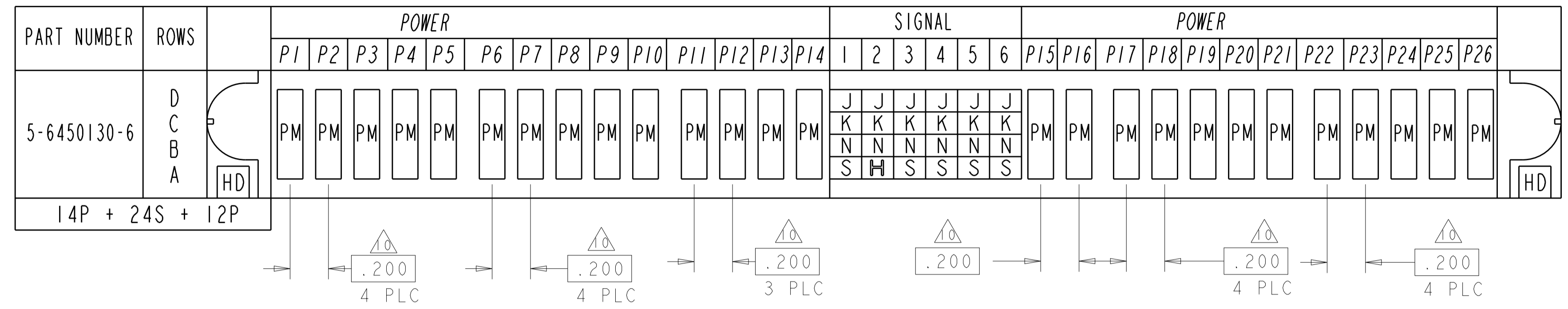
PART NUMBER	ROWS	POWER			SIGNAL						POWER	
		P1	P2	P3	1	2	3	4	5	6	P4	P5
2-6450130-6	D	PM	PM	PM	J	J	J	J	J	J	PM	PM
	C				K	K	K	K	K	K		
	B				N	N	N	N	N	N		
	A				S	S	S	S	S	S		
3ACP + 24S + 2P												

(L1)



THIS DRAWING IS A CONTROLLED DOCUMENT.		OWN: R.GRZYBOWSKI 14FEB2005 CHK: M.PERCHEKKE 14FEB2005 APVD: M.PERCHEKKE 14FEB2005			
DIMENSIONS: INCHES		DIMENSIONS: INCHES 0 PLC ±. 1 PLC ±.01 2 PLC ±.01 3 PLC ±.005 4 PLC ±.0020 ANGLES ±7°			
MATERIAL: -		FINISH: -		NAME: RIGHT ANGLE HEADER ASSEMBLY W/GUIDES MULTI-BEAM XL PRODUCT SPEC: 108-1973 APPLICATION SPEC: 114-13038 WEIGHT: - SCALE: 4:1 SHEET 20 OF 28 REV M2	

LOC	DIST	REVISIONS					
		P	LTN	DESCRIPTION	DATE	OWN	APVD
ES	00	-	-	SEE SHEET 1	-	-	-



L2

L6

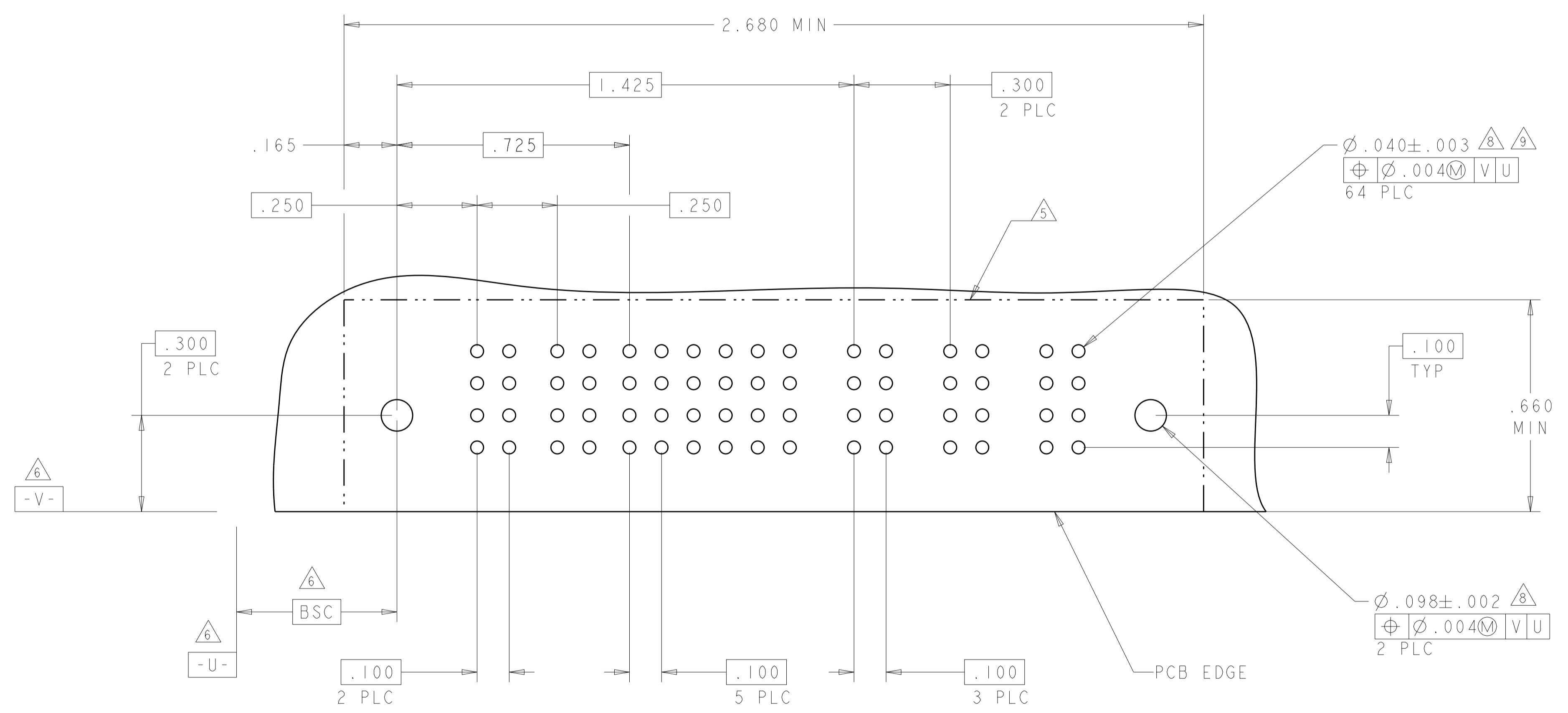
THIS DRAWING IS A CONTROLLED DOCUMENT.

DIMENSIONS: INCHES 	TOLERANCES UNLESS OTHERWISE SPECIFIED: 0 PLC ±. 1 PLC ±.01 2 PLC ±.01 3 PLC ±.005 4 PLC ±.0020 ANGLES ±.7°	OWN: R. GRZYBOWSKI 14FEB2005 CHK: M. PERCHERKE 14FEB2005 APVD: M. PERCHERKE 14FEB2005 PRODUCT SPEC: 108-1973 APPLICATION SPEC: 114-13038 WEIGHT: - Customer Drawing	NAME: RIGHT ANGLE HEADER ASSEMBLY W/GUIDES MULTI-BEAM XL SIZE: A1 CAGE CODE: 100779 DRAWING NO: C=6450130 SCALE: 4:1 SHEET: 21 OF 28 REV: M2	TE Connectivity
---------------------------	--	---	--	-----------------

LOC	DIST	REVISIONS					
		P	LTN	DESCRIPTION	DATE	DWN	APVD
ES	00	-	-	SEE SHEET 1	-	-	-

PART NUMBER	ROWS	POWER		SIGNAL						POWER		
		P1	P2	1	2	3	4	5	6	P3	P4	P5
9-6450130-5	D	PM	PM	J	J	E	J	J	J	PM	PM	PM
	C			K	K	K	K	K				
	B			N	N	G	N	N	N			
	A			S	S	S	S	S	S			

2P + 24S + 3ACP



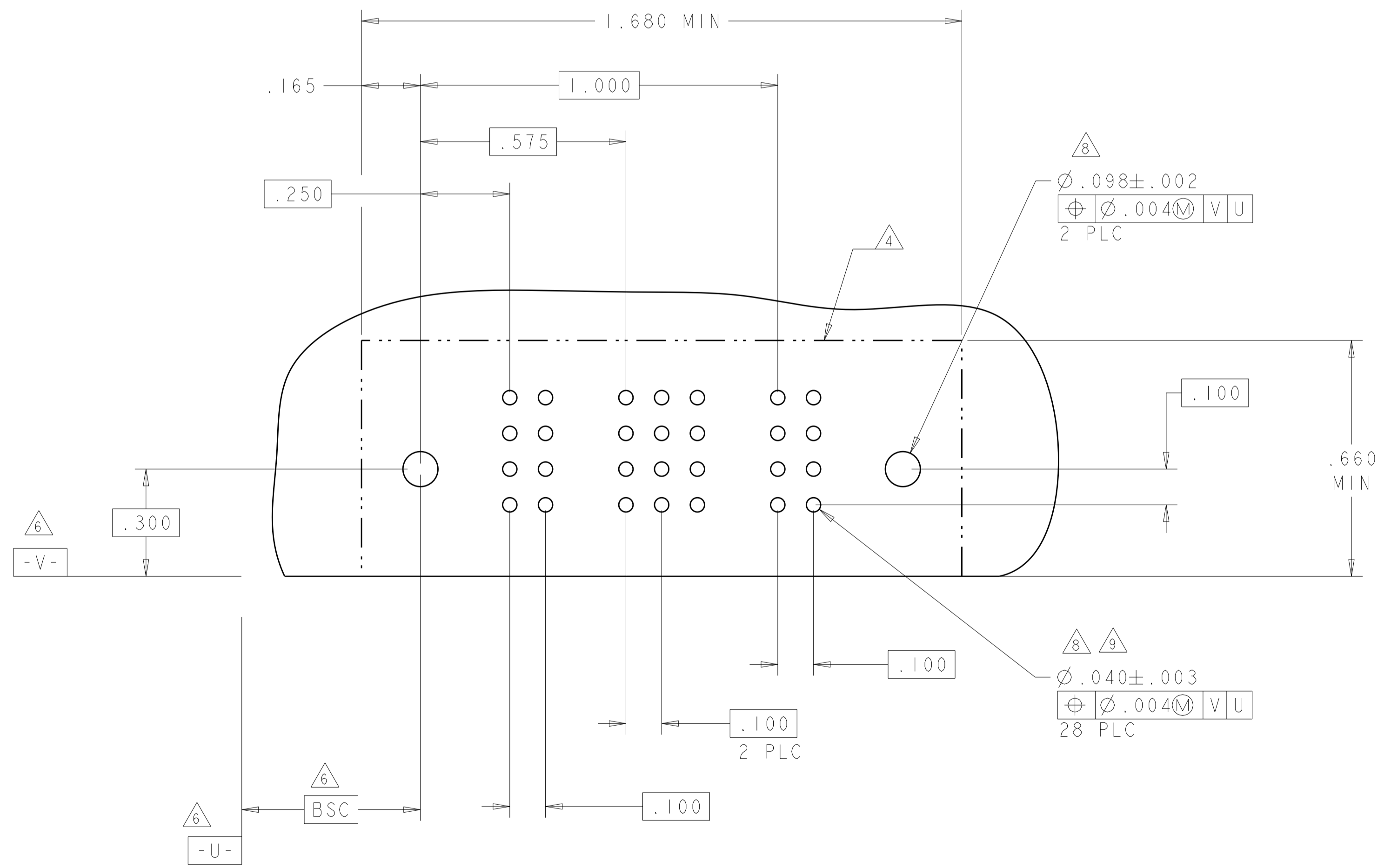
THIS DRAWING IS A CONTROLLED DOCUMENT.		DWN: R. GRZYBOWSKI 14FEB2005	 TE Connectivity
DIMENSIONS: INCHES		CHK: M. PERCHERKE 14FEB2005	
TOLERANCES UNLESS OTHERWISE SPECIFIED:		APVD: M. PERCHERKE 14FEB2005	NAME: RIGHT ANGLE HEADER ASSEMBLY W/GUIDES MULTI-BEAM XL
0 PLC ±	1 PLC ±.01	PRODUCT SPEC	SIZE: 108-1973
2 PLC ±.01	3 PLC ±.005	APPLICATION SPEC	RESTRICTED TO
4 PLC ±.0020	ANGLES ±.2°	114-13038	SCALE: 4:1
MATERIAL: -	FINISH: -	WEIGHT: -	SHEET 22 OF 28
Customer Drawing		Customer Drawing	REV: M2

LOC	DIST	REV	DATE	BY	APPV
ES	00				
REVISIONS			DESCRIPTION	DATE	BY
			SEE SHEET 1		

PART NUMBER	ROWS	POWER		SIGNAL					POWER	
		PI	1	2	3	4	5	P2		
9-6450130-6	D	PM		E	J	J			PM	
	C			K	K	K				
	B			N	N	N				
	A			S	S	S				

IP + 20S + IP

NO CONTACTS LOADED



THIS DRAWING IS A CONTROLLED DOCUMENT.		OWN: R. GRZYBOWSKI 14FEB2005	 TE Connectivity
DIMENSIONS: INCHES		CHK: M. PERCHERKE 14FEB2005	
TOLERANCES UNLESS OTHERWISE SPECIFIED:		APVD: M. PERCHERKE 14FEB2005	NAME: RIGHT ANGLE HEADER ASSEMBLY W/GUIDES MULTI-BEAM XL
0 PLC ±.01		PRODUCT SPEC: 108-1973	SIZE: CAGE CODE DRAWING NO: A100779C=6450130
1 PLC ±.01		APPLICATION SPEC: 114-13038	RESTRICTED TO: -
2 PLC ±.005		WEIGHT: -	SCALE: 4:1 SHEET 23 OF 28 REV: M2
3 PLC ±.002		MATERIAL: -	Customer Drawing
ANGLES: #7°		FINISH: -	

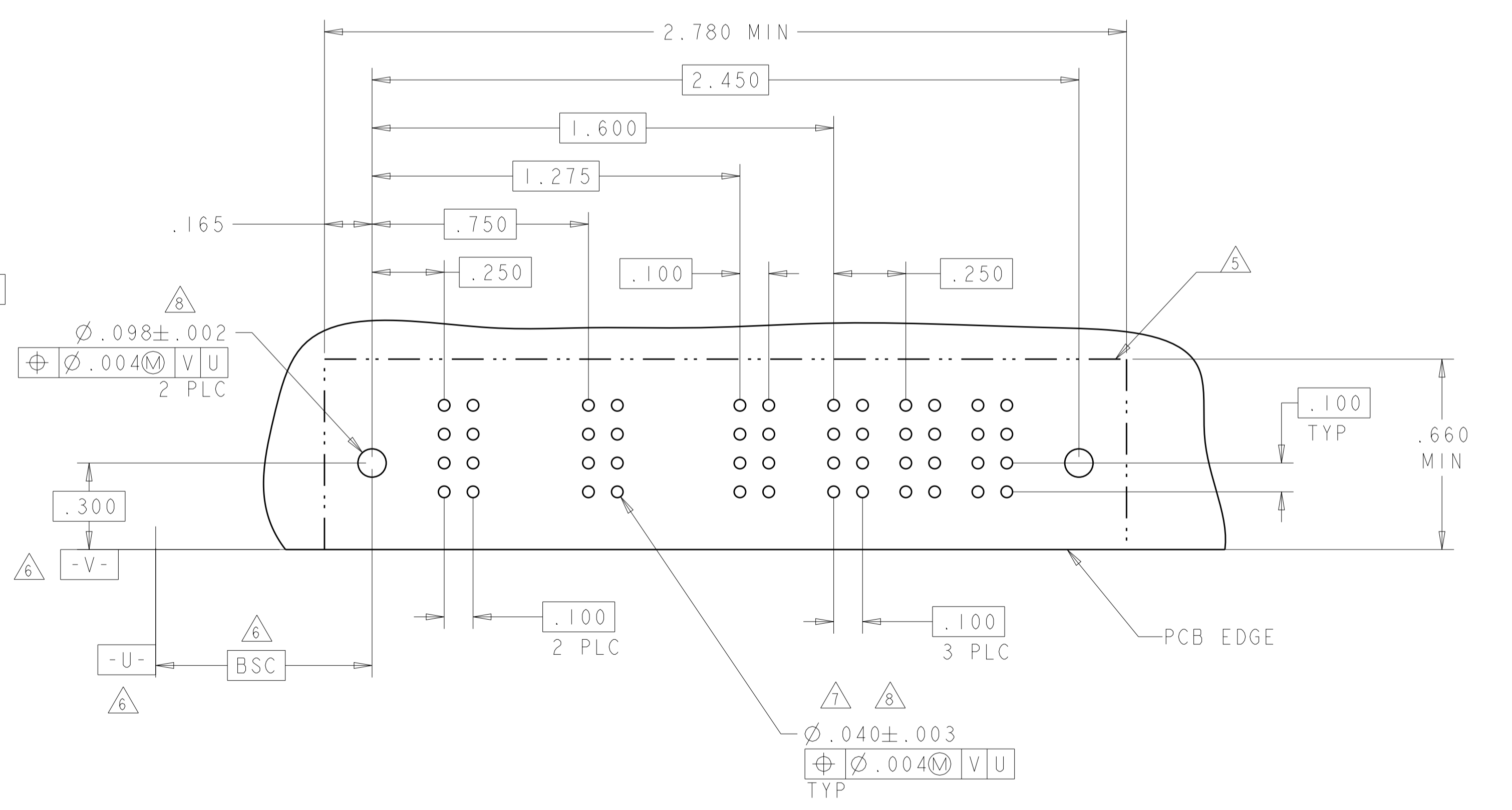
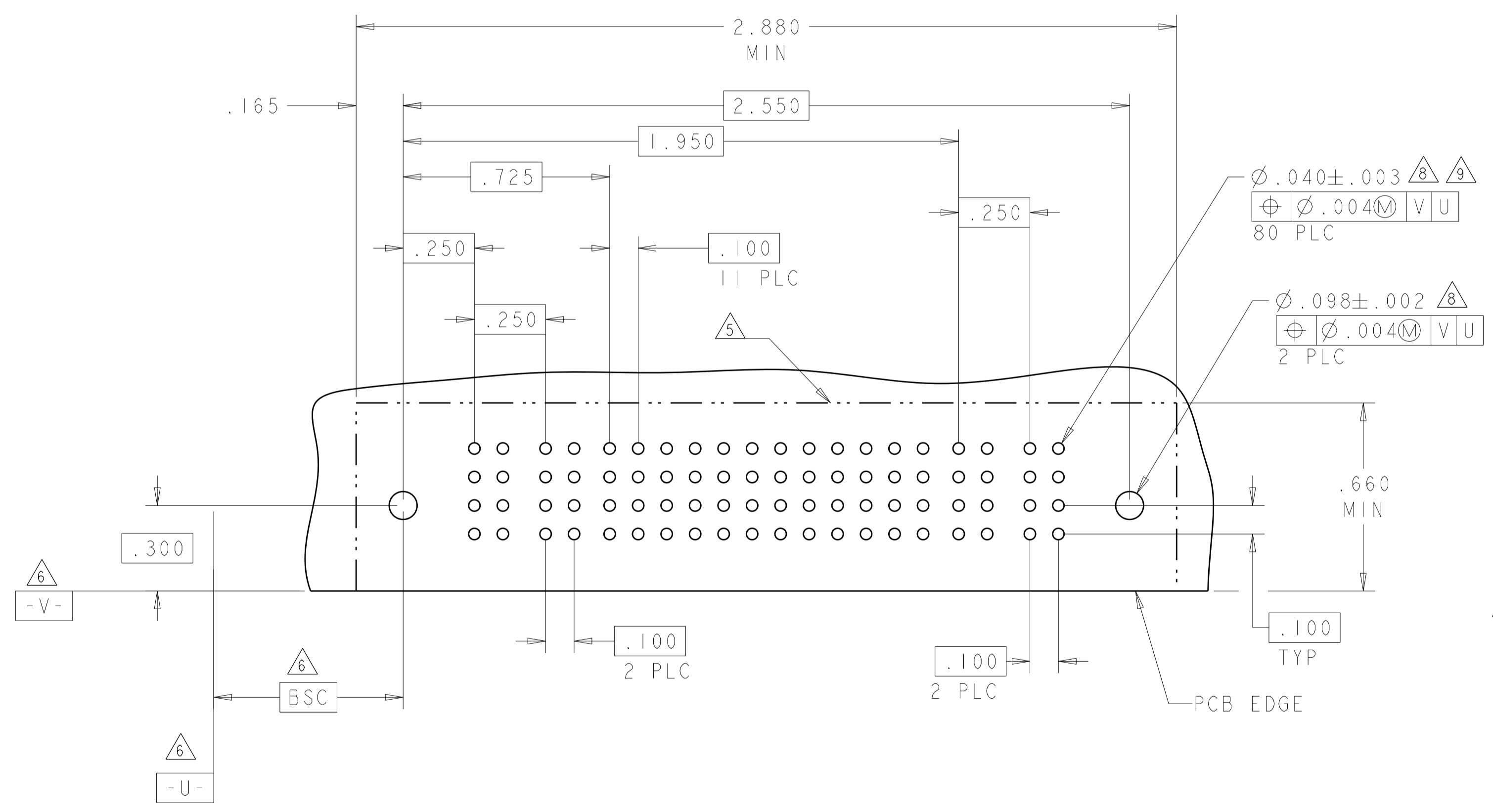
LOC	DIST	REV	DATE	BY	APPV
ES	00				
DESCRIPTION			DATE	BY	APPV
SEE SHEET 1					

PART NUMBER	ROWS	POWER		SIGNAL												POWER			
		P1	P2	1	2	3	4	5	6	7	8	9	10	11	12	P3	P4		
6-6450130-9	D	PM	PM	E	J	J	J	J	J	J	J	J	J	J	J	E	PM	PM	
	C			K	K	K	K	K	K	K	K	K	K	K	K	K			
	B			N	N	N	N	N	N	N	N	N	N	N	N	N			N
	A			H	S	S	S	S	S	S	S	S	S	S	S	H			
2P + 48S + 2P																			

PART NUMBER	ROWS	POWER			SIGNAL						POWER								
		P1	P2	P3	1	2	3	4	5	6	P4	P5	P6						
9-6450130-7	D	PM	PM	PM				E	E										
	C							F	F										
	B							G	G										
	A							H	H										
3P + 24S + 3P																			

(L5)

NO CONTACT LOADED



THIS DRAWING IS A CONTROLLED DOCUMENT.

OWN: R. GRZYBOWSKI 14FEB2005
 CHK: M. PERCHERKE 14FEB2005
 APVD: M. PERCHERKE 14FEB2005

TE Connectivity

RIGHT ANGLE HEADER ASSEMBLY W/GUIDES MULTI-BEAM XL

PRODUCT SPEC: 108-1973
 APPLICATION SPEC: 114-13038

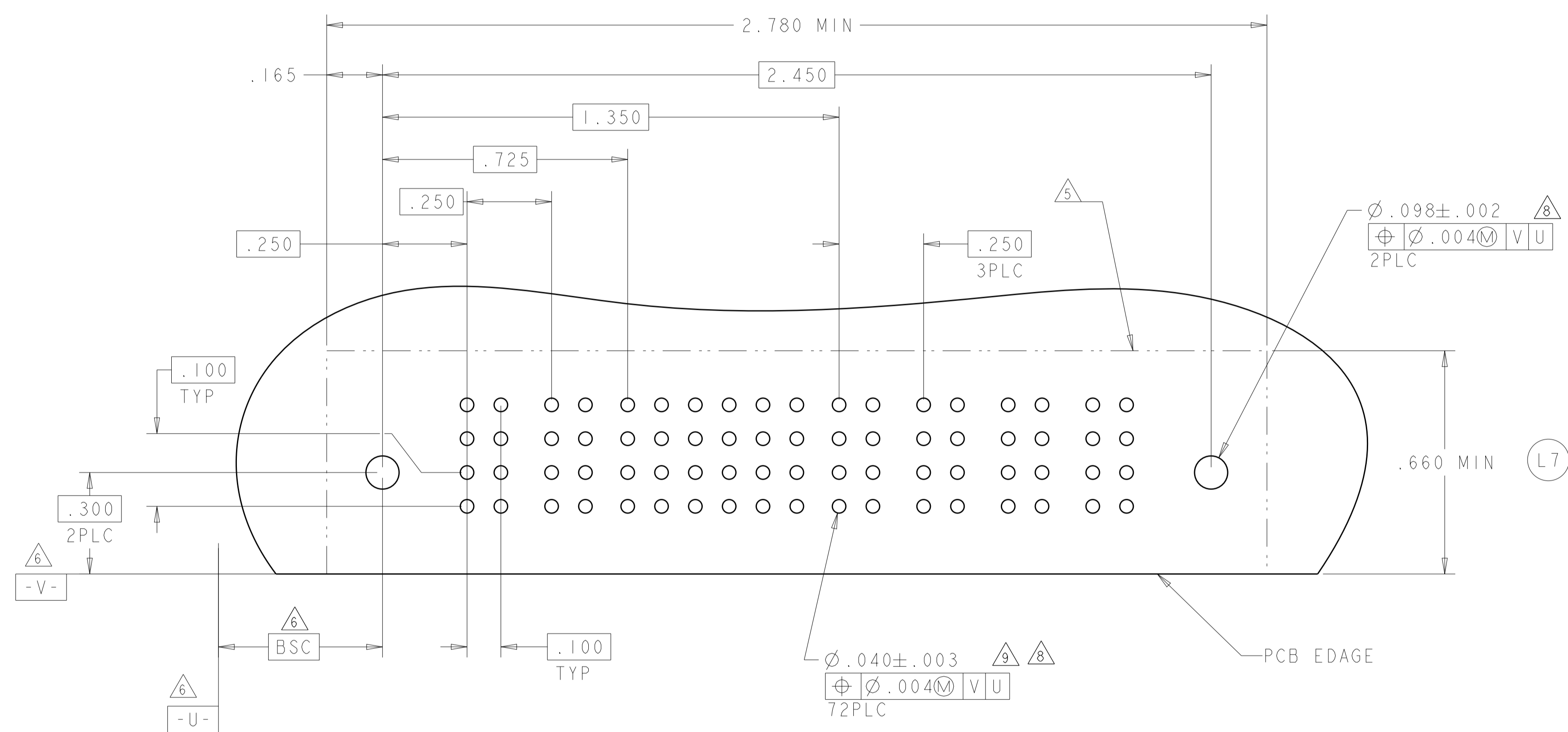
SIZE: A1
 CAGE CODE: 6450130
 DRAWING NO: 100779

Customer Drawing

SCALE: 4:1
 SHEET: 24 OF 28
 REV: M2

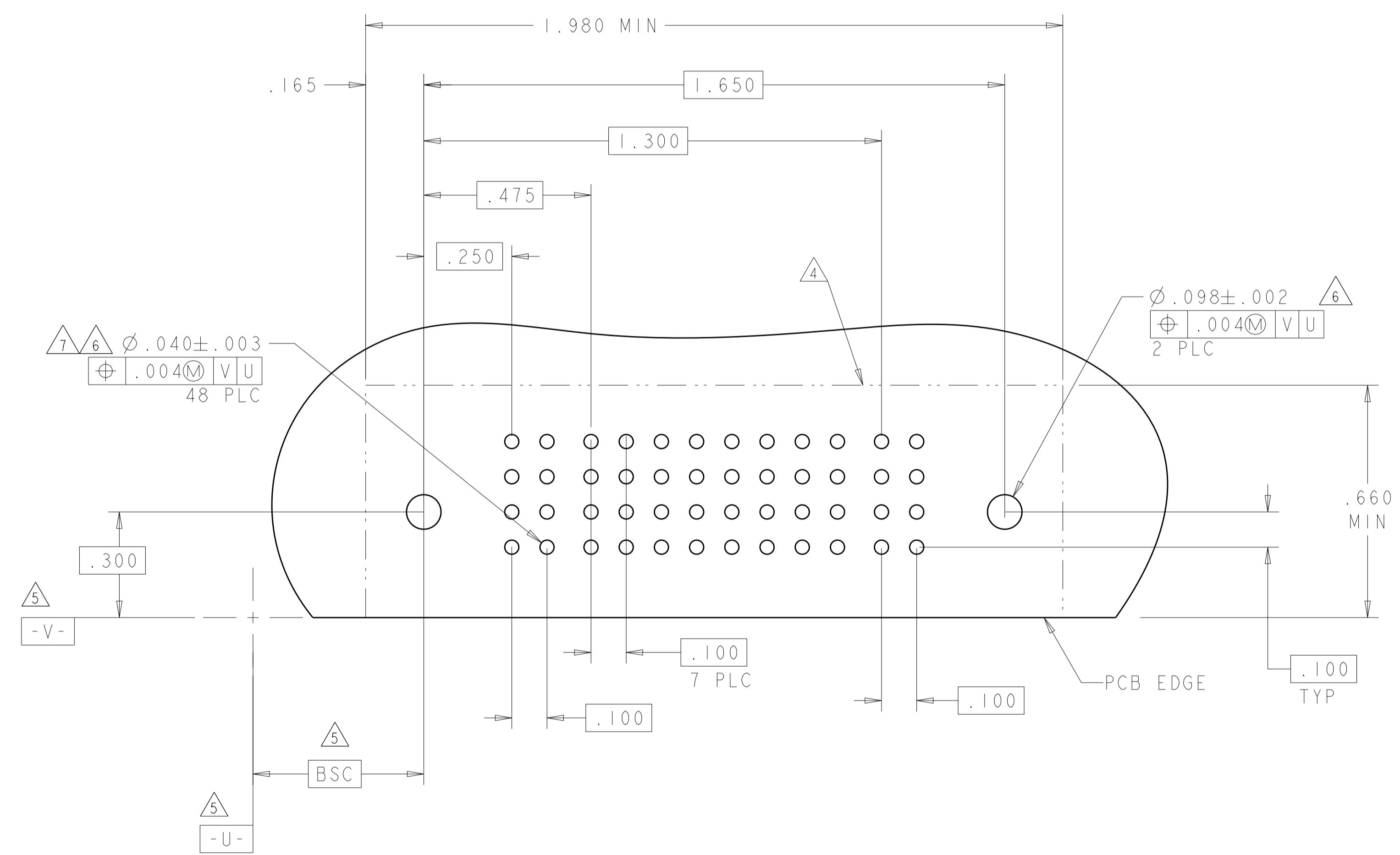
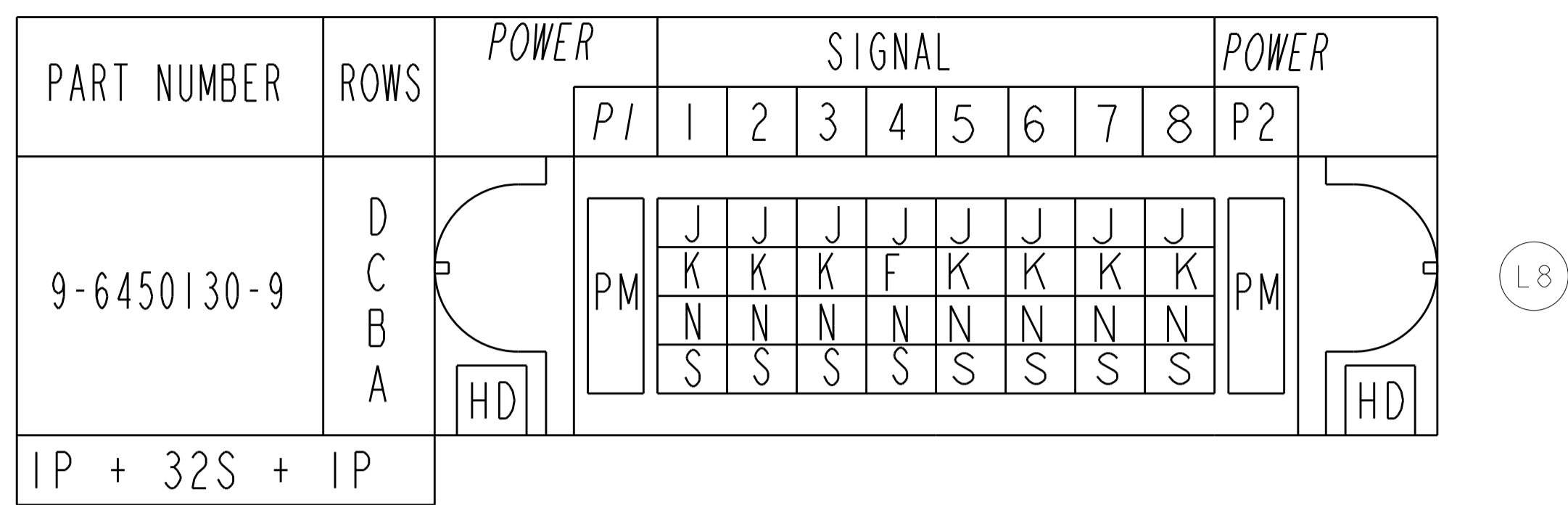
LOC	DIST	REVISIONS					
		P	LTH	DESCRIPTION	DATE	DWN	APVD
ES	00	-	-	SEE SHEET 1	-	-	-

PART NUMBER	ROWS	POWER		SIGNAL						POWER			
		P1	P2	1	2	3	4	5	6	P3	P4	P5	P6
9-6450130-8	D	PM	PM	E	J	J	J	J	E	PM	PM	PM	PM
	C			F	K	K	K	K	F				
	B			N	N	N	N	N	N				
	A			S	S	S	S	S	S				
2P + 24S + 4P		HD								HD			



THIS DRAWING IS A CONTROLLED DOCUMENT.		DWN: R. GRZYBOWSKI 14FEB2005	 TE Connectivity
DIMENSIONS: INCHES		CHK: M. PERCHERKE 14FEB2005	
TOLERANCES UNLESS OTHERWISE SPECIFIED: 0 PLC ±. 1 PLC ±.01 2 PLC ±.01 3 PLC ±.005 4 PLC ±.0020 ANGLES ±.2°		APVD: M. PERCHERKE 14FEB2005	NAME: RIGHT ANGLE HEADER ASSEMBLY W/GUIDES MULTI-BEAM XL
		PRODUCT SPEC: 108-1973	SIZE: A1
MATERIAL: -		APPLICATION SPEC: 114-13038	CAGE CODE: C=6450130
FINISH: -		WEIGHT: -	RESTRICTED TO: -
Customer Drawing		SCALE: 4:1	SHEET 25 OF 28 REV: M2

LOC	DIST	REV	DATE	BY	APPV
ES	00				
		DESCRIPTION		DATE	BY
		SEE SHEET 1			



THIS DRAWING IS A CONTROLLED DOCUMENT.

OWN: R. GRZYBOWSKI 14FEB2005
 CHK: M. PERCHERKE 14FEB2005
 APVD: M. PERCHERKE 14FEB2005

TE Connectivity

NAME: RIGHT ANGLE HEADER ASSEMBLY W/GUIDES MULTI-BEAM XL

PRODUCT SPEC: 108-1973
 APPLICATION SPEC: 114-13038

SIZE: A1 CAGE CODE: 6450130 DRAWING NO: 100779
 RESTRICTED TO: -

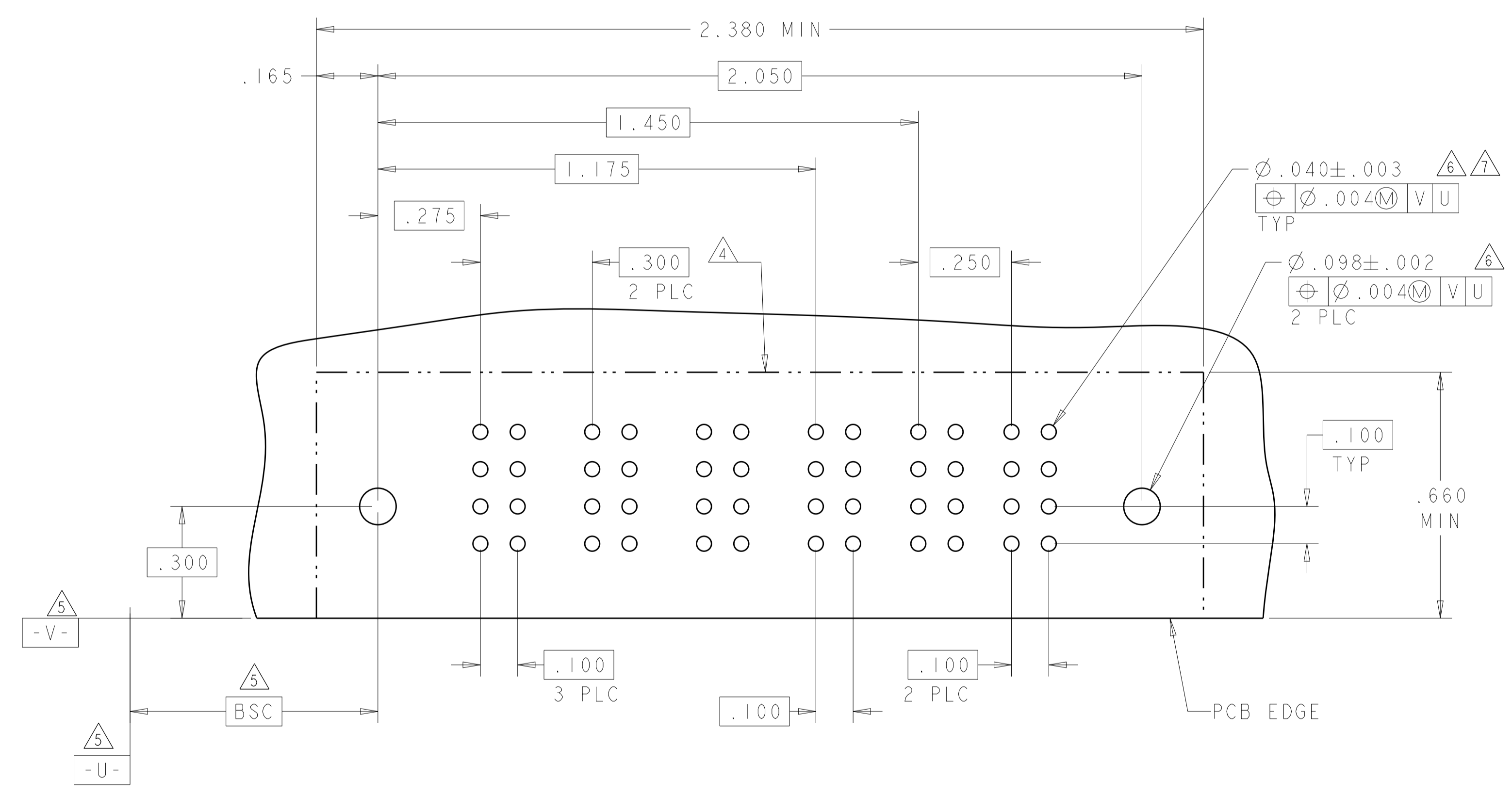
MATERIAL: - FINISH: - WEIGHT: -

Customer Drawing SCALE: 4:1 SHEET: 26 OF 28 REV: M2

LOC	DIST	REVISIONS			
P	LTN	DESCRIPTION	DATE	DMN	APVD
-	-	SEE SHEET 1	-	-	-

(L9)

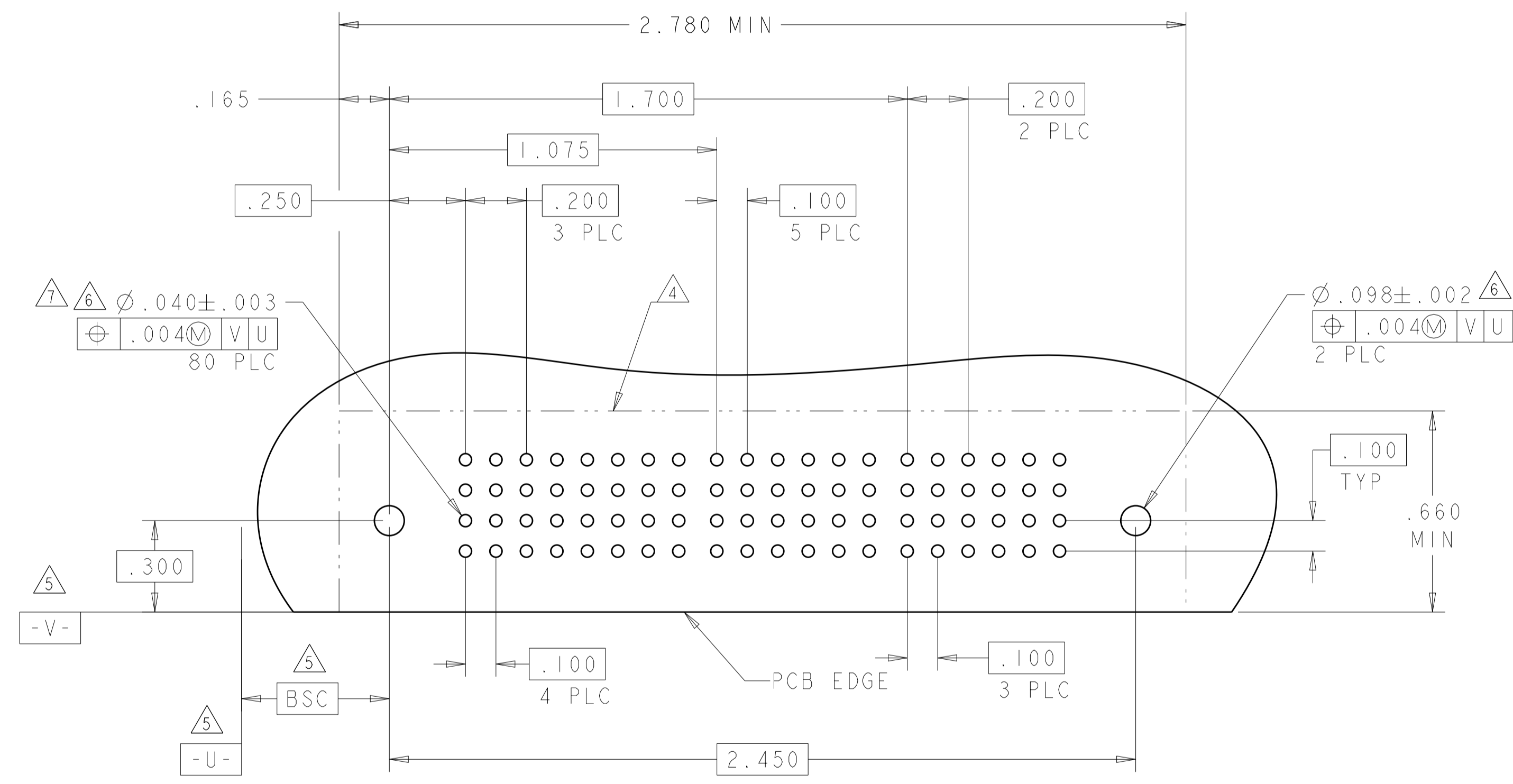
PART NUMBER	ROWS	POWER			SIGNAL		POWER	
		P1	P2	P3	1	2	P4	P5
7-6450130-1	D	PM	PM	PM	J	J	PM	PM
	C				K	K		
	B				N	N		
	A				H	S		
3ACP + 8S + 2P		HD					HD	



THIS DRAWING IS A CONTROLLED DOCUMENT.		DMN: R. GRZYBOWSKI 14FEB2005	 TE Connectivity
DIMENSIONS: INCHES		CHK: M. PERCHERKE 14FEB2005	
TOLERANCES UNLESS OTHERWISE SPECIFIED: 0 PLC ±. 1 PLC ±.01 2 PLC ±.01 3 PLC ±.005 4 PLC ±.0020 ANGLES ±.2°		APVD: M. PERCHERKE 14FEB2005	NAME: RIGHT ANGLE HEADER ASSEMBLY W/GUIDES MULTI-BEAM XL
		PRODUCT SPEC: 108-1973	RESTRICTED TO:
MATERIAL: -		APPLICATION SPEC: 114-13038	SIZE: A1
FINISH: -		WEIGHT: -	CAGE CODE: C=6450130
Customer Drawing		SCALE: 4:1	SHEET 27 OF 28 REV: M2

LOC		DIST		REVISIONS			
P	LTN	DESCRIPTION	DATE	DMN	APVD		
-	-	SEE SHEET 1	-	-	-		

PART NUMBER	ROWS		POWER				SIGNAL						POWER			
			P1	P2	P3	P4	1	2	3	4	5	6	P5	P6	P7	
5-6450130-3	D C B A	HD	PM	PM	PM	PM	J	J	J	J	J	J	PM	PM	PM	HD
			PM	PM	PM	PM	K	K	K	K	K	K	PM	PM	PM	HD
			PM	PM	PM	PM	N	N	N	N	N	N	PM	PM	PM	HD
			PM	PM	PM	PM	H	S	S	S	S	S	PM	PM	PM	HD
4HDP + 24S + 3HDP																



THIS DRAWING IS A CONTROLLED DOCUMENT.		DMN: R.GRZYBOWSKI 14FEB2005 CHK: M.PERCHEKKE 14FEB2005 APVD: M.PERCHEKKE 14FEB2005	TE Connectivity	
DIMENSIONS: INCHES	TOLERANCES UNLESS OTHERWISE SPECIFIED: 0 PLC ±. 1 PLC ±.01 2 PLC ±.01 3 PLC ±.005 4 PLC ±.0020 ANGLES ±.7°	PRODUCT SPEC: 108-1973 APPLICATION SPEC: 114-13038 WEIGHT: -	NAME: RIGHT ANGLE HEADER ASSEMBLY W/GUIDES MULTI-BEAM XL SIZE: A1 CAGE CODE: 00779 DRAWING NO: 6450130 RESTRICTED TO: -	
MATERIAL: -	FINISH: -	Customer Drawing	SCALE: 4:1	SHEET 28 OF 28 REV: M2

Компания «Океан Электроники» предлагает заключение долгосрочных отношений при поставках импортных электронных компонентов на взаимовыгодных условиях!

Наши преимущества:

- Поставка оригинальных импортных электронных компонентов напрямую с производств Америки, Европы и Азии, а так же с крупнейших складов мира;
- Широкая линейка поставок активных и пассивных импортных электронных компонентов (более 30 млн. наименований);
- Поставка сложных, дефицитных, либо снятых с производства позиций;
- Оперативные сроки поставки под заказ (от 5 рабочих дней);
- Экспресс доставка в любую точку России;
- Помощь Конструкторского Отдела и консультации квалифицированных инженеров;
- Техническая поддержка проекта, помощь в подборе аналогов, поставка прототипов;
- Поставка электронных компонентов под контролем ВП;
- Система менеджмента качества сертифицирована по Международному стандарту ISO 9001;
- При необходимости вся продукция военного и аэрокосмического назначения проходит испытания и сертификацию в лаборатории (по согласованию с заказчиком);
- Поставка специализированных компонентов военного и аэрокосмического уровня качества (Xilinx, Altera, Analog Devices, Intersil, Interpoint, Microsemi, Actel, Aeroflex, Peregrine, VPT, Syfer, Eurofarad, Texas Instruments, MS Kennedy, Miteq, Cobham, E2V, MA-COM, Hittite, Mini-Circuits, General Dynamics и др.);

Компания «Океан Электроники» является официальным дистрибьютором и эксклюзивным представителем в России одного из крупнейших производителей разъемов военного и аэрокосмического назначения «JONHON», а так же официальным дистрибьютором и эксклюзивным представителем в России производителя высокотехнологичных и надежных решений для передачи СВЧ сигналов «FORSTAR».



JONHON

«JONHON» (основан в 1970 г.)

Разъемы специального, военного и аэрокосмического назначения:

(Применяются в военной, авиационной, аэрокосмической, морской, железнодорожной, горно- и нефтедобывающей отраслях промышленности)

«FORSTAR» (основан в 1998 г.)

ВЧ соединители, коаксиальные кабели, кабельные сборки и микроволновые компоненты:

(Применяются в телекоммуникациях гражданского и специального назначения, в средствах связи, РЛС, а так же военной, авиационной и аэрокосмической отраслях промышленности).



Телефон: 8 (812) 309-75-97 (многоканальный)

Факс: 8 (812) 320-03-32

Электронная почта: ocean@oceanchips.ru

Web: <http://oceanchips.ru/>

Адрес: 198099, г. Санкт-Петербург, ул. Калинина, д. 2, корп. 4, лит. А