

A

B

C

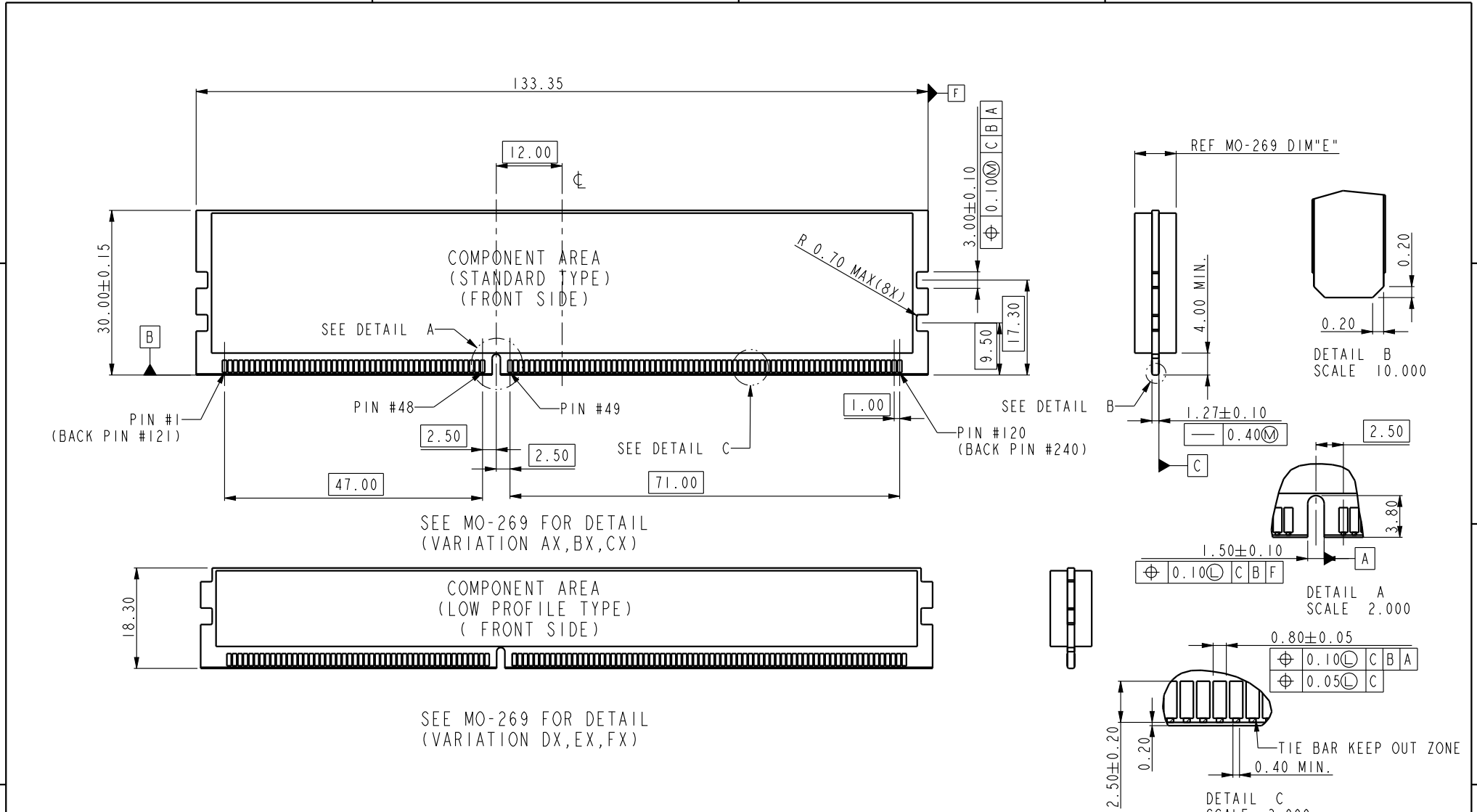
D

A

B

C

D



spec ref		*		dr	Rick Bian	2010/07/04	projection	mm	size	A4	scale	0.500
tolerance std		ASME Y14.5		eng	Jeny Ren	2018/02/08			←→	ecn no	ELX-DG-28885-1	
TOLERANCES UNLESS OTHERWISE SPECIFIED				chr	-	-				rel level	Released	
surface	linear	0.X	±0.30	appr	Nickor Zuo	2018/02/09	product family					
		0.XX	±0.15				SMT DDRIII SOCKET ASS'Y		dwg no	10079248		rev
		0.XXX	±0.05	www.fci.com		cat. no.		Product - Customer Drw		sheet 2 of 5		
	angular	0°	±2°					STATUS:Released		Printed: Feb 09, 2018		

A

B

C

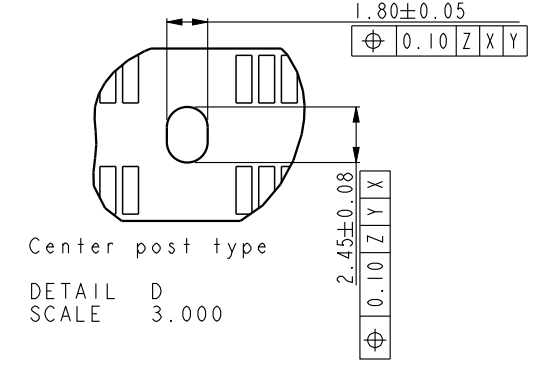
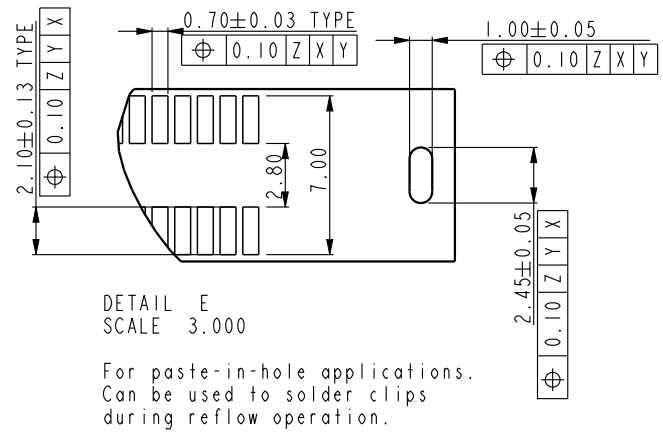
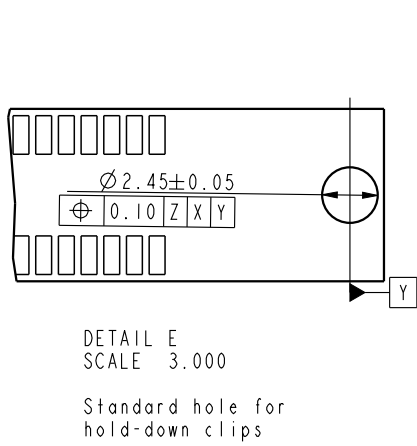
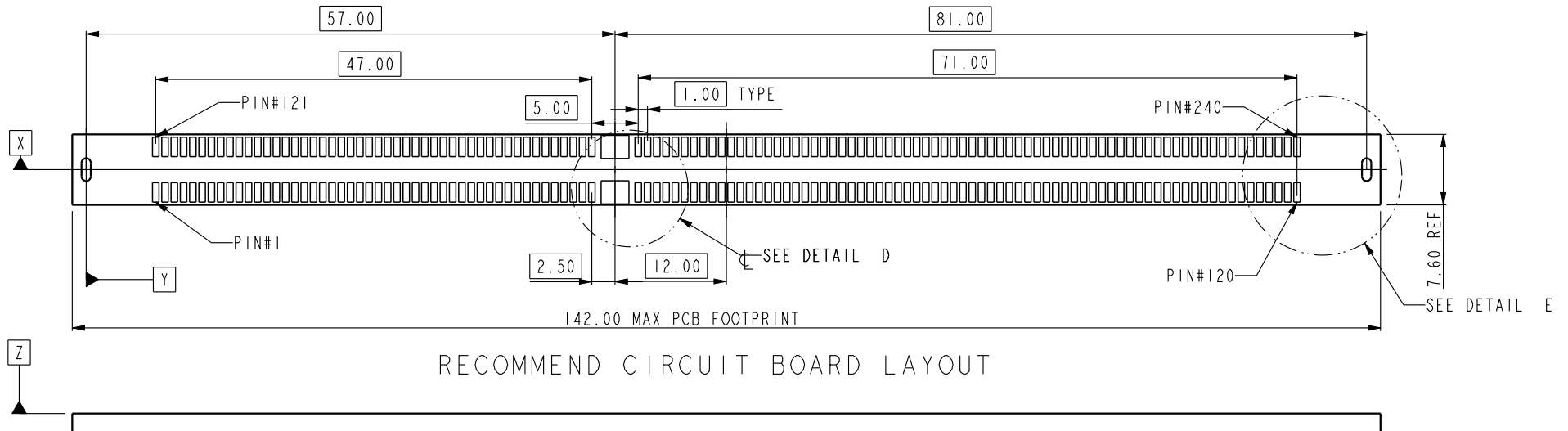
D

A

B

C

D



spec ref *		dr Rick Bian 2010/07/04		projection 	mm 	size A4	scale 0.500				
tolerance std ASME Y14.5	TOLERANCES UNLESS OTHERWISE SPECIFIED	eng Jeny Ren 2018/02/08				ecn no ELX-DG-28885-1					
		chr -				rel level Released					
surface		0.X ± 0.30	Amphenol FCI www.fci.com	title SMT DDRIII SOCKET ASS'Y DDRIII, 240P SOCKET (FOR RDIMM MODULE)		dwg no 10079248		rev Y			
ASME Y14.5	linear	0.XX ± 0.15						cat. no. *	Product - Customer Drw		sheet 3 of 5
	angular	0° $\pm 2^\circ$									

A

B

C

D



SCALE 0.500

10079248-10***
CENTER SMT HOLDOWN TYPE



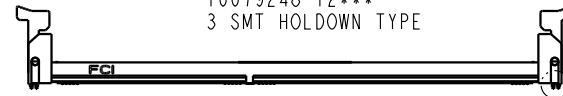
SCALE 0.500

10079248-11***
3 FORK LOCK TYPE



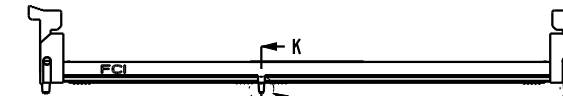
SCALE 0.500

10079248-12***
3 SMT HOLDOWN TYPE



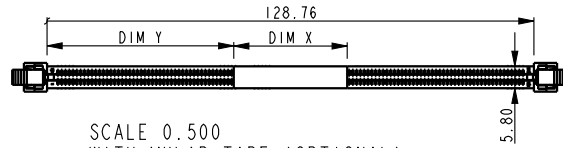
SCALE 0.500

10079248-13***
3 SMT HOLDOWN AND 2 PLASTIC POST TYPE



SCALE 0.500

10079248-15***
3 PLASTIC POST TYPE



SCALE 0.500
WITH MYLAR TAPE (OPTIONAL)

10079248 - □ □ □ □ □

STYLE : MECHANICAL KEYING

1 : 1.5 VOLT. W/ CENTER KEY

HOLD DOWN TYPE

- 0 : CENTER HOLD DOWN, FORKLOCK AT BOTH END
- 1 : 3 FORKLOCK TYPE
- 2 : 3 SMT HOLDOWN TYPE
- 3 : 3 SMT HOLDOWN AND 2 PLASTIC POST
- 5 : 3 PLASTIC POST TYPE

PACKAGE AND MYLAR OPTION

- ~~0 : SOFT TRAY WITHOUT MYLAR (OBSOLETE)~~
- 1 : HARD TRAY WITH MYLAR 1
- 2 : HARD TRAY WITHOUT MYLAR
- ~~3 : SOFT TRAY WITH MYLAR 1 (OBSOLETE)~~
- 4 : SPECIAL HARD TRAY WITH MYLAR 1
- 5 : SPECIAL HARD TRAY WITHOUT MYLAR
- 6 : HARD TRAY WITH MYLAR 2
- 7 : HARD TRAY WITH MYLAR 3
- 8 : HARD TRAY WITH MYLAR 4
- 9 : SMALLER HARD TRAY WITHOUT MYLAR

PLATING

CODE	CONTACT	SOLDERTAIL	UNDERPLATE	NOTE
1	10u" (0.25um) MIN. GOLD	100u" (2.54um) MIN. TIN-LEAD	50u" (1.27um) MIN. NICKEL OVERALL	CONTACT NON-LUBRICANT
2	15u" (0.38um) MIN. GOLD			
3	30u" (0.76um) MIN. GOLD			
4	GOLD FLASH			
5	10u" (0.25um) MIN. GOLD			CONTACT LUBRICATED
6	15u" (0.38um) MIN. GOLD			
7	30u" (0.76um) MIN. GOLD			
8	GOLD FLASH			
3S	5u" (0.125um) MIN. GOLD			CONTACT LUBRICATED WITH HIGH PERFORMANCE POLY A-OLEFIN LUBRICANT
1LF	10u" (0.25um) MIN. GOLD	100u" (2.54um) MIN. 100% MATT TIN	50u" (1.27um) MIN. NICKEL OVERALL	CONTACT NON-LUBRICANT
2LF	15u" (0.38um) MIN. GOLD			
3LF	30u" (0.76um) MIN. GOLD			
4LF	GOLD FLASH			
5LF	10u" (0.25um) MIN. GOLD			CONTACT LUBRICATED
6LF	15u" (0.38um) MIN. GOLD			
7LF	30u" (0.76um) MIN. GOLD			
8LF	GOLD FLASH			
3SLF	5u" (0.125um) MIN. GOLD			CONTACT LUBRICATED WITH HIGH PERFORMANCE POLY A-OLEFIN LUBRICANT
7SLF	30u" (0.76um) MIN. GOLD			

COLOR OF HOUSING AND EJECTOR

- 0 : BLACK HOUSING + IVORY EJECTOR
- 1 : BLACK HOUSING + BLACK EJECTOR
- 2 : BLACK HOUSING + BLUE(661C) EJECTOR
- 3 : BLACK HOUSING + YELLOW(123C) EJECTOR

spec ref	*	dr	Rick Bian	2010/07/04	projection	mm	size	A4	scale	0.500
tolerance std	TOLERANCES UNLESS OTHERWISE SPECIFIED	eng	Jeny Ren	2018/02/08			ecn no	ELX-DG-28885-1		
ASME Y14.5		chr	-	-				rel level	Released	
surface		linear	0.X	±0.30					product family	SMT DDRIII SOCKET ASS'Y DDRIII, 240P SOCKET(FOR RDIMM MODULE)
ASME Y14.5	angular	0°	±2°	www.fci.com	cat. no.	* Product - Customer Drw		sheet 4 of 5		
	linear	0.XX	±0.15				www.fci.com		cat. no.	* Product - Customer Drw
linear	0.XXX	±0.05	www.fci.com	cat. no.	* Product - Customer Drw	sheet 4 of 5				
ASME Y14.5	angular	0°					±2°	www.fci.com	cat. no.	* Product - Customer Drw
ASME Y14.5	angular	0°	±2°	www.fci.com	cat. no.	* Product - Customer Drw	sheet 4 of 5			
ASME Y14.5	angular	0°	±2°					www.fci.com	cat. no.	* Product - Customer Drw
ASME Y14.5	angular	0°	±2°	www.fci.com	cat. no.	* Product - Customer Drw	sheet 4 of 5			
ASME Y14.5	angular	0°	±2°					www.fci.com	cat. no.	* Product - Customer Drw
ASME Y14.5	angular	0°	±2°	www.fci.com	cat. no.	* Product - Customer Drw	sheet 4 of 5			
ASME Y14.5	angular	0°	±2°					www.fci.com	cat. no.	* Product - Customer Drw
ASME Y14.5	angular	0°	±2°	www.fci.com	cat. no.	* Product - Customer Drw	sheet 4 of 5			
ASME Y14.5	angular	0°	±2°					www.fci.com	cat. no.	* Product - Customer Drw
ASME Y14.5	angular	0°	±2°	www.fci.com	cat. no.	* Product - Customer Drw	sheet 4 of 5			
ASME Y14.5	angular	0°	±2°					www.fci.com	cat. no.	* Product - Customer Drw
ASME Y14.5	angular	0°	±2°	www.fci.com	cat. no.	* Product - Customer Drw	sheet 4 of 5			
ASME Y14.5	angular	0°	±2°					www.fci.com	cat. no.	* Product - Customer Drw
ASME Y14.5	angular	0°	±2°	www.fci.com	cat. no.	* Product - Customer Drw	sheet 4 of 5			
ASME Y14.5	angular	0°	±2°					www.fci.com	cat. no.	* Product - Customer Drw
ASME Y14.5	angular	0°	±2°	www.fci.com	cat. no.	* Product - Customer Drw	sheet 4 of 5			
ASME Y14.5	angular	0°	±2°					www.fci.com	cat. no.	* Product - Customer Drw
ASME Y14.5	angular	0°	±2°	www.fci.com	cat. no.	* Product - Customer Drw	sheet 4 of 5			
ASME Y14.5	angular	0°	±2°					www.fci.com	cat. no.	* Product - Customer Drw
ASME Y14.5	angular	0°	±2°	www.fci.com	cat. no.	* Product - Customer Drw	sheet 4 of 5			
ASME Y14.5	angular	0°	±2°					www.fci.com	cat. no.	* Product - Customer Drw
ASME Y14.5	angular	0°	±2°	www.fci.com	cat. no.	* Product - Customer Drw	sheet 4 of 5			
ASME Y14.5	angular	0°	±2°					www.fci.com	cat. no.	* Product - Customer Drw
ASME Y14.5	angular	0°	±2°	www.fci.com	cat. no.	* Product - Customer Drw	sheet 4 of 5			
ASME Y14.5	angular	0°	±2°					www.fci.com	cat. no.	* Product - Customer Drw
ASME Y14.5	angular	0°	±2°	www.fci.com	cat. no.	* Product - Customer Drw	sheet 4 of 5			
ASME Y14.5	angular	0°	±2°					www.fci.com	cat. no.	* Product - Customer Drw
ASME Y14.5	angular	0°	±2°	www.fci.com	cat. no.	* Product - Customer Drw	sheet 4 of 5			
ASME Y14.5	angular	0°	±2°					www.fci.com	cat. no.	* Product - Customer Drw
ASME Y14.5	angular	0°	±2°	www.fci.com	cat. no.	* Product - Customer Drw	sheet 4 of 5			
ASME Y14.5	angular	0°	±2°					www.fci.com	cat. no.	* Product - Customer Drw
ASME Y14.5	angular	0°	±2°	www.fci.com	cat. no.	* Product - Customer Drw	sheet 4 of 5			
ASME Y14.5	angular	0°	±2°					www.fci.com	cat. no.	* Product - Customer Drw
ASME Y14.5	angular	0°	±2°	www.fci.com	cat. no.	* Product - Customer Drw	sheet 4 of 5			
ASME Y14.5	angular	0°	±2°					www.fci.com	cat. no.	* Product - Customer Drw
ASME Y14.5	angular	0°	±2°	www.fci.com	cat. no.	* Product - Customer Drw	sheet 4 of 5			
ASME Y14.5	angular	0°	±2°					www.fci.com	cat. no.	* Product - Customer Drw
ASME Y14.5	angular	0°	±2°	www.fci.com	cat. no.	* Product - Customer Drw	sheet 4 of 5			
ASME Y14.5	angular	0°	±2°					www.fci.com	cat. no.	* Product - Customer Drw
ASME Y14.5	angular	0°	±2°	www.fci.com	cat. no.	* Product - Customer Drw	sheet 4 of 5			
ASME Y14.5	angular	0°	±2°					www.fci.com	cat. no.	* Product - Customer Drw
ASME Y14.5	angular	0°	±2°	www.fci.com	cat. no.	* Product - Customer Drw	sheet 4 of 5			
ASME Y14.5	angular	0°	±2°					www.fci.com	cat. no.	* Product - Customer Drw
ASME Y14.5	angular	0°	±2°	www.fci.com	cat. no.	* Product - Customer Drw	sheet 4 of 5			
ASME Y14.5	angular	0°	±2°					www.fci.com	cat. no.	* Product - Customer Drw
ASME Y14.5	angular	0°	±2°	www.fci.com	cat. no.	* Product - Customer Drw	sheet 4 of 5			
ASME Y14.5	angular	0°	±2°					www.fci.com	cat. no.	* Product - Customer Drw
ASME Y14.5	angular	0°	±2°	www.fci.com	cat. no.	* Product - Customer Drw	sheet 4 of 5			
ASME Y14.5	angular	0°	±2°					www.fci.com	cat. no.	* Product - Customer Drw
ASME Y14.5	angular	0°	±2°	www.fci.com	cat. no.	* Product - Customer Drw	sheet 4 of 5			
ASME Y14.5	angular	0°	±2°					www.fci.com	cat. no.	* Product - Customer Drw
ASME Y14.5	angular	0°	±2°	www.fci.com	cat. no.	* Product - Customer Drw	sheet 4 of 5			
ASME Y14.5	angular	0°	±2°					www.fci.com	cat. no.	* Product - Customer Drw
ASME Y14.5	angular	0°	±2°	www.fci.com	cat. no.	* Product - Customer Drw	sheet 4 of 5			
ASME Y14.5	angular	0°	±2°					www.fci.com	cat. no.	* Product - Customer Drw
ASME Y14.5	angular	0°	±2°	www.fci.com	cat. no.	* Product - Customer Drw	sheet 4 of 5			
ASME Y14.5	angular	0°	±2°					www.fci.com	cat. no.	* Product - Customer Drw
ASME Y14.5	angular	0°	±2°	www.fci.com	cat. no.	* Product - Customer Drw	sheet 4 of 5			
ASME Y14.5	angular	0°	±2°					www.fci.com	cat. no.	* Product - Customer Drw
ASME Y14.5	angular	0°	±2°	www.fci.com	cat. no.	* Product - Customer Drw	sheet 4 of 5			
ASME Y14.5	angular	0°	±2°					www.fci.com	cat. no.	* Product - Customer Drw
ASME Y14.5	angular	0°	±2°	www.fci.com	cat. no.	* Product - Customer Drw	sheet 4 of 5			
ASME Y14.5	angular	0°	±2°					www.fci.com	cat. no.	* Product - Customer Drw
ASME Y14.5	angular	0°	±2°	www.fci.com	cat. no.	* Product - Customer Drw	sheet 4 of 5			
ASME Y14.5	angular	0°	±2°					www.fci.com	cat. no.	* Product - Customer Drw
ASME Y14.5	angular	0°	±2°	www.fci.com	cat. no.	* Product - Customer Drw	sheet 4 of 5			
ASME Y14.5	angular	0°	±2°					www.fci.com	cat. no.	* Product - Customer Drw
ASME Y14.5	angular	0°	±2°	www.fci.com	cat. no.	* Product - Customer Drw	sheet 4 of 5			
ASME Y14.5	angular	0°	±2°					www.fci.com	cat. no.	* Product - Customer Drw
ASME Y14.5	angular	0°	±2°	www.fci.com	cat. no.	* Product - Customer Drw	sheet 4 of 5			
ASME Y14.5	angular	0°	±2°					www.fci.com	cat. no.	* Product - Customer Drw
ASME Y14.5	angular	0°	±2°	www.fci.com	cat. no.	* Product - Customer Drw	sheet 4 of 5			
ASME Y14.5	angular	0°	±2°					www.fci.com	cat. no.	* Product - Customer Drw
ASME Y14.5										

A

B

C

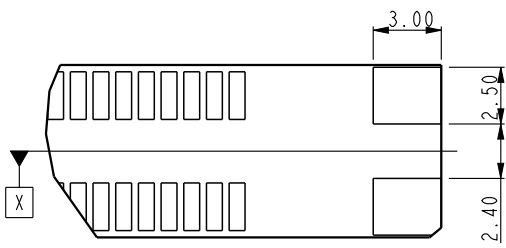
D

A

B

C

D



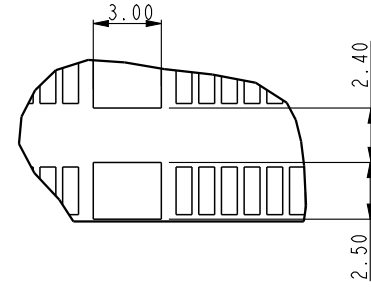
DETAIL E
SCALE 3.000

For smt holddown type



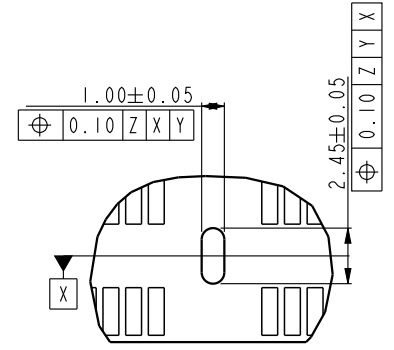
DETAIL E
SCALE 3.000

For 3smt holddown + 2plastic post type



Center smt holddown type

DETAIL D
SCALE 3.000

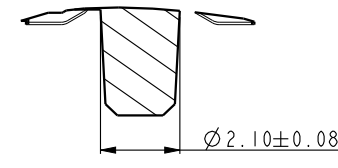


Center forklock type

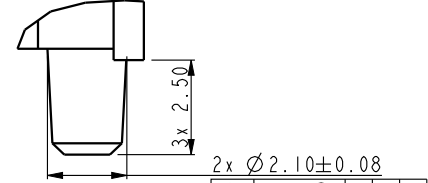
DETAIL D
SCALE 3.000

NOTES:

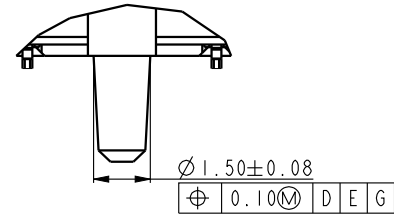
1. MATERIAL:
HOUSING: HIGH PERFORMANCE RESINS, GLASS FILLED UL94V-0 RATED.
EJECTOR: HIGH PERFORMANCE RESINS, GLASS FILLED UL94V-0 RATED.
TERMINAL: HIGH PERFORMANCE COPPER ALLOY
METAL CLIP: COPPER ALLOY.
2. FCI LOGO TO BE APPROXIMATELY LOCATED AS SHOWN ON PRINT.
3. PRODUCT SPECIFICATION: GS-12-486.
4. PACKAGING SPECIFICATION: GS-14-899.
5. RECOMMENDED STENCIL THICKNESS NO LESS THAN 0.15 mm.
6. FOR OPTIMUM PERFORMANCE. THE TIE BAR IS TO BE ON AN INTERNAL LAYER SO THAT THE REMNANT CANNOT CAUSE CONTACT DAMAGE.
7. THE DATE CODE IS SHOWN "MMDDYY*": "*" MEANS PRODUCTION LINE.
8. THIS PRODUCT MEETS EUROPEAN UNION DIRECTIVES AND OTHER COUNTRY REGULATIONS AS DESCRIBED IN GS-22-008.
9. THE HOUSING WILL WITH STAND EXPOSURE TO 260°C PEAK TEMPERATURE FOR 10 SECONDS IN AN IR REFLOW SOLDERING APPLICATION.
10. PRODUCT APPLICATION SPEC GS-20-089.
11. THE HOLDOWN TYPES ARE OPTION FOR HOLDOWN OR FORKLOCK.



SECTION K-K
SCALE 5.000



DETAIL M
SCALE 5.000



DETAIL J
SCALE 5.000

spec ref		*		dr	Rick Bian	2010/07/04	projection 	mm ←→	size	A4	scale	0.500		
tolerance std		TOLERANCES UNLESS OTHERWISE SPECIFIED		eng	Jeny Ren	2018/02/08			ecn no	ELX-DG-28885-1				
ASME Y14.5				chr	-	-			rel level	Released				
surface ASME Y14.5		linear	0.X	±0.30	Amphenol FCI	title	SMT DDRIII SOCKET ASS'Y DDRIII,240P SOCKET(FOR RDIMM MODULE)				dwg no	10079248	rev	Y
			0.XX	±0.15										
			0.XXX	±0.05										
		angular	0°	±2°	www.fci.com	cat. no.	Product - Customer Drw				sheet 5 of 5			

Компания «Океан Электроники» предлагает заключение долгосрочных отношений при поставках импортных электронных компонентов на взаимовыгодных условиях!

Наши преимущества:

- Поставка оригинальных импортных электронных компонентов напрямую с производств Америки, Европы и Азии, а так же с крупнейших складов мира;
- Широкая линейка поставок активных и пассивных импортных электронных компонентов (более 30 млн. наименований);
- Поставка сложных, дефицитных, либо снятых с производства позиций;
- Оперативные сроки поставки под заказ (от 5 рабочих дней);
- Экспресс доставка в любую точку России;
- Помощь Конструкторского Отдела и консультации квалифицированных инженеров;
- Техническая поддержка проекта, помощь в подборе аналогов, поставка прототипов;
- Поставка электронных компонентов под контролем ВП;
- Система менеджмента качества сертифицирована по Международному стандарту ISO 9001;
- При необходимости вся продукция военного и аэрокосмического назначения проходит испытания и сертификацию в лаборатории (по согласованию с заказчиком);
- Поставка специализированных компонентов военного и аэрокосмического уровня качества (Xilinx, Altera, Analog Devices, Intersil, Interpoint, Microsemi, Actel, Aeroflex, Peregrine, VPT, Syfer, Eurofarad, Texas Instruments, MS Kennedy, Miteq, Cobham, E2V, MA-COM, Hittite, Mini-Circuits, General Dynamics и др.);

Компания «Океан Электроники» является официальным дистрибьютором и эксклюзивным представителем в России одного из крупнейших производителей разъемов военного и аэрокосмического назначения «JONHON», а так же официальным дистрибьютором и эксклюзивным представителем в России производителя высокотехнологичных и надежных решений для передачи СВЧ сигналов «FORSTAR».



JONHON

«JONHON» (основан в 1970 г.)

Разъемы специального, военного и аэрокосмического назначения:

(Применяются в военной, авиационной, аэрокосмической, морской, железнодорожной, горно- и нефтедобывающей отраслях промышленности)

«FORSTAR» (основан в 1998 г.)

ВЧ соединители, коаксиальные кабели,
кабельные сборки и микроволновые компоненты:

(Применяются в телекоммуникациях гражданского и специального назначения, в средствах связи, РЛС, а так же военной, авиационной и аэрокосмической отраслях промышленности).



Телефон: 8 (812) 309-75-97 (многоканальный)

Факс: 8 (812) 320-03-32

Электронная почта: ocean@oceanchips.ru

Web: <http://oceanchips.ru/>

Адрес: 198099, г. Санкт-Петербург, ул. Калинина, д. 2, корп. 4, лит. А