

Features

- Zero input-output propagation delay, adjustable by capacitive load on FBK input
- Multiple configurations, see [Available CY2308 Configurations on page 4](#) for more details
- Multiple low skew outputs
- Two banks of four outputs, three-stateable by two select inputs
- 10 MHz to 133 MHz operating range
- 75 ps typical cycle-to-cycle jitter (15 pF, 66 MHz)
- Space saving 16-pin 150 mil SOIC package or 16-pin TSSOP
- 3.3 V operation
- Industrial temperature available

Functional Description

The CY2308 is a 3.3 V Zero Delay Buffer designed to distribute high speed clocks in PC, workstation, datacom, telecom, and other high performance applications.

The part has an on-chip PLL that locks to an input clock presented on the REF pin. The PLL feedback is driven from external FBK pin, so user has flexibility to choose any one of the outputs as feedback input and connect it to FBK pin. The input-to-output skew is less than 250 ps and output-to-output skew is less than 200 ps.

The CY2308 has two banks of four outputs each that is controlled by the select inputs as shown in the table [Select Input Decoding on page 3](#). If all output clocks are not required, Bank B is three-stated. The input clock is directly applied to the output for chip and system testing purposes by the select inputs.

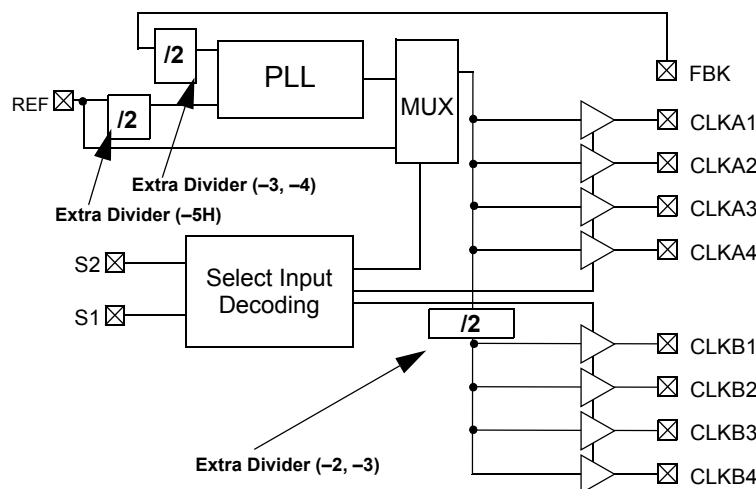
The CY2308 PLL enters a power down state when there are no rising edges on the REF input. In this mode, all outputs are three-stated and the PLL is turned off resulting in less than 25 μ A of current draw. The PLL shuts down in two additional cases as shown in the table [Select Input Decoding on page 3](#).

Multiple CY2308 devices accept the same input clock and distribute it in a system. In this case, the skew between the outputs of two devices is less than 700 ps.

The CY2308 is available in five different configurations as shown in the table [Available CY2308 Configurations on page 4](#).

- The CY2308-1 is the base part where the output frequencies equal the reference if there is no counter in the feedback path. The CY2308-1H is the high drive version of the -1 and rise and fall times on this device are much faster.
- The CY2308-2 enables the user to obtain 2x and 1x frequencies on each output bank. The exact configuration and output frequencies depend on the user's selection of output that drives the feedback pin.
- The CY2308-3 enables the user to obtain 4x and 2x frequencies on the outputs.
- The CY2308-4 enables the user to obtain 2x clocks on all outputs. Thus, the part is extremely versatile and is used in a variety of applications.
- The CY2308-5H is a high drive version with REF/2 on both banks.

Logic Block Diagram



Contents

| | | | |
|--|----------|--|-----------|
| Pinouts | 3 | Switching Waveforms | 9 |
| Pin Definitions - 16-pin SOIC | 3 | Typical Duty Cycle and IDD Trends | 10 |
| Select Input Decoding | 3 | Typical Duty Cycle and IDD Trends | 11 |
| Available CY2308 Configurations | 4 | Test Circuits | 12 |
| Zero Delay and Skew Control | 4 | Ordering Information | 13 |
| Maximum Ratings | 5 | Ordering Code Definitions | 14 |
| Operating Conditions for | | Package Diagrams | 15 |
| Commercial Temperature Devices | 5 | Acronyms | 16 |
| Electrical Characteristics for | | Document Conventions | 16 |
| Commercial Temperature Devices | 5 | Units of Measure | 16 |
| Switching Characteristics for | | Document History Page | 17 |
| Commercial Temperature Devices | 6 | Sales, Solutions, and Legal Information | 18 |
| Operating Conditions for | | Worldwide Sales and Design Support | 18 |
| Industrial Temperature Devices | 7 | Products | 18 |
| Electrical Characteristics for | | PSoC Solutions | 18 |
| Industrial Temperature Devices | 7 | | |
| Switching Characteristics for | | | |
| Industrial Temperature Devices | 8 | | |

Pinouts

Figure 1. Pin Diagram - 16-pin SOIC (Top View)



Pin Definitions - 16-pin SOIC

| Pin | Signal | Description |
|-----|----------------------|---------------------------|
| 1 | REF ^[1] | Input reference frequency |
| 2 | CLKA1 ^[2] | Clock output, Bank A |
| 3 | CLKA2 ^[2] | Clock output, Bank A |
| 4 | V _{DD} | Power supply voltage |
| 5 | GND | Power supply ground |
| 6 | CLKB1 ^[2] | Clock output, Bank B |
| 7 | CLKB2 ^[2] | Clock output, Bank B |
| 8 | S2 ^[3] | Select input, bit 2 |
| 9 | S1 ^[3] | Select input, bit 1 |
| 10 | CLKB3 ^[2] | Clock output, Bank B |
| 11 | CLKB4 ^[2] | Clock output, Bank B |
| 12 | GND | Power supply ground |
| 13 | V _{DD} | Power supply voltage |
| 14 | CLKA3 ^[2] | Clock output, Bank A |
| 15 | CLKA4 ^[2] | Clock output, Bank A |
| 16 | FBK | PLL feedback input |

Select Input Decoding

| S2 | S1 | CLOCK A1–A4 | CLOCK B1–B4 | Output Source | PLL Shutdown |
|----|----|-----------------------|-----------------------|---------------|--------------|
| 0 | 0 | Tri-state | Tri-state | PLL | Y |
| 0 | 1 | Driven | Tri-state | PLL | N |
| 1 | 0 | Driven ^[4] | Driven ^[4] | Reference | Y |
| 1 | 1 | Driven | Driven | PLL | N |

Notes

1. Weak pull down.
2. Weak pull down on all outputs.
3. Weak pull ups on these inputs.
4. Outputs inverted and PLL bypass mode for 2308-2 and 2308-3, S2 = 1 and S1 = 0.

Available CY2308 Configurations

| Device | Feedback From ^[5] | Bank A Frequency | Bank B Frequency |
|-----------|------------------------------|------------------|--------------------------|
| CY2308-1 | Bank A or Bank B | Reference | Reference |
| CY2308-1H | Bank A or Bank B | Reference | Reference |
| CY2308-2 | Bank A | Reference | Reference / 2 |
| CY2308-2 | Bank B | 2 × Reference | Reference |
| CY2308-3 | Bank A | 2 × Reference | Reference ^[6] |
| CY2308-3 | Bank B | 4 × Reference | 2 × Reference |
| CY2308-4 | Bank A or Bank B | 2 × Reference | 2 × Reference |
| CY2308-5H | Bank A or Bank B | Reference / 2 | Reference / 2 |

Zero Delay and Skew Control

Figure 2. REF. Input to CLKA/CLKB Delay Versus Difference in Loading between FBK Pin and CLKA/CLKB Pins



To close the feedback loop of the CY2308, the user has to connect any one of the eight available output pins to FBK pin. The output driving the FBK pin drives a total load of 7 pF plus any additional load that it drives. The relative loading of this output to the remaining outputs adjusts the input-output delay as shown in the [Figure 2](#).

For applications requiring zero input-output delay, all outputs including the one providing feedback is equally loaded.

If input-output delay adjustments are required, use the [Zero Delay and Skew Control](#) graph to calculate loading differences between the feedback output and remaining outputs.

For zero output-output skew, outputs are loaded equally. For further information on using CY2308, refer to the application note [CY2308: Zero Delay Buffer-AN1234](#).

Notes

- 5. User has to select one of the available outputs that drive the feedback pin and need to connect selected output pin to FBK pin externally.
- 6. Output phase is indeterminate (0° or 180° from input clock). If phase integrity is required, use CY2308-2.

Maximum Ratings

Exceeding maximum ratings may shorten the useful life of the device. User guidelines are not tested.

Supply voltage to ground potential-0.5 V to +7.0 V
 DC input voltage (except REF)-0.5 V to $V_{DD} + 0.5$ V

DC input voltage REF-0.5 V to 7 V
 Storage temperature -65 °C to +150 °C
 Junction temperature 150 °C
 Static discharge voltage
 (MIL-STD-883, Method 3015) >2000 V

Operating Conditions for Commercial Temperature Devices

| Parameter | Description | Min | Max | Unit |
|-----------|--|------|-----|------|
| V_{DD} | Supply voltage | 3.0 | 3.6 | V |
| T_A | Operating temperature (ambient temperature) | 0 | 70 | °C |
| C_L | Load capacitance, below 100 MHz | – | 30 | pF |
| | Load capacitance, from 100 MHz to 133 MHz | – | 15 | pF |
| C_{IN} | Input capacitance ^[7] | – | 7 | pF |
| t_{PU} | Power up time for all V_{DD} 's to reach minimum specified voltage (power ramps must be monotonic) | 0.05 | 50 | ms |

Electrical Characteristics for Commercial Temperature Devices

| Parameter | Description | Test Conditions | Min | Max | Unit |
|--------------------|------------------------------------|---|-----|-----------------|------|
| V_{IL} | Input LOW voltage | | – | 0.8 | V |
| V_{IH} | Input HIGH voltage | | 2.0 | – | V |
| I_{IL} | Input LOW current | $V_{IN} = 0$ V | – | 50.0 | μA |
| I_{IH} | Input HIGH current | $V_{IN} = V_{DD}$ | – | 100.0 | μA |
| V_{OL} | Output LOW voltage ^[8] | $I_{OL} = 8$ mA (-1, -2, -3, -4) $I_{OL} = 12$ mA (-1H, -5H) | – | 0.4 | V |
| V_{OH} | Output HIGH voltage ^[8] | $I_{OH} = -8$ mA (-1, -2, -3, -4) $I_{OH} = -12$ mA (-1H, -5H) | 2.4 | – | V |
| I_{DD} (PD mode) | Power down supply current | REF = 0 MHz | – | 12.0 | μA |
| I_{DD} | Supply current | Unloaded outputs, 100 MHz REF, select inputs at V_{DD} or GND | – | 45.0 | mA |
| | | | – | 70.0 (-1H, -5H) | mA |
| | | Unloaded outputs, 66 MHz REF (-1, -2, -3, -4) | – | 32.0 | mA |
| | | Unloaded outputs, 33 MHz REF (-1, -2, -3, -4) | – | 18.0 | mA |

Notes

7. Applies to both Ref clock and FBK.
8. Parameter is guaranteed by design and characterization. Not 100% tested in production.

Switching Characteristics for Commercial Temperature Devices

| Parameter ^[9] | Name | Test Conditions | Min | Typ | Max | Unit |
|--------------------------|--|--|------|------|-------------------------------------|------|
| F_{in} | Input frequency | – | 10 | – | 133.3 | MHz |
| t_1 | Output frequency | 30 pF load | 10 | – | 100 (-1, -2, -3, -4) 66.67 (-5H) | MHz |
| t_1 | Output frequency | 20 pF load, -1H, -5H devices | 10 | – | 133.3 (-1H) 66.67 (-5H) | MHz |
| t_1 | Output frequency | 15 pF load, -1, -2, -3, -4 devices | 10 | – | 133.3 | MHz |
| t_{PD} | Duty cycle ^[9] = $t_2 \div t_1$ (-1, -2, -3, -4, -1H, -5H) | Measured at 1.4 V, $F_{OUT} = 66.66$ MHz, 30 pF load | 40.0 | 50.0 | 60.0 | % |
| t_{PD} | Duty cycle ^[9] = $t_2 \div t_1$ (-1, -2, -3, -4, -1H, -5H) | Measured at 1.4 V, $F_{OUT} < 50$ MHz, 15 pF load | 45.0 | 50.0 | 55.0 | % |
| t_3 | Rise time ^[9] (-1, -2, -3, -4) | Measured between 0.8 V and 2.0 V, 30 pF load | – | – | 2.20 | ns |
| t_3 | Rise time ^[9] (-1, -2, -3, -4) | Measured between 0.8 V and 2.0 V, 15 pF load | – | – | 1.50 | ns |
| t_3 | Rise time ^[9] (-1H, -5H) | Measured between 0.8 V and 2.0 V, 30 pF load | – | – | 1.50 | ns |
| t_4 | Fall time ^[9] (-1, -2, -3, -4) | Measured between 0.8 V and 2.0 V, 30 pF load | – | – | 2.20 | ns |
| t_4 | Fall time ^[9] (-1, -2, -3, -4) | Measured between 0.8 V and 2.0 V, 15 pF load | – | – | 1.50 | ns |
| t_4 | Fall time ^[9] (-1H, -5H) | Measured between 0.8 V and 2.0 V, 30 pF load | – | – | 1.25 | ns |
| t_5 | Output to output skew on same Bank ^[9] (-1, -2, -3, -4) | All outputs equally loaded | – | – | 200 | ps |
| | Output to output skew (-1H, -5H) | All outputs equally loaded | – | – | 200 | ps |
| | Output Bank A to output Bank B skew (-1, -4, -5H) | All outputs equally loaded | – | – | 200 | ps |
| | Output Bank A to output Bank B skew (-2, -3) | All outputs equally loaded | – | – | 400 | ps |
| t_6 | Delay, REF rising edge to FBK rising edge ^[9] | Measured at $V_{DD}/2$ | – | 0 | ±250 | ps |
| t_7 | Device to device skew ^[9] | Measured at $V_{DD}/2$ on the FBK pins of devices | – | 0 | 700 | ps |
| t_8 | Output slew rate ^[9] | Measured between 0.8 V and 2.0 V on -1H, -5H device using Test Circuit 2 | 1 | – | – | V/ns |
| t_J | Cycle to cycle Jitter ^[9] (-1, -1H, -4, -5H) | Measured at 66.67 MHz, loaded outputs, 15 pF load | – | 75 | 200 | ps |
| | | Measured at 66.67 MHz, loaded outputs, 30 pF load | – | – | 200 | ps |
| | | Measured at 133.3 MHz, loaded outputs, 15 pF load | – | – | 100 | ps |
| t_J | Cycle to cycle Jitter ^[9] (-2, -3) | Measured at 66.67 MHz, loaded outputs, 30 pF load | – | – | 400 | ps |
| | | Measured at 66.67 MHz, loaded outputs, 15 pF load | – | – | 400 | ps |
| t_{LOCK} | PLL lock time ^[9] | Stable power supply, valid clocks presented on REF and FBK pins | – | – | 1.0 | ms |

Note

9. All parameters are specified with loaded outputs.

Operating Conditions for Industrial Temperature Devices

| Parameter | Description | Min | Max | Unit |
|-----------------|---|------|-----|------|
| V _{DD} | Supply voltage | 3.0 | 3.6 | V |
| T _A | Operating temperature (ambient temperature) | -40 | 85 | °C |
| C _L | Load capacitance, below 100 MHz | - | 30 | pF |
| | Load capacitance, from 100 MHz to 133 MHz | - | 15 | pF |
| C _{IN} | Input capacitance ^[10] | - | 7 | pF |
| t _{PU} | Power up time for all V _{DDs} to reach minimum specified voltage (power ramps must be monotonic) | 0.05 | 50 | ms |

Electrical Characteristics for Industrial Temperature Devices

| Parameter | Description | Test Conditions | Min | Max | Unit |
|---------------------------|---|---|-----|---------------|------|
| V _{IL} | Input LOW voltage | | - | 0.8 | V |
| V _{IH} | Input HIGH voltage | | 2.0 | - | V |
| I _{IL} | Input LOW current | V _{IN} = 0 V | - | 50.0 | μA |
| I _{IH} | Input HIGH current | V _{IN} = V _{DD} | - | 100.0 | μA |
| V _{OL} | Output LOW voltage ^[11, 12] | I _{OL} = 8 mA (-1, -2, -3, -4) I _{OL} = 12 mA (-1H, -5H) | - | 0.4 | V |
| V _{OH} | Output HIGH voltage ^[11, 12] | I _{OH} = -8 mA (-1, -2, -3, -4) I _{OH} = -12 mA (-1H, -5H) | 2.4 | - | V |
| I _{DD} (PD mode) | Power down supply current | REF = 0 MHz | - | 25.0 | μA |
| I _{DD} | Supply current | Unloaded outputs, 100 MHz, Select inputs at V _{DD} or GND | - | 45.0 | mA |
| | | | - | 70 (-1H, -5H) | mA |
| | | Unloaded outputs, 66 MHz REF (-1, -2, -3, -4) | - | 35.0 | mA |
| | | Unloaded outputs, 66 MHz REF (-1, -2, -3, -4) | - | 20.0 | mA |

Notes

- 10. Applies to both Ref clock and FBK.
- 11. Parameter is guaranteed by design and characterization. Not 100% tested in production.
- 12. All parameters are specified with loaded outputs.

Switching Characteristics for Industrial Temperature Devices

| Parameter ^[13] | Name | Test Conditions | Min | Typ | Max | Unit |
|---------------------------|---|--|------|------|----------------------------------|------|
| F_{in} | Input frequency | – | 10 | – | 133.3 | MHz |
| t_1 | Output frequency | 30 pF load | 10 | – | 100 (-1,-2,-3,-4) 66.67 (-5H) | MHz |
| t_1 | Output frequency | 20 pF load, -1H, -5H devices | 10 | – | 133.3 (-1H) 66.67 (-5H) | MHz |
| t_1 | Output frequency | 15 pF load, -1, -2, -3, -4 devices | 10 | – | 133.3 | MHz |
| t_{PD} | Duty cycle ^[13, 14] = $t_2 \div t_1$ (-1, -2, -3, -4, -1H, -5H) | Measured at 1.4 V, $F_{OUT} = 66.66$ MHz, 30 pF load | 40.0 | 50.0 | 60.0 | % |
| t_{PD} | Duty cycle ^[13, 14] = $t_2 \div t_1$ (-1, -2, -3, -4, -1H, -5H) | Measured at 1.4 V, $F_{OUT} < 50$ MHz, 15 pF load | 45.0 | 50.0 | 55.0 | % |
| t_3 | Rise time ^[13, 14] (-1, -2, -3, -4) | Measured between 0.8 V and 2.0 V, 30 pF load | – | – | 2.50 | ns |
| t_3 | Rise time ^[13, 14] (-1, -2, -3, -4) | Measured between 0.8 V and 2.0 V, 15 pF load | – | – | 1.50 | ns |
| t_3 | Rise time ^[13, 14] (-1H, -5H) | Measured between 0.8 V and 2.0 V, 30 pF load | – | – | 1.50 | ns |
| t_4 | Fall time ^[13, 14] (-1, -2, -3, -4) | Measured between 0.8 V and 2.0 V, 30 pF load | – | – | 2.50 | ns |
| t_4 | Fall time ^[13, 14] (-1, -2, -3, -4) | Measured between 0.8 V and 2.0 V, 15 pF load | – | – | 1.50 | ns |
| t_4 | Fall time ^[13, 14] (-1H, -5H) | Measured between 0.8 V and 2.0 V, 30 pF load | – | – | 1.25 | ns |
| t_5 | Output to output skew on same Bank ^[13, 14] (-1, -2, -3, -4) | All outputs equally loaded | – | – | 200 | ps |
| | Output to output skew (-1H, -5H) | All outputs equally loaded | – | – | 200 | ps |
| | Output Bank A to output Bank B skew (-1, -4, -5H) | All outputs equally loaded | – | – | 200 | ps |
| | Output Bank A to output Bank B skew (-2, -3) | All outputs equally loaded | – | – | 400 | ps |
| t_6 | Delay, REF rising edge to FBK rising edge ^[13, 14] | Measured at $V_{DD}/2$ | – | 0 | ± 250 | ps |
| t_7 | Device to device skew ^[13, 14] | Measured at $V_{DD}/2$ on the FBK pins of devices | – | 0 | 700 | ps |
| t_8 | Output slew rate ^[13, 14] | Measured between 0.8 V and 2.0 V on -1H, -5H device using Test Circuit 2 | 1 | – | – | V/ns |
| t_J | Cycle to cycle Jitter ^[13, 14] (-1, -1H, -4, -5H) | Measured at 66.67 MHz, loaded outputs, 15 pF load | – | 75 | 200 | ps |
| | | Measured at 66.67 MHz, loaded outputs, 30 pF load | – | – | 200 | ps |
| | | Measured at 133.3 MHz, loaded outputs, 15 pF load | – | – | 100 | ps |
| t_J | Cycle to cycle Jitter ^[13, 14] (-2, -3) | Measured at 66.67 MHz, loaded outputs, 30 pF load | – | – | 400 | ps |
| | | Measured at 66.67 MHz, loaded outputs, 15 pF load | – | – | 400 | ps |
| t_{LOCK} | PLL lock time ^[13, 14] | Stable power supply, valid clocks presented on REF and FBK pins | – | – | 1.0 | ms |

Notes

13. All parameters are specified with loaded outputs.

14. Parameter is guaranteed by design and characterization. Not 100% tested in production.

Switching Waveforms

Figure 3. Duty Cycle Timing

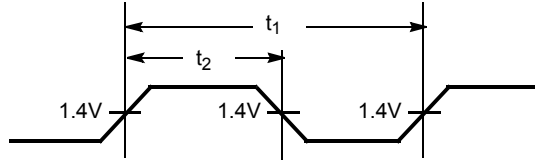


Figure 4. All Outputs Rise/Fall Time

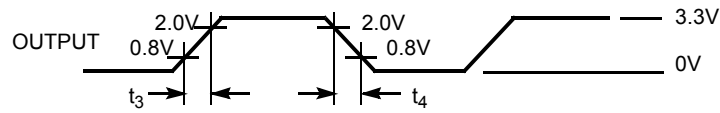


Figure 5. Output-Output Skew

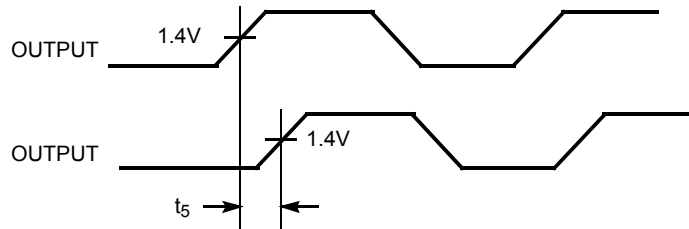


Figure 6. Input-Output Propagation Delay

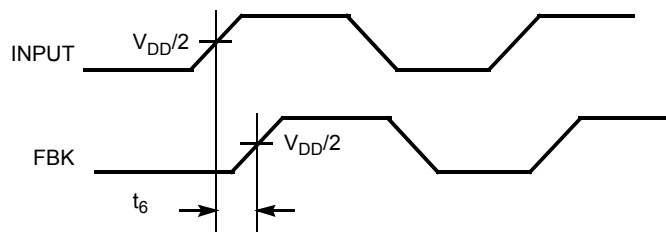
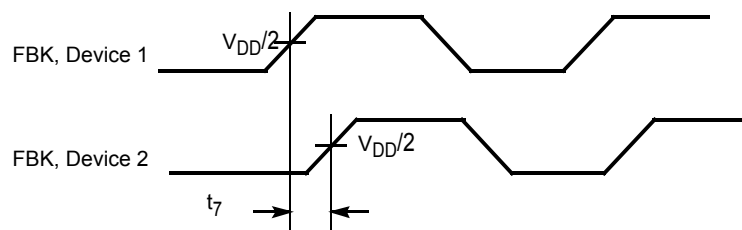


Figure 7. Device-Device Skew



Typical Duty Cycle and I_{DD} Trends

For CY2308-1, 2, 3, 4 [15, 16]

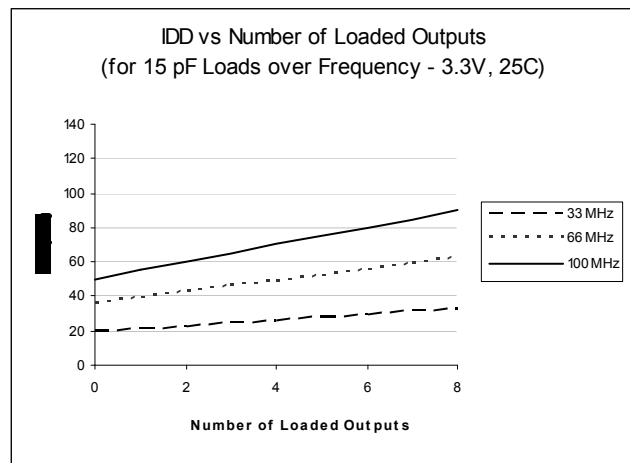
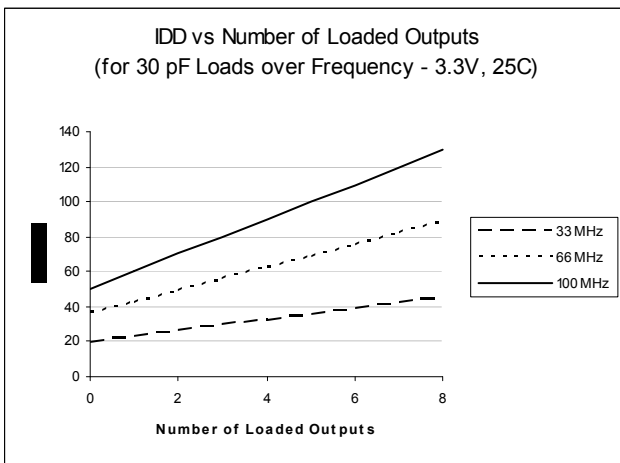
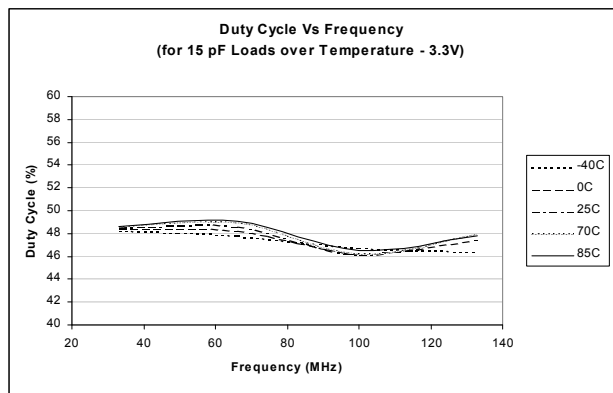
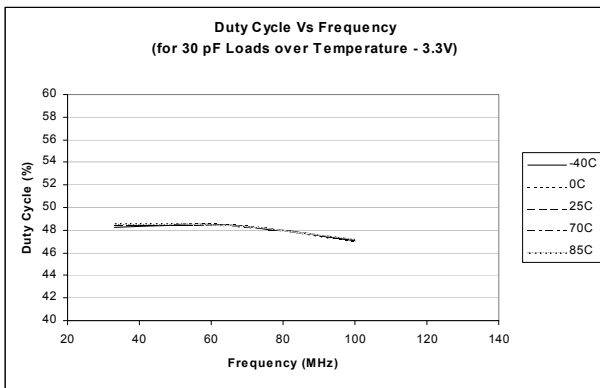
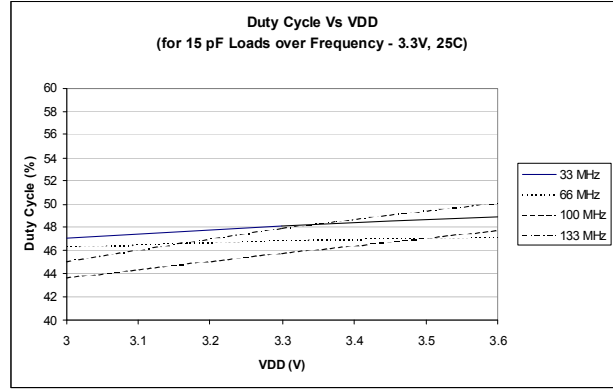
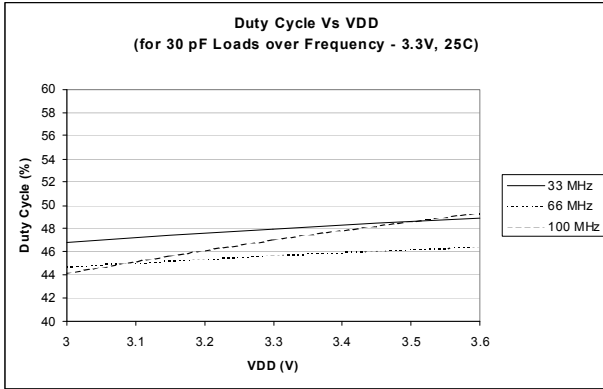


Notes

- 15. Duty cycle is taken from typical chip measured at 1.4 V.
- 16. I_{DD} data is calculated from $I_{DD} = I_{CORE} + nCVf$, where I_{CORE} is the unloaded current.
(n = number of outputs; C = Capacitance load per output (F); V = Voltage supply (V); f = frequency (Hz).

Typical Duty Cycle and I_{DD} Trends

For CY2308-1H, 5H [17, 18]

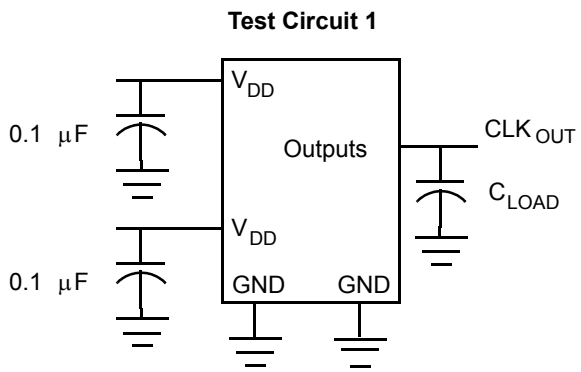


Notes

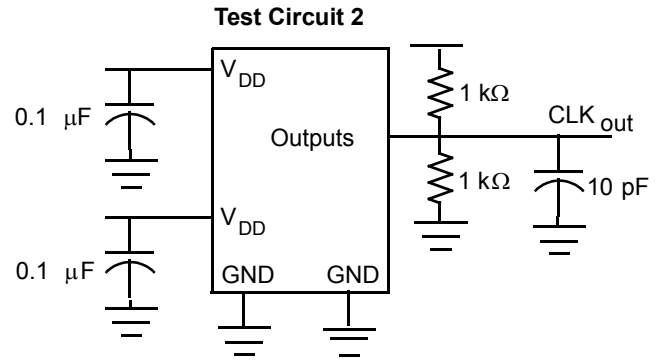
17. Duty cycle is taken from typical chip measured at 1.4 V.

18. I_{DD} data is calculated from $I_{DD} = I_{CORE} + nCVf$, where I_{CORE} is the unloaded current.
(n = number of outputs; C = Capacitance load per output (F); V = Voltage supply (V); f = frequency (Hz)).

Test Circuits



Test Circuit for all parameters except t_g



Test Circuit for t_g , Output slew rate on -1H, -5H device

Ordering Information

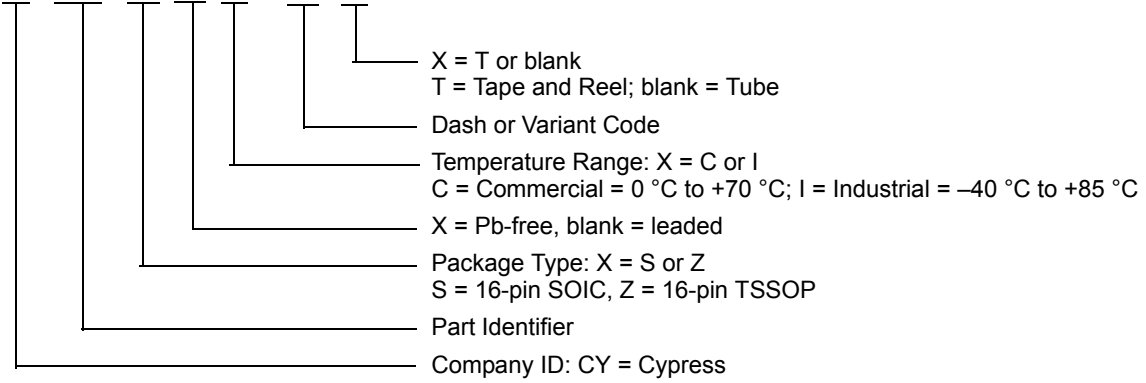
| Ordering Code | Package Type | Operating Range |
|------------------------------|-------------------------------------|-----------------|
| CY2308SI-1T ^[19] | 16-pin 150 mil SOIC - Tape and Reel | Industrial |
| CY2308ZI-1H ^[19] | 16-pin 4.4 mm TSSOP | Industrial |
| CY2308ZI-1HT ^[19] | 16-pin 4.4 mm TSSOP - Tape and Reel | Industrial |
| CY2308SI-2 ^[19] | 16-pin 150 mil SOIC | Industrial |
| CY2308SI-2T ^[19] | 16-pin 150 mil SOIC - Tape and Reel | Industrial |
| Pb-free | | |
| CY2308SXC-1 | 16-pin 150 mil SOIC | Commercial |
| CY2308SXC-1T | 16-pin 150 mil SOIC - Tape and Reel | Commercial |
| CY2308SXI-1 | 16-pin 150 mil SOIC | Industrial |
| CY2308SXI-1T | 16-pin 150 mil SOIC - Tape and Reel | Industrial |
| CY2308SXC-1H | 16-pin 150 mil SOIC | Commercial |
| CY2308SXC-1HT | 16-pin 150 mil SOIC - Tape and Reel | Commercial |
| CY2308SXI-1H | 16-pin 150 mil SOIC | Industrial |
| CY2308SXI-1HT | 16-pin 150 mil SOIC - Tape and Reel | Industrial |
| CY2308ZXC-1H | 16-pin 4.4 mm TSSOP | Commercial |
| CY2308ZXC-1HT | 16-pin 4.4 mm TSSOP - Tape and Reel | Commercial |
| CY2308ZXI-1H | 16-pin 4.4 mm TSSOP | Industrial |
| CY2308ZXI-1HT | 16-pin 4.4 mm TSSOP - Tape and Reel | Industrial |
| CY2308SXC-2 | 16-pin 150 mil SOIC | Commercial |
| CY2308SXC-2T | 16-pin 150 mil SOIC - Tape and Reel | Commercial |
| CY2308SXI-2 | 16-pin 150 mil SOIC | Industrial |
| CY2308SXI-2T | 16-pin 150 mil SOIC - Tape and Reel | Industrial |
| CY2308SXC-3 | 16-pin 150 mil SOIC | Commercial |
| CY2308SXC-3T | 16-pin 150 mil SOIC - Tape and Reel | Commercial |
| CY2308SXI-3 | 16-pin 150 mil SOIC | Industrial |
| CY2308SXI-3T | 16-pin 150 mil SOIC - Tape and Reel | Industrial |
| CY2308SXC-4 | 16-pin 150 mil SOIC | Commercial |
| CY2308SXC-4T | 16-pin 150 mil SOIC - Tape and Reel | Commercial |
| CY2308SXI-4 | 16-pin 150 mil SOIC | Industrial |
| CY2308SXI-4T | 16-pin 150 mil SOIC - Tape and Reel | Industrial |

Note

19. Not recommended for new designs.

Ordering Code Definitions

CY 2308 X X X - X X



Package Diagrams

Figure 8. 16-pin SOIC (150 Mil) S16.15 Package Outline, 51-85068

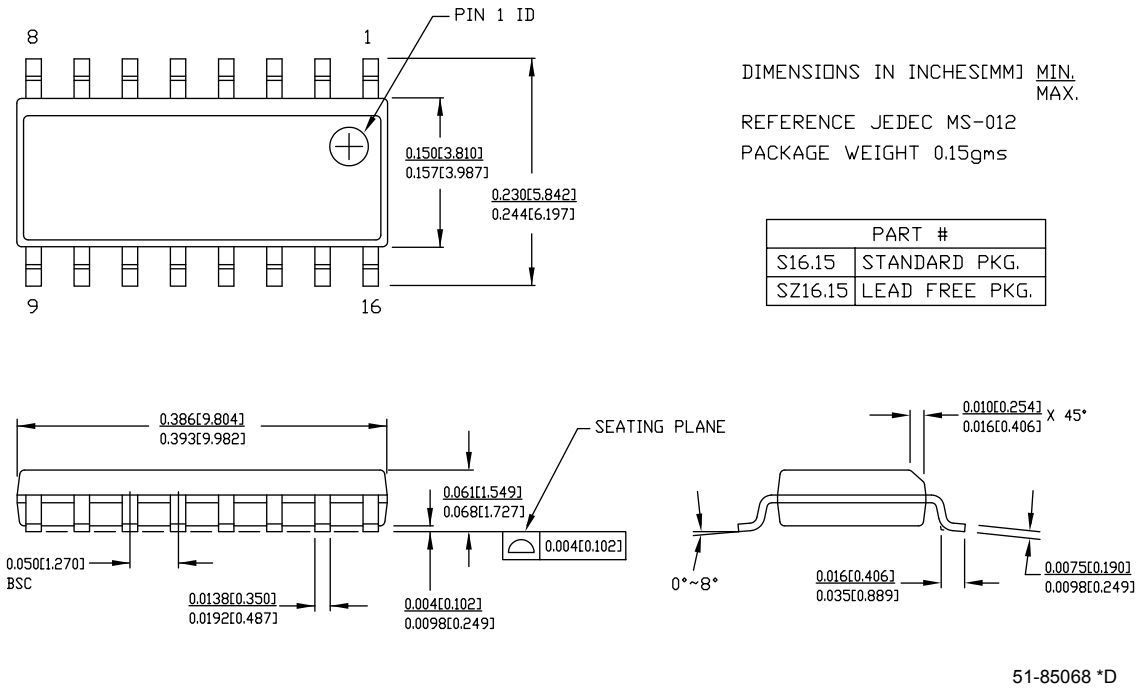


Figure 9. 16-pin TSSOP 4.40 mm Body Z16.173 Package Outline, 51-85091



Acronyms

Table 1. Acronyms Used in this Document

| Acronym | Description |
|---------|-------------------|
| FBK | feedback |
| PLL | phase locked loop |
| MUX | multiplexer |

Document Conventions

Units of Measure

Table 2. Units of Measure

| Symbol | Unit of Measure | Symbol | Unit of Measure |
|--------|-----------------------------|--------|-------------------------------|
| °C | degrees Celsius | μW | microwatt |
| dB | decibels | mA | milliampere |
| fC | femtocoulomb | mm | millimeter |
| fF | femtofarad | ms | millisecond |
| Hz | hertz | mV | millivolt |
| KB | 1024 bytes | nA | nanoampere |
| Kbit | 1024 bits | ns | nanosecond |
| kHz | kilohertz | nV | nanovolt |
| kΩ | kilohm | Ω | ohm |
| MHz | megahertz | pA | picoampere |
| MΩ | megaohm | pF | picofarad |
| μA | microampere | pp | peak-to-peak |
| μF | microfarad | ppm | parts per million |
| μH | microhenry | ps | picosecond |
| μs | microsecond | sps | samples per second |
| μV | microvolt | σ | sigma: one standard deviation |
| μVrms | microvolts root-mean-square | | |

Document History Page

| Document Title: CY2308, 3.3 V Zero Delay Buffer Document Number: 38-07146 | | | | |
|--|---------|-----------------|-----------------|--|
| Rev. | ECN | Orig. of Change | Submission Date | Description of Change |
| ** | 110255 | SZV | 12/17/01 | Changed from Specification number: 38-00528 to 38-07146 |
| *A | 118722 | RGL | 10/31/02 | Added Note 4. |
| *B | 121832 | RBI | 12/14/02 | Power up requirements added to Operating Conditions Information |
| *C | 235854 | RGL | 06/24/04 | Added Pb-free Devices |
| *D | 310594 | RGL | 02/09/05 | Removed obsolete parts in the ordering information table Specified typical value for cycle-to-cycle jitter |
| *E | 1344343 | KVM / VED | 08/20/07 | Brought the Ordering Information Table up to date: removed three obsolete parts and added two parts Changed titles to tables that are specific to commercial and industrial temperature ranges |
| *F | 2568575 | AESA | 09/19/08 | Updated template. Added Note 19 "Not recommended for new designs." Changed IDD (PD mode) from 12.0 to 25.0 μ A for Commercial and Industrial Temperature Devices Deleted Duty Cycle parameters for $F_{out} < 50$ MHz Removed CY2308SI-4, CY2308SI-4T and CY2308SC-5HT. |
| *G | 2632364 | KVM | 01/08/09 | Corrected TSSOP package size (from 150 mil to 4.4 mm) in Ordering Information table |
| *H | 2673353 | KVM / PYRS | 03/13/09 | Reverted I_{DD} (PD mode) and Duty Cycle parameters back to the values in revision *E: Changed I_{DD} (PD mode) from 25 to 12 μ A for commercial temperature devices Added Duty Cycle parameters for $F_{out} < 50$ MHz for commercial and industrial devices. |
| *I | 2897373 | CXQ | 03/22/10 | Updated Ordering Information . Updated Package Diagrams . Updated copyright section. |
| *J | 2971365 | BASH | 07/06/10 | Updated input to output skew and power down current number in Functional Description, page 1 Update pin descriptions in 'Pin Description' column, Table1, page 2 Added 'Input Frequency' parameter and output frequency for -1H and -5H in 'Switching Characteristics Table' and removed footnote, page 4, 5, and 7. Modified Description on page 1 and page 3 to make clear that user has to select one of the outputs to drive feedback. Added footnote in 'Available CY2308 Configurations' Table, page 3, for clarification. |
| *K | 3047133 | CXQ | 10/04/2010 | Sunset Review. No change to data sheet from last revision. |
| *L | 3055192 | CXQ | 10/11/2010 | Updated Ordering Information (Removed part CY2308SXI-5H and CY2308SXI-5HI). |
| *M | 3402187 | BASH | 10/11/2011 | Updated Ordering Information (Removed prune part numbers CY2308SI-1H and CY2308SI-1HT). Updated Package Diagrams . Updated in new template. |

Sales, Solutions, and Legal Information

Worldwide Sales and Design Support

Cypress maintains a worldwide network of offices, solution centers, manufacturer’s representatives, and distributors. To find the office closest to you, visit us at [Cypress Locations](#).

Products

| | |
|--|--|
| Automotive | cypress.com/go/automotive |
| Clocks & Buffers | cypress.com/go/clocks |
| Interface | cypress.com/go/interface |
| Lighting & Power Control | cypress.com/go/powerpsoc cypress.com/go/plc |
| Memory | cypress.com/go/memory |
| Optical & Image Sensing | cypress.com/go/image |
| PSoC | cypress.com/go/psoc |
| Touch Sensing | cypress.com/go/touch |
| USB Controllers | cypress.com/go/USB |
| Wireless/RF | cypress.com/go/wireless |

PSoC Solutions

psoc.cypress.com/solutions
PSoC 1 | PSoC 3 | PSoC 5

© Cypress Semiconductor Corporation, 2001-2011. The information contained herein is subject to change without notice. Cypress Semiconductor Corporation assumes no responsibility for the use of any circuitry other than circuitry embodied in a Cypress product. Nor does it convey or imply any license under patent or other rights. Cypress products are not warranted nor intended to be used for medical, life support, life saving, critical control or safety applications, unless pursuant to an express written agreement with Cypress. Furthermore, Cypress does not authorize its products for use as critical components in life-support systems where a malfunction or failure may reasonably be expected to result in significant injury to the user. The inclusion of Cypress products in life-support systems application implies that the manufacturer assumes all risk of such use and in doing so indemnifies Cypress against all charges.

Any Source Code (software and/or firmware) is owned by Cypress Semiconductor Corporation (Cypress) and is protected by and subject to worldwide patent protection (United States and foreign), United States copyright laws and international treaty provisions. Cypress hereby grants to licensee a personal, non-exclusive, non-transferable license to copy, use, modify, create derivative works of, and compile the Cypress Source Code and derivative works for the sole purpose of creating custom software and or firmware in support of licensee product to be used only in conjunction with a Cypress integrated circuit as specified in the applicable agreement. Any reproduction, modification, translation, compilation, or representation of this Source Code except as specified above is prohibited without the express written permission of Cypress.

Disclaimer: CYPRESS MAKES NO WARRANTY OF ANY KIND, EXPRESS OR IMPLIED, WITH REGARD TO THIS MATERIAL, INCLUDING, BUT NOT LIMITED TO, THE IMPLIED WARRANTIES OF MERCHANTABILITY AND FITNESS FOR A PARTICULAR PURPOSE. Cypress reserves the right to make changes without further notice to the materials described herein. Cypress does not assume any liability arising out of the application or use of any product or circuit described herein. Cypress does not authorize its products for use as critical components in life-support systems where a malfunction or failure may reasonably be expected to result in significant injury to the user. The inclusion of Cypress’ product in a life-support systems application implies that the manufacturer assumes all risk of such use and in doing so indemnifies Cypress against all charges.

Use may be limited by and subject to the applicable Cypress software license agreement.

Компания «Океан Электроники» предлагает заключение долгосрочных отношений при поставках импортных электронных компонентов на взаимовыгодных условиях!

Наши преимущества:

- Поставка оригинальных импортных электронных компонентов напрямую с производств Америки, Европы и Азии, а так же с крупнейших складов мира;
- Широкая линейка поставок активных и пассивных импортных электронных компонентов (более 30 млн. наименований);
- Поставка сложных, дефицитных, либо снятых с производства позиций;
- Оперативные сроки поставки под заказ (от 5 рабочих дней);
- Экспресс доставка в любую точку России;
- Помощь Конструкторского Отдела и консультации квалифицированных инженеров;
- Техническая поддержка проекта, помощь в подборе аналогов, поставка прототипов;
- Поставка электронных компонентов под контролем ВП;
- Система менеджмента качества сертифицирована по Международному стандарту ISO 9001;
- При необходимости вся продукция военного и аэрокосмического назначения проходит испытания и сертификацию в лаборатории (по согласованию с заказчиком);
- Поставка специализированных компонентов военного и аэрокосмического уровня качества (Xilinx, Altera, Analog Devices, Intersil, Interpoint, Microsemi, Actel, Aeroflex, Peregrine, VPT, Syfer, Eurofarad, Texas Instruments, MS Kennedy, Miteq, Cobham, E2V, MA-COM, Hittite, Mini-Circuits, General Dynamics и др.);

Компания «Океан Электроники» является официальным дистрибьютором и эксклюзивным представителем в России одного из крупнейших производителей разъемов военного и аэрокосмического назначения «**JONHON**», а так же официальным дистрибьютором и эксклюзивным представителем в России производителя высокотехнологичных и надежных решений для передачи СВЧ сигналов «**FORSTAR**».



JONHON

«**JONHON**» (основан в 1970 г.)

Разъемы специального, военного и аэрокосмического назначения:

(Применяются в военной, авиационной, аэрокосмической, морской, железнодорожной, горно- и нефтедобывающей отраслях промышленности)

«**FORSTAR**» (основан в 1998 г.)

ВЧ соединители, коаксиальные кабели, кабельные сборки и микроволновые компоненты:

(Применяются в телекоммуникациях гражданского и специального назначения, в средствах связи, РЛС, а так же военной, авиационной и аэрокосмической отраслях промышленности).



Телефон: 8 (812) 309-75-97 (многоканальный)

Факс: 8 (812) 320-03-32

Электронная почта: ocean@oceanchips.ru

Web: <http://oceanchips.ru/>

Адрес: 198099, г. Санкт-Петербург, ул. Калинина, д. 2, корп. 4, лит. А