



CATALOGUE

Circular Connector



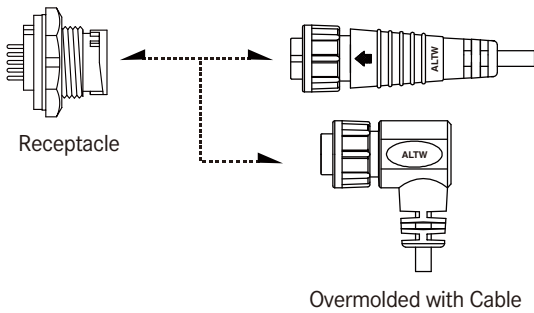


Circular Connector

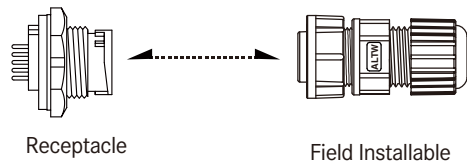


Range Overview

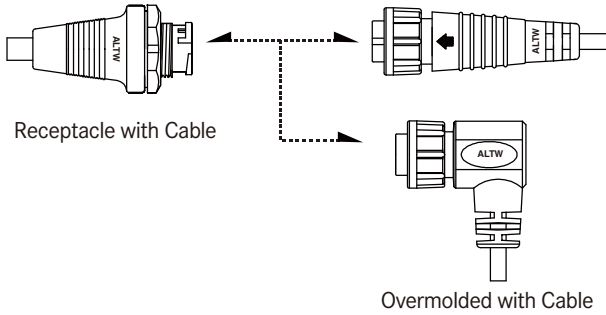
Receptacle To Overmolded with Cable



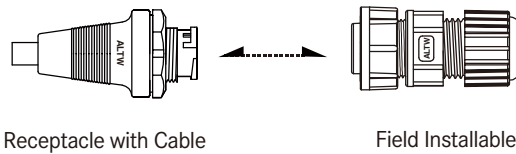
Receptacle To Field Installable



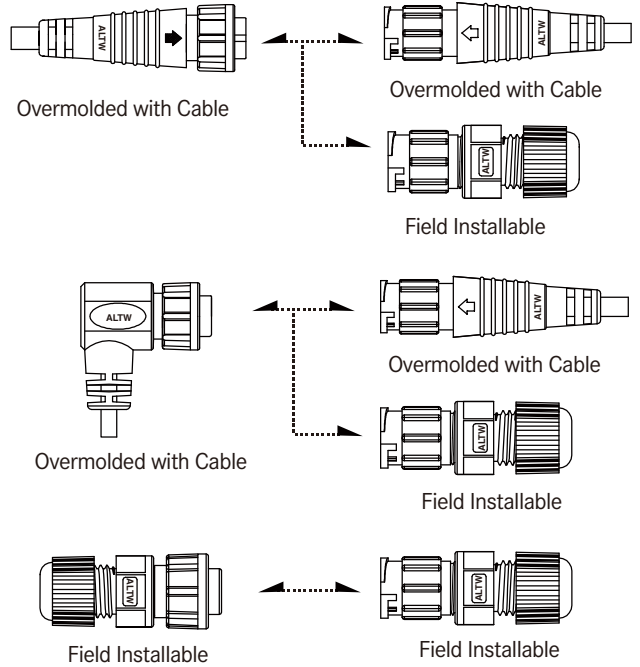
Receptacle with Cable to Overmolded with Cable



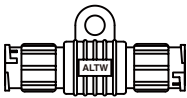
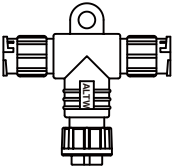
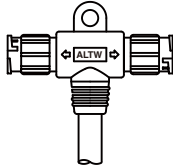

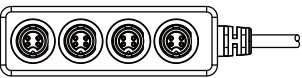
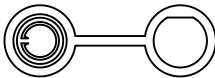

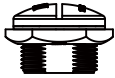
Receptacle with Cable to Field Installable



In Line



Accessories

			
I Adaptor See page 21-7	T Adaptor See page 21-4	T Cable See page 21-1	Tool See page 21-22
			
Extension See page 21-19	Dust Cap See page 21-9	Waterproof Cap See page 21-11	Dummy See page 21-18

[Note] Design and specification are subject to change without notice.

Specification

Identifications	A Size (Mini Size: 7/16"-28 UNS) B Size (Standard Size: 5/8"-27 UNS) C Size (Middle Size: 13/16"-28 UNS) D Size (Large Size: 1"-20 UNEF) E Size (Macro Size: 1 3/16" -20 UNS)
Description	Receptacle Receptacle with cable Overmolded with Cable Field Installable
Current Rating / Data	2A, 5A, 10A, 20A, 5A+2A, 10A+2A, 10A+5A, 20A+2A, 20A+5A
Material	Contacts: Copper Alloy, Gold Plated Connector Body (Housing) : Nylon+GF, UL Recognized
Waterproof Rating	IP66~68
Temperature Range	Receptacle: -40°C~105°C Receptacle with cable: -20°C~80°C Overmolded with Cable: -20°C~80°C Field installable: -40°C~105°C
Contact Resistance	≤ 10mΩ
Insulation Resistance	≥ 100MΩ at DC500V
Durability	1000 cycles
Breakdown Voltage	≥ AC1000V / 1 minute
More to know	Salt Spray Corrosion Test: 48H Standard Cable Length: 01~99M

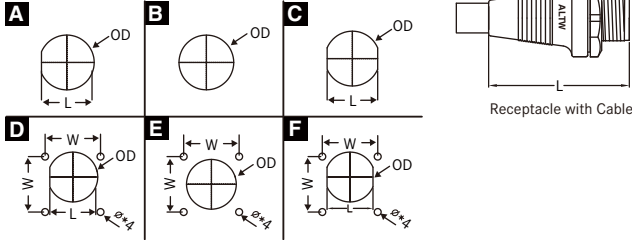
Ordering Information

	1	2	3	4	5	6	7	8	9	10
Specification / Current Rating										
<u>>Mini Size</u>	<u>>Middle Size</u>	<u>>Macro Size</u>								
(AU) 2A	(CU) 2A	(ED) 5A								
(AD) 5A	(CD) 5A									
	(CB) 10A	<u>>Others</u>								
<u>>Mini Size Metal</u>	(CC) 20A	(GBD) 10A+5A (Between Standard Size & Middle Size)								
(ASU) 2A	(CDU) 5A+2A	(MAB) 10A (Equivalent to AMP)								
(ASD) 5A	(CBU) 10A+2A	(PLD) 5A (Size 12)								
	(CBD) 10A+5A									
<u>>Standard Size</u>	(CGU) 16A+2A*									
(BU) 2A	<u>>Large Size</u>									
(BD) 5A	(DU) 2A									
(BB) 10A	(DD) 5A									
(BDU) 5A+2A	(DC) 20A									
(BBD) 10A+5A	(DCU) 20A+2A									
<u>>Standard Size Metal</u>	(DCD) 20A+5A									
(BSU) 2A	(DCB) 20A+10A*									
(BSD) 5A	<u>>Large Size Metal</u>									
(BSB) 10A	(DSD) 5A									
		* Coming soon								
Number of Contacts										
02, 03.....										
EX. (02) = 2 Contacts										
Connector Body (Style)										
<u>> For Receptacle</u>	<u>> For Overmolded with Cable</u>	<u>> For Field installable</u>								
(P) Front Fastened	(A) With Strain Relief	(B) Without Strain Relief								
(R) Rear Fastened	(B) Without Strain Relief									
Connector (Housing) Gender										
(M) Male Connector	(F) Female Connector									
Contact Gender										
(M) Male	(D) Female (Power) + Male (Signal)									
(F) Female	(E) Male (Power) + Female (Signal)									
Assemble Style										
<u>> For Receptacle</u>	<u>> For Overmolded with Cable</u>									
(S) Solder Type	(M) Overmolded with Cable									
(B) Screw in Type	<u>> For Field Installable</u>									
(P) 180° PCB Type	(A) Field installable (Solder)									
(R) 90° PCB Type	(B) Screw in Type									
Mating Style										
(L) 2 Points Lock Bayonet	(T) 3 Points Lock Bayonet									
(S) Screw Thread	(Q) Push Lock									
Backshell										
<u>> For Receptacle</u>	<u>> For Overmolded with Cable</u>	<u>> For Field Installable</u>								
(C) Circular	(L) Straight	(L) Straight								
(S) Square	(R) Right Angle									
Waterproof Rating										
(6) IP 66										
(7) IP 67										
(8) IP 68										
More Information										
(C00) Similar Standard with TC-ER Cable	<u>> For Overmolded with Cable</u>									
	(□)+(■) : Cable Type + Cable Length									
	EX. (A01) = UL2464 Cable + 1M									
<u>> For Receptacle</u>	(□) : Cable Type	(■) : Cable Length								
(001), (002).....	(A) UL2464 Cable	From 1M to 99M								
Without Cable : Different Versions	(B) UL2586 Cable	EX. (01) = 1M								
	(C) Power Cable(TC-ER)									

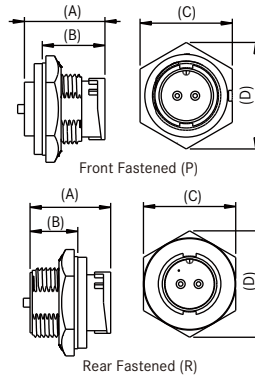
【Note】 Design and specification are subject to change without notice.

Physical Dimension

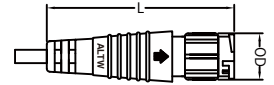
Receptacle Panel Cut-Out



Connector Dimension



Overmolded with Cable



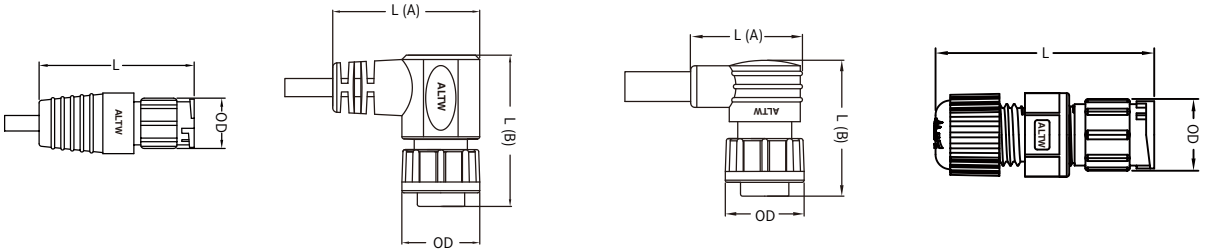
with Strain Relief / Straight

Current Rating		Dimension		Type	L / W	OD	φ	L (Connector Body)
Size	Metal	Connector Gender	Male					
Mini Size	-	2A(AU)	A	10.4	10.9	-	-	40.5
	-	2A(ASU)	D	10.4 / 12.7	10.9	3.05	-	-
	Metal	2A(ASU)	D	10.4 / 12.7	10.9	3.05	-	-
	-	5A(AD)	A	10.4	10.9	-	-	40.5
-	Metal	5A(ASD)	D	10.4 / 12.7	10.9	3.05	-	-
Standard Size	-	2A(BU)	A	14.8	15.6	-	-	42.6
	Metal	2A(BSU)	B	-	15.6	-	-	-
			C	14.0	16.0	-	-	
	-	5A(BD)	A	14.8	15.6	-	-	42.6
	Metal	5A(BSD)	B	-	15.6	-	-	-
			E	16.0	15.6	3.1	-	
	-	5A+2A(BDU)	A	14.8	15.6	-	-	42.6
	-	10A(BB)	A	14.8	15.6	-	-	42.6
	Metal	10A(BSB)	C	14.1	15.6	-	-	-
			A	14.8	15.6	-	-	42.6
-	10A+5A(BBD)	A	14.8	15.6	-	-	42.6	
Middle Size	-	2A(CU)	A	19.4	20.8	-	-	-
	-	5A(CD)	A	19.4	20.8	-	-	47.0
	-	5A+2A(CDU)	A	19.4	20.8	-	-	-
	-	10A(CB)	A	19.4	20.8	-	-	47.0
	-	10A+2A(CBU)	A	19.4	20.8	-	-	-
	-	10A+5A(CBD)	A	19.4	20.8	-	-	59.5
	-	20A(CC)	A	19.4	20.8	-	-	47.0
Large Size	-	2A(DU)	A	23.6	25.6	-	-	-
	-	5A(DD)	A	23.6	25.6	-	-	-
	Metal	5A(DD)	D	23.6 / 24.4	25.6	3.1	-	-
			E	24.8 / 24.5	24.8	3.1	-	
			F	23.2 / 24.5	25.6	3.1	-	
	-	20A(DC)	A	23.6	25.6	-	-	-
	-	20A(DC)	D	23.6 / 24.4	25.6	3.1	-	-
	-	20A+2A(DCU)	A	23.6	25.6	-	-	-
-	20A+5A(DCD)	A	23.6	25.6	-	-	-	
Macro Size	-	5A(ED)	D	29.0 / 30.1	30.1	3.5	-	-
Others	-	10+5A(GBD)	-	-	-	-	-	-
	-	10A(MAB)	-	-	-	-	-	-
	-	5A(PLD)	C	11.3	12.8	-	-	-

A	B	C	D	Panel Thickness Max	
				Lock Type	Screw Type
P: 18.4 R: 18.0	P: 14.0 R: 10.8	15.7	18.1	P: 3.5 R: 5.0	P: 5.0 R: 5.0
18.6	14.0	15.7	18.1	P: 3.5	-
P: 18.4 R: 18.0	P: 14.0 R: 10.8	15.7	18.1	P: 3.5 R: 5.0	P: 5.0 R: 5.0
18.6	14.0	15.7	18.1	P: 3.5	-
P: 18.0 R: 18.0	P: 14.0 R: 10.65	20.6	23.5	P: 4.5 R: 5.0	P: 4.0 R: 5.0
P: 18.8 R: 19.8	P: 16.3 R: 11.3	22.0	25.4	-	P: 5.0 R: 7.0
P: 18.0 R: 18.0	P: 14.0 R: 10.65	20.6	25.4	P: 4.5 R: 5.0	P: 4.0 R: 5.0
P: 18.0 R: 19.8	P: 14.0 R: 11.3	P: 21.0 R: 22.0	P: 23.9 R: 25.4	-	P: 4.4 R: 7.0
P: 18.0 R: 18.0	P: 14.0 R: 10.65	20.6	23.5	P: 4.5 R: 5.0	P: 4.0 R: 5.0
P: 18.0 R: 18.0	P: 14 R: 10.65	20.6	23.5	P: 4.5 R: 5.0	P: 4.0 R: 5.0
19.8	11.3	22.0	25.4	-	R: 7.0
P: 18.0 R: 18.0	P: 14.0 R: 10.65	20.6	23.8	P: 4.5 R: 5.0	P: 4.0 R: 5.0
17.0	14.0	25.4	29.3	P: 4.0	P: 3.0
P: 17.0 R: 18.0	P: 14.0 R: 10.0	25.4	29.3	P: 4.0 R: 4.0	P: 3.0 R: 4.0
18.0	14.0	25.4	29.3	P: 4.0	P: 3.0
P: 17.0 R: 18.0	P: 14.0 R: 10.0	25.4	29.3	P: 4.0 R: 4.0	P: 3.0 R: 4.0
18.0	15.0	25.4	29.3	P: 4.0	-
19.5	F: 15 R: 11.5	25.4	29.3	P: 4.0	P: 3.0
P: 17.0 R: 18.0	P: 14.0 R: 10.0	25.4	29.3	P: 4.0 R: 4.0	P: 3.0 R: 4.0
18.0	14.8	28.5	33.0	P: 4.0	-
P: 18.0 R: 18.0	P: 14.9 R: 10.3	28.5	33.0	P: 4.0 R: 4.0	P: 4.0 R: 4.0
17.9	14.6	29.0	33.5	-	P: 3.5
18.0	14.6	29.0	33.4	-	P: 3.5
P: 18.0 R: 18.0	P: 14.9 R: 10.3	28.5	33.0	P: 4.0 R: 4.0	P: 4.0 R: 4.0
18.8	14.8	28.5	33.0	P: 4.0	-
19	P: 14.9 / R: 10.8	28.5	33.0	P: 4.0 / R: 3.5	P: 4.0 / R: 3.5
17.6	14.9	34.9	4.0	P: 3.5	-
-	-	-	-	-	-
-	-	-	-	-	-
15.9	13.4	15.8	17.3	P: 3.0	-

L		OD	
Female	Male	Female	Male
43.5	44.5	15.2	13.5
-	-	-	-
43.5	44.5	15.2	13.5
-	-	-	-
55.5	59.0	S: 20.0 L: 18.0	14.6
-	-	-	-
55.5	59.0	S: 20.0 L: 18.0	14.6
-	-	-	-
55.5	59.0	S: 20.0 L: 18.0	14.6
-	-	-	-
43.0	59.0	S: 20.0 L: 18.0	14.6
60.0	-	L: 22.2 S: 25.4	-
60.0	60.0	L: 22.2 S: 25.4	20.0
60.5	-	L: 22.2 S: 25.4	-
60.0	-	L: 22.2 S: 25.4	-
60.3	-	23.0	-
60.0	-	L: 22.2 S: 25.4	-
60.0	-	L: 22.2 S: 25.4	-
59.5	-	S: 32.0 L: 28.5	-
59.5	59.5	S: 32.0 L: 28.5	22.5
-	-	-	-
-	-	-	-
59.5	-	S: 32.0 L: 28.5	-
63.5	69.7	28.5	22.5
59.5	59.5	S: 32.0 L: 28.5	S: 32.0 L: 28.5
70.0	-	33.3	-
68.7	73.5	26.6	25.0
61.5	61.5	23.0	19.4
-	-	-	-

Field installable



without Strain Relief / Straight

with Strain Relief / Right Angle

without Strain Relief / Right Angle

without Strain Relief / Straight

L		OD	
Female	Male	Female	Male
34.0	35.3	15.2	13.5
-	-	-	-
34.0	35.3	15.2	13.5
-	-	-	-
43.0	45.0	S-20.0 L-18.0	14.6
37.8	-	19.0	-
43.0	45.0	S-20.0 L-18.0	14.6
37.8	-	19.0	-
43.0	-	S-20.0 L-18.0	-
43.0	45.0	S-20.0 L-18.0	14.6
-	-	-	-
43.0	45.0	S-20.0 L-18.0	14.6
41.8	-	L-22.2 S-25.4	-
41.8	41.8	L-22.2 S-25.4	20.0
41.8	-	L-22.2 S-25.4	-
41.8	-	L-22.2 S-25.4	-
-	-	-	-
41.8	-	L-22.2 S-25.4	-
41.8	-	L-22.2 S-25.4	-
52.0	-	S-32.0 L-28.5	-
52.0	52.0	S-32.0 L-28.5	22.5
49.3	-	30.0	-
49.3	-	30.0	-
52.0	-	S32.0 L-28.5	-
-	-	-	-
-	-	-	-
60.2	65.0	26.6	25.0
53.0	53.0	23.0	19.4
-	-	-	-

L [A]		L [B]		OD	
Female	Male	Female	Male	Female	Male
-	-	-	-	-	-
-	-	-	-	-	-
-	-	-	-	-	-
-	-	-	-	-	-
34.0	-	35.0	-	S-20.0 L-18.0	-
-	-	-	-	-	-
34.0	-	35.0	-	S-20.0 L-18.0	-
-	-	-	-	-	-
34.0	-	35.0	-	S-20.0 L-18.0	-
34.0	-	35.0	-	S-20.0 L-18.0	-
-	-	-	-	-	-
34.0	-	35.0	-	S-20.0 L-18.0	-
-	-	-	-	-	-
42.5	-	39.5	-	22.2	-
-	-	-	-	-	-
-	-	-	-	-	-
-	-	-	-	-	-
-	-	-	-	-	-
-	-	-	-	-	-
-	-	-	-	-	-
-	-	-	-	-	-
-	-	-	-	-	-
44.1	-	49.8	-	S-32.0 L-28.5	-
40.0	-	40.0	-	30.0	-
40.0	-	40.0	-	30.0	-
-	-	-	-	-	-
-	-	-	-	-	-
44.1	-	49.8	-	28.5	-
-	-	-	-	-	-
-	-	-	-	-	-
-	-	-	-	-	-
-	-	-	-	-	-
-	-	-	-	-	-

L [A]		L [B]		OD	
Female	Male	Female	Male	Female	Male
24.0	-	29.4	-	15.2	-
-	-	-	-	-	-
24.0	-	29.4	-	15.2	-
-	-	-	-	-	-
-	-	-	-	-	-
30.0	-	33.6	-	19.0	-
25.5	-	31.0	-	S-20.0 L-18.0	-
30.0	-	33.6	-	19.0	-
-	-	-	-	-	-
25.5	-	31.0	-	S-20.0 L-18.0	-
-	-	-	-	-	-
25.5	-	31.0	-	S-20.0 L-18.0	-
-	-	-	-	-	-
-	-	-	-	-	-
-	-	-	-	-	-
-	-	-	-	-	-
-	-	-	-	-	-
-	-	-	-	-	-
-	-	-	-	-	-
-	-	-	-	-	-
40.0	-	40.0	-	30.0	-
40.0	-	40.0	-	30.0	-
-	-	-	-	-	-
-	-	-	-	-	-
-	-	-	-	-	-
-	-	-	-	-	-
-	-	-	-	-	-
-	-	-	-	-	-

L		OD	
Female	Male	Female	Male
41.5	41.5	15.2	13.5
-	-	-	-
41.5	41.5	15.2	13.5
-	-	-	-
44.0	43.0	S-20.0 L-18.0	14.6
-	-	-	-
43.0	43.0	S-20.0 L-18.0	14.6
-	-	-	-
43.0	-	S-20.0 L-18.0	-
43.0	43.0	S-20.0 L-18.0	14.6
-	-	-	-
43.0	43.0	S-20.0 L-18.0	14.6
48.2	-	L-22.2 S-25.4	-
48.2	48.65	L-22.2 S-25.4	20.0
-	-	-	-
48.2	-	L-22.2 S-25.4	-
49.7	-	23.0	-
-	-	-	-
48.2	-	L-22.2 S-25.4	-
-	-	-	-
54.9	54.9	S-32.0 L-28.5	23.0
-	-	-	-
-	-	-	-
54.9	54.9	S-32.0 L-28.5	23.0
62.8	59.3	L-28.5	23.0
59.9	59.9	L-28.5	23.0
-	-	-	-
-	-	-	-
39.2	35.3	15.0	15.0

Unit: mm





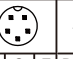













[Note] Design and specification are subject to change without notice.

Contact Configuration

	Mini Size (A)						Standard Size (B)							
	2A(AU)(ASU)		5A(AD)		5A(ASD)		2A(BU)(BSU)		5A(BD)		5A(BSD)		10A(BB)	
4 5	MM or FF	MF or FM	MM or FF	MF or FM	MM or FF	MF or FM	MM or FF	MF or FM	MM or FF	MF or FM	MM or FF	MF or FM	MM or FM	MF or FM
2 Pin														
			R C F		R				R C F	R C F			R C F	R C F
3 Pin														
			R C F						R C F	R C F			R C F	R C F
4 Pin														
	R C F								R C F	R C F	R C F		R C F	
5 Pin														
	R C F								R C F	R C F	R C F			
6 Pin														
	R C F								R C F	R C F	R C F			
7 Pin														
									R C F		R C F			
8 Pin														
									R C F		R C F			
9 Pin														
10 Pin														
							R C F							
12 Pin														
							R C F							
14 Pin														
18 Pin														
20 Pin														
21 Pin														
22 Pin														
31 Pin														

* Standard Size Metal (BSU): 10 Contact

Contact Configuration

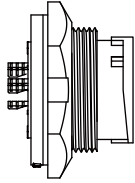
	Middle Size (C)						Middle Size (C)				Large Size (D)			
	10A(CB)		20A(CC)		5A+2A(CDU)		10A+5A(CBD)		10A+2A(CBU)		2A(DU)		5A(DD)(DSD)	
4 5	MM or FF	MF or FM	MM or FF	MF or FM	MM or FF	MF or FM	MM or FF	MF or FM	MM or FF	MF or FM	MM or FF	MF or FM	MM or FF	MF or FM
2 Pin														
				R C F										
3 Pin														
			R C F											
4 Pin														
	R C F	R C F												
5 Pin														
	R C F	R C F												
6 Pin														
	R C F													
7 Pin														
8 Pin														
							R C	R C	R C F	R C F				
9 Pin														
10 Pin														
12 Pin														
						R C F								
14 Pin														
						R C F								
18 Pin														
												R C F	R C F	
20 Pin														
											R C F			
21 Pin														
											R C F			
22 Pin														
											R C F			
31 Pin														

Large Size (D)						Marco Size (E)		Other Size					
20A(DC)		20A+2A(DCU)		20A+5A(DCD)		5A(ED)		10A+5A(GBD)		10A(MAB)		5A(PLD)	
MM or FF	MF or FM	MM or FF	MF or FM	MM or FF	MF or FM	MM or FF	MF or FM	MM or FF	MF or FM	MM or FF	MF or FM	MM or FF	MF or FM
R C F													R F
R C F													R F
R C F										R C F			R F
R C F													
R C F									C				
		R C F	R C F										
				R C F	R C F								
									R C				

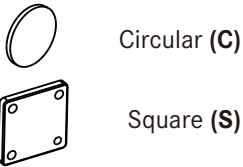
[Note] Design and specification are subject to change without notice.

Product Features

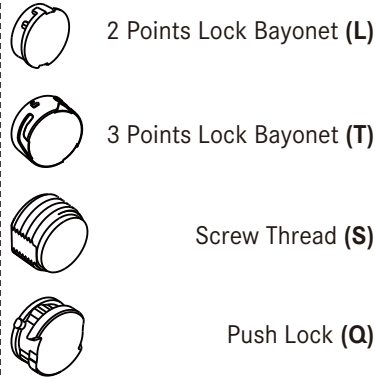
Receptacle



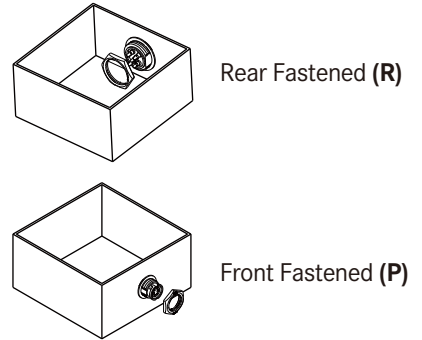
Flange 8



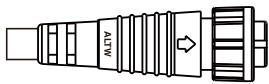
Mating Style 7



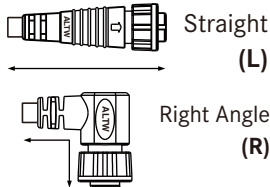
Connector Body(Style) 3



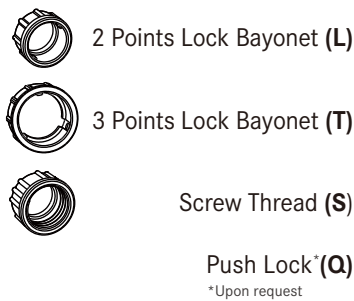
Overmolded with Cable



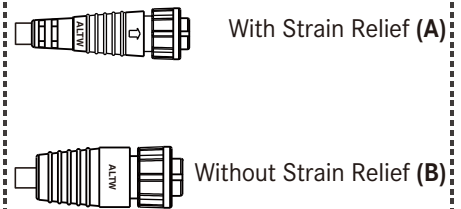
Backshell 8



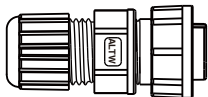
Mating Style 7



Connector Body(Style) 3



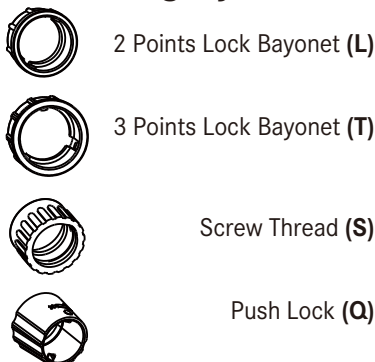
Field Installable



Backshell 8



Mating Style 7

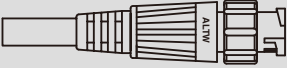
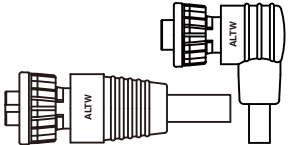
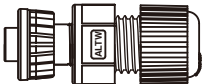


Connector Body(Style) 3



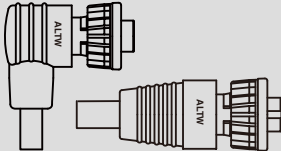
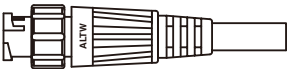
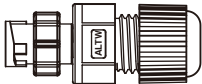
Find Our Standard Products

Mini Size: 7/16"-28 UNS > In-line

<ul style="list-style-type: none"> • Male Connector (Housing) • Male Contacts • 2 Points Lock Bayonet 		<p>Overmolded with Cable</p> 	<p>Overmolded with Cable</p> 	<p>Field Installable</p> 
Current Rating (Code)	Contacts 2	Male Connector (M) Male Contacts (M)	Female Connector (F) Female Contacts (F)	Female Connector (F) Female Contacts (F)
2A (AU)	04,05,06	AU- 2 AMMM-LL6A ^{XX} * AU- 2 BMMM-LL7A ^{XX} *	AU- 2 AFFM-LL6A ^{XX} * AU- 2 BFFM-LL7A ^{XX} * AU- 2 BFFM-LR6A ^{XX} *	AU- 2 BFFA-LL7001
5A (AD)	02,03	AD- 2 AMMM-LL6A ^{XX} * AD- 2 BMMM-LL7A ^{XX} *	AD- 2 AFFM-LL6A ^{XX} * AD- 2 BFFM-LL7A ^{XX} * AD- 2 BFFM-LR6A ^{XX} *	AD- 2 BFFA-LL7001

* XX: Choose the cable length from 01~99m

Mini Size: 7/16"-28 UNS > In-line

<ul style="list-style-type: none"> • Female Connector (Housing) • Female Contacts • 2 Points Lock Bayonet 		<p>Overmolded with Cable</p> 	<p>Overmolded with Cable</p> 	<p>Field Installable</p> 
Current Rating (Code)	Contacts 2	Female Connector (F) Female Contacts (F)	Male Connector (M) Male Contacts (M)	Male Connector (M) Male Contacts (M)
2A (AU)	04,05,06	AU- 2 AFFM-LL6A ^{XX} * AU- 2 BFFM-LL7A ^{XX} * AU- 2 BFFM-LR6A ^{XX} *	AU- 2 AMMM-LL6A ^{XX} * AU- 2 BMMM-LL7A ^{XX} *	AU- 2 BMMA-LL7001
5A (AD)	02,03	AD- 2 AFFM-LL6A ^{XX} * AD- 2 BFFM-LL7A ^{XX} * AD- 2 BFFM-LR6A ^{XX} *	AD- 2 AMMM-LL6A ^{XX} * AD- 2 BMMM-LL7A ^{XX} *	AD- 2 BMMA-LL7001

* XX: Choose the cable length from 01~99m

[Note] Design and specification are subject to change without notice.

Mini Size: 7/16"-28 UNS > Receptacle and Mating Pair

<ul style="list-style-type: none"> • Male Connector (Housing) • Male Contacts • Screw Thread & 2 Points Lock Bayonet 		<p>Receptacle</p> <p>7 2 Points Lock Bayonet (L) 7 Screw Thread (S) 6 Choose the PCB Type (P/R) or Solder Type (S) 8 Choose the backshell circular (C) or square flange (S). 10 Choose Plastic (001) or Metal Nut (002)</p>	<p>Overmolded with Cable</p> <p>7 Choose 2 Points Lock Bayonet (L) or Screw Thread (S)</p>	<p>Field Installable</p> <p>7 Choose 2 Points Lock Bayonet (L) or Screw Thread (S)</p>
Current Rating (Code)	Contacts 2	Male Connector (M) Male Contacts (M)	Female Connector (F) Female Contacts (F)	Female Connector (F) Female Contacts (F)
2A (AU)	04,05,06	AU-2 PMM 6-7 8 7001 AU-2 RMMS - 7 C7001	AU-2 AFFM-7 L6AXX* AU-2 BFFM-7 L7AXX* AU-2 BFFM-7 R6AXX*	AU-2 BFFA-7 L7001
2A (ASU) *Metal	04,05,06	ASU-2 PMMS- LS70010	AU-2 AFFM-LL6AXX* AU-2 BFFM-LL7AXX* AU-2 BFFM-LR6AXX*	AU-2 BFFA-LL7001
5A (AD)	02,03	AD-2 PMM 6-7 8 7001 AD-2 RMMS - 7 C70010	AD-2 AFFM-7 L6AXX* AD-2 BFFM-7 L7AXX* AD-2 BFFM-7 R6AXX*	AD-2 BFFA-7 L7001
5A (ASD) *Metal	02,03	ASD-2 PMM 6-LS70010	AD-2 AFFM-LL6AXX* AD-2 BFFM-LL7AXX* AD-2 BFFM-LR6AXX*	AD-2 BFFA-LL7001

* XX: Choose the cable length from 01~99m

Mini Size: 7/16"-28 UNS > Receptacle with Overmolded Cable and Mating Pair

<ul style="list-style-type: none"> • Male Connector (Housing) • Male Contacts • Screw Thread & 2 Points Lock Bayonet 		<p>Receptacle</p> <p>7 2 Points Lock Bayonet (L) 7 Screw Thread (S)</p>	<p>Overmolded with Cable</p> <p>7 Choose 2 Points Lock Bayonet (L) or Screw Thread (S)</p>	<p>Field Installable</p> <p>7 Choose 2 Points Lock Bayonet (L) or Screw Thread (S)</p>
Current Rating (Code)	Contacts 2	Male Connector (M) Male Contacts (M)	Female Connector (F) Female Contacts (F)	Female Connector (F) Female Contacts (F)
2A (AU)	04,05,06	AU-2 PMMM-7 L7AXX*	AU-2 AFFM-7 L6AXX* AU-2 BFFM-7 L7AXX* AU-2 BFFM-7 R6AXX*	AU-2 BFFA-7 L7001
5A (AD)	02,03	AD-2 PMMM-7 L7AXX*	AD-2 AFFM-7 L6AXX* AD-2 BFFM-7 L7AXX* AD-2 BFFM-7 R6AXX*	AD-2 BFFA-7 L7001

* XX: Choose the cable length from 01~99m

Standard Size: 5/8"-27 UNS > In-line

<ul style="list-style-type: none"> • Male Connector (Housing) • Male Contacts • 2 Points Lock Bayonet 		Overmolded with Cable	Overmolded with Cable	Field Installable
Current Rating (Code)	Contacts 2	Male Connector (M) Male Contacts (M)	Female Connector (F) Female Contacts (F)	Female Connector (F) Female Contacts (F)
2A (BU)	10, 12	BU- 2 AMMM-LL6A ^{XX} * BU- 2 BMMM-LL7A ^{XX} *	BU- 2 AFFM-LL6A ^{XX} * BU- 2 AFFM-LR7A ^{XX} * BU- 2 BFFM-LL7A ^{XX} * BU- 2 BFFM-LR6A ^{XX} *	BU- 2 BFFA-LL7001
5A (BD)	02,03,04, 05,06,07,08	BD- 2 AMMM-LL6A ^{XX} * BD- 2 BMMM-LL7A ^{XX} *	BD- 2 AFFM-LL6A ^{XX} * BD- 2 AFFM-LR7A ^{XX} * BD- 2 BFFM-LL7A ^{XX} * BD- 2 BFFM-LR6A ^{XX} *	BD- 2 BFFA-LL7001
10A (BB)	02,03,04	BB- 2 AMMM-LL6A ^{XX} * BB- 2 BMMM-LL7A ^{XX} *	BB- 2 AFFM-LL6A ^{XX} * BB- 2 AFFM-LR7A ^{XX} * BB- 2 BFFM-LL7A ^{XX} * BB- 2 BFFM-LR6A ^{XX} *	BB- 2 BFFA-LL7001

* XX: Choose the cable length from 01~99m

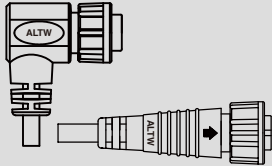
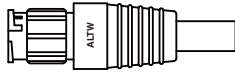
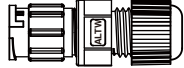
Standard Size: 5/8"-27 UNS > In-line

<ul style="list-style-type: none"> • Male Connector (Housing) • Male Contacts • 2 Points Lock Bayonet 		Field Installable	Overmolded with Cable	Field Installable
Current Rating (Code)	Contacts 2	Male Connector (M) Male Contacts (M)	Female Connector (F) Female Contacts (F)	Female Connector (F) Female Contacts (F)
2A (BU)	10, 12	BU- 2 BMMA-LL7001	BU- 2 AFFM-LL6A ^{XX} * BU- 2 AFFM-LR7A ^{XX} * BU- 2 BFFM-LL7A ^{XX} * BU- 2 BFFM-LR6A ^{XX} *	BU- 2 BFFA-LL7001
5A (BD)	02,03,04, 05,06,07,08	BD- 2 BMMA-LL7001	BD- 2 AFFM-LL6A ^{XX} * BD- 2 AFFM-LR7A ^{XX} * BD- 2 BFFM-LL7A ^{XX} * BD- 2 BFFM-LR6A ^{XX} *	BD- 2 BFFA-LL7001
10A (BB)	02,03,04	BB- 2 BMMA-LL7001	BB- 2 AFFM-LL6A ^{XX} * BB- 2 AFFM-LR7A ^{XX} * BB- 2 BFFM-LL7A ^{XX} * BB- 2 BFFM-LR6A ^{XX} *	BB- 2 BFFA-LL7001

[Note] Design and specification are subject to change without notice.

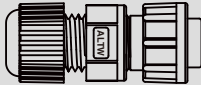
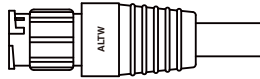
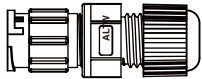
* XX: Choose the cable length from 01~99m

Standard Size: 5/8"-27 UNS > In-line

<ul style="list-style-type: none"> Female Connector (Housing) Female Contacts 2 Points Lock Bayonet 		<p>Overmolded with Cable →</p> 	<p>Overmolded with Cable →</p> 	<p>Field Installable</p> 
Current Rating (Code)	Contacts 2	Female Connector (F) Female Contacts (F)	Male Connector (M) Male Contacts (M)	Male Connector (M) Male Contacts (M)
2A (BU)	10, 12	BU- 2 AFFM-LL6A ^{XX} * BU- 2 AFFM-LR7A ^{XX} * BU- 2 BFFM-LL7A ^{XX} * BU- 2 BFFM-LR6A ^{XX} *	BU- 2 AMMM-LL6A ^{XX} * BU- 2 BMMM-LL7A ^{XX} *	BU- 2 BMMA-LL7001
5A (BD)	02,03,04, 05,06,07,08	BD- 2 AFFM-LL6A ^{XX} * BD- 2 AFFM-LR7A ^{XX} * BD- 2 BFFM-LL7A ^{XX} * BD- 2 BFFM-LR6A ^{XX} *	BD- 2 AMMM-LL6A ^{XX} * BD- 2 BMMM-LL7A ^{XX} *	BD- 2 BMMA-LL7001
10A (BB)	02,03,04	BB- 2 AFFM-LL6A ^{XX} * BB- 2 AFFM-LR7A ^{XX} * BB- 2 BFFM-LL7A ^{XX} * BB- 2 BFFM-LR6A ^{XX} *	BB- 2 AMMM-LL6A ^{XX} * BB- 2 BMMM-LL7A ^{XX} *	BB- 2 BMMA-LL7001

* XX: Choose the cable length from 01~99m

Standard Size: 5/8"-27 UNS > In-line

<ul style="list-style-type: none"> Female Connector (Housing) Female Contacts 2 Points Lock Bayonet 		<p>Field Installable →</p> 	<p>Overmolded with Cable →</p> 	<p>Field Installable</p> 
Current Rating (Code)	Contacts 2	Female Connector (F) Female Contacts (F)	Male Connector (M) Male Contacts (M)	Male Connector (M) Male Contacts (M)
2A (BU)	10, 12	BU- 2 BFFA-LL7001	BU- 2 AMMM-LL6A ^{XX} * BU- 2 BMMM-LL7A ^{XX} *	BU- 2 BMMA-LL7001
5A (BD)	02,03,04, 05,06,07,08	BD- 2 BFFA-LL7001	BD- 2 AMMM-LL6A ^{XX} * BD- 2 BMMM-LL7A ^{XX} *	BD- 2 BMMA-LL7001
10A (BB)	02,03,04	BB- 2 BFFA-LL7001	BB- 2 AMMM-LL6A ^{XX} * BB- 2 BMMM-LL7A ^{XX} *	BB- 2 BMMA-LL7001

* XX: Choose the cable length from 01~99m

Standard Size: 5/8"-27 UNS > In-line

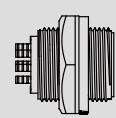
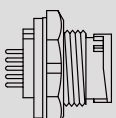
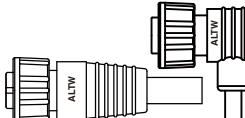
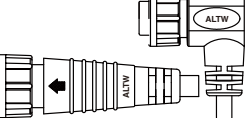
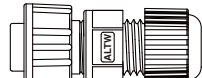
<ul style="list-style-type: none"> Female Connector (Housing) Male Contacts 2 Points Lock Bayonet 		<p>Overmolded with Cable</p>	<p>Overmolded with Cable</p>	<p>Field Installable</p>
Current Rating (Code)	Contacts 2	Female Connector (F) Male Contacts (M)	Male Connector (M) Female Contacts (F)	Male Connector (M) Female Contacts (F)
5A (BD)	02,03,04, 05,06	BD- 2 AFMM-LL6A _{XX} * BD- 2 AFMM-LR7A _{XX} * BD- 2 BFMM-LL7A _{XX} * BD- 2 BFMM-LR6A _{XX} *	BD- 2 AMFM-LL6A _{XX} * BD- 2 BMFM-LL7A _{XX} *	BD- 2 BMFA-LL7001
10A (BB)	02,03	BB- 2 AFMM-LL6A _{XX} * BB- 2 AFMM-LR7A _{XX} * BB- 2 BFMM-LL7A _{XX} * BB- 2 BFMM-LR6A _{XX} *	BB-02AMFM-LL6A _{XX} * BB-02BMFM-LL7A _{XX} * BB-03AMFM-LL6A _{XX} * BB-03BMFM-LL7A _{XX} *	BB-02BMFA-LL7001 BB-03BMFA-LL7001
5A+2A (BDU)	08 (2+6)	BDU-08AFMM-LL6A _{XX} * BDU-08AFMM-LR7A _{XX} * BDU-08BFMM-LL7A _{XX} *	BDU-08AMFM-LL6A _{XX} * BDU-08BMFM-LL7A _{XX} *	BDU-08BMFA-LL7001
10A+5A (BBD)	06 (2+4)	BBD- 2 AFMM-LL6A _{XX} * BBD- 2 AFMM-LR7A _{XX} * BBD- 2 BFMM-LL7A _{XX} * BBD- 2 BFMM-LR6A _{XX} *	BBD-06AMFM-LL6A _{XX} * BBD-06BMFM-LL7A _{XX} *	BBD-06BMFA-LL7001

【Note】 BDU-08AMFM-LL6A_{XX} and BDU-08BMFM-LL7A_{XX} are coming soon.

* _{XX}: Choose the cable length from 01~99m

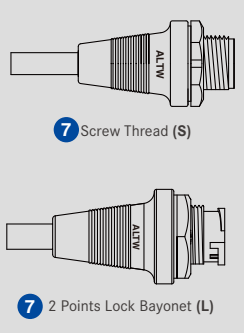
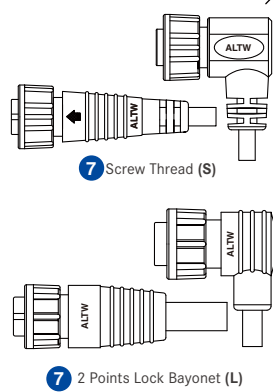
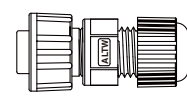
【Note】 Design and specification are subject to change without notice.

Standard Size: 5/8"-27 UNS > Receptacle and Mating Pair

<ul style="list-style-type: none"> • Male Connector (Housing) • Male Contacts • Screw Thread & 2 Points Lock Bayonet 		<p>Receptacle</p>  <p>7 Screw Thread (S)</p>  <p>7 2 Points Lock Bayonet (L)</p> <p>6 Choose the PCB Type (P/R) or Solder Type (S)</p>	<p>Overmolded with Cable</p>  <p>7 Screw Thread (S)</p>  <p>7 2 Points Lock Bayonet (L)</p>	<p>Field Installable</p>  <p>7 Choose 2 Points Lock Bayonet (L) or Screw Thread (S)</p>
		<p>Current Rating (Code)</p> <p>Contacts 2</p>	<p>Male Connector (M) Male Contacts (M)</p>	<p>Female Connector (F) Female Contacts (F)</p>
2A (BU)	10, 12	BU- 2 PMM 6 - 7 C7001 BU- 2 RMMS - 7 C7001	BU- 2 AFFM- 7 L6A _{XX} * BU- 2 AFFM- 7 R7A _{XX} * BU- 2 BFFM- 7 L7A _{XX} * BU- 2 BFFM-LR6A _{XX} *	BU- 2 BFFA- 7 L7001
2A (BSU) *Metal	10	BSU- 2 PMM 6 -SC7001 BSU- 2 RMMS-SC7001	BSU-10BFFM-SL7A _{XX} * BSU-10BFFM-SR6A _{XX} *	BSU-10BFFA-SL7001
5A (BD)	02,03,04, 05,06,07,08	BD- 2 PMM 6 - 7 C7001 BD- 2 RMMS - 7 C7001 BD- 2 RMM 6 -LC7001	BD- 2 AFFM- 7 L6A _{XX} * BD- 2 AFFM- 7 R7A _{XX} * BD- 2 BFFM- 7 L7A _{XX} * BD- 2 BFFM- 7 R6A _{XX} *	BD- 2 BFFA- 7 L7001
5A (BSD)	04,05,06, 07,08	BSD- 2 PMM 6 -SC7001 BSD- 06RMMS-SC7001 BSD- 08RMMS-SC7001	BSD- 2 BFFM-SL6A _{XX} * BSD- 2 BFFM-SR6A _{XX} *	-
10A (BB)	02,03,04	BB- 2 PMM 6 - 7 C7001 BB- 2 RMMS- 7 C7001 BB- 2 RMM 6 -LC7001	BB- 2 AFFM- 7 L6A _{XX} * BB- 2 AFFM- 7 R7A _{XX} * BB- 2 BFFM- 7 L7A _{XX} * BB- 2 BFFM- 7 R6A _{XX} *	BB- 2 BFFA- 7 L7001
10A (BSB) *Metal	04	BSB-04RMMS-SC7001	BSB-04BFFM-SL7A _{XX} *	-

* XX: Choose the cable length from 01~99m

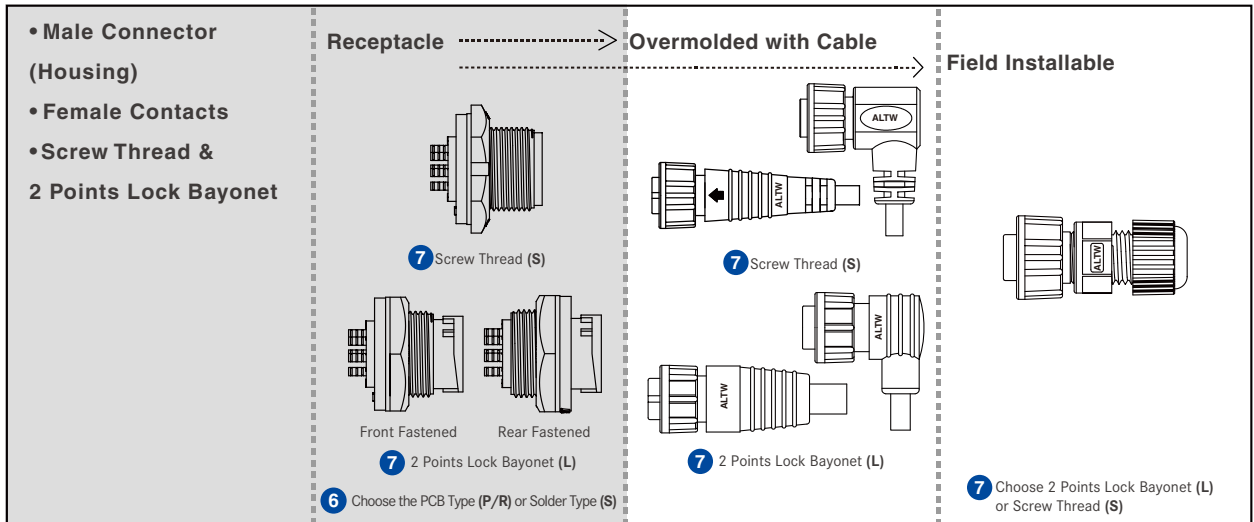
Standard Size: 5/8"-27 UNS > Receptacle with Overmolded Cable and Mating Pair

<ul style="list-style-type: none"> • Male Connector (Housing) • Male Contacts • Screw Thread & 2 Points Lock Bayonet 		<p>Receptacle</p> 	<p>Overmolded with Cable</p> 	<p>Field Installable</p>  <p>7 Choose 2 Points Lock Bayonet (L) or Screw Thread (S)</p>
Current Rating (Code)	Contacts 2	Male Connector (M) Male Contacts (M)	Female Connector (F) Female Contacts (F)	Female Connector (F) Female Contacts (F)
2A (BU)	10, 12	BU- 2 PMMM- 7 L7A _{XX} *	BU- 2 AFFM- 7 L6A _{XX} * BU- 2 AFFM- 7 R7A _{XX} * BU- 2 BFFM- 7 L7A _{XX} *	BU- 2 BFFA- 7 L7001
5A (BD)	02,03,04, 05,06,07,08	BD- 2 PMMM- 7 L7A _{XX} *	BD- 2 AFFM- 7 L6A _{XX} * BD- 2 AFFM- 7 R7A _{XX} * BD- 2 BFFM- 7 L7A _{XX} * BD- 2 BFFM- 7 R6A _{XX} *	BD- 2 BFFA- 7 L7001
10A (BB)	02,03,04	BB- 2 PMMM- 7 L7A _{XX} *	BB- 2 AFFM- 7 L6A _{XX} * BB- 2 AFFM- 7 R7A _{XX} * BB- 2 BFFM- 7 L7A _{XX} * BB- 2 BFFM- 7 R6A _{XX} *	BB- 2 BFFA- 7 L7001

* XX: Choose the cable length from 01-99m

【Note】 Design and specification are subject to change without notice.

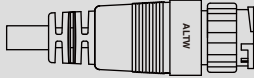
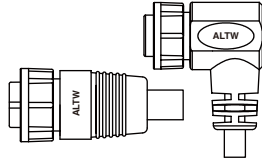
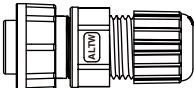
Standard Size: 5/8"-27 UNS > Receptacle and Mating Pair



Current Rating (Code)	Contacts 2	Male Connector (M) Female Contacts (F)	Female Connector (F) Male Contacts (M)	Female Connector (F) Male Contacts (M)
5A (BD)	02,03,04, 05,06	BD- 2 PMF 6 - 7 C7001 BD- 2 RMFS- 7 C7001	BD- 2 AFMM- 7 L6AXX* BD- 2 AFMM- 7 R7AXX* BD- 2 BFMM- 7 L7AXX* BD- 2 BFMM- 7 R6AXX*	BD- 2 BFMA- 7 L7001
10A (BB)	02,03	BB- 2 PMF 6 - 7 C7001 BB- 2 RMFS- 7 C7001	BB- 2 AFMM- 7 L6AXX* BB- 2 AFMM- 7 R7AXX* BB- 2 BFMM- 7 L7AXX* BB- 2 BFMM- 7 R6AXX*	BB- 2 BFMA- 7 L7001
5A+2A (BDU)	08 (2+6)	BDU-08PMF 6 - 7 C7001 BDU-08RMFS- 7 C7001	BDU-08AFMM- 7 L6AXX* BDU-08AFMM- 7 R7AXX* BDU-08BFMM- 7 L7AXX*	BDU-08BFMA- 7 L7001
10A+5A (BBD)	06 (2+4)	BBD-06PMF 6 - 7 C7001 BBD-06RMFS- 7 C7001	BBD- 06AFMM- 7 L6AXX* BBD- 06AFMM- 7 R7AXX* BBD- 06BFMM- 7 L7AXX* BBD- 06BFMM- 7 R6AXX*	BBD-06BFMA- 7 L7001

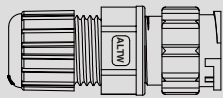
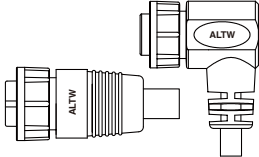
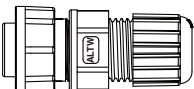
* XX: Choose the cable length from 01~99m

▾ Middle Size: 13/16"-28 UNS > In-line

<ul style="list-style-type: none"> • Male Connector (Housing) • Male Contacts • 2 Points Lock Bayonet 		Overmolded with Cable →	Overmolded with Cable →	Field Installable
				
Current Rating (Code)	Contacts 2	Male Connector (M) Male Contacts (M)	Female Connector (F) Female Contacts (F)	Female Connector (F) Female Contacts (F)
5A (CD)	07,08,09, 10,12,14	CD- 2 AMMM-LL7A _{XX} * CD- 2 BMMM-LL6A _{XX} *	CD- 2 AFFM-LL7A _{XX} * CD- 2 BFFM-LL6A _{XX} * CD- 2 AFFM-LR7A _{XX} *	CD- 2 BFFA-LL7001

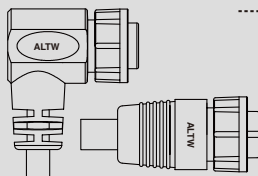

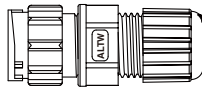
* XX: Choose the cable length from 01-99m

▾ Middle Size: 13/16"-28 UNS > In-line

<ul style="list-style-type: none"> • Male Connector (Housing) • Male Contacts • 2 Points Lock Bayonet 		Field Installable →	Overmolded with Cable →	Field Installable
				
Current Rating (Code)	Contacts 2	Male Connector (M) Male Contacts (M)	Female Connector (F) Female Contacts (F)	Female Connector (F) Female Contacts (F)
5A (CD)	07,08,09, 10,12,14	CD- 2 BMMA-LL7001	CD- 2 AFFM-LL7A _{XX} * CD- 2 AFFM-LR7A _{XX} * CD- 2 BFFM-LL6A _{XX} *	CD- 2 BFFA-LL7001

* XX: Choose the cable length from 01-99m

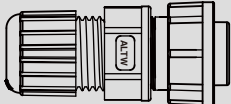
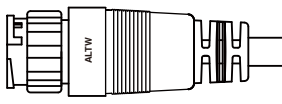
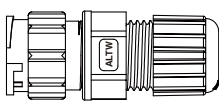
▾ Middle Size: 13/16"-28 UNS > In-line

<ul style="list-style-type: none"> • Female Connector (Housing) • Female Contacts • 2 Points Lock Bayonet 		Overmolded with Cable →	Overmolded with Cable →	Field Installable
				
Current Rating (Code)	Contacts 2	Female Connector (F) Female Contacts (F)	Male Connector (M) Male Contacts (M)	Male Connector (M) Male Contacts (M)
5A (CD)	07,08,09, 10,12,14	CD- 2 AFFM-LL7A _{XX} * CD- 2 AFFM-LR7A _{XX} * CD- 2 BFFM-LL6A _{XX} *	CD- 2 AMMM-LL7A _{XX} * CD- 2 BMMM-LL6A _{XX} *	CD- 2 BMMA-LL7001

* XX: Choose the cable length from 01-99m

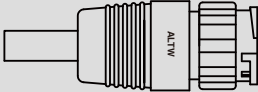
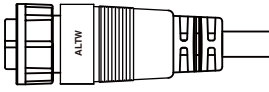
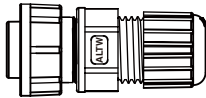
[Note] Design and specification are subject to change without notice.

∨ Middle Size: 13/16"-28 UNS > In-line

<ul style="list-style-type: none"> • Female Connector (Housing) • Female Contacts • 2 Points Lock Bayonet 		Field Installable 	Overmolded with Cable 	Field Installable 
Current Rating (Code)	Contacts 2	Female Connector (F) Female Contacts (F)	Male Connector (M) Male Contacts (M)	Male Connector (M) Male Contacts (M)
5A (CD)	07,08,09, 10,12,14	CD- 2 BFFA-LL7001	CD- 2 AMMM-LL7A ^{XX} * CD- 2 BMMM-LL6A ^{XX} *	CD- 2 BMMA-LL7001

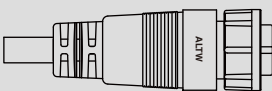
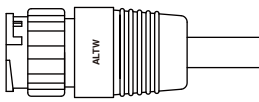
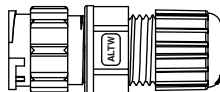
* XX: Choose the cable length from 01~99m

∨ Middle Size: 13/16"-28 UNS > In Line

<ul style="list-style-type: none"> • Male Connector (Housing) • Female Contacts • 2 Points Lock Bayonet 		Overmolded with Cable 	Overmolded with Cable 	Field Installable 
Current Rating (Code)	Contacts 2	Male Connector (M) Female Contacts (F)	Female Connector (F) Male Contacts (M)	Female Connector (F) Male Contacts (M)
5A (CD)	07,08,09	CD- 2 AMFM-LL7A ^{XX} * CD- 2 BMFM-LL6A ^{XX} *	CD- 2 AFMM-LL7A ^{XX} * CD- 2 BFMM-LL6A ^{XX} *	CD- 2 BFMA-LL7001

* XX: Choose the cable length from 01~99m

∨ Middle Size: 13/16"-28 UNS > In Line

<ul style="list-style-type: none"> • Female Connector (Housing) • Male Contacts • 2 Points Lock Bayonet 		Overmolded with Cable 	Overmolded with Cable 	Field Installable 
Current Rating (Code)	Contacts 2	Female Connector (F) Male Contacts (M)	Male Connector (M) Female Contacts (F)	Male Connector (M) Female Contacts (F)
5A (CD)	07,08,09	CD- 2 AFMM-LL7A ^{XX} * CD- 2 BFMM-LL6A ^{XX} *	CD- 2 AMFM-LL7A ^{XX} * CD- 2 BMFM-LL6A ^{XX} *	CD- 2 BMFA-LL7001

* XX: Choose the cable length from 01~99m

∨ Middle Size: 13/16"-28 UNS > Receptacle and Mating Pair

<ul style="list-style-type: none"> • Male Connector (Housing) • Male Contacts • Screw Thread & 2 Points Lock Bayonet 		<p>Receptacle</p> <p>Front Fastened Rear Fastened</p> <p>7 Screw Thread (S)</p> <p>7 2 Points Lock Bayonet (L)</p> <p>6 Choose PCB (P/R) or Solder Type (S)</p>	<p>Overmolded with Cable</p> <p>7 Screw Thread (S)</p> <p>7 2 Points Lock Bayonet (L)</p> <p>** Select cable length from 01-99m</p>	<p>Field Installable</p> <p>7 Choose 2 Points Lock Bayonet (L) or Screw Thread (S)</p>
Current Rating (Code)	Contacts 2	Male Connector (M) Male Contacts (M)	Female Connector (F) Female Contacts (F)	Female Connector (F) Female Contacts (F)
2A (CU)	18	CU-18PMMP-7 C7001 CU-18PMMP-SC7002	CU-18AFFM-7 L7AXX* CU-18BFFM-7 L6AXX*	CU-18BFFA-7 L7001
5A (CD)	07,08,09, 10,12,14	CD- 2 PMM 6 -7 C7001 CD- 2 RMMS- 7 C7001	CD- 2 AFFM-7 L7AXX* CD- 2 BFFM-7 L6AXX* CD- 2 AFFM-LR7AXX*	CD- 2 BFFA-7 L7001
10A (CB)	04,05,06	CB- 2 PMM 6 -7 C7001 CB- 2 RMMS- 7 C7001	CB- 2 AFFM-7 L7AXX* CB- 2 BFFM-7 L6AXX*	CB- 2 BFFA-7 L7001
10A+5A (CBD)	08 (2+6)	CBD-08PMM 6 -7 C7001	CBD-08AFFM-7 L7AXX* CBD-08BFFM-7 L6AXX*	CBD-08BFFA-7 L7001
20A (CC)	03	CC-03PMM 6 -7 C7001 CC-03RMMS- 7 C7001	CC-03AFFM-7 L7AXX* CC-03BFFM-7 L6AXX*	CC-03BFFA-7 L7001

* XX: Choose the cable length from 01-99m

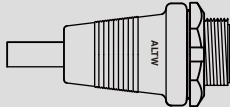
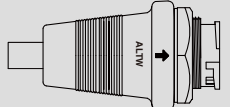
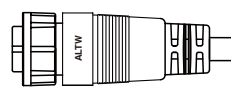
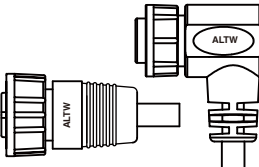
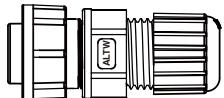
【Note】 Design and specification are subject to change without notice.

Middle Size: 13/16"-28 UNS

Receptacle with Overmolded Cable and Mating Pair
Screw Thread & 2 Points Lock Bayonet

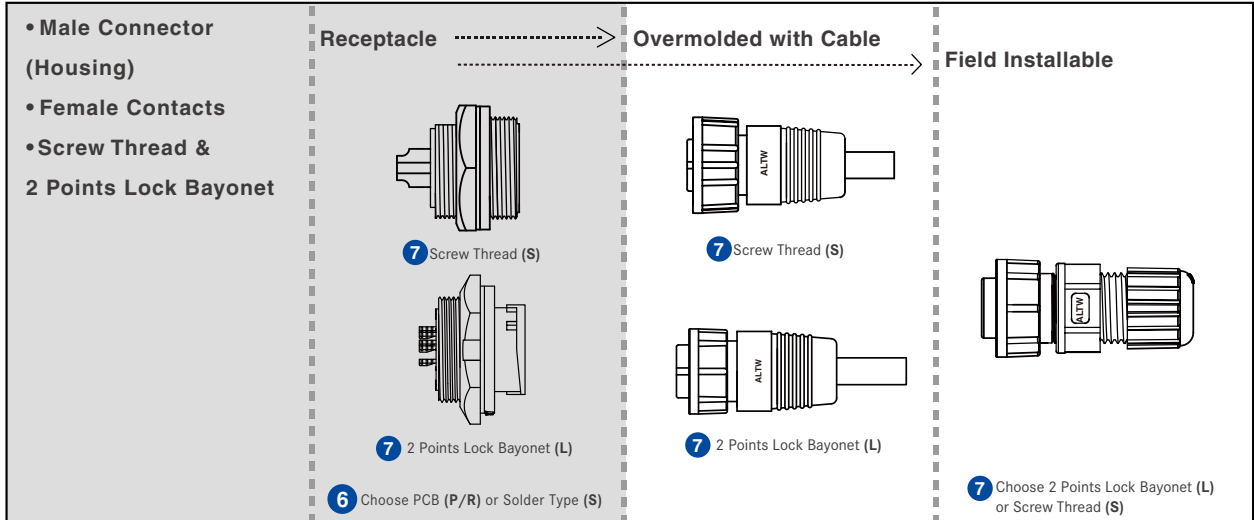
IP 66 ~ 68 9
Unmated or Mated

▾ Middle Size: 13/16"-28 UNS > Receptacle with Overmolded Cable and Mating Pair

<ul style="list-style-type: none"> • Male Connector (Housing) • Male Contacts • Screw Thread & 2 Points Lock Bayonet 		<p>Receptacle</p>  <p>⑦ Screw Thread (S)</p>  <p>⑦ 2 Points Lock Bayonet (L)</p>	<p>Overmolded with Cable</p>  <p>⑦ Screw Thread (S)</p>  <p>⑦ 2 Points Lock Bayonet (L)</p>		<p>Field Installable</p>  <p>⑦ Choose 2 Points Lock Bayonet (L) or Screw Thread (S)</p>
		<p>Current Rating (Code)</p>	<p>Contacts ②</p>	<p>Male Connector (M) Male Contacts (M)</p>	<p>Female Connector (F) Female Contacts (F)</p>
5A (CD)	07,08,09,10,12,14	CD- ② PMMM- ⑦ L7A ^{XX} *	CD- ② AFFM- ⑦ L7A ^{XX} * CD- ② BFFM- ⑦ L6A ^{XX} * CD- ② AFFM-LR7A ^{XX} *	CD- ② BFFA- ⑦ L7001	
10A (CB)	04,05,06	CB- ② PMMM- ⑦ L7A ^{XX} *	CB- ② AFFM- ⑦ L7A ^{XX} * CB- ② BFFM- ⑦ L6A ^{XX} *	CB- ② BFFA- ⑦ L7001	
20A (CC)	03	CC-03PMMM-SL7A ^{XX} *	CC-03AFFM-SL7A ^{XX} * CC-03BFFM-SL6A ^{XX} *	CC-03BFFA-SL7001	

* XX: Choose the cable length from 01~99m

∟ Middle Size: 13/16"-28 UNS > Receptacle and Mating Pair



Current Rating (Code)	Contacts 2	Male Connector (M) Female Contacts (F)	Female Connector (F) Male Contacts (M)	Female Connector (F) Male Contacts (M)
5A (CD)	07,08,09	CD- 2 PMF 6 - 7 C7001 CD- 2 RMFS- 7 C7001	CD- 2 AFMM- 7 L7A _{XX} * CD- 2 BFMM- 7 L6A _{XX} *	CD- 2 BFMA- 7 L7001
5A+2A (CDU)	12 (2+10) 14 (2+12)	CDU- 2 PMF 6 - 7 C7001	CDU- 2 AFMM- 7 L7A _{XX} * CDU- 2 BFMM- 7 L6A _{XX} * CDU- 2 BFMM- 7 L7A _{XX} *	CDU- 2 BFMA- 7 L7001
10A (CB)	04,05	CB- 2 PMF 6 - 7 C7001 CB- 2 RMFS- 7 C7001	CB- 2 AFMM- 7 L7A _{XX} * CB- 2 BFMM- 7 L6A _{XX} *	CB- 2 BFMA- 7 L7001
10A+5A (CBD)	08 (2+6)	CBD-08PMF 6 - 7 C7001	CBD-08AFMM- 7 L7A _{XX} * CBD-08BFMM- 7 L6A _{XX} *	CBD-08BFMA- 7 L7001
20A (CC)	02	CC-02PMFS- LC7001	CC-02AFMM- LL7A _{XX} *	CC-02BFMA-LL7001

* XX: Choose the cable length from 01~99m

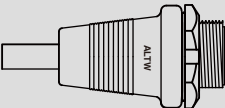
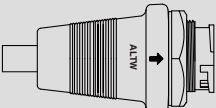
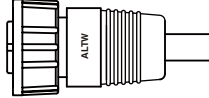
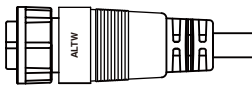
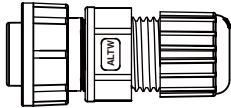
【Note】 Design and specification are subject to change without notice.

Middle Size: 13/16"-28 UNS

Receptacle with Overmolded Cable and Mating Pair
Screw Thread & 2 Points Lock Bayonet

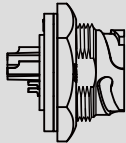
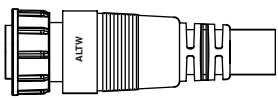
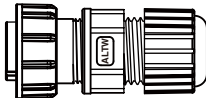
IP 66 ~ 68 9
Unmated or Mated

▾ Middle Size: 13/16"-28 UNS > Receptacle with Overmolded Cable and Mating Pair

<ul style="list-style-type: none"> • Male Connector (Housing) • Female Contacts • Screw Thread & 2 Points Lock Bayonet 		<p>Receptacle</p>  <p>7 Screw Thread (S)</p>  <p>7 2 Points Lock Bayonet (L)</p>	<p>Overmolded with Cable</p>  <p>7 Screw Thread (S)</p>  <p>7 2 Points Lock Bayonet (L)</p>	<p>Field Installable</p>  <p>7 Choose 2 Points Lock Bayonet (L) or Screw Thread (S)</p>
		<p>Male Connector (M) Female Contacts (F)</p>	<p>Female Connector (F) Male Contacts (M)</p>	<p>Female Connector (F) Male Contacts (M)</p>
Current Rating (Code)	Contacts 2			
5A (CD)	07,08,09	CD- 2 PMFM- 7 L7A XX *	CD- 2 AFMM- 7 L7A XX * CD- 2 BFMM- 7 L6A XX *	CD- 2 BFMA- 7 L7001
10A (CB)	04,05	CB- 2 PMFM- 7 L7A XX *	CB- 2 AFMM- 7 L7A XX * CB- 2 BFMM- 7 L6A XX *	CB- 2 BFMA- 7 L7001

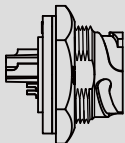
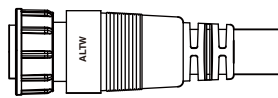
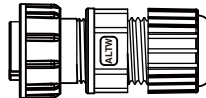
* XX: Choose the cable length from 01~99m

▾ Middle Size: 13/16"-28 UNS > Receptacle and Mating Pair

<ul style="list-style-type: none"> • Male Connector (Housing) • Female Power+Male Signal • 3 Points Lock Bayonet 		<p>Receptacle</p> 	<p>Overmolded with Cable</p> 	<p>Field Installable</p> 
Current Rating (Code)	Contacts	Male Connector (M) Female Power+Male Signal (D)	Female Connector (F) Male Power+Female Signal (E)	Female Connector (F) Male Power+Female Signal (E)
10A+2A (CBU)	(3+5)	CBU-08PMDS-TC7001	CBU-08AFEM-TL7A ^{XX} *	CBU-08BFEA-TL7001

* XX: Choose the cable length from 01~99m

▾ Middle Size: 13/16"-28 UNS > Receptacle and Mating Pair

<ul style="list-style-type: none"> • Male Connector (Housing) • Male Power+Female Signal • 3 Points Lock Bayonet 		<p>Receptacle</p> 	<p>Overmolded with Cable</p> 	<p>Field Installable</p> 
Current Rating (Code)	Contacts	Male Connector (M) Male Power+Female Signal (E)	Female Connector (F) Female Power+Male Signal (D)	Female Connector (F) Female Power+Male Signal (D)
10A+2A (CBU)	(3+5)	CBU-08PMES-TC7001	CBU-08AFDM-TL7A ^{XX} *	CBU-08BFDA-TL7001

* XX: Choose the cable length from 01~99m

【Note】 Design and specification are subject to change without notice.

Large Size: 1"-20 UNEF > In-line

<ul style="list-style-type: none"> • Male Connector (Housing) • Male Contacts • 2 Points Lock Bayonet 		Overmolded with Cable →	Overmolded with Cable →	Field Installable
Current Rating (Code)	Contacts	Male Connector (M) Male Contacts (M)	Female Connector (F) Female Contacts (F)	Female Connector (F) Female Contacts (F)
5A (DD)	18	DD-18AMMM-LL7A ^{XX} * DD-18BMMM-LL6A ^{XX} *	DD-18AFFM-LL7A ^{XX} * DD-18AFFM-LR7A ^{XX} * DD-18BFFM-LL6A ^{XX} *	DD-18BFFA-LL7001

* XX: Choose the cable length from 01~99m

Large Size: 1"-20 UNEF > In-line

<ul style="list-style-type: none"> • Female Connector (Housing) • Female Contacts • 2 Points Lock Bayonet 		Overmolded with Cable →	Overmolded with Cable →	Field Installable
Current Rating (Code)	Contacts	Female Connector (F) Female Contacts (F)	Male Connector (M) Male Contacts (M)	Male Connector (M) Male Contacts (M)
5A (DD)	18	DD-18AFFM-LL7A ^{XX} * DD-18AFFM-LR7A ^{XX} * DD-18BFFM-LL6A ^{XX} *	DD-18AMMM-LL7A ^{XX} * DD-18BMMM-LL6A ^{XX} *	DD-18BMMA-LL7001

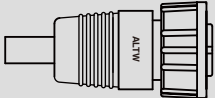
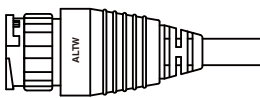
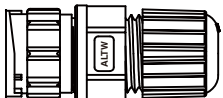
* XX: Choose the cable length from 01~99m

Large Size: 1"-20 UNEF > In-line

<ul style="list-style-type: none"> • Male Connector (Housing) • Female Contacts • 2 Points Lock Bayonet 		Overmolded with Cable →	Overmolded with Cable →	Field Installable
Current Rating (Code)	Contacts	Male Connector (M) Female Contacts (F)	Female Connector (F) Male Contacts (M)	Female Connector (F) Male Contacts (M)
5A (DD)	18	DD-18AMFM-LL7A ^{XX} * DD-18BMFM-LL6A ^{XX} *	DD-18AFMM-LL7A ^{XX} * DD-18BFMM-LL6A ^{XX} *	DD-18BFMA-LL7001

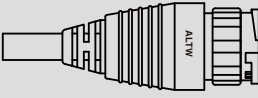
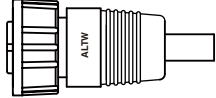
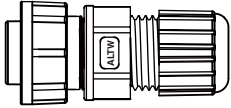
* XX: Choose the cable length from 01~99m

↘ Large Size: 1"-20 UNEF > In-line

<ul style="list-style-type: none"> • Female Connector (Housing) • Male Contacts • 2 Points Lock Bayonet 		Overmolded with Cable 	Overmolded with Cable 	Field Installable 
Current Rating (Code)	Contacts	Female Connector (F) Male Contacts (M)	Male Connector (M) Female Contacts (F)	Male Connector (M) Female Contacts (F)
5A (DD)	18	DD-18AFMM-LL7A _{XX} * DD-18BFMM-LL6A _{XX} *	DD-18AMFM-LL7A _{XX} * DD-18BMFM-LL6A _{XX} *	DD-18BMFA-LL7001


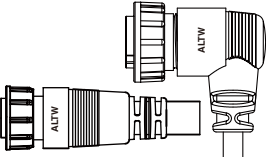
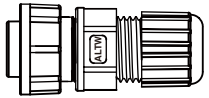
* XX: Choose the cable length from 01~99m

↘ Large Size: 1"-20 UNEF > In-line

<ul style="list-style-type: none"> • Male Connector (Housing) • Female Power+Male Signal • 2 Points Lock Bayonet 		Overmolded with Cable 	Overmolded with Cable 	Field Installable 
Current Rating (Code)	Contacts	Male Connector (M) Female Power+Male Signal (D)	Female Connector (F) Male Power+Female Signal (E)	Female Connector (F) Male Power+Female Signal (E)
20A+2A (DCU)	(3+5)	DCU-08AMDMD-LL7B _{XX} *	DCU-08AFEM-LL7B _{XX} *	DCU-08BFEM-LL7001
20A+5A (DCD)	(3+9)	DCD-12AMDMD-LL7A _{XX} *	DCD-12AFEM-LL7A _{XX} * DCD-12AFEM-LR7A _{XX} *	DCD-12BFEM-LL7001

* XX: Choose the cable length from 01~99m

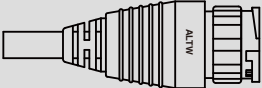
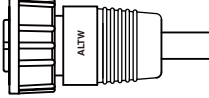
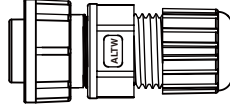
↘ Large Size: 1"-20 UNEF > In-line

<ul style="list-style-type: none"> • Male Connector (Housing) • Female Power+Male Signal • 2 Points Lock Bayonet 		Field Installable 	Overmolded with Cable 	Field Installable 
Current Rating (Code)	Contacts	Male Connector (M) Female Power+Male Signal (D)	Female Connector (F) Male Power+Female Signal (E)	Female Connector (F) Male Power+Female Signal (E)
20A+2A (DCU)	(3+5)	DCU-08BMDD-LL7001	DCU-08AFEM-LL7B _{XX} *	DCU-08BFEM-LL7001
20A+5A (DCD)	(3+9)	DCD-12BMDD-LL7001	DCD-12AFEM-LL7A _{XX} * DCD-12AFEM-LR7A _{XX} *	DCD-12BFEM-LL7001

* XX: Choose the cable length from 01~99m


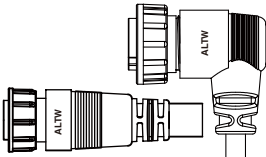
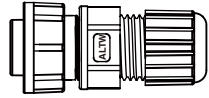
[Note] Design and specification are subject to change without notice.

Large Size: 1"-20 UNEF > In-line

<ul style="list-style-type: none"> • Male Connector (Housing) • Male Power+Female Signal • 2 Points Lock Bayonet 		Overmolded with Cable \rightarrow	Overmolded with Cable \rightarrow	Field Installable
				
Current Rating (Code)	Contacts	Male Connector (M) Male Power+Female Signal (E)	Female Connector (F) Female Power+Male Signal (D)	Female Connector (F) Female Power+Male Signal (D)
20A+2A (DCU)	(3+5)	DCU-08AMEM-LL7BXX*	DCU-08AFDM-LL7BXX*	DCU-08BFDA-LL7001
20A+5A (DCD)	(3+9)	DCD-12AMEM-LL7AXX*	DCD-12AFDM-LL7AXX* DCD-12AFDM-LR7AXX*	DCD-12BFDA-LL7001

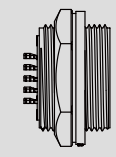
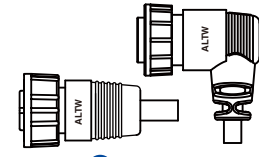
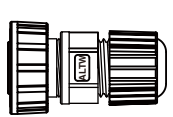
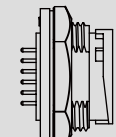
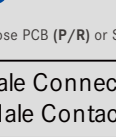
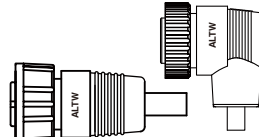
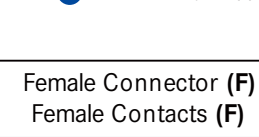

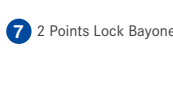
* XX: Choose the cable length from 01~99m

Large Size: 1"-20 UNEF > In-line

<ul style="list-style-type: none"> • Male Connector (Housing) • Male Power+Female Signal • 2 Points Lock Bayonet 		Field Installable \rightarrow	Overmolded with Cable \rightarrow	Field Installable
				
Current Rating (Code)	Contacts	Male Connector (M) Male Power+Female Signal (E)	Female Connector (F) Female Power+Male Signal (D)	Female Connector (F) Female Power+Male Signal (D)
20A+2A (DCU)	(3+5)	DCU-08BMEA-LL7001	DCU-08AFDM-LL7BXX*	DCU-08BFDA-LL7001
20A+5A (DCD)	(3+9)	DCD-12BMEA-LL7001	DCD-12AFDM-LL7AXX* DCD-12AFDM-LR7AXX*	DCD-12BFDA-LL7001

* XX: Choose the cable length from 01~99m

Large Size: 1"-20 UNEF > Receptacle and Mating Pair

<ul style="list-style-type: none"> • Male Connector (Housing) • Male Contacts • Screw Thread & 2 Points Lock Bayonet 		Receptacle 	Overmolded with Cable 	Field Installable 
		 <p>7 Screw Thread (S)</p>  <p>7 2 Points Lock Bayonet (L)</p> <p>6 Choose PCB (P/R) or Solder Type (S)</p>	 <p>7 Screw Thread (S)</p>  <p>7 2 Points Lock Bayonet (L)</p>	 <p>7 Screw Thread (S)</p>  <p>7 2 Points Lock Bayonet (L)</p>
Current Rating (Code)	Contacts 2	Male Connector (M) Male Contacts (M)	Female Connector (F) Female Contacts (F)	Female Connector (F) Female Contacts (F)
2A (DU)	20,21,22**	DU-2 PMM 6-7 C7001	DU-2 AFFM-7 L7A ^{XX} * DU-2 BFFM-7 L6A ^{XX} *	DU-2 BFFA-SL7001
5A (DD)	18	DD-18PMM 6-7 C7001 DD-18RMMS-7 C7001	DD-18AFFM-7 L7A ^{XX} * DD-18AFFM-7 R7A ^{XX} * DD-18BFFM-7 L6A ^{XX} *	DD-18BFFA-7 L7001
20A (DC)	02,03,04, 05,06,07	DC-2 PMM 6-7 C7001 DC-2 PMM 6-7 S7001 DC-2 RMMS-7 C7001	DC-2 AFFM-7 L7A ^{XX} * DC-2 BFFM-7 L6A ^{XX} *	DC-2 BFFA-7 L7001 DC-02BFFB-7 L7001

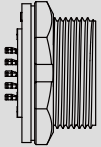
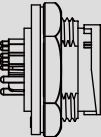
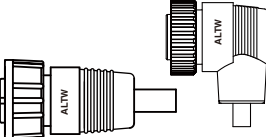
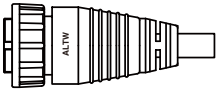
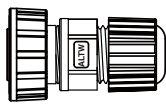
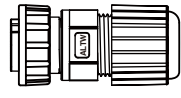
* XX: Choose the cable length from 01~99m
 ** The specification of 22 contacts is upon request.

[Note] Design and specification are subject to change without notice.

Large Size: 1"-20 UNEF

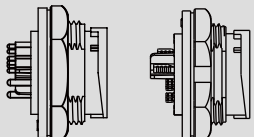
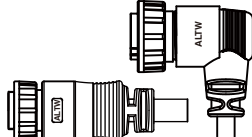
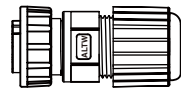
Receptacle and Mating Pair
Screw Thread & 2 Points Lock Bayonet

↘ **Large Size: 1"-20 UNEF > Receptacle and Mating Pair**

<ul style="list-style-type: none"> • Male Connector (Housing) • Female Contacts • Screw Thread & 2 Points Lock Bayonet 		<p>Receptacle</p>  <p>7 Screw Thread (S)</p>  <p>7 2 Points Lock Bayonet (L)</p> <p>6 Choose PCB (P/R) or Solder Type (S)</p>	<p>Overmolded with Cable</p>  <p>7 Screw Thread (S)</p>  <p>7 2 Points Lock Bayonet (L)</p>		<p>Field Installable</p>  <p>7 Screw Thread (S)</p>  <p>7 2 Points Lock Bayonet (L)</p>
		<p>Current Rating (Code)</p> <p>Contacts 2</p> <p>Male Connector (M) Female Contacts (F)</p>	<p>Female Connector (F) Male Contacts (M)</p>	<p>Female Connector (F) Male Contacts (M)</p>	
5A (DD)	18	DD-18PMF 6 - 7 C7001 DD-18PMF 6 - 7 S7001 DD-18RMFS - 7 C7001	DD-18AFMM-7 L7A XX * DD-18BFMM-7 L6A XX *	DD-18BFMA-7 L7001	
5A (DSD) *Metal	18	DSD-18PMF 6 - SS8001 DSD-18PMF 6 - SS8002	DSD-18BFMM-SL6A XX * DSD-18BFMM-SR6A XX *	-	
20A (DC)	02,03	DC-2 PMFP-7 C7001	DC-2 AFMM-7 L7A XX * DC-2 BFMM-7 L6A XX *	DC-2 BFMB-7 L7001	

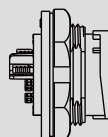
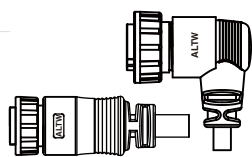
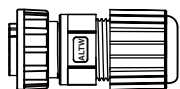
* XX: Choose the cable length from 01~99m

↘ Large Size: 1"-20UNEF > Receptacle and Mating Pair

<ul style="list-style-type: none"> • Male Connector (Housing) • Female Power+Male Signal • 2 Points Lock Bayonet 		<p>Receptacle</p>  <p>PCB (P/R) Type Solder Type (S)</p> <p>6 Choose PCB (P/R) or Solder Type (S)</p>	<p>Overmolded with Cable</p> 	<p>Field Installable</p> 
Current Rating (Code)	Contacts	Male Connector (M) Female Power+Male Signal (D)	Female Connector (F) Male Power+Female Signal (E)	Female Connector (F) Male Power+Female Signal (E)
20A+2A (DCU)	(3+5)	DCU-08PMDS-LC7001	DCU-08AFEM-LL7BXX*	DCU-08BFEA-LL7001
20A+5A (DCD)	(3+9)	DCD-12PMD 6 -LC7001	DCD-12AFEM-LL7AXX* DCD-12AFEM-LR7AXX*	DCD-12BFEA-LL7001

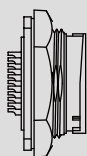
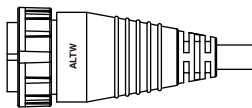
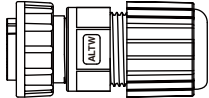
* XX: Choose the cable length from 01~99m

↘ Large Size: 1"-20 UNEF > Receptacle and Mating Pair

<ul style="list-style-type: none"> • Male Connector (Housing) • Male Power+Female Signal • 2 Points Lock Bayonet 		<p>Receptacle</p> 	<p>Overmolded with Cable</p> 	<p>Field Installable</p> 
Current Rating (Code)	Contacts	Male Connector (M) Male Power+Female Signal (E)	Female Connector (F) Female Power+Male Signal (D)	Female Connector (F) Female Power+Male Signal (D)
20A+2A (DCU)	(3+5)	DCU-08PMES-LC7001	DCU-08AFDM-LL7BXX*	DCU-08BFDA-LL7001
20A+5A (DCD)	(3+9)	DCD-12PMES-LC7001	DCD-12AFDM-LL7AXX* DCD-12AFDM-LR7AXX*	DCD-12BFDA-LL7001

* XX: Choose the cable length from 01~99m

↘ Macro Size: 1 3/16"-20 UNS > Receptacle and Mating pair

<ul style="list-style-type: none"> • Male Connector (Housing) • Female Contacts • 2 Points Lock Bayonet 		<p>Receptacle</p>  <p>6 Choose PCB (P) or Solder Type (S)</p>	<p>Overmolded with Cable</p> 	<p>Field Installable</p> 
Current Rating (Code)	Contacts	Male Connector (M) Female Contacts (F)	Female Connector (F) Male Contacts (M)	Female Connector (F) Male Contacts (M)
5A (ED)	31	ED-31PMF 6 -LS7001	ED-31AFMM-LL7AXX*	-

* XX: Choose the cable length from 01~99m

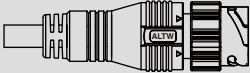
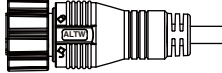
[Note] Design and specification are subject to change without notice.

Other Size

In-line
2 & 3 Points Lock Bayonet



IP 66 ~ 68 9
Unmated or Mated

∟ **Other Size > In-line**

<ul style="list-style-type: none"> • Male Connector (Housing) • Female Power+Male Signal • 3 Points Lock Bayonet 		Receptacle 	Overmolded with Cable 	Field Installable
Current Rating (Code)	Contacts	Male Connector (M) Male Contacts (M)	Female Connector (F) Female Contacts (F)	Female Connector (F) Female Contacts (F)
5A (GBD)	08	GBD-08AMMM-TL8A ^{XX} * GBD-08BMMM-TL7A ^{XX} *	GBD-08AFFM-TL8A ^{XX} * GBD-08BFFM-TL7A ^{XX} *	-

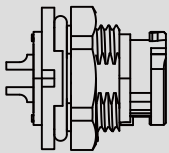
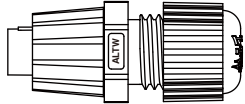
* XX: Choose the cable length from 01~99m

∟ **Other Size > In-line**

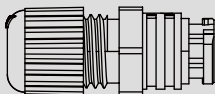
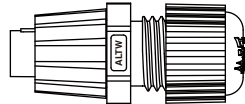
<ul style="list-style-type: none"> • Male Connector (Housing) • Female Power+Male Signal • 2 Points Lock Bayonet 		Receptacle 	Overmolded with Cable 	Field Installable
Current Rating (Code)	Contacts	Male Connector (M) Female Contacts (F)	Female Connector (F) Male Contacts (M)	Female Connector (F) Male Contacts (M)
10A (MAB)	04	MAB-04AMFM-LL7A ^{XX} * MAB-04BMFM-LL6A ^{XX} *	MAB-04AFMM-LL7A ^{XX} * MAB-04BFMM-LL6A ^{XX} *	-

* XX: Choose the cable length from 01~99m

∟ **Other Size > Receptacle and Mating Pair**

<ul style="list-style-type: none"> • Male Connector (Housing) • Female Contacts • Push Lock 		Receptacle 	Field Installable 	Field Installable
Current Rating (Code)	Contacts 2	Male Connector (M) Female Contacts (F)	Female Connector (F) Male Contacts (M)	Female Connector (F) Male Contacts (M)
5A (PLD)	02,03,04	PLD- 2 PMFS-QC7001	PLD- 2 BFMA-QL7001	-

∟ **Other Size > In-line**

<ul style="list-style-type: none"> • Male Connector (Housing) • Female Contacts • Push Lock 		Field Installable 	Field Installable 	Field Installable
Current Rating (Code)	Contacts 2	Male Connector (M) Female Contacts (F)	Female Connector (F) Male Contacts (M)	Female Connector (F) Male Contacts (M)
5A (PLD)	02,03,04	PLD- 2 BMFA-QL7001	PLD- 2 BFMA-QL7001	-

【Note】 Design and specification are subject to change without notice.

Amphenol LTW Technology Co., Ltd. (Headquarter)

9F., No.657-12, Zhongzheng Rd., Xinzhuang Dist., New Taipei City 242, Taiwan
Telephone: +886-2-29085626 Fax: +886-2-29029787
www.amphenolltw.com

Shulin plant, Taiwan

No.10, Shutan St., Shulin Dist., New Taipei City 238, Taiwan

Kunshan plant, China

No. 62 Da Tung Road, Peng Lang Street, Kunshan City , Jiangsu Province, China
Telephone: +86-512-5761-0501
Fax: : +86-512-5761-0515

For further information, please contact :

Sales & Marketing Department | Email : sales@ltw-tech.com



Scan to visit our website

Компания «Океан Электроники» предлагает заключение долгосрочных отношений при поставках импортных электронных компонентов на взаимовыгодных условиях!

Наши преимущества:

- Поставка оригинальных импортных электронных компонентов напрямую с производств Америки, Европы и Азии, а так же с крупнейших складов мира;
- Широкая линейка поставок активных и пассивных импортных электронных компонентов (более 30 млн. наименований);
- Поставка сложных, дефицитных, либо снятых с производства позиций;
- Оперативные сроки поставки под заказ (от 5 рабочих дней);
- Экспресс доставка в любую точку России;
- Помощь Конструкторского Отдела и консультации квалифицированных инженеров;
- Техническая поддержка проекта, помощь в подборе аналогов, поставка прототипов;
- Поставка электронных компонентов под контролем ВП;
- Система менеджмента качества сертифицирована по Международному стандарту ISO 9001;
- При необходимости вся продукция военного и аэрокосмического назначения проходит испытания и сертификацию в лаборатории (по согласованию с заказчиком);
- Поставка специализированных компонентов военного и аэрокосмического уровня качества (Xilinx, Altera, Analog Devices, Intersil, Interpoint, Microsemi, Actel, Aeroflex, Peregrine, VPT, Syfer, Eurofarad, Texas Instruments, MS Kennedy, Miteq, Cobham, E2V, MA-COM, Hittite, Mini-Circuits, General Dynamics и др.);

Компания «Океан Электроники» является официальным дистрибьютором и эксклюзивным представителем в России одного из крупнейших производителей разъемов военного и аэрокосмического назначения «JONHON», а так же официальным дистрибьютором и эксклюзивным представителем в России производителя высокотехнологичных и надежных решений для передачи СВЧ сигналов «FORSTAR».



JONHON

«JONHON» (основан в 1970 г.)

Разъемы специального, военного и аэрокосмического назначения:

(Применяются в военной, авиационной, аэрокосмической, морской, железнодорожной, горно- и нефтедобывающей отраслях промышленности)

«FORSTAR» (основан в 1998 г.)

ВЧ соединители, коаксиальные кабели, кабельные сборки и микроволновые компоненты:

(Применяются в телекоммуникациях гражданского и специального назначения, в средствах связи, РЛС, а так же военной, авиационной и аэрокосмической отраслях промышленности).



Телефон: 8 (812) 309-75-97 (многоканальный)

Факс: 8 (812) 320-03-32

Электронная почта: ocean@oceanchips.ru

Web: <http://oceanchips.ru/>

Адрес: 198099, г. Санкт-Петербург, ул. Калинина, д. 2, корп. 4, лит. А