



CATALOGUE

Circular Connector



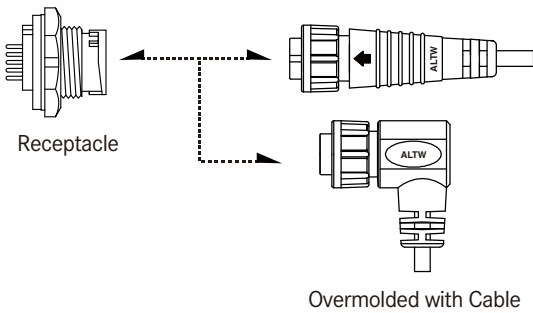


Circular Connector

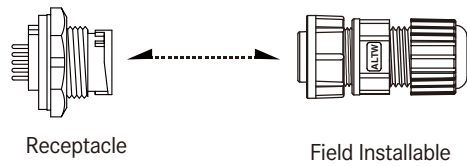


Range Overview

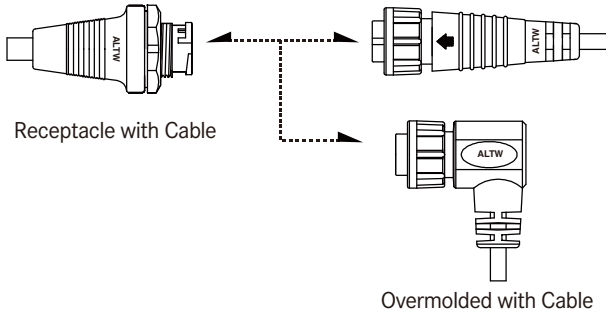
Receptacle To Overmolded with Cable



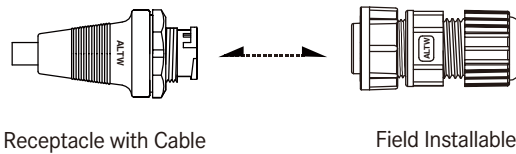
Receptacle To Field Installable



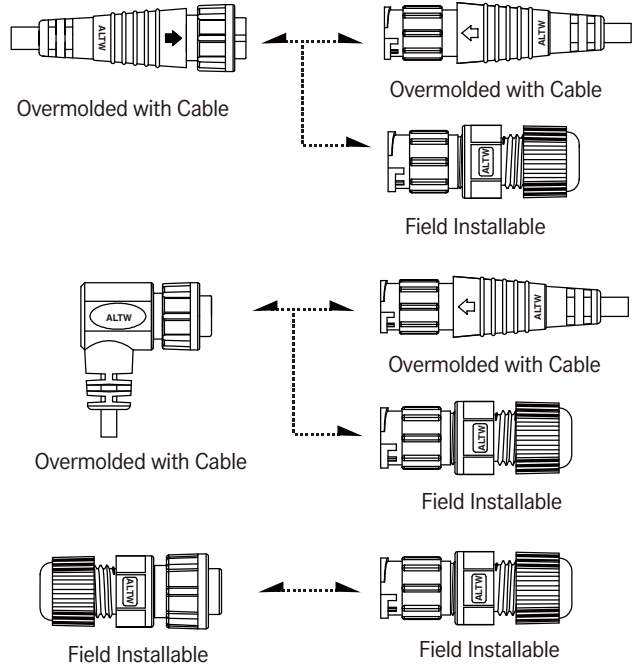
➤ Receptacle with Cable to Overmolded with Cable



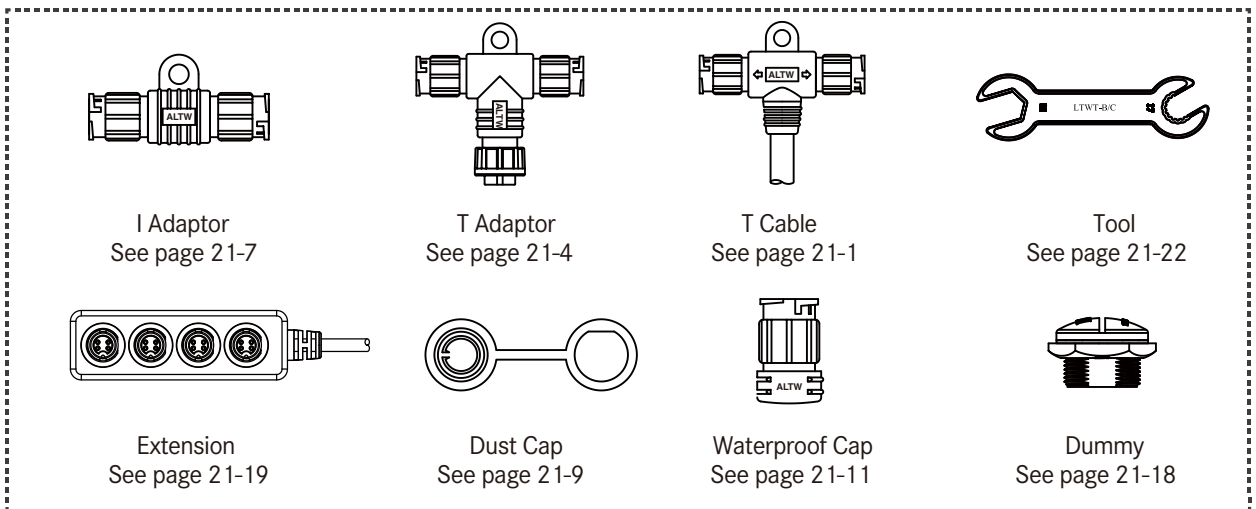
➤ Receptacle with Cable to Field Installable



➤ In Line



➤ Accessories



【Note】 Design and specification are subject to change without notice.

Specification

| | |
|------------------------------|---|
| Identifications | A Size (Mini Size: 7/16"-28 UNS) B Size (Standard Size: 5/8"-27 UNS) C Size (Middle Size: 13/16"-28 UNS) D Size (Large Size: 1"-20 UNEF) E Size (Macro Size: 1 3/16" -20 UNS) |
| Description | Receptacle Receptacle with cable Overmolded with Cable Field Installable |
| Current Rating / Data | 2A, 5A, 10A, 20A, 5A+2A, 10A+2A, 10A+5A, 20A+2A, 20A+5A |
| Material | Contacts: Copper Alloy, Gold Plated Connector Body (Housing) : Nylon+GF, UL Recognized |
| Waterproof Rating | IP66~68 |
| Temperature Range | Receptacle: -40°C~105°C Receptacle with cable: -20°C~80°C Overmolded with Cable: -20°C~80°C Field installable: -40°C~105°C |
| Contact Resistance | ≤ 10mΩ |
| Insulation Resistance | ≥ 100MΩ at DC500V |
| Durability | 1000 cycles |
| Breakdown Voltage | ≥ AC1000V / 1 minute |
| More to know | Salt Spray Corrosion Test: 48H Standard Cable Length: 01~99M |

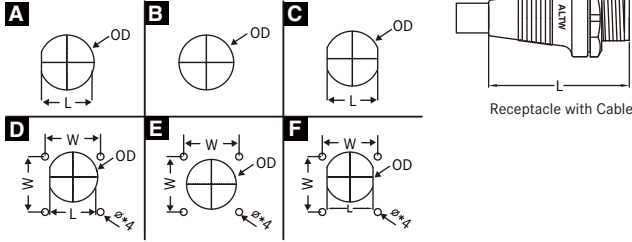
Ordering Information

| | 1 | 2 | 3 | 4 | 5 | 6 | 7 | 8 | 9 | 10 |
|---------------------------------------|---------------------------------------|-----------------------------------|---|---|---|---|---|---|---|----|
| Specification / Current Rating | | | | | | | | | | |
| <u>>Mini Size</u> | <u>>Middle Size</u> | <u>>Macro Size</u> | | | | | | | | |
| (AU) 2A | (CU) 2A | (ED) 5A | | | | | | | | |
| (AD) 5A | (CD) 5A | | | | | | | | | |
| | (CB) 10A | <u>>Others</u> | | | | | | | | |
| <u>>Mini Size Metal</u> | (CC) 20A | (GBD) 10A+5A (Between Standard | | | | | | | | |
| (ASU) 2A | (CDU) 5A+2A | Size & Middle Size) | | | | | | | | |
| (ASD) 5A | (CBU) 10A+2A | (MAB) 10A (Equivalent to AMP) | | | | | | | | |
| | (CBD) 10A+5A | (PLD) 5A (Size 12) | | | | | | | | |
| <u>>Standard Size</u> | (CGU) 16A+2A* | | | | | | | | | |
| (BU) 2A | <u>>Large Size</u> | | | | | | | | | |
| (BD) 5A | (DU) 2A | | | | | | | | | |
| (BB) 10A | (DD) 5A | | | | | | | | | |
| (BDU) 5A+2A | (DC) 20A | | | | | | | | | |
| (BBD) 10A+5A | (DCU) 20A+2A | | | | | | | | | |
| <u>>Standard Size Metal</u> | (DCD) 20A+5A | | | | | | | | | |
| (BSU) 2A | (DCB) 20A+10A* | | | | | | | | | |
| (BSD) 5A | <u>>Large Size Metal</u> | | | | | | | | | |
| (BSB) 10A | (DSD) 5A | | | | | | | | | |
| | | * Coming soon | | | | | | | | |
| Number of Contacts | | | | | | | | | | |
| 02, 03.... | | | | | | | | | | |
| EX. (02) = 2 Contacts | | | | | | | | | | |
| Connector Body (Style) | | | | | | | | | | |
| <u>> For Receptacle</u> | <u>> For Overmolded with Cable</u> | <u>> For Field installable</u> | | | | | | | | |
| (P) Front Fastened | (A) With Strain Relief | (B) Without Strain Relief | | | | | | | | |
| (R) Rear Fastened | (B) Without Strain Relief | | | | | | | | | |
| Connector (Housing) Gender | | | | | | | | | | |
| (M) Male Connector | (F) Female Connector | | | | | | | | | |
| Contact Gender | | | | | | | | | | |
| (M) Male | (D) Female (Power) + Male (Signal) | | | | | | | | | |
| (F) Female | (E) Male (Power) + Female (Signal) | | | | | | | | | |
| Assemble Style | | | | | | | | | | |
| <u>> For Receptacle</u> | <u>> For Overmolded with Cable</u> | | | | | | | | | |
| (S) Solder Type | (M) Overmolded with Cable | | | | | | | | | |
| (B) Screw in Type | <u>> For Field Installable</u> | | | | | | | | | |
| (P) 180° PCB Type | (A) Field installable (Solder) | | | | | | | | | |
| (R) 90° PCB Type | (B) Screw in Type | | | | | | | | | |
| Mating Style | | | | | | | | | | |
| (L) 2 Points Lock Bayonet | (T) 3 Points Lock Bayonet | | | | | | | | | |
| (S) Screw Thread | (Q) Push Lock | | | | | | | | | |
| Backshell | | | | | | | | | | |
| <u>> For Receptacle</u> | <u>> For Overmolded with Cable</u> | <u>> For Field Installable</u> | | | | | | | | |
| (C) Circular | (L) Straight | (L) Straight | | | | | | | | |
| (S) Square | (R) Right Angle | | | | | | | | | |
| Waterproof Rating | | | | | | | | | | |
| (6) IP 66 | | | | | | | | | | |
| (7) IP 67 | | | | | | | | | | |
| (8) IP 68 | | | | | | | | | | |
| More Information | | | | | | | | | | |
| (C00) Similar Standard with | <u>> For Overmolded with Cable</u> | | | | | | | | | |
| TC-ER Cable | (□)+(■) : Cable Type + Cable Length | | | | | | | | | |
| | EX. (A01) = UL2464 Cable + 1M | | | | | | | | | |
| <u>> For Receptacle</u> | (□) : Cable Type | (■) : Cable Length | | | | | | | | |
| (001), (002)..... | (A) UL2464 Cable | From 1M to 99M | | | | | | | | |
| Without Cable : Different | (B) UL2586 Cable | EX. (01) = 1M | | | | | | | | |
| Versions | (C) Power Cable(TC-ER) | | | | | | | | | |

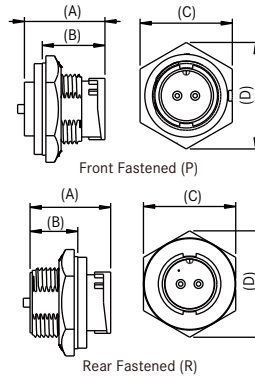
【Note】 Design and specification are subject to change without notice.

Physical Dimension

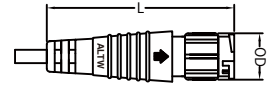
Receptacle Panel Cut-Out



Connector Dimension



Overmolded with Cable



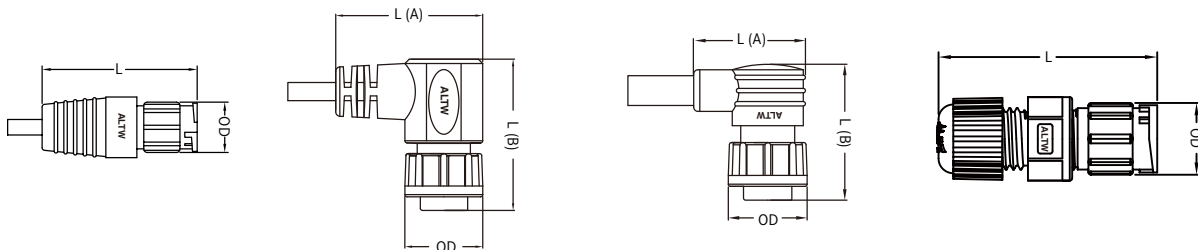
with Strain Relief / Straight

| Current Rating | | Dimension | | Type | L / W | OD | φ | L (Connector Body) |
|----------------|-------------|------------------|------|-------------|-------|------|------|-----------------------|
| Size | Metal | Connector Gender | Male | | | | | |
| Mini Size | - | 2A(AU) | A | 10.4 | 10.9 | - | - | 40.5 |
| | - | 2A(ASU) | D | 10.4 / 12.7 | 10.9 | 3.05 | - | - |
| | Metal | 2A(ASU) | D | 10.4 / 12.7 | 10.9 | 3.05 | - | - |
| | - | 5A(AD) | A | 10.4 | 10.9 | - | - | 40.5 |
| | Metal | 5A(ASD) | D | 10.4 / 12.7 | 10.9 | 3.05 | - | - |
| Standard Size | - | 2A(BU) | A | 14.8 | 15.6 | - | - | 42.6 |
| | Metal | 2A(BSU) | B | - | 15.6 | - | - | - |
| | | | C | 14.0 | 16.0 | - | - | |
| | - | 5A(BD) | A | 14.8 | 15.6 | - | - | 42.6 |
| | Metal | 5A(BSD) | B | - | 15.6 | - | - | - |
| | | | E | 16.0 | 15.6 | 3.1 | - | |
| | - | 5A+2A(BDU) | A | 14.8 | 15.6 | - | - | 42.6 |
| | - | 10A(BB) | A | 14.8 | 15.6 | - | - | 42.6 |
| | Metal | 10A(BSB) | C | 14.1 | 15.6 | - | - | - |
| | | | A | 14.8 | 15.6 | - | - | 42.6 |
| - | 10A+5A(BBD) | A | 14.8 | 15.6 | - | - | 42.6 | |
| Middle Size | - | 2A(CU) | A | 19.4 | 20.8 | - | - | - |
| | - | 5A(CD) | A | 19.4 | 20.8 | - | - | 47.0 |
| | - | 5A+2A(CDU) | A | 19.4 | 20.8 | - | - | - |
| | - | 10A(CB) | A | 19.4 | 20.8 | - | - | 47.0 |
| | - | 10A+2A(CBU) | A | 19.4 | 20.8 | - | - | - |
| | - | 10A+5A(CBD) | A | 19.4 | 20.8 | - | - | 59.5 |
| | - | 20A(CC) | A | 19.4 | 20.8 | - | - | 47.0 |
| Large Size | - | 2A(DU) | A | 23.6 | 25.6 | - | - | - |
| | - | 5A(DD) | A | 23.6 | 25.6 | - | - | - |
| | Metal | 5A(DD) | D | 23.6 / 24.4 | 25.6 | 3.1 | - | - |
| | | | E | 24.8 / 24.5 | 24.8 | 3.1 | - | |
| | | | F | 23.2 / 24.5 | 25.6 | 3.1 | - | |
| | - | 20A(DC) | A | 23.6 | 25.6 | - | - | - |
| | - | 20A(DC) | D | 23.6 / 24.4 | 25.6 | 3.1 | - | - |
| | - | 20A+2A(DCU) | A | 23.6 | 25.6 | - | - | - |
| - | 20A+5A(DCD) | A | 23.6 | 25.6 | - | - | - | |
| Macro Size | - | 5A(ED) | D | 29.0 / 30.1 | 30.1 | 3.5 | - | - |
| Others | - | 10+5A(GBD) | - | - | - | - | - | - |
| | - | 10A(MAB) | - | - | - | - | - | - |
| | - | 5A(PLD) | C | 11.3 | 12.8 | - | - | - |

| A | B | C | D | Panel Thickness Max | |
|--------------------|---------------------|--------------------|--------------------|---------------------|------------------|
| | | | | Lock Type | Screw Type |
| P: 18.4 R: 18.0 | P: 14.0 R: 10.8 | 15.7 | 18.1 | P: 3.5 R: 5.0 | P: 5.0 R: 5.0 |
| 18.6 | 14.0 | 15.7 | 18.1 | P: 3.5 | - |
| P: 18.4 R: 18.0 | P: 14.0 R: 10.8 | 15.7 | 18.1 | P: 3.5 R: 5.0 | P: 5.0 R: 5.0 |
| 18.6 | 14.0 | 15.7 | 18.1 | P: 3.5 | - |
| P: 18.0 R: 18.0 | P: 14.0 R: 10.65 | 20.6 | 23.5 | P: 4.5 R: 5.0 | P: 4.0 R: 5.0 |
| P: 18.8 R: 19.8 | P: 16.3 R: 11.3 | 22.0 | 25.4 | - | P: 5.0 R: 7.0 |
| P: 18.0 R: 18.0 | P: 14.0 R: 10.65 | 20.6 | 25.4 | P: 4.5 R: 5.0 | P: 4.0 R: 5.0 |
| P: 18.0 R: 19.8 | P: 14.0 R: 11.3 | P: 21.0 R: 22.0 | P: 23.9 R: 25.4 | - | P: 4.4 R: 7.0 |
| P: 18.0 R: 18.0 | P: 14.0 R: 10.65 | 20.6 | 23.5 | P: 4.5 R: 5.0 | P: 4.0 R: 5.0 |
| P: 18.0 R: 18.0 | P: 14 R: 10.65 | 20.6 | 23.5 | P: 4.5 R: 5.0 | P: 4.0 R: 5.0 |
| 19.8 | 11.3 | 22.0 | 25.4 | - | R: 7.0 |
| P: 18.0 R: 18.0 | P: 14.0 R: 10.65 | 20.6 | 23.8 | P: 4.5 R: 5.0 | P: 4.0 R: 5.0 |
| 17.0 | 14.0 | 25.4 | 29.3 | P: 4.0 | P: 3.0 |
| P: 17.0 R: 18.0 | P: 14.0 R: 10.0 | 25.4 | 29.3 | P: 4.0 R: 4.0 | P: 3.0 R: 4.0 |
| 18.0 | 14.0 | 25.4 | 29.3 | P: 4.0 | P: 3.0 |
| P: 17.0 R: 18.0 | P: 14.0 R: 10.0 | 25.4 | 29.3 | P: 4.0 R: 4.0 | P: 3.0 R: 4.0 |
| 18.0 | 15.0 | 25.4 | 29.3 | P: 4.0 | - |
| 19.5 | F: 15 R: 11.5 | 25.4 | 29.3 | P: 4.0 | P: 3.0 |
| P: 17.0 R: 18.0 | P: 14.0 R: 10.0 | 25.4 | 29.3 | P: 4.0 R: 4.0 | P: 3.0 R: 4.0 |
| 18.0 | 14.8 | 28.5 | 33.0 | P: 4.0 | - |
| P: 18.0 R: 18.0 | P: 14.9 R: 10.3 | 28.5 | 33.0 | P: 4.0 R: 4.0 | P: 4.0 R: 4.0 |
| 17.9 | 14.6 | 29.0 | 33.5 | - | P: 3.5 |
| 18.0 | 14.6 | 29.0 | 33.4 | - | P: 3.5 |
| P: 18.0 R: 18.0 | P: 14.9 R: 10.3 | 28.5 | 33.0 | P: 4.0 R: 4.0 | P: 4.0 R: 4.0 |
| 18.8 | 14.8 | 28.5 | 33.0 | P: 4.0 | - |
| 19 | P: 14.9 / R: 10.8 | 28.5 | 33.0 | P: 4.0 / R: 3.5 | P: 4.0 / R: 3.5 |
| 17.6 | 14.9 | 34.9 | 4.0 | P: 3.5 | - |
| - | - | - | - | - | - |
| - | - | - | - | - | - |
| 15.9 | 13.4 | 15.8 | 17.3 | P: 3.0 | - |

| L | | OD | |
|--------|------|--------------------|--------------------|
| Female | Male | Female | Male |
| 43.5 | 44.5 | 15.2 | 13.5 |
| - | - | - | - |
| 43.5 | 44.5 | 15.2 | 13.5 |
| - | - | - | - |
| 55.5 | 59.0 | S: 20.0 L: 18.0 | 14.6 |
| - | - | - | - |
| 55.5 | 59.0 | S: 20.0 L: 18.0 | 14.6 |
| - | - | - | - |
| 55.5 | 59.0 | S: 20.0 L: 18.0 | 14.6 |
| - | - | - | - |
| 43.0 | 59.0 | S: 20.0 L: 18.0 | 14.6 |
| 60.0 | - | L: 22.2 S: 25.4 | - |
| 60.0 | 60.0 | L: 22.2 S: 25.4 | 20.0 |
| 60.5 | - | L: 22.2 S: 25.4 | - |
| 60.0 | - | L: 22.2 S: 25.4 | - |
| 60.3 | - | 23.0 | - |
| 60.0 | - | L: 22.2 S: 25.4 | - |
| 60.0 | - | L: 22.2 S: 25.4 | - |
| 60.0 | - | L: 22.2 S: 25.4 | - |
| 59.5 | - | S: 32.0 L: 28.5 | - |
| 59.5 | 59.5 | S: 32.0 L: 28.5 | 22.5 |
| - | - | - | - |
| - | - | - | - |
| 59.5 | - | S: 32.0 L: 28.5 | - |
| 63.5 | 69.7 | 28.5 | 22.5 |
| 59.5 | 59.5 | S: 32.0 L: 28.5 | S: 32.0 L: 28.5 |
| 70.0 | - | 33.3 | - |
| 68.7 | 73.5 | 26.6 | 25.0 |
| 61.5 | 61.5 | 23.0 | 19.4 |
| - | - | - | - |

Field installable



without Strain Relief / Straight

with Strain Relief / Right Angle

without Strain Relief / Right Angle

without Strain Relief / Straight

| L | | OD | |
|--------|------|------------------|------|
| Female | Male | Female | Male |
| 34.0 | 35.3 | 15.2 | 13.5 |
| - | - | - | - |
| 34.0 | 35.3 | 15.2 | 13.5 |
| - | - | - | - |
| 43.0 | 45.0 | S-20.0 L-18.0 | 14.6 |
| 37.8 | - | 19.0 | - |
| 43.0 | 45.0 | S-20.0 L-18.0 | 14.6 |
| 37.8 | - | 19.0 | - |
| 43.0 | - | S-20.0 L-18.0 | - |
| 43.0 | 45.0 | S-20.0 L-18.0 | 14.6 |
| - | - | - | - |
| 43.0 | 45.0 | S-20.0 L-18.0 | 14.6 |
| 41.8 | - | L-22.2 S-25.4 | - |
| 41.8 | 41.8 | L-22.2 S-25.4 | 20.0 |
| 41.8 | - | L-22.2 S-25.4 | - |
| 41.8 | - | L-22.2 S-25.4 | - |
| - | - | - | - |
| 41.8 | - | L-22.2 S-25.4 | - |
| 41.8 | - | L-22.2 S-25.4 | - |
| 52.0 | - | S-32.0 L-28.5 | - |
| 52.0 | 52.0 | S-32.0 L-28.5 | 22.5 |
| 49.3 | - | 30.0 | - |
| 49.3 | - | 30.0 | - |
| 52.0 | - | S32.0 L-28.5 | - |
| - | - | - | - |
| - | - | - | - |
| 60.2 | 65.0 | 26.6 | 25.0 |
| 53.0 | 53.0 | 23.0 | 19.4 |
| - | - | - | - |

| L [A] | | L [B] | | OD | |
|--------|------|--------|------|------------------|------|
| Female | Male | Female | Male | Female | Male |
| - | - | - | - | - | - |
| - | - | - | - | - | - |
| - | - | - | - | - | - |
| 34.0 | - | 35.0 | - | S-20.0 L-18.0 | - |
| - | - | - | - | - | - |
| 34.0 | - | 35.0 | - | S-20.0 L-18.0 | - |
| - | - | - | - | - | - |
| 34.0 | - | 35.0 | - | S-20.0 L-18.0 | - |
| 34.0 | - | 35.0 | - | S-20.0 L-18.0 | - |
| - | - | - | - | - | - |
| 34.0 | - | 35.0 | - | S-20.0 L-18.0 | - |
| - | - | - | - | - | - |
| 42.5 | - | 39.5 | - | 22.2 | - |
| - | - | - | - | - | - |
| - | - | - | - | - | - |
| - | - | - | - | - | - |
| - | - | - | - | - | - |
| - | - | - | - | - | - |
| - | - | - | - | - | - |
| - | - | - | - | - | - |
| - | - | - | - | - | - |
| 44.1 | - | 49.8 | - | S-32.0 L-28.5 | - |
| 40.0 | - | 40.0 | - | 30.0 | - |
| 40.0 | - | 40.0 | - | 30.0 | - |
| - | - | - | - | - | - |
| - | - | - | - | - | - |
| 44.1 | - | 49.8 | - | 28.5 | - |
| - | - | - | - | - | - |
| - | - | - | - | - | - |
| - | - | - | - | - | - |
| - | - | - | - | - | - |
| - | - | - | - | - | - |

| L [A] | | L [B] | | OD | |
|--------|------|--------|------|------------------|------|
| Female | Male | Female | Male | Female | Male |
| 24.0 | - | 29.4 | - | 15.2 | - |
| - | - | - | - | - | - |
| 24.0 | - | 29.4 | - | 15.2 | - |
| - | - | - | - | - | - |
| - | - | - | - | - | - |
| 30.0 | - | 33.6 | - | 19.0 | - |
| 25.5 | - | 31.0 | - | S-20.0 L-18.0 | - |
| 30.0 | - | 33.6 | - | 19.0 | - |
| - | - | - | - | - | - |
| 25.5 | - | 31.0 | - | S-20.0 L-18.0 | - |
| - | - | - | - | - | - |
| 25.5 | - | 31.0 | - | S-20.0 L-18.0 | - |
| - | - | - | - | - | - |
| - | - | - | - | - | - |
| - | - | - | - | - | - |
| - | - | - | - | - | - |
| - | - | - | - | - | - |
| - | - | - | - | - | - |
| - | - | - | - | - | - |
| - | - | - | - | - | - |
| 40.0 | - | 40.0 | - | 30.0 | - |
| 40.0 | - | 40.0 | - | 30.0 | - |
| - | - | - | - | - | - |
| - | - | - | - | - | - |
| - | - | - | - | - | - |
| - | - | - | - | - | - |
| - | - | - | - | - | - |
| - | - | - | - | - | - |

| L | | OD | |
|--------|-------|------------------|------|
| Female | Male | Female | Male |
| 41.5 | 41.5 | 15.2 | 13.5 |
| - | - | - | - |
| 41.5 | 41.5 | 15.2 | 13.5 |
| - | - | - | - |
| 44.0 | 43.0 | S-20.0 L-18.0 | 14.6 |
| - | - | - | - |
| 43.0 | 43.0 | S-20.0 L-18.0 | 14.6 |
| - | - | - | - |
| 43.0 | - | S-20.0 L-18.0 | - |
| 43.0 | 43.0 | S-20.0 L-18.0 | 14.6 |
| - | - | - | - |
| 43.0 | 43.0 | S-20.0 L-18.0 | 14.6 |
| 48.2 | - | L-22.2 S-25.4 | - |
| 48.2 | 48.65 | L-22.2 S-25.4 | 20.0 |
| - | - | - | - |
| 48.2 | - | L-22.2 S-25.4 | - |
| 49.7 | - | 23.0 | - |
| - | - | - | - |
| 48.2 | - | L-22.2 S-25.4 | - |
| - | - | - | - |
| - | - | - | - |
| 54.9 | 54.9 | S-32.0 L-28.5 | 23.0 |
| - | - | - | - |
| - | - | - | - |
| 54.9 | 54.9 | S-32.0 L-28.5 | 23.0 |
| 62.8 | 59.3 | L-28.5 | 23.0 |
| 59.9 | 59.9 | L-28.5 | 23.0 |
| - | - | - | - |
| - | - | - | - |
| 39.2 | 35.3 | 15.0 | 15.0 |

Unit: mm

[Note] Design and specification are subject to change without notice.

Contact Configuration

| | Mini Size (A) | | | | | | Standard Size (B) | | | | | | | |
|--------|---------------|----------|-----------|----------|----------|----------|-------------------|----------|-----------|-----------|-----------|----------|-----------|-----------|
| | 2A(AU)(ASU) | | 5A(AD) | | 5A(ASD) | | 2A(BU)(BSU) | | 5A(BD) | | 5A(BSD) | | 10A(BB) | |
| 4 5 | MM or FF | MF or FM | MM or FF | MF or FM | MM or FF | MF or FM | MM or FF | MF or FM | MM or FF | MF or FM | MM or FF | MF or FM | MM or FM | MF or FM |
| 2 Pin | | | | | | | | | | | | | | |
| | | | R C F | | R | | | | R C F | R C F | | | R C F | R C F |
| 3 Pin | | | | | | | | | | | | | | |
| | | | R C F | | | | | | R C F | R C F | | | R C F | R C F |
| 4 Pin | | | | | | | | | | | | | | |
| | R C F | | | | | | | | R C F | R C F | R C F | | R C F | |
| 5 Pin | | | | | | | | | | | | | | |
| | R C F | | | | | | | | R C F | R C F | R C F | | | |
| 6 Pin | | | | | | | | | | | | | | |
| | R C F | | | | | | | | R C F | R C F | R C F | | | |
| 7 Pin | | | | | | | | | | | | | | |
| | | | | | | | | | R C F | | R C F | | | |
| 8 Pin | | | | | | | | | | | | | | |
| | | | | | | | | | R C F | | R C F | | | |
| 9 Pin | | | | | | | | | | | | | | |
| 10 Pin | | | | | | | | | | | | | | |
| | | | | | | | R C F | | | | | | | |
| 12 Pin | | | | | | | | | | | | | | |
| | | | | | | | R C F | | | | | | | |
| 14 Pin | | | | | | | | | | | | | | |
| 18 Pin | | | | | | | | | | | | | | |
| 20 Pin | | | | | | | | | | | | | | |
| 21 Pin | | | | | | | | | | | | | | |
| 22 Pin | | | | | | | | | | | | | | |
| 31 Pin | | | | | | | | | | | | | | |

* Standard Size Metal (BSU): 10 Contact

Circular Connector I Contact Configuration

Standard Size (10A I 5A+2A I 10A+5A)
 Middle Size (2A I 5A I 10A I 20A I 5A+2A)

| Standard Size (B) | | | | | | Middle Size (C) | | | |
|-------------------|----------|------------|----------|-------------|----------|-----------------|----------|----------|----------|
| 10A(BSB) | | 5A+2A(BDU) | | 10A+5A(BBD) | | 2A(CU) | | 5A(CD) | |
| MM or FF | MF or FM | MM or FF | MF or FM | MM or FF | MF or FM | MM or FF | MF or FM | MM or FF | MF or FM |
| | | | | | | | | | |
| | | | | | | | | | |
| | | | | | | | | | |
| | | | | | | | | | |
| | | | | | | | | | |
| | | | | | | | | | |
| | | | | | | | | | |
| | | | | | | | | | |
| | | | | | | | | | |
| | | | | | | | | | |
| | | | | | | | | | |
| | | | | | | | | | |
| | | | | | | | | | |
| | | | | | | | | | |
| | | | | | | | | | |
| | | | | | | | | | |
| | | | | | | | | | |
| | | | | | | | | | |
| | | | | | | | | | |
| | | | | | | | | | |
| | | | | | | | | | |
| | | | | | | | | | |
| | | | | | | | | | |
| | | | | | | | | | |

R: Receptacle
 C: Overmolded with Cable
 F: Field Installable

- 2A (AU/ASU/BSU/BU/CU/DU) ①
- ▲ 5A (AD/ASD/BD/BSD/CD/DD/DSD/ED/PLD)
- 10A (BB/BSB/MAB)
- ◇ 20A (CC/DC)
- ▲● 5A+2A (BDU/CDU)
- 10A+2A (CBU)
- ▲ 10A+5A (BBD/CBD/GBD)
- ◇● 20A+2A (DCU)
- ◇▲ 20A+5A (DCD)

Number of Contacts: ②
 Ex.2 contacts (02)

Connector (Housing) Gender: ④
 Male (M) or Female (F)

Contact Gender: ⑤
 Male (M) or Female (F)
 Male + Female (D) / (E)*





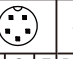













More to Choose: ⑥

- Solder (S) - Solder Cup 
- Screw In (B) 
- PCB Type - 90° PCB (R)* 
- 180° PCB (P)* 
- Crimp (C)* 

More available:
 1. The plating to gold or tin
 2. Plated thickness
 * Refer to page 1-6 for ordering info
 ** PCB and crimp styles are upon request for certain of items.
 Please contact with ALTW in advance.

[Note] Design and specification are subject to change without notice.

Contact Configuration

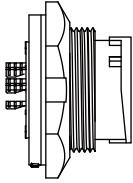
| | Middle Size (C) | | | | | | Middle Size (C) | | | | Large Size (D) | | | |
|--------|---|---|---|---|------------|---|---|---|---|---|--|---|---|----------|
| | 10A(CB) | | 20A(CC) | | 5A+2A(CDU) | | 10A+5A(CBD) | | 10A+2A(CBU) | | 2A(DU) | | 5A(DD)(DSD) | |
| 4 5 | MM or FF | MF or FM | MM or FF | MF or FM | MM or FF | MF or FM | MM or FF | MF or FM | MM or FF | MF or FM | MM or FF | MF or FM | MM or FF | MF or FM |
| 2 Pin | | | |  | | | | | | | | | | |
| | | | | R C F | | | | | | | | | | |
| 3 Pin | | |  | | | | | | | | | | | |
| | | | R C F | | | | | | | | | | | |
| 4 Pin |  |  | | | | | | | | | | | | |
| | R C F | R C F | | | | | | | | | | | | |
| 5 Pin |  |  | | | | | | | | | | | | |
| | R C F | R C F | | | | | | | | | | | | |
| 6 Pin |  | | | | | | | | | | | | | |
| | R C F | | | | | | | | | | | | | |
| 7 Pin | | | | | | | | | | | | | | |
| 8 Pin | | | | | | |  |  |  |  | | | | |
| | | | | | | | R C | R C | R C F | R C F | | | | |
| 9 Pin | | | | | | | | | | | | | | |
| 10 Pin | | | | | | | | | | | | | | |
| 12 Pin | | | | | |  | | | | | | | | |
| | | | | | | R C F | | | | | | | | |
| 14 Pin | | | | | |  | | | | | | | | |
| | | | | | | R C F | | | | | | | | |
| 18 Pin | | | | | | | | | | | |  |  | |
| | | | | | | | | | | | | R C F | R C F | |
| 20 Pin | | | | | | | | | | |  | | | |
| | | | | | | | | | | | R C F | | | |
| 21 Pin | | | | | | | | | | |  | | | |
| | | | | | | | | | | | R C F | | | |
| 22 Pin | | | | | | | | | | |  | | | |
| | | | | | | | | | | | R C F | | | |
| 31 Pin | | | | | | | | | | | | | | |

| Large Size (D) | | | | | | Marco Size (E) | | Other Size | | | | | |
|----------------|----------|-------------|-----------|-------------|-----------|----------------|----------|-------------|----------|----------|-----------|----------|----------|
| 20A(DC) | | 20A+2A(DCU) | | 20A+5A(DCD) | | 5A(ED) | | 10A+5A(GBD) | | 10A(MAB) | | 5A(PLD) | |
| MM or FF | MF or FM | MM or FF | MF or FM | MM or FF | MF or FM | MM or FF | MF or FM | MM or FF | MF or FM | MM or FF | MF or FM | MM or FF | MF or FM |
| | | | | | | | | | | | | | |
| R C F | | | | | | | | | | | | | R F |
| | | | | | | | | | | | | | |
| R C F | | | | | | | | | | | | | R F |
| | | | | | | | | | | | | | |
| R C F | | | | | | | | | | | R C F | | R F |
| | | | | | | | | | | | | | |
| R C F | | | | | | | | | | | | | |
| | | | | | | | | | | | | | |
| R C F | | | | | | | | | C | | | | |
| | | | | | | | | | | | | | |
| | | R C F | R C F | | | | | | | | | | |
| | | | | | | | | | | | | | |
| | | | | | | | | | | | | | |
| | | | | R C F | R C F | | | | | | | | |
| | | | | | | | | | | | | | |
| | | | | | | | | | | | | | |
| | | | | | | | | | | | | | |
| | | | | | | | | | | | | | |
| | | | | | | | | | | | | | |
| | | | | | | | | | | | | | |
| | | | | | | | | | | | | | |
| | | | | | | | | | | | | | |
| | | | | | | | | | | | | | |
| | | | | | | | | | R C | | | | |

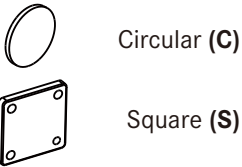
[Note] Design and specification are subject to change without notice.

Product Features

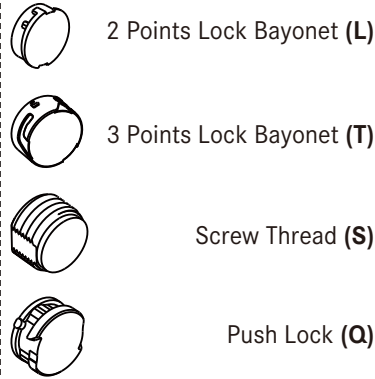
Receptacle



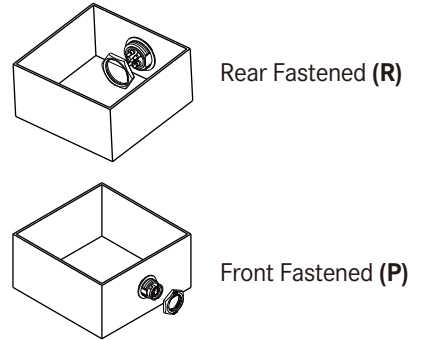
Flange 8



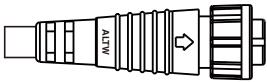
Mating Style 7



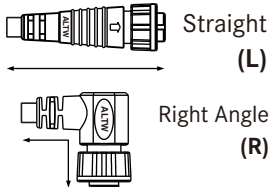
Connector Body(Style) 3



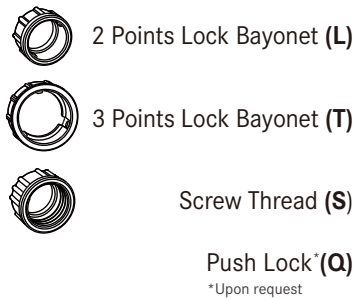
Overmolded with Cable



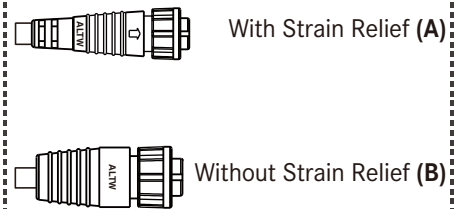
Backshell 8



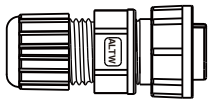
Mating Style 7



Connector Body(Style) 3



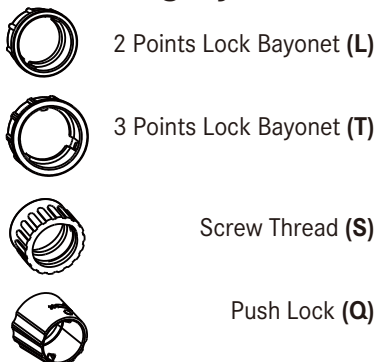
Field Installable



Backshell 8



Mating Style 7



Connector Body(Style) 3



Find Our Standard Products

Mini Size: 7/16"-28 UNS > In-line

| <ul style="list-style-type: none"> • Male Connector (Housing) • Male Contacts • 2 Points Lock Bayonet | | Overmolded with Cable → | Overmolded with Cable → | Field Installable |
|--|-------------------|--|--|---|
| | | | | |
| Current Rating (Code) | Contacts 2 | Male Connector (M) Male Contacts (M) | Female Connector (F) Female Contacts (F) | Female Connector (F) Female Contacts (F) |
| 2A (AU) | 04,05,06 | AU- 2 AMMM-LL6A ^{XX} * AU- 2 BMMM-LL7A ^{XX} * | AU- 2 AFFM-LL6A ^{XX} * AU- 2 BFFM-LL7A ^{XX} * AU- 2 BFFM-LR6A ^{XX} * | AU- 2 BFFA-LL7001 |
| 5A (AD) | 02,03 | AD- 2 AMMM-LL6A ^{XX} * AD- 2 BMMM-LL7A ^{XX} * | AD- 2 AFFM-LL6A ^{XX} * AD- 2 BFFM-LL7A ^{XX} * AD- 2 BFFM-LR6A ^{XX} * | AD- 2 BFFA-LL7001 |

* XX: Choose the cable length from 01~99m

Mini Size: 7/16"-28 UNS > In-line

| <ul style="list-style-type: none"> • Female Connector (Housing) • Female Contacts • 2 Points Lock Bayonet | | Overmolded with Cable → | Overmolded with Cable → | Field Installable |
|--|-------------------|--|--|---|
| | | | | |
| Current Rating (Code) | Contacts 2 | Female Connector (F) Female Contacts (F) | Male Connector (M) Male Contacts (M) | Male Connector (M) Male Contacts (M) |
| 2A (AU) | 04,05,06 | AU- 2 AFFM-LL6A ^{XX} * AU- 2 BFFM-LL7A ^{XX} * AU- 2 BFFM-LR6A ^{XX} * | AU- 2 AMMM-LL6A ^{XX} * AU- 2 BMMM-LL7A ^{XX} * | AU- 2 BMMA-LL7001 |
| 5A (AD) | 02,03 | AD- 2 AFFM-LL6A ^{XX} * AD- 2 BFFM-LL7A ^{XX} * AD- 2 BFFM-LR6A ^{XX} * | AD- 2 AMMM-LL6A ^{XX} * AD- 2 BMMM-LL7A ^{XX} * | AD- 2 BMMA-LL7001 |

* XX: Choose the cable length from 01~99m

[Note] Design and specification are subject to change without notice.

Mini Size: 7/16"-28 UNS > Receptacle and Mating Pair

| <ul style="list-style-type: none"> • Male Connector (Housing) • Male Contacts • Screw Thread & 2 Points Lock Bayonet | | <p>Receptacle</p> <p>7 2 Points Lock Bayonet (L) 7 Screw Thread (S) 6 Choose the PCB Type (P/R) or Solder Type (S) 8 Choose the backshell circular (C) or square flange (S). 10 Choose Plastic (001) or Metal Nut (002)</p> | <p>Overmolded with Cable</p> <p>7 Choose 2 Points Lock Bayonet (L) or Screw Thread (S)</p> | <p>Field Installable</p> <p>7 Choose 2 Points Lock Bayonet (L) or Screw Thread (S)</p> |
|---|------------|---|---|--|
| Current Rating (Code) | Contacts 2 | Male Connector (M) Male Contacts (M) | Female Connector (F) Female Contacts (F) | Female Connector (F) Female Contacts (F) |
| 2A (AU) | 04,05,06 | AU-2 PMM 6-7 8 7001 AU-2 RMMS - 7 C7001 | AU-2 AFFM-7 L6A _{XX} * AU-2 BFFM-7 L7A _{XX} * AU-2 BFFM-7 R6A _{XX} * | AU-2 BFFA-7 L7001 |
| 2A (ASU) *Metal | 04,05,06 | ASU-2 PMMS- LS700 10 | AU-2 AFFM-LL6A _{XX} * AU-2 BFFM-LL7A _{XX} * AU-2 BFFM-LR6A _{XX} * | AU-2 BFFA-LL7001 |
| 5A (AD) | 02,03 | AD-2 PMM 6-7 8 7001 AD-2 RMMS - 7 C700 10 | AD-2 AFFM-7 L6A _{XX} * AD-2 BFFM-7 L7A _{XX} * AD-2 BFFM-7 R6A _{XX} * | AD-2 BFFA-7 L7001 |
| 5A (ASD) *Metal | 02,03 | ASD-2 PMM 6-LS700 10 | AD-2 AFFM-LL6A _{XX} * AD-2 BFFM-LL7A _{XX} * AD-2 BFFM-LR6A _{XX} * | AD-2 BFFA-LL7001 |

* XX: Choose the cable length from 01~99m

Mini Size: 7/16"-28 UNS > Receptacle with Overmolded Cable and Mating Pair

| <ul style="list-style-type: none"> • Male Connector (Housing) • Male Contacts • Screw Thread & 2 Points Lock Bayonet | | <p>Receptacle</p> <p>7 2 Points Lock Bayonet (L) 7 Screw Thread (S)</p> | <p>Overmolded with Cable</p> <p>7 Choose 2 Points Lock Bayonet (L) or Screw Thread (S)</p> | <p>Field Installable</p> <p>7 Choose 2 Points Lock Bayonet (L) or Screw Thread (S)</p> |
|---|------------|---|---|--|
| Current Rating (Code) | Contacts 2 | Male Connector (M) Male Contacts (M) | Female Connector (F) Female Contacts (F) | Female Connector (F) Female Contacts (F) |
| 2A (AU) | 04,05,06 | AU-2 PMMM-7 L7A _{XX} * | AU-2 AFFM-7 L6A _{XX} * AU-2 BFFM-7 L7A _{XX} * AU-2 BFFM-7 R6A _{XX} * | AU-2 BFFA-7 L7001 |
| 5A (AD) | 02,03 | AD-2 PMMM-7 L7A _{XX} * | AD-2 AFFM-7 L6A _{XX} * AD-2 BFFM-7 L7A _{XX} * AD-2 BFFM-7 R6A _{XX} * | AD-2 BFFA-7 L7001 |

* XX: Choose the cable length from 01~99m

Standard Size: 5/8"-27 UNS > In-line

| <ul style="list-style-type: none"> • Male Connector (Housing) • Male Contacts • 2 Points Lock Bayonet | | Overmolded with Cable | Overmolded with Cable | Field Installable |
|--|--------------------------|--|--|---|
| Current Rating (Code) | Contacts 2 | Male Connector (M) Male Contacts (M) | Female Connector (F) Female Contacts (F) | Female Connector (F) Female Contacts (F) |
| 2A (BU) | 10, 12 | BU- 2 AMMM-LL6A ^{XX} * BU- 2 BMMM-LL7A ^{XX} * | BU- 2 AFFM-LL6A ^{XX} * BU- 2 AFFM-LR7A ^{XX} * BU- 2 BFFM-LL7A ^{XX} * BU- 2 BFFM-LR6A ^{XX} * | BU- 2 BFFA-LL7001 |
| 5A (BD) | 02,03,04, 05,06,07,08 | BD- 2 AMMM-LL6A ^{XX} * BD- 2 BMMM-LL7A ^{XX} * | BD- 2 AFFM-LL6A ^{XX} * BD- 2 AFFM-LR7A ^{XX} * BD- 2 BFFM-LL7A ^{XX} * BD- 2 BFFM-LR6A ^{XX} * | BD- 2 BFFA-LL7001 |
| 10A (BB) | 02,03,04 | BB- 2 AMMM-LL6A ^{XX} * BB- 2 BMMM-LL7A ^{XX} * | BB- 2 AFFM-LL6A ^{XX} * BB- 2 AFFM-LR7A ^{XX} * BB- 2 BFFM-LL7A ^{XX} * BB- 2 BFFM-LR6A ^{XX} * | BB- 2 BFFA-LL7001 |

* XX: Choose the cable length from 01~99m

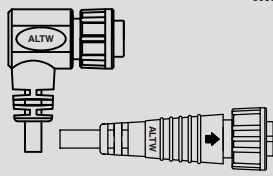
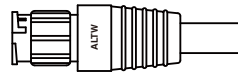
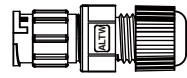
Standard Size: 5/8"-27 UNS > In-line

| <ul style="list-style-type: none"> • Male Connector (Housing) • Male Contacts • 2 Points Lock Bayonet | | Field Installable | Overmolded with Cable | Field Installable |
|--|--------------------------|---|--|---|
| Current Rating (Code) | Contacts 2 | Male Connector (M) Male Contacts (M) | Female Connector (F) Female Contacts (F) | Female Connector (F) Female Contacts (F) |
| 2A (BU) | 10, 12 | BU- 2 BMMA-LL7001 | BU- 2 AFFM-LL6A ^{XX} * BU- 2 AFFM-LR7A ^{XX} * BU- 2 BFFM-LL7A ^{XX} * BU- 2 BFFM-LR6A ^{XX} * | BU- 2 BFFA-LL7001 |
| 5A (BD) | 02,03,04, 05,06,07,08 | BD- 2 BMMA-LL7001 | BD- 2 AFFM-LL6A ^{XX} * BD- 2 AFFM-LR7A ^{XX} * BD- 2 BFFM-LL7A ^{XX} * BD- 2 BFFM-LR6A ^{XX} * | BD- 2 BFFA-LL7001 |
| 10A (BB) | 02,03,04 | BB- 2 BMMA-LL7001 | BB- 2 AFFM-LL6A ^{XX} * BB- 2 AFFM-LR7A ^{XX} * BB- 2 BFFM-LL7A ^{XX} * BB- 2 BFFM-LR6A ^{XX} * | BB- 2 BFFA-LL7001 |

[Note] Design and specification are subject to change without notice.

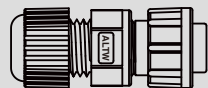

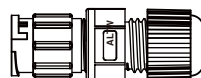
* XX: Choose the cable length from 01~99m

Standard Size: 5/8"-27 UNS > In-line

| <ul style="list-style-type: none"> Female Connector (Housing) Female Contacts 2 Points Lock Bayonet | | Overmolded with Cable  | Overmolded with Cable  | Field Installable  |
|--|--|--|--|---|
| Current Rating (Code) | Contacts 2 | Female Connector (F) Female Contacts (F) | Male Connector (M) Male Contacts (M) | Male Connector (M) Male Contacts (M) |
| 2A (BU) | 10, 12 | BU- 2 AFFM-LL6A ^{XX} * BU- 2 AFFM-LR7A ^{XX} * BU- 2 BFFM-LL7A ^{XX} * BU- 2 BFFM-LR6A ^{XX} * | BU- 2 AMMM-LL6A ^{XX} * BU- 2 BMMM-LL7A ^{XX} * | BU- 2 BMMA-LL7001 |
| 5A (BD) | 02,03,04, 05,06,07,08 | BD- 2 AFFM-LL6A ^{XX} * BD- 2 AFFM-LR7A ^{XX} * BD- 2 BFFM-LL7A ^{XX} * BD- 2 BFFM-LR6A ^{XX} * | BD- 2 AMMM-LL6A ^{XX} * BD- 2 BMMM-LL7A ^{XX} * | BD- 2 BMMA-LL7001 |
| 10A (BB) | 02,03,04 | BB- 2 AFFM-LL6A ^{XX} * BB- 2 AFFM-LR7A ^{XX} * BB- 2 BFFM-LL7A ^{XX} * BB- 2 BFFM-LR6A ^{XX} * | BB- 2 AMMM-LL6A ^{XX} * BB- 2 BMMM-LL7A ^{XX} * | BB- 2 BMMA-LL7001 |

* XX: Choose the cable length from 01~99m

Standard Size: 5/8"-27 UNS > In-line

| <ul style="list-style-type: none"> Female Connector (Housing) Female Contacts 2 Points Lock Bayonet | | Field Installable  | Overmolded with Cable  | Field Installable  |
|--|--|---|--|---|
| Current Rating (Code) | Contacts 2 | Female Connector (F) Female Contacts (F) | Male Connector (M) Male Contacts (M) | Male Connector (M) Male Contacts (M) |
| 2A (BU) | 10, 12 | BU- 2 BFFA-LL7001 | BU- 2 AMMM-LL6A ^{XX} * BU- 2 BMMM-LL7A ^{XX} * | BU- 2 BMMA-LL7001 |
| 5A (BD) | 02,03,04, 05,06,07,08 | BD- 2 BFFA-LL7001 | BD- 2 AMMM-LL6A ^{XX} * BD- 2 BMMM-LL7A ^{XX} * | BD- 2 BMMA-LL7001 |
| 10A (BB) | 02,03,04 | BB- 2 BFFA-LL7001 | BB- 2 AMMM-LL6A ^{XX} * BB- 2 BMMM-LL7A ^{XX} * | BB- 2 BMMA-LL7001 |

* XX: Choose the cable length from 01~99m

Standard Size: 5/8"-27 UNS > In-line

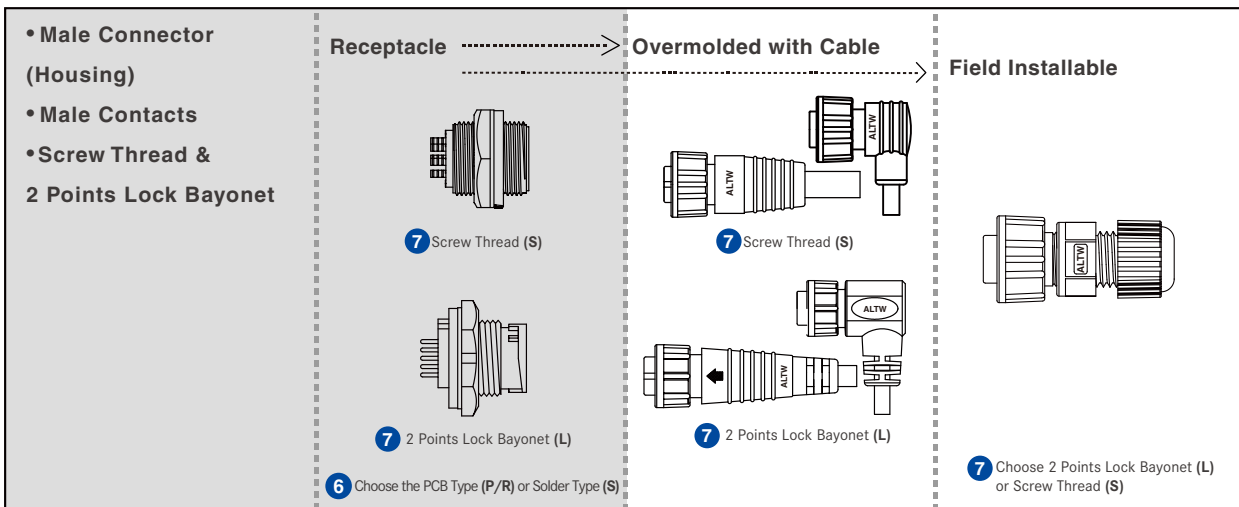
| <ul style="list-style-type: none"> Female Connector (Housing) Male Contacts 2 Points Lock Bayonet | | <p>Overmolded with Cable</p> | <p>Overmolded with Cable</p> | <p>Field Installable</p> |
|--|--------------------|--|--|---|
| Current Rating (Code) | Contacts 2 | Female Connector (F) Male Contacts (M) | Male Connector (M) Female Contacts (F) | Male Connector (M) Female Contacts (F) |
| 5A (BD) | 02,03,04, 05,06 | BD- 2 AFMM-LL6A _{XX} * BD- 2 AFMM-LR7A _{XX} * BD- 2 BFMM-LL7A _{XX} * BD- 2 BFMM-LR6A _{XX} * | BD- 2 AMFM-LL6A _{XX} * BD- 2 BMFM-LL7A _{XX} * | BD- 2 BMFA-LL7001 |
| 10A (BB) | 02,03 | BB- 2 AFMM-LL6A _{XX} * BB- 2 AFMM-LR7A _{XX} * BB- 2 BFMM-LL7A _{XX} * BB- 2 BFMM-LR6A _{XX} * | BB-02AMFM-LL6A _{XX} * BB-02BMFM-LL7A _{XX} * BB-03AMFM-LL6A _{XX} * BB-03BMFM-LL7A _{XX} * | BB-02BMFA-LL7001 BB-03BMFA-LL7001 |
| 5A+2A (BDU) | 08 (2+6) | BDU-08AFMM-LL6A _{XX} * BDU-08AFMM-LR7A _{XX} * BDU-08BFMM-LL7A _{XX} * | BDU-08AMFM-LL6A _{XX} * BDU-08BMFM-LL7A _{XX} * | BDU-08BMFA-LL7001 |
| 10A+5A (BBD) | 06 (2+4) | BBD- 2 AFMM-LL6A _{XX} * BBD- 2 AFMM-LR7A _{XX} * BBD- 2 BFMM-LL7A _{XX} * BBD- 2 BFMM-LR6A _{XX} * | BBD-06AMFM-LL6A _{XX} * BBD-06BMFM-LL7A _{XX} * | BBD-06BMFA-LL7001 |

【Note】 BDU-08AMFM-LL6A_{XX} and BDU-08BMFM-LL7A_{XX} are coming soon.

* _{XX}: Choose the cable length from 01~99m

【Note】 Design and specification are subject to change without notice.

Standard Size: 5/8"-27 UNS > Receptacle and Mating Pair



| Current Rating (Code) | Contacts 2 | Male Connector (M) Male Contacts (M) | Female Connector (F) Female Contacts (F) | Female Connector (F) Female Contacts (F) |
|-----------------------|--------------------------|---|--|---|
| 2A (BU) | 10, 12 | BU- 2 PMM 6 - 7 C7001 BU- 2 RMMS - 7 C7001 | BU- 2 AFFM- 7 L6A _{XX} * BU- 2 AFFM- 7 R7A _{XX} * BU- 2 BFFM- 7 L7A _{XX} * BU- 2 BFFM-LR6A _{XX} * | BU- 2 BFFA- 7 L7001 |
| 2A (BSU) *Metal | 10 | BSU- 2 PMM 6 -SC7001 BSU- 2 RMMS-SC7001 | BSU-10BFFM-SL7A _{XX} * BSU-10BFFM-SR6A _{XX} * | BSU-10BFFA-SL7001 |
| 5A (BD) | 02,03,04, 05,06,07,08 | BD- 2 PMM 6 - 7 C7001 BD- 2 RMMS - 7 C7001 BD- 2 RMM 6 -LC7001 | BD- 2 AFFM- 7 L6A _{XX} * BD- 2 AFFM- 7 R7A _{XX} * BD- 2 BFFM- 7 L7A _{XX} * BD- 2 BFFM- 7 R6A _{XX} * | BD- 2 BFFA- 7 L7001 |
| 5A (BSD) | 04,05,06, 07,08 | BSD- 2 PMM 6 -SC7001 BSD- 06RMMS-SC7001 BSD- 08RMMS-SC7001 | BSD- 2 BFFM-SL6A _{XX} * BSD- 2 BFFM-SR6A _{XX} * | - |
| 10A (BB) | 02,03,04 | BB- 2 PMM 6 - 7 C7001 BB- 2 RMMS- 7 C7001 BB- 2 RMM 6 -LC7001 | BB- 2 AFFM- 7 L6A _{XX} * BB- 2 AFFM- 7 R7A _{XX} * BB- 2 BFFM- 7 L7A _{XX} * BB- 2 BFFM- 7 R6A _{XX} * | BB- 2 BFFA- 7 L7001 |
| 10A (BSB) *Metal | 04 | BSB-04RMMS-SC7001 | BSB-04BFFM-SL7A _{XX} * | - |

* XX: Choose the cable length from 01~99m

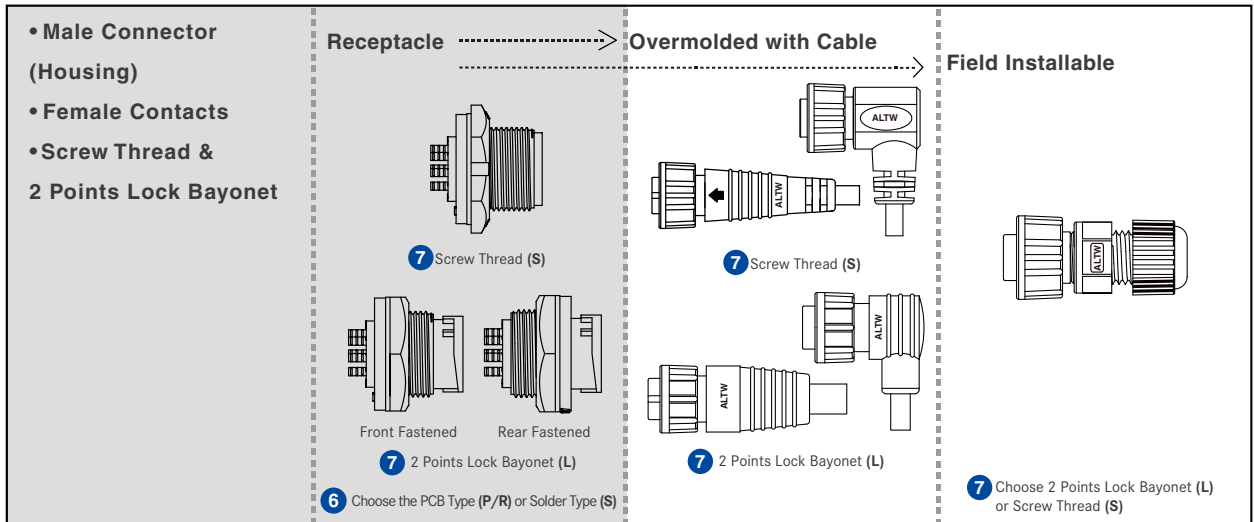
Standard Size: 5/8"-27 UNS > Receptacle with Overmolded Cable and Mating Pair

| <ul style="list-style-type: none"> • Male Connector (Housing) • Male Contacts • Screw Thread & 2 Points Lock Bayonet | | <p>Receptacle</p> <p>7 Screw Thread (S)</p> <p>7 2 Points Lock Bayonet (L)</p> | <p>Overmolded with Cable</p> <p>7 Screw Thread (S)</p> <p>7 2 Points Lock Bayonet (L)</p> | <p>Field Installable</p> <p>7 Choose 2 Points Lock Bayonet (L) or Screw Thread (S)</p> |
|---|--------------------------|--|--|--|
| Current Rating (Code) | Contacts 2 | Male Connector (M) Male Contacts (M) | Female Connector (F) Female Contacts (F) | Female Connector (F) Female Contacts (F) |
| 2A (BU) | 10, 12 | BU- 2 PMMM- 7 L7A _{XX} * | BU- 2 AFFM- 7 L6A _{XX} * BU- 2 AFFM- 7 R7A _{XX} * BU- 2 BFFM- 7 L7A _{XX} * | BU- 2 BFFA- 7 L7001 |
| 5A (BD) | 02,03,04, 05,06,07,08 | BD- 2 PMMM- 7 L7A _{XX} * | BD- 2 AFFM- 7 L6A _{XX} * BD- 2 AFFM- 7 R7A _{XX} * BD- 2 BFFM- 7 L7A _{XX} * BD- 2 BFFM- 7 R6A _{XX} * | BD- 2 BFFA- 7 L7001 |
| 10A (BB) | 02,03,04 | BB- 2 PMMM- 7 L7A _{XX} * | BB- 2 AFFM- 7 L6A _{XX} * BB- 2 AFFM- 7 R7A _{XX} * BB- 2 BFFM- 7 L7A _{XX} * BB- 2 BFFM- 7 R6A _{XX} * | BB- 2 BFFA- 7 L7001 |

* XX: Choose the cable length from 01-99m

【Note】 Design and specification are subject to change without notice.

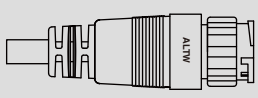
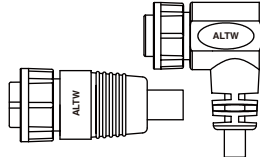
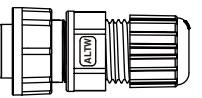
Standard Size: 5/8"-27 UNS > Receptacle and Mating Pair



| Current Rating (Code) | Contacts 2 | Male Connector (M) Female Contacts (F) | Female Connector (F) Male Contacts (M) | Female Connector (F) Male Contacts (M) |
|-----------------------|--------------------|--|--|---|
| 5A (BD) | 02,03,04, 05,06 | BD- 2 PMF 6 - 7 C7001 BD- 2 RMFS- 7 C7001 | BD- 2 AFMM- 7 L6AXX* BD- 2 AFMM- 7 R7AXX* BD- 2 BFMM- 7 L7AXX* BD- 2 BFMM- 7 R6AXX* | BD- 2 BFMA- 7 L7001 |
| 10A (BB) | 02,03 | BB- 2 PMF 6 - 7 C7001 BB- 2 RMFS- 7 C7001 | BB- 2 AFMM- 7 L6AXX* BB- 2 AFMM- 7 R7AXX* BB- 2 BFMM- 7 L7AXX* BB- 2 BFMM- 7 R6AXX* | BB- 2 BFMA- 7 L7001 |
| 5A+2A (BDU) | 08 (2+6) | BDU-08PMF 6 - 7 C7001 BDU-08RMFS- 7 C7001 | BDU-08AFMM- 7 L6AXX* BDU-08AFMM- 7 R7AXX* BDU-08BFMM- 7 L7AXX* | BDU-08BFMA- 7 L7001 |
| 10A+5A (BBD) | 06 (2+4) | BBD-06PMF 6 - 7 C7001 BBD-06RMFS- 7 C7001 | BBD- 06AFMM- 7 L6AXX* BBD- 06AFMM- 7 R7AXX* BBD- 06BFMM- 7 L7AXX* BBD- 06BFMM- 7 R6AXX* | BBD-06BFMA- 7 L7001 |

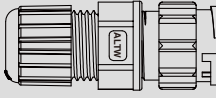
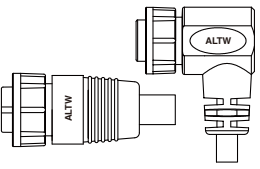
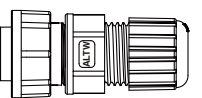
* XX: Choose the cable length from 01~99m

▾ Middle Size: 13/16"-28 UNS > In-line

| | | | | |
|--|-----------------------|--|--|--|
| <ul style="list-style-type: none"> • Male Connector (Housing) • Male Contacts • 2 Points Lock Bayonet | | <p>Overmolded with Cable →</p>  | <p>Overmolded with Cable →</p>  | <p>Field Installable</p>  |
| Current Rating (Code) | Contacts 2 | Male Connector (M) Male Contacts (M) | Female Connector (F) Female Contacts (F) | Female Connector (F) Female Contacts (F) |
| 5A (CD) | 07,08,09, 10,12,14 | CD- 2 AMMM-LL7A ^{XX} * CD- 2 BMMM-LL6A ^{XX} * | CD- 2 AFFM-LL7A ^{XX} * CD- 2 BFFM-LL6A ^{XX} * CD- 2 AFFM-LR7A ^{XX} * | CD- 2 BFFA-LL7001 |

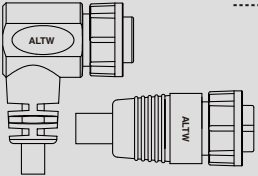
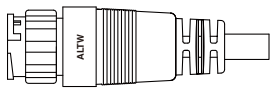
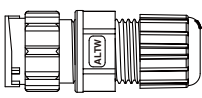
* XX: Choose the cable length from 01-99m

▾ Middle Size: 13/16"-28 UNS > In-line

| | | | | |
|--|-----------------------|---|--|---|
| <ul style="list-style-type: none"> • Male Connector (Housing) • Male Contacts • 2 Points Lock Bayonet | | <p>Field Installable →</p>  | <p>Overmolded with Cable →</p>  | <p>Field Installable</p>  |
| Current Rating (Code) | Contacts 2 | Male Connector (M) Male Contacts (M) | Female Connector (F) Female Contacts (F) | Female Connector (F) Female Contacts (F) |
| 5A (CD) | 07,08,09, 10,12,14 | CD- 2 BMMA-LL7001 | CD- 2 AFFM-LL7A ^{XX} * CD- 2 AFFM-LR7A ^{XX} * CD- 2 BFFM-LL6A ^{XX} * | CD- 2 BFFA-LL7001 |

* XX: Choose the cable length from 01-99m

▾ Middle Size: 13/16"-28 UNS > In-line

| | | | | |
|--|-----------------------|--|---|--|
| <ul style="list-style-type: none"> • Female Connector (Housing) • Female Contacts • 2 Points Lock Bayonet | | <p>Overmolded with Cable →</p>  | <p>Overmolded with Cable →</p>  | <p>Field Installable</p>  |
| Current Rating (Code) | Contacts 2 | Female Connector (F) Female Contacts (F) | Male Connector (M) Male Contacts (M) | Male Connector (M) Male Contacts (M) |
| 5A (CD) | 07,08,09, 10,12,14 | CD- 2 AFFM-LL7A ^{XX} * CD- 2 AFFM-LR7A ^{XX} * CD- 2 BFFM-LL6A ^{XX} * | CD- 2 AMMM-LL7A ^{XX} * CD- 2 BMMM-LL6A ^{XX} * | CD- 2 BMMA-LL7001 |

* XX: Choose the cable length from 01-99m

[Note] Design and specification are subject to change without notice.

∨ Middle Size: 13/16"-28 UNS > In-line

| | | | | |
|--|-----------------------|---|--|---|
| <ul style="list-style-type: none"> • Female Connector (Housing) • Female Contacts • 2 Points Lock Bayonet | | Field Installable | Overmolded with Cable | Field Installable |
| | | | | |
| Current Rating (Code) | Contacts 2 | Female Connector (F) Female Contacts (F) | Male Connector (M) Male Contacts (M) | Male Connector (M) Male Contacts (M) |
| 5A (CD) | 07,08,09, 10,12,14 | CD- 2 BFFA-LL7001 | CD- 2 AMMM-LL7A ^{XX} * CD- 2 BMMM-LL6A ^{XX} * | CD- 2 BMMA-LL7001 |

* XX: Choose the cable length from 01~99m

∨ Middle Size: 13/16"-28 UNS > In Line

| | | | | |
|--|-------------------|--|--|---|
| <ul style="list-style-type: none"> • Male Connector (Housing) • Female Contacts • 2 Points Lock Bayonet | | Overmolded with Cable | Overmolded with Cable | Field Installable |
| | | | | |
| Current Rating (Code) | Contacts 2 | Male Connector (M) Female Contacts (F) | Female Connector (F) Male Contacts (M) | Female Connector (F) Male Contacts (M) |
| 5A (CD) | 07,08,09 | CD- 2 AMFM-LL7A ^{XX} * CD- 2 BMFM-LL6A ^{XX} * | CD- 2 AFMM-LL7A ^{XX} * CD- 2 BFMM-LL6A ^{XX} * | CD- 2 BFMA-LL7001 |

* XX: Choose the cable length from 01~99m

∨ Middle Size: 13/16"-28 UNS > In Line

| | | | | |
|--|-------------------|--|--|---|
| <ul style="list-style-type: none"> • Female Connector (Housing) • Male Contacts • 2 Points Lock Bayonet | | Overmolded with Cable | Overmolded with Cable | Field Installable |
| | | | | |
| Current Rating (Code) | Contacts 2 | Female Connector (F) Male Contacts (M) | Male Connector (M) Female Contacts (F) | Male Connector (M) Female Contacts (F) |
| 5A (CD) | 07,08,09 | CD- 2 AFMM-LL7A ^{XX} * CD- 2 BFMM-LL6A ^{XX} * | CD- 2 AMFM-LL7A ^{XX} * CD- 2 BMFM-LL6A ^{XX} * | CD- 2 BMFA-LL7001 |

* XX: Choose the cable length from 01~99m

∨ Middle Size: 13/16"-28 UNS > Receptacle and Mating Pair

| <ul style="list-style-type: none"> • Male Connector (Housing) • Male Contacts • Screw Thread & 2 Points Lock Bayonet | | <p>Receptacle</p> <p>Front Fastened Rear Fastened</p> <p>7 Screw Thread (S)</p> <p>7 2 Points Lock Bayonet (L)</p> <p>6 Choose PCB (P/R) or Solder Type (S)</p> | <p>Overmolded with Cable</p> <p>7 Screw Thread (S)</p> <p>7 2 Points Lock Bayonet (L)</p> <p>** Select cable length from 01-99m</p> | <p>Field Installable</p> <p>7 Choose 2 Points Lock Bayonet (L) or Screw Thread (S)</p> |
|---|-----------------------|--|---|--|
| Current Rating (Code) | Contacts 2 | Male Connector (M) Male Contacts (M) | Female Connector (F) Female Contacts (F) | Female Connector (F) Female Contacts (F) |
| 2A (CU) | 18 | CU-18PMMP-7 C7001 CU-18PMMP-SC7002 | CU-18AFFM-7 L7AXX* CU-18BFFM-7 L6AXX* | CU-18BFFA-7 L7001 |
| 5A (CD) | 07,08,09, 10,12,14 | CD- 2 PMM 6 - 7 C7001 CD- 2 RMMS- 7 C7001 | CD- 2 AFFM- 7 L7AXX* CD- 2 BFFM- 7 L6AXX* CD- 2 AFFM-LR7AXX* | CD- 2 BFFA- 7 L7001 |
| 10A (CB) | 04,05,06 | CB- 2 PMM 6 - 7 C7001 CB- 2 RMMS- 7 C7001 | CB- 2 AFFM- 7 L7AXX* CB- 2 BFFM- 7 L6AXX* | CB- 2 BFFA- 7 L7001 |
| 10A+5A (CBD) | 08 (2+6) | CBD-08PMM 6 - 7 C7001 | CBD-08AFFM- 7 L7AXX* CBD-08BFFM- 7 L6AXX* | CBD-08BFFA- 7 L7001 |
| 20A (CC) | 03 | CC-03PMM 6 - 7 C7001 CC-03RMMS- 7 C7001 | CC-03AFFM- 7 L7AXX* CC-03BFFM- 7 L6AXX* | CC-03BFFA- 7 L7001 |

* XX: Choose the cable length from 01-99m

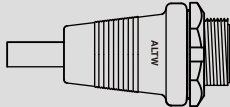
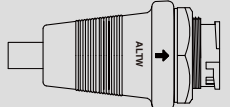
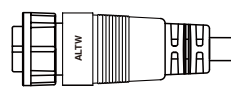
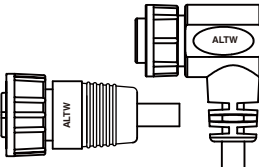
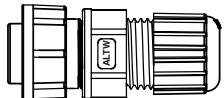
【Note】 Design and specification are subject to change without notice.

Middle Size: 13/16"-28 UNS

Receptacle with Overmolded Cable and Mating Pair
Screw Thread & 2 Points Lock Bayonet

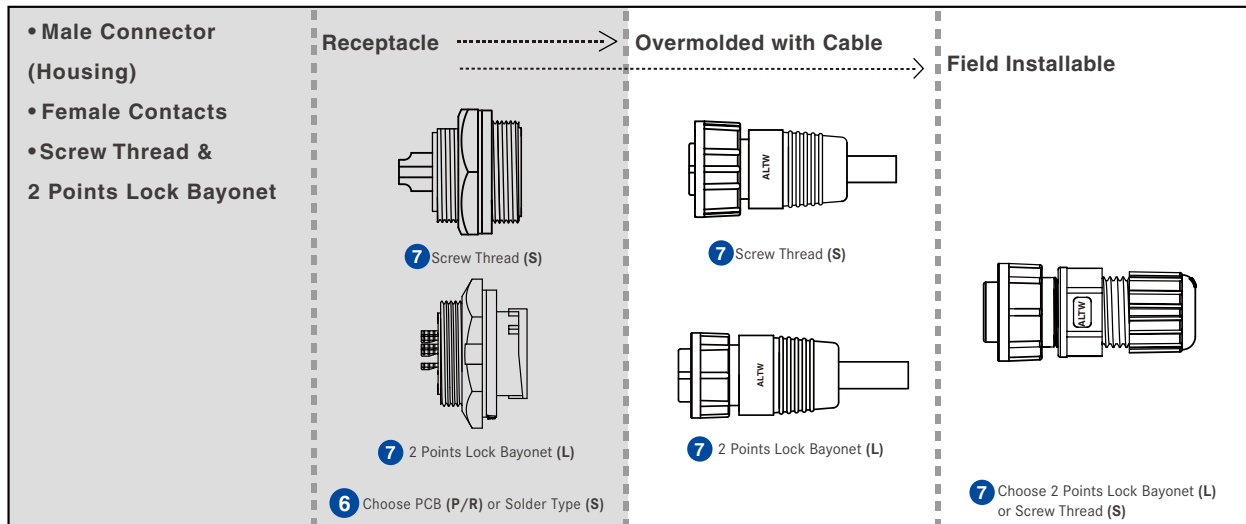
IP 66 ~ 68 9
Unmated or Mated

▾ Middle Size: 13/16"-28 UNS > Receptacle with Overmolded Cable and Mating Pair

| | | | | | |
|---|-------------------|--|---|---|--|
| <ul style="list-style-type: none"> • Male Connector (Housing) • Male Contacts • Screw Thread & 2 Points Lock Bayonet | | <p>Receptacle</p>  <p>7 Screw Thread (S)</p>  <p>7 2 Points Lock Bayonet (L)</p> | <p>Overmolded with Cable</p>  <p>7 Screw Thread (S)</p>  <p>7 2 Points Lock Bayonet (L)</p> | | <p>Field Installable</p>  <p>7 Choose 2 Points Lock Bayonet (L) or Screw Thread (S)</p> |
| | | <p>Male Connector (M) Male Contacts (M)</p> | <p>Female Connector (F) Female Contacts (F)</p> | <p>Female Connector (F) Female Contacts (F)</p> | |
| Current Rating (Code) | Contacts 2 | | | | |
| 5A (CD) | 07,08,09,10,12,14 | CD- 2 PMMM- 7 L7A ^{XX} * | CD- 2 AFFM- 7 L7A ^{XX} * CD- 2 BFFM- 7 L6A ^{XX} * CD- 2 AFFM-LR7A ^{XX} * | CD- 2 BFFA- 7 L7001 | |
| 10A (CB) | 04,05,06 | CB- 2 PMMM- 7 L7A ^{XX} * | CB- 2 AFFM- 7 L7A ^{XX} * CB- 2 BFFM- 7 L6A ^{XX} * | CB- 2 BFFA- 7 L7001 | |
| 20A (CC) | 03 | CC-03PMMM-SL7A ^{XX} * | CC-03AFFM-SL7A ^{XX} * CC-03BFFM-SL6A ^{XX} * | CC-03BFFA-SL7001 | |

* XX: Choose the cable length from 01~99m

∟ Middle Size: 13/16"-28 UNS > Receptacle and Mating Pair



| Current Rating (Code) | Contacts 2 | Male Connector (M) Female Contacts (F) | Female Connector (F) Male Contacts (M) | Female Connector (F) Male Contacts (M) |
|-----------------------|------------------------|--|--|---|
| 5A (CD) | 07,08,09 | CD- 2 PMF 6 - 7 C7001 CD- 2 RMFS- 7 C7001 | CD- 2 AFMM- 7 L7A ^{XX} * CD- 2 BFMM- 7 L6A ^{XX} * | CD- 2 BFMA- 7 L7001 |
| 5A+2A (CDU) | 12 (2+10) 14 (2+12) | CDU- 2 PMF 6 - 7 C7001 | CDU- 2 AFMM- 7 L7A ^{XX} * CDU- 2 BFMM- 7 L6A ^{XX} * CDU- 2 BFMM- 7 L7A ^{XX} * | CDU- 2 BFMA- 7 L7001 |
| 10A (CB) | 04,05 | CB- 2 PMF 6 - 7 C7001 CB- 2 RMFS- 7 C7001 | CB- 2 AFMM- 7 L7A ^{XX} * CB- 2 BFMM- 7 L6A ^{XX} * | CB- 2 BFMA- 7 L7001 |
| 10A+5A (CBD) | 08 (2+6) | CBD-08PMF 6 - 7 C7001 | CBD-08AFMM- 7 L7A ^{XX} * CBD-08BFMM- 7 L6A ^{XX} * | CBD-08BFMA- 7 L7001 |
| 20A (CC) | 02 | CC-02PMFS- LC7001 | CC-02AFMM- LL7A ^{XX} * | CC-02BFMA-LL7001 |

* XX: Choose the cable length from 01~99m

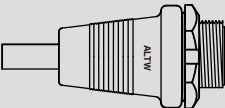
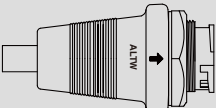
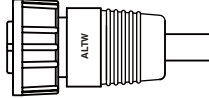
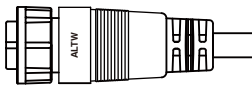
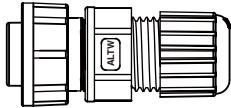
【Note】 Design and specification are subject to change without notice.

Middle Size: 13/16"-28 UNS

Receptacle with Overmolded Cable and Mating Pair
Screw Thread & 2 Points Lock Bayonet

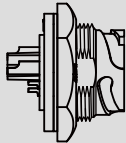
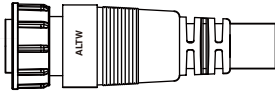
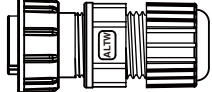
IP 66 ~ 68 9
Unmated or Mated

▾ Middle Size: 13/16"-28 UNS > Receptacle with Overmolded Cable and Mating Pair

| | | | | |
|---|------------|--|--|--|
| <ul style="list-style-type: none"> • Male Connector (Housing) • Female Contacts • Screw Thread & 2 Points Lock Bayonet | | <p>Receptacle</p>  <p>7 Screw Thread (S)</p>  <p>7 2 Points Lock Bayonet (L)</p> | <p>Overmolded with Cable</p>  <p>7 Screw Thread (S)</p>  <p>7 2 Points Lock Bayonet (L)</p> | <p>Field Installable</p>  <p>7 Choose 2 Points Lock Bayonet (L) or Screw Thread (S)</p> |
| | | <p>Male Connector (M) Female Contacts (F)</p> | <p>Female Connector (F) Male Contacts (M)</p> | <p>Female Connector (F) Male Contacts (M)</p> |
| Current Rating (Code) | Contacts 2 | | | |
| 5A (CD) | 07,08,09 | CD- 2 PMFM- 7 L7A XX * | CD- 2 AFMM- 7 L7A XX * CD- 2 BFMM- 7 L6A XX * | CD- 2 BFMA- 7 L7001 |
| 10A (CB) | 04,05 | CB- 2 PMFM- 7 L7A XX * | CB- 2 AFMM- 7 L7A XX * CB- 2 BFMM- 7 L6A XX * | CB- 2 BFMA- 7 L7001 |

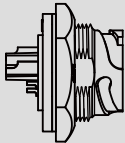
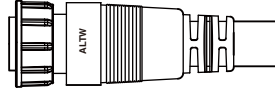
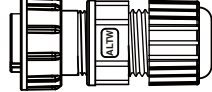
* XX: Choose the cable length from 01~99m

▾ Middle Size: 13/16"-28 UNS > Receptacle and Mating Pair

| <ul style="list-style-type: none"> • Male Connector (Housing) • Female Power+Male Signal • 3 Points Lock Bayonet | | <p>Receptacle</p>  | <p>Overmolded with Cable</p>  | <p>Field Installable</p>  |
|---|----------|---|---|--|
| Current Rating (Code) | Contacts | Male Connector (M) Female Power+Male Signal (D) | Female Connector (F) Male Power+Female Signal (E) | Female Connector (F) Male Power+Female Signal (E) |
| 10A+2A (CBU) | (3+5) | CBU-08PMDS-TC7001 | CBU-08AFEM-TL7A ^{XX} * | CBU-08BFEA-TL7001 |

* XX: Choose the cable length from 01~99m

▾ Middle Size: 13/16"-28 UNS > Receptacle and Mating Pair

| <ul style="list-style-type: none"> • Male Connector (Housing) • Male Power+Female Signal • 3 Points Lock Bayonet | | <p>Receptacle</p>  | <p>Overmolded with Cable</p>  | <p>Field Installable</p>  |
|---|----------|--|---|--|
| Current Rating (Code) | Contacts | Male Connector (M) Male Power+Female Signal (E) | Female Connector (F) Female Power+Male Signal (D) | Female Connector (F) Female Power+Male Signal (D) |
| 10A+2A (CBU) | (3+5) | CBU-08PMES-TC7001 | CBU-08AFDM-TL7A ^{XX} * | CBU-08BFDA-TL7001 |

* XX: Choose the cable length from 01~99m

【Note】 Design and specification are subject to change without notice.

↘ Large Size: 1"-20 UNEF > In-line

| | | | | |
|--|----------|--|--|---|
| <ul style="list-style-type: none"> • Male Connector (Housing) • Male Contacts • 2 Points Lock Bayonet | | Overmolded with Cable → | Overmolded with Cable → | Field Installable |
| | | | | |
| Current Rating (Code) | Contacts | Male Connector (M) Male Contacts (M) | Female Connector (F) Female Contacts (F) | Female Connector (F) Female Contacts (F) |
| 5A (DD) | 18 | DD-18AMMM-LL7A ^{XX} * DD-18BMMM-LL6A ^{XX} * | DD-18AFFM-LL7A ^{XX} * DD-18AFFM-LR7A ^{XX} * DD-18BFFM-LL6A ^{XX} * | DD-18BFFA-LL7001 |

* XX: Choose the cable length from 01~99m

↘ Large Size: 1"-20 UNEF > In-line

| | | | | |
|--|----------|--|--|---|
| <ul style="list-style-type: none"> • Female Connector (Housing) • Female Contacts • 2 Points Lock Bayonet | | Overmolded with Cable → | Overmolded with Cable → | Field Installable |
| | | | | |
| Current Rating (Code) | Contacts | Female Connector (F) Female Contacts (F) | Male Connector (M) Male Contacts (M) | Male Connector (M) Male Contacts (M) |
| 5A (DD) | 18 | DD-18AFFM-LL7A ^{XX} * DD-18AFFM-LR7A ^{XX} * DD-18BFFM-LL6A ^{XX} * | DD-18AMMM-LL7A ^{XX} * DD-18BMMM-LL6A ^{XX} * | DD-18BMMA-LL7001 |

* XX: Choose the cable length from 01~99m

↘ Large Size: 1"-20 UNEF > In-line

| | | | | |
|--|----------|--|--|---|
| <ul style="list-style-type: none"> • Male Connector (Housing) • Female Contacts • 2 Points Lock Bayonet | | Overmolded with Cable → | Overmolded with Cable → | Field Installable |
| | | | | |
| Current Rating (Code) | Contacts | Male Connector (M) Female Contacts (F) | Female Connector (F) Male Contacts (M) | Female Connector (F) Male Contacts (M) |
| 5A (DD) | 18 | DD-18AMFM-LL7A ^{XX} * DD-18BMFM-LL6A ^{XX} * | DD-18AFMM-LL7A ^{XX} * DD-18BFMM-LL6A ^{XX} * | DD-18BFMA-LL7001 |

* XX: Choose the cable length from 01~99m

↘ Large Size: 1"-20 UNEF > In-line

| | | | | |
|--|----------|--|--|---|
| <ul style="list-style-type: none"> • Female Connector (Housing) • Male Contacts • 2 Points Lock Bayonet | | Overmolded with Cable | Overmolded with Cable | Field Installable |
| | | | | |
| Current Rating (Code) | Contacts | Female Connector (F) Male Contacts (M) | Male Connector (M) Female Contacts (F) | Male Connector (M) Female Contacts (F) |
| 5A (DD) | 18 | DD-18AFMM-LL7A ^{XX} * DD-18BFMM-LL6A ^{XX} * | DD-18AMFM-LL7A ^{XX} * DD-18BMFM-LL6A ^{XX} * | DD-18BMFA-LL7001 |

* XX: Choose the cable length from 01~99m

↘ Large Size: 1"-20 UNEF > In-line

| | | | | |
|---|----------|--|--|--|
| <ul style="list-style-type: none"> • Male Connector (Housing) • Female Power+Male Signal • 2 Points Lock Bayonet | | Overmolded with Cable | Overmolded with Cable | Field Installable |
| | | | | |
| Current Rating (Code) | Contacts | Male Connector (M) Female Power+Male Signal (D) | Female Connector (F) Male Power+Female Signal (E) | Female Connector (F) Male Power+Female Signal (E) |
| 20A+2A (DCU) | (3+5) | DCU-08AMDMD-LL7B ^{XX} * | DCU-08AFEM-LL7B ^{XX} * | DCU-08BFEM-LL7001 |
| 20A+5A (DCD) | (3+9) | DCD-12AMDMD-LL7A ^{XX} * | DCD-12AFEM-LL7A ^{XX} * DCD-12AFEM-LR7A ^{XX} * | DCD-12BFEM-LL7001 |

* XX: Choose the cable length from 01~99m

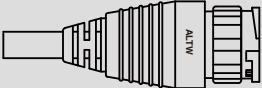
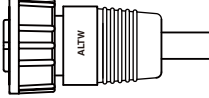
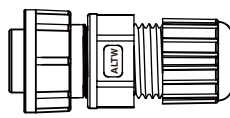
↘ Large Size: 1"-20 UNEF > In-line

| | | | | |
|---|----------|--|--|--|
| <ul style="list-style-type: none"> • Male Connector (Housing) • Female Power+Male Signal • 2 Points Lock Bayonet | | Field Installable | Overmolded with Cable | Field Installable |
| | | | | |
| Current Rating (Code) | Contacts | Male Connector (M) Female Power+Male Signal (D) | Female Connector (F) Male Power+Female Signal (E) | Female Connector (F) Male Power+Female Signal (E) |
| 20A+2A (DCU) | (3+5) | DCU-08BMDD-LL7001 | DCU-08AFEM-LL7B ^{XX} * | DCU-08BFEM-LL7001 |
| 20A+5A (DCD) | (3+9) | DCD-12BMDD-LL7001 | DCD-12AFEM-LL7A ^{XX} * DCD-12AFEM-LR7A ^{XX} * | DCD-12BFEM-LL7001 |

* XX: Choose the cable length from 01~99m


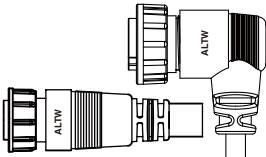
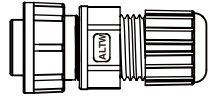
[Note] Design and specification are subject to change without notice.

Large Size: 1"-20 UNEF > In-line

| <ul style="list-style-type: none"> • Male Connector (Housing) • Male Power+Female Signal • 2 Points Lock Bayonet | | Overmolded with Cable | Overmolded with Cable | Field Installable |
|---|----------|---|---|---|
| | |  |  |  |
| Current Rating (Code) | Contacts | Male Connector (M) Male Power+Female Signal (E) | Female Connector (F) Female Power+Male Signal (D) | Female Connector (F) Female Power+Male Signal (D) |
| 20A+2A (DCU) | (3+5) | DCU-08AMEM-LL7BXX* | DCU-08AFDM-LL7BXX* | DCU-08BFDA-LL7001 |
| 20A+5A (DCD) | (3+9) | DCD-12AMEM-LL7AXX* | DCD-12AFDM-LL7AXX* DCD-12AFDM-LR7AXX* | DCD-12BFDA-LL7001 |

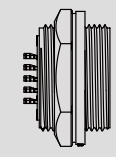
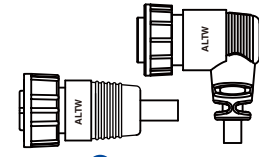
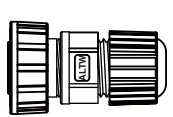
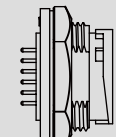
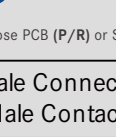
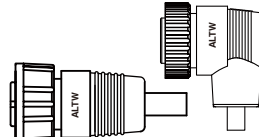
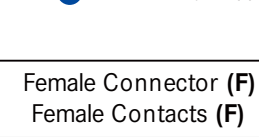

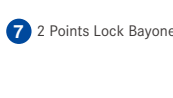
* XX: Choose the cable length from 01~99m

Large Size: 1"-20 UNEF > In-line

| <ul style="list-style-type: none"> • Male Connector (Housing) • Male Power+Female Signal • 2 Points Lock Bayonet | | Field Installable | Overmolded with Cable | Field Installable |
|---|----------|--|--|--|
| | |  |  |  |
| Current Rating (Code) | Contacts | Male Connector (M) Male Power+Female Signal (E) | Female Connector (F) Female Power+Male Signal (D) | Female Connector (F) Female Power+Male Signal (D) |
| 20A+2A (DCU) | (3+5) | DCU-08BMEA-LL7001 | DCU-08AFDM-LL7BXX* | DCU-08BFDA-LL7001 |
| 20A+5A (DCD) | (3+9) | DCD-12BMEA-LL7001 | DCD-12AFDM-LL7AXX* DCD-12AFDM-LR7AXX* | DCD-12BFDA-LL7001 |

* XX: Choose the cable length from 01~99m

Large Size: 1"-20 UNEF > Receptacle and Mating Pair

| <ul style="list-style-type: none"> • Male Connector (Housing) • Male Contacts • Screw Thread & 2 Points Lock Bayonet | | Receptacle  | Overmolded with Cable  | Field Installable  |
|---|-----------------------|---|--|--|
| | |  <p>7 Screw Thread (S)</p>  <p>7 2 Points Lock Bayonet (L)</p> <p>6 Choose PCB (P/R) or Solder Type (S)</p> |  <p>7 Screw Thread (S)</p>  <p>7 2 Points Lock Bayonet (L)</p> |  <p>7 Screw Thread (S)</p>  <p>7 2 Points Lock Bayonet (L)</p> |
| Current Rating (Code) | Contacts 2 | Male Connector (M) Male Contacts (M) | Female Connector (F) Female Contacts (F) | Female Connector (F) Female Contacts (F) |
| 2A (DU) | 20,21,22** | DU-2 PMM 6-7 C7001 | DU-2 AFFM-7 L7A ^{XX} * DU-2 BFFM-7 L6A ^{XX} * | DU-2 BFFA-SL7001 |
| 5A (DD) | 18 | DD-18PMM 6-7 C7001 DD-18RMMS-7 C7001 | DD-18AFFM-7 L7A ^{XX} * DD-18AFFM-7 R7A ^{XX} * DD-18BFFM-7 L6A ^{XX} * | DD-18BFFA-7 L7001 |
| 20A (DC) | 02,03,04, 05,06,07 | DC-2 PMM 6-7 C7001 DC-2 PMM 6-7 S7001 DC-2 RMMS-7 C7001 | DC-2 AFFM-7 L7A ^{XX} * DC-2 BFFM-7 L6A ^{XX} * | DC-2 BFFA-7 L7001 DC-02BFFB-7 L7001 |

* XX: Choose the cable length from 01~99m
 ** The specification of 22 contacts is upon request.

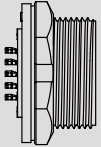
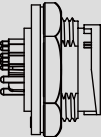
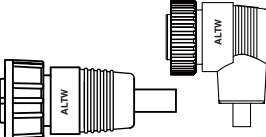
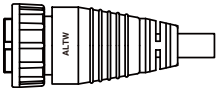

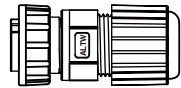
[Note] Design and specification are subject to change without notice.

Large Size: 1"-20 UNEF

Receptacle and Mating Pair
Screw Thread & 2 Points Lock Bayonet

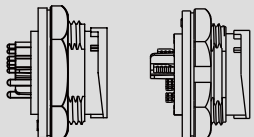
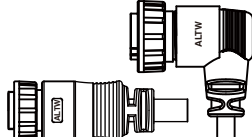
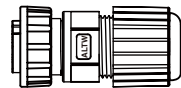
IP 66 ~ 68 9
Unmated or Mated

↘ **Large Size: 1"-20 UNEF > Receptacle and Mating Pair**

| | | | | |
|---|-------|---|---|---|
| <ul style="list-style-type: none"> • Male Connector (Housing) • Female Contacts • Screw Thread & 2 Points Lock Bayonet | | <p>Receptacle</p>  <p>7 Screw Thread (S)</p>  <p>7 2 Points Lock Bayonet (L)</p> <p>6 Choose PCB (P/R) or Solder Type (S)</p> | <p>Overmolded with Cable</p>  <p>7 Screw Thread (S)</p>  <p>7 2 Points Lock Bayonet (L)</p> | <p>Field Installable</p>  <p>7 Screw Thread (S)</p>  <p>7 2 Points Lock Bayonet (L)</p> |
| | | <p>Current Rating (Code)</p> <p>Contacts 2</p> | <p>Male Connector (M) Female Contacts (F)</p> | <p>Female Connector (F) Male Contacts (M)</p> |
| 5A (DD) | 18 | DD-18PMF 6 - 7 C7001 DD-18PMF 6 - 7 S7001 DD-18RMFS - 7 C7001 | DD-18AFMM-7 L7A _{XX} * DD-18BFMM-7 L6A _{XX} * | DD-18BFMA-7 L7001 |
| 5A (DSD) *Metal | 18 | DSD-18PMF 6 - SS8001 DSD-18PMF 6 - SS8002 | DSD-18BFMM-SL6A _{XX} * DSD-18BFMM-SR6A _{XX} * | - |
| 20A (DC) | 02,03 | DC-2 PMFP-7 C7001 | DC-2 AFMM-7 L7A _{XX} * DC-2 BFMM-7 L6A _{XX} * | DC-2 BFMB-7 L7001 |

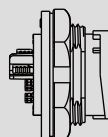
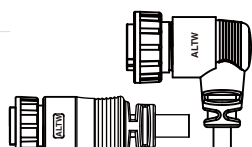
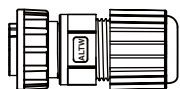
* XX: Choose the cable length from 01~99m

↘ Large Size: 1"-20UNEF > Receptacle and Mating Pair

| | | | | |
|---|----------|---|---|--|
| <ul style="list-style-type: none"> • Male Connector (Housing) • Female Power+Male Signal • 2 Points Lock Bayonet | | <p>Receptacle</p>  <p>PCB (P/R) Type Solder Type (S)</p> <p>6 Choose PCB (P/R) or Solder Type (S)</p> | <p>Overmolded with Cable</p>  | <p>Field Installable</p>  |
| Current Rating (Code) | Contacts | Male Connector (M) Female Power+Male Signal (D) | Female Connector (F) Male Power+Female Signal (E) | Female Connector (F) Male Power+Female Signal (E) |
| 20A+2A (DCU) | (3+5) | DCU-08PMDS-LC7001 | DCU-08AFEM-LL7BXX* | DCU-08BFEA-LL7001 |
| 20A+5A (DCD) | (3+9) | DCD-12PMD 6 -LC7001 | DCD-12AFEM-LL7AXX* DCD-12AFEM-LR7AXX* | DCD-12BFEA-LL7001 |

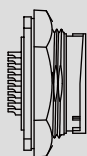
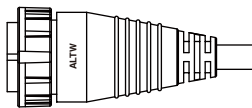
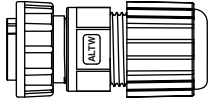
* XX: Choose the cable length from 01~99m

↘ Large Size: 1"-20 UNEF > Receptacle and Mating Pair

| | | | | |
|---|----------|--|---|---|
| <ul style="list-style-type: none"> • Male Connector (Housing) • Male Power+Female Signal • 2 Points Lock Bayonet | | <p>Receptacle</p>  | <p>Overmolded with Cable</p>  | <p>Field Installable</p>  |
| Current Rating (Code) | Contacts | Male Connector (M) Male Power+Female Signal (E) | Female Connector (F) Female Power+Male Signal (D) | Female Connector (F) Female Power+Male Signal (D) |
| 20A+2A (DCU) | (3+5) | DCU-08PMES-LC7001 | DCU-08AFDM-LL7BXX* | DCU-08BFDA-LL7001 |
| 20A+5A (DCD) | (3+9) | DCD-12PMES-LC7001 | DCD-12AFDM-LL7AXX* DCD-12AFDM-LR7AXX* | DCD-12BFDA-LL7001 |

* XX: Choose the cable length from 01~99m

↘ Macro Size: 1 3/16"-20 UNS > Receptacle and Mating pair

| | | | | |
|--|----------|--|---|--|
| <ul style="list-style-type: none"> • Male Connector (Housing) • Female Contacts • 2 Points Lock Bayonet | | <p>Receptacle</p>  <p>6 Choose PCB (P) or Solder Type (S)</p> | <p>Overmolded with Cable</p>  | <p>Field Installable</p>  |
| Current Rating (Code) | Contacts | Male Connector (M) Female Contacts (F) | Female Connector (F) Male Contacts (M) | Female Connector (F) Male Contacts (M) |
| 5A (ED) | 31 | ED-31PMF 6 -LS7001 | ED-31AFMM-LL7AXX* | - |

* XX: Choose the cable length from 01~99m

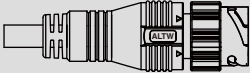
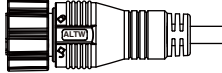
[Note] Design and specification are subject to change without notice.

Other Size

In-line
2 & 3 Points Lock Bayonet



IP 66 ~ 68 9
Unmated or Mated

∟ **Other Size > In-line**

| <ul style="list-style-type: none"> • Male Connector (Housing) • Female Power+Male Signal • 3 Points Lock Bayonet | | Receptacle  | Overmolded with Cable  | Field Installable |
|---|----------|--|---|---|
| Current Rating (Code) | Contacts | Male Connector (M) Male Contacts (M) | Female Connector (F) Female Contacts (F) | Female Connector (F) Female Contacts (F) |
| 5A (GBD) | 08 | GBD-08AMMM-TL8A ^{XX} * GBD-08BMMM-TL7A ^{XX} * | GBD-08AFFM-TL8A ^{XX} * GBD-08BFFM-TL7A ^{XX} * | - |

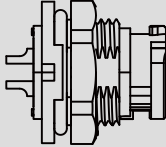
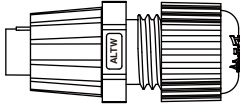
* XX: Choose the cable length from 01~99m

∟ **Other Size > In-line**

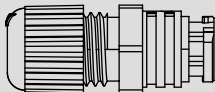
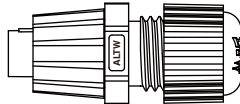
| <ul style="list-style-type: none"> • Male Connector (Housing) • Female Power+Male Signal • 2 Points Lock Bayonet | | Receptacle  | Overmolded with Cable  | Field Installable |
|---|----------|--|---|---|
| Current Rating (Code) | Contacts | Male Connector (M) Female Contacts (F) | Female Connector (F) Male Contacts (M) | Female Connector (F) Male Contacts (M) |
| 10A (MAB) | 04 | MAB-04AMFM-LL7A ^{XX} * MAB-04BMFM-LL6A ^{XX} * | MAB-04AFMM-LL7A ^{XX} * MAB-04BFMM-LL6A ^{XX} * | - |

* XX: Choose the cable length from 01~99m

Other Size > Receptacle and Mating Pair

| | | | | |
|--|-------------------|--|---|---|
| <ul style="list-style-type: none"> • Male Connector (Housing) • Female Contacts • Push Lock | | Receptacle  | Field Installable  | Field Installable |
| Current Rating (Code) | Contacts 2 | Male Connector (M) Female Contacts (F) | Female Connector (F) Male Contacts (M) | Female Connector (F) Male Contacts (M) |
| 5A (PLD) | 02,03,04 | PLD- 2 PMFS-QC7001 | PLD- 2 BFMA-QL7001 | - |

Other Size > In-line

| | | | | |
|--|-------------------|--|--|---|
| <ul style="list-style-type: none"> • Male Connector (Housing) • Female Contacts • Push Lock | | Field Installable  | Field Installable  | Field Installable |
| Current Rating (Code) | Contacts 2 | Male Connector (M) Female Contacts (F) | Female Connector (F) Male Contacts (M) | Female Connector (F) Male Contacts (M) |
| 5A (PLD) | 02,03,04 | PLD- 2 BMFA-QL7001 | PLD- 2 BFMA-QL7001 | - |

【Note】 Design and specification are subject to change without notice.

Amphenol LTW Technology Co., Ltd. (Headquarter)

9F., No.657-12, Zhongzheng Rd., Xinzhuang Dist., New Taipei City 242, Taiwan
Telephone: +886-2-29085626 Fax: +886-2-29029787
www.amphenolltw.com

Shulin plant, Taiwan

No.10, Shutan St., Shulin Dist., New Taipei City 238, Taiwan

Kunshan plant, China

No. 62 Da Tung Road, Peng Lang Street, Kunshan City , Jiangsu Province, China
Telephone: +86-512-5761-0501
Fax: : +86-512-5761-0515

For further information, please contact :

Sales & Marketing Department | Email : sales@ltw-tech.com



Scan to visit our website

Компания «Океан Электроники» предлагает заключение долгосрочных отношений при поставках импортных электронных компонентов на взаимовыгодных условиях!

Наши преимущества:

- Поставка оригинальных импортных электронных компонентов напрямую с производств Америки, Европы и Азии, а так же с крупнейших складов мира;
- Широкая линейка поставок активных и пассивных импортных электронных компонентов (более 30 млн. наименований);
- Поставка сложных, дефицитных, либо снятых с производства позиций;
- Оперативные сроки поставки под заказ (от 5 рабочих дней);
- Экспресс доставка в любую точку России;
- Помощь Конструкторского Отдела и консультации квалифицированных инженеров;
- Техническая поддержка проекта, помощь в подборе аналогов, поставка прототипов;
- Поставка электронных компонентов под контролем ВП;
- Система менеджмента качества сертифицирована по Международному стандарту ISO 9001;
- При необходимости вся продукция военного и аэрокосмического назначения проходит испытания и сертификацию в лаборатории (по согласованию с заказчиком);
- Поставка специализированных компонентов военного и аэрокосмического уровня качества (Xilinx, Altera, Analog Devices, Intersil, Interpoint, Microsemi, Actel, Aeroflex, Peregrine, VPT, Syfer, Eurofarad, Texas Instruments, MS Kennedy, Miteq, Cobham, E2V, MA-COM, Hittite, Mini-Circuits, General Dynamics и др.);

Компания «Океан Электроники» является официальным дистрибьютором и эксклюзивным представителем в России одного из крупнейших производителей разъемов военного и аэрокосмического назначения «JONHON», а так же официальным дистрибьютором и эксклюзивным представителем в России производителя высокотехнологичных и надежных решений для передачи СВЧ сигналов «FORSTAR».



JONHON

«JONHON» (основан в 1970 г.)

Разъемы специального, военного и аэрокосмического назначения:

(Применяются в военной, авиационной, аэрокосмической, морской, железнодорожной, горно- и нефтедобывающей отраслях промышленности)

«FORSTAR» (основан в 1998 г.)

ВЧ соединители, коаксиальные кабели, кабельные сборки и микроволновые компоненты:

(Применяются в телекоммуникациях гражданского и специального назначения, в средствах связи, РЛС, а так же военной, авиационной и аэрокосмической отраслях промышленности).



Телефон: 8 (812) 309-75-97 (многоканальный)

Факс: 8 (812) 320-03-32

Электронная почта: ocean@oceanchips.ru

Web: <http://oceanchips.ru/>

Адрес: 198099, г. Санкт-Петербург, ул. Калинина, д. 2, корп. 4, лит. А