

# Smart Card Interface

## General Description

The DS8023 smart card interface IC is a low-cost, low-power, analog front-end for a smart card reader designed for all ISO 7816, EMV\*, and GSM11-11 applications. The DS8023 supports 5V, 3V, and 1.8V smart cards, and provides an option for ultra-low stop-mode power consumption. The DS8023 is available in 28-pin TSSOP and SO packages, and can often be used as a replacement for the TDA8024 with little or no application changes.

The DS8023 is designed to interface between a system microcontroller and the smart card interface, providing all power supply, protection, and level shifting required for IC card applications.

## Applications

Set-Top Box Conditional Access  
 Access Control  
 Banking Applications  
 POS Terminals  
 Debit/Credit Payment Terminals  
 PIN Pads  
 Automated Teller Machines  
 Telecommunications  
 Pay/Premium Television

## Ordering Information

PART	TEMP RANGE	PIN-PACKAGE
DS8023-RJX+	-40°C to +85°C	28 TSSOP
DS8023-RRX+	-40°C to +85°C	28 SO

**Note:** Contact the factory for availability of other variants and package options.

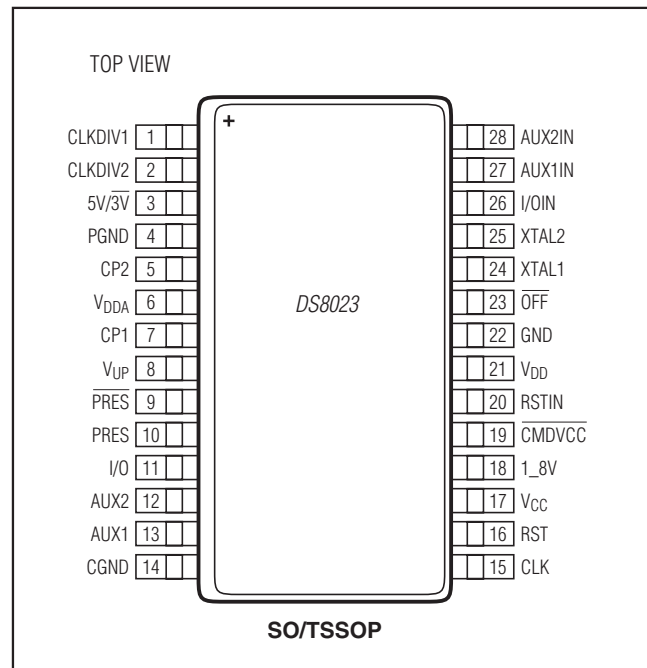
+Denotes a lead(Pb)-free/RoHS-compliant package.

**Selector Guide appears at end of data sheet.**

## Features

- ◆ **Analog Interface and Level Shifting for IC Card Communication**
- ◆ **±8kV (min) ESD (IEC) Protection on Card Interface Pins**
- ◆ **Ultra-Low Stop-Mode Current, Less Than 10nA (typ)**
- ◆ **Internal IC Card-Supply Voltage Generation**
  - 5.0V ±5%, 80mA (max)
  - 3.0V ±8%, 65mA (max)
  - 1.8V ±10%, 30mA (max)
- ◆ **Automatic Card Activation and Deactivation Controlled by Dedicated Internal Sequencer**
- ◆ **I/O Lines from Host Directly Level Shifted for Smart Card Communication**
- ◆ **Flexible Card Clock Generation, Supporting External Crystal Frequency Divided by 1, 2, 4, or 8**
- ◆ **High-Current/Short-Circuit and High-Temperature Protection**

## Pin Configuration



\*EMV is a trademark owned by EMVCo LLC. EMV Level 1 library and hardware reference design available. Contact factory for details.

**Note:** Some revisions of this device may incorporate deviations from published specifications known as errata. Multiple revisions of any device may be simultaneously available through various sales channels. For information about device errata, go to: [www.maximintegrated.com/errata](http://www.maximintegrated.com/errata).

**For pricing, delivery, and ordering information, please contact Maxim Direct at 1-888-629-4642, or visit Maxim's website at [www.maximintegrated.com](http://www.maximintegrated.com).**

# DS8023

## Smart Card Interface

### ABSOLUTE MAXIMUM RATINGS

Voltage Range on V<sub>DD</sub> Relative to GND .....-0.5V to +6.5V  
 Voltage Range on V<sub>D</sub>DA Relative to PGND .....-0.5V to +6.5V  
 Voltage Range on CP1, CP2, and V<sub>UP</sub>  
 Relative to PGND.....-0.5V to +7.5V  
 Voltage Range on All Other Pins  
 Relative to GND.....-0.5V to (V<sub>DD</sub> + 0.5V)

Maximum Junction Temperature .....+125°C  
 Maximum Power Dissipation (T<sub>A</sub> = -40°C to +85°C) .....700mW  
 Storage Temperature Range .....-55°C to +150°C  
 Soldering Temperature.....Refer to the IPC/JEDEC J-STD-020 Specification.

*Stresses beyond those listed under "Absolute Maximum Ratings" may cause permanent damage to the device. These are stress ratings only, and functional operation of the device at these or any other conditions beyond those indicated in the operational sections of the specifications is not implied. Exposure to absolute maximum rating conditions for extended periods may affect device reliability.*

### RECOMMENDED DC OPERATING CONDITIONS

(V<sub>DD</sub> = +3.3V, V<sub>D</sub>DA = +5.0V, T<sub>A</sub> = +25°C, unless otherwise noted.) (Note 1)

PARAMETER	SYMBOL	CONDITIONS	MIN	TYP	MAX	UNITS
<b>POWER SUPPLY</b>						
Digital Supply Voltage	V <sub>DD</sub>		2.7		6.0	V
Card-Voltage-Generator Supply Voltage	V <sub>D</sub> DA	V <sub>CC</sub> = 5V,  I <sub>CC</sub>   < 80mA	4.0		6.0	V
		V <sub>CC</sub> = 5V,  I <sub>CC</sub>   < 30mA	3.0		6.0	V
Reset Voltage Thresholds	V <sub>TH2</sub>	Threshold voltage (falling)	2.30	2.45	2.60	V
	V <sub>HYS2</sub>	Hysteresis	50	100	150	mV
<b>CURRENT CONSUMPTION</b>						
Active V <sub>DD</sub> Current 5V Cards (Including 80mA Draw from 5V Card)	I <sub>DD_50V</sub>	I <sub>CC</sub> = 80mA, f <sub>X</sub> TAL = 20MHz, f <sub>CLK</sub> = 10MHz, V <sub>D</sub> DA = 5.0V			215	mA
Active V <sub>DD</sub> Current 5V Cards (Current Consumed by DS8023 Only)	I <sub>DD_IC</sub>	I <sub>CC</sub> = 80mA, f <sub>X</sub> TAL = 20MHz, f <sub>CLK</sub> = 10MHz, V <sub>D</sub> DA = 5.0V (Note 2)			135	mA
Active V <sub>DD</sub> Current 3V Cards (Including 65mA Draw from 3V Card)	I <sub>DD_30V</sub>	I <sub>CC</sub> = 65mA, f <sub>X</sub> TAL = 20MHz, f <sub>CLK</sub> = 10MHz, V <sub>D</sub> DA = 5.0V			100	mA
Active V <sub>DD</sub> Current 3V Cards (Current Consumed by DS8023 Only)	I <sub>DD_IC</sub>	I <sub>CC</sub> = 65mA, f <sub>X</sub> TAL = 20MHz, f <sub>CLK</sub> = 10MHz, V <sub>D</sub> DA = 5.0V (Note 2)			35	mA
Active V <sub>DD</sub> Current 1.8V Cards (Including 30mA Draw from 1.8V Card)	I <sub>DD_18V</sub>	I <sub>CC</sub> = 30mA, f <sub>X</sub> TAL = 20MHz, f <sub>CLK</sub> = 10MHz, V <sub>D</sub> DA = 5.0V			70	mA
Active V <sub>DD</sub> Current 1.8V Cards (Current Consumed by DS8023 Only)	I <sub>DD_IC</sub>	I <sub>CC</sub> = 30mA, f <sub>X</sub> TAL = 20MHz, f <sub>CLK</sub> = 10MHz, V <sub>D</sub> DA = 5.0V (Note 2)			35	mA
Inactive-Mode Current	I <sub>DD</sub>	Card inactive			500	µA
Stop-Mode Current	I <sub>DD_STOP</sub>	DS8023 in ultra-low-power stop mode (Note 3)		10		nA
<b>CLOCK SOURCE</b>						
Crystal Frequency	f <sub>X</sub> TAL	External crystal	0		20	MHz
XTAL1 Operating Conditions	f <sub>X</sub> TAL1		0		20	MHz
	V <sub>IL_X</sub> TAL1		-0.3		0.3 x V <sub>DD</sub>	V
	V <sub>IH_X</sub> TAL1		0.7 x V <sub>DD</sub>		V <sub>DD</sub> + 0.3	V
External Capacitance for Crystal	C <sub>X</sub> TAL1, C <sub>X</sub> TAL2				15	pF
Internal Oscillator	f <sub>INT</sub>			2.7		MHz

# DS8023

## Smart Card Interface

### RECOMMENDED DC OPERATING CONDITIONS (continued)

(V<sub>DD</sub> = +3.3V, V<sub>DDA</sub> = +5.0V, T<sub>A</sub> = +25°C, unless otherwise noted.) (Note 1)

PARAMETER		SYMBOL	CONDITIONS	MIN	TYP	MAX	UNITS
<b>SHUTDOWN TEMPERATURE</b>							
Shutdown Temperature		T <sub>SD</sub>			+150		°C
<b>RST PIN</b>							
Card-Inactive Mode	Output Low Voltage	V <sub>OL_RST1</sub>	I <sub>OL_RST</sub> = 1mA	0		0.3	V
	Output Current	I <sub>OL_RST1</sub>	V <sub>O_LRST</sub> = 0V	0		-1	mA
Card-Active Mode	Output Low Voltage	V <sub>OL_RST2</sub>	I <sub>OL_RST</sub> = 200µA	0		0.3	V
	Output High Voltage	V <sub>OH_RST2</sub>	I <sub>OH_RST</sub> = -200µA	V <sub>CC</sub> - 0.5		V <sub>CC</sub>	V
	Rise Time	t <sub>R_RST</sub>	C <sub>L</sub> = 30pF			0.1	µs
	Fall Time	t <sub>F_RST</sub>	C <sub>L</sub> = 30pF			0.1	µs
	Shutdown Current Threshold	I <sub>RST(SD)</sub>			-20		mA
	Current Limitation	I <sub>RST(LIMIT)</sub>		-20		+20	mA
	RSTIN to RST Delay	t <sub>D(RSTIN-RST)</sub>				2	µs
<b>CLK PIN</b>							
Card-Inactive Mode	Output Low Voltage	V <sub>OL_CLK1</sub>	I <sub>OLCLK</sub> = 1mA	0		0.3	V
	Output Current	I <sub>OL_CLK1</sub>	V <sub>OLCLK</sub> = 0V	0		-1	mA
Card-Active Mode	Output Low Voltage	V <sub>OL_CLK2</sub>	I <sub>OLCLK</sub> = 200µA	0		0.3	V
	Output High Voltage	V <sub>OH_CLK2</sub>	I <sub>OHCLK</sub> = -200µA	V <sub>CC</sub> - 0.5		V <sub>CC</sub>	V
	Rise Time	t <sub>R_CLK</sub>	C <sub>L</sub> = 30pF (Note 4)			8	ns
	Fall Time	t <sub>F_CLK</sub>	C <sub>L</sub> = 30pF (Note 4)			8	ns
	Current Limitation	I <sub>CLK(LIMIT)</sub>		-70		+70	mA
	Clock Frequency	f <sub>CLK</sub>	Operational	0		10	MHz
	Duty Factor	δ	C <sub>L</sub> = 30pF	45		55	%
	Slew Rate	SR	C <sub>L</sub> = 30pF	0.2			V/ns
<b>VCC PIN</b>							
Card-Inactive Mode	Output Low Voltage	V <sub>CC1</sub>	I <sub>CC</sub> = 1mA	0		0.3	V
	Output Current	I <sub>CC1</sub>	V <sub>CC</sub> = 0V	0		-1	mA
Card-Active Mode	Output Low Voltage	V <sub>CC2</sub>	I <sub>CC(5v)</sub> < 80mA	4.75	5.00	5.25	V
			I <sub>CC(3v)</sub> < 65mA	2.78	3.00	3.22	
			I <sub>CC(1.8v)</sub> < 30mA	1.65	1.8	1.95	
			5V card: current pulses of 40nC with I < 200mA, t < 400ns, f < 20MHz	4.6		5.4	
			3V card: current pulses of 24nC with I < 200mA, t < 400ns, f < 20MHz	2.75		3.25	
			1.8V card: current pulses of 12nC with I < 200mA, t < 400ns, f < 20MHz	1.62		1.98	

# DS8023

## Smart Card Interface

### RECOMMENDED DC OPERATING CONDITIONS (continued)

( $V_{DD} = +3.3V$ ,  $V_{DDA} = +5.0V$ ,  $T_A = +25^\circ C$ , unless otherwise noted.) (Note 1)

PARAMETER		SYMBOL	CONDITIONS	MIN	TYP	MAX	UNITS
Card-Active Mode	Output Current	$I_{CC2}$	$V_{CC(5V)} = 0$ to $5V$			-80	mA
			$V_{CC(3V)} = 0$ to $3V$			-65	
			$V_{CC(1.8V)} = 0$ to $1.8V$			-30	
	Shutdown Current Threshold	$I_{CC(SD)}$			120		mA
Slew Rate	$V_{CCSR}$	Up/down, $C < 300nF$ (Note 5)	0.05	0.16	0.22		V/ $\mu s$
<b>DATA LINES (I/O AND I/OIN)</b>							
I/O $\leftrightarrow$ I/OIN Falling Edge Delay		$t_{D(I/O-I/OIN)}$				200	ns
Pullup Pulse Active Time		$t_{PU}$				100	ns
Maximum Frequency		$f_{IOMAX}$				1	MHz
Input Capacitance		$C_I$				10	pF
<b>I/O, AUX1, AUX2 PINS</b>							
Card-Inactive Mode	Output Low Voltage	$V_{OL\_IO1}$	$I_{OL\_IO} = 1mA$	0		0.3	V
	Output Current	$I_{OL\_IO1}$	$V_{OL\_IO} = 0V$	0		-1	mA
	Internal Pullup Resistor	$R_{PU\_IO}$	To $V_{CC}$	7	11	15	k $\Omega$
Card-Active Mode	Output Low Voltage	$V_{OL\_IO2}$	$I_{OL\_IO} = 1mA$	0		0.3	V
	Output High Voltage	$V_{OH\_IO2}$	$I_{OH\_IO} = < -40\mu A$ (3V/5V)	$0.75 \times V_{CC}$		$V_{CC}$	V
	Output Rise/Fall Time	$t_{OT}$	$C_L = 30pF$ (Note 3)			0.1	$\mu s$
	Input Low Voltage	$V_{IL\_IO}$		-0.3		+0.8	V
	Input High Voltage	$V_{IH\_IO}$		1.5		$V_{CC}$	
	Input Low Current	$I_{IL\_IO}$	$V_{IL\_IO} = 0V$			700	$\mu A$
	Input High Current	$I_{IH\_IO}$	$V_{IH\_IO} = V_{CC}$			20	$\mu A$
	Input Rise/Fall Time	$t_{IT}$				1.2	$\mu s$
	Current Limitation	$I_{IO(LIMIT)}$	$C_L = 30pF$	-15		+15	mA
Current When Pullup Active	$I_{PU}$	$C_L = 80pF$ , $V_{OH} = 0.9 \times V_{DD}$	-1			mA	
<b>I/OIN, AUX1IN, AUX2IN PINS</b>							
Output Low Voltage		$V_{OL}$	$I_{OL} = 1mA$	0		0.3	V
Output High Voltage	$V_{OH}$	No load		$0.9 \times V_{DD}$		$V_{DD} + 0.1$	V
		$I_{OH} < -40\mu A$		$0.75 \times V_{DD}$		$V_{DD} + 0.1$	
Output Rise/Fall Time		$t_{OT}$	$C_L = 30pF$ , 10% to 90%			0.1	$\mu s$
Input Low Voltage		$V_{IL}$		-0.3		$0.3 \times V_{DD}$	V
Input High Voltage		$V_{IH}$		$0.7 \times V_{DD}$		$V_{DD} + 0.3$	V

# DS8023

## Smart Card Interface

### RECOMMENDED DC OPERATING CONDITIONS (continued)

( $V_{DD} = +3.3V$ ,  $V_{DDA} = +5.0V$ ,  $T_A = +25^\circ C$ , unless otherwise noted.) (Note 1)

PARAMETER	SYMBOL	CONDITIONS	MIN	TYP	MAX	UNITS
Input Low Current	$I_{IL\_IO}$	$V_{IL} = 0V$			600	$\mu A$
Input High Current	$I_{IH\_IO}$	$V_{IH} = V_{DD}$			10	$\mu A$
Input Rise/Fall Time	$t_{IT}$	$V_{IL}$ to $V_{IH}$			1.2	$\mu s$
Integrated Pullup Resistor	$R_{PU}$	Pullup to $V_{DD}$	7	11	15	$k\Omega$
Current When Pullup Active	$I_{PU}$	$C_L = 30pF$ , $V_{OH} = 0.9 \times V_{DD}$	-1			$mA$
<b>CONTROL PINS (CLKDIV1, CLKDIV2, CMDVCC, RSTIN, 5V/3V)</b>						
Input Low Voltage	$V_{IL}$		-0.3		$0.3 \times V_{DD}$	V
Input High Voltage	$V_{IH}$		$0.7 \times V_{DD}$		$V_{DD} + 0.3$	V
Input Low Current	$I_{IL\_IO}$	$0 < V_{IL} < V_{DD}$			5	$\mu A$
Input High Current	$I_{IH\_IO}$	$0 < V_{IH} < V_{DD}$			5	$\mu A$
<b>INTERRUPT OUTPUT PIN (OFF)</b>						
Output Low Voltage	$V_{OL}$	$I_{OL} = 2mA$	0		0.3	V
Output High Voltage	$V_{OH}$	$I_{OH} = -15\mu A$	$0.75 \times V_{DD}$			V
Integrated Pullup Resistor	$R_{PU}$	Pullup to $V_{DD}$	15	24	33	$k\Omega$
<b>PRES, PRES PINS</b>						
Input Low Voltage	$V_{IL\_PRES}$				$0.3 \times V_{DD}$	V
Input High Voltage	$V_{IH\_PRES}$		$0.7 \times V_{DD}$			V
Input Low Current	$I_{IL\_PRES}$	$V_{IL\_PRES} = 0V$			5	$\mu A$
Input High Current	$I_{IH\_PRES}$	$V_{IH\_PRES} = V_{DD}$			5	$\mu A$
<b>TIMING</b>						
Activation Time	$t_{ACT}$			160		$\mu s$
Deactivation Time	$t_{DEACT}$			80		$\mu s$
CLK to Card Start Time	Window Start	$t_3$		95		$\mu s$
	Window End	$t_5$		160		
PRES/PRES Debounce Time	$t_{DEBOUNCE}$			8		ms

**Note 1:** Operation guaranteed at  $T_A = -40^\circ C$  and  $T_A = +85^\circ C$ , but not tested.

**Note 2:**  $I_{DD\_IC}$  measures the amount of current used by the DS8023 to provide the smart card current minus the load.

**Note 3:** Stop mode is enabled by setting CMDVCC, 5V/3V, and 1\_8V to logic-high.

**Note 4:** Parameters are guaranteed to meet all ISO 7816, GSM11-11, and EMV 2000 requirements. For the 1.8V card, the maximum rise time and fall time is 10ns.

**Note 5:** Parameter is guaranteed to meet all ISO 7816, GSM11-11, and EMV 2000 requirements. For the 1.8V card, the minimum slew rate is  $0.05V/\mu s$  and the maximum slew rate is  $0.5V/\mu s$ .

# DS8023

## Smart Card Interface

### Pin Description

PIN	NAME	FUNCTION
1, 2	CLKDIV1, CLKDIV2	Clock Divider. Determines the divided-down input clock frequency (presented at XTAL1 or from a crystal at XTAL1 and XTAL2) on the CLK output pin. Dividers of 1, 2, 4, and 8 are available.
3	5V/3V	5V/3V Selection Pin. Allows selection of 5V or 3V for communication with an IC card. Logic-high selects 5V operation; logic-low selects 3V operation. See Table 3 for a complete description of choosing card voltages.
4	PGND	Analog Ground
5, 7	CP2, CP1	Step-Up Converter Contact. Charge-pump capacitor. Connect a 100nF capacitor (ESR < 100m $\Omega$ ) between CP1 and CP2.
6	V <sub>DDA</sub>	Charge-Pump Supply. Must be equal to or higher than V <sub>DD</sub> . Connect a supply of at least 3.0V.
8	V <sub>UP</sub>	Charge-Pump Output. Connect a 100nF capacitor (ESR < 100m $\Omega$ ) between V <sub>UP</sub> and GND.
9	$\overline{\text{PRES}}$	Card Presence Indicator. Active-low card presence inputs. When the presence indicator becomes active, a debounce timeout begins. After 8ms (typ) the $\overline{\text{OFF}}$ signal becomes active.
10	PRES	Card Presence Indicator. Active-high card presence inputs. When the presence indicator becomes active, a debounce timeout begins. After 8ms (typ) the $\overline{\text{OFF}}$ signal becomes active.
11	I/O	Smart Card Data-Line Output. Card data communication line, contact C7.
12, 13	AUX2, AUX1	Smart Card Auxiliary Line (C4, C8) Output. Data line connected to card reader contacts C4 (AUX1) and C8 (AUX2).
14	CGND	Smart Card Ground
15	CLK	Smart Card Clock. Card clock, contact C3.
16	RST	Smart Card Reset. Card reset output from contact C2.
17	V <sub>CC</sub>	Smart Card Supply Voltage. Decouple to CGND (card ground) with 2 x 100nF or 100 + 220nF capacitors (ESR < 100m $\Omega$ ).
18	1_8V	1.8V Operation Selection. Active-high selection for 1.8V smart card communication. An active-high signal on this pin overrides any setting on the 5V/3V pin.
19	$\overline{\text{CMDVCC}}$	Activation Sequence Initiate. Active-low input from host.
20	RSTIN	Card Reset Input. Reset input from the host.
21	V <sub>DD</sub>	Supply Voltage
22	GND	Digital Ground
23	$\overline{\text{OFF}}$	Status Output. Active-low interrupt output to the host. Use a 20k $\Omega$ integrated pullup resistor to V <sub>DD</sub> .
24, 25	XTAL1, XTAL2	Crystal/Clock Input. Connect an input from an external clock to XTAL1 or connect a crystal across XTAL1 and XTAL2. For the low idle-mode current variant, an external clock must be driven on XTAL1.
26	I/OIN	I/O Input. Host-to-interface chip data I/O line.
27, 28	AUX1IN, AUX2IN	C4/C8 Input. Host-to-interface I/O line for auxiliary connections to C4 and C8.

# DS8023

## Smart Card Interface

### Detailed Description

The DS8023 is an analog front-end for communicating with 1.8V, 3V, and 5V smart cards. Using an integrated charge pump, the DS8023 can operate from a single input voltage. The device translates all communication lines to the correct voltage level and provides power for smart card operation. It can operate from a wide input voltage range (3.0V to 6.0V) and provides an extremely low-power stop mode, consuming only 10nA while in stop mode. The DS8023 is very compatible with the NXP TDA8024. Many applications can upgrade with very minor hardware changes, and only need to add support in software to activate the ultra-low-power stop

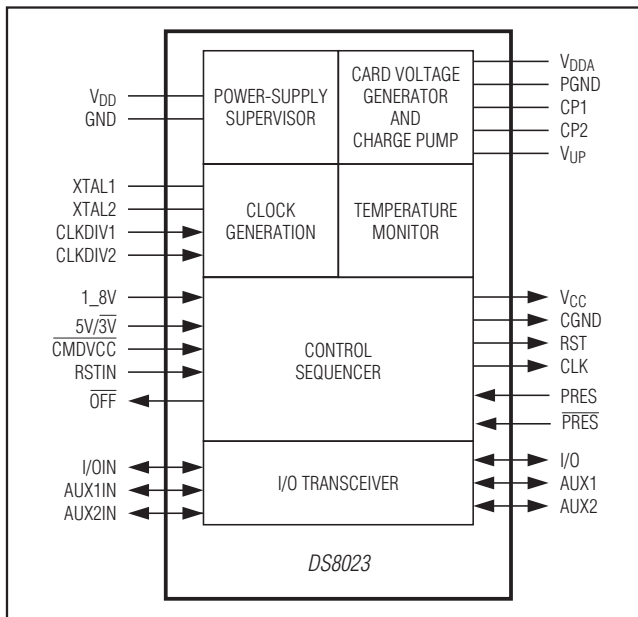


Figure 1. Functional Diagram

mode. (Note that the PORADJ pin is not present in the DS8023. It is replaced by the 1\_8V selection pin.)

### Power Supply

The DS8023 can operate from a single supply or a dual supply. The supply pins for the device are  $V_{DD}$ , GND,  $V_{DDA}$ , and PGND.  $V_{DD}$  should be in the 2.7V to 6.0V range, and is the supply for signals that interface with the host controller. It should, therefore, be the same supply as used by the host controller. All smart card contacts remain inactive during power on or power off. The internal circuits are kept in the reset state until  $V_{DD}$  reaches  $V_{TH2} + V_{HYS2}$  and for the duration of the internal power-on reset pulse,  $t_W$ . A deactivation sequence is executed when  $V_{DD}$  falls below  $V_{TH2}$ .

An internal charge pump and regulator generate the 3V or 5V card supply voltage ( $V_{CC}$ ). The charge pump and regulator are supplied by  $V_{DDA}$  and PGND.  $V_{DDA}$  should be connected to a minimum 3.0V (maximum 6.0V) supply and should be at a potential that is equal to or higher than  $V_{DD}$ .

The charge pump operates in a 1x (voltage follower) or 2x (voltage doubler) mode depending on the input  $V_{DDA}$  and the selected card voltage (5V or 3V).

- For 5V cards, the DS8023 operates in a 1x mode for  $V_{DDA} > 5.8V$  and in a 2x mode for  $V_{DDA} < 5.8V$ .
- For 3V cards, the DS8023 operates in a 1x mode for  $V_{DDA} > 4.1V$  and in a 2x mode for  $V_{DDA} < 4.1V$ .
- For 1.8V cards, the DS8023 operates in a 1x mode for  $V_{DDA} > 2.9V$  and in a 2x mode for  $V_{DDA} < 2.9V$ .

### Voltage Supervisor

The voltage supervisor monitors the  $V_{DD}$  supply. A 220 $\mu$ s reset pulse ( $t_W$ ) is used internally to keep the device inactive during power on or power off of the  $V_{DD}$  supply. See Figure 2.

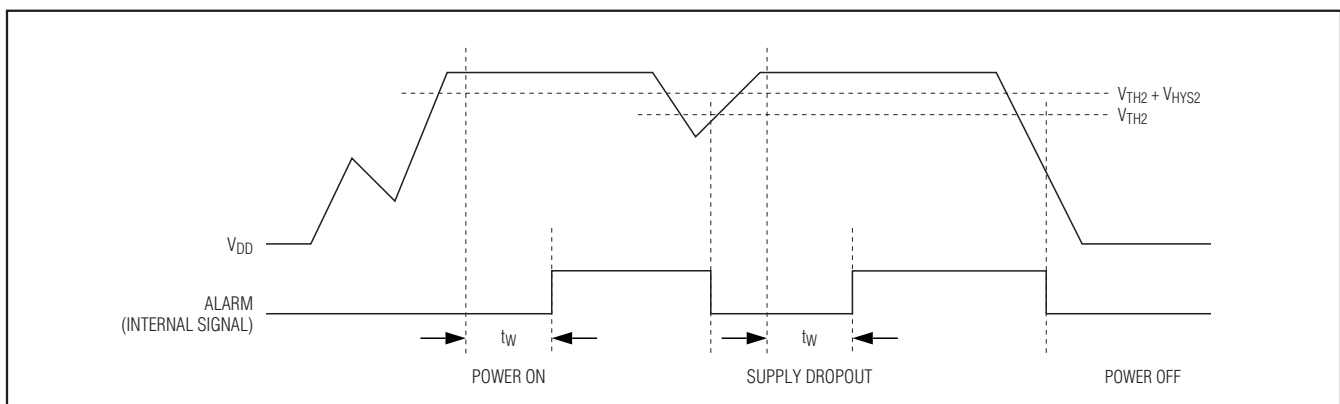


Figure 2. Voltage Supervisor Behavior

# DS8023

## Smart Card Interface

The DS8023 card interface remains inactive no matter the levels on the command lines until duration  $t_W$  after  $V_{DD}$  has reached a level higher than  $V_{TH2} + V_{HYS2}$ . When  $V_{DD}$  falls below  $V_{TH2}$ , the DS8023 executes a card deactivation sequence if its card interface is active.

### Clock Circuitry

The clock signal from the DS8023 to the smart card (CLK) is generated from the clock input on XTAL1 or from a crystal operating at up to 20MHz connected between pins XTAL1 and XTAL2. The inputs CLKDIV1 and CLKDIV2 determine the frequency of the CLK signal, which can be  $f_{XTAL}$ ,  $f_{XTAL}/2$ ,  $f_{XTAL}/4$ , or  $f_{XTAL}/8$ . Table 1 shows the relationship between CLKDIV1 and CLKDIV2 and the frequency of CLK.

Do not change the state of pins CLKDIV1 and CLKDIV2 simultaneously; a delay of 10ns minimum between changes is required. The minimum duration of any state of CLK is 8 periods of XTAL1.

The hardware in the DS8023 guarantees that the frequency change is synchronous. During a transition of the clock divider, no pulse is shorter than 45% of the smallest period, and the clock pulses before and after the instant of change have the correct width.

To achieve a 45% to 55% duty factor on pin CLK when no crystal is present, the input signal on XTAL1 should have a 48% to 52% duty factor. Transition time on XTAL1 should be less than 5% of the period.

With a crystal, the duty factor on pin CLK may be 45% to 55% depending on the circuit layout and on the crystal characteristics and frequency.

The DS8023 crystal oscillator runs when the device is powered up. If the crystal oscillator is used or the clock pulse on pin XTAL1 is permanent, the clock pulse is applied to the card at time  $t_4$  (see Figures 7 and 8). If the signal applied to XTAL1 is controlled by the host microcontroller, the clock pulse is applied to the card when it is sent by the system microcontroller (after completion of the activation sequence).

**Table 1. Clock Frequency Selection**

CLKDIV1	CLKDIV2	f <sub>CLK</sub>
0	0	$f_{XTAL}/8$
0	1	$f_{XTAL}/4$
1	1	$f_{XTAL}/2$
1	0	$f_{XTAL}$

### I/O Transceivers

The three data lines I/O, AUX1, and AUX2 are identical. This section describes the characteristics of I/O and I/OIN, but also applies to AUX1, AUX1IN, AUX2, and AUX2IN.

I/O and I/OIN are pulled high with an 11kΩ resistor (I/O to  $V_{CC}$  and I/OIN to  $V_{DD}$ ) in the inactive state. The first side of the transceiver to receive a falling edge becomes the master. When the master is decided, the opposite side switches to slave mode, ignoring subsequent edges until the master releases. After a time delay  $t_D(EDGE)$ , an n transistor on the slave side is turned on, thus transmitting the logic 0 present on the master side.

When the master side asserts a logic 1, a p transistor on the slave side is activated during the time delay,  $t_{PU}$ , and then both sides return to their inactive (pulled up) states. This active pullup provides fast low-to-high transitions. After the duration of  $t_{PU}$ , the output voltage depends only on the internal pullup resistor and the load current. Current to and from the card I/O lines is limited internally to 15mA. The maximum frequency on these lines is 1MHz.

### Inactive Mode

The DS8023 powers up with the card interface in the inactive mode. Minimal circuitry is active while waiting for the host to initiate a smart card session.

- All card contacts are inactive (approximately 200Ω to GND).
- Pins I/OIN, AUX1IN, and AUX2IN are in the high-impedance state (11kΩ pullup resistor to  $V_{DD}$ ).
- Voltage generators are stopped.
- XTAL oscillator is running (if included in the device).
- Voltage supervisor is active.
- The internal oscillator is running at its low frequency.

### Activation Sequence

After power-on and the reset delay, the host microcontroller can monitor card presence with signals  $\overline{OFF}$  and  $\overline{CMDVCC}$ , as shown in Table 2.

**Table 2. Card Presence Indication**

$\overline{OFF}$	$\overline{CMDVCC}$	STATUS
High	High	Card present.
Low	High	Card <b>not</b> present.



# DS8023

## Smart Card Interface

When a card is inserted into the reader (if PRES is active), the host microcontroller can begin an activation sequence (start a card session) by pulling  $\overline{\text{CMDVCC}}$  low. The following events form an activation sequence (Figure 3):

- 1) Host:  $\overline{\text{CMDVCC}}$  is pulled low.
- 2) DS8023: The internal oscillator changes to high frequency ( $t_0$ ).
- 3) DS8023: The voltage generator is started simultaneously ( $t_1 = t_0$ ).
- 4) DS8023: Raise  $V_{CC}$  from 0 to 5V, 3V, or 1.8V with a controlled slope ( $t_2 = t_1 + 1.5 \times T$ ). T is 64 times the internal oscillator period (approximately 25 $\mu$ s).
- 5) DS8023: I/O, AUX1, and AUX2 are enabled ( $t_3 = t_1 + 4T$ ).
- 6) DS8023: The CLK signal is applied to the C3 contact ( $t_4$ ).
- 7) DS8023: RST is enabled simultaneously ( $t_5 = t_4 = t_{11} + 7T$ ).

An alternate sequence allows the application to control when the clock is applied to the card.

- 1) Host: Set RSTIN high.
- 2) Host: Set  $\overline{\text{CMDVCC}}$  low.
- 3) Host: Set RSTIN low between  $t_3$  and  $t_5$ ; CLK will now start.
- 4) DS8023: RST stays low until  $t_5$ , then RST becomes the copy of RSTIN.
- 5) DS8023: RSTIN has no further effect on CLK after  $t_5$ .

If the applied clock is not needed, set  $\overline{\text{CMDVCC}}$  low with RSTIN low. In this case, CLK starts at  $t_3$  (minimum 200ns after the transition on I/O, see Figure 4); after  $t_5$ , RSTIN can be set high to obtain an answer to request (ATR) from an inserted smart card. Do not perform activation with RSTIN held permanently high.

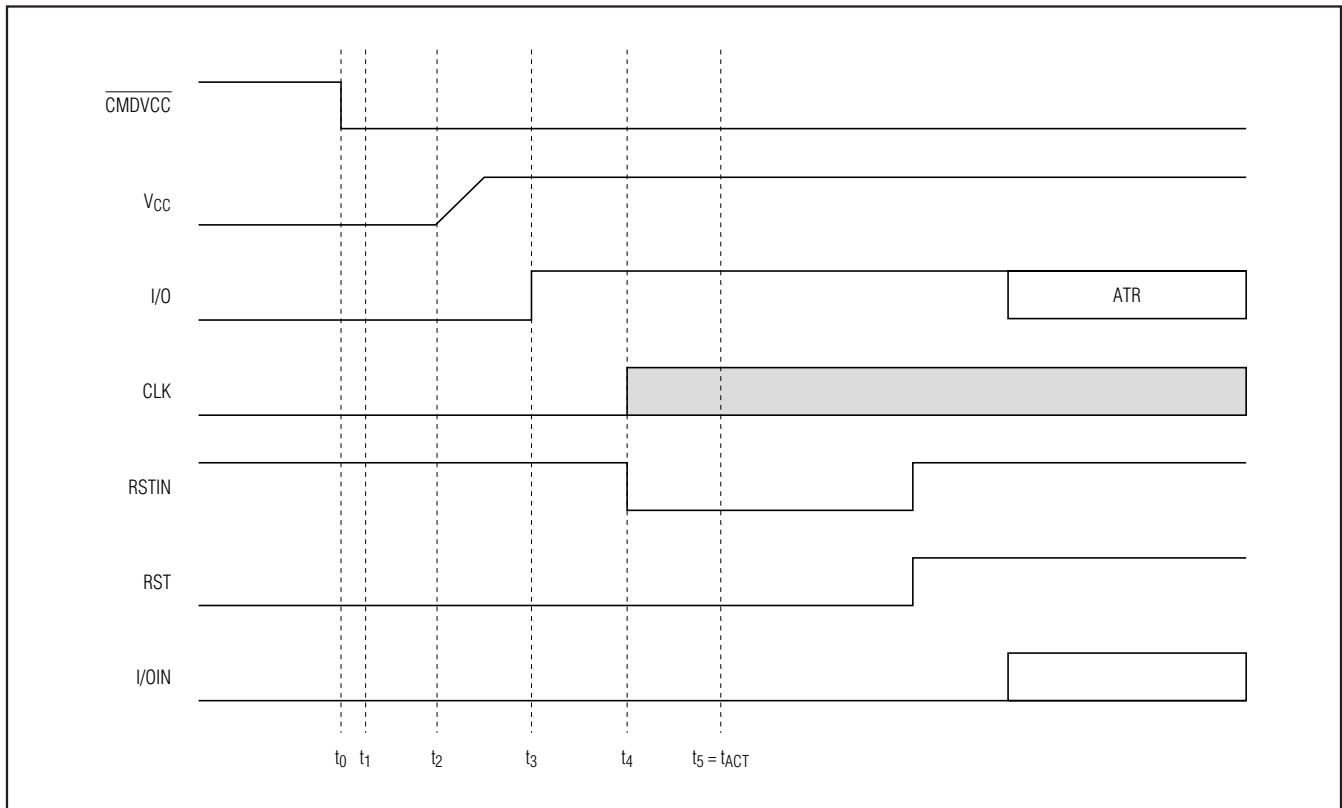


Figure 3. Activation Sequence Using RSTIN and  $\overline{\text{CMDVCC}}$

# DS8023

## Smart Card Interface

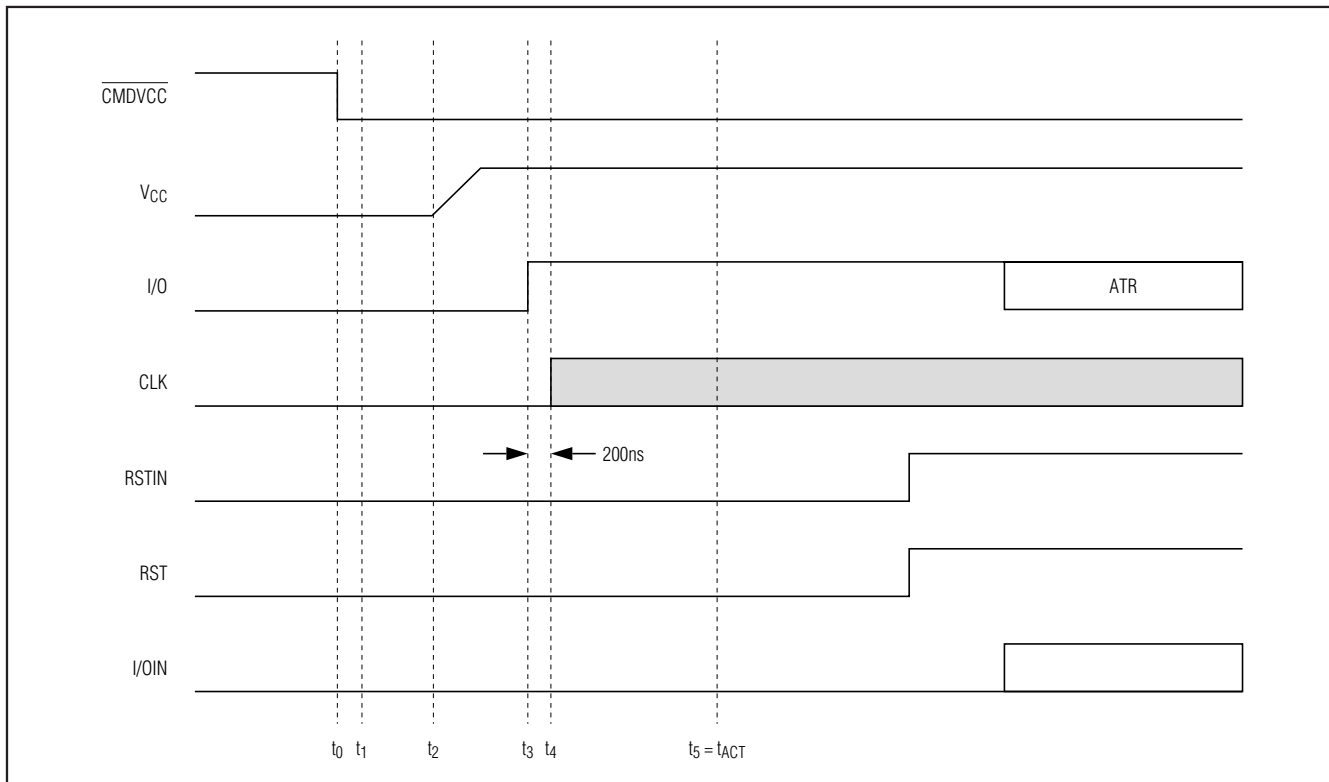


Figure 4. Activation Sequence at  $t_3$

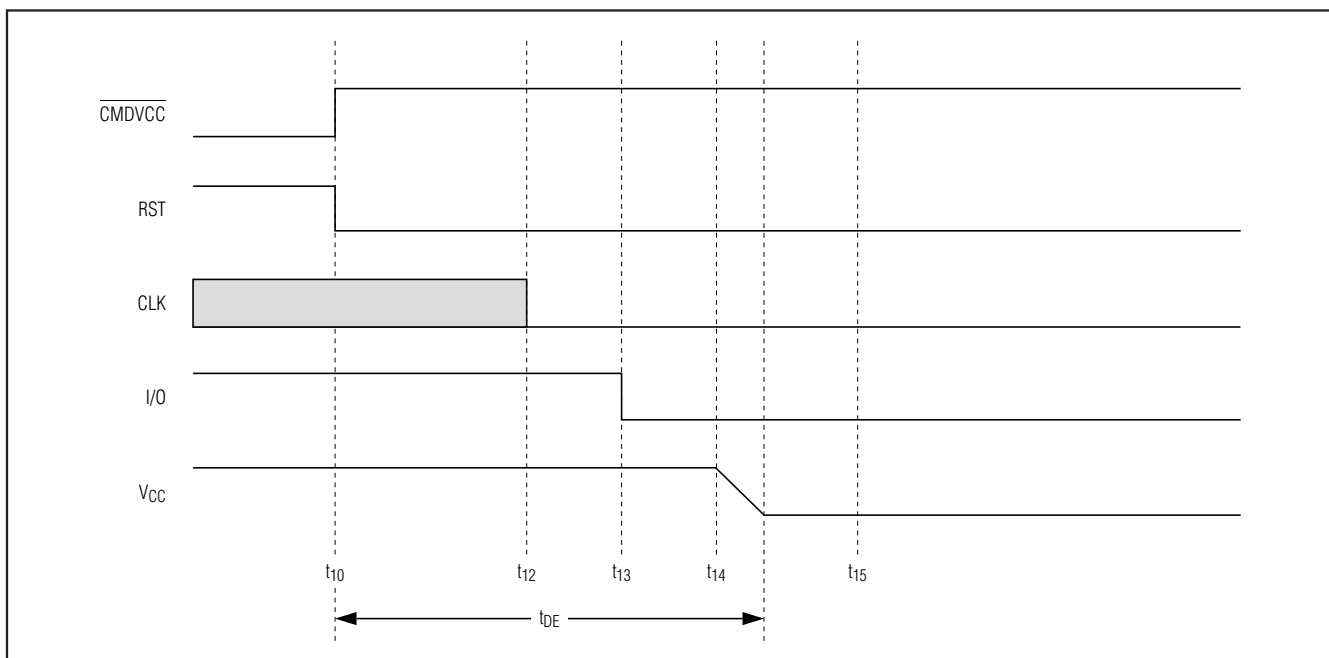


Figure 5. Deactivation Sequence

## Smart Card Interface

### Deactivation Sequence

When the host microcontroller is done communicating with the smart card, it sets the  $\overline{\text{CMDVCC}}$  line high to execute an automatic deactivation sequence and returns the card interface to the inactive mode.

The following sequence of events occurs during a deactivation sequence (Figure 5):

- 1) RST goes low ( $t_{10}$ ).
- 2) CLK is held low ( $t_{12} = t_{10} + 0.5 \times T$ ), where T is 64 times the period of the internal oscillator (approximately 25 $\mu$ s).
- 3) I/O, AUX1, and AUX2 are pulled low ( $t_{13} = t_{10} + T$ ).
- 4) VCC starts to fall ( $t_{14} = t_{10} + 3T$ ).
- 5) When VCC reaches its inactive state, the deactivation sequence is complete (at  $t_{DE}$ ).
- 6) All card contacts become low impedance to GND; I/OIN, AUX1IN, and AUX2IN remain at VDD (pulled up through an internal 11k $\Omega$  resistor).
- 7) The internal oscillator returns to its lower frequency.

### VCC Generator

The card voltage (VCC) generator can supply up to 80mA continuously at 5V, 65mA at 3V, or 30mA at 1.8V. An internal overload detector triggers at approximately 120mA. Current samples to the detector are filtered. This allows spurious current pulses (with a duration of a few  $\mu$ s) up to 200mA to be drawn without causing deactivation. The average current must stay below the specified maximum current value.

See the *Applications Information* section for recommendations to help maintain VCC voltage accuracy.

### Fault Detection

The DS8023 integrates circuitry to monitor the following fault conditions:

- Short circuit or high current on VCC
- Card removal while the interface is activated
- VDD dropping below threshold
- Card voltage generator operating out of the specified values (VDDA too low or current consumption too high)
- Overheating

There are two different cases for how the DS8023 reacts to fault detection (Figure 6):

- **Outside a Card Session ( $\overline{\text{CMDVCC}}$  High).** Output  $\overline{\text{OFF}}$  is low if a card is not in the card reader and high if a card is in the reader. The VDD supply is monitored—a decrease in input voltage generates an internal power-on reset pulse but does not affect the  $\overline{\text{OFF}}$  signal. Short-circuit and temperature detection are disabled because the card is not powered up.
- **Within a Card Session ( $\overline{\text{CMDVCC}}$  Low).** Output  $\overline{\text{OFF}}$  goes low when a fault condition is detected, and an emergency deactivation is performed automatically (Figure 7). When the system controller resets  $\overline{\text{CMDVCC}}$  to high, it may sense the  $\overline{\text{OFF}}$  level again after completing the deactivation sequence. This distinguishes between a card extraction and a hardware problem ( $\overline{\text{OFF}}$  goes high again if a card is present).

Depending on the connector's card-present switch (normally closed or normally open) and the mechanical characteristics of the switch, bouncing can occur on the PRES signals at card insertion or withdrawal. The DS8023 has a debounce feature with an 8ms typical duration (Figure 6). When a card is inserted, output  $\overline{\text{OFF}}$  goes high after the debounce time delay. When the card is extracted, an automatic deactivation sequence of the card is performed on the first true/false transition on PRES and output  $\overline{\text{OFF}}$  goes low.

### Stop Mode (Low-Power Mode)

A low-power state, stop mode, can be entered by forcing the  $\overline{\text{CMDVCC}}$ , 5V/3V, and 1\_8V input pins to a logic-high state. Stop mode can only be entered when the smart card interface is inactive. In stop mode all internal analog circuits are disabled. The  $\overline{\text{OFF}}$  pin follows the status of the PRES pin. To exit stop mode, change the state of one or more of the three control pins to a logic-low. An internal 220 $\mu$ s (typ) power-up delay and the 8ms PRES debounce delay are in effect and  $\overline{\text{OFF}}$  is asserted to allow the internal circuitry to stabilize. This prevents smart card access from occurring after leaving the stop mode. Figure 8 shows the control sequence for entering and exiting stop mode. Note that an in-progress deactivation sequence always finishes before the DS8023 enters low-power stop mode.

# DS8023

## Smart Card Interface

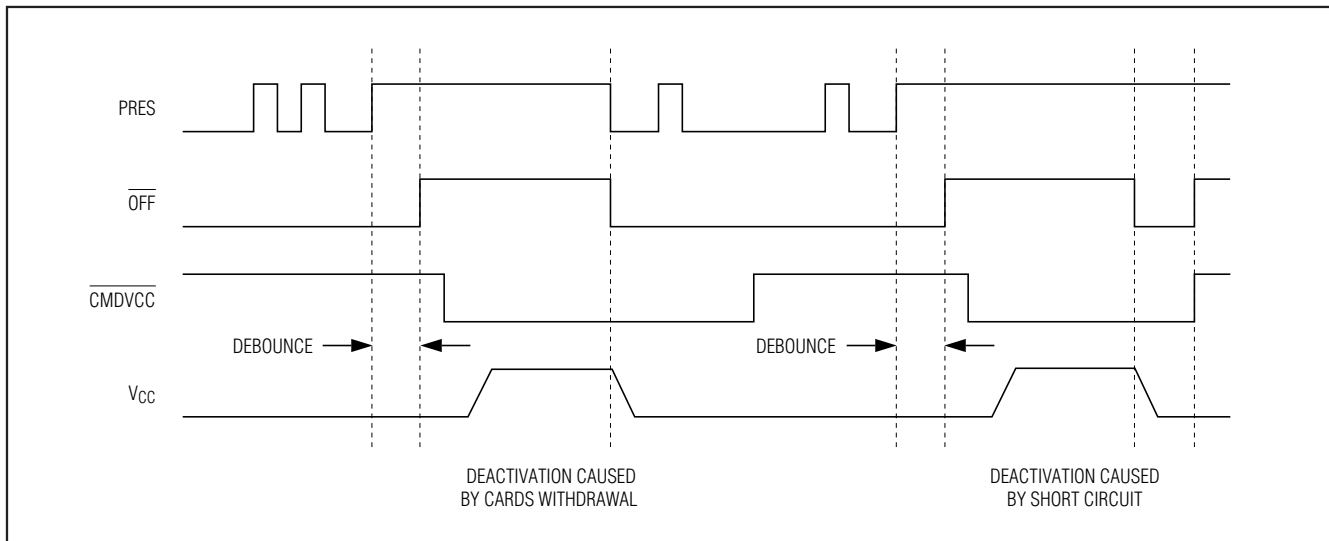


Figure 6. Behavior of PRES,  $\overline{\text{OFF}}$ ,  $\overline{\text{CMDVCC}}$ , and  $V_{\text{CC}}$

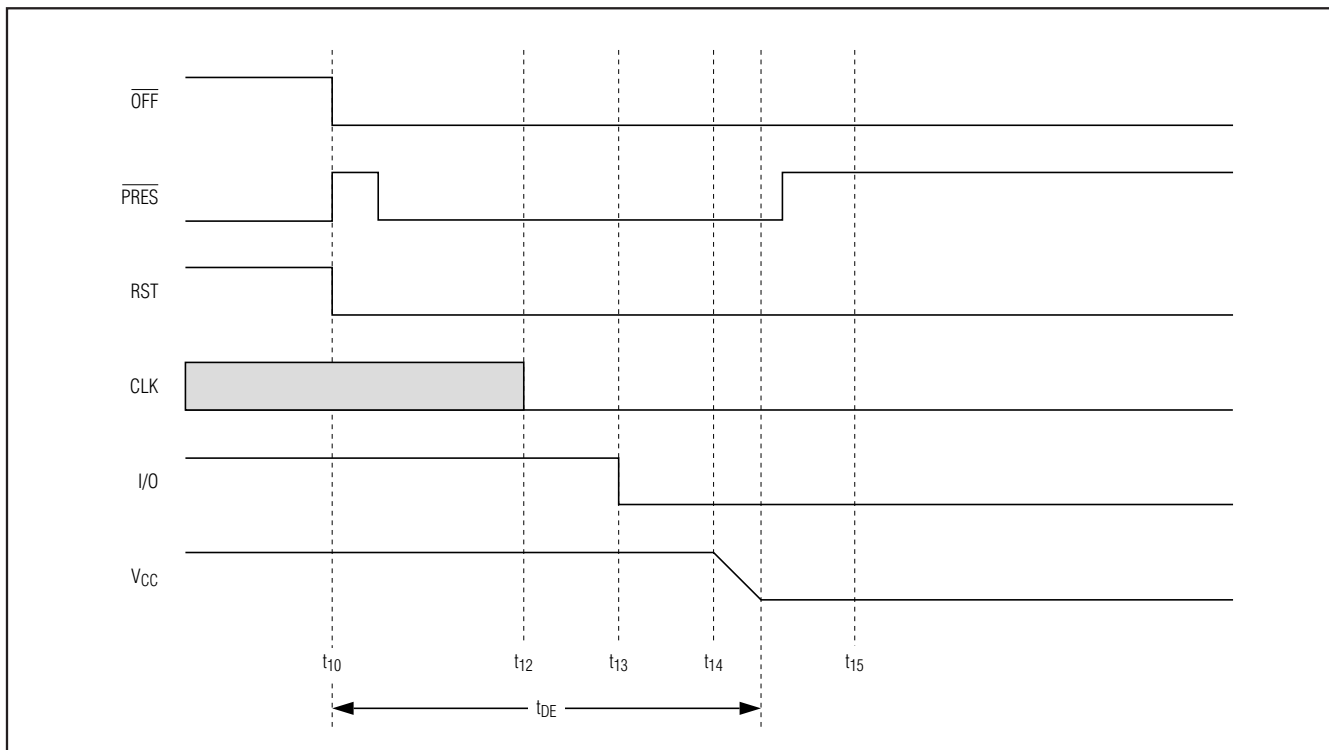


Figure 7. Emergency Deactivation Sequence (Card Extraction)

# DS8023

## Smart Card Interface

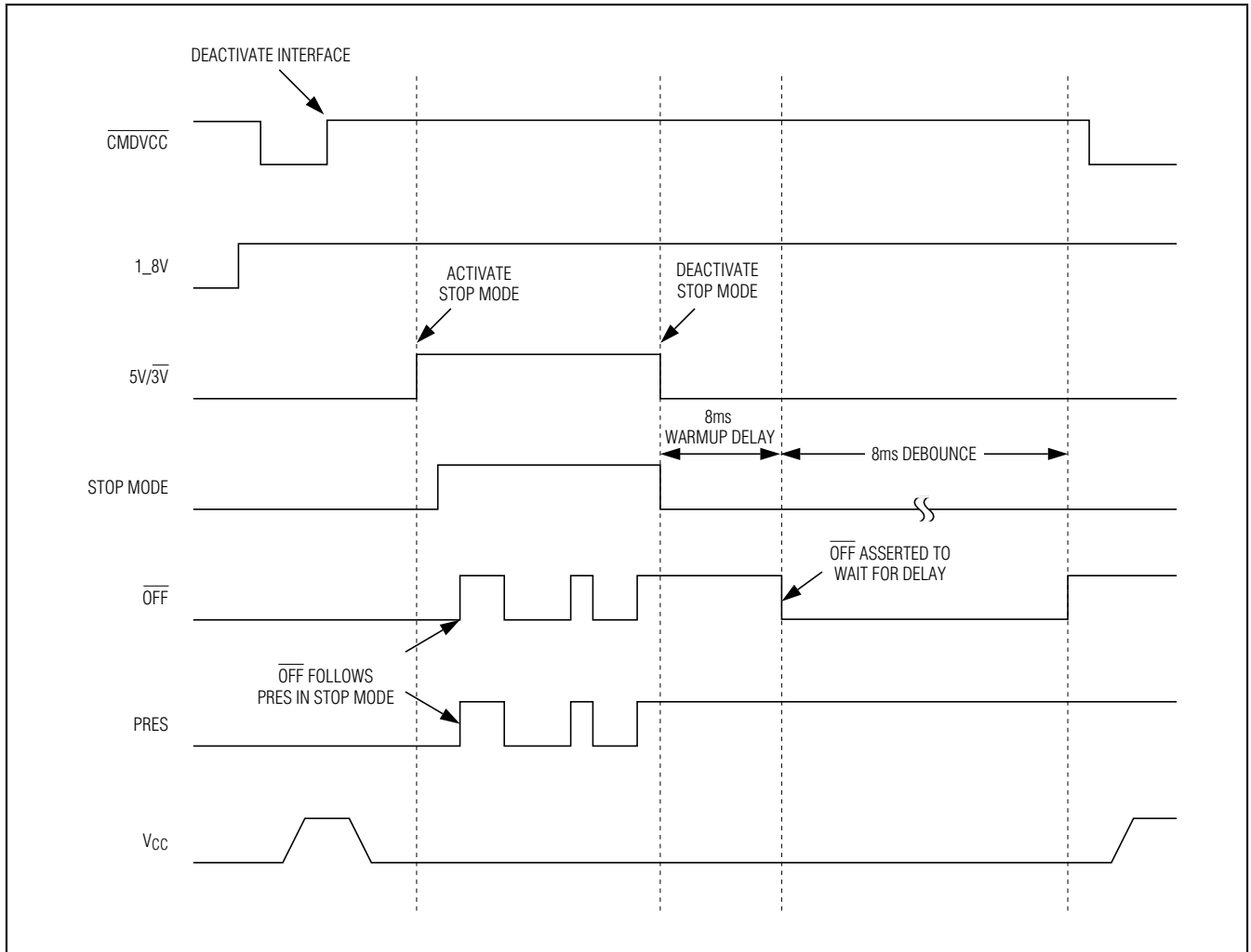


Figure 8. Stop-Mode Sequence

# DS8023

## Smart Card Interface

### Smart Card Power Select

The DS8023 supports three smart card V<sub>CC</sub> voltages: 1.8V, 3V, and 5V. The power select is controlled by the 1\_8V and 5V/3V signals as shown in Table 3. The 1\_8V signal has priority over 5V/3V. When 1\_8V is asserted high, 1.8V is applied to V<sub>CC</sub> when the smart card is active. When 1\_8V is deasserted, 5V/3V dictates V<sub>CC</sub> power range. V<sub>CC</sub> is 5V if 5V/3V is asserted to a logic-high state, and V<sub>CC</sub> is 3V if 5V/3V is pulled to a

logic-low state. Care must be exercised when switching from one V<sub>CC</sub> power selection to the other. If both 1\_8V and 5V/3V are high with  $\overline{\text{CMDVCC}}$  high at the same time, the DS8023 enters stop mode. To avoid accidental entry into stop mode, the state of 1\_8V and 5V/3V must not be changed simultaneously. A minimum delay of 100ns should be observed between changing the states of 1\_8V and 5V/3V. See Figure 9 for the recommended sequence of changing the V<sub>CC</sub> range.

**Table 3. V<sub>CC</sub> Select and Operation Mode**

1_8V	5V/3V	$\overline{\text{CMDVCC}}$	V <sub>CC</sub> SELECT (V)	CARD INTERFACE STATUS
0	0	0	3	Activated
0	0	1	3	Deactivated
0	1	0	5	Activated
0	1	1	5	Deactivated
1	0	0	1.8	Activated
1	0	1	1.8	Deactivated
1	1	0	1.8	Reserved (Activated)
1	1	1	1.8	Not Applicable—Stop Mode

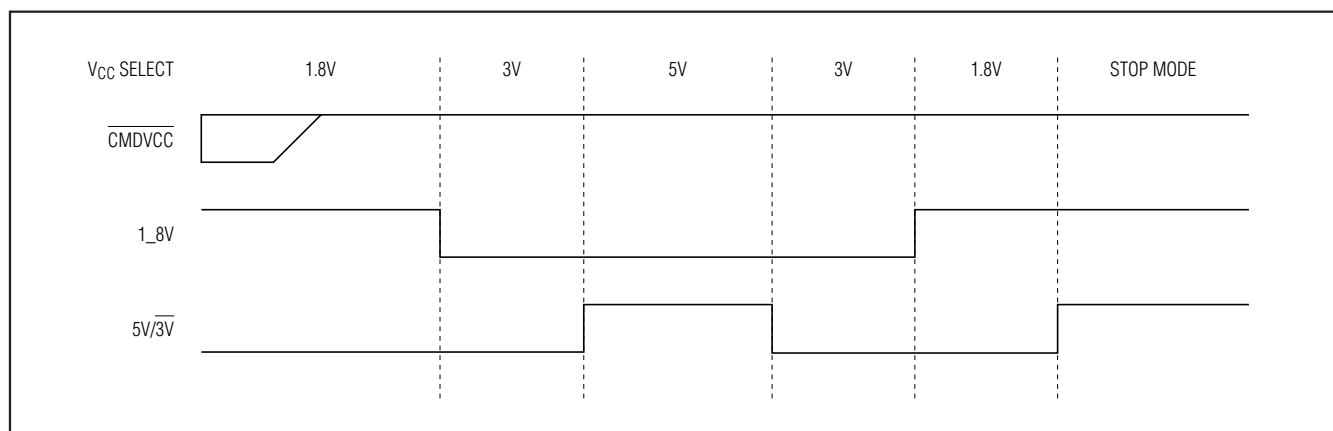


Figure 9. Smart Card Power Select

# DS8023 Smart Card Interface

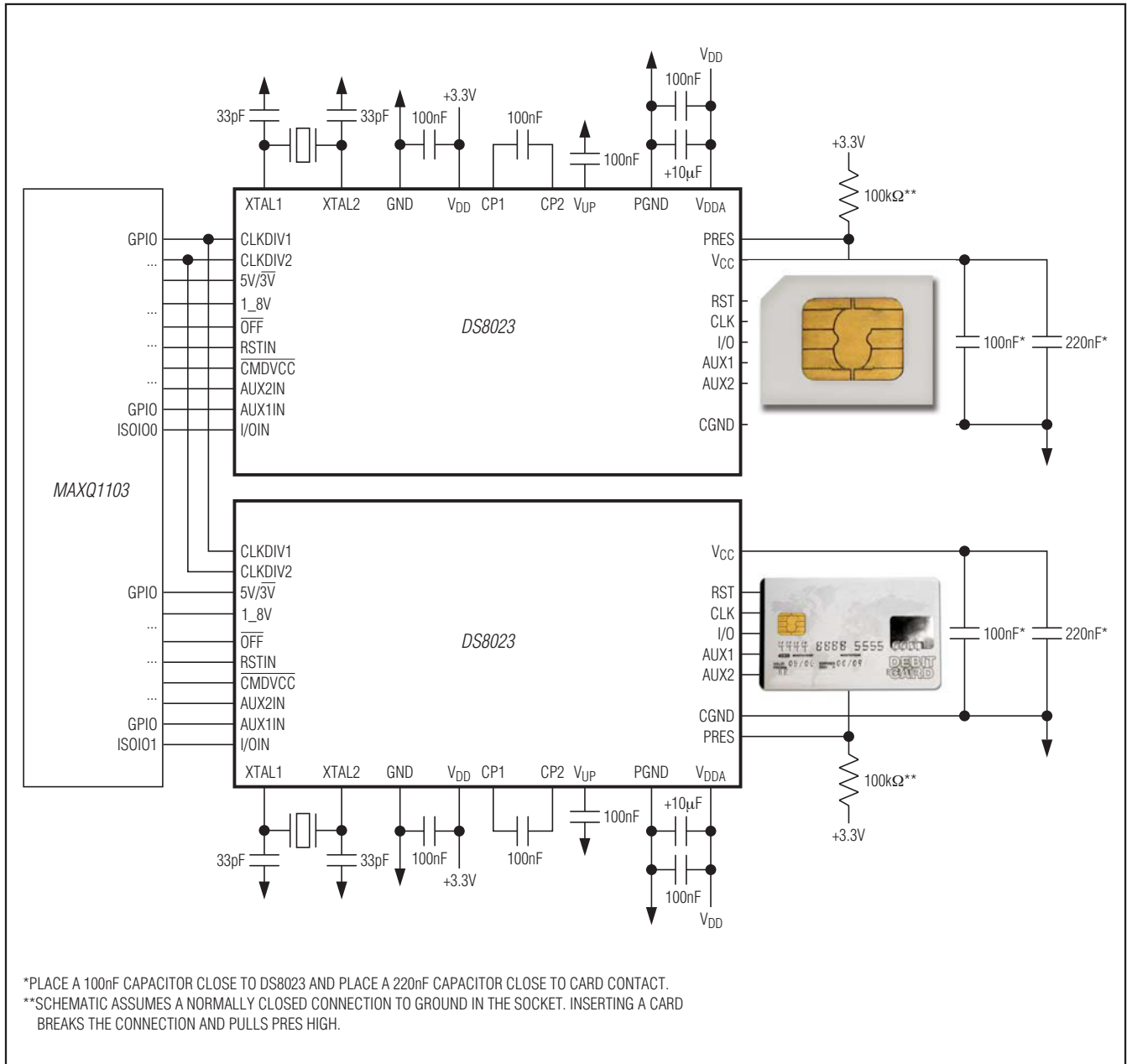


Figure 10. Typical Application Diagram

# DS8023

## Smart Card Interface

### Applications Information

Performance can be affected by the layout of the application. For example, an additional cross-capacitance of 1pF between card reader contacts C2 (RST) and C3 (CLK) or C2 (RST) and C7 (I/O) can cause contact C2 to be polluted with high-frequency noise from C3 (or C7). In this case, include a 100pF capacitor between contacts C2 and CGND.

Application recommendations include the following:

- Ensure there is ample ground area around the DS8023 and the connector; place the DS8023 very near to the connector; decouple the V<sub>DD</sub> and V<sub>DDA</sub> lines separately. These lines are best positioned under the connector.
- The DS8023 and the host microcontroller must use the same V<sub>DD</sub> supply. Pins CLKDIV1, CLKDIV2, RSTIN, PRES, AUX1IN, I/OIN, AUX2IN, 5V/3V, CMDVCC, and OFF are referenced to V<sub>DD</sub>; if pin XTAL1 is to be driven by an external clock, also reference this pin to V<sub>DD</sub>.
- Trace C3 (CLK) should be placed as far as possible from the other traces.
- The trace connecting CGND to C5 (GND) should be straight (the two capacitors on C1 (V<sub>CC</sub>) should be connected to this ground trace).
- Avoid ground loops among CGND, PGND, and GND.
- Decouple V<sub>DDA</sub> and V<sub>DD</sub> separately; if the two supplies are the same in the application, they should be connected in a star on the main trace.

- Connect a 100nF capacitor (ESR < 100mΩ) between V<sub>CC</sub> and CGND and place near the DS8023's V<sub>CC</sub> pin.
- Connect a 100nF or 220nF capacitor (220nF preferred, ESR < 100mΩ) between V<sub>CC</sub> and CGND and place near the smart card socket's C1 contact.

With all these layout precautions, noise should be kept to an acceptable level and jitter on C3 (CLK) should be less than 100ps.

### Technical Support

For technical support, go to <https://support.maximintegrated.com/micro>.

### Selector Guide

PART	CURRENT VOLTAGES SUPPORTED (V)	SUPPORTS STOP MODE?	PIN-PACKAGE
DS8023-RJX+	1.8, 3.0, 5.0	Yes	28 TSSOP
DS8023-RRX+	1.8, 3.0, 5.0	Yes	28 SO

**Note:** Contact the factory for availability of other variants and package options.

+Denotes a lead(Pb)-free/RoHS-compliant package.

### Package Information

For the latest package outline information and land patterns (footprints), go to [www.maximintegrated.com/packages](http://www.maximintegrated.com/packages). Note that a "+", "#", or "-" in the package code indicates RoHS status only. Package drawings may show a different suffix character, but the drawing pertains to the package regardless of RoHS status.

PACKAGE TYPE	PACKAGE CODE	OUTLINE NO.	LAND PATTERN NO.
28 SO (300 mils)	W28+6	<a href="#">21-0042</a>	<a href="#">90-0109</a>
28 TSSOP	U28+1	<a href="#">21-0066</a>	<a href="#">90-0171</a>



# DS8023

## Smart Card Interface

### Revision History

REVISION NUMBER	REVISION DATE	DESCRIPTION	PAGES CHANGED
0	8/08	Initial release	—
1	4/13	Clarified $t_1$ , $t_5$ , $t_{14}$ , added note to Figure 10 describing PRES pin operation, and added package information	9, 11, 15



Maxim Integrated cannot assume responsibility for use of any circuitry other than circuitry entirely embodied in a Maxim Integrated product. No circuit patent licenses are implied. Maxim Integrated reserves the right to change the circuitry and specifications without notice at any time. The parametric values (min and max limits) shown in the Electrical Characteristics table are guaranteed. Other parametric values quoted in this data sheet are provided for guidance.

**Maxim Integrated 160 Rio Robles, San Jose, CA 95134 USA 1-408-601-1000**

17

Компания «Океан Электроники» предлагает заключение долгосрочных отношений при поставках импортных электронных компонентов на взаимовыгодных условиях!

Наши преимущества:

- Поставка оригинальных импортных электронных компонентов напрямую с производств Америки, Европы и Азии, а так же с крупнейших складов мира;
- Широкая линейка поставок активных и пассивных импортных электронных компонентов (более 30 млн. наименований);
- Поставка сложных, дефицитных, либо снятых с производства позиций;
- Оперативные сроки поставки под заказ (от 5 рабочих дней);
- Экспресс доставка в любую точку России;
- Помощь Конструкторского Отдела и консультации квалифицированных инженеров;
- Техническая поддержка проекта, помощь в подборе аналогов, поставка прототипов;
- Поставка электронных компонентов под контролем ВП;
- Система менеджмента качества сертифицирована по Международному стандарту ISO 9001;
- При необходимости вся продукция военного и аэрокосмического назначения проходит испытания и сертификацию в лаборатории (по согласованию с заказчиком);
- Поставка специализированных компонентов военного и аэрокосмического уровня качества (Xilinx, Altera, Analog Devices, Intersil, Interpoint, Microsemi, Actel, Aeroflex, Peregrine, VPT, Syfer, Eurofarad, Texas Instruments, MS Kennedy, Miteq, Cobham, E2V, MA-COM, Hittite, Mini-Circuits, General Dynamics и др.);

Компания «Океан Электроники» является официальным дистрибьютором и эксклюзивным представителем в России одного из крупнейших производителей разъемов военного и аэрокосмического назначения «JONHON», а так же официальным дистрибьютором и эксклюзивным представителем в России производителя высокотехнологичных и надежных решений для передачи СВЧ сигналов «FORSTAR».



## JONHON

«JONHON» (основан в 1970 г.)

Разъемы специального, военного и аэрокосмического назначения:

(Применяются в военной, авиационной, аэрокосмической, морской, железнодорожной, горно- и нефтедобывающей отраслях промышленности)

«FORSTAR» (основан в 1998 г.)

ВЧ соединители, коаксиальные кабели, кабельные сборки и микроволновые компоненты:

(Применяются в телекоммуникациях гражданского и специального назначения, в средствах связи, РЛС, а так же военной, авиационной и аэрокосмической отраслях промышленности).



Телефон: 8 (812) 309-75-97 (многоканальный)

Факс: 8 (812) 320-03-32

Электронная почта: [ocean@oceanchips.ru](mailto:ocean@oceanchips.ru)

Web: <http://oceanchips.ru/>

Адрес: 198099, г. Санкт-Петербург, ул. Калинина, д. 2, корп. 4, лит. А