

SAM9N12/CN11-EK

User Guide



Section 1

Introduction	1-1
1.1 SAM9N12/CN11 Evaluation Kit.....	1-1
1.2 User Guide Content	1-1
1.3 References and Applicable Documents	1-1

Section 2

Kit Contents	2-1
2.1 Deliverables	2-1
2.2 Evaluation Board Specifications.....	2-2
2.3 Electrostatic Warning	2-2

Section 3

Power Up.....	3-1
3.1 Power up the Board	3-1
3.2 Battery.....	3-1
3.3 Sample Code and Technical Support	3-1
3.4 Recovery Procedure	3-1

Section 4

Evaluation Kit Hardware	4-1
4.1 Board Overview.....	4-1
4.2 Equipment List	4-2
4.2.1 Features List	4-2
4.2.2 Interface Connection.....	4-3
4.2.3 Configuration Items.....	4-3
4.3 Function Blocks.....	4-5
4.3.1 Processor.....	4-5
4.3.2 Clock Distribution	4-5
4.3.3 Reset and Wake-up Circuitry	4-6
4.3.4 Power Supplies	4-6
4.3.5 Power Rails.....	4-7
4.3.6 Battery Backup	4-8
4.3.7 Memory	4-9
4.3.8 UART DBGU.....	4-10
4.3.9 JTAG Interface.....	4-10
4.3.10 Serial Peripheral Interface (SPI) Controller	4-11
4.3.11 Two Wire Interface (TWI).....	4-11
4.3.12 USB Ports	4-12
4.3.13 1-Wire EEPROM.....	4-13
4.3.14 ETH on EBI.....	4-13

4.3.15	Audio.....	4-14
4.3.16	SD Card	4-15
4.3.17	ZigBee Interface	4-15
4.3.18	Analog Interface	4-16
4.3.19	LED Indicators	4-16
4.3.20	Push Buttons	4-17
4.3.21	Expansion Ports.....	4-18
4.3.22	PIO Usage	4-19
4.4	Connectors.....	4-23
4.4.1	Power Supply.....	4-23
4.4.2	JTAG/ICE Connector	4-23
4.4.3	DBGU	4-24
4.4.4	USB MicroB	4-25
4.4.5	USB Type A port.....	4-25
4.4.6	SD Card MCI	4-26
4.4.7	Ethernet RJ45 Socket.....	4-27
4.4.8	Zigbee Socket J12	4-27
4.4.9	LCD Socket.....	4-28
4.4.10	IO Expansion Port	4-30

Section 5

EK Schematics	5-1
5.1 SAM9N12-EK Schematics	5-1
5.2 SAM9CN11-EK Schematics.....	5-2

Section 6

Display Module Hardware.....	6-1
6.1 Board Overview.....	6-1
6.2 Equipment List	6-1
6.3 Function Blocks.....	6-2
6.3.1 3.3V Regulator.....	6-2
6.3.2 TFT LCD with Touch Panel	6-2
6.3.3 Back Light	6-3
6.3.4 QTouch	6-4
6.3.5 1-Wire	6-4

Section 7

DM Schematics.....	7-1
7.1 DM Board Schematics	7-1

Section 8

Revision History.....	8-1
-----------------------	-----



8.1 Revision History 8-1





Section 1

Introduction

1.1 SAM9N12/CN11 Evaluation Kit

This User Guide introduces the SAM9N12 and SAM9CN11 Evaluation Kits and describes their development and debugging capabilities running on SAM9N12 and SAM9CN11 devices.

The Atmel® SAM9N12/CN11 Evaluation Kit is a fully-featured evaluation platform for the Atmel SAM9N12 and SAM9CN11 microcontrollers. The evaluation kit allows users to extensively evaluate, prototype and create application-specific designs.

SAM9N12/CN11 Evaluation Kit consists of two boards:

- The Evaluation Kit (EK) board
- The Display Module (DM) board

1.2 User Guide Content

This guide gives details on how the SAM9N12/CN11-EK has been designed. It is made up of 8 sections:

- Section 1 Introduction (including references, applicable documents)
- Section 2 Kit Contents
- Section 3 Power Up
- Section 4 Evaluation Kit Hardware
- Section 5 EK Schematics
- Section 6 Display Module Hardware
- Section 7 DM Schematics
- Section 8 Revision History

1.3 References and Applicable Documents

The documents listed below should be referred for more information on the SAM9CN11-EK.

Table 1-1. References and Applicable Documents

Title	Comment
SAM9N12/CN11 Datasheet	www.atmel.com

2.1 Deliverables

The Atmel SAM9N12/CN11 Evaluation Kit contains the following items:

- Board
 - One SAM9N12/CN11-EK board
 - One SAM9N12/CN11-DM board
- Power supply
 - Universal input AC/DC power supply with US, Europe and UK plug adapters
 - One 3V lithium battery type CR1225
- Cables
 - One serial RS232 cable
 - One micro A/B-type USB cable
 - One RJ45 crossed cable
- A Welcome letter

Figure 2-1. Unpacked SAM9N12/CN11-EK



Unpack and inspect the kit carefully. Contact your local Atmel distributor, should you have issues concerning the contents of the kit.

2.2 Evaluation Board Specifications

Table 2-1. SAM9N12/CN11 Evaluation Kit Specifications

Characteristics	Specifications
Clock speed	400 MHz PCK, 133 MHz MCK
Ports	Ethernet, USB, RS232, JTAG, Audio, SD card
Board supply voltage	5V DC from connector, or 5V DC from Micro USB receptacle
Temperature - operating - storage	-10°C to + 50°C -40°C to + 85°C
Relative humidity	0 to 90% (non condensing)
Dimensions - SAM9N12/CN11-EK - SAM9N12/CN11-DM	135 mm x 100 mm 135 mm x 70 mm
RoHS status	Compliant

2.3 Electrostatic Warning

The SAM9N12/CN11 Evaluation Kit is shipped in a protective anti-static package. The board system must not be subjected to high electrostatic potentials. We strongly recommend using a grounding strap or similar ESD protective device when handling the board in hostile ESD environments (offices with synthetic carpet, for example). Avoid touching the component pins or any other metallic element on the board.



3.1 Power up the Board

Unpack the board, taking care to avoid electrostatic discharge. Unpack the power supply, select the right power plug adapter corresponding to that of your country, and insert it in the power supply.

Connect the power supply DC connector to the board and plug the power supply to an AC power plug. The board LCD should light up and display a graphic demo program. Then, click or touch icons displayed on the screen and enjoy the demo.

3.2 Battery

The SAM9N12/CN11-EK ships with a 3V coin battery.

This battery is not required for the board to start up.

The coin battery is provided for user convenience in case the user would like to exercise the date and time backup function of the SAM9N12/CN11 devices when the board is switched off.

3.3 Sample Code and Technical Support

After boot-up, designers can run sample code or their own application on the development kit. Users can download sample code and get technical support from the Atmel web site: <http://www.atmel.com/>.

3.4 Recovery Procedure

All boards of Evaluation Kit have passed strict test procedures before shipment. The demo software boots from SPI DataFlash[®] and stores the binary image in the NAND Flash. If the contents of either of the Flash have been deleted, follow the instructions below to recover it to the state as it was when shipped by Atmel.

Under the web page of SAM9N12/CN11-EK, find the test package of AT91SAM9N12/CN11-EK_test_xx_public.zip (xx is the version number), which is the file for Flash content burning. A step-by-step instruction is available in name of SAM9N12/CN11_EK_Test_Software on how to recover the contents and how to make test for each section of the boards.

Evaluation Kit Hardware

4.1 Board Overview

This section introduces the Atmel SAM9N12/CN11 Evaluation Kit design. It introduces system-level concepts, such as power distribution, memory, and interface assignments.

The SAM9N12/CN11-EK board is built around on the integration of an ARM[®]926-based microcontroller (BGA 217 package) with on-board SDRAM, NAND-Flash and a set of popular peripherals. It is designed to provide a high performance processor evaluation solution with high flexibility for various kinds of applications.

Figure 4-1. SAM9N12 Board Architecture

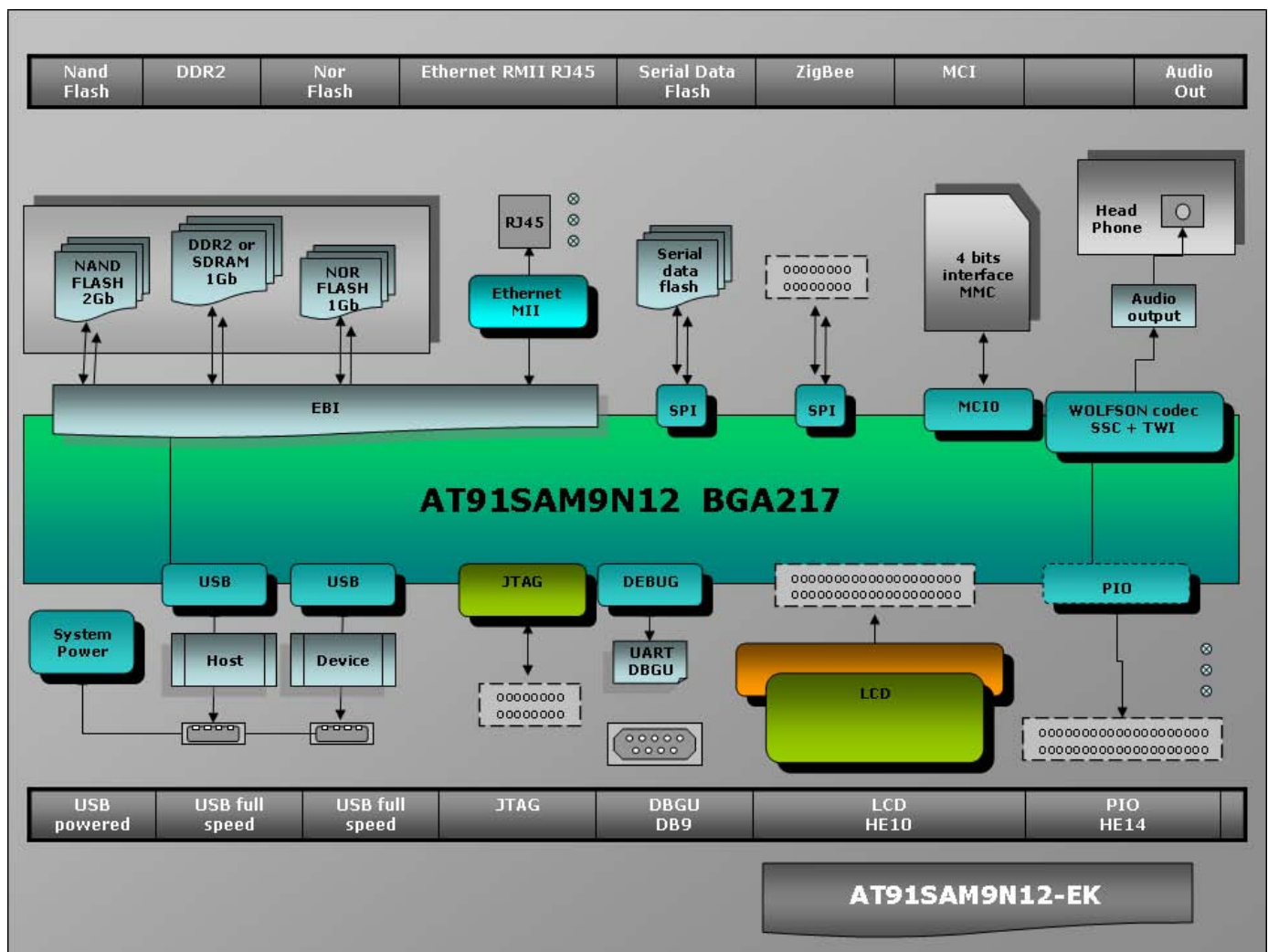
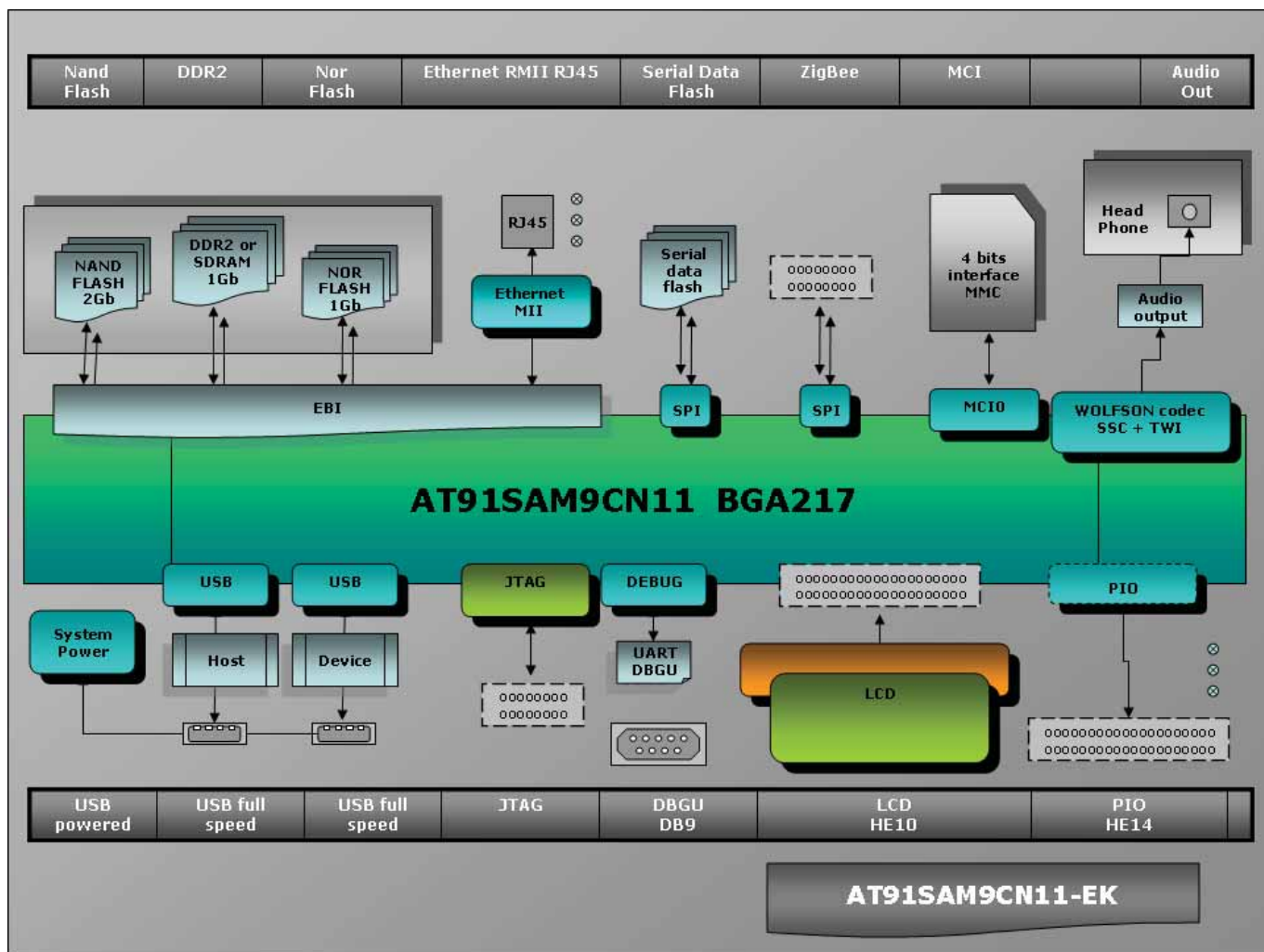


Figure 4-2. SAM9CN11 Board Architecture



4.2 Equipment List

4.2.1 Features List

Here is the list of the EK board components:

- SAM9N12/CN11 microcontroller BGA
 - 16 MHz crystal
 - 32.768 kHz crystal
- Memory
 - 1 Gbit DDR2 memory
 - 2 Gbits NAND Flash memory with chip selection control switch
 - Optional NOR Flash
 - 32 Mbits SPI serial DataFlash with chip selection control switch
 - 512 Kbits serial EEPROM
 - 1 Kbit 1-Wire EEPROM



- SD/MMC interface
- Communication
 - One Ethernet Physical Transceiver Layer with RJ45 connector
 - UART DBGU port with level shifter IC
 - JTAG/ICE port
 - USB Host and Device
 - ZigBee®
- Add-on Display Module
 - TFT LCD module with touch screen
 - QTouch® elements for user QTouch: K1 to K4
- Audio CODEC with input stereo headphone and microphone
- On-board power regulation and backup battery
- Two user LEDs and one power LED
- System buttons: NRST, WKUP, OE_CS
- One user button

4.2.2 Interface Connection

The SAM9N12/CN11-EK board includes hardware interfaces such as:

- DC power supply (J1)
- Backup battery (Bt1)
- USB host, type A connector (J2)
- USB device, micro B connector (J3)
- One Ethernet 10/100 interface through an ETH controller (J16)
- DBGU (RX and TX only) connected to a 9-way male RS232 connector (J11)
- JTAG, 20 pin IDC connector (J4)
- SD connector (J8)
- Headphone (J13), line-in (J15), on board mic-phone (mic1)
- DM board connection for QTouch and TFT LCD display with touch screen and backlight (J9, J10)
- ZigBee connector (J12)
- Three IO expansion ports (J5, J6, J7)
- Test points (various test points are located throughout the board)

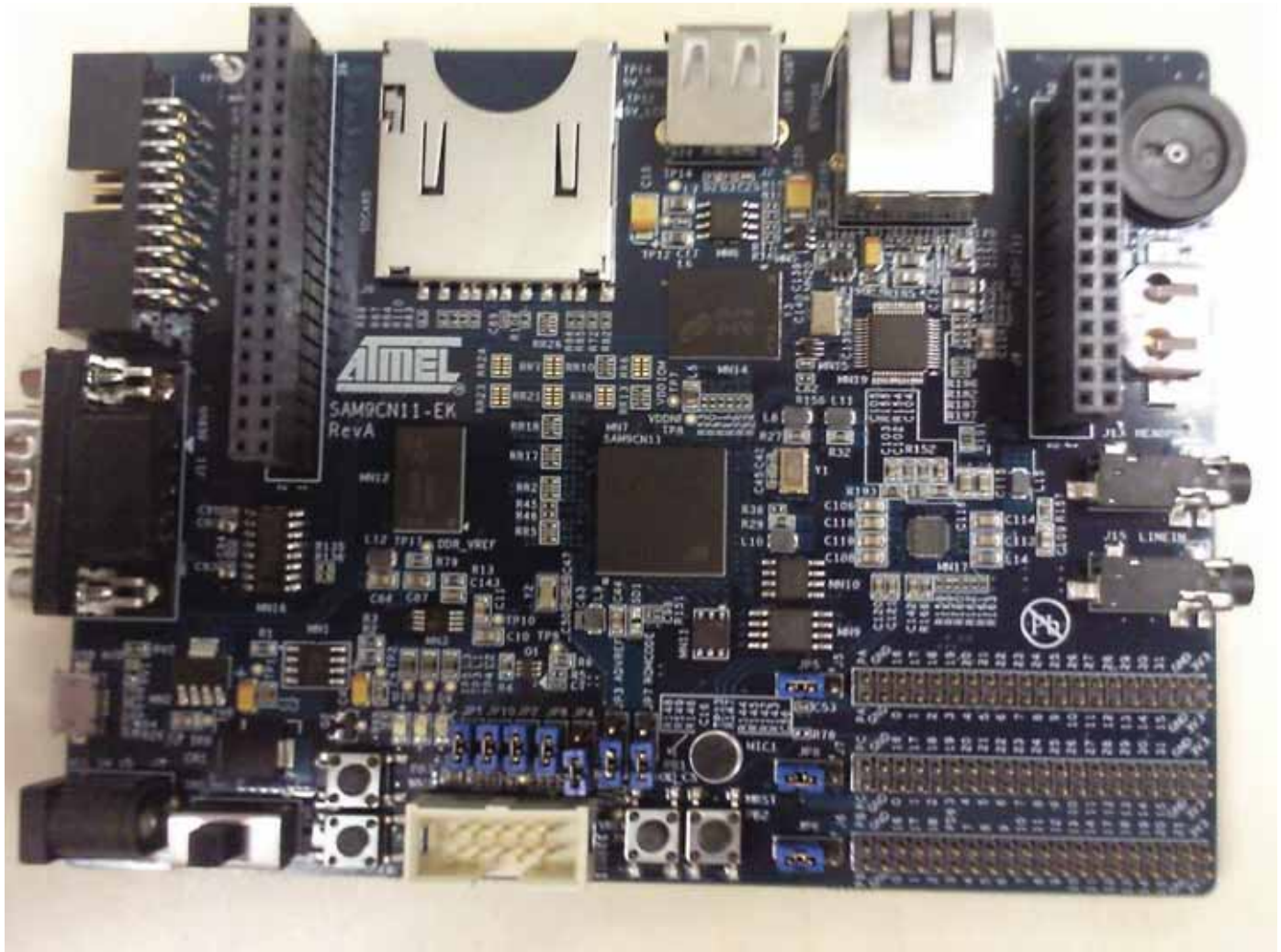
4.2.3 Configuration Items

- Power selection switch (SW1)
- Push button - NAND/DataFlash OS_CS (PB1)
- Push button - NRST, board reset (PB2)
- Push button - Wake-up (PB3)
- Push button - PB_USER (PB4)

Figure 4-3. SAM9N12-EK Board Layout



Figure 4-4. SAM9CN11-EK Board Layout



4.3 Function Blocks

4.3.1 Processor

The EK board is equipped with a SAM9N12/CN11 device in BGA217 package. The processor runs at a nominal frequency of 400 MHz for the core and 133 MHz for the system bus.

4.3.2 Clock Distribution

The SAM9N12/CN11-EK board includes three clock systems. Two of the clock systems are alternatives for the SAM9N12/CN11 main clock and one clock system is an oscillator used for the Ethernet controller chip.

Table 4-1 lists the main components associated with these clock systems.

Table 4-1. Main Components Associated with the Clock Systems

QTY	Description	Component assignment
1	Crystal for Internal Clock, 16 MHz	Y1
1	Crystal for RTC Clock, 32.768 kHz	Y2
1	Crystal for Ethernet Clock, 25 MHz	Y3

4.3.3 Reset and Wake-up Circuitry

The reset sources for the EK board are:

- Power-on reset
- Push-button reset (PB2)
- JTAG reset from an in-circuit emulator (JTAG interface is equipped on EK board)

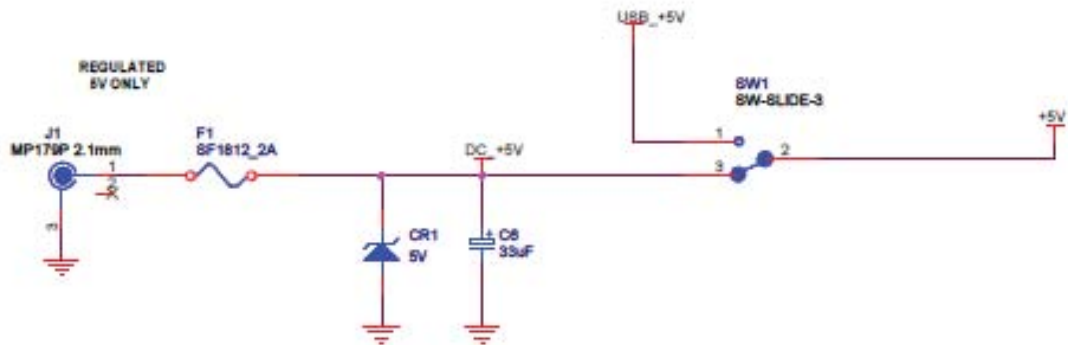
To disable any bootable content in NAND Flash or DataFlash, please refer to “Push Buttons” .

4.3.4 Power Supplies

The SAM9N12/CN11-EK board evaluation and development platform embeds all the necessary power rails required for the SAM9N12/CN11 processor and peripherals. The SAM9N12/CN11-EK board can be supplied by either a USB connection via J3 or a 5V DC block through input J1 (refer to usb schematic).

A manual power supply selection (SW1) between the USB supply and the 5V power supply is provided to select the main power line.

Figure 4-5. Power Input



Connector J1 is provided for use with a DC adapter. It is a 2.5 mm male power jack. [Table 4-2](#) below lists the DC adapter connector pinouts.

Table 4-2. Power Input Configuration

PIN	INPUT
1 (Center)	Positive
2	No connection
3 (Outside)	Ground

4.3.5 Power Rails

The SAM9N12/CN11-EK Board contains three regulated power supplies:

- 3.3V DC supply
- 1.8V DC supply
- 1.0V DC core supply

The outputs of these regulated power supplies are distributed as necessary to the circuits on boards.

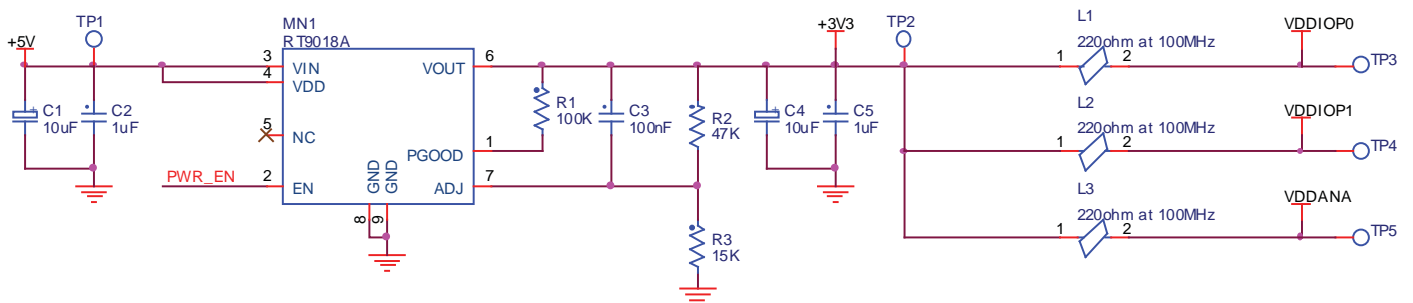
The USB supplies and the 5V input DC block are further regulated to 3.3V. The main 3.3V regulator is based on a RICHTEK RT9018A low dropout regulator providing a fixed output of 3.3V. Its output is used for:

- VDDIOP0
- VDDIOP1
- VDDANA
- VDDOSC
- VDDUSB
- VDDFUSE

When the 3.3V supply is present, power LED D10 is lit.

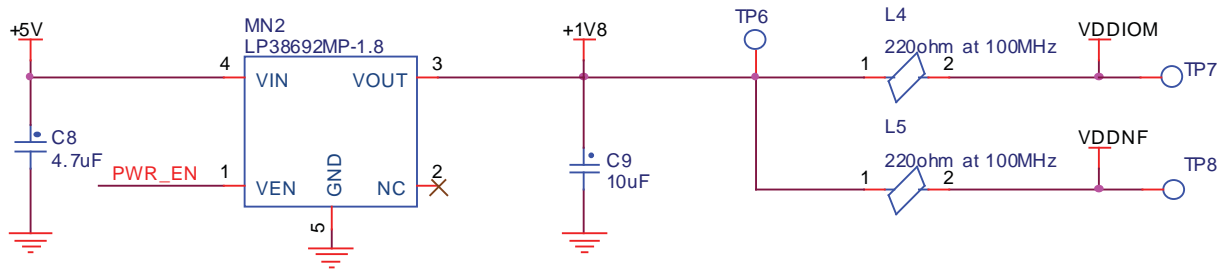
Test points TP2 to TP5 are used to perform testing.

Figure 4-6. 3.3V Supply



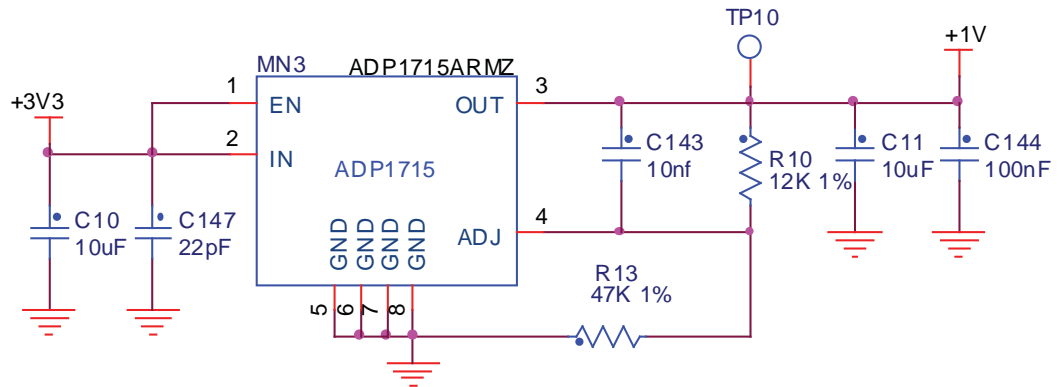
The 1.8V DC core supply is based on an LDO LP38692MP IC. It is powered by the 5V DC supply. Its output is used for VDDIOM and VDDNF. Test point TP6 is used to perform testing.

Figure 4-7. 1.8V Supply



The 1.0V DC core supply is based on an LDO ADP1715AR. It is powered by the output of the 3.3V CC supply. Its output is used for VDDCORE and VDDPLL. Test point TP10 is used to perform testing.

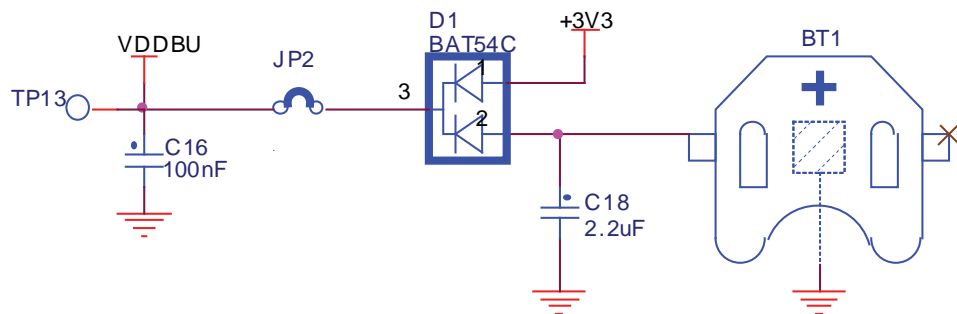
Figure 4-8. 1V Supply



4.3.6 Battery Backup

VDDBU pin is powered from the 3.3V rail and a backup battery BT1 via a dual Schottky diode D1. Test point TP13 and jumper JP2 are used to perform testing.

Figure 4-9. Backup Battery



Note: Test points (TPn) are provided for easy access to each of the regulated power lines.

4.3.7 Memory

4.3.7.1 DDR2 SDRAM

The SAM9N12/CN11 processor uses DDR2 SDRAM as the system memory. The DDR2 interface uses 1.8V power. The DDR2 chips and SAM9N12/CN11 processor are connected directly. The interface is 1.8V provided by an on-board voltage regulator.

VREF, which is half the interface voltage, or 0.9V, is provided by a simple voltage divider of 1.8V.

- One 1 Gbit DDR2-SDRAM memory (Micron MT47H64M16HR 8Meg*16*8), 16 bits data interface connected to D[0-15].

4.3.7.2 NAND FLASH

The SAM9N12/CN11-EK has native support for NAND Flash memory and implements an 8-bit NAND Flash with 2 Gbits in size.

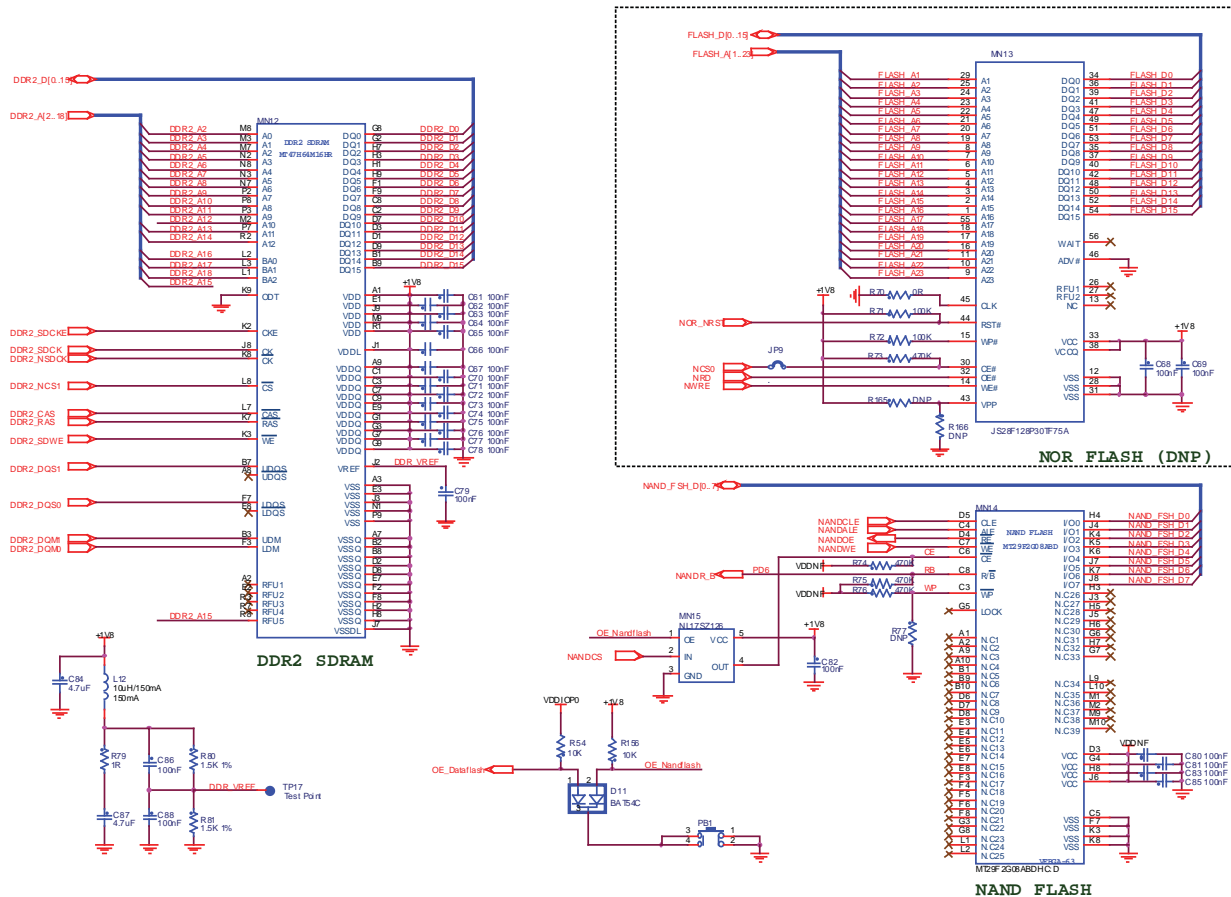
- One 2 Gbits NAND Flash (Micro MT29F2G08ABDHC), 16 bits data interface connected to D[0-15].

4.3.7.3 NOR FLASH

The SAM9N12/CN11-EK provides an optional 128 Mbits of Flash memory using a chip-select signal. The Flash memory is used with the 16-bit port size.

- One reserved position for 128 Mbits NOR Flash (Numonyx JS28F128P30TF75A).

Figure 4-10. External memory



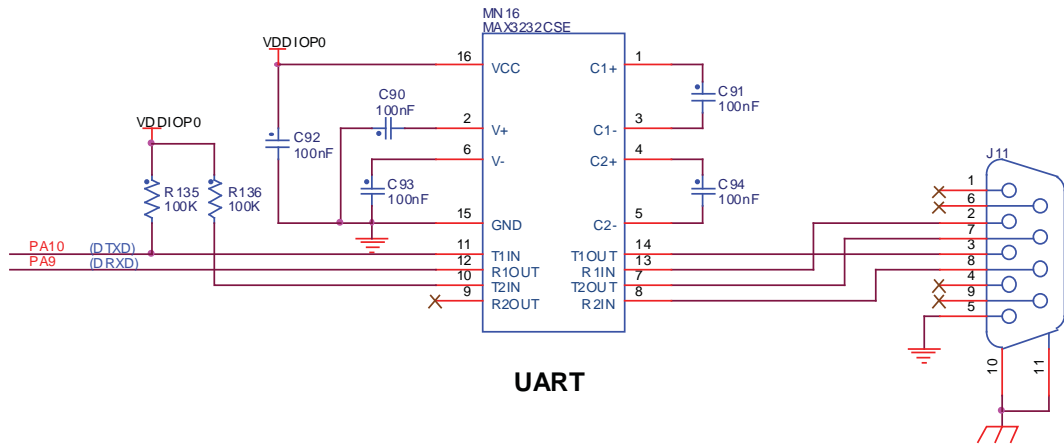
A 3-state buffer is in serial with NAND flash's CE signal, with PB1 to give a manually disable manner for NAND boot.

4.3.8 UART DBGU

The Universal Asynchronous Receiver Transmitter features a two-pin UART that can be used for communication and trace purposes and offers an ideal medium for in-situ programming solutions.

This two-pin UART (TXD and RXD only) is buffered through an RS232 transceiver MN16 and brought to the DB9 male connector J11.

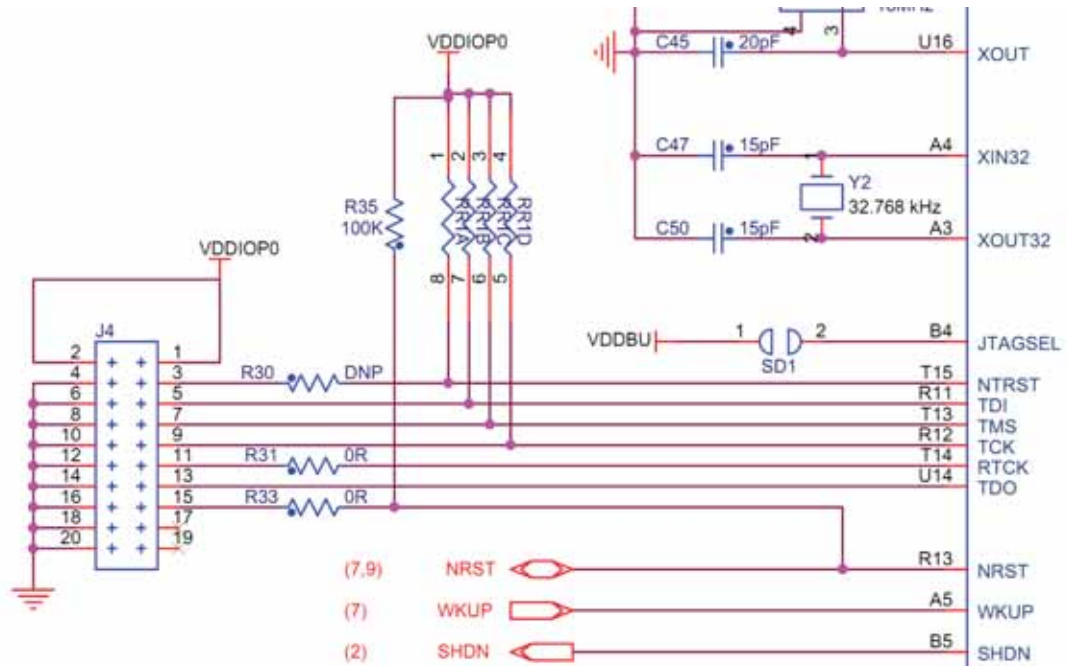
Figure 4-11. UART



4.3.9 JTAG Interface

The SAM9N12/CN11-EK board includes a JTAG interface port (J4), to provide debug level access to the processor. The JTAG port is a 20-pin male connector. This port provides the required interface for in-circuit emulators such as ARM's Multi-ICE.

Figure 4-12. JTAG

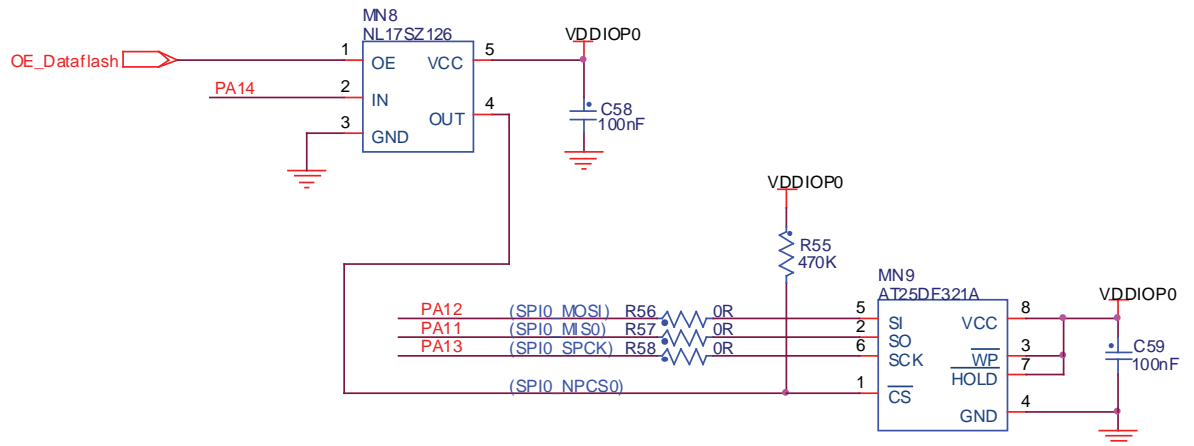


4.3.10 Serial Peripheral Interface (SPI) Controller

The SAM9N12/CN11 serial processor provides two high-speed Serial Peripheral Interface (SPI) controllers. One port is used to interface with the on-board serial DataFlash.

A 3-state buffer is in serial with DataFlash CS signal, with PB1 to give a manually disable manner for DataFlash boot.

Figure 4-13. SPI DataFlash

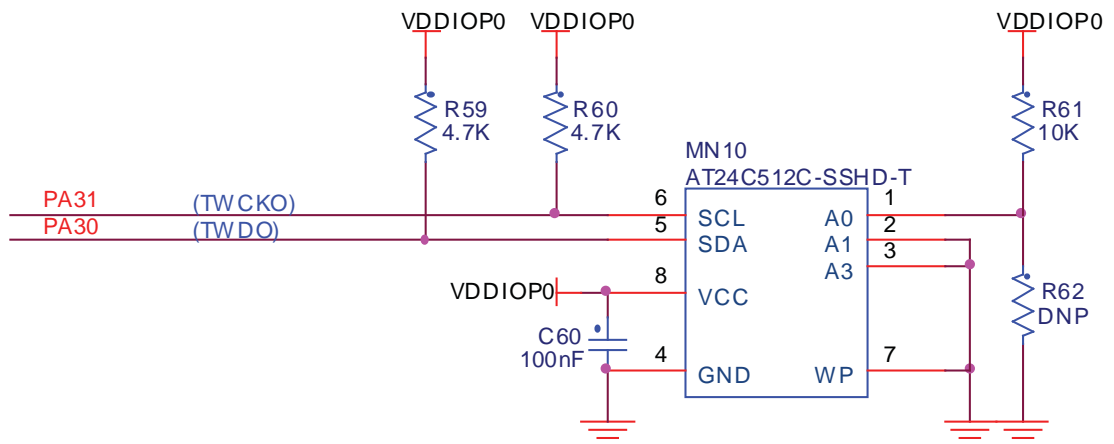


4.3.11 Two Wire Interface (TWI)

The SAM9N12/CN11 processor has two full speed (400 kHz) master/slave I2C serial controllers. The controllers are fully compatible with the industry standard I2C interfaces. On the EK board, TWI0 port is used to interface with serial EEPROM, QTouch device and audio CODEC interface.

SAM9N12/CN11 processor supports TWI EEPROM boot at the device address of 0x50. On board, the EEPROM device address is 0x51. Customer needs to dismount R61 and mount R62 as 10 kohms, if EEPROM boot is needed.

Figure 4-14. EEPROM



4.3.12 USB Ports

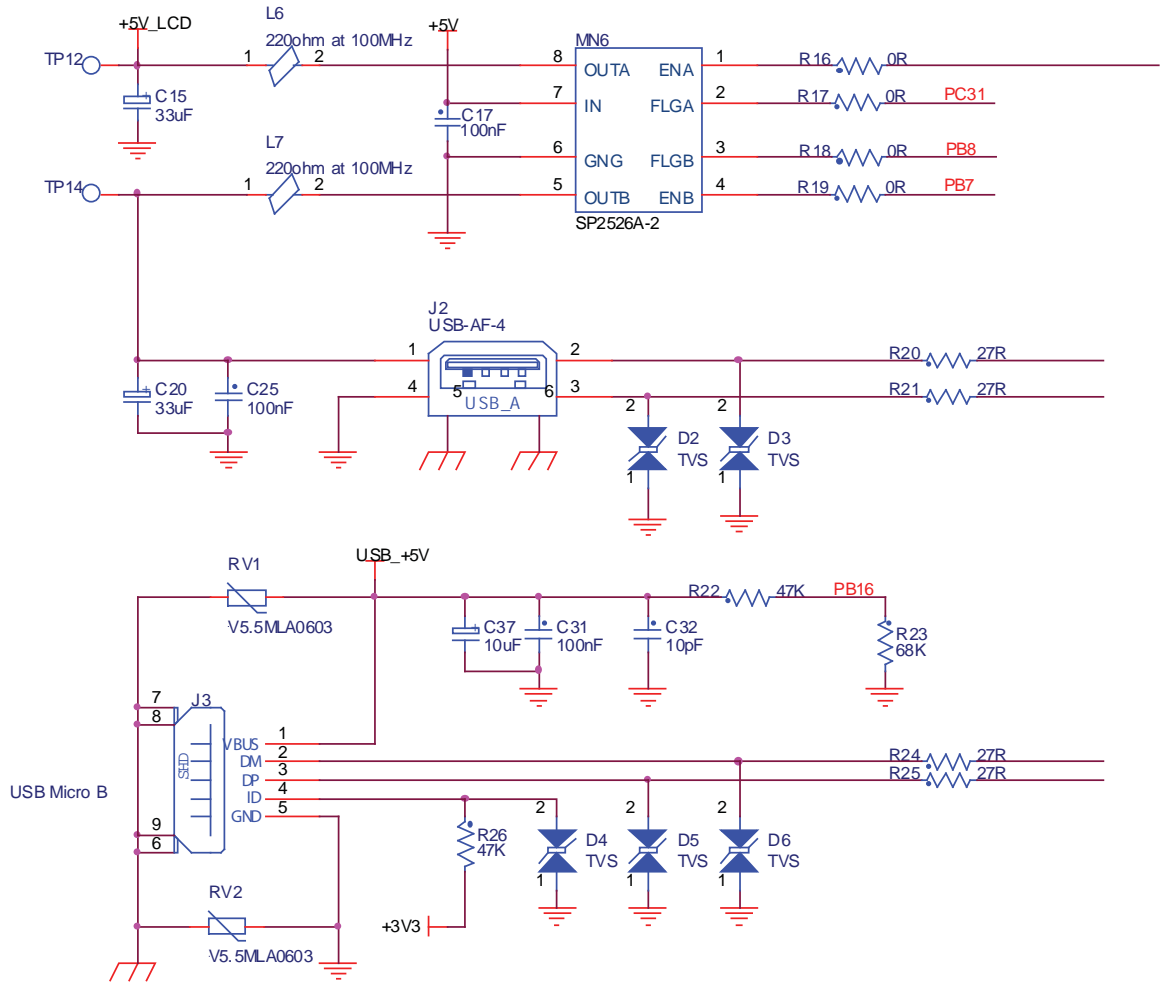
The SAM9N12/CN11-EK features two full speed (OHCI) USB ports:

- Host full speed, type A USB receptacle, J2
- Device full speed, micro B USB receptacle, J3

SAM9N12/CN11-EK features USB power function from device port J3. SW1 functions as switch between USB supply and DC input jack J1.

The USB host ports are equipped with 500 mA power switch for bus-powered applications.

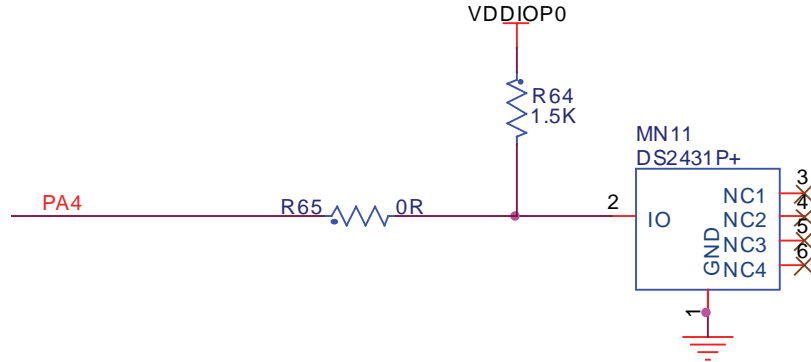
Figure 4-15. USB Port



4.3.13 1-Wire EEPROM

The SAM9N12/CN11 Evaluation Kit uses 1-Wire device as “soft label” to store the information such as chip type, manufacture’s name, production date, etc.

Figure 4-16. 1-Wire

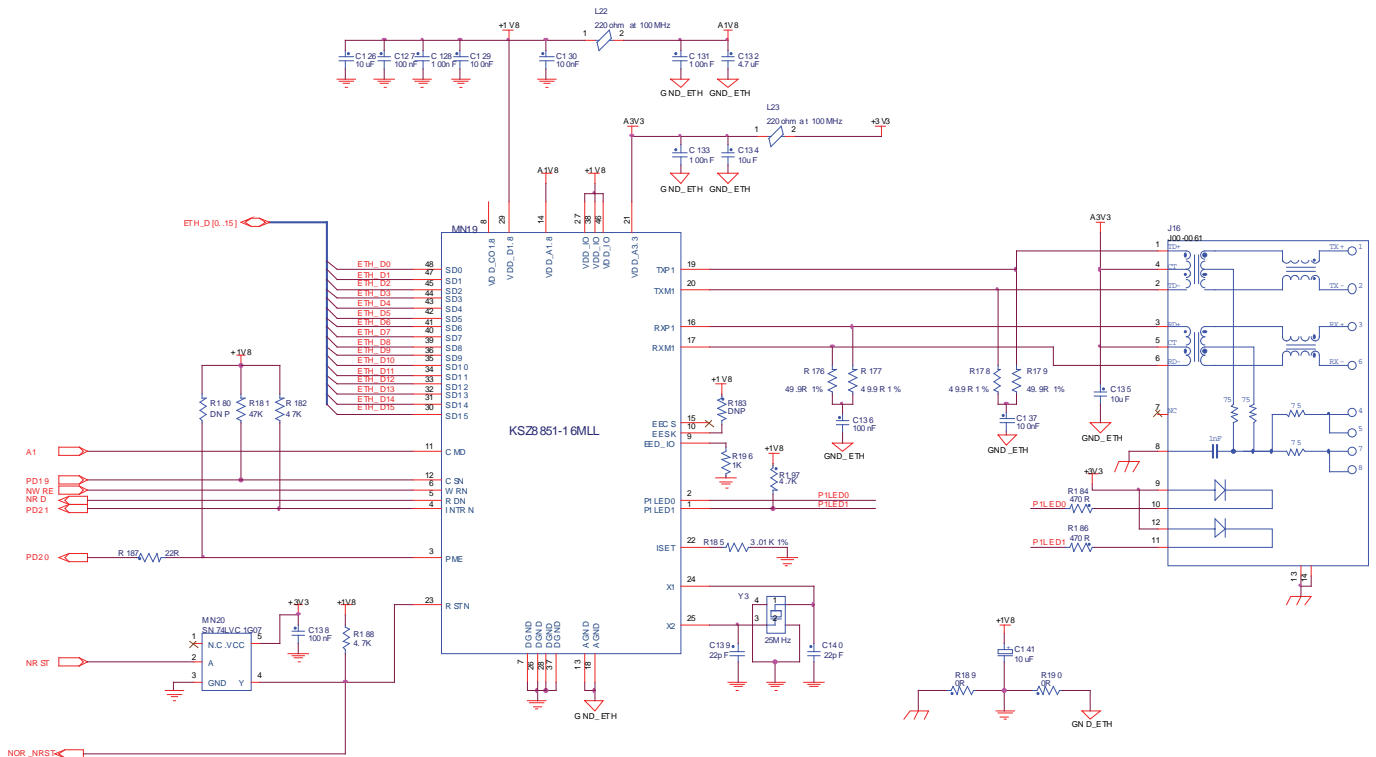


4.3.14 ETH on EBI

The SAM9N12/CN11 Evaluation Kit uses EBI-based 8-bit EMAC controller KSZ8851 to implement a 10/100 Ethernet access. The board integrates an RJ45 connector with embedded transformer, and two status LEDs.

For more information about the Ethernet controller device, refer to the Micrel KSZ8851 manufacturer's datasheet.

Figure 4-17. Ethernet



4.3.15 Audio

The SAM9N12/CN11-EK includes a WM8904 audio CODEC for digital sound input and output. This interface includes features and audio jacks for:

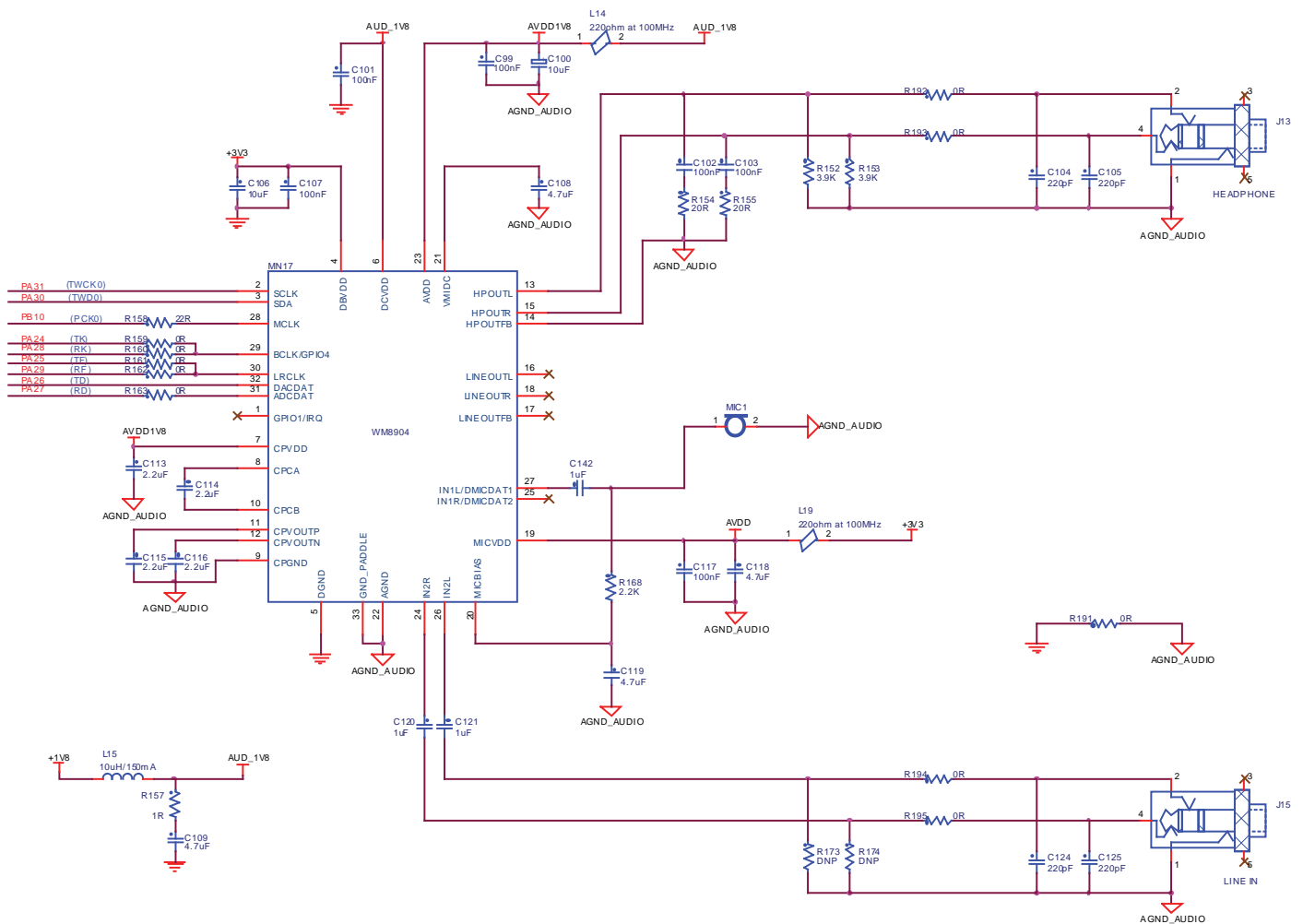
- Line In (J13)
- Headphone output (J15)
- Microphone on board

The SAM9N12/CN11 programmable clock output PCK0 is used to generate the WM8904 master clock (MCLK).

The bit clock is shared; it can be the SSC Transmitter Clock (TK) or the Receiver Clock (RK). The default setting on SAM9N12/CN11-EK is TK and RK shorted together through R159/R160. Please note that trying different ADC/DAC rates would mean different RK/TK rates; this default setting can be modified.

The 0-ohm resistors R159 to R163 have been implemented to offer a disconnection possibility (freeing these dedicated PIO lines for other custom usages).

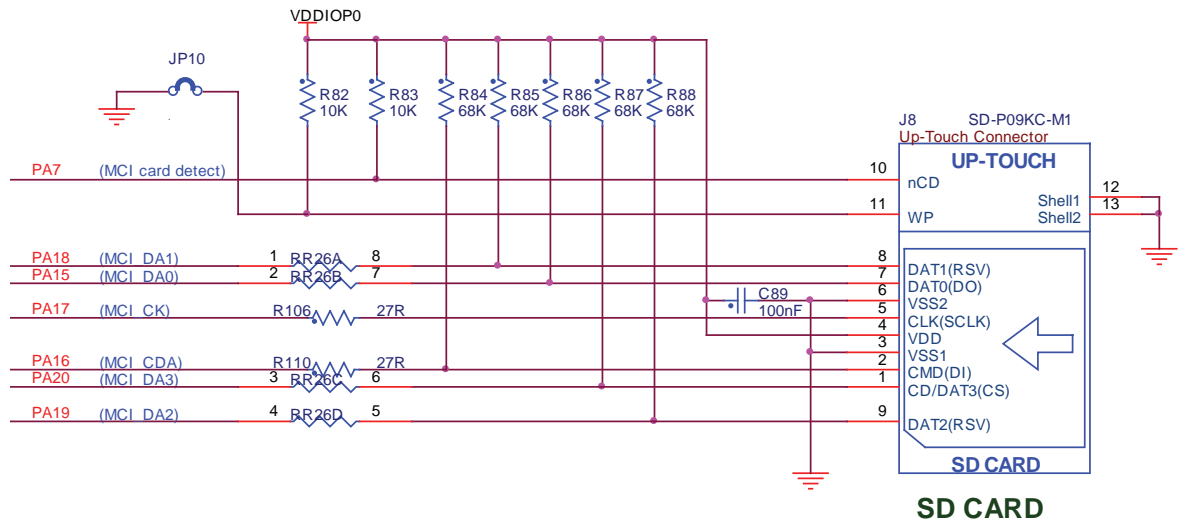
Figure 4-18. Audio CODEC



4.3.16 SD Card

The SAM9N12/CN11 has a high-speed Multimedia Card Interface (MCI). It is used as a 4-bit interface connected to an SD card slot.

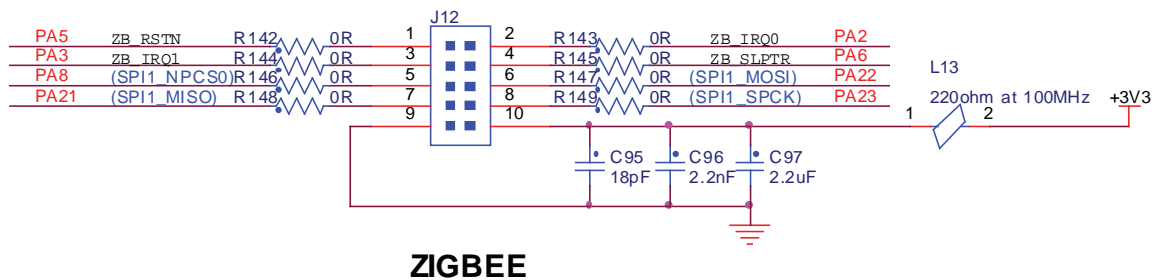
Figure 4-19. SD Card



4.3.17 ZigBee Interface

The EK board has a 10-pin male connector for the Atmel RZ600 ZigBee module. DNP 0-ohm resistors have been implemented in series with the PIO lines that are used elsewhere in the design. Thereby, it enables their individual disconnection, should a conflict occur in user application.

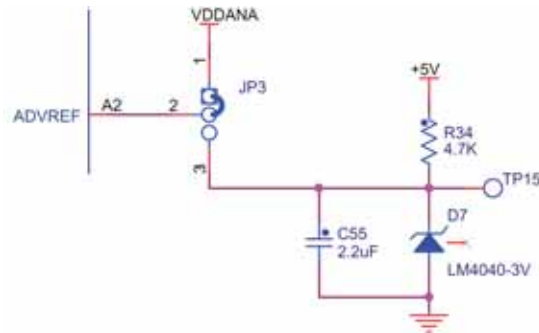
Figure 4-20. ZigBee



4.3.18 Analog Interface

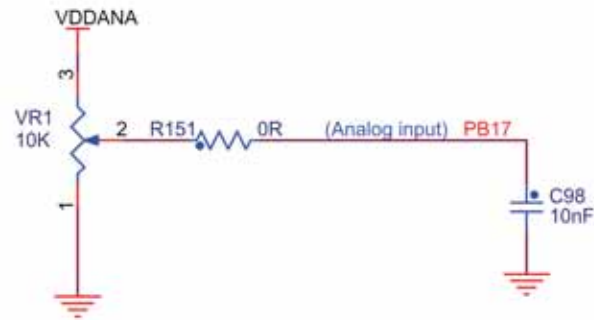
The 3.0V voltage reference is based on an LM4040 (Precision Micropower Shunt Voltage Reference). This ADVREF level can be set as 3.0V or 3.3V via the jumper JP3.

Figure 4-21. Analog Reference



A 10 kohm potentiometer (VR1) is connected to AD6 port PB17 to implement an easy access to ADC programming and debugging (or to implement an analog user control such as display brightness, volume, etc).

Figure 4-22. Potentiometer

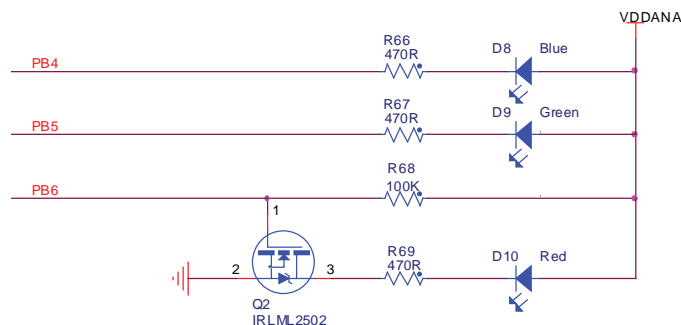


4.3.19 LED Indicators

There are three LEDs for general purpose on the SAM9N12/CN11-EK board:

- D8 blue and D9 green LEDs are user defined and controlled by the GPIO.
- D10 red LED is a power LED indicating that the 3.3V rail is enabled. It can also be controlled by the GPIO (by default, the GPIO is disabled and an on-board pull-up to 3.3V lights the LED).

Figure 4-23. LED



4.3.20 Push Buttons

SAM9N12/CN11-EK has three mechanical push buttons for system application (PB1 to PB3) and one for free use (PB4).

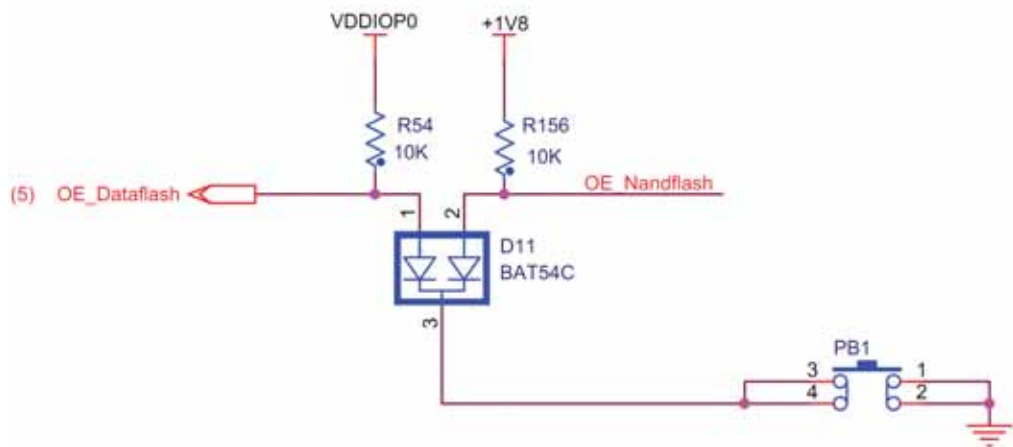
4.3.20.1 PB1 Output Enable Chip Select

Access to the RomBoot:

1. Press simultaneously the PBs OE-CS and NRST
2. Release the PB NRST
3. Then release PB OE-CS

The program boots to the ROM code whatever the contents of the NAND Flash or serial DataFlash. Please refer to SAM9N12/CN11 datasheet boot strategy for details.

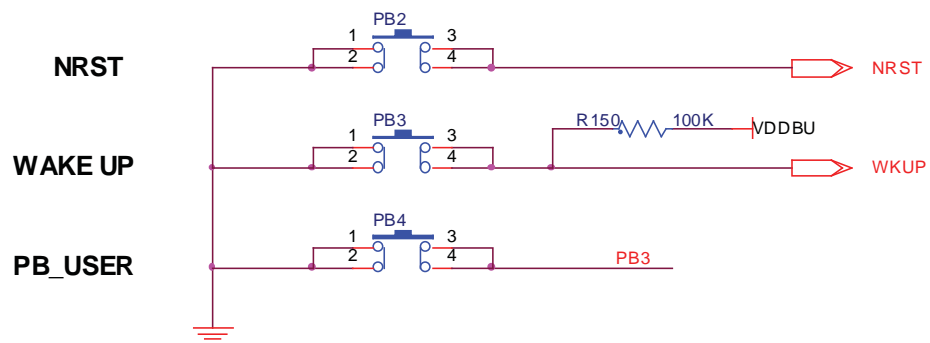
Figure 4-24. PB1



4.3.20.2 PB2 NRST

The NRST pin is bidirectional. It is handled by the on-chip reset controller and can be driven low to provide a reset signal to the external components, or be asserted low externally to reset the microcontroller. It will reset the core and the peripherals except for the backup region.

Figure 4-25. Push Button



4.3.21 Expansion Ports

Most of GPIOs are led to expansion ports J5, J6, J7.

LCD and touch screen connector include J9 and J10 to interface DM board.

Figure 4-26. PIO Expansion Ports

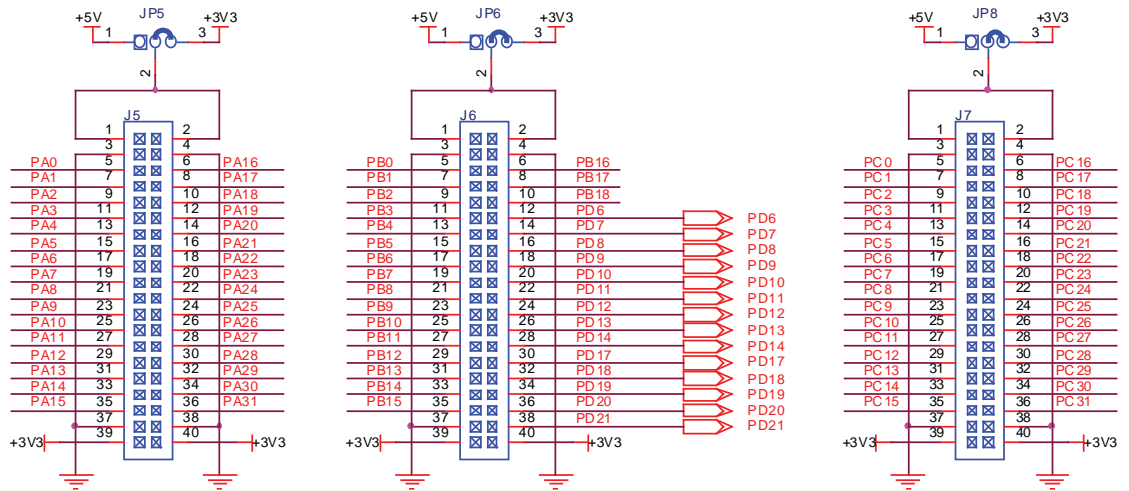
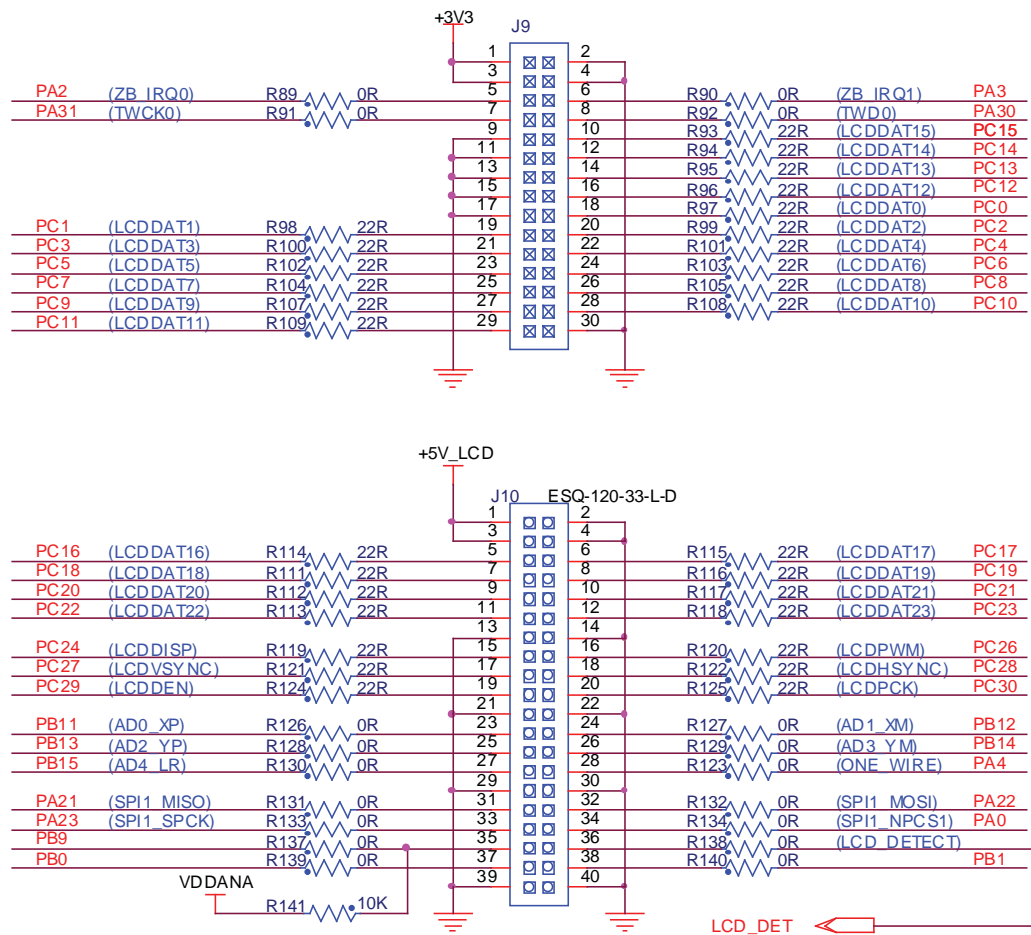


Figure 4-27. LCD Expansion Ports



4.3.22 PIO Usage

■ PIO A Pin Assignment

Table 4-3. PIO A Pin Assignment and Signal Descriptions

Signal	Alternate	Periph A	Periph B	Periph C	
PA0		TXD0	SPI1_NPCS1		(LCD connector)
PA1		RXD0	SPI0_NPCS2		
PA2		RTS0			ZB_IRQ0
PA3		CTS0			ZB_IRQ1
PA4		SCK0			One Wire
PA5		TXD1			ZB_RSTN
PA6		RXD1			ZB_SLPTR
PA7		TXD2	SPI0_NPCS1		MCI card detect
PA8		RXD2	SPI1_NPCS0		ZigBee
PA9		DRXD			DBGU
PA10		DTXD			DBGU
PA11		SPI0_MISO	MCI_DA4		Serial DataFlash
PA12		SPI0_MOSI	MCI_DA5		Serial DataFlash
PA13		SPI0_SPCK	MCI_DA6		Serial DataFlash
PA14		SPI0_NPCS0	MCI_DA7		Serial DataFlash
PA15		MCI_DA0			MCI
PA16		MCI_CDA			MCI
PA17		MCI_CK			MCI
PA18		MCI_DA1			MCI
PA19		MCI_DA2			MCI
PA20		MCI_DA3			MCI
PA21		TIOA0	SPI1_MISO		ZigBee
PA22		TIOA1	SPI1_MOSI		ZigBee
PA23		TIOA2	SPI1_SPCK		ZigBee
PA24		TCLK0	TK		Audio
PA25		TCLK1	TF		Audio
PA26		TCLK2	TD		Audio
PA27		TIOB0	RD		Audio
PA28		TIOB1	RK		Audio
PA29		TIOB2	RF		Audio
PA30		TWD0	SPI1_NPCS3		Audio & LCD connector
PA31		TWCK0	SPI1_NPCS2		Audio & LCD connector

■ PIO B Pin Assignment

Table 4-4. PIO B Pin Assignment and Signal Descriptions

Signal	Alternate	Periph A	Periph B	Periph C	
PB0			RTS2		(LCD connector)
PB1			CTS2		(LCD connector)
PB2			SCK2		JUMPER to GND
PB3			SPI0_NPCS3		PB_USER1
PB4					USER_LED1
PB5					USER_LED2
PB6	AD7				PWR_LED
PB7	AD8				EN5V_HOST
PB8	AD9				OVCUR_USB
PB9	AD10		PCK1		(LCD connector)
PB10	AD11		PCK0		Audio
PB11	AD0		PWM0		TSC
PB12	AD1		PWM1		TSC
PB13	AD2		PWM2		TSC
PB14	AD3		PWM3		TSC
PB15	AD4				(TSC)
PB16	AD5				VBUS_SENSE
PB17	AD6				Analog input
PB18		IRQ	ADTRG		LCDHSYNC (+0R)

■ PIO C Pin Assignment

Table 4-5. PIO C Pin Assignment and Signal Descriptions

Signal	Alternate	Periph A	Periph B	Periph C	
PC0		LCDDAT0		TWD1	LCD
PC1		LCDDAT1		TWCK1	LCD
PC2		LCDDAT2		TIOA3	LCD
PC3		LCDDAT3		TIOB3	LCD
PC4		LCDDAT4		TCLK3	LCD
PC5		LCDDAT5		TIOA4	LCD
PC6		LCDDAT6		TIOB4	LCD
PC7		LCDDAT7		TCLK4	LCD
PC8		LCDDAT8		UTXD0	LCD
PC9		LCDDAT9		URXD0	LCD
PC10		LCDDAT10		PWM0	LCD
PC11		LCDDAT11		PWM1	LCD
PC12		LCDDAT12		TIOA5	LCD
PC13		LCDDAT13		TIOB5	LCD
PC14		LCDDAT14		TCLK5	LCD
PC15		LCDDAT15		PCK0	LCD
PC16		LCDDAT16		UTXD1	LCD
PC17		LCDDAT17		URXD1	LCD
PC18		LCDDAT18		PWM0	LCD
PC19		LCDDAT19		PWM1	LCD
PC20		LCDDAT20		PWM2	LCD
PC21		LCDDAT21		PWM3	LCD
PC22		LCDDAT22	TXD3		LCD
PC23		LCDDAT23	RXD3		LCD
PC24		LCDDISP	RTS3		LCD
PC25			CTS3		EN5V_LCD
PC26		LCDPWM	SCK3		LCD
PC27		LCDVSYNC		RTS1	LCD
PC28		LCDHSYNC		CTS1	LCD
PC29		LCDDEN		SCK1	LCD
PC30		LCDPCK			LCD
PC31		FIQ		PCK1	OVCUR_LCD

■ PIO D Pin Assignment

Table 4-6. PIO D Pin Assignment and Signal Descriptions

Signal	Alternate	Periph A	Periph B	Periph C	
PD0		NANDOE			NAND Flash
PD1		NANDWE			NAND Flash
PD2		A21/NANDALE			NAND Flash
PD3		A22/NANDCLE			NAND Flash
PD4		NCS3			NAND Flash
PD5		NWAIT			
PD6		D16			NAND Flash
PD7		D17			NAND Flash
PD8		D18			NAND Flash
PD9		D19			NAND Flash
PD10		D20			NAND Flash
PD11		D21			NAND Flash
PD12		D22			NAND Flash
PD13		D23			NAND Flash
PD14		D24			
PD15		D25	A20		
PD16		D26	A23		
PD17		D27	A24		
PD18		D28	A25		
PD19		D29	NCS2		
PD20		D30	NCS4		
PD21		D31	NCS5		ETH INT

4.4 Connectors

4.4.1 Power Supply

Figure 4-28. Power Supply Connector J1

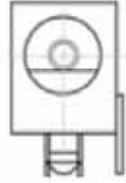


Table 4-7. Power Supply Connector J1 Signal Descriptions

Pin	Mnemonic	Signal description
1	Center	+5V
2		Floating
3		GND

4.4.2 JTAG/ICE Connector

Figure 4-29. JTAG J4

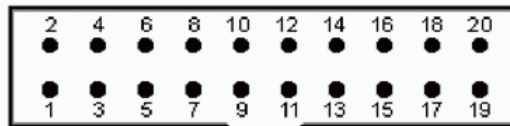


Table 4-8. JTAG/ICE Connector J4 Signal Descriptions

Pin	Mnemonic	Signal Description
1	V _{Tref} . 3.3V power	This is the target reference voltage. It is used to check if the target has power, to create the logic-level reference for the input comparators, and to control the output logic levels to the target. It is normally fed from VDD on the target board and must not have a series resistor.
2	V _{supply} . 3.3V power	This pin is not connected in SAM-ICE. It is reserved for compatibility with other equipment. Connect to VDD or leave open in target system.
3	nTRST TARGET RESET - Active-low output signal that resets the target	JTAG Reset. Output from SAM-ICE to the reset signal on the target JTAG port. Typically connected to nTRST on the target CPU. This pin is normally pulled HIGH on the target to avoid unintentional resets when there is no connection.
4	GND	Common ground.

Table 4-8. JTAG/ICE Connector J4 Signal Descriptions

5	TDI TEST DATA INPUT - Serial data output line, sampled on the rising edge of the TCK signal.	JTAG data input of target CPU. It is recommended that this pin is pulled to a defined state on the target board. Typically connected to TDI on target CPU.
6	GND	Common ground.
7	TMS TEST MODE SELECT	JTAG mode set input of target CPU. This pin should be pulled up on the target. Typically connected to TMS on target CPU. Output signal that sequences the target's JTAG state machine, sampled on the rising edge of the TCK signal.
8	GND	Common ground.
9	TCK TEST CLOCK - Output timing signal, for synchronizing test logic and control register access.	JTAG clock signal to target CPU. It is recommended that this pin is pulled to a defined state on the target board. Typically connected to TCK on target CPU.
10	GND	Common ground.
11	RTCK - Input return test clock signal from the target.	Some targets must synchronize the JTAG inputs to internal clocks. To assist in meeting this requirement, a returned and retimed TCK can be used to dynamically control the TCK rate. SAM-ICE supports adaptive clocking which waits for TCK changes to be echoed correctly before making further changes. Connect to RTCK if available, otherwise to GND.
12	GND	Common ground.
13	TDO JTAG TEST DATA OUTPUT - Serial data input from the target.	JTAG data output from target CPU. Typically connected to TDO on target CPU.
14	GND	Common ground.
15	nSRST RESET	Active-low reset signal. Target CPU reset signal.
16	GND	Common ground.
17	RFU	This pin is not connected in SAM-ICE.
18	GND	Common ground
19	RFU	This pin is not connected in SAM-ICE
20	GND	Common ground

4.4.3 DBGU

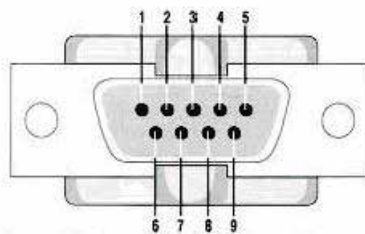
Figure 4-30. DBGU Connector J11

Table 4-9. DBGU Connector J11 Signal Descriptions

Pin	Mnemonic	PIO (Via translator)	Description
1, 4, 6, 9			No connection
2	RXD (Received Data)	PA9	RS232 serial data output signal
3	TXD (Transmitted Data)	PA10	RS232 serial data input signal
5	GND		Common ground
7	RTS (Request To Send)		Not used
8	CTS (Clear To Send)		Not used
Mechanical pins			Shield

4.4.4 USB MicroB

Figure 4-31. USB Device Micro B Connector J3

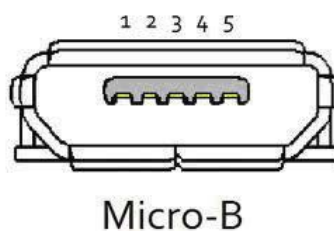


Table 4-10. USB Device Micro B Connector J3 Signal Descriptions

Pin	Mnemonic	Description
1	Vbus	5V power
2	DM	Data minus
3	DP	Data plus
4	ID	On the go identification
5	GND	Common ground
6, 7, 8, 9	Shield	Mechanical pins

4.4.5 USB Type A port

Figure 4-32. USB Type A Port J2

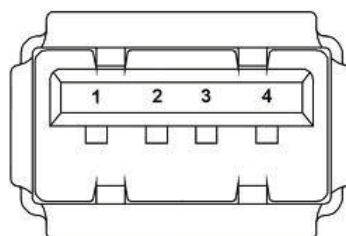


Table 4-11. USB Type A Port J2 Signal Descriptions

Pin	Mnemonic	Description
1	Vbus	5V power
2	DM	Data minus
3	DP	Data plus
4	GND	Common ground
5, 6	Shield	Mechanical pins

4.4.6 SD Card MCI

Figure 4-33. SD/MMC Socket J8

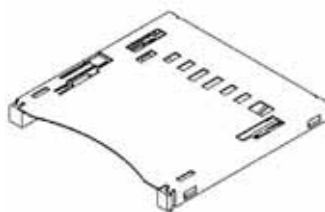


Table 4-12. SD Socket J8 Signal Descriptions

Pin	Function	PIO
1	MCI_DA3	PA20
2	MCI_CMD	PA16
3	GND	
4	VDDIOP0	
5	MCI_CLK	PA17
6	GND	
7	MCI_DA0	PA15
8	MCI_DA1	PA18
9	MCI_DA2	PA19
10	MCI_CD	PA7
11	WP	
12	GND	
13	GND	

4.4.7 Ethernet RJ45 Socket

Figure 4-34. Ethernet RJ45 Socket J16

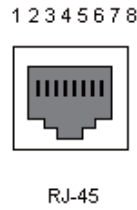


Table 4-13. RJ45 Socket J16 Signal Descriptions

Pin	Mnemonic	Description
1	TX+	Differential output plus
2	TX-	Differential output minus
3	RX+	Differential input plus
4	Reserved	
5	Reserved	
6	RX-	Differential input minus
7	Reserved	
8	Reserved	

4.4.8 Zigbee Socket J12

Figure 4-35. Zigbee Socket J12

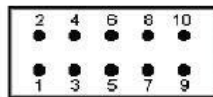


Table 4-14. Zigbee Socket J12 Signal Descriptions

Function	Signal Name	Port	Pin	Pin	Port	Signal Name	Function
Reset	/RST		1	2		IRQ0	Interrupt Request
Interrupt Request	IRQ1		3	4		SLP_TR	SLP_TR
SPI chip select	/CS		5	6		MOSI	SPI MOSI
SPI MISO	MISO		7	8		SCLK	SPI CLK
Power Supply	GND	GND	9	10	VCC	VCC	VCC

4.4.9 LCD Socket

Figure 4-36. LCD Socket J9

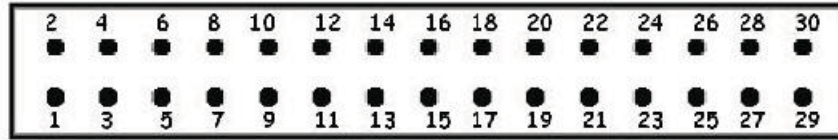


Table 4-15. LCD Socket J9 Signal Descriptions

LCD	ISI	Pin Num	Pin Num	ISI	LCD
3V3	3V3	1	2	GND	GND
VDDISI	VDDISI	3	4	GND	GND
ZB_IRQ0	ZB_IRQ0	5	6		ZB_IRQ1
TWCK0	TWCK0	7	8		TWD0
GND	GND	9	10	ISI_MCK	LCDDAT15
GND	GND	11	12	ISI_VSYNC	LCDDAT13
GND	GND	13	14	ISI_HSYNC	LCDDAT14
GND	GND	15	16	ISI_PCK	LCDDAT12
GND	GND	17	18	ISI_D0	LCDDAT0
LCDDAT1	ISI_D1	19	20	ISI_D2	LCDDAT2
LCDDAT3	ISI_D3	21	22	ISI_D4	LCDDAT4
LCDDAT5	ISI_D5	23	24	ISI_D6	LCDDAT6
LCDDAT7	ISI_D7	25	26	ISI_D8	LCDDAT8
LCDDAT9	ISI_D9	27	28	ISI_D10	LCDDAT10
LCDDAT11	ISI_D11	29	30	GND	GND

Figure 4-37. LCD Socket J10

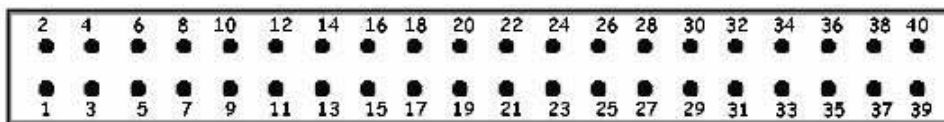


Table 4-16. LCD Socket J10 Signal Descriptions

LCD		Pin Num	Pin Num		LCD
5V	5V_INTER	1	2	GND	GND
5V	5V_INTER	3	4	GND	GND
LCDDAT16		5	6		LCDDAT17
LCDDAT18		7	8		LCDDAT19
LCDDAT20		9	10		LCDDAT21
LCDDAT22		11	12		LCDDAT23
GND	GND	13	14	GND	GND
LCDDISP		15	16		LCDPWM
LCDCSYNC		17	18		LCDHSYNC
LCDDEN		19	20		LCDPCK
GND	GND	21	22	GND	GND
AD0_XP	TSC	23	24	TSC	AD1_XM
AD2_YP	TSC	25	26	TSC	AD3_YM
AD4_LR	TSC	27	28		ONE_WIRE
GND	GND	29	30	GND	GND
SPI1_MISO		31	32		SPI1_MOSI
SPI1_SPCK		33	34		SPI1_NPCS1
EN_PWRLCD	SELCONFIG	35	36	LCD_DETECT	LCD_DETECT#
PD16		37	38		PD17
GND	GND	39	40	GND	GND

4.4.10 IO Expansion Port

Figure 4-38. IO Expansion Socket J5

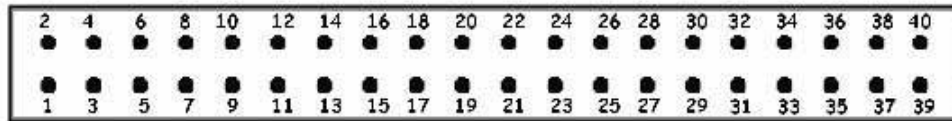


Table 4-17. IO Expansion Socket J5 Signal Descriptions

PIO	Power	Pin Num	Pin Num	Power	PIO
	3V3, or 5V	1	2	3V3, or 5V	
	GND	3	4	GND	
PA0		5	6		PA16
PA1		7	8		PA17
PA2		9	10		PA18
PA3		11	12		PA19
PA4		13	14		PA20
PA5		15	16		PA21
PA6		17	18		PA22
PA7		19	20		PA23
PA8		21	22		PA24
PA9		23	24		PA25
PA10		25	26		PA26
PA11		27	28		PA27
PA12		29	30		PA28
PA13		31	32		PA29
PA14		33	34		PA30
PA15		35	36		PA31
	GND	37	38	GND	
	3V3	39	40	3V3	

Figure 4-39. IO Expansion Socket J6

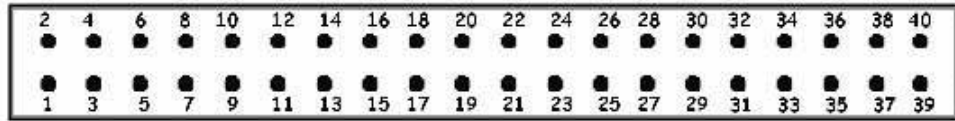


Table 4-18. IO Expansion Socket J6 Signal Descriptions

PIO	Power	Pin Num	Pin Num	Power	PIO
	3V3, or 5V	1	2	3V3, or 5V	
	GND	3	4	GND	
PB0		5	6		PB16
PB1		7	8		PB17
PB2		9	10		PB18
PB3		11	12		PD6
PB4		13	14		PD7
PB5		15	16		PD8
PB6		17	18		PD9
PB7		19	20		PD10
PB8		21	22		PD11
PB9		23	24		PD12
PB10		25	26		PD13
PB11		27	28		PD14
PB12		29	30		PD17
PB13		31	32		PD18
PB14		33	34		PD19
PB15		35	36		PD20
	GND	37	38		PD21
	3V3	39	40	3V3	

Figure 4-40. IO Expansion Socket J7

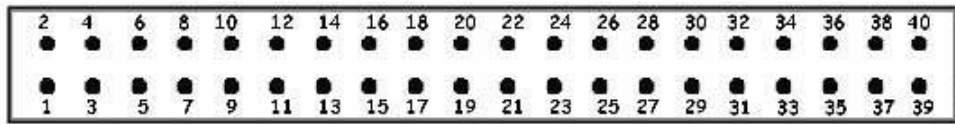


Table 4-19. IO Expansion Socket J7 Signal Descriptions

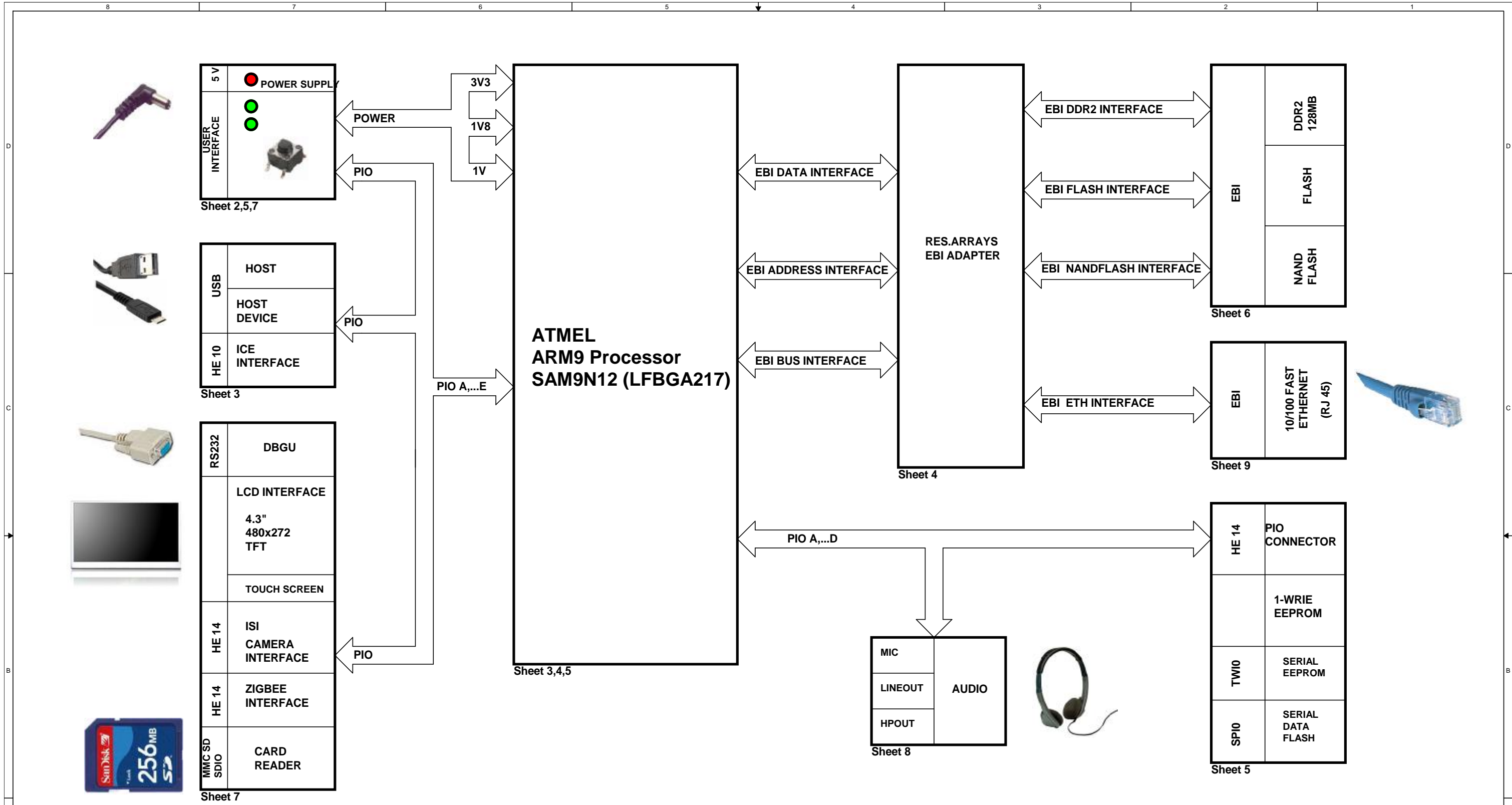
PIO	Power	Pin Num	Pin Num	Power	PIO
	3V3, or 5V	1	2	3V3, or 5V	
	GND	3	4	GND	
PC0		5	6		PC16
PC1		7	8		PC17
PC2		9	10		PC18
PC3		11	12		PC19
PC4		13	14		PC20
PC5		15	16		PC21
PC6		17	18		PC22
PC7		19	20		PC23
PC8		21	22		PC24
PC9		23	24		PC25
PC10		25	26		PC26
PC11		27	28		PC27
PC12		29	30		PC28
PC13		31	32		PC29
PC14		33	34		PC30
PC15		35	36		PC31
	GND	37	38	GND	
	3V3	39	40	3V3	



5.1 SAM9N12-EK Schematics

This section contains the following schematics:

- Top Level
- Power Supply
- AT91SAM9N12
- EBI Interface
- PIO Interfaces
- DDR2 NAND Flash
- Serial Interfaces
- Audio
- ETH

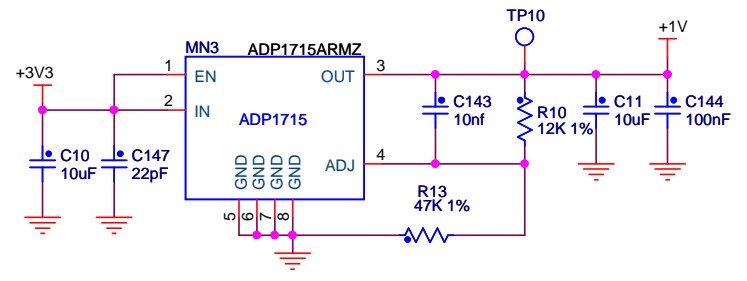
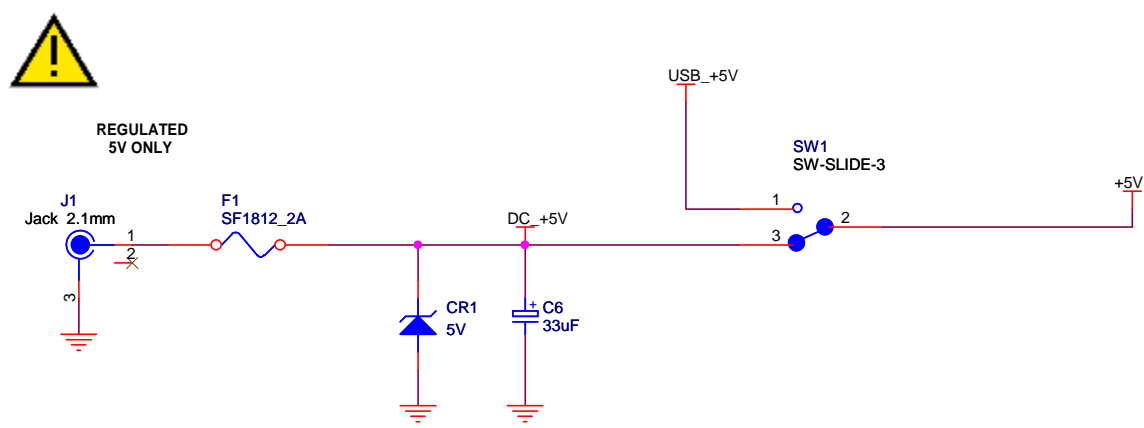
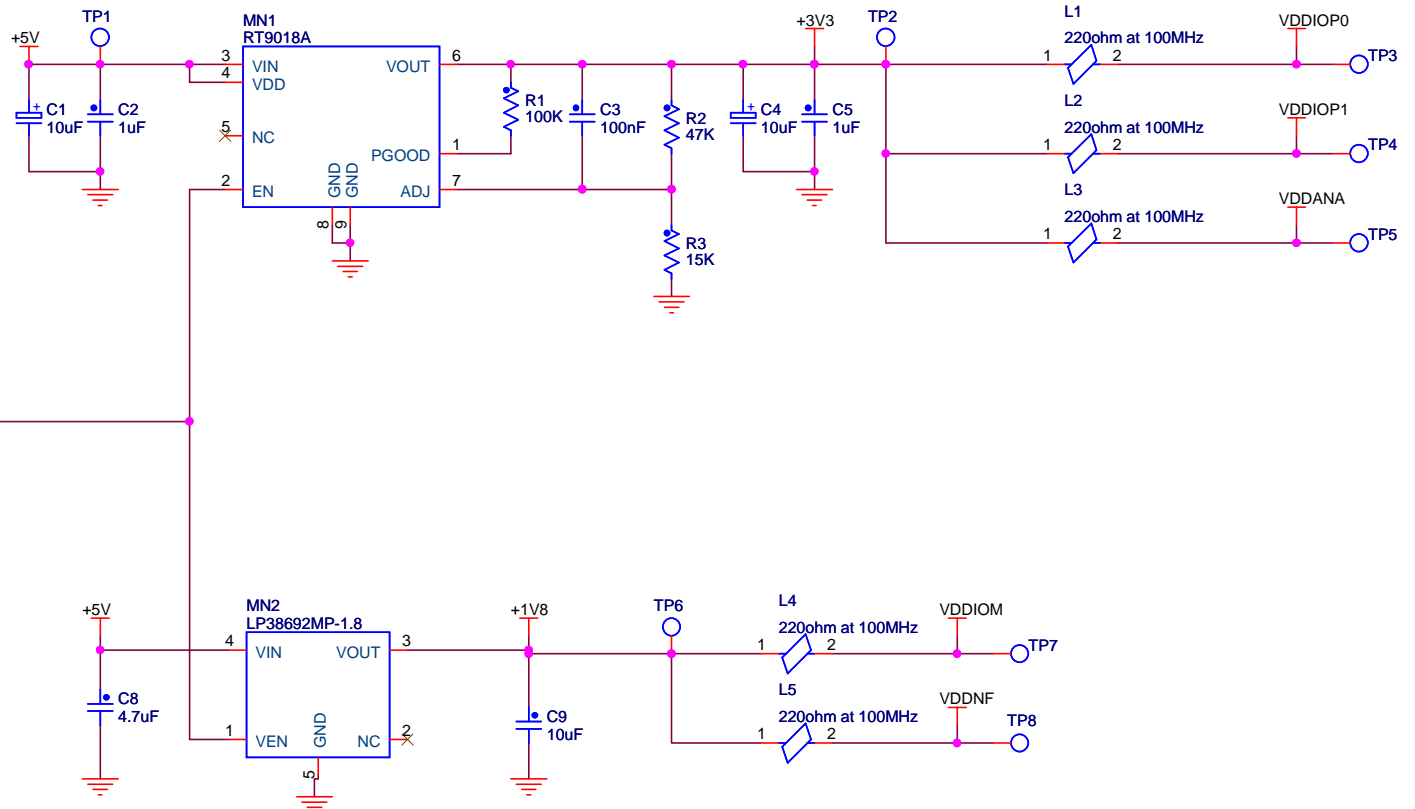
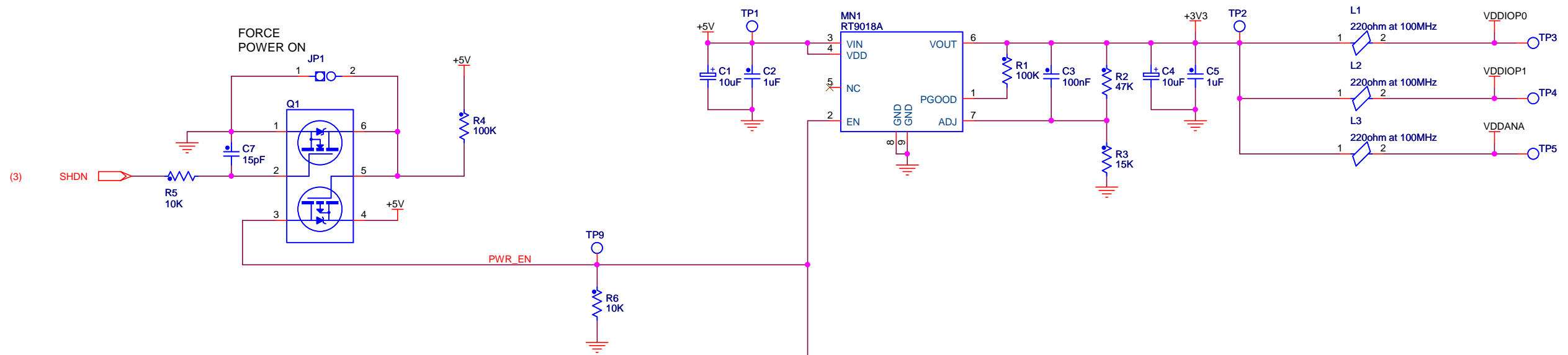


NOTE
"DNP" means the component is not populated by default

PIO MUXING											
PIOA	USAGE	PIOA	USAGE	PIOB	USAGE	PIOB	USAGE	PIOC	USAGE	PIOC	USAGE
PA0	TXD0	PA16	MCI_CDA	PB0	--	PB16	VBUS_SENSE	PC0	LCDDAT0	PC16	LCDDAT16
PA1	RXD0	PA17	MCI_CK	PB1	--	PB17	AD6	PC1	LCDDAT1	PC17	LCDDAT17
PA2	ZB_IRQ0	PA18	MCI_DA1	PB2	ROM_CODE	PB18	ADTRG	PC2	LCDDAT2	PC18	LCDDAT18
PA3	ZB_IRQ1	PA19	MCI_DA2	PB3	PB_USER1			PC3	LCDDAT3	PC19	LCDDAT19
PA4	One Wire	PA20	MCI_DA3	PB4	USER_LED1			PC4	LCDDAT4	PC20	LCDDAT20
PA5	ZB_RSTN	PA21	SPI1_MISO	PB5	USER_LED2			PC5	LCDDAT5	PC21	LCDDAT21
PA6	ZB_SLPTR	PA22	SPI1_MOSI	PB6	PWR_LE			PC6	LCDDAT6	PC22	LCDDAT22
PA7	MCI_card_detect	PA23	SPI1_SPCK	PB7	EN5V_HOST			PC7	LCDDAT7	PC23	LCDDAT23
PA8	SPI1_NPCS0	PA24	TK	PB8	OVCUR_USB			PC8	LCDDAT8	PC24	LCDDISP
PA9	DRXD	PA25	TF	PB9	--			PC9	LCDDAT9	PC25	EN5V_LCD
PA10	DTXD	PA26	TD	PB10	PCK0			PC10	LCDDAT10	PC26	LCDPWM
PA11	SPI0_MISO	PA27	RD	PB11	AD0			PC11	LCDDAT11	PC27	LCVSYNC
PA12	SPI0_MOSI	PA28	RK	PB12	AD1			PC12	LCDDAT12	PC28	LCDSYNC
PA13	SPI0_SPCK	PA29	RF	PB13	AD2			PC13	LCDDAT13	PC29	LCDDEN
PA14	SPI0_NPCS0	PA30	TWD0	PB14	AD3			PC14	LCDDAT14	PC30	LCDPCK
PA15	MCI_DA0	PA31	TWCKO	PB15	AD4			PC15	LCDDAT15	PC31	OVCUR_LCD
										PD0	NANDOE
										PD1	NANDWE
										PD2	NANDALE/A21
										PD3	NANDCLE
										PD4	NANDCS
										PD5	NWAIT
										PD6	D16
										PD7	D17
										PD8	D18
										PD9	D19
										PD10	D20
										PD11	D21
										PD12	D22
										PD13	D23
										PD14	D24
										PD15	A20
										PD16	D26
										PD17	D27
										PD18	D28
										PD19	NCS2
										PD20	D30
										PD21	D31

C	NOR NRST	25-NOV-11	XXX	XX-XXX-XX	
B	EBI	25-SEP-11	XXX	XX-XXX-XX	
A	INIT EDIT	20-AUG-11	XXX	XX-XXX-XX	
REV	MODIF.	DES.	DATE	VER.	DATE
SAM9N12-EK_RevC		SCALE 1/1		REV. C	SHEET 1/9
BGA217					
TOP LEVEL					

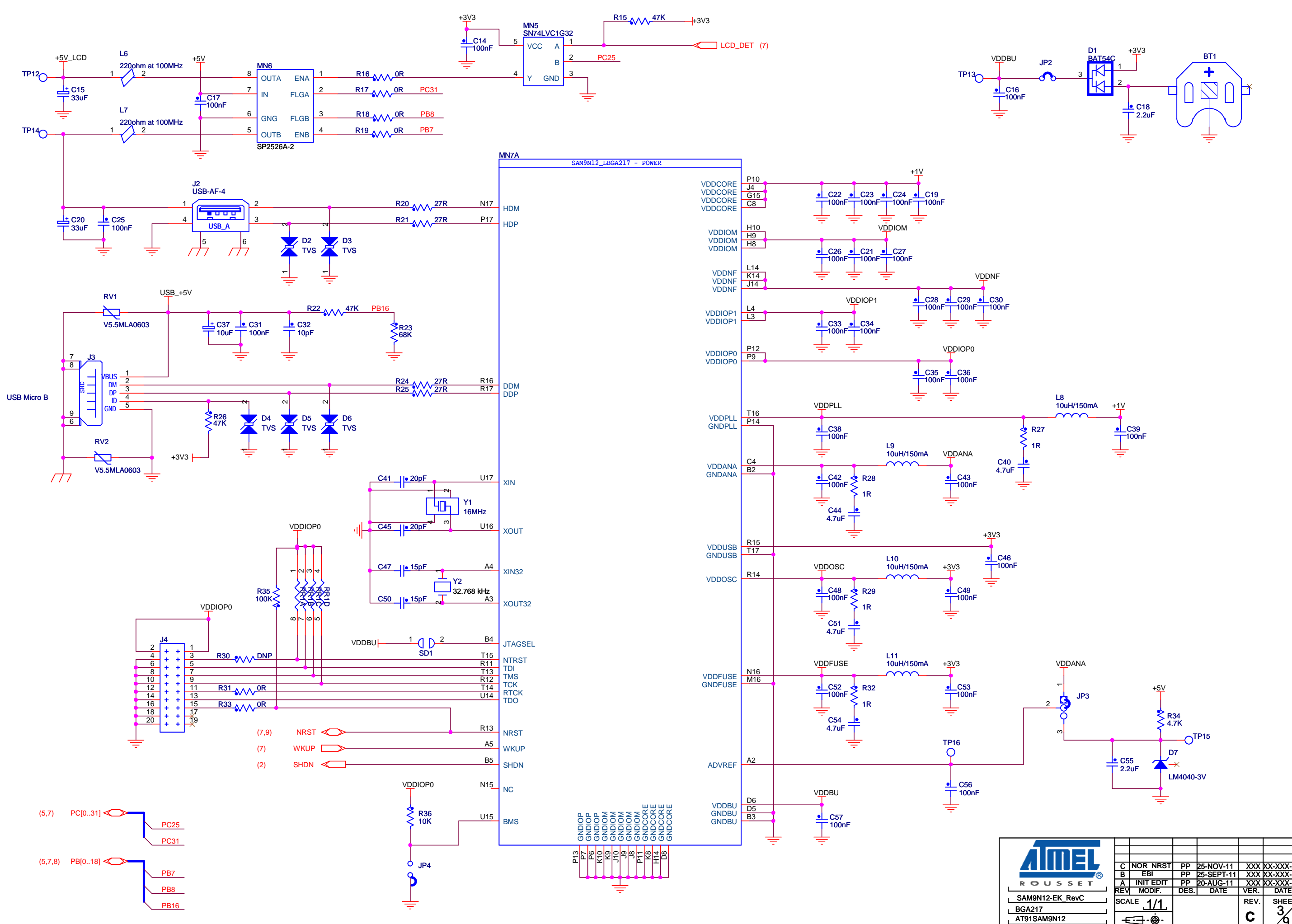
This agreement is our property. Reproduction and publication without our written authorization shall expose offender to legal proceedings.



VOUT = 0.8V x (Rtop + Rbottom)/Rbottom

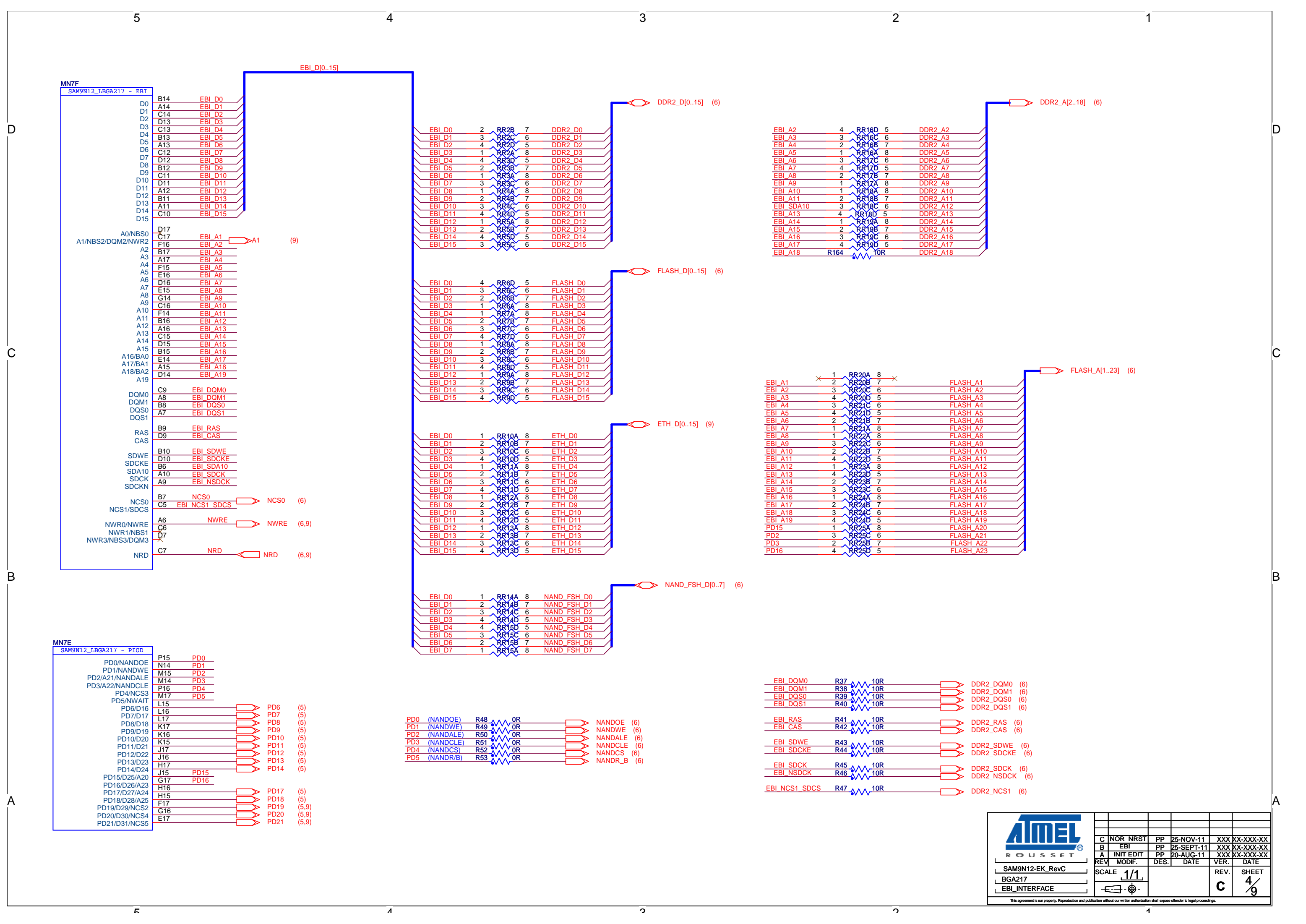
		C	NOR NRST	PP	25-NOV-11	XXX	XX-XXX-XX
		B	EBI	PP	25-SEPT-11	XXX	XX-XXX-XX
SAM9N12-EK_RevC BGA217 POWER SUPPLY		A	INIT EDIT	PP	20-AUG-11	XXX	XX-XXX-XX
		REV	MODIF.	DES.	DATE	VER.	DATE
SCALE 1/1		REV. C		SHEET 2/9			

This agreement is our property. Reproduction and publication without our written authorization shall expose offender to legal proceedings.



		REV	MODIF.	DES.	DATE	VER.	DATE
		C	NOR NRST	PP	25-NOV-11	XXX	XX-XXX-XX
SAM9N12-EK_RevC BGA217 AT91SAM9N12		A	INIT EDIT	PP	20-AUG-11	XXX	XX-XXX-XX
		SCALE	1/1			REV.	SHEET
						C	3/9

This agreement is our property. Reproduction and publication without our written authorization shall expose offender to legal proceedings.



MN7F
SAM9N12_LBGA217 - EBI

D0	B14	EBI_D0
D1	A14	EBI_D1
D2	C14	EBI_D2
D3	D13	EBI_D3
D4	C13	EBI_D4
D5	B13	EBI_D5
D6	A13	EBI_D6
D7	C12	EBI_D7
D8	D12	EBI_D8
D9	B12	EBI_D9
D10	C11	EBI_D10
D11	D11	EBI_D11
D12	A12	EBI_D12
D13	B11	EBI_D13
D14	A11	EBI_D14
D15	C10	EBI_D15
A0/NBS0	D17	EBI_A1
A1/NBS2/DQM2/NWR2	C17	EBI_A2
A2	B17	EBI_A3
A3	A17	EBI_A4
A4	F15	EBI_A5
A5	E16	EBI_A6
A6	D16	EBI_A7
A7	E15	EBI_A8
A8	G14	EBI_A9
A9	C16	EBI_A10
A10	F14	EBI_A11
A11	B16	EBI_A12
A12	A16	EBI_A13
A13	C15	EBI_A14
A14	D15	EBI_A15
A15	B15	EBI_A16
A16/BA0	E14	EBI_A17
A17/BA1	A15	EBI_A18
A18/BA2	D14	EBI_A19
A19		
DQM0	C9	EBI_DQM0
DQM1	A8	EBI_DQM1
DQS0	B8	EBI_DQS0
DQS1	A7	EBI_DQS1
RAS	B9	EBI_RAS
CAS	D9	EBI_CAS
SDWE	B10	EBI_SDWE
SDCKE	D10	EBI_SDCKE
SDA10	B6	EBI_SDA10
SDCK	A10	EBI_SDCK
SDCKN	A9	EBI_NSDCK
NCS0	B7	NCS0
NCS1/SDCS	C5	EBI_NCS1_SDCS
NWR0/NWRE	A6	NWRE
NWR1/NBS1	C6	
NWR3/NBS3/DQM3	D7	
NRD	C7	NRD

MN7E
SAM9N12_LBGA217 - PIOD

P15	PD0
N14	PD1
M15	PD2
M14	PD3
P16	PD4
M17	PD5
L15	
PD6/D16	PD6 (5)
PD7/D17	PD7 (5)
PD8/D18	PD8 (5)
PD9/D19	PD9 (5)
PD10/D20	PD10 (5)
PD11/D21	PD11 (5)
PD12/D22	PD12 (5)
PD13/D23	PD13 (5)
PD14/D24	PD14 (5)
PD15/D25/A20	PD15
PD16/D26/A23	PD16
PD17/D27/A24	
PD18/D28/A25	H16
PD19/D29/NCS2	H15
PD20/D30/NCS4	F17
PD21/D31/NCS5	G16
	E17
	PD17 (5)
	PD18 (5)
	PD19 (5,9)
	PD20 (5,9)
	PD21 (5,9)

EBI D[0..15] to DDR2_D[0..15] (6)

EBI_D0	2	RR2B	7	DDR2_D0
EBI_D1	3	RR2C	6	DDR2_D1
EBI_D2	4	RR2D	5	DDR2_D2
EBI_D3	1	RR2A	8	DDR2_D3
EBI_D4	4	RR3D	5	DDR2_D4
EBI_D5	2	RR3B	7	DDR2_D5
EBI_D6	1	RR3A	8	DDR2_D6
EBI_D7	3	RR3C	6	DDR2_D7
EBI_D8	1	RR4A	8	DDR2_D8
EBI_D9	2	RR4B	7	DDR2_D9
EBI_D10	3	RR4C	6	DDR2_D10
EBI_D11	4	RR4D	5	DDR2_D11
EBI_D12	1	RR5A	8	DDR2_D12
EBI_D13	2	RR5B	7	DDR2_D13
EBI_D14	4	RR5D	5	DDR2_D14
EBI_D15	3	RR5C	6	DDR2_D15

EBI D[0..15] to FLASH_D[0..15] (6)

EBI_D0	4	RR6D	5	FLASH_D0
EBI_D1	3	RR6C	6	FLASH_D1
EBI_D2	2	RR6B	7	FLASH_D2
EBI_D3	1	RR6A	8	FLASH_D3
EBI_D4	1	RR7A	8	FLASH_D4
EBI_D5	2	RR7B	7	FLASH_D5
EBI_D6	3	RR7C	6	FLASH_D6
EBI_D7	4	RR7D	5	FLASH_D7
EBI_D8	1	RR8A	8	FLASH_D8
EBI_D9	2	RR8B	7	FLASH_D9
EBI_D10	3	RR8C	6	FLASH_D10
EBI_D11	4	RR8D	5	FLASH_D11
EBI_D12	1	RR9A	8	FLASH_D12
EBI_D13	2	RR9B	7	FLASH_D13
EBI_D14	3	RR9C	6	FLASH_D14
EBI_D15	4	RR9D	5	FLASH_D15

EBI D[0..15] to ETH_D[0..15] (9)

EBI_D0	1	RR10A	8	ETH_D0
EBI_D1	2	RR10B	7	ETH_D1
EBI_D2	3	RR10C	6	ETH_D2
EBI_D3	4	RR10D	5	ETH_D3
EBI_D4	1	RR11A	8	ETH_D4
EBI_D5	2	RR11B	7	ETH_D5
EBI_D6	3	RR11C	6	ETH_D6
EBI_D7	4	RR11D	5	ETH_D7
EBI_D8	1	RR12A	8	ETH_D8
EBI_D9	2	RR12B	7	ETH_D9
EBI_D10	3	RR12C	6	ETH_D10
EBI_D11	4	RR12D	5	ETH_D11
EBI_D12	1	RR13A	8	ETH_D12
EBI_D13	2	RR13B	7	ETH_D13
EBI_D14	3	RR13C	6	ETH_D14
EBI_D15	4	RR13D	5	ETH_D15

EBI D[0..7] to NAND_FSH_D[0..7] (6)

EBI_D0	1	RR14A	8	NAND_FSH_D0
EBI_D1	2	RR14B	7	NAND_FSH_D1
EBI_D2	3	RR14C	6	NAND_FSH_D2
EBI_D3	4	RR14D	5	NAND_FSH_D3
EBI_D4	4	RR15D	5	NAND_FSH_D4
EBI_D5	3	RR15C	6	NAND_FSH_D5
EBI_D6	2	RR15B	7	NAND_FSH_D6
EBI_D7	1	RR15A	8	NAND_FSH_D7

NANDOE, NANDWE, NANDALE, NANDCLE, NANDCS, NANDR_B

PD0 (NANDOE)	R48	0R	NANDOE (6)
PD1 (NANDWE)	R49	0R	NANDWE (6)
PD2 (NANDALE)	R50	0R	NANDALE (6)
PD3 (NANDCLE)	R51	0R	NANDCLE (6)
PD4 (NANDCS)	R52	0R	NANDCS (6)
PD5 (NANDR/B)	R53	0R	NANDR_B (6)

EBI A[2..18] to DDR2_A[2..18] (6)

EBI_A2	4	RR16D	5	DDR2_A2
EBI_A3	3	RR16C	6	DDR2_A3
EBI_A4	2	RR16B	7	DDR2_A4
EBI_A5	1	RR16A	8	DDR2_A5
EBI_A6	3	RR17C	6	DDR2_A6
EBI_A7	4	RR17D	5	DDR2_A7
EBI_A8	2	RR17B	7	DDR2_A8
EBI_A9	1	RR17A	8	DDR2_A9
EBI_A10	1	RR18A	8	DDR2_A10
EBI_A11	2	RR18B	7	DDR2_A11
EBI_SDA10	3	RR18C	6	DDR2_A12
EBI_A13	4	RR18D	5	DDR2_A13
EBI_A14	1	RR19A	8	DDR2_A14
EBI_A15	2	RR19B	7	DDR2_A15
EBI_A16	3	RR19C	6	DDR2_A16
EBI_A17	4	RR19D	5	DDR2_A17
EBI_A18	R164	10R	DDR2_A18	

EBI A[1..19] to FLASH_A[1..23] (6)

EBI_A1	1	RR20A	8	FLASH_A1
EBI_A2	2	RR20B	7	FLASH_A2
EBI_A3	3	RR20C	6	FLASH_A3
EBI_A4	4	RR20D	5	FLASH_A4
EBI_A5	4	RR21D	5	FLASH_A5
EBI_A6	2	RR21B	7	FLASH_A6
EBI_A7	1	RR21A	8	FLASH_A7
EBI_A8	1	RR22A	8	FLASH_A8
EBI_A9	3	RR22C	6	FLASH_A9
EBI_A10	2	RR22B	7	FLASH_A10
EBI_A11	4	RR22D	5	FLASH_A11
EBI_A12	1	RR23A	8	FLASH_A12
EBI_A13	4	RR23D	5	FLASH_A13
EBI_A14	2	RR23B	7	FLASH_A14
EBI_A15	3	RR23C	6	FLASH_A15
EBI_A16	1	RR24A	8	FLASH_A16
EBI_A17	2	RR24B	7	FLASH_A17
EBI_A18	3	RR24C	6	FLASH_A18
EBI_A19	4	RR24D	5	FLASH_A19
PD15	1	RR25A	8	FLASH_A20
PD2	3	RR25C	6	FLASH_A21
PD3	2	RR25B	7	FLASH_A22
PD16	4	RR25D	5	FLASH_A23

EBI DQM0, DQM1, DQS0, DQS1, RAS, CAS, SDWE, SDCKE, SDCK, NSDCK, NCS1_SDCS

EBI_DQM0	R37	10R	DDR2_DQM0 (6)
EBI_DQM1	R38	10R	DDR2_DQM1 (6)
EBI_DQS0	R39	10R	DDR2_DQS0 (6)
EBI_DQS1	R40	10R	DDR2_DQS1 (6)
EBI_RAS	R41	10R	DDR2_RAS (6)
EBI_CAS	R42	10R	DDR2_CAS (6)
EBI_SDWE	R43	10R	DDR2_SDWE (6)
EBI_SDCKE	R44	10R	DDR2_SDCKE (6)
EBI_SDCK	R45	10R	DDR2_SDCK (6)
EBI_NSDCK	R46	10R	DDR2_NSDCK (6)
EBI_NCS1_SDCS	R47	10R	DDR2_NCS1 (6)

ATMEL
ROUSSET

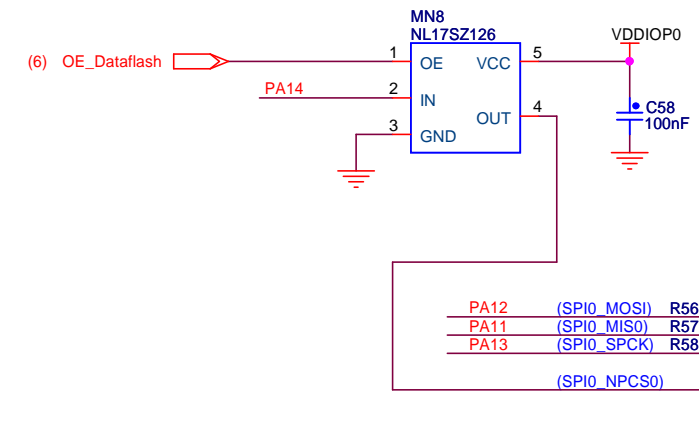
C	NOR NRST	PP	25-NOV-11	XXX	XX-XXX-XX
B	EBI	PP	25-SEPT-11	XXX	XX-XXX-XX
A	INIT EDIT	PP	20-AUG-11	XXX	XX-XXX-XX
REV	MODIF.	DES.	DATE	REV.	DATE
SCALE 1/1				REV. C	SHEET 4/9
SAM9N12-EK_RevC					
BGA217					
EBI_INTERFACE					

This agreement is our property. Reproduction and publication without our written authorization shall expose offender to legal proceedings.

MN7B
SAM9N12_LBGA217 - PIOA

T3	PA0
U2	PA1
U3	PA2
P4	PA3
T4	PA4
U4	PA5
P5	PA6
R4	PA7
U6	PA8
R5	PA9
R6	PA10
T5	PA11
T6	PA12
U5	PA13
U7	PA14
T7	PA15
R7	PA16
U8	PA17
P8	PA18
T8	PA19
R8	PA20
U9	PA21
U10	PA22
T9	PA23
U11	PA24
T10	PA25
R9	PA26
U12	PA27
T11	PA28
U13	PA29
R10	PA30
T12	PA31

PA[0..31] (7,8)

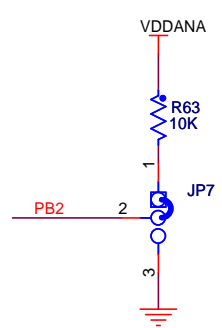


SERIAL DATAFLASH

MN7C
SAM9N12_LBGA217 - PIOB

E4	PB0
F3	PB1
F4	PB2
F2	PB3
G4	PB4
G3	PB5
D2	PB6
E2	PB7
D1	PB8
F1	PB9
E1	PB10
A1	PB11
C3	PB12
B1	PB13
C2	PB14
D3	PB15
C1	PB16
E3	PB17
D4	PB18

PB[0..18] (3,7,8)

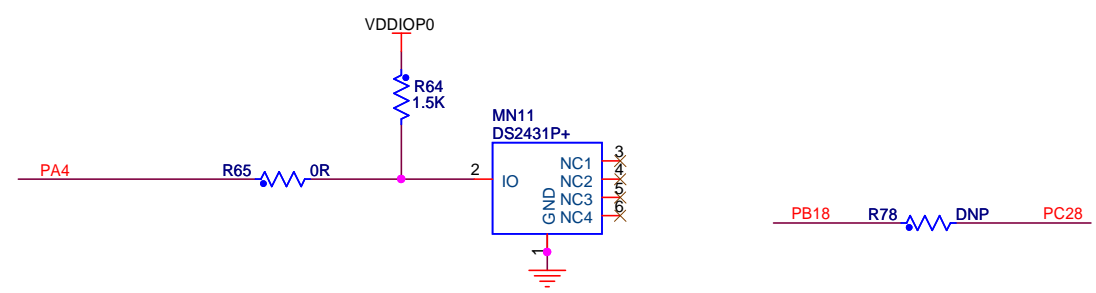


SERIAL EEPROM

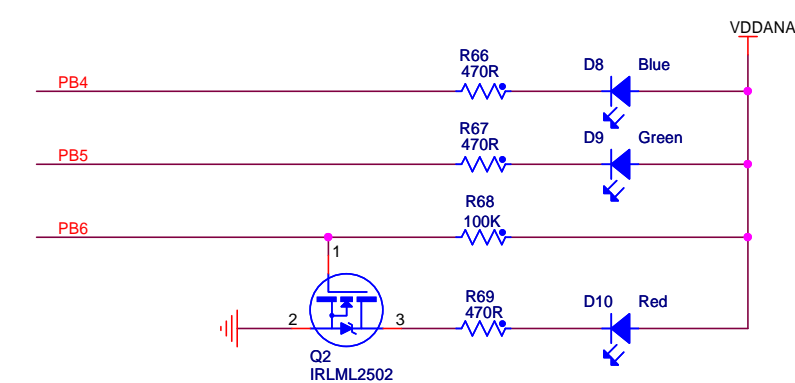
MN7D
SAM9N12_LBGA217 - PIOC

G2	PC0
G1	PC1
H4	PC2
J1	PC3
H3	PC4
J3	PC5
H2	PC6
H1	PC7
K2	PC8
J2	PC9
L1	PC10
K1	PC11
L2	PC12
K3	PC13
M1	PC14
M2	PC15
K4	PC16
M3	PC17
N1	PC18
N2	PC19
N3	PC20
P1	PC21
P2	PC22
P3	PC23
R1	PC24
R3	PC25
R2	PC26
T1	PC27
M4	PC28
N4	PC29
T2	PC30
U1	PC31

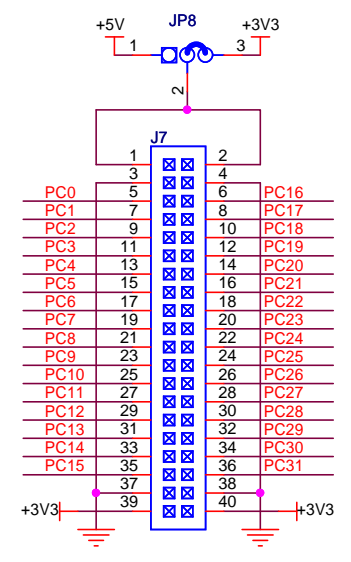
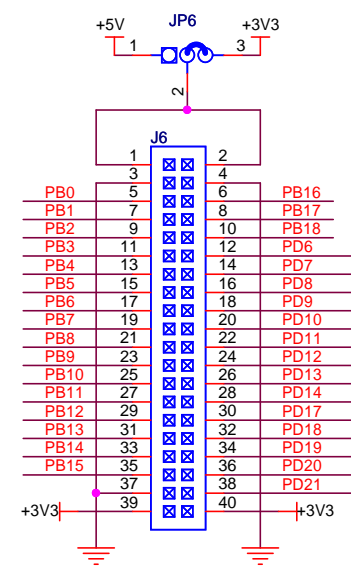
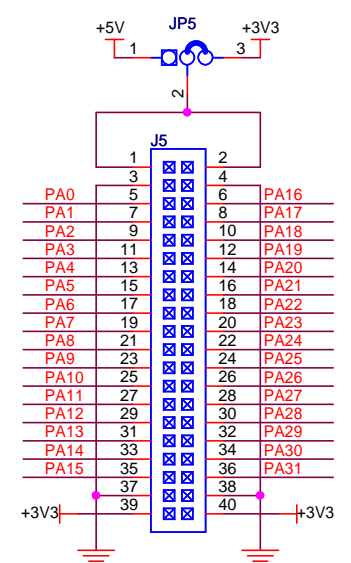
PC[0..31] (3,7)



1-WIRE EEPROM



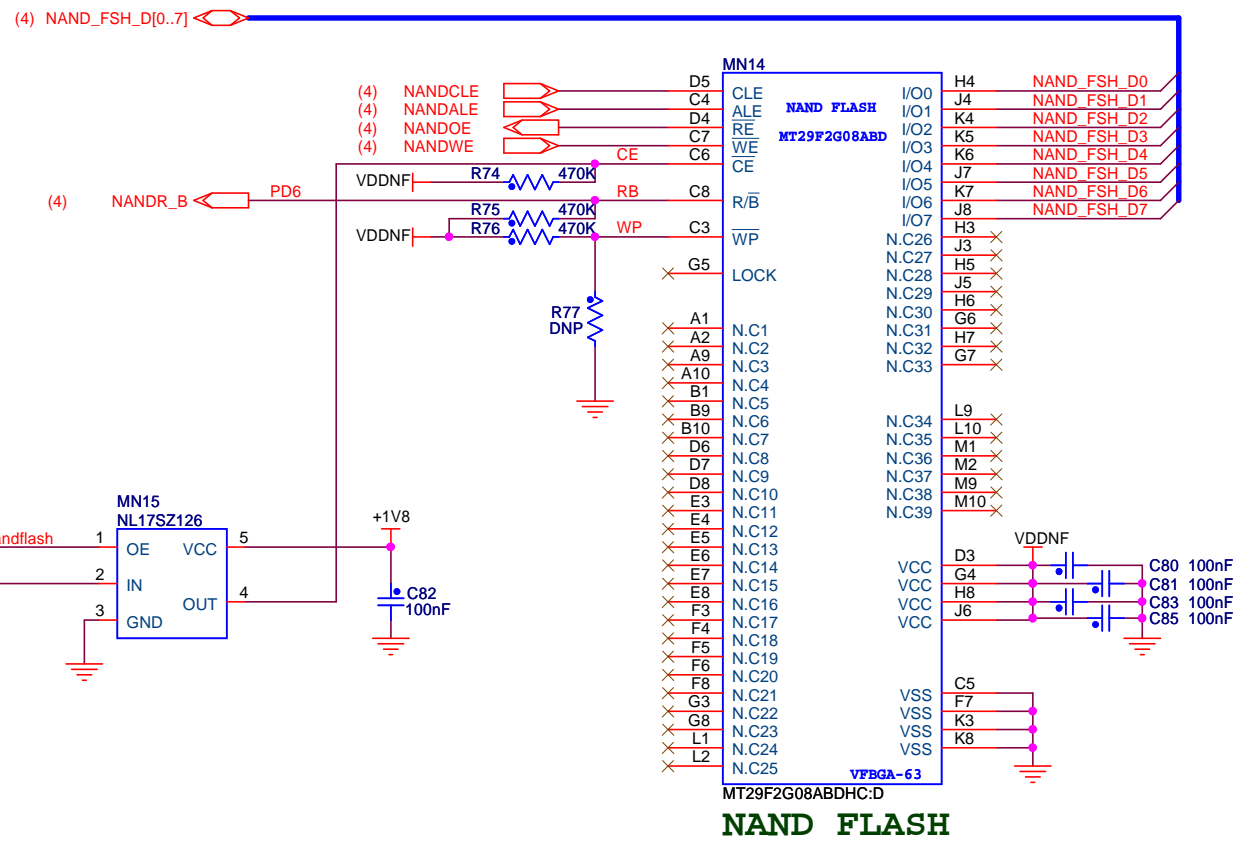
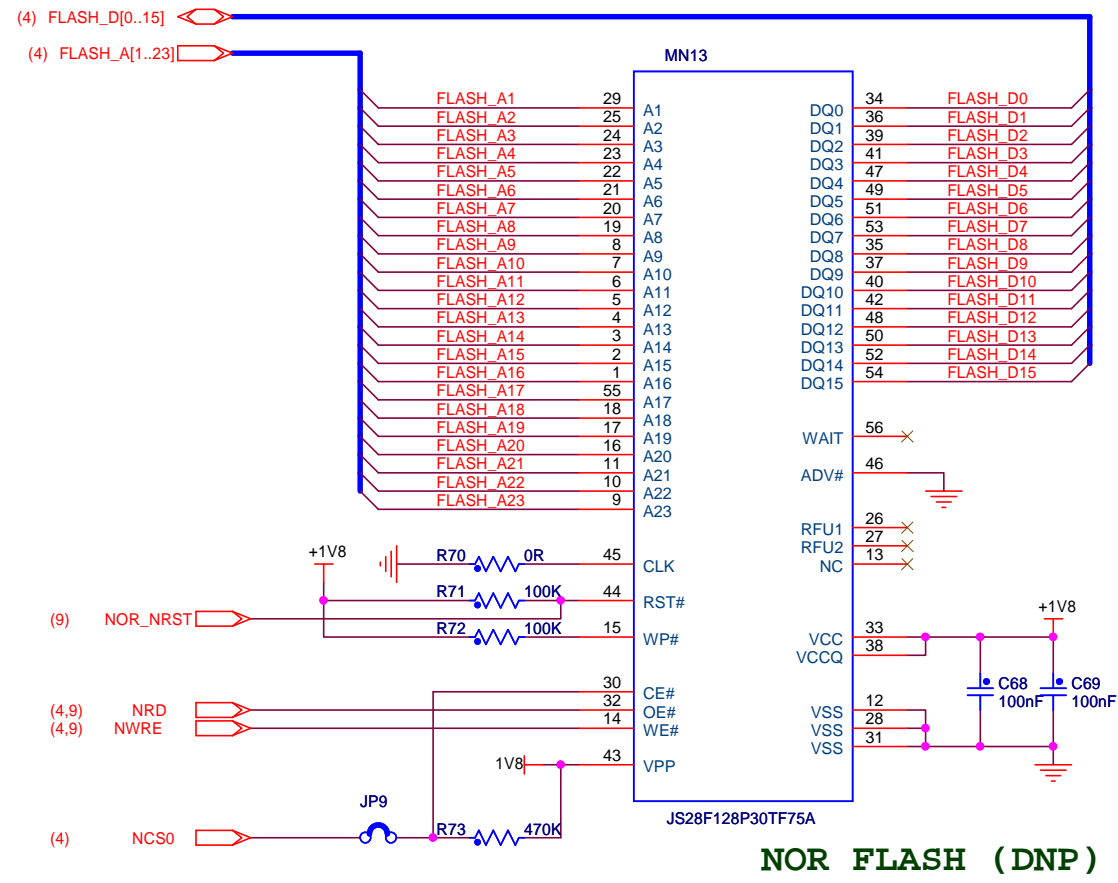
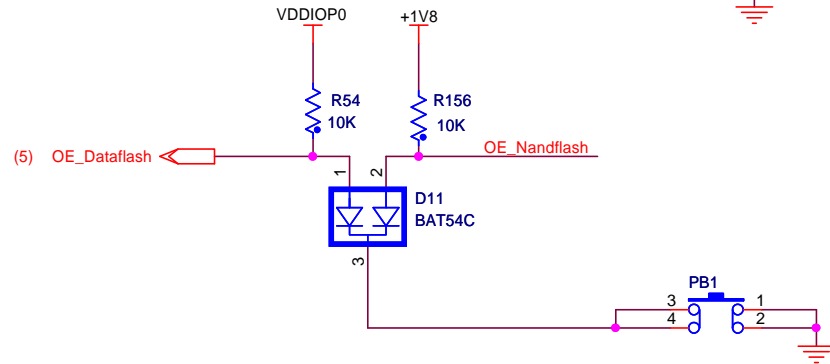
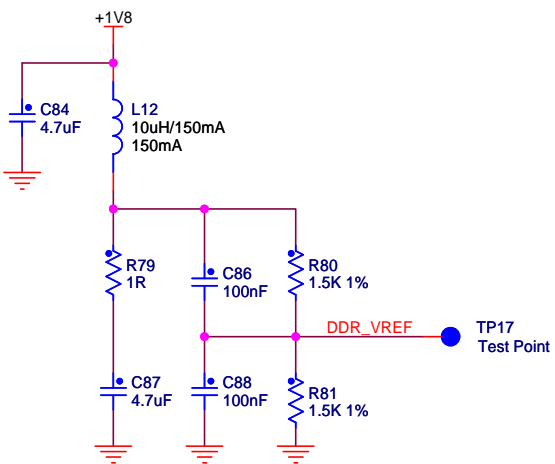
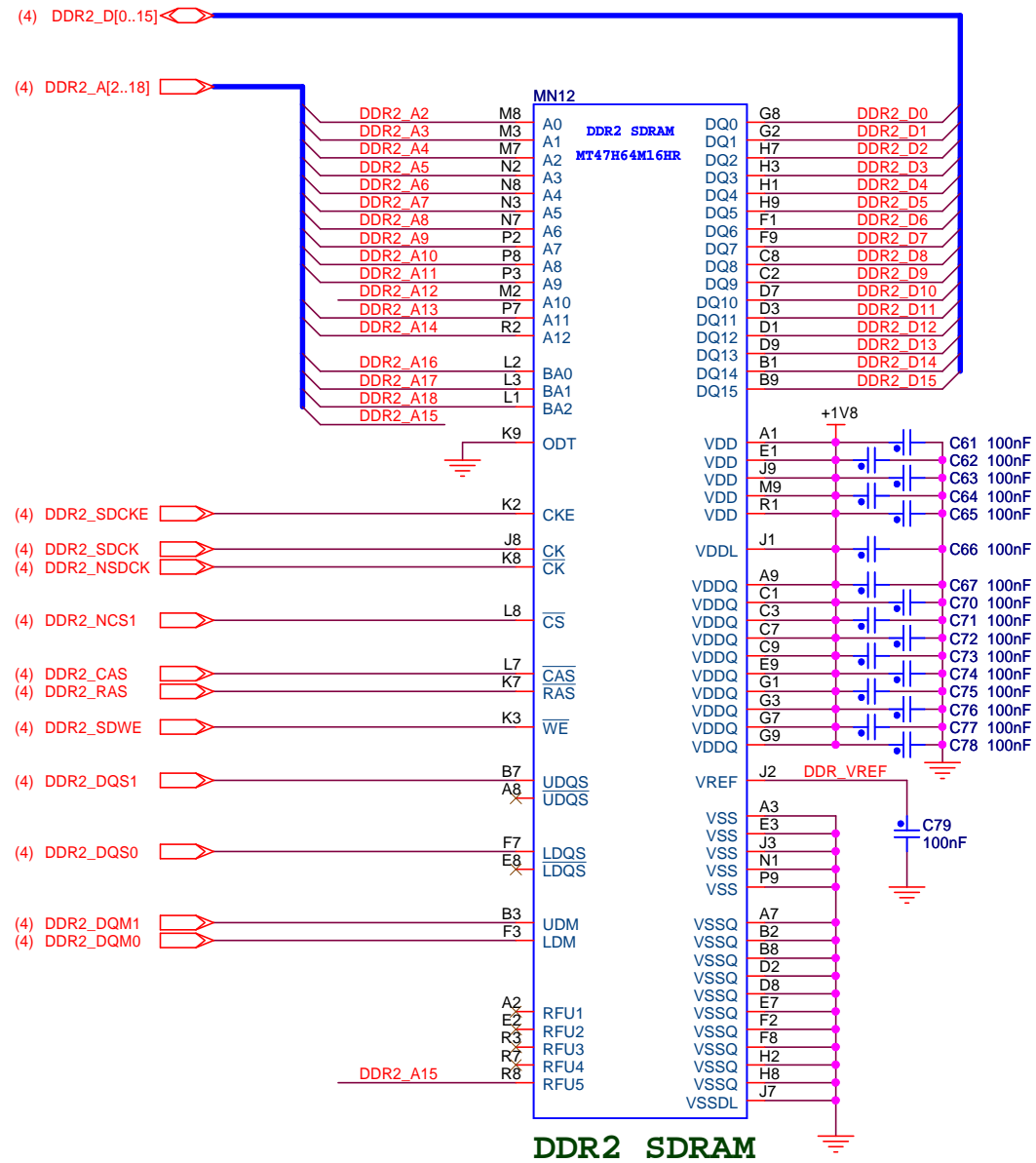
LED



ATMEL					
ROUSSET					
SAM9N12-EK_RevC		SCALE 1/1		REV. SHEET	
BGA217				C 5/9	
PIO_INTERFACES					

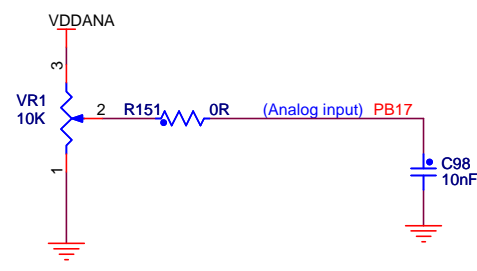
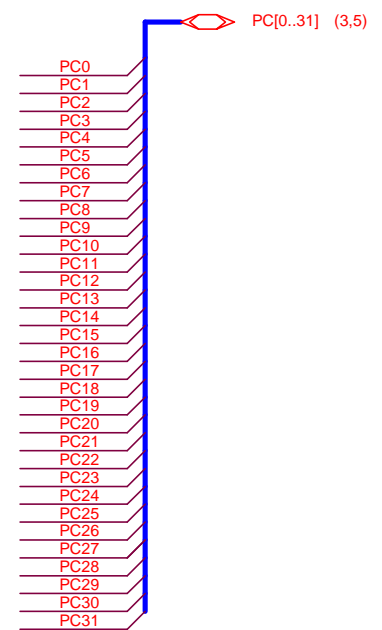
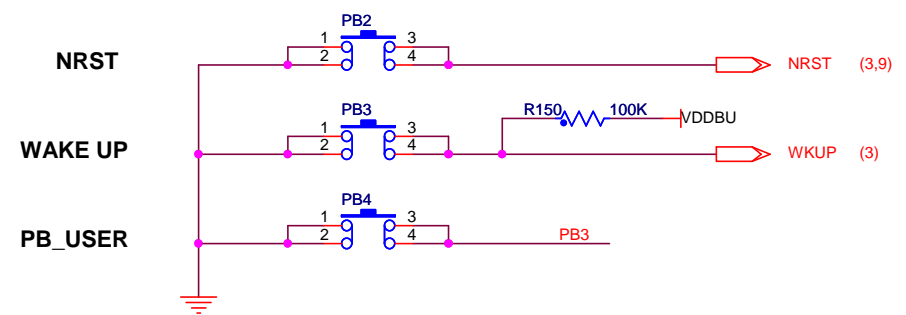
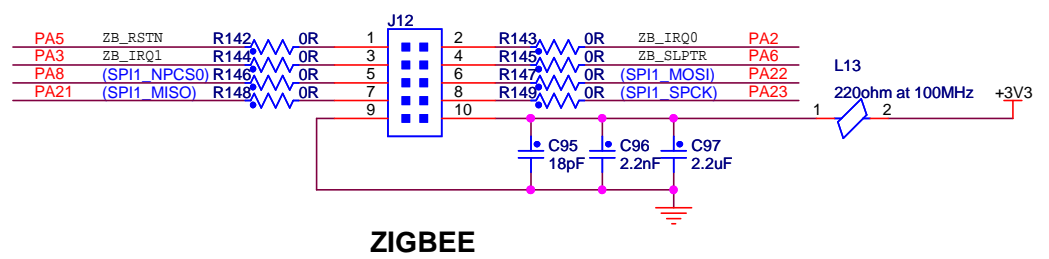
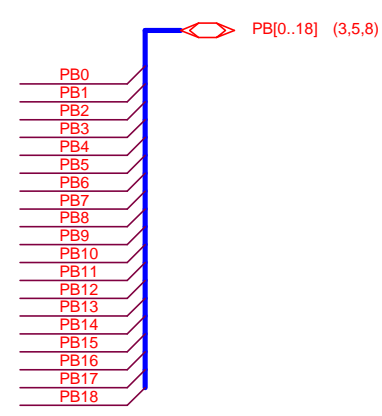
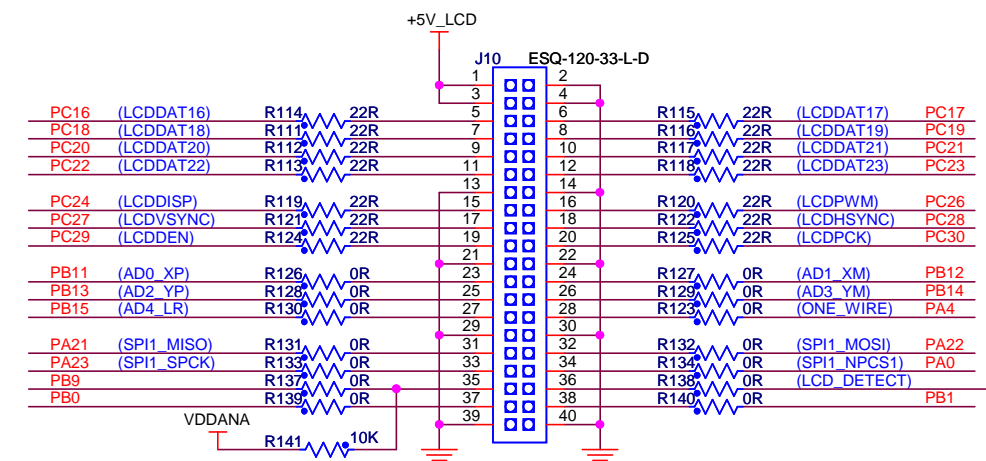
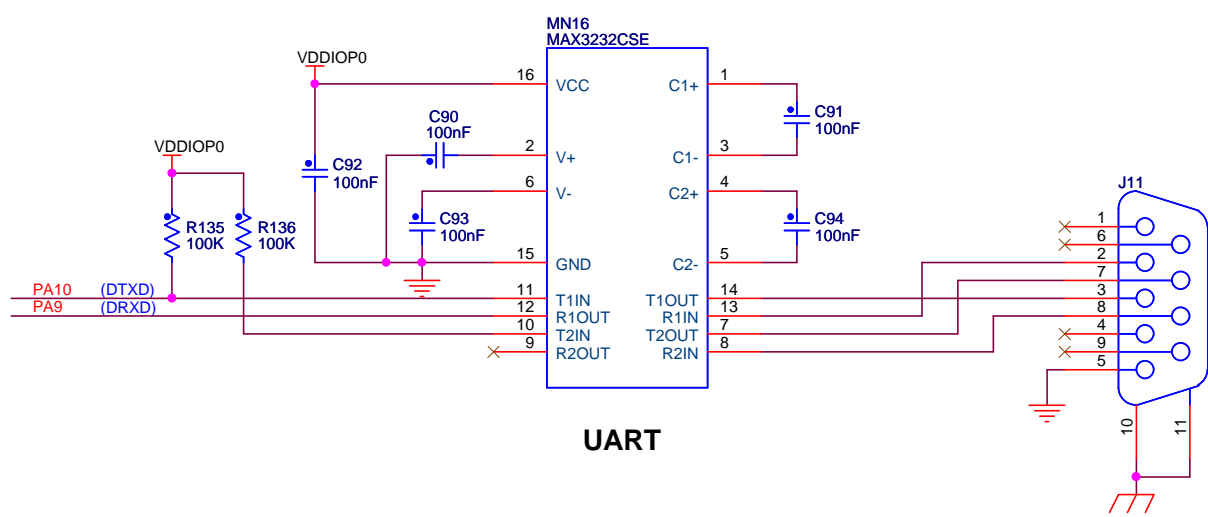
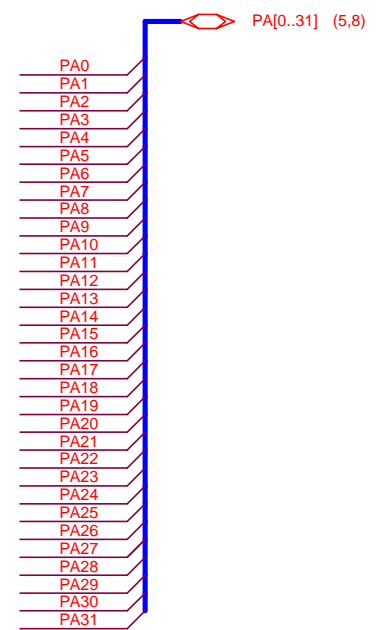
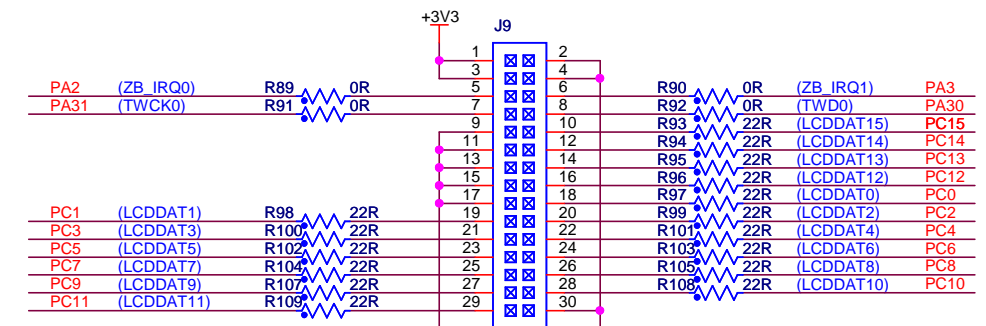
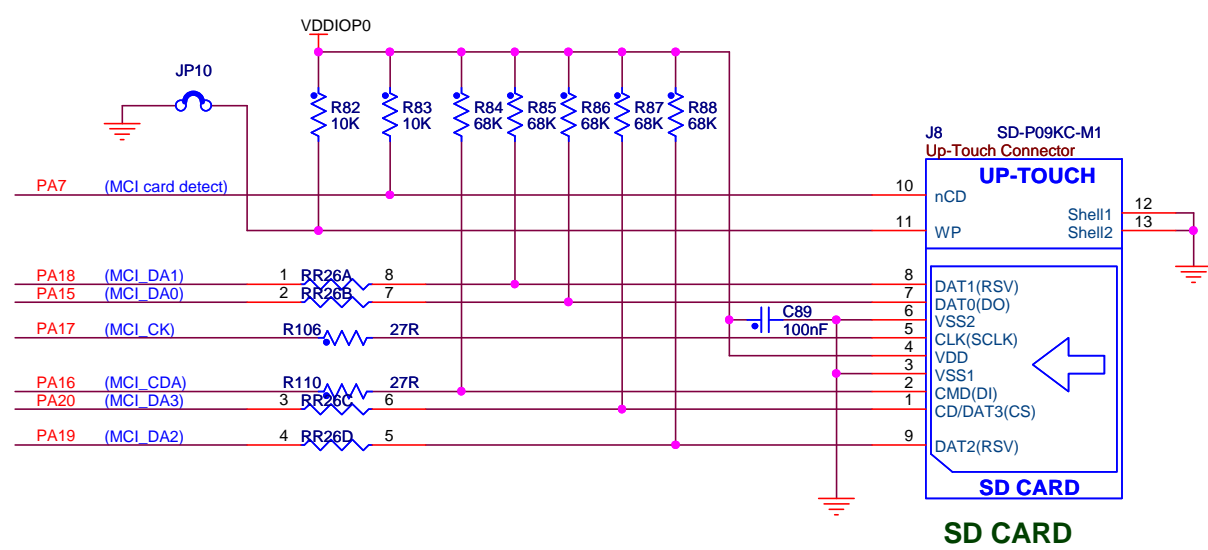
C	NOR	NRST	PP	25-NOV-11	XXX	XX-XXX-XX
B	EBI		PP	25-SEPT-11	XXX	XX-XXX-XX
A	INIT	EDIT	PP	20-AUG-11	XXX	XX-XXX-XX
REV	MODIF.	DES.	DATE	VER.	DATE	

This agreement is our property. Reproduction and publication without our written authorization shall expose offender to legal proceedings.



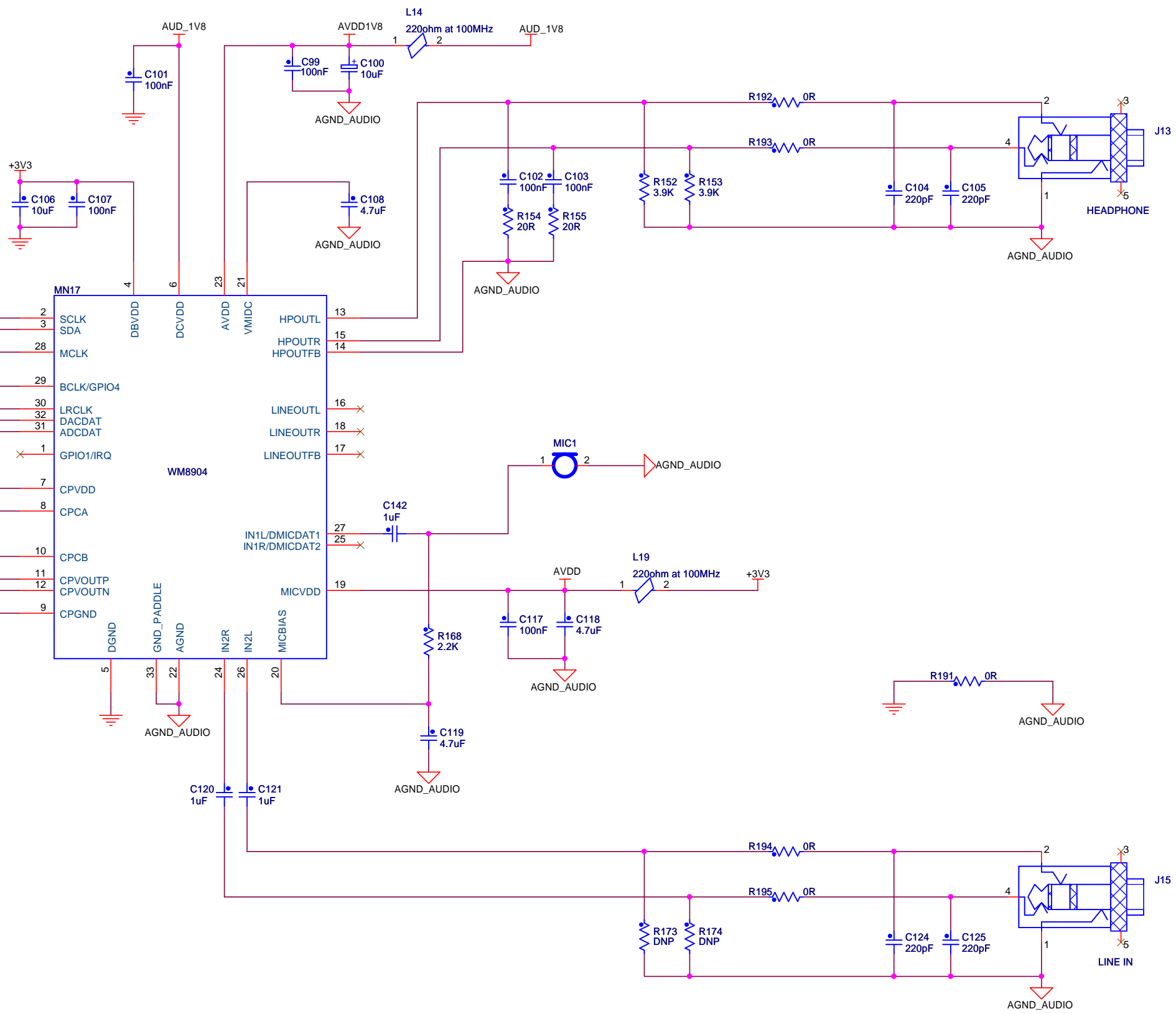
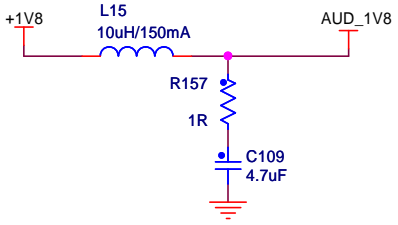
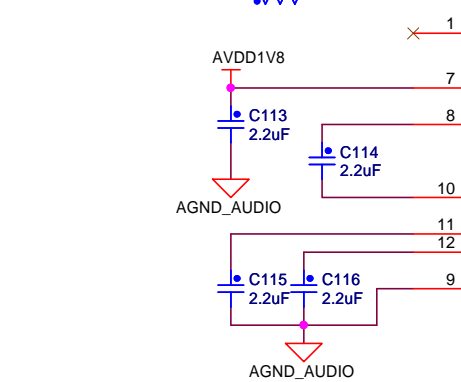
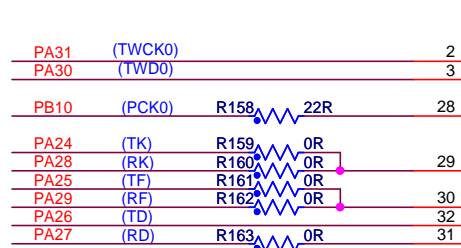
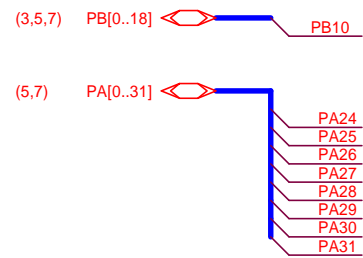
ATMEL					
ROUSSET					
C NOR NRST	PP	25-NOV-11	XXX	XX-XXX-XX	
B EBI	PP	25-SEPT-11	XXX	XX-XXX-XX	
A INIT EDIT	PP	20-AUG-11	XXX	XX-XXX-XX	
REV	MODIF.	DES.	DATE	VER.	DATE
SAM9N12-EK_RevC		SCALE 1/1		REV. C	SHEET 6/9
BGA217					
DDR2 NAND FLASH					

This agreement is our property. Reproduction and publication without our written authorization shall expose offender to legal proceedings.

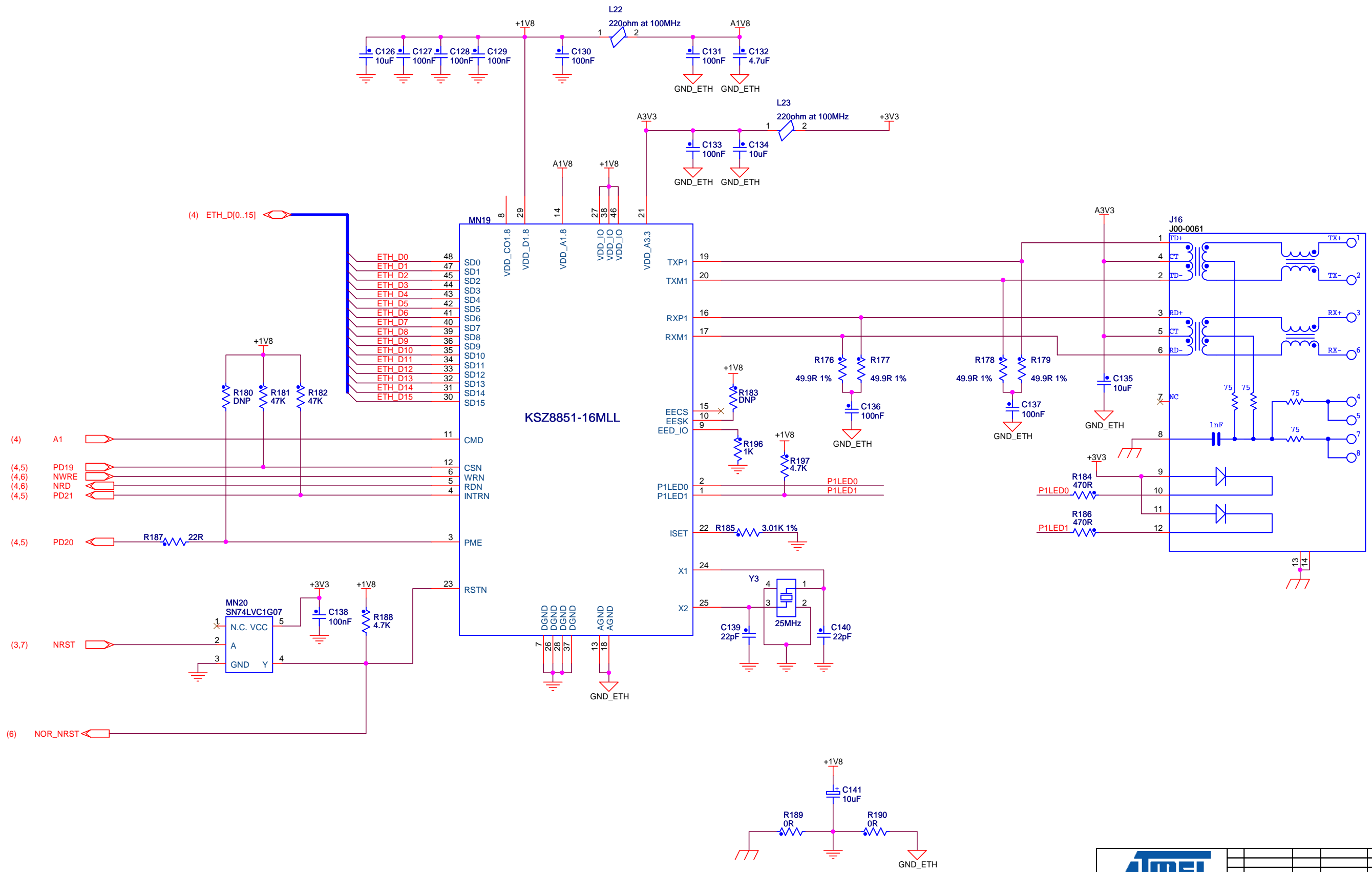


ATMEL									
ROUSSET									
C	NOR NRST	PP	25-NOV-11	XXX	XX-XXX-XX				
B	EBI	PP	25-SEPT-11	XXX	XX-XXX-XX				
A	INIT EDIT	PP	20-AUG-11	XXX	XX-XXX-XX				
REV	MODIF.	DES.	DATE	VER.	DATE				
SAM9N12-EK_RevC		SCALE	1/1	REV.	SHEET				
BGA217				C	7/9				
SERIAL INTERFACES									

This agreement is our property. Reproduction and publication without our written authorization shall expose offender to legal proceedings.



ATMEL									
ROUSSET									
SAM9N12-EK_RevC									
BGA217									
AUDIO									
REV	MODIF.	DES.	DATE	VER.	DATE	SCALE	1/1	REV.	SHEET
C	NOR NRST	PP	25-NOV-11	XXX	XX-XXX-XX			C	8/9
B	EBI	PP	25-SEPT-11	XXX	XX-XXX-XX				
A	INIT EDIT	PP	20-AUG-11	XXX	XX-XXX-XX				
This agreement is our property. Reproduction and publication without our written authorization shall expose offender to legal proceedings.									

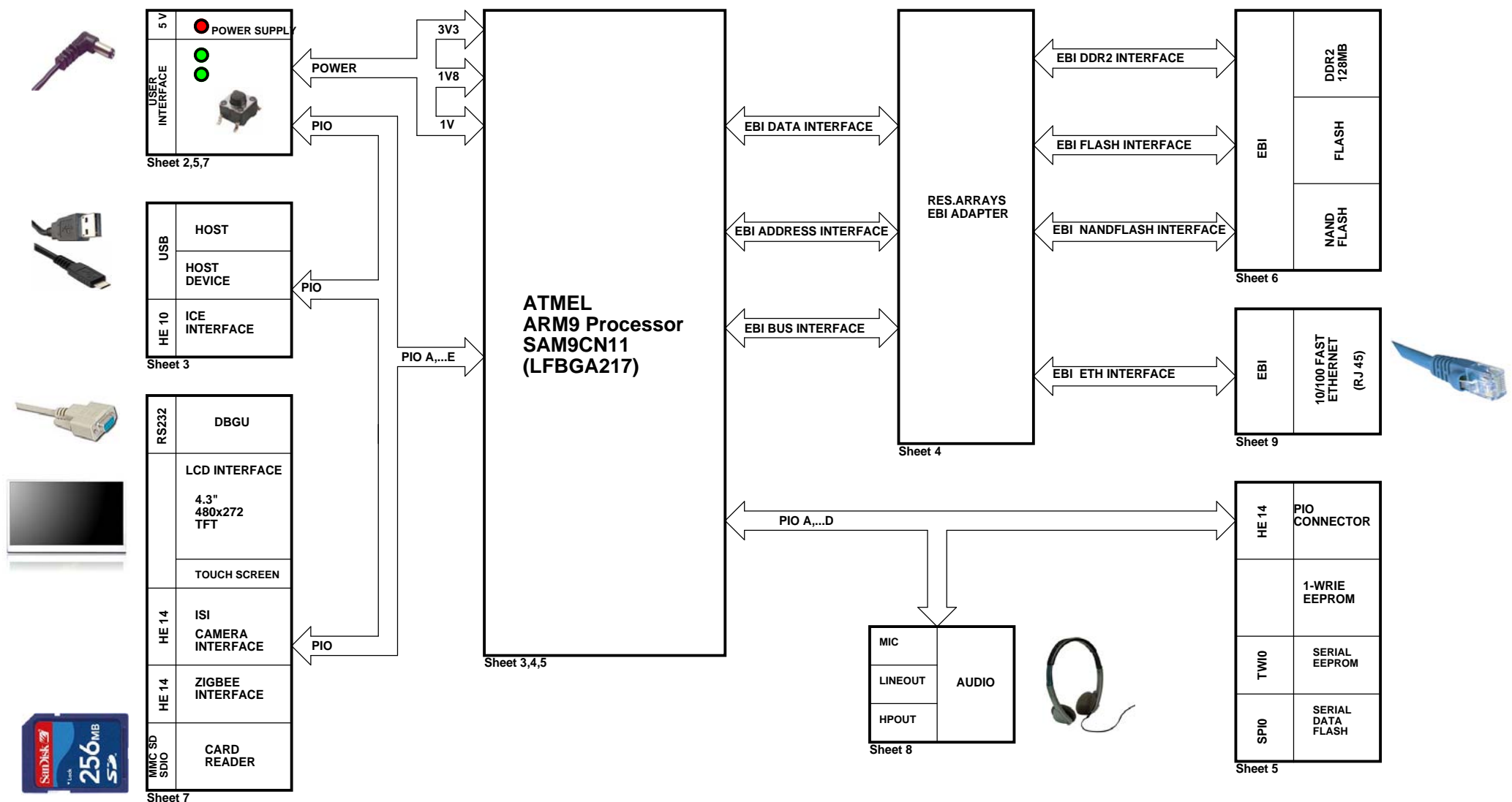


ATMEL									
ROUSSET									
C	NOR NRST	PP	25-NOV-11	XXX	XX-XXX-XX				
B	EBI	PP	25-SEPT-11	XXX	XX-XXX-XX				
A	INIT EDIT	PP	20-AUG-11	XXX	XX-XXX-XX				
REV	MODIF.	DES.	DATE	VER.	DATE				
SAM9N12-EK_RevC		SCALE 1/1		REV. C		SHEET 9/9			
BGA217									
ETH									
<small>This agreement is our property. Reproduction and publication without our written authorization shall expose offender to legal proceedings.</small>									

5.2 SAM9CN11-EK Schematics

This section contains the following schematics:

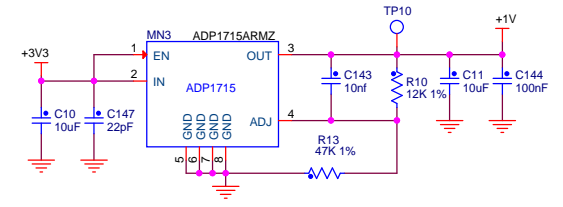
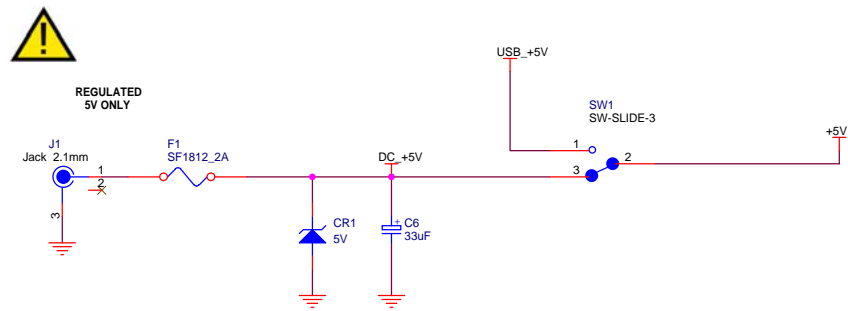
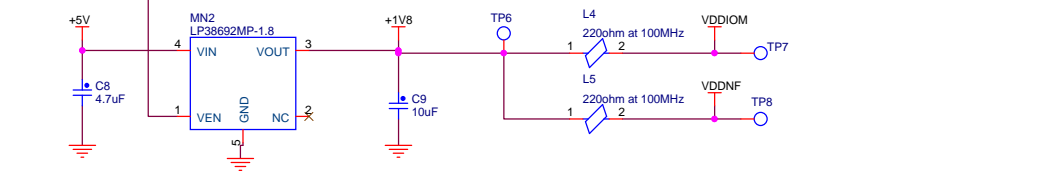
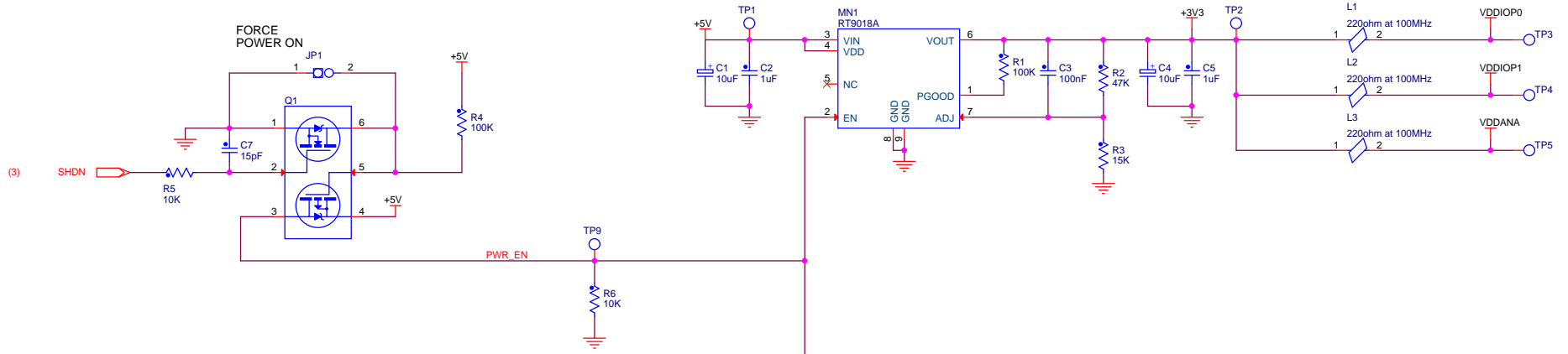
- Block Diagram
- Power Supply
- AT91SAM9CN11
- EBI Interface
- PIO Interfaces
- DDR2 NAND Flash
- Serial Interfaces
- Audio
- ETH



PIO MUXING											
PIOA	USAGE	PIOA	USAGE	PIOB	USAGE	PIOB	USAGE	PIOC	USAGE	PIOD	USAGE
PA0	TXD0	PA16	MCI_CDA	PB0	--	PB16	VBUS_SENSE	PC0	LCDDAT0	PD0	NANDOE
PA1	RXD0	PA17	MCI_CK	PB1	--	PB17	AD6	PC1	LCDDAT1	PD1	NANDWE
PA2	ZB_IRQ0	PA18	MCI_DA1	PB2	ROM_CODE	PB18	ADTRG	PC2	LCDDAT2	PD2	NANDALE/A21
PA3	ZB_IRQ1	PA19	MCI_DA2	PB3	PB_USER1			PC3	LCDDAT3	PD3	NANDCLE
PA4	One Wire	PA20	MCI_DA3	PB4	USER_LED1			PC4	LCDDAT4	PD4	NANDCS
PA5	ZB_RSTN	PA21	SPI1_MISO	PB5	USER_LED2			PC5	LCDDAT5	PD5	NWAIT
PA6	ZB_SL_PTR	PA22	SPI1_MOSI	PB6	PHWR_LE			PC6	LCDDAT6	PD6	D16
PA7	MCI card detect	PA23	SPI1_SPCK	PB7	ENSV_HOST			PC7	LCDDAT7	PD7	D17
PA8	SPI1_NPCS0	PA24	TK	PB8	OVCUR_USB			PC8	LCDDAT8	PD8	D18
PA9	DRXD	PA25	TF	PB9	--			PC9	LCDDAT9	PD9	D19
PA10	DTXD	PA26	TD	PB10	PCK0			PC10	LCDDAT10	PD10	D20
PA11	SPI0_MISO	PA27	RD	PB11	AD0			PC11	LCDDAT11	PD11	D21
PA12	SPI0_MOSI	PA28	RK	PB12	AD1			PC12	LCDDAT12	PD12	D22
PA13	SPI0_SPCK	PA29	RF	PB13	AD2			PC13	LCDDAT13	PD13	D23
PA14	SPI0_NPCS0	PA30	TWDO	PB14	AD3			PC14	LCDDAT14	PD14	D24
PA15	MCI_DA0	PA31	TWCKO	PB15	AD4			PC15	LCDDAT15	PD15	A20

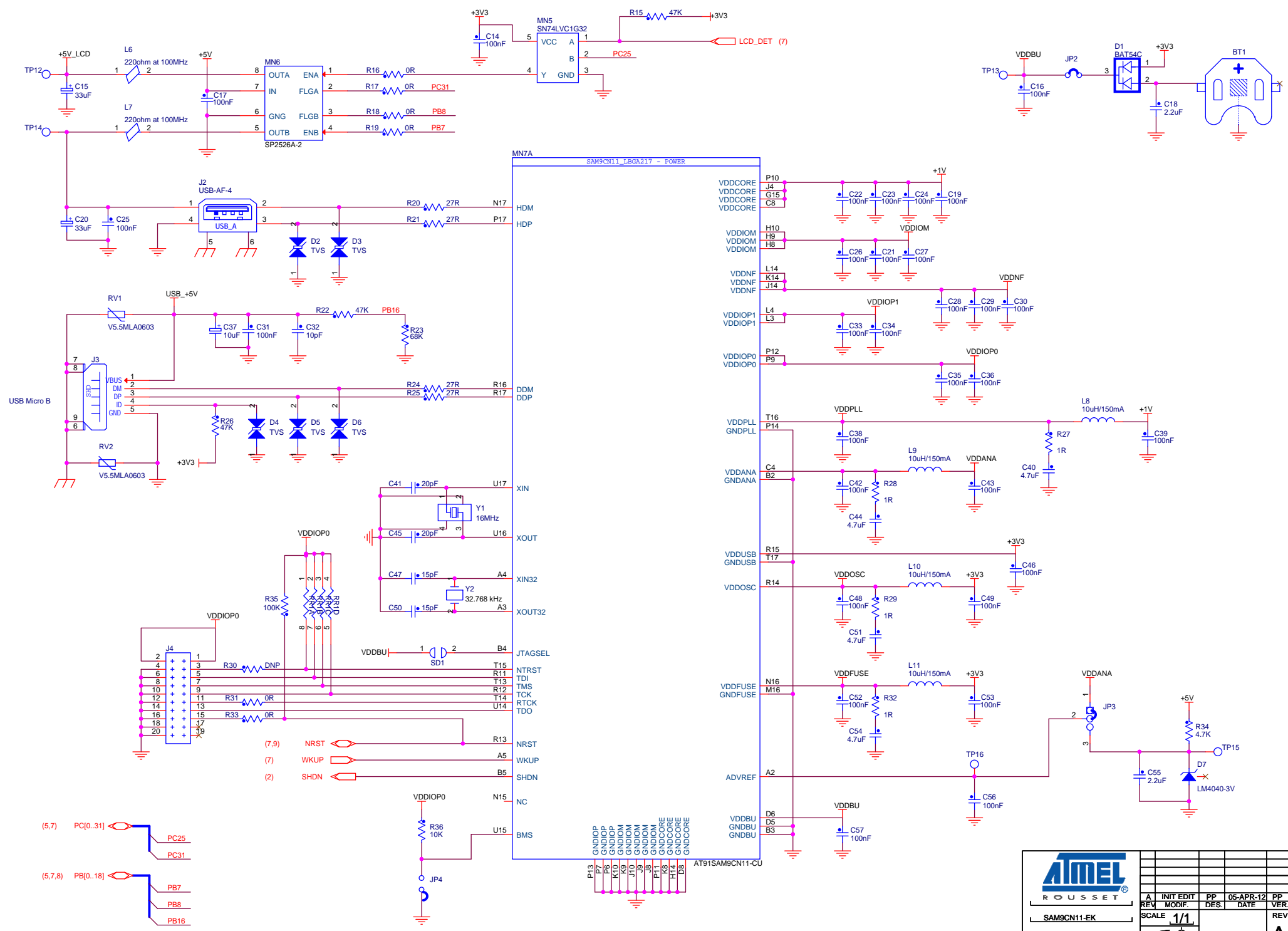
NOTE
 "DNP" means the component is not populated by default

REV. A	INIT EDIT	PP DES.	05-APR-12	PP VER.	05-APR-12
SAM9CN11-EK		SCALE	1/1	REV. A	SHEET 1/9
Block Diagram					



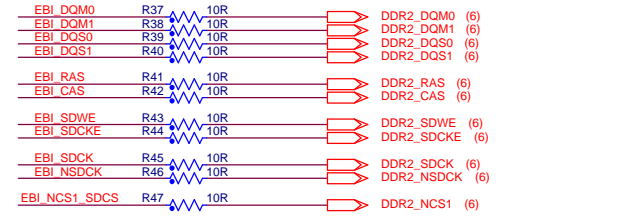
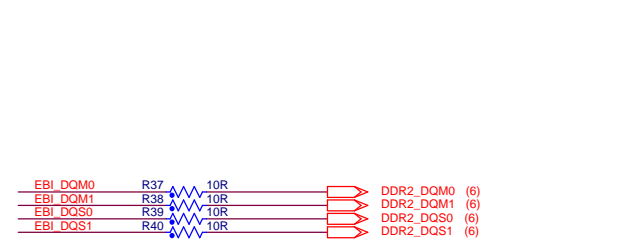
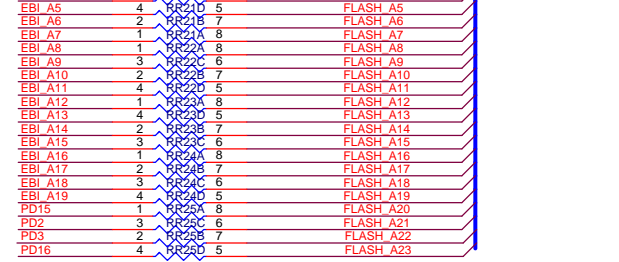
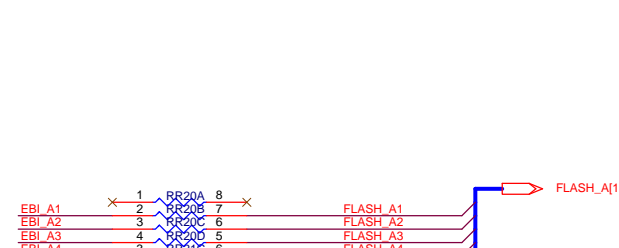
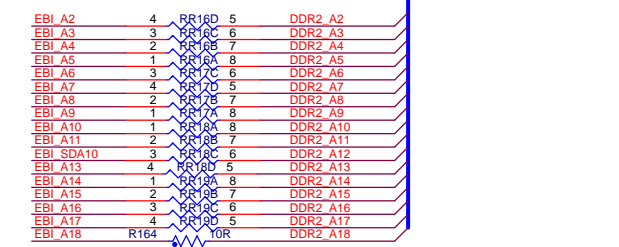
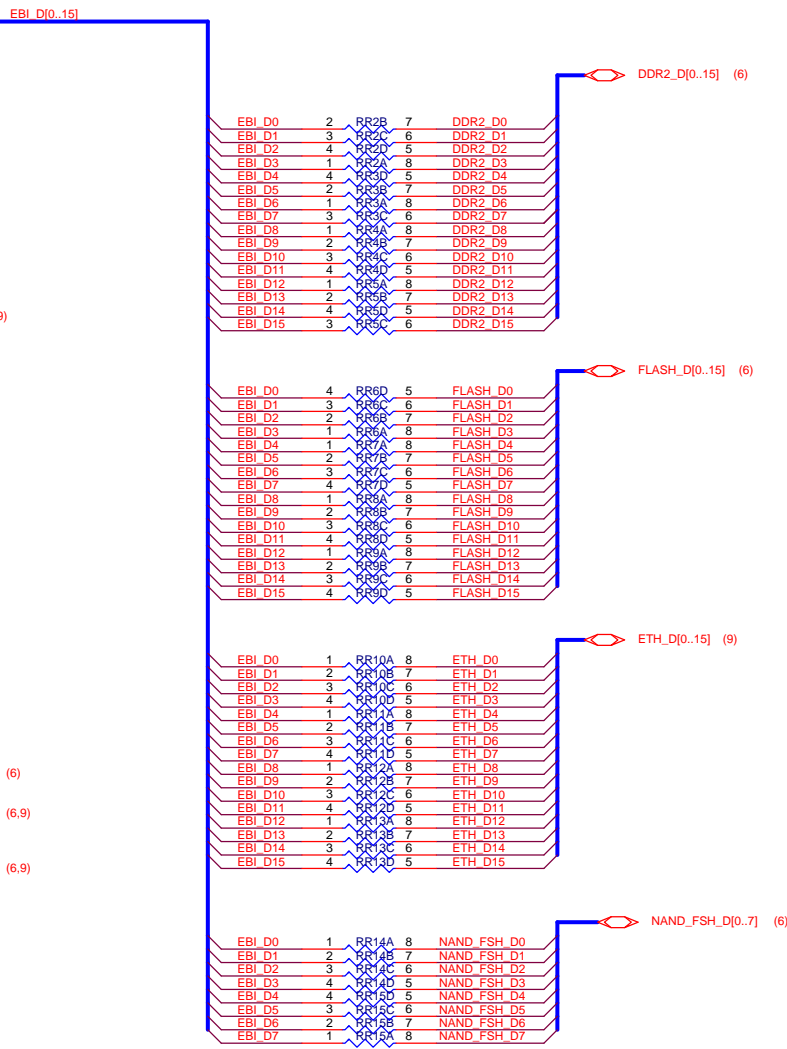
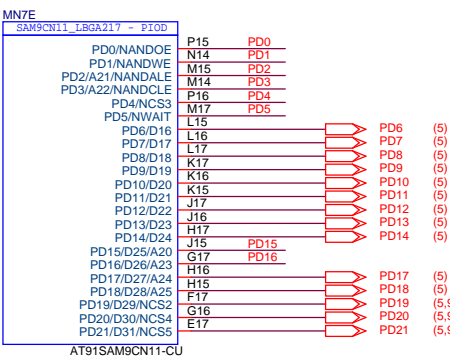
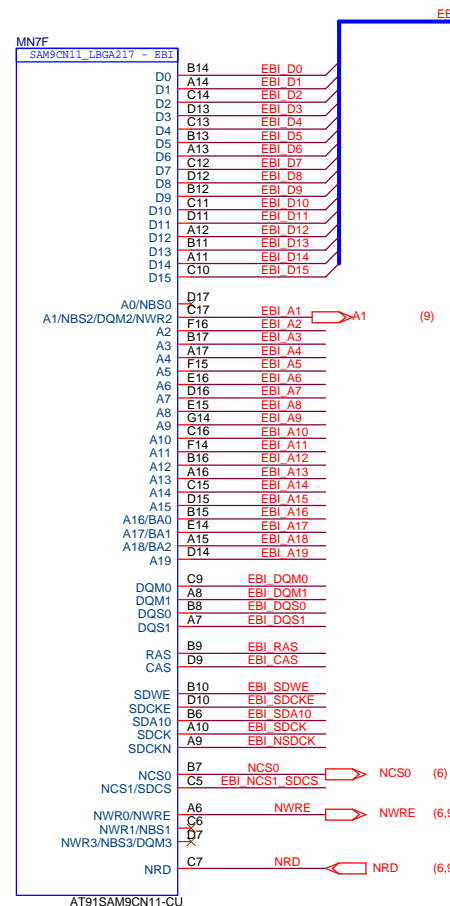
$$V_{OUT} = 0.8V \times (R_{top} + R_{bottom}) / R_{bottom}$$

		REV	INIT EDIT	PP	05-APR-12	PP	05-APR-12
		MODIF.	DES.	DATE	VER.	DATE	
SAMPLC11-EK		SCALE	1/1	REV.	A	SHEET	2/9
POWER SUPPLY		<small>This agreement is our property. Reproduction and publication without our written authorization shall expose offender to legal proceedings.</small>					



		REV	INIT	EDIT	PP	05-APR-12	PP	05-APR-12
		DES.	DATE	VER.	DATE	REV.	SHEET	
SAM9CN11-EK		SCALE	1/1		REV.		SHEET	
AT91SAM9CN11				A		3/9		

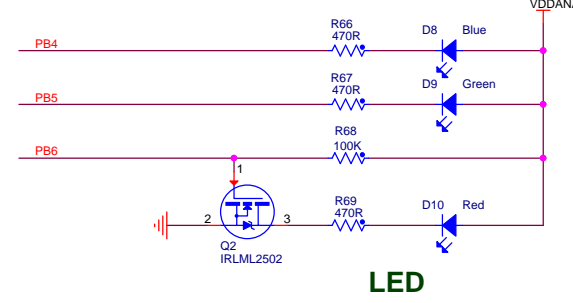
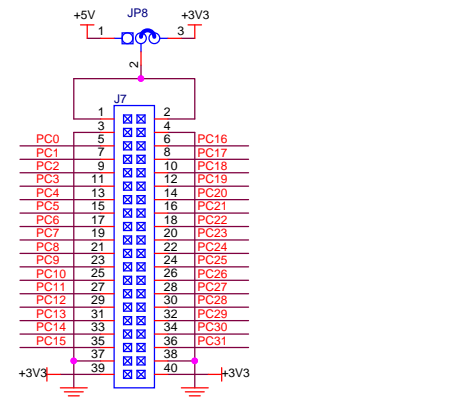
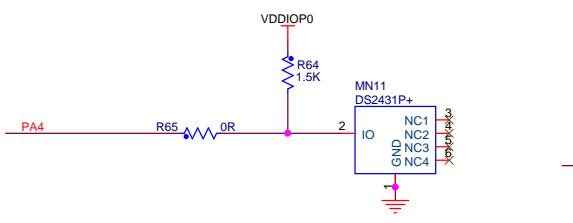
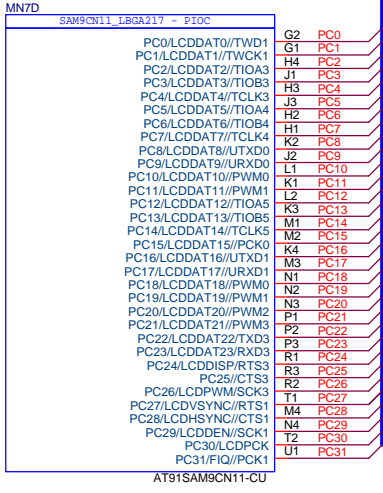
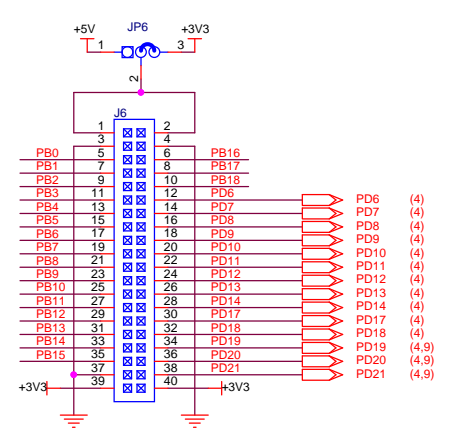
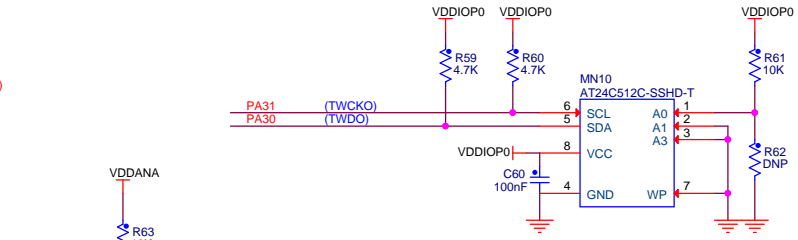
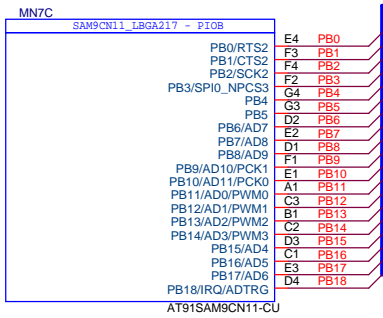
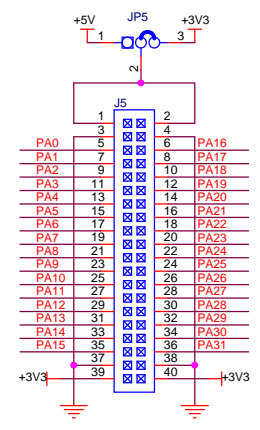
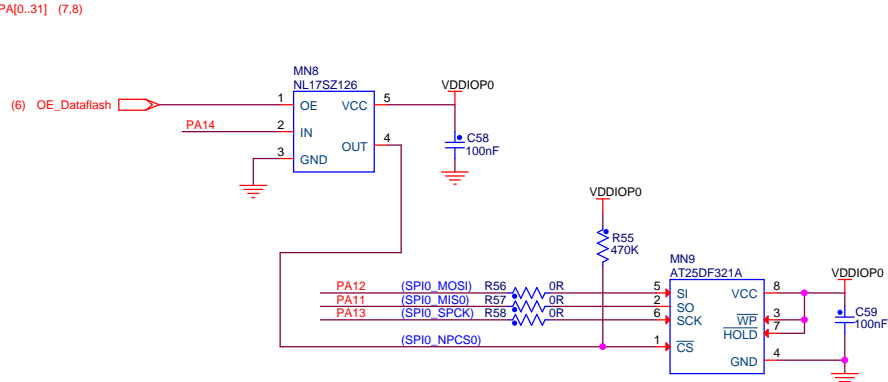
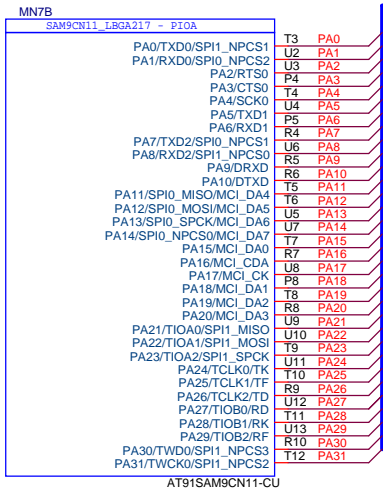
This agreement is our property. Reproduction and publication without our written authorization shall expose offenders to legal proceedings.



ATMEL
ROUSSET

REV	INIT EDIT	PP DES.	05-APR-12	PP VER.	05-APR-12
SCALE	1/1			REV.	4/9
SAMS9CN11-EK				A	
EBI INTERFACE					

This agreement is our property. Reproduction and publication without our written authorization shall expose offender to legal proceedings.



SERIAL DATAFLASH

SERIAL EEPROM

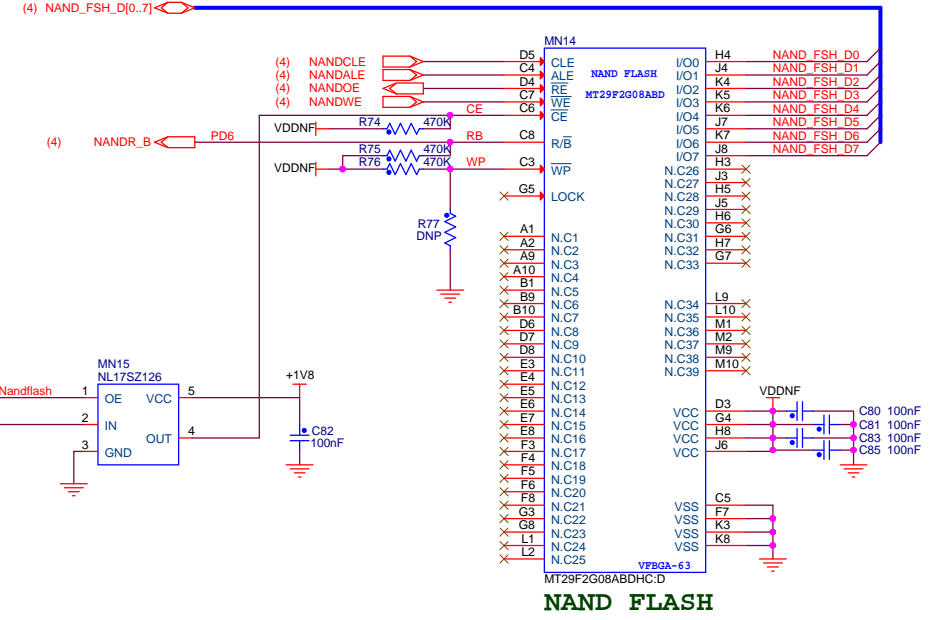
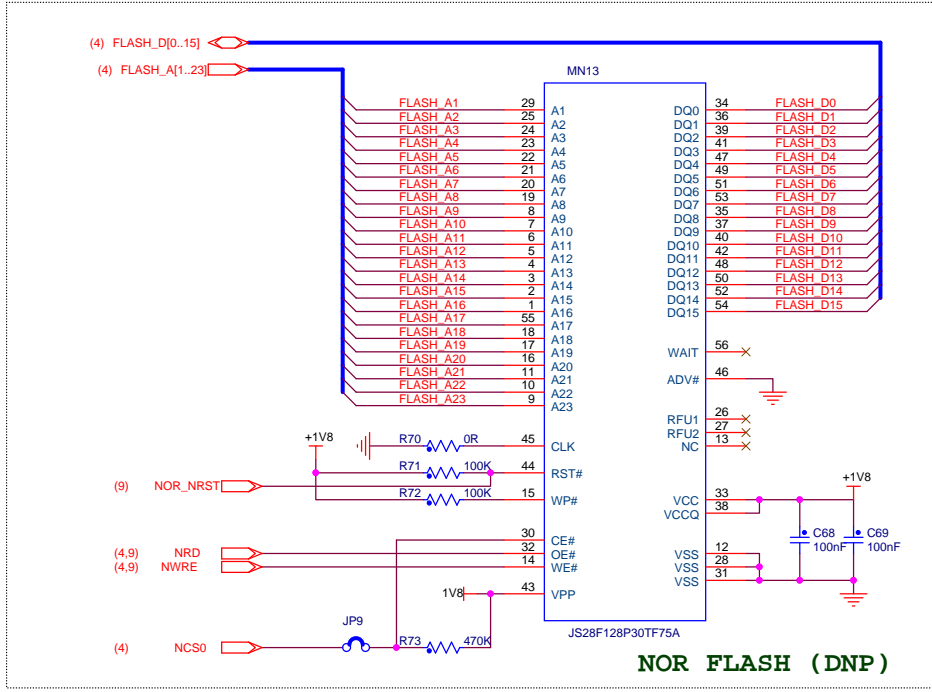
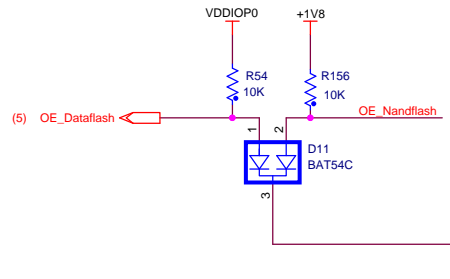
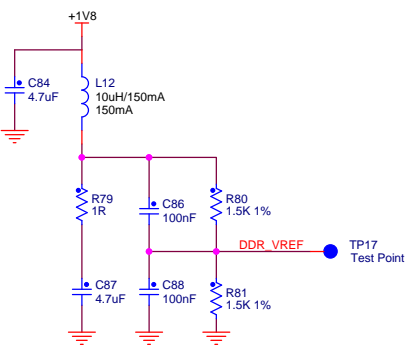
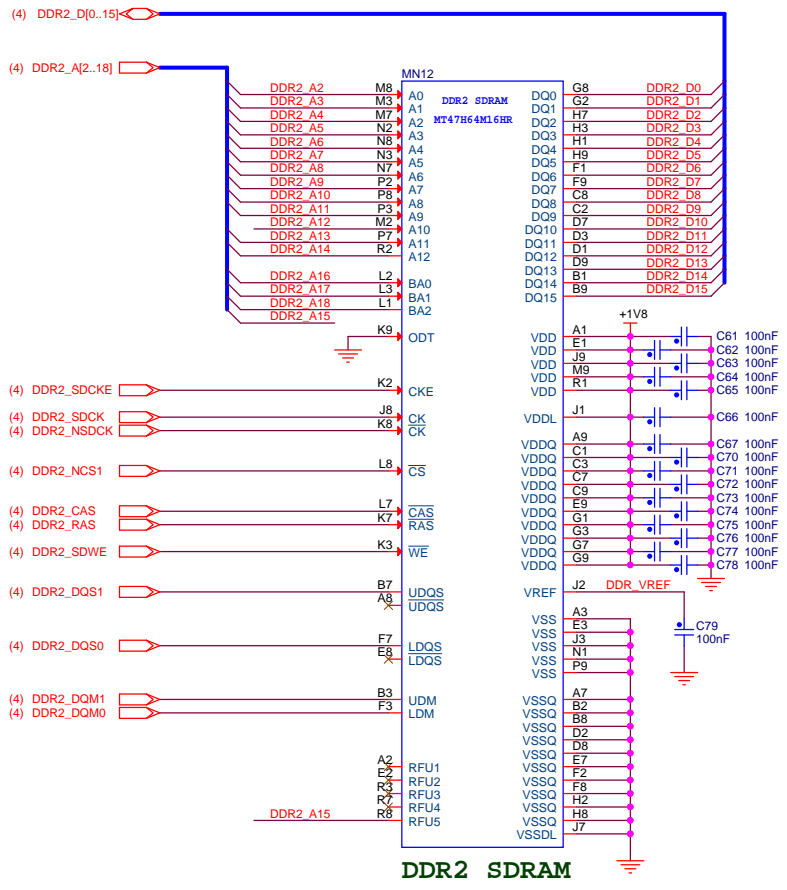
1-WIRE EEPROM

LED

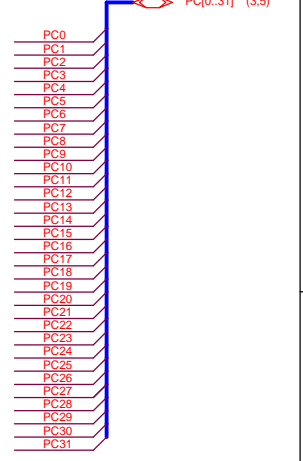
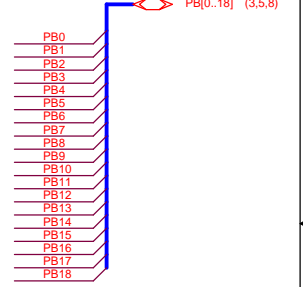
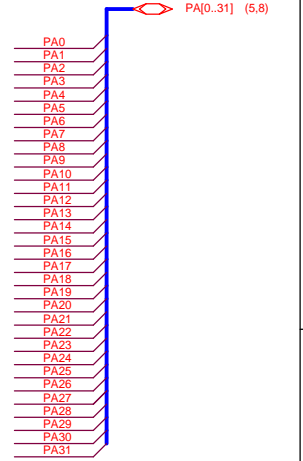
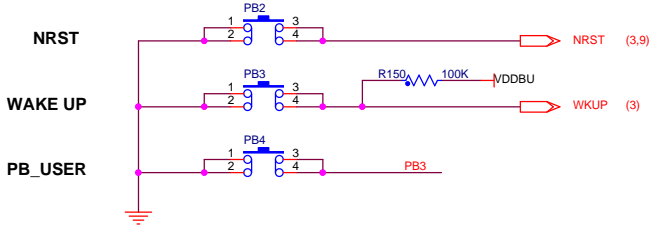
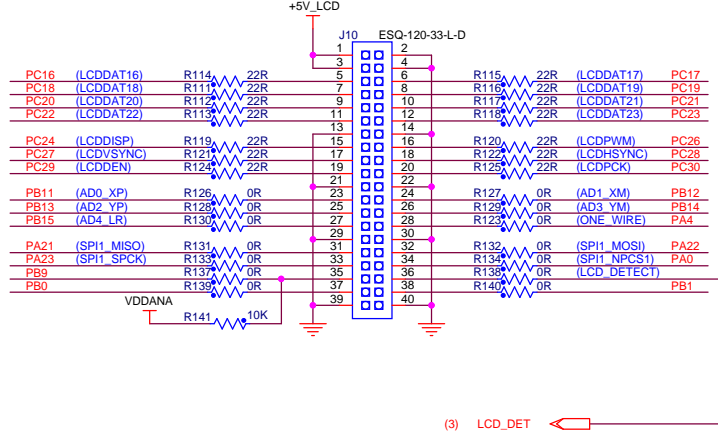
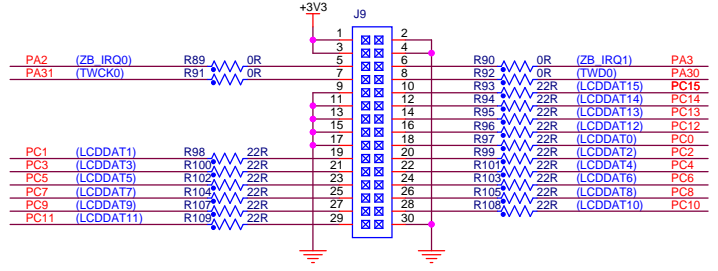
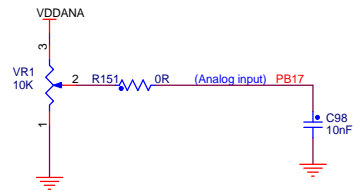
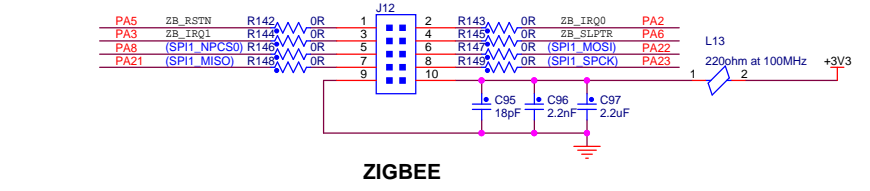
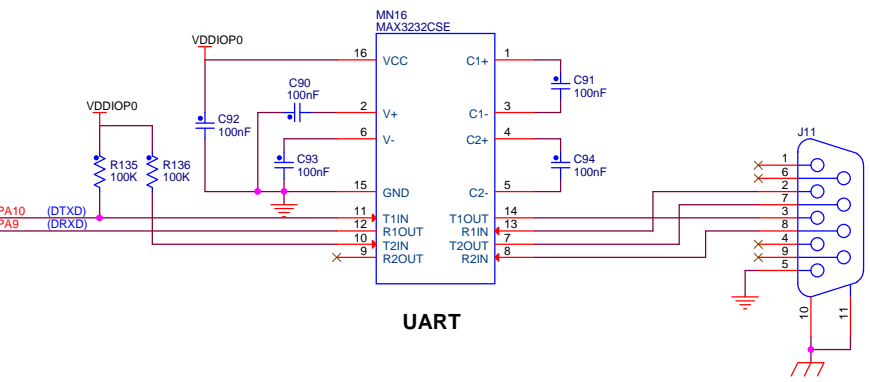
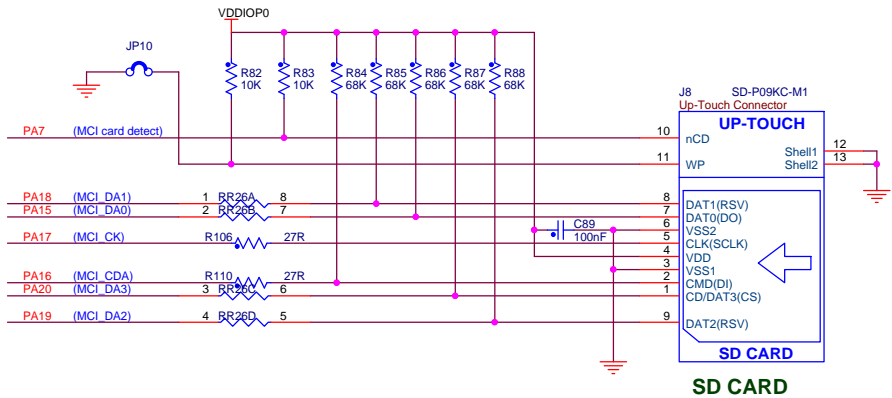
ATMEL
ROUSSET

A	INIT EDIT	PP	05-APR-12	PP	05-APR-12
REV	MODIF.	DES.	DATE	VER.	DATE
SAM9CN11-EK			SCALE 1/1	REV. A	SHEET 5/9
PIO INTERFACES					

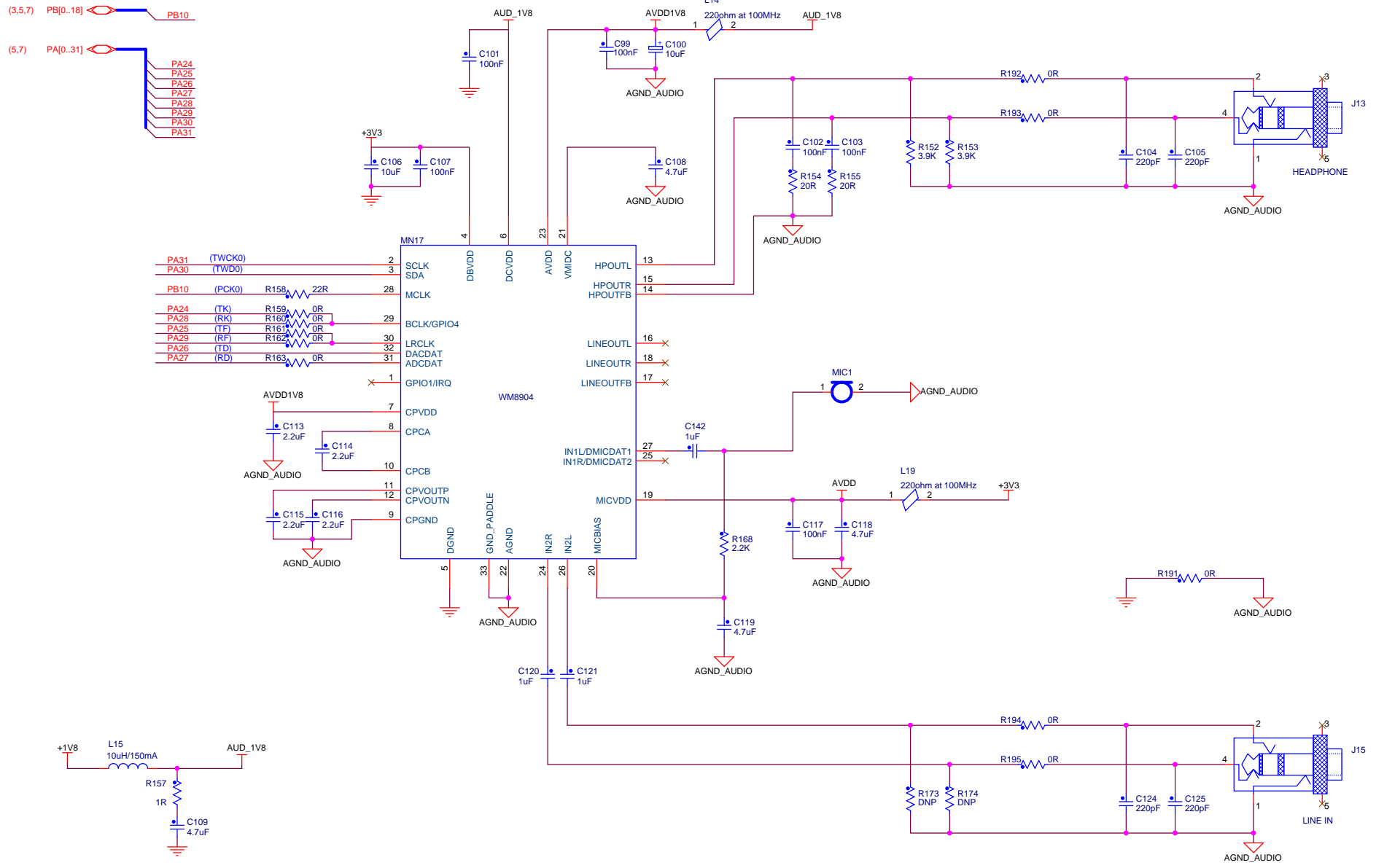
This agreement is our property. Reproduction and publication without our written authorization shall expose offender to legal proceedings.



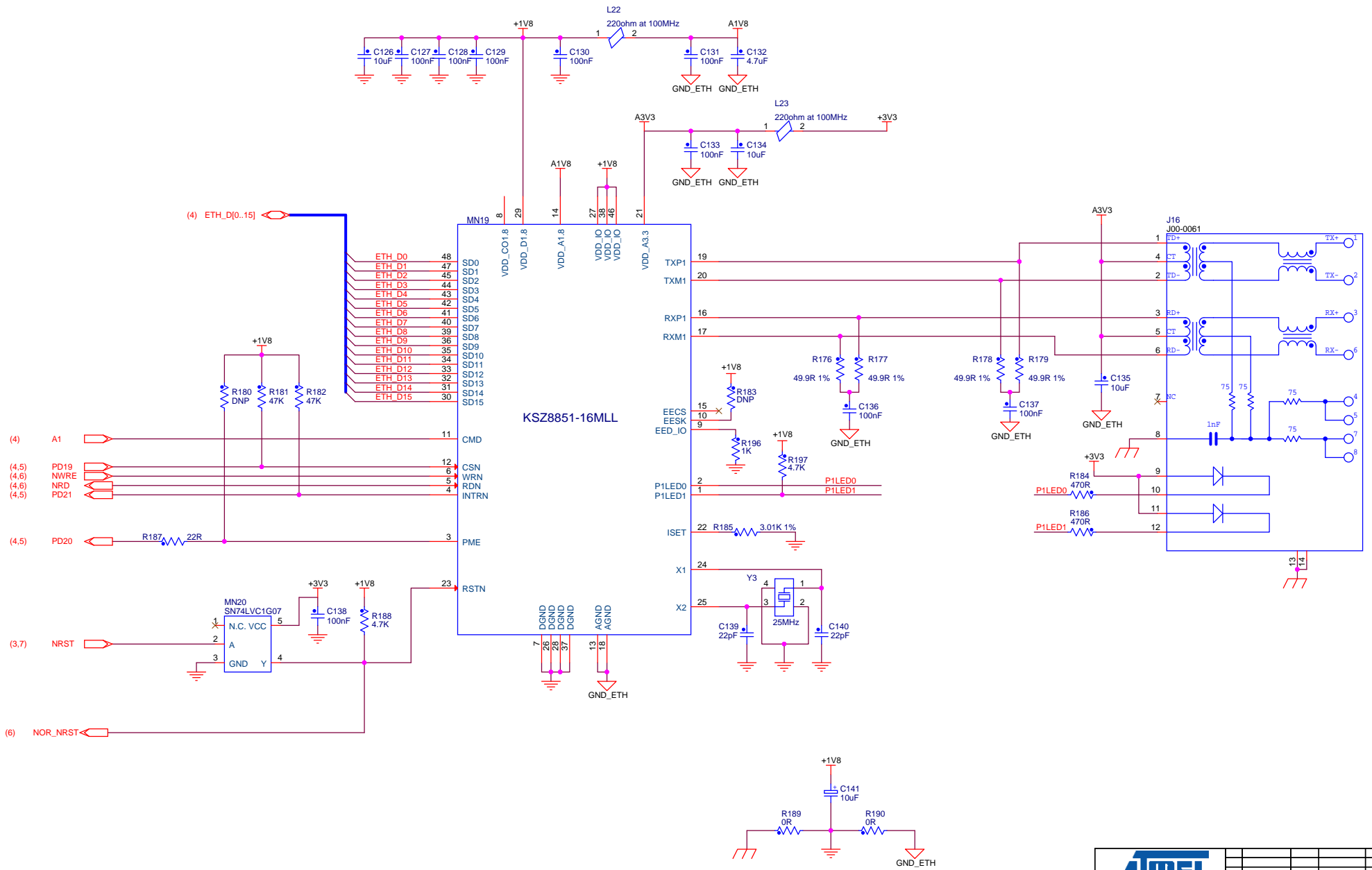
ATMEL ROUSSET					
REV. A	INIT EDIT	PP. DES.	05-APR-12	PP. VER.	05-APR-12
SAM9CN11-EK		SCALE	1/1	REV. A	SHEET 6/9
DDR2 NAND FLASH		This agreement is our property. Reproduction and publication without our written authorization shall expose offender to legal proceedings.			



ATMEL ROUSSET		REV. A		INIT EDIT	PP	05-APR-12	PP	05-APR-12
SAM9CN11-EK		SCALE	1/1	MODIF.	DES.	DATE	VER.	DATE
SERIAL INTERFACES						REV. A		SHEET 7/9



ATMEL ROUSSET					
REV. A	INIT. EDIT	PP. DES.	05-APR-12	PP. VER.	05-APR-12
SAM9CN11-EK		SCALE	1/1	REV. A	SHEET 8/9
AUDIO		This agreement is our property. Reproduction and publication without our written authorization shall expose offender to legal proceedings.			



ATMEL ROUSSET					
REV. A	INIT EDIT	PP DES.	05-APR-12	PP VER.	05-APR-12
SAM9CN11-EK		SCALE	1/1	REV. A	SHEET 9/9
ETH		This agreement is our property. Reproduction and publication without our written authorization shall expose offender to legal proceedings.			

Display Module Hardware

6.1 Board Overview

SAM9N12/CN11-DM board carries a 4.3" TFT LCD module with touch screen.

The DM board also carries four QTouch pads.

Figure 6-1. DM Board



6.2 Equipment List

Here is the list of the DM board components:

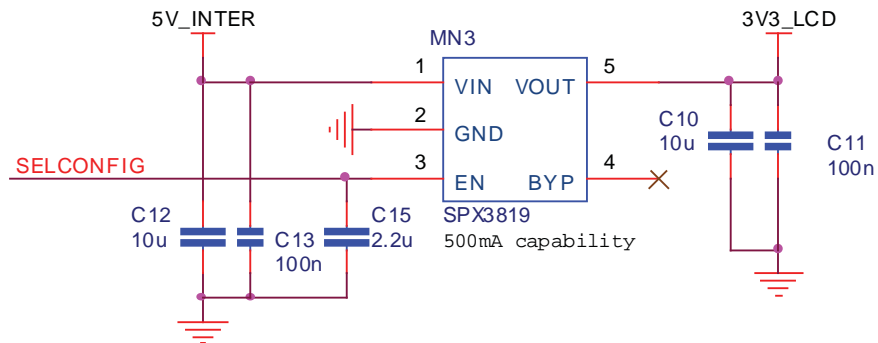
- One 4.3" TFT LCD module
- LCD Back light driver
- 3.3V regulator
- QTouch device
- 1-Wire device

6.3 Function Blocks

6.3.1 3.3V Regulator

The SAM9N12/CN11-DM board features its own LDO for local power regulation. It accepts DC 5V power from a 500 mA power switch on the EK and outputs a regulated +3.3V to most other circuits on the board.

Figure 6-2. DM Board Power Supply



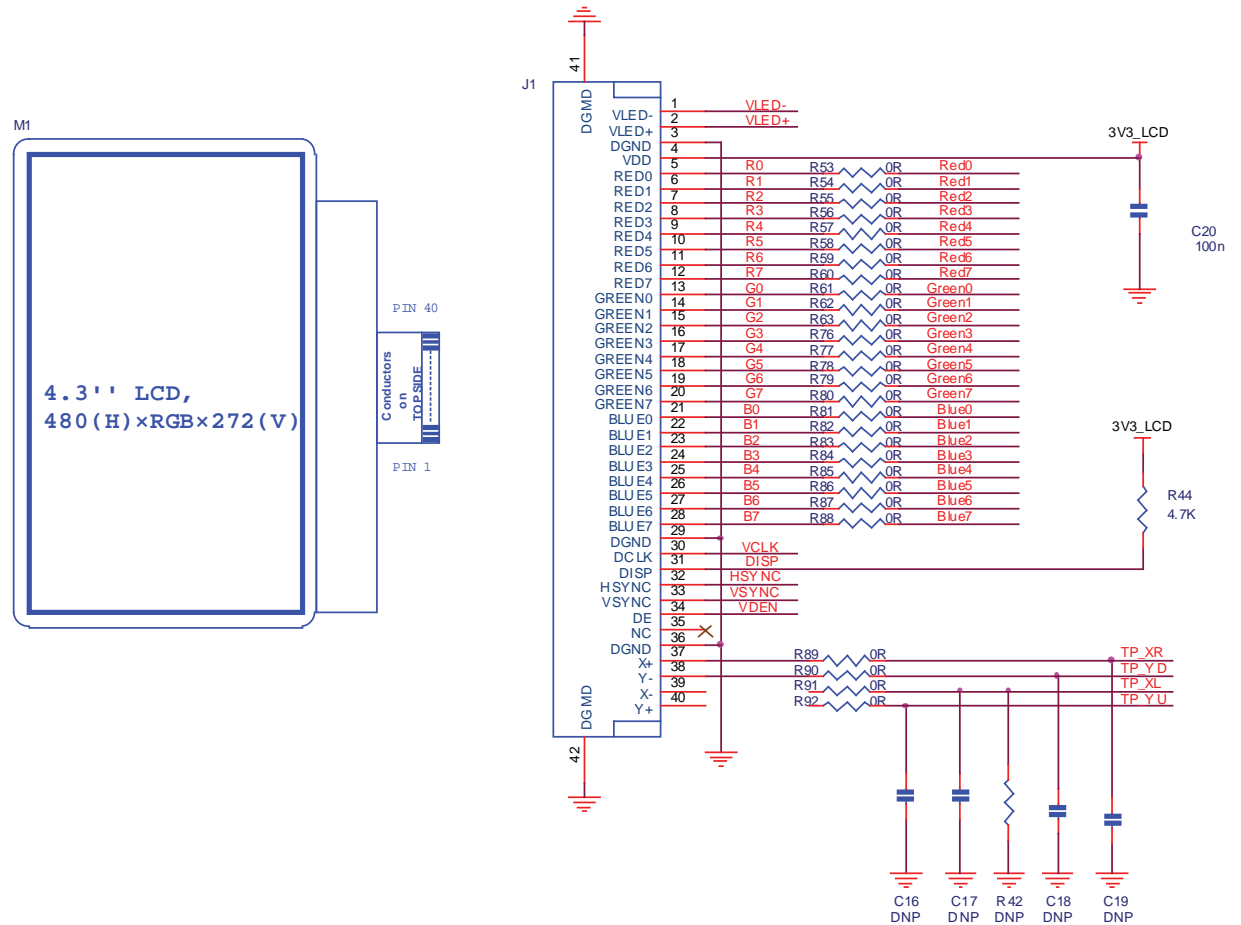
6.3.2 TFT LCD with Touch Panel

The SAM9N12/CN11-DM board features an LCD controller. The 4.3" 480x272 LCD provides the DM with a low power LCD display feature, back light unit and a touch panel, similar to that used on commercial PDAs.

Graphics and text can be displayed on the dot matrix panel with up to 16 million colors by supplying 24-bit data signals (8 bit x RGB by default). This allows the user to develop graphical user interfaces for a wide variety of end applications.

Warning: Never connect/disconnect the LCD display from the board while the power supply is on. Doing so may damage both units.

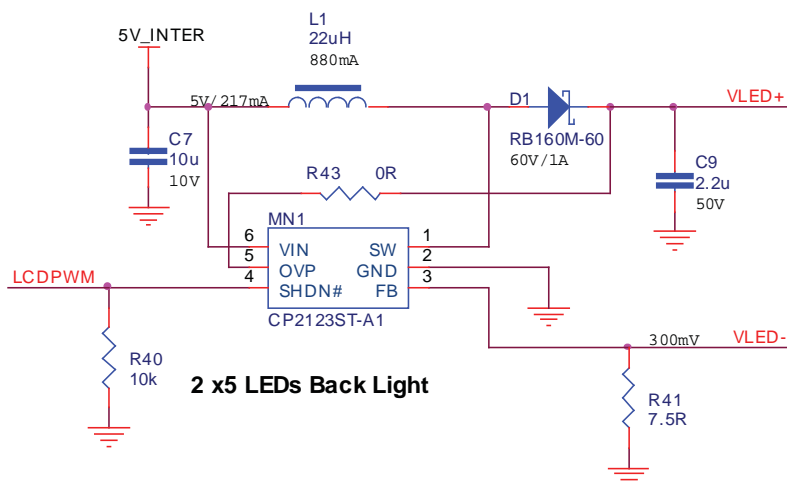
Figure 6-3. LCD with Touch Panel



6.3.3 Back Light

The back light voltage is generated from a CP2122ST boost converter. It is powered directly by the DC 5 V from the EK board. The back light level is controlled by a PWM signal generated from the SAM9N12/CN11 processor.

Figure 6-4. Back Light Control

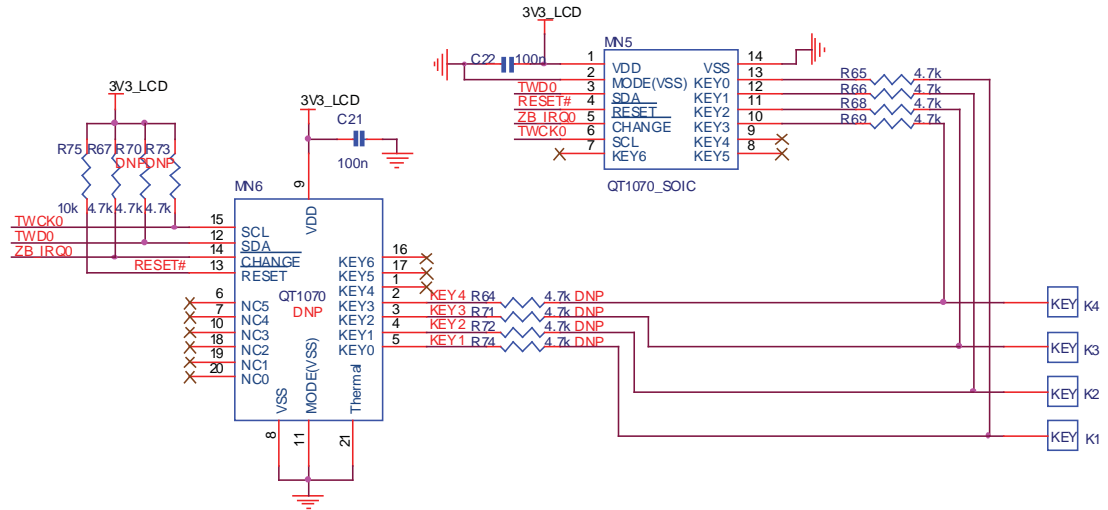


6.3.4 QTouch

The SAM9N12/CN11-DM board carries a QTouch device piloted through a TWI interface. It manages four capacitive touch buttons directly printed on the PCB.

There are dual footprints for the QTouch device, and SOIC is the default mounted one.

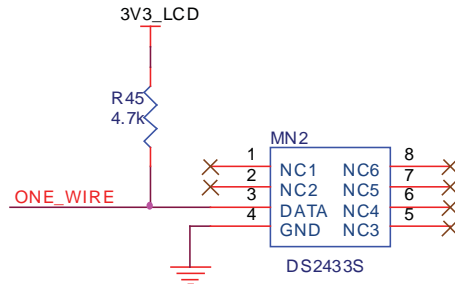
Figure 6-5. QTouch



6.3.5 1-Wire

The DM board also uses 1-Wire device as “soft label” to store the information such as chip type, manufacture name, production date, etc.

Figure 6-6. 1-Wire on DM





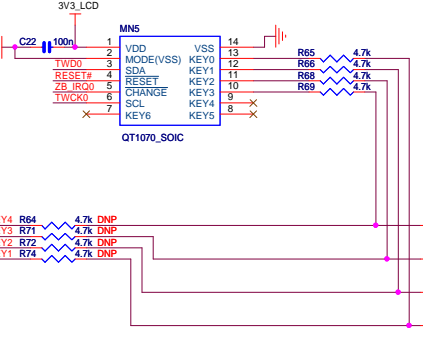
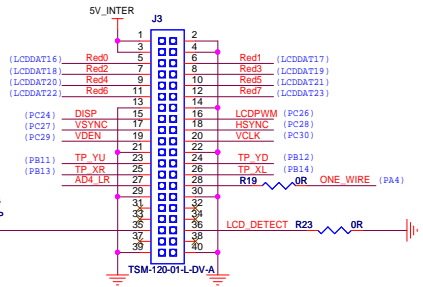
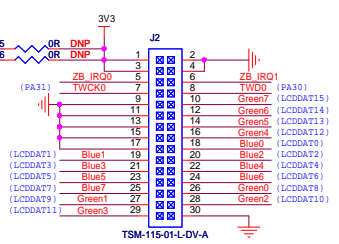
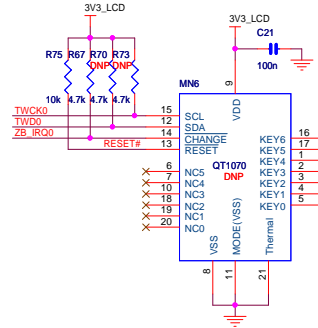
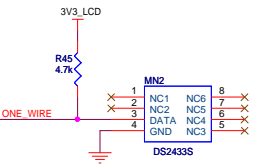
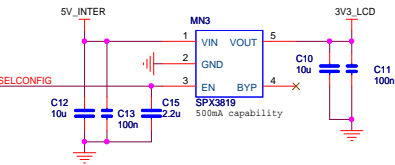
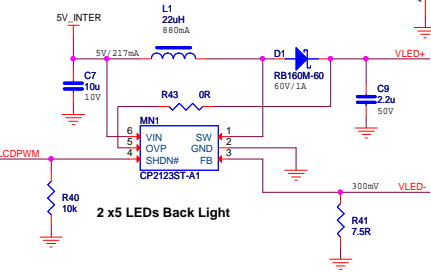
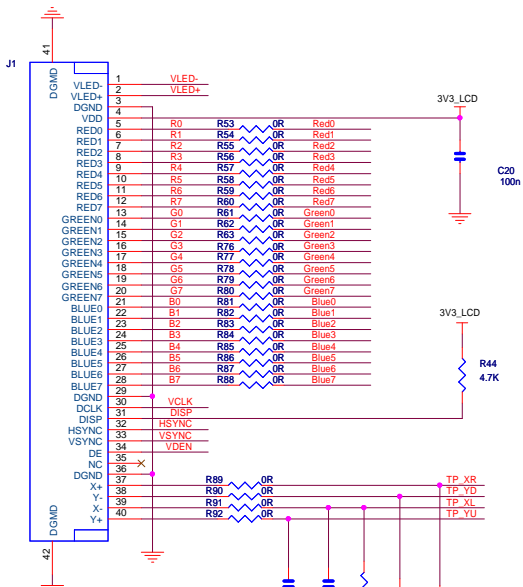
7.1 DM Board Schematics

This section contains the following schematic:

- LCD Board

**4.3" LCD,
480 (H) x RGB x 272 (V)**

Connectors on TOP SIDE



ATMEL					
SAMSUNG11-EK		PP DES.		05-APR-12	
LCD BOARD		PP VER.		05-APR-12	
SCALE 1/1		REV. A		SHEET 1/1	



Section 8

Revision History

8.1 Revision History

Table 8-1.

Document	Comments	Change Request Ref.
11186A	First issue.	



Headquarters

Atmel Corporation

2325 Orchard Parkway
San Jose, CA 95131
USA
Tel: (+1) (408) 441-0311
Fax: (+1) (408) 487-2600

International

Atmel Asia Limited

Unit 01-5 & 16, 19F
BEA Tower, Millennium City 5
418 Kwun Tong Road
Kwun Tong, Kowloon
HONG KONG
Tel: (+852) 2245-6100
Fax: (+852) 2722-1369

Atmel Munich GmbH

Business Campus
Parking 4
D-85748 Garching b. Munich
GERMANY
Tel: (+49) 89-31970-0
Fax: (+49) 89-3194621

Atmel Japan

9F, Tonetsu Shinkawa Bldg.
1-24-8 Shinkawa
Chuo-ku, Tokyo 104-0033
JAPAN
Tel: (81) 3-3523-3551
Fax: (81) 3-3523-7581

Product Contact

Web Site

www.atmel.com
www.atmel.com/AT91SAM

Technical Support

[AT91SAM Support](#)
[Atmel technical support](#)

Sales Contacts

www.atmel.com/contacts/

Literature Requests

www.atmel.com/literature

Disclaimer: The information in this document is provided in connection with Atmel products. No license, express or implied, by estoppel or otherwise, to any intellectual property right is granted by this document or in connection with the sale of Atmel products. **EXCEPT AS SET FORTH IN ATMEL'S TERMS AND CONDITIONS OF SALE LOCATED ON ATMEL'S WEB SITE, ATMEL ASSUMES NO LIABILITY WHATSOEVER AND DISCLAIMS ANY EXPRESS, IMPLIED OR STATUTORY WARRANTY RELATING TO ITS PRODUCTS INCLUDING, BUT NOT LIMITED TO, THE IMPLIED WARRANTY OF MERCHANTABILITY, FITNESS FOR A PARTICULAR PURPOSE, OR NON-INFRINGEMENT. IN NO EVENT SHALL ATMEL BE LIABLE FOR ANY DIRECT, INDIRECT, CONSEQUENTIAL, PUNITIVE, SPECIAL OR INCIDENTAL DAMAGES (INCLUDING, WITHOUT LIMITATION, DAMAGES FOR LOSS OF PROFITS, BUSINESS INTERRUPTION, OR LOSS OF INFORMATION) ARISING OUT OF THE USE OR INABILITY TO USE THIS DOCUMENT, EVEN IF ATMEL HAS BEEN ADVISED OF THE POSSIBILITY OF SUCH DAMAGES.** Atmel makes no representations or warranties with respect to the accuracy or completeness of the contents of this document and reserves the right to make changes to specifications and product descriptions at any time without notice. Atmel does not make any commitment to update the information contained herein. Unless specifically provided otherwise, Atmel products are not suitable for, and shall not be used in, automotive applications. Atmel's products are not intended, authorized, or warranted for use as components in applications intended to support or sustain life.



© 2012 Atmel Corporation. All rights reserved. Atmel®, Atmel logo and combinations thereof, QTouch® and others are registered trademarks or trademarks of Atmel Corporation or its subsidiaries. ARM®, ARM®Powered logo, Cortex™ and others are registered trademarks or trademarks of ARM Ltd. Other terms and product names may be trademarks of others.

Mouser Electronics

Authorized Distributor

Click to View Pricing, Inventory, Delivery & Lifecycle Information:

[Atmel:](#)

[AT91SAM9CN11-EK](#)

Компания «Океан Электроники» предлагает заключение долгосрочных отношений при поставках импортных электронных компонентов на взаимовыгодных условиях!

Наши преимущества:

- Поставка оригинальных импортных электронных компонентов напрямую с производств Америки, Европы и Азии, а так же с крупнейших складов мира;
- Широкая линейка поставок активных и пассивных импортных электронных компонентов (более 30 млн. наименований);
- Поставка сложных, дефицитных, либо снятых с производства позиций;
- Оперативные сроки поставки под заказ (от 5 рабочих дней);
- Экспресс доставка в любую точку России;
- Помощь Конструкторского Отдела и консультации квалифицированных инженеров;
- Техническая поддержка проекта, помощь в подборе аналогов, поставка прототипов;
- Поставка электронных компонентов под контролем ВП;
- Система менеджмента качества сертифицирована по Международному стандарту ISO 9001;
- При необходимости вся продукция военного и аэрокосмического назначения проходит испытания и сертификацию в лаборатории (по согласованию с заказчиком);
- Поставка специализированных компонентов военного и аэрокосмического уровня качества (Xilinx, Altera, Analog Devices, Intersil, Interpoint, Microsemi, Actel, Aeroflex, Peregrine, VPT, Syfer, Eurofarad, Texas Instruments, MS Kennedy, Miteq, Cobham, E2V, MA-COM, Hittite, Mini-Circuits, General Dynamics и др.);

Компания «Океан Электроники» является официальным дистрибьютором и эксклюзивным представителем в России одного из крупнейших производителей разъемов военного и аэрокосмического назначения «JONHON», а так же официальным дистрибьютором и эксклюзивным представителем в России производителя высокотехнологичных и надежных решений для передачи СВЧ сигналов «FORSTAR».



JONHON

«JONHON» (основан в 1970 г.)

Разъемы специального, военного и аэрокосмического назначения:

(Применяются в военной, авиационной, аэрокосмической, морской, железнодорожной, горно- и нефтедобывающей отраслях промышленности)

«FORSTAR» (основан в 1998 г.)

ВЧ соединители, коаксиальные кабели, кабельные сборки и микроволновые компоненты:

(Применяются в телекоммуникациях гражданского и специального назначения, в средствах связи, РЛС, а так же военной, авиационной и аэрокосмической отраслях промышленности).



Телефон: 8 (812) 309-75-97 (многоканальный)

Факс: 8 (812) 320-03-32

Электронная почта: ocean@oceanchips.ru

Web: <http://oceanchips.ru/>

Адрес: 198099, г. Санкт-Петербург, ул. Калинина, д. 2, корп. 4, лит. А