

PLEASE CHECK WWW.MOLEX.COM FOR LATEST PART INFORMATION

Part Number: [0879191001](#)
Status: **Active**
Description: 1.00mm (.039") Pitch DDR-2 DIMM Socket, 25 Degree Reverse Angle, Through Hole, Natural Latches, 240 Circuits, 1.8V Voltage Key, 4.00mm (.157") Tail Length, 0.76µm (30µ") Gold (Au) Plating, Lead-free

Documents:

[3D Model](#) [Product Specification PS-87919-006 \(PDF\)](#)
[Drawing \(PDF\)](#) [RoHS Certificate of Compliance \(PDF\)](#)

General

Product Family	Memory Module Sockets
Series	87919
Comments	Latches in Off-White Color
Component Type	Socket
JEDEC Outline	MO-237
Product Name	DDR2 DIMM

Physical

Circuits (Loaded)	240
Color - Resin	Black, Natural
Durability (mating cycles max)	25
Entry Angle	25° Angle
Keying to Mating Part	Yes
Material - Plating Mating	Gold
Material - Plating Termination	Tin
Material - Resin	High Temperature Thermoplastic
PC Tail Length (in)	0.157 In
PC Tail Length (mm)	4.00 mm
PCB Locator	Yes
PCB Retention	Yes
PCB Thickness Recommended (in)	0.125 In
PCB Thickness Recommended (mm)	3.18 mm
Packaging Type	Tray
Pitch - Mating Interface (in)	0.039 In
Pitch - Mating Interface (mm)	1.00 mm
Plating min: Mating (µin)	30
Plating min: Mating (µm)	0.76
Plating min: Termination (µin)	100
Plating min: Termination (µm)	2.54
Temperature Range - Operating	-55°C to +85°C
Termination Interface: Style	Through Hole

Electrical

Current - Maximum per Contact	0.5A
Voltage - Maximum	30V
Voltage Key	1.8V

Material Info

Reference - Drawing Numbers

Product Specification	PS-87919-006
Sales Drawing	SD-87919-001

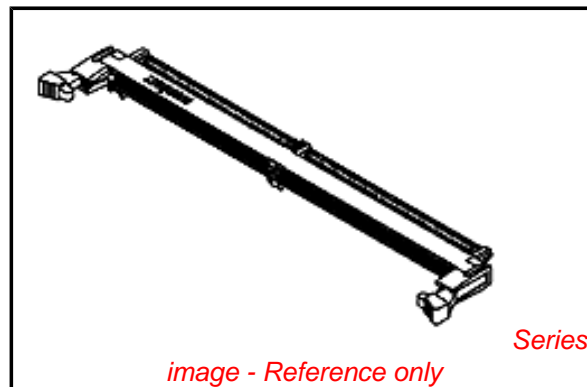


image - Reference only

EU RoHS

**ELV and RoHS
Compliant**
**REACH SVHC
Contains SVHC: No
Halogen-Free
Status**

China RoHS



**Need more information on product
environmental compliance?**

Email productcompliance@molex.com
 For a multiple part number RoHS Certificate of Compliance, [click here](#)

Please visit the [Contact Us](#) section for any non-product compliance questions.

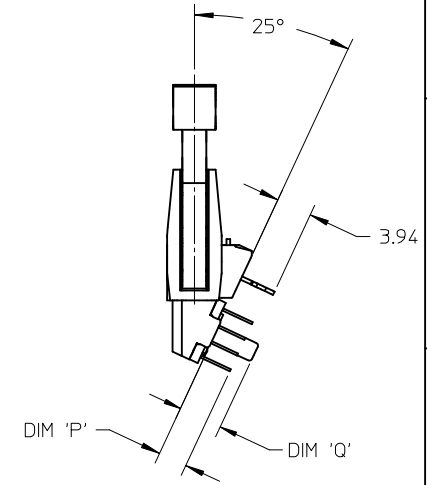
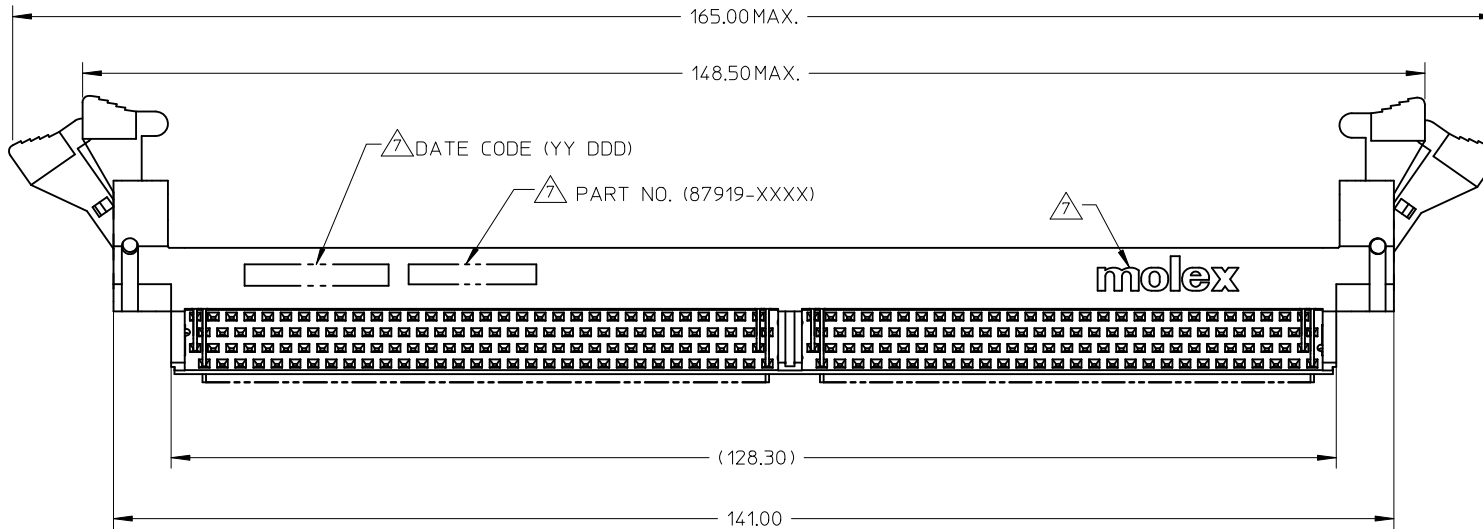
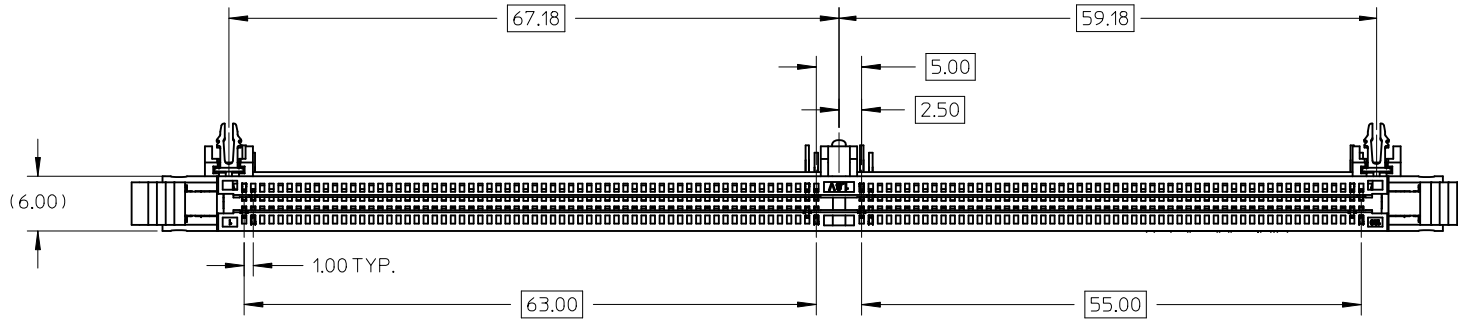
Search Parts in this Series

87919Series

Mates With

JEDEC standard 1.27mm modules

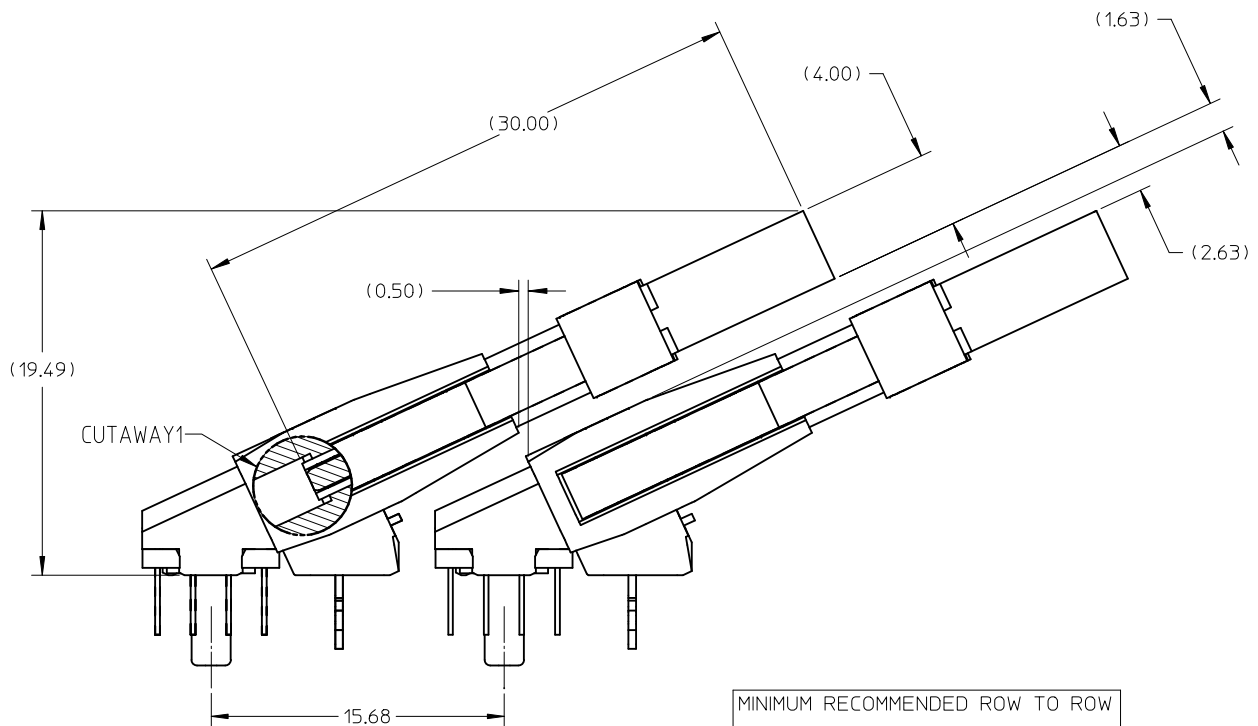
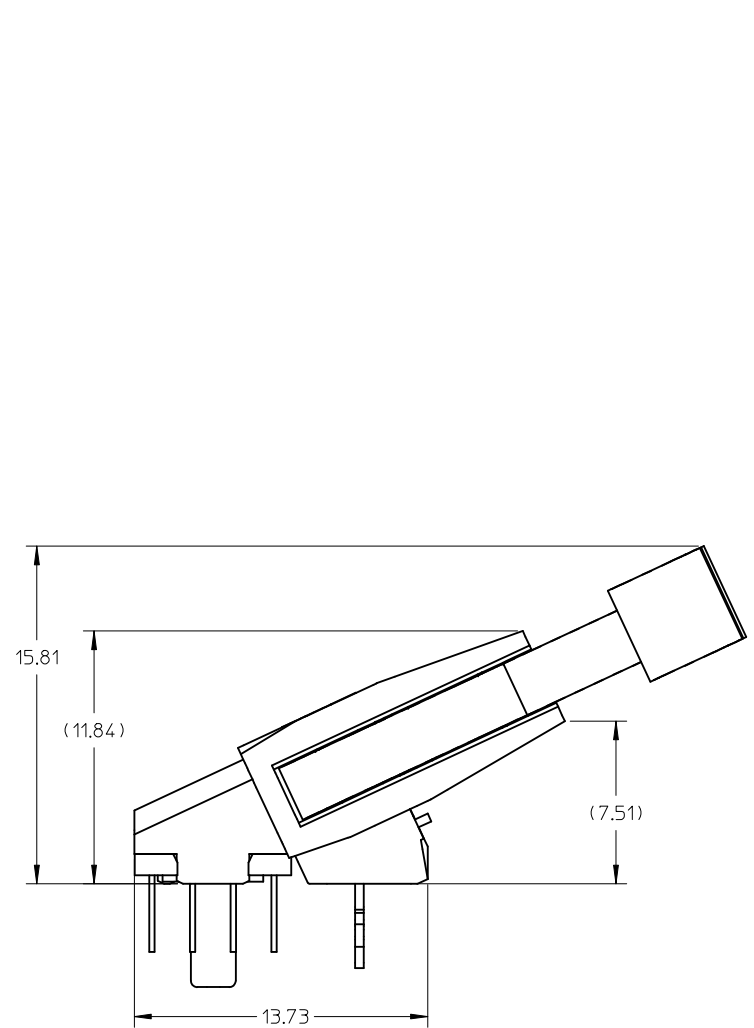
PLEASE CHECK WWW.MOLEX.COM FOR LATEST PART INFORMATION



NOTES:

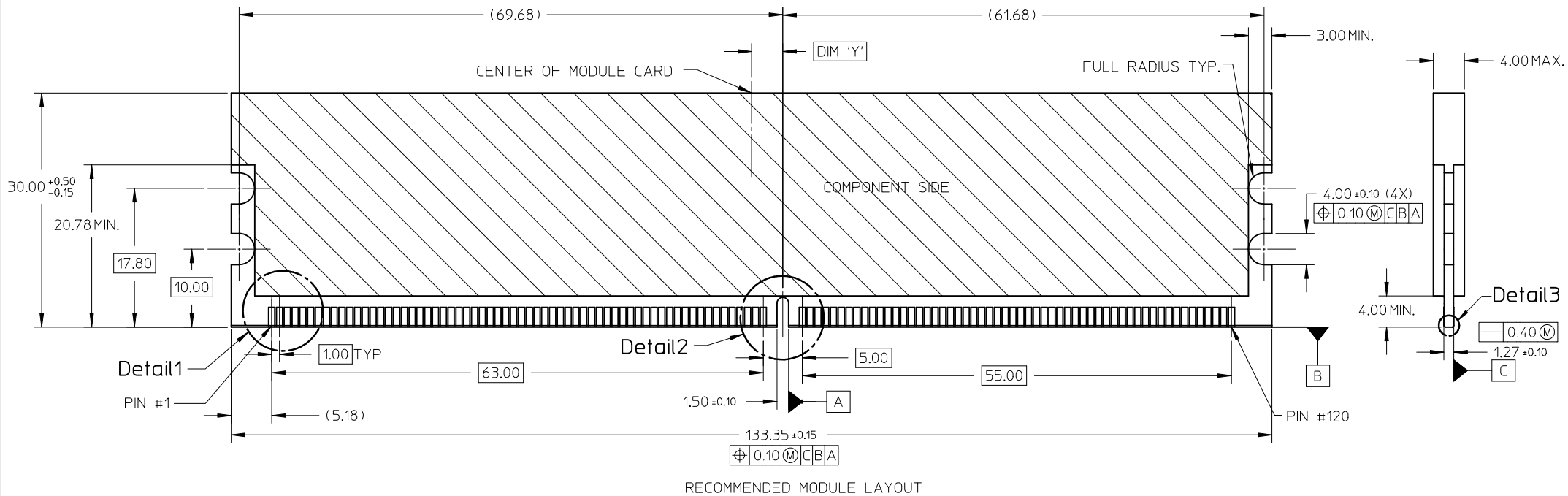
- MATERIAL : HOUSING & BASEPLATE.
 - LCP, GLASS FILLED, UL94-V0, BLACK.
 LATCH.
 - HIGH TEMP. NYLON, GLASS FILLED, UL94-V0, NATURAL (OFF WHITE).
 TERMINALS & FORKLOCK - COPPER ALLOY.
 - PLATING : CONTACT AREA - SEE TABLE ON SHEET 5.
 SOLDERTAIL - SEE TABLE ON SHEET 5.
 - CARD SLOT ACCEPTS 1.27+/-0.10MM MODULE THICKNESS (MEASURED OVER PC PADS).
 - REFER TO PRODUCT SPECIFICATION, PS-87919-001 FOR PERFORMANCE SPECIFICATION.
 - RECOMMENDED MODULE CARD LAYOUT SHALL BE AS PER JEDEC MO-237.
 - PRODUCT SHALL BE PACKED IN TRAY. PLS REFER TO SHEET 3.
- MOLEX LOGO, DATE & PART NUMBER INDICATED ON HOUSING.

ADDED OPTION EC NO: S2010-0393 DRWN:LCCTH 2009/11/16 CH'KD:CGTAN 2009/11/16 APPR:SHLENI 2009/11/17	DESCRIPTION REV A7	QUALITY SYMBOLS	GENERAL TOLERANCES (UNLESS SPECIFIED)	DIMENSION STYLE	SCALE	DESIGN UNITS	THIRD ANGLE PROJECTION
		$F_A=0$ $F_G=0$ $F_P=0$	mm INCH 4 PLACES ± --- ± --- 3 PLACES ± --- ± --- 2 PLACES ± 0.25 ± --- 1 PLACE ± --- ± --- ANGULAR ± 5 °	MM ONLY	NTS	METRIC	
			DRAFT WHERE APPLICABLE MUST REMAIN WITHIN DIMENSIONS	DRAWN BY DATE JTAN 2004/05/26 CHECKED BY DATE MLONG 2004/06/11 APPROVED BY DATE GGLEE 2004/06/11	TITLE	DDR2 DIMM, 1.00MM PITCH 240 CKTS, 25 DEG. REVERSE ANGLE	
				MATERIAL NO. SEE TABLE SIZE A3	DOCUMENT NO. SD-87919-001 SHEET NO. 1 OF 6	MOLEX INCORPORATED	

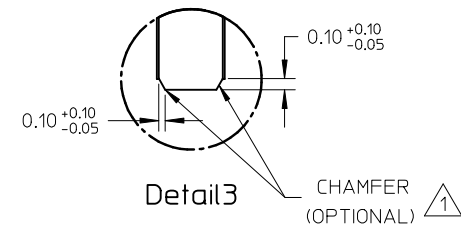
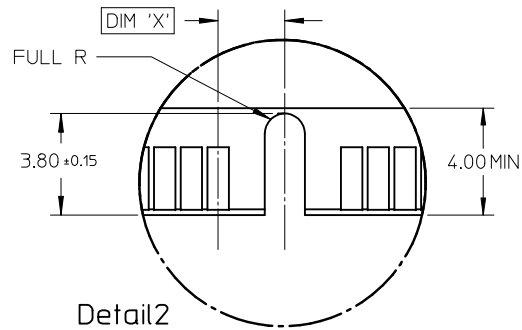
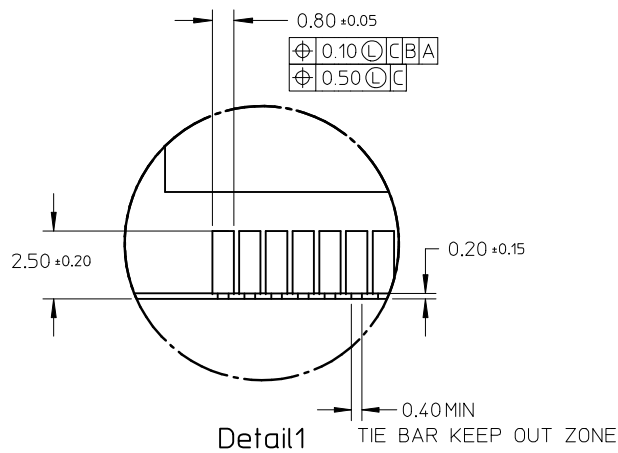


MINIMUM RECOMMENDED ROW TO ROW SPACING WHEN USING 4.00MM THICK MODULE.

ADDED OPTION EC NO: S2010-0393 DRWN:CCTEH 2009/11/16 CHKD:CGTAN 2009/11/16 APPR:SHLENI 2009/11/17	QUALITY SYMBOLS $F_A=0$ $F_E=0$ $F_P=0$	GENERAL TOLERANCES (UNLESS SPECIFIED)		DIMENSION STYLE MM ONLY		SCALE NTS	DESIGN UNITS METRIC	THIRD ANGLE PROJECTION	
		4 PLACES \pm --- \pm ---	mm INCH	DRAWN BY JTAN	DATE 2004/05/26	TITLE DDR2 DIMM, 1.00MM PITCH 240 CKTS, 25 DEG. REVERSE ANGLE			
		3 PLACES \pm --- \pm ---		CHECKED BY MLONG	DATE 2004/06/11				
		2 PLACES \pm 0.25 \pm ---		APPROVED BY GGLEE	DATE 2004/06/11	MOLEX INCORPORATED			
1 PLACE \pm --- \pm ---	ANGULAR \pm 5 °	MATERIAL NO. SEE TABLE		DOCUMENT NO. SD-87919-001	SHEET NO. 2 OF 6				
REV A7	DESCRIPTION DRAFT WHERE APPLICABLE MUST REMAIN WITHIN DIMENSIONS	SIZE A3 THIS DRAWING CONTAINS INFORMATION THAT IS PROPRIETARY TO MOLEX INCORPORATED AND SHOULD NOT BE USED WITHOUT WRITTEN PERMISSION							



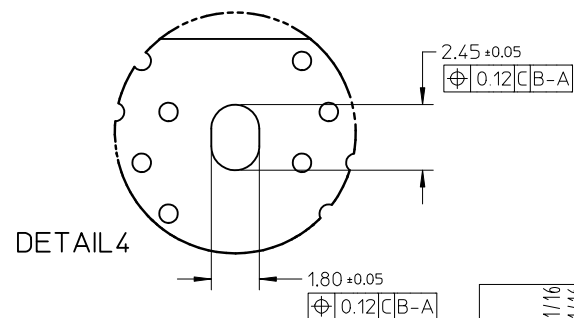
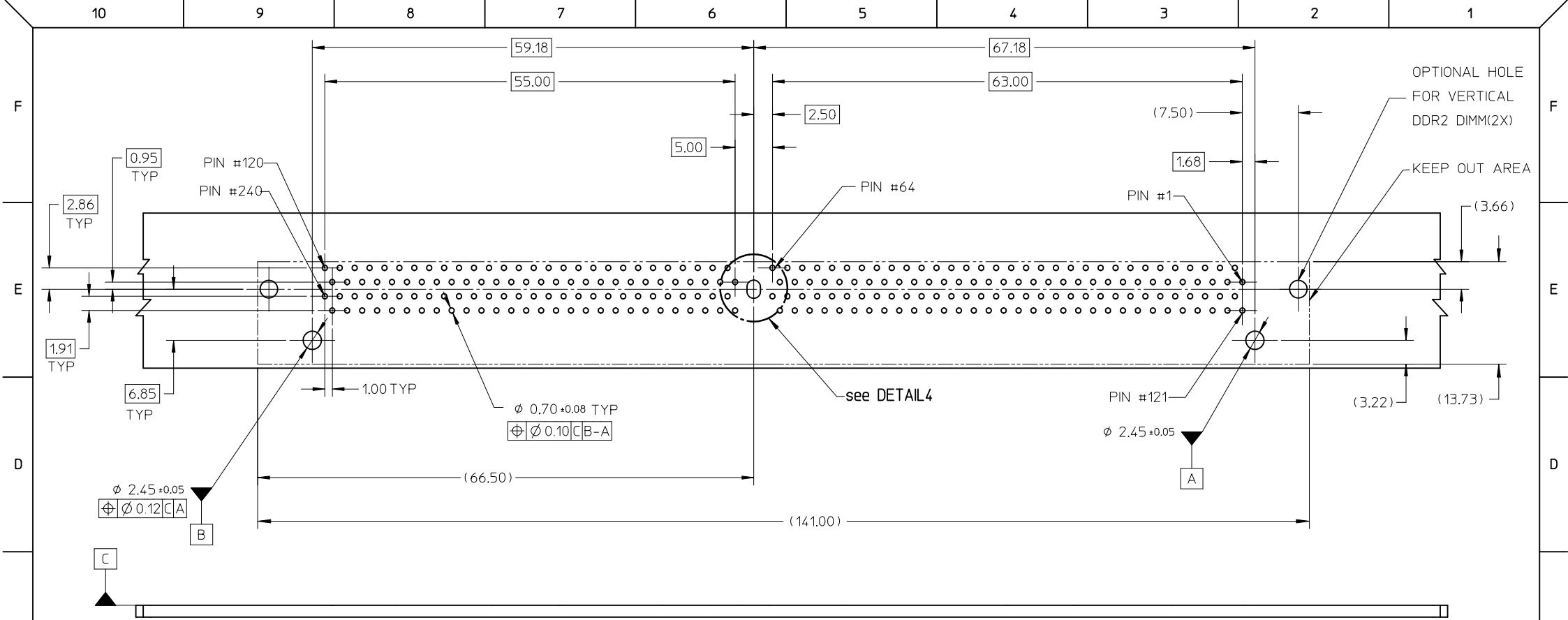
RECOMMENDED MODULE LAYOUT



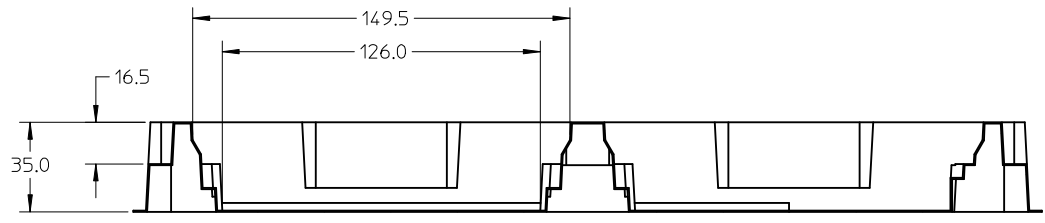
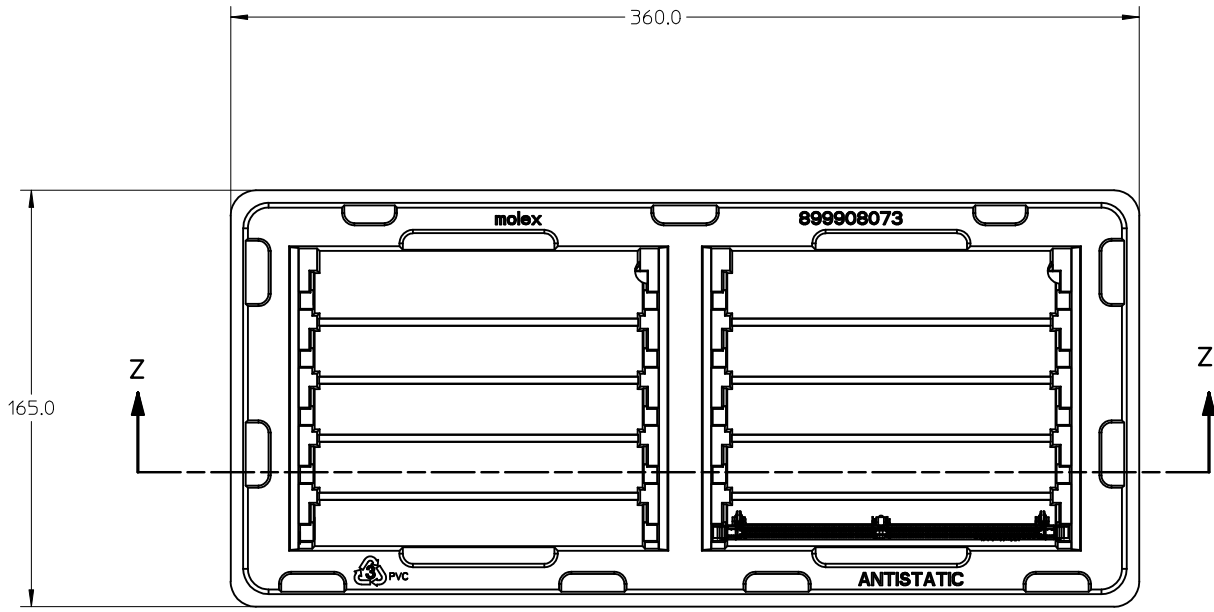
KEY LOCATION	VOLTAGE	DIM 'X'	DIM 'Y'
CENTER	1.8V	2.50	4.00

NOTES :
 1 MODULE CARD USED IN PRODUCT TESTING ARE CHAMFERED.

ADDED OPTION EC NO: S2010-0393 DRWN: CCTH CHKD: CGTAN APPR: SILENI 2009/11/16 2009/11/16 2009/11/17	QUALITY SYMBOLS $F_A=0$ $F_C=0$ $F_P=0$	GENERAL TOLERANCES (UNLESS SPECIFIED)		DIMENSION STYLE MM ONLY		SCALE NTS	DESIGN UNITS METRIC	THIRD ANGLE PROJECTION		
		4 PLACES	± ---	± ---	DRAWN BY	DATE	TITLE DDR2 DIMM, 1.00MM PITCH 240 CKTS, 25 DEG. REVERSE ANGLE			
		3 PLACES	± ---	± ---	JTAN	2004/05/26				
		2 PLACES	± 0.25	± ---	CHECKED BY	DATE	MOLEX INCORPORATED			
1 PLACE	± ---	± ---	MLONG	2004/06/11						
ANGULAR ± 5 °		DRAFT WHERE APPLICABLE MUST REMAIN WITHIN DIMENSIONS		APPROVED BY GGLEE		DATE 2004/06/11		MOLEX INCORPORATED		
MATERIAL NO.		SEE TABLE		DOCUMENT NO. SD-87919-001		SHEET NO. 3 OF 6		THIS DRAWING CONTAINS INFORMATION THAT IS PROPRIETARY TO MOLEX INCORPORATED AND SHOULD NOT BE USED WITHOUT WRITTEN PERMISSION		



ADDED OPTION EC NO: S2010-0393 DRWN: CCTH CH'KD: CGTAN APPR: SLENI 2009/11/16 2009/11/16 2009/11/17	DESCRIPTION REV	QUALITY SYMBOLS $F_A = 0$ $F_C = 0$ $F_B = 0$	GENERAL TOLERANCES (UNLESS SPECIFIED)		DIMENSION STYLE MM ONLY		SCALE NTS	DESIGN UNITS METRIC	THIRD ANGLE PROJECTION		
		$4 \text{ PLACES } \pm \text{---}$	mm	INCH	DRAWN BY JTAN	DATE 2004/05/26	TITLE DDR2 DIMM, 1.00MM PITCH 240 CKTS, 25 DEG. REVERSE ANGLE				
		$3 \text{ PLACES } \pm \text{---}$	± 0.25	$\pm \text{---}$	CHECKED BY MLONG	DATE 2004/06/11	MOLEX INCORPORATED				
		$1 \text{ PLACE } \pm \text{---}$	ANGULAR $\pm 5^\circ$		APPROVED BY GGLEE	DATE 2004/06/11	MATERIAL NO. SEE TABLE	DOCUMENT NO. SD-87919-001	SHEET NO. 4 OF 6		
DRAFT WHERE APPLICABLE MUST REMAIN WITHIN DIMENSIONS			THIS DRAWING CONTAINS INFORMATION THAT IS PROPRIETARY TO MOLEX INCORPORATED AND SHOULD NOT BE USED WITHOUT WRITTEN PERMISSION								



SECTION Z-Z

NOTE:
1. CAVITY QTY : 2 X 5 = 10

ADDED OPTION EC NO: S2010-0393 DRWN:CCTEH 2009/11/16 CHKD:CGTAN 2009/11/16 APPR:SHLENI 2009/11/17	QUALITY SYMBOLS $F_A=0$ $F_C=0$ $F_P=0$	GENERAL TOLERANCES (UNLESS SPECIFIED)		DIMENSION STYLE MM ONLY		SCALE NTS	DESIGN UNITS METRIC	THIRD ANGLE PROJECTION		
			mm	INCH	DRAWN BY JTAN	DATE 2004/05/26	TITLE DDR2 DIMM, 1.00MM PITCH 240 CKTS, 25 DEG. REVERSE ANGLE			
		4 PLACES	±---	±---	CHECKED BY MLONG	DATE 2004/06/11				
			mm	INCH	APPROVED BY GGLEE	DATE 2004/06/11	MATERIAL NO. SEE TABLE		DOCUMENT NO. SD-87919-001	

10

9

8

7

6

5

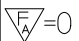
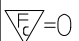
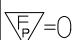
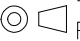
4

3

2

1

PART NO.	VOLTAGE KEY	DIM 'P'	DIM 'Q'	RECOMMENDED PCB THICKNESS	CONTACT AREA PLATING	SOLDERTAIL PLATING	LATCH COLOR
87919-0001	1.8V	2.79	3.18	1.57	0.76μM/ 30μ" GOLD OVER 1.27μM/ 50μ" MIN NICKEL	2.54μM/ 100μ" MIN. TIN OVER 1.27μM/ 50μ" MIN NICKEL	NATURAL
87919-0011		3.18	4.83	2.36			
87919-1001		4.00		3.18			
87919-1002		4.60	3.50				
87919-0101		2.79	3.18	1.57	0.38μM/ 15μ" GOLD OVER 1.27μM/ 50μ" MIN NICKEL		
87919-0111		3.18	4.83	2.36			
87919-0333							BLACK

ADDED OPTION EC NO: S2010-0393 DRWN:CTEH 2009/11/16 CHKD:CGTAN 2009/11/16 APPR:SHLENI 2009/11/17	QUALITY SYMBOLS  = 0  = 0  = 0	GENERAL TOLERANCES (UNLESS SPECIFIED)		DIMENSION STYLE MM ONLY		SCALE NTS	DESIGN UNITS METRIC	 THIRD ANGLE PROJECTION		
		4 PLACES	± ---	± ---	DRAWN BY JTAN	DATE 2004/05/26	TITLE DDR2 DIMM, 1.00MM PITCH 240 CKTS, 25 DEG. REVERSE ANGLE			
		3 PLACES	± ---	± ---	CHECKED BY MLONG	DATE 2004/06/11				
		2 PLACES	± 0.25	± ---	APPROVED BY GGLEE	DATE 2004/06/11				
1 PLACE	± ---	± ---	ANGULAR ± 5 °		MATERIAL NO. SEE TABLE		DOCUMENT NO. SD-87919-001		SHEET NO. 6 OF 6	
DRAFT WHERE APPLICABLE MUST REMAIN WITHIN DIMENSIONS				SIZE A3		THIS DRAWING CONTAINS INFORMATION THAT IS PROPRIETARY TO MOLEX INCORPORATED AND SHOULD NOT BE USED WITHOUT WRITTEN PERMISSION				

9

8

7

6

5

4

3

2

1

Компания «Океан Электроники» предлагает заключение долгосрочных отношений при поставках импортных электронных компонентов на взаимовыгодных условиях!

Наши преимущества:

- Поставка оригинальных импортных электронных компонентов напрямую с производств Америки, Европы и Азии, а так же с крупнейших складов мира;
- Широкая линейка поставок активных и пассивных импортных электронных компонентов (более 30 млн. наименований);
- Поставка сложных, дефицитных, либо снятых с производства позиций;
- Оперативные сроки поставки под заказ (от 5 рабочих дней);
- Экспресс доставка в любую точку России;
- Помощь Конструкторского Отдела и консультации квалифицированных инженеров;
- Техническая поддержка проекта, помощь в подборе аналогов, поставка прототипов;
- Поставка электронных компонентов под контролем ВП;
- Система менеджмента качества сертифицирована по Международному стандарту ISO 9001;
- При необходимости вся продукция военного и аэрокосмического назначения проходит испытания и сертификацию в лаборатории (по согласованию с заказчиком);
- Поставка специализированных компонентов военного и аэрокосмического уровня качества (Xilinx, Altera, Analog Devices, Intersil, Interpoint, Microsemi, Actel, Aeroflex, Peregrine, VPT, Syfer, Eurofarad, Texas Instruments, MS Kennedy, Miteq, Cobham, E2V, MA-COM, Hittite, Mini-Circuits, General Dynamics и др.);

Компания «Океан Электроники» является официальным дистрибьютором и эксклюзивным представителем в России одного из крупнейших производителей разъемов военного и аэрокосмического назначения «JONHON», а так же официальным дистрибьютором и эксклюзивным представителем в России производителя высокотехнологичных и надежных решений для передачи СВЧ сигналов «FORSTAR».



JONHON

«JONHON» (основан в 1970 г.)

Разъемы специального, военного и аэрокосмического назначения:

(Применяются в военной, авиационной, аэрокосмической, морской, железнодорожной, горно- и нефтедобывающей отраслях промышленности)

«FORSTAR» (основан в 1998 г.)

ВЧ соединители, коаксиальные кабели, кабельные сборки и микроволновые компоненты:

(Применяются в телекоммуникациях гражданского и специального назначения, в средствах связи, РЛС, а так же военной, авиационной и аэрокосмической отраслях промышленности).



Телефон: 8 (812) 309-75-97 (многоканальный)

Факс: 8 (812) 320-03-32

Электронная почта: ocean@oceanchips.ru

Web: <http://oceanchips.ru/>

Адрес: 198099, г. Санкт-Петербург, ул. Калинина, д. 2, корп. 4, лит. А