

NSE10 Series Navigation Switch Encoders

Features/Benefits

- Reduced size 10 mm
- Hollow shaft
- Self clinching terminals
- Positive detent feeling

Typical Applications

- Audio / Video equipment
- Navigation systems
- Computer peripherals



Construction

FUNCTION: Incremental signal.

CONTACT ARRANGEMENT: Phase difference output of two signal A and B.

TERMINAL: PC pin.

Mechanical

NUMBER OF DETENT: 24

DETENT TORQUE: 5 ± 3 mN.m

ROTATIONAL ANGLE: 360° endless.

ROTATIONAL LIFE: 100,000 cycles (1 cycle: 360° CW + 360° CCW).

| Number of Pulse | Number of Detent | Detent Torque | Mounting Height | Designation |
|-----------------|------------------|---------------|-----------------|-------------|
| 12 | 24 | 5mN.m | 7 | NSE10DH127 |
| 12 | 24 | 5mN.m | 9 | NSE10DH129 |
| 12 | 24 | 5mN.m | 11 | NSE10DH1211 |

NOTE: Specifications listed above are for switches with standard options.
For information on specific and custom switches, consult Customer Service Center.

Electrical

MAXIMUM VOLTAGE: 5 VDC.

CURRENT DC: 1 mA

DIELECTRIC STRENGTH: 50 VAC.

INSULATION RESISTANCE: 50 MΩ min / 50 VDC.

BOUNCE TIME: ≤ 5 ms

Environmental

OPERATING TEMPERATURE: -5°C to +45°C.

STORAGE TEMPERATURE: -15°C to +65°C.

Process

SOLDERING PROCESS:

Manual soldering 300°C max., 3s max.

Wave soldering 260°C max., 3s max.

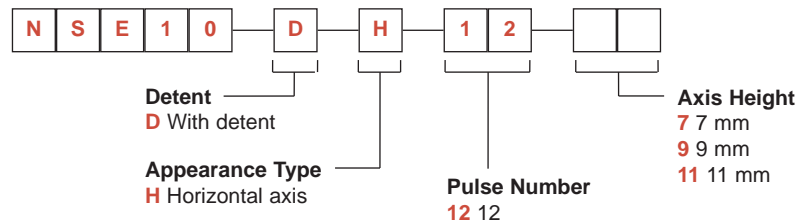
No cleaning.



Navigation

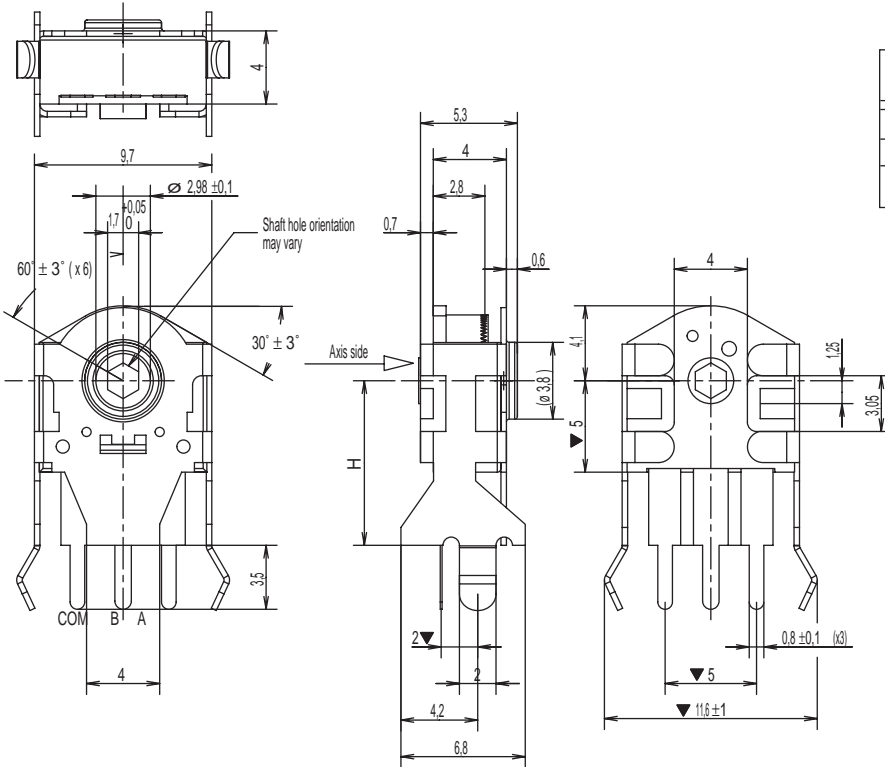
How To Order

Our easy build-a-switch concept allows you to mix and match options to create the switch you need. To order, select desired option from each category and place it in the appropriate box.



NSE10 Series Navigation Switch Encoders

NSE10

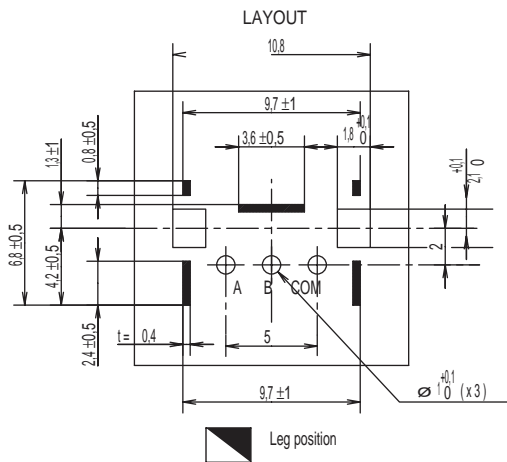


| OPTION CODE | AXIS HEIGHT |
|-------------|-------------|
| 7 | 7 mm |
| 9 | 9 mm |
| 11 | 11 mm |



Navigation

| ELECTRICAL GRAPH | | |
|----------------------------|------------------|--------|
| Shaft rotational direction | Signal | Output |
| C.W. | A (Terminal A-C) | ON |
| | | OFF |
| | B (Terminal B-C) | ON |
| | | OFF |



P.C.B. THICKNESS T = 1.6
View from mounting side

NSE11 Series Navigation Switch Encoders

Features/Benefits

- Select switch
- Metallic shaft
- Self clinching terminals
- Positive detent feeling
- Large variety of shaft

Typical Applications

- Audio / Video equipment
- Navigation systems
- Computer peripherals
- Car radio



Construction

FUNCTION: Incremental signal + select switch.

CONTACT ARRANGEMENT: Phase difference output of two signal A and B.

TERMINAL: PC pin.

Mechanical

NUMBER OF DETENT: 20 or 30

DETENT TORQUE: 3 - 20 mN.m

ROTATIONAL ANGLE: 360° endless.

ROTATIONAL LIFE: 15,000 cycles (1 cycle: 360° CW + 360° CCW).

| Number of Pulse | Number of Detent | Bracket Spacing | Select Function | Designation |
|-----------------|------------------|-----------------|-----------------|-------------------|
| 15 | 30 | 11 mm | No | NSE11DV57NCF215A |
| 20 | 20 | 11 mm | No | NSE11DV57NCF220A |
| 15 | 30 | 11 mm | Yes | NSE11DSV57NAF215A |
| 20 | 20 | 11 mm | Yes | NSE11DSV57NAF220A |
| 15 | 30 | 13,8 mm | Yes | NSE11DSV57NAF215F |
| 20 | 20 | 13,8 mm | Yes | NSE11DSV57NAF220F |

NOTE: Specifications listed above are for switches with standard options.
For information on specific and custom switches, consult Customer Service Center.

Electrical

MAXIMUM VOLTAGE: 5 VDC.

MAXIMUM CURRENT DC: 10 mA

MINIMUM CURRENT DC: 1 mA

DIELECTRIC STRENGTH: 300 VAC / 1 mA.

INSULATION RESISTANCE: 100 MΩ min.

BOUNCE TIME: ≤ 2 ms

Switch Function

CONTACT: SPST

MAXIMUM POWER: 5 VDC 10 mA (min. 1 mA)

CONTACT RESISTANCE: Initial 100mΩ

TRAVEL: 0,5 mm +/- 0,4 mm

OPERATING FORCE: 4,5 +/- 1,5 N

LIFE TIME: 20,000 operations

Environmental

OPERATING TEMPERATURE: -30°C to +70°C.

STORAGE TEMPERATURE: -40°C to +85°C.

Process

SOLDERING PROCESS:

Manual soldering 300°C max., 3s max.

Wave soldering 260°C max., 3s max.

No cleaning.



Navigation

How To Order

Our easy build-a-switch concept allows you to mix and match options to create the switch you need. To order, select desired option from each category and place it in the appropriate box.

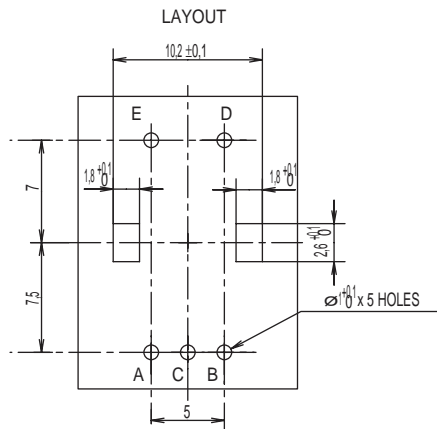
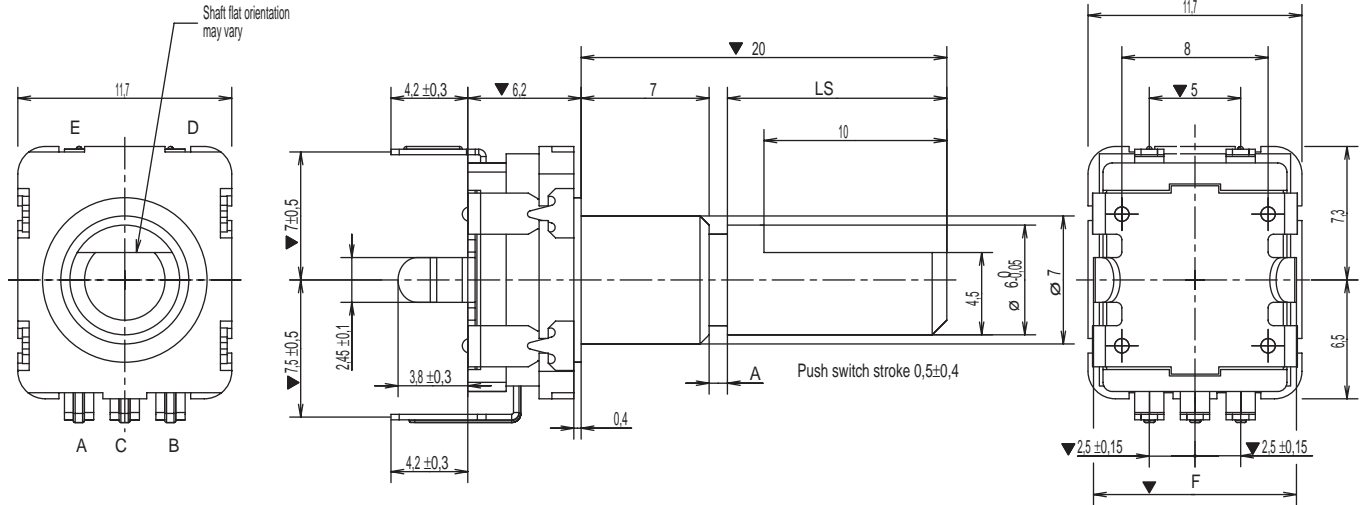


NSE11 Series Navigation Switch Encoders

NSE11



| OPTION CODE | LS Length of Shaft | A Push Switch Slot |
|---------------------------|-----------------------|-----------------------|
| A - with select | 12,5 mm | 0,5 |
| C - without select | 13 mm | no push switch slot |



| OPTION CODE | F Bracket Spacing |
|-------------|----------------------|
| A | 11 mm |
| F | 13.8 mm |

P.C.B. THICKNESS T = 1,6
View from mounting side

15 Pulse

| ELECTRICAL GRAPH | | |
|----------------------------|------------------|-----------|
| Shaft rotational direction | Signal | Output |
| C.W. | A (Terminal A-C) | ON OFF |
| | B (Terminal B-C) | ON OFF |



20 Pulse

| ELECTRICAL GRAPH | | |
|----------------------------|------------------|-----------|
| Shaft rotational direction | Signal | Output |
| C.W. | A (Terminal A-C) | ON OFF |
| | B (Terminal B-C) | ON OFF |



NSE12 Series Navigation Switch Encoders

Features/Benefits

- Select switch
- Low profile
- Self clinching terminals
- Positive detent feeling

Typical Applications

- Audio / Video equipment
- Navigation systems
- White goods equipment
- Car radio



Construction

FUNCTION: Incremental signal + select switch.

CONTACT ARRANGEMENT: Phase difference output of two signal A and B.

TERMINAL: PC pin.

Mechanical

NUMBER OF DETENT: 12 or 24

DETENT TORQUE: 3 - 20 mN.m

ROTATIONAL ANGLE: 360° endless.

ROTATIONAL LIFE: 30,000 cycles (1 cycle: 360° CW + 360° CCW).

| Number of Pulse | Number of Detent | Height | Select Function | Designation |
|-----------------|------------------|--------|-----------------|--------------|
| 12 | 12 | 20 mm | No | NSE12DV1220 |
| 24 | 24 | 20 mm | No | NSE12DV2420 |
| 12 | 12 | 25 mm | No | NSE12DV1225 |
| 24 | 24 | 25 mm | No | NSE12DV2425 |
| 12 | 12 | 20 mm | Yes | NSE12DSV1220 |
| 24 | 24 | 20 mm | Yes | NSE12DSV2420 |
| 12 | 12 | 25 mm | Yes | NSE12DSV1225 |
| 24 | 24 | 25 mm | Yes | NSE12DSV2425 |

Electrical

MAXIMUM VOLTAGE: 5 VDC.

MAXIMUM CURRENT DC: 10 mA

MINIMUM CURRENT DC: 1 mA

DIELECTRIC STRENGTH: 50 VAC / 1 mA.

INSULATION RESISTANCE: 10 MΩ.

BOUNCE TIME: ≤ 2 ms

Switch Function

CONTACT: SPST

MAXIMUM POWER: 5 VDC - 10 mA (min. 1 mA).

CONTACT RESISTANCE INITIAL: 100 mΩ.

TRAVEL: 0,5 mm +0,2/-0,1 mm

OPERATING FORCE: 4,5 ± 1,5 N.

LIFE TIME: 20,000 operations.

Environmental

OPERATING TEMPERATURE: -10°C to +70°C.

STORAGE TEMPERATURE: -40°C to +85°C.

Process

SOLDERING PROCESS:

Manual soldering 300°C max., 3s max.

Wave soldering 260°C max., 3s max.

No cleaning.

NOTE: Specifications listed above are for switches with standard options.
For information on specific and custom switches, consult Customer Service Center.

How To Order

Our easy build-a-switch concept allows you to mix and match options to create the switch you need. To order, select desired option from each category and place it in the appropriate box.

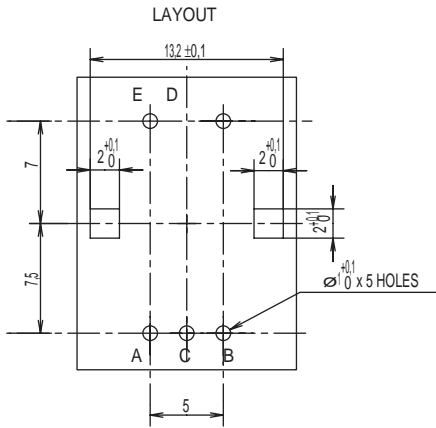
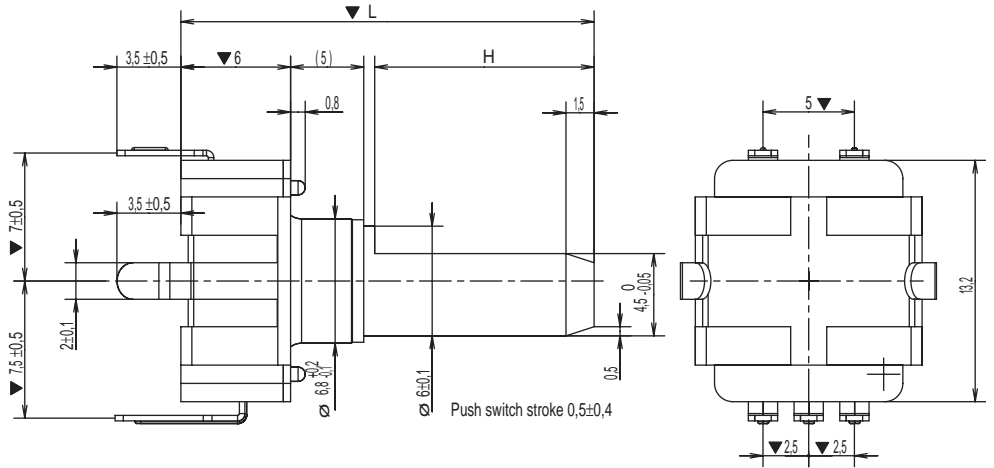


NSE12 Series Navigation Switch Encoders

NSE12



| OPTION CODE | L TOTAL HEIGHT | H |
|-------------|-------------------|----|
| 20 | 20 mm | 7 |
| 25 | 25 mm | 12 |



P.C.B. THICKNESS T = 1.6
View from mounting side

| ELECTRICAL GRAPH | | |
|----------------------------|------------------|-----------|
| Shaft rotational direction | Signal | Output |
| C.W. | A (Terminal A-C) | ON OFF |
| | B (Terminal B-C) | ON OFF |

SWITCH GRAPH



NSE16 Series Navigation Switch Encoders

Features/Benefits

- Select switch
- Long life
- Self clinching terminals
- Positive detent feeling

Typical Applications

- Audio / Video equipment
- White goods equipment



Construction

FUNCTION: Incremental signal.
CONTACT ARRANGEMENT: Phase difference output of two signal A and B.
TERMINAL: PC pin.

Mechanical

NUMBER OF DETENT: 24
DETENT TORQUE: 1 - 10 mN.m
ROTATIONAL ANGLE: 360° endless.
ROTATIONAL LIFE: 50,000 cycles (1 cycle: 360° CW + 360° CCW).

| Number of Pulse | Number of Detent | Height | Select Function | Designation |
|-----------------|------------------|---------|-----------------|-------------|
| 24 | 24 | 26,5 mm | No | NSE16DV2426 |
| 24 | 24 | 31,5 mm | No | NSE16DV2431 |

Electrical

MAXIMUM VOLTAGE: 5 VDC.
MAXIMUM CURRENT DC: 0,5 mA
DIELECTRIC STRENGTH: 50 VAC.
INSULATION RESISTANCE: 10 MΩ.
BOUNCE TIME: ≤ 2 ms

Environmental

OPERATING TEMPERATURE: -25°C to +80°C.
STORAGE TEMPERATURE: -40°C to +85°C.

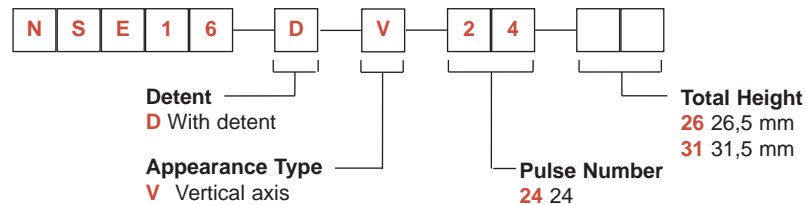
Process

SOLDERING PROCESS:
Manual soldering 300°C max., 3s max.
Wave soldering 260°C max., 3s max.
No cleaning.

NOTE: Specifications listed above are for switches with standard options.
For information on specific and custom switches, consult Customer Service Center.

How To Order

Our easy build-a-switch concept allows you to mix and match options to create the switch you need. To order, select desired option from each category and place it in the appropriate box.

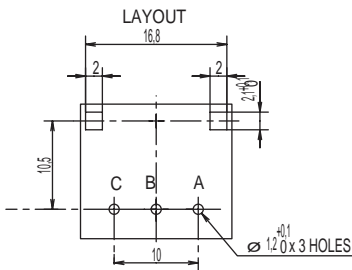
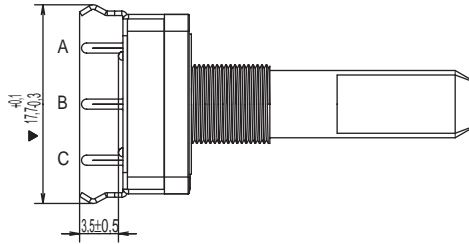
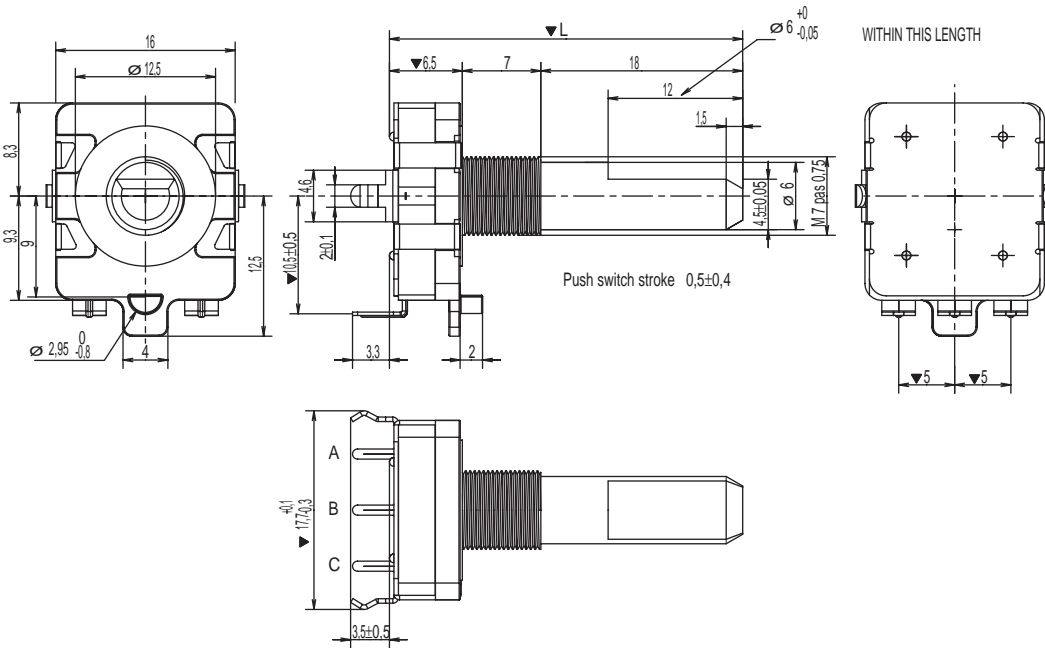


NSE16 Series Navigation Switch Encoders

NSE16



| OPTION CODE | L TOTAL HEIGHT |
|-------------|-------------------|
| 26 | 26,5 mm |
| 31 | 31,5 mm |



P.C.B. THICKNESS T = 1,6
View from mounting side

| ELECTRICAL GRAPH | | |
|----------------------------|------------------|-----------|
| Shaft rotational direction | Signal | Output |
| C.W. | A (Terminal A-C) | ON OFF |
| | B (Terminal B-C) | ON OFF |

SWITCH GRAPH



Компания «Океан Электроники» предлагает заключение долгосрочных отношений при поставках импортных электронных компонентов на взаимовыгодных условиях!

Наши преимущества:

- Поставка оригинальных импортных электронных компонентов напрямую с производств Америки, Европы и Азии, а так же с крупнейших складов мира;
- Широкая линейка поставок активных и пассивных импортных электронных компонентов (более 30 млн. наименований);
- Поставка сложных, дефицитных, либо снятых с производства позиций;
- Оперативные сроки поставки под заказ (от 5 рабочих дней);
- Экспресс доставка в любую точку России;
- Помощь Конструкторского Отдела и консультации квалифицированных инженеров;
- Техническая поддержка проекта, помощь в подборе аналогов, поставка прототипов;
- Поставка электронных компонентов под контролем ВП;
- Система менеджмента качества сертифицирована по Международному стандарту ISO 9001;
- При необходимости вся продукция военного и аэрокосмического назначения проходит испытания и сертификацию в лаборатории (по согласованию с заказчиком);
- Поставка специализированных компонентов военного и аэрокосмического уровня качества (Xilinx, Altera, Analog Devices, Intersil, Interpoint, Microsemi, Actel, Aeroflex, Peregrine, VPT, Syfer, Eurofarad, Texas Instruments, MS Kennedy, Miteq, Cobham, E2V, MA-COM, Hittite, Mini-Circuits, General Dynamics и др.);

Компания «Океан Электроники» является официальным дистрибьютором и эксклюзивным представителем в России одного из крупнейших производителей разъемов военного и аэрокосмического назначения «JONHON», а так же официальным дистрибьютором и эксклюзивным представителем в России производителя высокотехнологичных и надежных решений для передачи СВЧ сигналов «FORSTAR».



JONHON

«JONHON» (основан в 1970 г.)

Разъемы специального, военного и аэрокосмического назначения:

(Применяются в военной, авиационной, аэрокосмической, морской, железнодорожной, горно- и нефтедобывающей отраслях промышленности)

«FORSTAR» (основан в 1998 г.)

ВЧ соединители, коаксиальные кабели,
кабельные сборки и микроволновые компоненты:

(Применяются в телекоммуникациях гражданского и специального назначения, в средствах связи, РЛС, а так же военной, авиационной и аэрокосмической отраслях промышленности).



Телефон: 8 (812) 309-75-97 (многоканальный)

Факс: 8 (812) 320-03-32

Электронная почта: ocean@oceanchips.ru

Web: <http://oceanchips.ru/>

Адрес: 198099, г. Санкт-Петербург, ул. Калинина, д. 2, корп. 4, лит. А