

The MPC9993 is a PLL clock driver designed specifically for redundant clock tree designs. The device receives two differential LVPECL clock signals from which it generates 5 new differential LVPECL clock outputs. Two of the output pairs regenerate the input signals frequency and phase while the other three pairs generate 2x, phase aligned clock outputs.

Features


- Fully Integrated PLL
- Intelligent Dynamic Clock Switch
- LVPECL Clock Outputs
- LVCMOS Control I/O
- 3.3 V Operation
- 32-Lead LQFP Packaging
- 32-Lead Pb-Free Package Available

Functional Description


The MPC9993 Intelligent Dynamic Clock Switch (IDCS) circuit continuously monitors both input CLK signals. Upon detection of a failure (CLK stuck HIGH or LOW for at least 1 period), the INP_BAD for that CLK will be latched (H). If that CLK is the primary clock, the IDCS will switch to the good secondary clock and phase/frequency alignment will occur with minimal output phase disturbance. The typical phase bump caused by a failed clock is eliminated. (See Application Information section).

MPC9993

**INTELLIGENT DYNAMIC
CLOCK SWITCH
PLL CLOCK DRIVER**



**FA SUFFIX
32-LEAD LQFP PACKAGE
CASE 873A-04**



**AC SUFFIX
32-LEAD LQFP PACKAGE
Pb-FREE PACKAGE
CASE 873A-04**

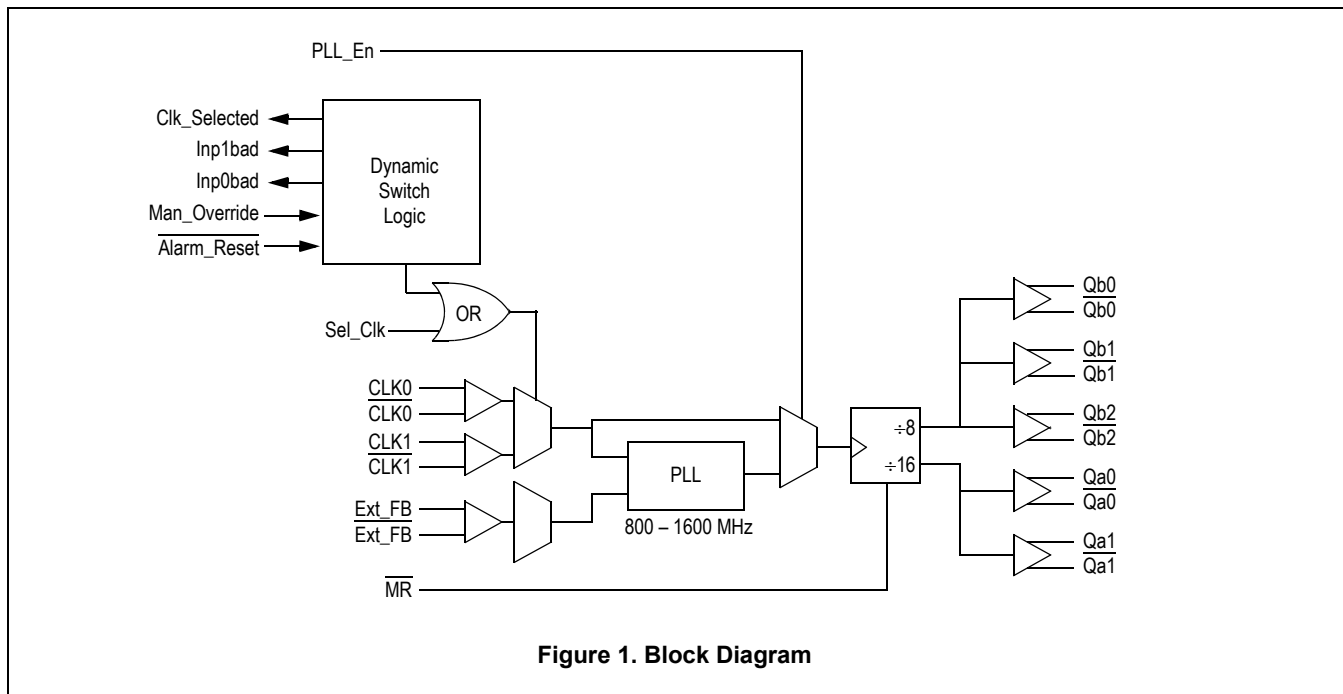


Figure 1. Block Diagram

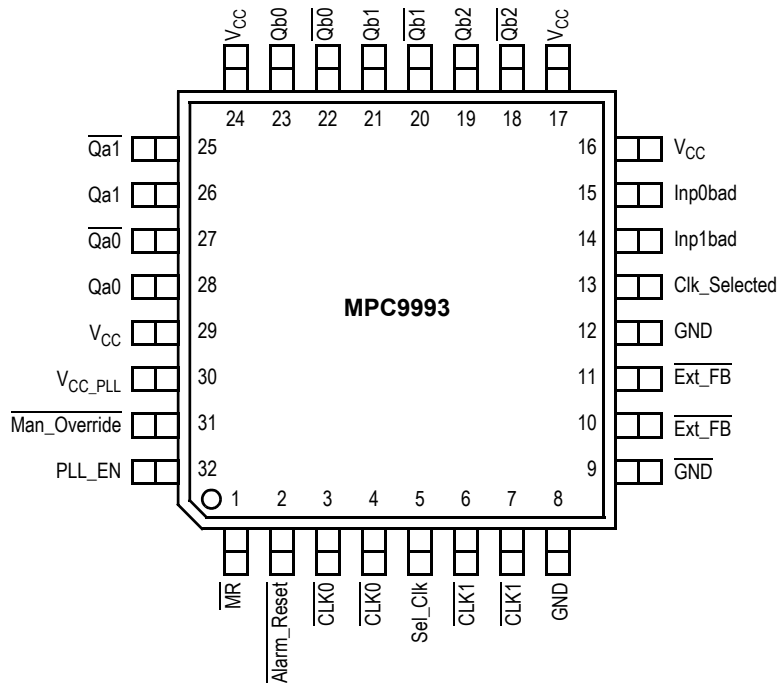


Figure 2. 32-Lead Pinout (Top View)

Table 1. Pin Descriptions

| Pin Name | I/O | Pin Definition |
|--|------------------------------|--|
| CLK0, $\overline{\text{CLK0}}$ CLK1, $\overline{\text{CLK1}}$ | LVPECL Input LVPECL Input | Differential PLL clock reference (CLK0 pulldown, $\overline{\text{CLK0}}$ pullup) Differential PLL clock reference (CLK1 pulldown, $\overline{\text{CLK1}}$ pullup) |
| Ext_FB, $\overline{\text{Ext_FB}}$ | LVPECL Input | Differential PLL feedback clock (Ext_FB pulldown, $\overline{\text{Ext_FB}}$ pullup) |
| Qa0:1, $\overline{\text{Qa0:1}}$ | LVPECL Output | Differential 1x output pairs |
| Qb0:2, $\overline{\text{Qb0:2}}$ | LVPECL Output | Differential 2x output pairs |
| Inp0bad | LVC MOS Output | Indicates detection of a bad input reference clock 0 with respect to the feedback signal. The output is active HIGH and will remain HIGH until the alarm reset is asserted |
| Inp1bad | LVC MOS Output | Indicates detection of a bad input reference clock 1 with respect to the feedback signal. The output is active HIGH and will remain HIGH until the alarm reset is asserted |
| Clk_Selected | LVC MOS Output | '0' if clock 0 is selected, '1' if clock 1 is selected |
| Alarm_Reset | LVC MOS Input | '0' will reset the input bad flags and align Clk_Selected with Sel_Clk. The input is "one-shotted" (50 k Ω pullup) |
| Sel_Clk | LVC MOS Input | '0' selects CLK0, '1' selects CLK1 (50 k Ω pulldown) |
| Manual_Override | LVC MOS Input | '1' disables internal clock switch circuitry (50 k Ω pulldown) |
| PLL_En | LVC MOS Input | '0' bypasses selected input reference around the phase-locked loop (50 k Ω pullup) |
| $\overline{\text{MR}}$ | LVC MOS Input | '0' resets the internal dividers forcing Q outputs LOW. Asynchronous to the clock (50 k Ω pullup) |
| V _{CCA} | Power Supply | PLL power supply |
| V _{CC} | Power Supply | Digital power supply |
| G _{NDA} | Power Supply | PLL ground |
| GND | Power Supply | Digital ground |

Table 2. Absolute Maximum Ratings⁽¹⁾

| Symbol | Characteristics | Min | Max | Unit | Condition |
|------------------|---------------------|------|----------------------|------|-----------|
| V _{CC} | Supply Voltage | -0.3 | 3.9 | V | |
| V _{IN} | DC Input Voltage | -0.3 | V _{CC} +0.3 | V | |
| V _{OUT} | DC Output Voltage | -0.3 | V _{CC} +0.3 | V | |
| I _{IN} | DC Input Current | | ±20 | mA | |
| I _{OUT} | DC Output Current | | ±50 | mA | |
| T _S | Storage Temperature | -65 | 125 | °C | |

1. Absolute maximum continuous ratings are those maximum values beyond which damage to the device may occur. Exposure to these conditions or conditions beyond those indicated may adversely affect device reliability. Functional operation at absolute-maximum-rated conditions is not implied.

Table 3. General Specifications

| Symbol | Characteristics | Min | Typ | Max | Unit | Condition |
|-----------------|--|------|---------------------|------|------|--------------------------------|
| V _{TT} | Output termination voltage | | V _{CC} - 2 | | V | |
| MM | ESD Protection (Machine model) | 175 | | | V | |
| HBM | ESD Protection (Human body model) | 1500 | | | V | |
| CDM | ESD Protection (Charged device model) | 1000 | | | V | |
| LU | Latch-up Immunity | 100 | | | mA | |
| C _{IN} | Input Capacitance | | 4.0 | | pF | Inputs |
| θ _{JA} | Thermal Resistance Junction to Ambient JESD 51-3, single layer test board | | 83.1 | 86.0 | °C/W | Natural convection |
| | | | 73.3 | 75.4 | °C/W | 100 ft/min |
| | | | 68.9 | 70.9 | °C/W | 200 ft/min |
| | | | 63.8 | 65.3 | °C/W | 400 ft/min |
| | | | 57.4 | 59.6 | °C/W | 800 ft/min |
| | JESD 51-6, 2S2P multilayer test board | | 59.0 | 60.6 | °C/W | Natural convection |
| | | | 54.4 | 55.7 | °C/W | 100 ft/min |
| | | | 52.5 | 53.8 | °C/W | 200 ft/min |
| | | | 50.4 | 51.5 | °C/W | 400 ft/min |
| | | | 47.8 | 48.8 | °C/W | 800 ft/min |
| θ _{JC} | Thermal Resistance Junction to Case | | 23.0 | 26.3 | °C/W | MIL-SPEC 883E Method 1012.1 |
| T _J | Operating Junction Temperature ⁽¹⁾ (continuous operation) MTBF = 9.1 years | | | 110 | °C | |

1. Operating junction temperature impacts device life time. Maximum continuous operating junction temperature should be selected according to the application life time requirements (See application note AN1545 for more information). The device AC and DC parameters are specified up to 110°C junction temperature allowing the MPC9993 to be used in applications requiring industrial temperature range. It is recommended that users of the MPC9993 employ thermal modeling analysis to assist in applying the junction temperature specifications to their particular application.

Table 4. DC Characteristics ($V_{CC} = 3.3 \text{ V} \pm 5\%$, $T_A = -40^\circ \text{ to } +85^\circ \text{C}$)

| Symbol | Characteristics | Min | Typ | Max | Unit | Condition |
|--|---|-----------------|-----------------|-----------------|---------------|-------------------------------------|
| LVCMOS control inputs ($\overline{\text{MR}}$, PLL_En, Sel_Clk, Man_Override, Alarm_Reset) | | | | | | |
| V_{IH} | Input High Voltage | 2.0 | | $V_{CC} + 0.3$ | V | |
| V_{IL} | Input Low Voltage | | | 0.8 | V | |
| I_{IN} | Input Current ⁽¹⁾ | | | ± 100 | μA | $V_{IN} = V_{CC} \text{ or GND}$ |
| LVCMOS control outputs (Clk_selected, Inp0bad, Inp1bad) | | | | | | |
| V_{OH} | Output High Voltage | 2.0 | | | V | $I_{OH} = -24 \text{ mA}$ |
| V_{OL} | Output Low Voltage | | | 0.55 | V | $I_{OL} = 24 \text{ mA}$ |
| LVPECL clock inputs (CLK0, CLK1, Ext_FB) ⁽²⁾ | | | | | | |
| V_{PP} | DC Differential Input Voltage ⁽³⁾ | 0.1 | | 1.3 | V | Differential operation |
| V_{CMR} | Differential Cross Point Voltage ⁽⁴⁾ | $V_{CC} - 1.8$ | | $V_{CC} - 0.3$ | V | Differential operation |
| I_{IN} | Input Current ⁽¹⁾ | | | ± 100 | μA | $V_{IN} = V_{CC} \text{ or GND}$ |
| LVPECL clock outputs (QA[1:0], QB[2:0]) | | | | | | |
| V_{OH} | Output High Voltage | $V_{CC} - 1.20$ | $V_{CC} - 0.95$ | $V_{CC} - 0.70$ | V | Termination 50Ω to V_{TT} |
| V_{OL} | Output Low Voltage | $V_{CC} - 1.90$ | $V_{CC} - 1.75$ | $V_{CC} - 1.45$ | V | Termination 50Ω to V_{TT} |
| Supply Current | | | | | | |
| I_{GND} | Maximum Power Supply Current | | | 180 | mA | GND Pins |
| I_{CC_PLL} | Maximum PLL Supply Current | | | 15 | mA | V_{CC_PLL} Pin |

1. Inputs have internal pull-up/pull-down resistors affecting the input current.
2. Clock inputs driven by differential LVPECL compatible signals.
3. V_{PP} is the minimum differential input voltage swing required to maintain AC characteristics.
4. V_{CMR} (DC) is the crosspoint of the differential input signal. Functional operation is obtained when the crosspoint is within the V_{CMR} (DC) range and the input swing lies within the V_{PP} (DC) specification.

Table 5. AC Characteristics ($V_{CC} = 3.3\text{ V} \pm 5\%$, $T_A = -40^\circ\text{C}$ to $+85^\circ\text{C}$)⁽¹⁾

| Symbol | Characteristics | Min | Typ | Max | Unit | Condition |
|----------------------|--|--------------|------------------------|------------------------|----------------------|----------------------|
| f_{ref} | Input Reference Frequency $\div 16$ feedback | 50 | | 100 | MHz | PLL locked |
| f_{VCO} | VCO Frequency Range ⁽²⁾ $\div 16$ feedback | 800 | | 1600 | MHz | |
| f_{MAX} | Output Frequency QA[1:0] QB[2:0] | 50 100 | | 100 200 | MHz MHz | PLL locked |
| f_{refDC} | Reference Input Duty Cycle | 25 | | 75 | % | |
| $t_{(\phi)}$ | Propagation Delay SPO, static phase offset ⁽³⁾ CLK0, CLK1 to any Q | -2.0 0.9 | | +2.0 1.8 | ns ns | PLL_EN=1 PLL_EN=0 |
| V_{PP} | Differential Input Voltage ⁽⁴⁾ (peak-to-peak) | 0.25 | | 1.3 | V | |
| V_{CMR} | Differential Input Crosspoint Voltage ⁽⁵⁾ | $V_{CC}-1.7$ | | $V_{CC}-0.3$ | V | |
| $t_{sk(O)}$ | Output-to-Output Skew within QA[2:0] or QB[1:0] within device | | | 50 80 | ps ps | |
| $\Delta_{per/cycle}$ | Rate of Change of Period QA[1:0] ⁽⁶⁾ QB[2:0] ⁽⁶⁾ QA[1:0] ⁽⁷⁾ QB[2:0] ⁽⁷⁾ | | 20 10 200 100 | 50 25 400 200 | ps ps ps ps | |
| DC | Output Duty Cycle | 45 | 50 | 55 | % | |
| $t_{JIT(CC)}$ | Cycle-to-Cycle Jitter RMS (1 σ) | | | 47 | ps | |
| t_{LOCK} | Maximum PLL Lock Time | | | 10 | ms | |
| t_r, t_f | Output Rise/Fall Time | 0.05 | | 0.70 | ns | 20% to 80% |

- AC characteristics apply for parallel output termination of $50\ \Omega$ to $V_{CC} - 2\text{ V}$.
- The input reference frequency must match the VCO lock range divided by the feedback divider ratio (FB): $f_{ref} = f_{VCO} \div FB$.
- CLK0, CLK1 to Ext_FB.
- V_{PP} is the minimum differential input voltage swing required to maintain AC characteristics including SPO and device-to-device skew. Applicable to CLK0, CLK1 and Ext_FB.
- V_{CMR} (AC) is the crosspoint of the differential input signal. Normal AC operation is obtained when the crosspoint is within the V_{CMR} (AC) range and the input swing lies within the V_{PP} (AC) specification. Violation of V_{CMR} (AC) or V_{PP} (AC) impacts the SPO, device and part-to-part skew. Applicable to CLK0, CLK1 and Ext_FB.
- Specification holds for a clock switch between two input signals (CLK0, CLK1) no greater than 400 ps out of phase. Delta period change per cycle is averaged over the clock switch excursion.
- Specification holds for a clock switch between two input signals (CLK0, CLK1) at any phase difference ($\pm 180^\circ$). Delta period change per cycle is averaged over the clock switch excursion.

APPLICATIONS INFORMATION

The MPC9993 is a dual clock PLL with on-chip Intelligent Dynamic Clock Switch (IDCS) circuitry.

Definitions

primary clock: The input CLK selected by Sel_Clk.

secondary clock: The input CLK NOT selected by Sel_Clk.

PLL reference signal: The CLK selected as the PLL reference signal by Sel_Clk or IDCS. (IDCS can override Sel_Clk).

Status Functions

Clk_Selected: Clk_Selected (L) indicates CLK0 is selected as the PLL reference signal. Clk_Selected (H) indicates CLK1 is selected as the PLL reference signal.

INP_BAD: Latched (H) when it's CLK is stuck (H) or (L) for at least one Ext_FB period (Pos to Pos or Neg to Neg). Cleared (L) on assertion of Alarm_Reset.

Control Functions

Sel_Clk: Sel_Clk (L) selects CLK0 as the primary clock. Sel_Clk (H) selects CLK1 as the primary clock.

Alarm_Reset: Asserted by a negative edge. Generates a one-shot reset pulse that clears INPUT_BAD latches and Clk_Selected latch.

PLL_En: While (L), the PLL reference signal is substituted for the VCO output.

MR: While (L), internal dividers are held in reset which holds all Q outputs LOW.

Man Override (H)

(IDCS is disabled, PLL functions normally). PLL reference signal (as indicated by Clk_Selected) will always be the CLK selected by Sel_Clk. The status function INP_BAD is active in Man Override (H) and (L).

Man Override (L)

(IDCS is enabled, PLL functions enhanced). The first CLK to fail will latch it's INP_BAD (H) status flag and select the other input as the Clk_Selected for the PLL reference clock. Once latched, the Clk_Selected and INP_BAD remain latched until assertion of Alarm_Reset which clears all latches (INP_BADs are cleared and Clk_Selected = Sel_Clk). NOTE: If both CLKs are bad when Alarm_Reset is asserted,

both INP_BADs will be latched (H) after one Ext_FB period and Clk_Selected will be latched (L) indicating CLK0 is the PLL reference signal. While neither INP_BAD is latched (H), the Clk_Selected can be freely changed with Sel_Clk. Whenever a CLK switch occurs, (manually or by IDCS), following the next negative edge of the newly selected PLL reference signal, the next positive edge pair of Ext_FB and the newly selected PLL reference signal will slew to alignment.

To calculate the overall uncertainty between the input CLKs and the outputs from multiple MPC9993's, the following procedure should be used. Assuming that the input CLKs to all MPC9993's are exactly in phase, the total uncertainty will be the sum of the static phase offset, max I/O jitter, and output to output skew.

During a dynamic switch, the output phase between two devices may be increased for a short period of time. If the two input CLKs are 400 ps out of phase, a dynamic switch of an MPC9993 will result in an instantaneous phase change of 400 ps to the PLL reference signal without a corresponding change in the output phase (due to the limited response of the PLL). As a result, the I/O phase of a device, undergoing this switch, will initially be 400 ps and diminish as the PLL slews to its new phase alignment. This transient timing issue should be considered when analyzing the overall skew budget of a system.

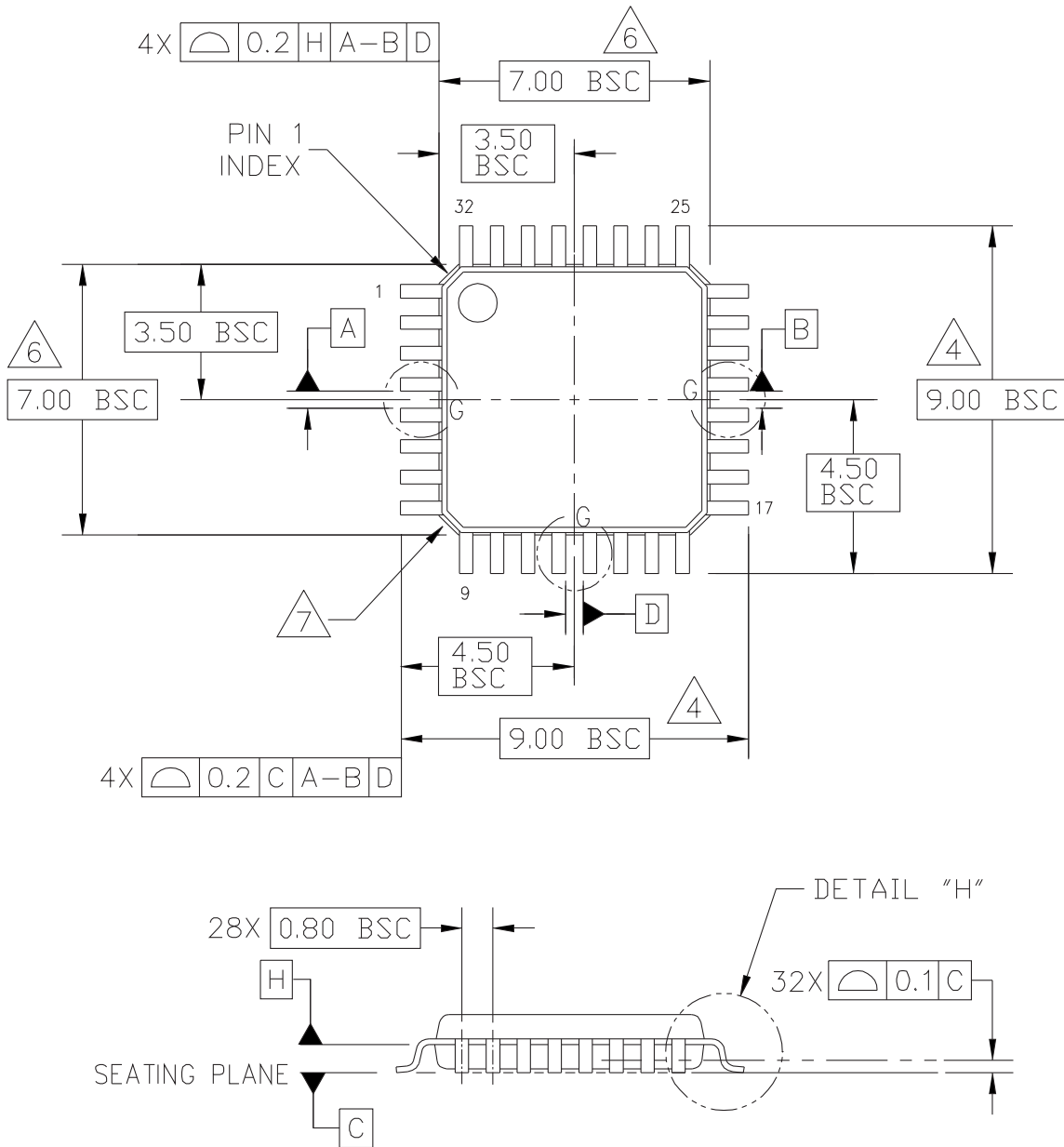
Hot insertion and withdrawal

In PECL applications, a powered up driver will experience a low impedance path through an MPC9993 input to its powered down VCC pins. In this case, a 100 ohm series resistance should be used in front of the input pins to limit the driver current. The resistor will have minimal impact on the rise and fall times of the input signals.

Acquiring Frequency Lock

1. While the MPC9993 is receiving a valid CLK signal, assert Man_Override HIGH.
2. The PLL will phase and frequency lock within the specified lock time.
3. Apply a HIGH to LOW transition to Alarm_Reset to reset Input Bad flags.
4. De-assert Man_Override LOW to enable Intelligent Dynamic Clock Switch mode.

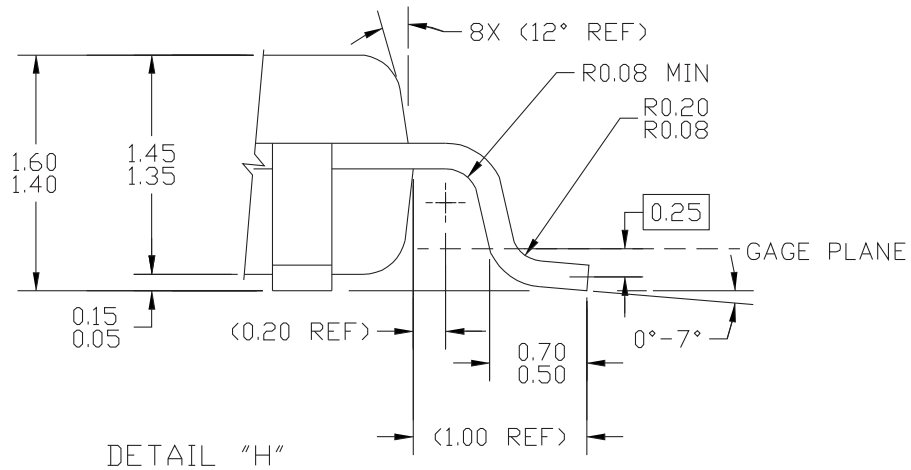
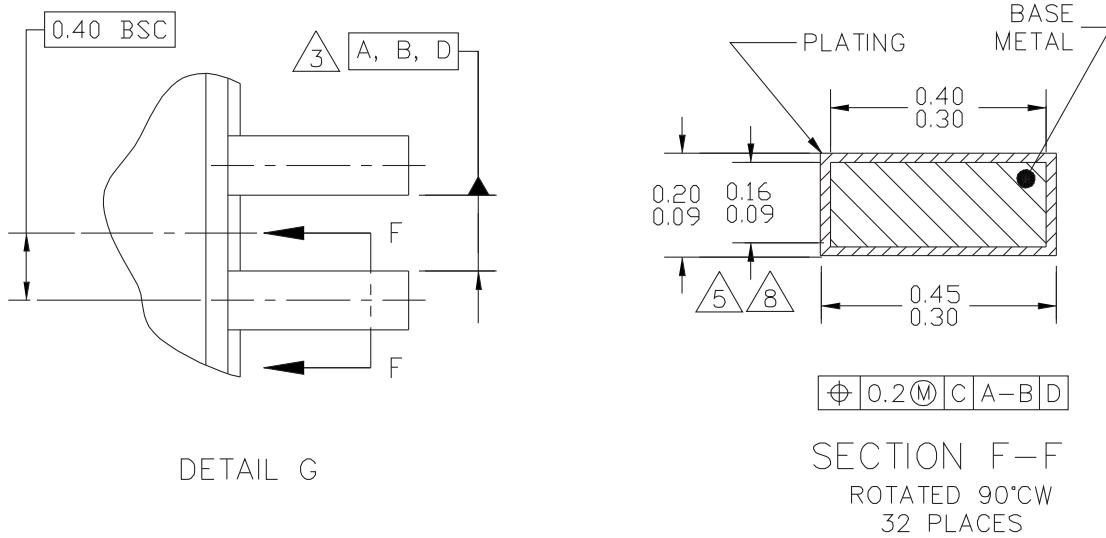
PACKAGE DIMENSIONS



| | | | |
|---|----------------------------|----------------------------|--|
| © FREESCALE SEMICONDUCTOR, INC. ALL RIGHTS RESERVED. | MECHANICAL OUTLINE | PRINT VERSION NOT TO SCALE | |
| TITLE: LOW PROFILE QUAD FLAT PACK (LQFP) 32 LEAD, 0.8 PITCH (7 X 7 X 1.4) | DOCUMENT NO: 98ASH70029A | REV: C | |
| | CASE NUMBER: 873A-04 | 01 APR 2005 | |
| | STANDARD: JEDEC MS-026 BBA | | |

**CASE 873A-04
ISSUE C
32-LEAD LQFP PACKAGE**

PACKAGE DIMENSIONS



| | | | |
|---|----------------------------|----------------------------|--|
| © FREESCALE SEMICONDUCTOR, INC. ALL RIGHTS RESERVED. | MECHANICAL OUTLINE | PRINT VERSION NOT TO SCALE | |
| TITLE: LOW PROFILE QUAD FLAT PACK (LQFP) 32 LEAD, 0.8 PITCH (7 X 7 X 1.4) | DOCUMENT NO: 98ASH70029A | REV: C | |
| | CASE NUMBER: 873A-04 | 01 APR 2005 | |
| | STANDARD: JEDEC MS-026 BBA | | |

**CASE 873A-04
ISSUE C
32-LEAD LQFP PACKAGE**

PACKAGE DIMENSIONS

NOTES:

1. DIMENSIONS ARE IN MILLIMETERS.
2. INTERPRET DIMENSIONS AND TOLERANCES PER ASME Y14.5–1994.
3. DATUMS A, B, AND D TO BE DETERMINED AT DATUM PLANE H.
4. DIMENSIONS TO BE DETERMINED AT SEATING PLANE DATUM C.
5. DIMENSION DOES NOT INCLUDE DAMBAR PROTRUSION. ALLOWABLE DAMBAR PROTRUSION SHALL NOT CAUSE THE LEAD WIDTH TO EXCEED THE MAXIMUM DIMENSION BY MORE THAN 0.08 MM. DAMBAR CANNOT BE LOCATED ON THE LOWER RADIUS OR THE FOOT. MINIMUM SPACE BETWEEN PROTRUSION AND ADJACENT LEAD OR PROTRUSION: 0.07 MM.
6. DIMENSIONS DO NOT INCLUDE MOLD PROTRUSION. ALLOWABLE PROTRUSION IS 0.25 MM PER SIDE. DIMENSIONS ARE MAXIMUM PLASTIC BODY SIZE DIMENSIONS INCLUDING MOLD MISMATCH.
7. EXACT SHAPE OF EACH CORNER IS OPTIONAL.
8. THESE DIMENSIONS APPLY TO THE FLAT SECTION OF THE LEAD BETWEEN 0.1 MM AND 0.25 MM FROM THE LEAD TIP.

| | | | |
|---|----------------------------|----------------------------|--|
| © FREESCALE SEMICONDUCTOR, INC. ALL RIGHTS RESERVED. | MECHANICAL OUTLINE | PRINT VERSION NOT TO SCALE | |
| TITLE: LOW PROFILE QUAD FLAT PACK (LQFP) 32 LEAD, 0.8 PITCH (7 X 7 X 1.4) | DOCUMENT NO: 98ASH70029A | REV: C | |
| | CASE NUMBER: 873A-04 | 01 APR 2005 | |
| | STANDARD: JEDEC MS-026 BBA | | |

PAGE 3 OF 3

**CASE 873A-04
ISSUE C
32-LEAD LQFP PACKAGE**

Revision History Sheet

| Rev | Table | Page | Description of Change | Date |
|-----|-------|------|--|---------|
| 3 | | 1 | Product Discontinuance Notice – Last Time Buy Expires on (12/7/2013) | 1/23/13 |
| | | | | |

We've Got Your Timing Solution



6024 Silver Creek Valley Road
San Jose, California 95138

Sales
800-345-7015 (inside USA)
+408-284-8200 (outside USA)
Fax: 408-284-2775
www.IDT.com/go/contactIDT

Technical Support
netcom@idt.com
+480-763-2056

DISCLAIMER Integrated Device Technology, Inc. (IDT) and its subsidiaries reserve the right to modify the products and/or specifications described herein at any time and at IDT's sole discretion. All information in this document, including descriptions of product features and performance, is subject to change without notice. Performance specifications and the operating parameters of the described products are determined in the independent state and are not guaranteed to perform the same way when installed in customer products. The information contained herein is provided without representation or warranty of any kind, whether express or implied, including, but not limited to, the suitability of IDT's products for any particular purpose, an implied warranty of merchantability, or non-infringement of the intellectual property rights of others. This document is presented only as a guide and does not convey any license under intellectual property rights of IDT or any third parties.

IDT's products are not intended for use in applications involving extreme environmental conditions or in life support systems or similar devices where the failure or malfunction of an IDT product can be reasonably expected to significantly affect the health or safety of users. Anyone using an IDT product in such a manner does so at their own risk, absent an express, written agreement by IDT.

Integrated Device Technology, IDT and the IDT logo are registered trademarks of IDT. Other trademarks and service marks used herein, including protected names, logos and designs, are the property of IDT or their respective third party owners.

Copyright 2013. All rights reserved.

Компания «Океан Электроники» предлагает заключение долгосрочных отношений при поставках импортных электронных компонентов на взаимовыгодных условиях!

Наши преимущества:

- Поставка оригинальных импортных электронных компонентов напрямую с производств Америки, Европы и Азии, а так же с крупнейших складов мира;
- Широкая линейка поставок активных и пассивных импортных электронных компонентов (более 30 млн. наименований);
- Поставка сложных, дефицитных, либо снятых с производства позиций;
- Оперативные сроки поставки под заказ (от 5 рабочих дней);
- Экспресс доставка в любую точку России;
- Помощь Конструкторского Отдела и консультации квалифицированных инженеров;
- Техническая поддержка проекта, помощь в подборе аналогов, поставка прототипов;
- Поставка электронных компонентов под контролем ВП;
- Система менеджмента качества сертифицирована по Международному стандарту ISO 9001;
- При необходимости вся продукция военного и аэрокосмического назначения проходит испытания и сертификацию в лаборатории (по согласованию с заказчиком);
- Поставка специализированных компонентов военного и аэрокосмического уровня качества (Xilinx, Altera, Analog Devices, Intersil, Interpoint, Microsemi, Actel, Aeroflex, Peregrine, VPT, Syfer, Eurofarad, Texas Instruments, MS Kennedy, Miteq, Cobham, E2V, MA-COM, Hittite, Mini-Circuits, General Dynamics и др.);

Компания «Океан Электроники» является официальным дистрибьютором и эксклюзивным представителем в России одного из крупнейших производителей разъемов военного и аэрокосмического назначения «**JONHON**», а так же официальным дистрибьютором и эксклюзивным представителем в России производителя высокотехнологичных и надежных решений для передачи СВЧ сигналов «**FORSTAR**».



JONHON

«**JONHON**» (основан в 1970 г.)

Разъемы специального, военного и аэрокосмического назначения:

(Применяются в военной, авиационной, аэрокосмической, морской, железнодорожной, горно- и нефтедобывающей отраслях промышленности)

«**FORSTAR**» (основан в 1998 г.)

ВЧ соединители, коаксиальные кабели,
кабельные сборки и микроволновые компоненты:

(Применяются в телекоммуникациях гражданского и специального назначения, в средствах связи, РЛС, а так же военной, авиационной и аэрокосмической отраслях промышленности).



Телефон: 8 (812) 309-75-97 (многоканальный)

Факс: 8 (812) 320-03-32

Электронная почта: ocean@oceanchips.ru

Web: <http://oceanchips.ru/>

Адрес: 198099, г. Санкт-Петербург, ул. Калинина, д. 2, корп. 4, лит. А