

Low Power Video Difference Amplifier

FEATURES

- Differential or Single-Ended Gain Block (Adjustable)
- -3dB Bandwidth, $A_V = \pm 2$: 50MHz
- Slew Rate: 165V/ μ s
- Low Supply Current: 13mA
- Output Current: ± 20 mA
- CMRR at 10MHz: 40dB
- LT1193 Pin Compatible
- Low Cost
- Single 5V Operation
- Drives Cables Directly
- Output Shutdown
- Available in 8-Lead PDIP and SO Packages

APPLICATIONS

- Line Receivers
- Video Signal Processing
- Cable Drivers
- Tape and Disc Drive Systems

DESCRIPTION

The **LT[®]1187** is a difference amplifier optimized for operation on ± 5 V, or a single 5V supply and gain ≥ 2 . This versatile amplifier features uncommitted high input impedance (+) and (-) inputs, and can be used in differential or single-ended configurations. Additionally, a second set of inputs give gain adjustment and DC control to the difference amplifier.

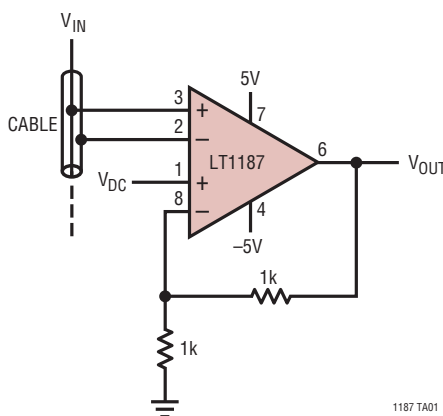
The LT1187's high slew rate, 165V/ μ s, wide bandwidth, 50MHz, and ± 20 mA output current require only 13mA of supply current. The shutdown feature reduces the power dissipation to a mere 15mW and allows multiple amplifiers to drive the same cable.

The LT1187 is a low power version of the popular LT1193, and is available in 8-pin miniDIPs and SO packages. For applications with gains of 10 or more, see the LT1189 data sheet.

All registered trademarks and trademarks are the property of their respective owners.

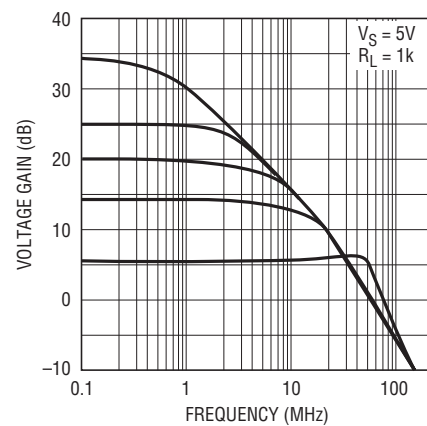
TYPICAL APPLICATION

Cable Sense Amplifier for Loop Through Connections with DC Adjust



1187 TA01

Closed-Loop Gain vs Frequency



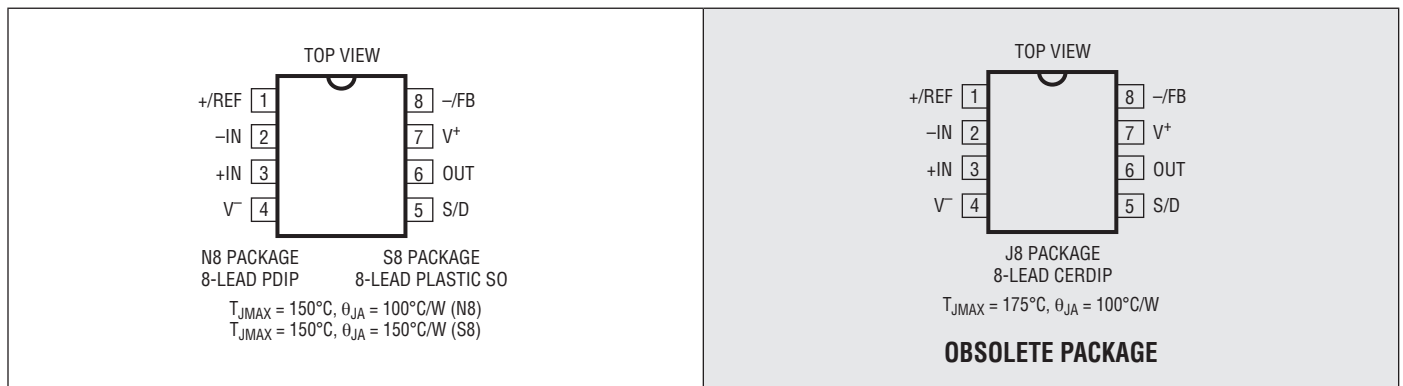
1187 TA02

LT1187

ABSOLUTE MAXIMUM RATINGS (Note 1)

Total Supply Voltage (V^+ to V^-)	18V	Junction Temperature (Note 3)	
Differential Input Voltage	$\pm 6V$	Plastic Packages (CN8, CS8)	150°C
Input Voltage.....	$\pm V_S$	Ceramic Packages (CJ8, MJ8) (OBSOLETE).....	175°C
Output Short-Circuit Duration (Note 2)	Continuous	Storage Temperature Range	-65°C to 150°C
Operating Temperature Range		Lead Temperature (Soldering, 10 sec).....	300°C
LT1187C	0°C to 70°C		
LT1187I	-40°C to 85°C		
LT1187M (OBSOLETE).....	-55°C to 150°C		

PIN CONFIGURATION



ORDER INFORMATION <http://www.linear.com/product/LT1187#orderinfo>

LEAD FREE FINISH	TAPE AND REEL	PART MARKING*	PACKAGE DESCRIPTION	TEMPERATURE RANGE
LT1187CN8#PBF	LT1187CN8#TRPBF	1187	8-Lead PDIP	0°C to 70°C
LT1187CS8#PBF	LT1187CS8#TRPBF	1187	8-Lead Plastic SO	0°C to 70°C
LT1187IN8#PBF	LT1187IN8#TRPBF	1187	8-Lead PDIP	-40°C to 85°C
OBSOLETE PACKAGE				
LT1187MJ8#PBF	LT1187MJ8#TRPBF	1187	8-Lead CERDIP	-55°C to 150°C
LT1187CJ8#PBF	LT1187CJ8#TRPBF	1187	8-Lead CERDIP	175°C
LEAD BASED FINISH	TAPE AND REEL	PART MARKING*	PACKAGE DESCRIPTION	TEMPERATURE RANGE
LT1187CN8	LT1187CN8#TR	1187	8-Lead PDIP	0°C to 70°C
LT1187CS8	LT1187CS8#TR	1187	8-Lead Plastic SO	0°C to 70°C
LT1187IN8	LT1187IN8#TR	1187	8-Lead PDIP	-40°C to 85°C
OBSOLETE PACKAGE				
LT1187MJ8	LT1187MJ8#TR	1187	8-Lead CERDIP	-55°C to 150°C
LT1187CJ8	LT1187CJ8#TR	1187	8-Lead CERDIP	175°C

Consult ADI Marketing for parts specified with wider operating temperature ranges. *The temperature grade is identified by a label on the shipping container. For more information on lead free part marking, go to: <http://www.linear.com/leadfree/> For more information on tape and reel specifications, go to: <http://www.linear.com/tapeandree/>. Some packages are available in 500 unit reels through designated sales channels with #TRMPBF suffix.

±5V ELECTRICAL CHARACTERISTICS $T_A = 25^\circ\text{C}$ (Note 4)

$V_S = \pm 5\text{V}$, $V_{REF} = 0\text{V}$, $R_{FB1} = 900\Omega$ from Pins 6 to 8, $R_{FB2} = 100\Omega$ from Pin 8 to ground, $R_L = R_{FB1} + R_{FB2} = 1\text{k}$, $C_L \leq 10\text{pF}$, Pin 5 open.

SYMBOL	PARAMETERS	CONDITIONS	LT1187C/I/M			UNITS
			MIN	MAX	MAX	
V_{OS}	Input Offset Voltage	Either Input (Note 5) S8 Package		2.0 2.0	10 11	mV
I_{OS}	Input Offset Current	Either Input		0.2	1.0	μA
I_B	Input Bias Current	Either Input		± 0.5	± 2.0	μA
e_n	Input Noise Voltage	$f_0 = 10\text{kHz}$		65		$\text{nV}/\sqrt{\text{Hz}}$
i_n	Input Noise Current	$f_0 = 10\text{kHz}$		1.5		$\text{pA}/\sqrt{\text{Hz}}$
R_{IN}	Input Resistance	Differential		100		$\text{k}\Omega$
C_{IN}	Input Capacitance	Either Input		2.0		pF
$V_{IN\text{ LIM}}$	Input Voltage Limit	(Note 6)		± 380		mV
	Input Voltage Range		-2.5		3.5	V
CMRR	Common Mode Rejection Ratio	$V_{CM} = -2.5\text{V}$ to 3.5V	70	100		dB
PSRR	Power Supply Rejection Ratio	$V_S = \pm 2.375\text{V}$ to $\pm 8\text{V}$	70	85		dB
V_{OUT}	Output Voltage Swing	$V_S = \pm 5\text{V}$, $R_L = 1\text{k}$, $A_V = 50$ $V_S = \pm 8\text{V}$, $R_L = 1\text{k}$, $A_V = 50$ $V_S = \pm 8\text{V}$, $R_L = 300\Omega$, $A_V = 50$, (Note 4)	± 3.8 ± 6.7 ± 6.4	± 4.0 ± 7.0 ± 6.8		V V V
G_E	Gain Error	$V_0 = \pm 1\text{V}$, $A_V = 10$, $R_L = 1\text{k}$		0.2	1.0	%
SR	Slew Rate	(Notes 7, 11)	100	165		$\text{V}/\mu\text{s}$
FPBW	Full Power Bandwidth	$V_0 = 1V_{P-P}$ (Note 8)		53		MHz
BW	Small-Signal Bandwidth	$A_V = 10$		5.7		MHz
t_r , t_f	Rise Time, Fall Time	$A_V = 50$, $V_0 = \pm 1.5\text{V}$, 20% to 80% (Note 11)	150	230	325	ns
t_{PD}	Propagation Delay	$R_L = 1\text{k}$, $V_0 = \pm 125\text{mV}$, 50% to 50%		26		ns
	Overshoot	$V_0 = \pm 50\text{mV}$		0		%
t_s	Settling Time	3V Step, 0.1% (Note 9)		100		ns
Diff AV	Differential Gain	$R_L = 1\text{k}$, $A_V = 4$ (Note 10)		0.6		%
Diff Ph	Differential Phase	$R_L = 1\text{k}$, $A_V = 4$ (Note 10)		0.8		DEG _{P-P}
I_S	Supply Current			13	16	mA
	Shutdown Supply Current	Pin 5 at V^-		0.8	1.5	mA
$I_{S/D}$	Shutdown Pin Current	Pin 5 at V^-		5	25	μA
t_{ON}	Turn-On Time	Pin 5 from V^- to Ground, $R_L = 1\text{k}$		500		ns
t_{OFF}	Turn-Off Time	Pin 5 from Ground to V^- , $R_L = 1\text{k}$		600		ns

5V ELECTRICAL CHARACTERISTICS $T_A = 25^\circ\text{C}$ (Note 4)

$V_S^+ = 5\text{V}$, $V_S^- = 0\text{V}$, $V_{\text{REF}} = 2.5\text{V}$, $R_{\text{FB1}} = 900\Omega$ from Pins 6 to 8, $R_{\text{FB2}} = 100\Omega$ from Pin 8 to V_{REF} , $R_L = R_{\text{FB1}} + R_{\text{FB2}} = 1\text{k}$, $C_L \leq 10\text{pF}$, Pin 5 open.

SYMBOL	PARAMETER	CONDITIONS	LT1187C/I/M			UNITS
			MIN	TYP	MAX	
V_{OS}	Input Offset Voltage	Either Input (Note 5) SO Package		2.0	10	mV
				2.0	12	mV
I_{OS}	Input Offset Current	Either Input		0.2	1.0	μA
I_{B}	Input Bias Current	Either Input		± 0.5	± 2.0	μA
	Input Voltage Range		2.0		3.5	V
CMRR	Common Mode Rejection Ratio	$V_{\text{CM}} = 2.0\text{V}$ to 3.5V	70	100		dB
V_{OUT}	Output Voltage Swing	$R_L = 300\Omega$ to Ground (Note 4)	V_{OUT} High	3.6	4.0	V
			V_{OUT} Low		0.15	0.4
SR	Slew Rate	$V_O = 1.5\text{V}$ to 3.5V		130		V/ μs
BW	Small-Signal Bandwidth	$A_V = 10$		5.3		MHz
I_{S}	Supply Current			12	15	mA
	Shutdown Supply Current	Pin 5 at V^-		0.8	1.5	mA
$I_{\text{S/D}}$	Shutdown Pin Current	Pin 5 at V^-		5	25	μA

$\pm 5\text{V}$ ELECTRICAL CHARACTERISTICS $-55^\circ\text{C} \leq T_A \leq 125^\circ\text{C}$ (Note 4)

$V_S = \pm 5\text{V}$, $V_{\text{REF}} = 0\text{V}$, $R_{\text{FB1}} = 900\Omega$ from Pins 6 to 8, $R_{\text{FB2}} = 100\Omega$ from Pin 8 to ground, $R_L = R_{\text{FB1}} + R_{\text{FB2}} = 1\text{k}$, $C_L \leq 10\text{pF}$, Pin 5 open.

SYMBOL	PARAMETER	CONDITIONS	LT1187M			UNITS
			MIN	TYP	MAX	
V_{OS}	Input Offset Voltage	Either Input (Note 5)		2.0	15	mV
$\Delta V_{\text{OS}}/\Delta T$	Input V_{OS} Drift			8.0		mV/ $^\circ\text{C}$
I_{OS}	Input Offset Current	Either Input		0.2	1.5	μA
I_{B}	Input Bias Current	Either Input		± 0.5	± 3.5	μA
	Input Voltage Range		-2.5		3.5	V
CMRR	Common Mode Rejection Ratio	$V_{\text{CM}} = -2.5\text{V}$ to 3.5V	70	100		dB
PSRR	Power Supply Rejection Ratio	$V_S = \pm 2.375\text{V}$ to $\pm 8\text{V}$	60	85		dB
V_{OUT}	Output Voltage Swing	$V_S = \pm 5\text{V}$, $R_L = 1\text{k}$, $A_V = 50$	± 3.7	± 4.0		V
		$V_S = \pm 8\text{V}$, $R_L = 1\text{k}$, $A_V = 50$	± 6.6	± 7.0		V
		$V_S = \pm 8\text{V}$, $R_L = 300\Omega$, $A_V = 50$ (Note 4)	± 6.4	± 6.8		V
G_{E}	Gain Error	$V_O = \pm 1\text{V}$, $A_V = 10$, $R_L = 1\text{k}$		0.2	1.2	%
I_{S}	Supply Current			13	17	mA
	Shutdown Supply Current	Pin 5 at V^- (Note 12)		0.8	1.5	mA
$I_{\text{S/D}}$	Shutdown Pin Current	Pin 5 at V^-		5	25	μA

±5V ELECTRICAL CHARACTERISTICS $0^{\circ}\text{C} \leq T_A \leq 70^{\circ}\text{C}$ (LT1187C) $-40^{\circ}\text{C} \leq T_A \leq 85^{\circ}\text{C}$ (LT1187I) (Note 4)
 $V_S = \pm 5\text{V}$, $V_{\text{REF}} = 0\text{V}$, $R_{\text{FB1}} = 900\Omega$ from Pins 6 to 8, $R_{\text{FB2}} = 100\Omega$ from Pin 8 to ground, $R_L = R_{\text{FB1}} + R_{\text{FB2}} = 1\text{k}$, $C_L \leq 10\text{pF}$, Pin 5 open.

SYMBOL	PARAMETER	CONDITIONS	LT1187C/I			UNITS
			MIN	TYP	MAX	
V_{OS}	Input Offset Voltage	Either Input (Note 5)		2.0	12	mV
$\Delta V_{\text{OS}}/\Delta T$	Input V_{OS} Drift			9.0		mV/ $^{\circ}\text{C}$
I_{OS}	Input Offset Current	Either Input		0.2	1.5	μA
I_{B}	Input Bias Current	Either Input		± 0.5	± 3.5	μA
	Input Voltage Range		-2.5		3.5	V
CMRR	Common Mode Rejection Ratio	$V_{\text{CM}} = -2.5\text{V}$ to 3.5V	70	100		dB
PSRR	Power Supply Rejection Ratio	$V_S = \pm 2.375\text{V}$ to $\pm 8\text{V}$	65	85		dB
V_{OUT}	Output Voltage Swing	$V_S = \pm 5\text{V}$, $R_L = 1\text{k}$, $A_V = 50$ $V_S = \pm 8\text{V}$, $R_L = 1\text{k}$, $A_V = 50$ $V_S = \pm 8\text{V}$, $R_L = 300\Omega$, $A_V = 50$ (Note 4)	± 3.7 ± 6.6 ± 6.4	± 4.0 ± 7.0 ± 6.8		V V V
G_E	Gain Error	$V_O = \pm 1\text{V}$, $A_V = 10$, $R_L = 1\text{k}$		0.2	1.0	%
I_S	Supply Current			13	17	mA
	Shutdown Supply Current	Pin 5 at V^- (Note 12)		0.8	1.5	mA
$I_{\text{S/D}}$	Shutdown Pin Current	Pin 5 at V^-		5	25	μA

5V ELECTRICAL CHARACTERISTICS $0^{\circ}\text{C} \leq T_A \leq 70^{\circ}\text{C}$ (LT1187C) $-40^{\circ}\text{C} \leq T_A \leq 85^{\circ}\text{C}$ (LT1187I) (Note 4)
 $V_S^+ = 5\text{V}$, $V_S^- = 0\text{V}$, $V_{\text{REF}} = 2.5\text{V}$, $R_{\text{FB1}} = 900\Omega$ from Pins 6 to 8, $R_{\text{FB2}} = 100\Omega$ from Pin 8 to V_{REF} , $R_L = R_{\text{FB1}} + R_{\text{FB2}} = 1\text{k}$, $C_L \leq 10\text{pF}$, Pin 5 open.

SYMBOL	PARAMETER	CONDITIONS	LT1187C/I			UNITS
			MIN	TYP	MAX	
V_{OS}	Input Offset Voltage	Either Input (Note 5) SO Package		2.0 2.0	12.0 13.0	mV mV
$\Delta V_{\text{OS}}/\Delta T$	Input V_{OS} Drift			9.0		$\mu\text{V}/^{\circ}\text{C}$
I_{OS}	Input Offset Current	Either Input		0.2	1.5	μA
I_{B}	Input Bias Current	Either Input		± 0.5	± 3.5	μA
	Input Voltage Range		2.0		3.5	V
CMRR	Common Mode Rejection Ratio	$V_{\text{CM}} = 2.0\text{V}$ to 3.5V	70	100		dB
V_{OUT}	Output Voltage Swing	$R_L = 300\Omega$ to Ground (Note 4)				
		V_{OUT} High	3.5	4.0		V
		V_{OUT} Low		0.15	0.4	V
I_S	Supply Current			12	16	mA
	Shutdown Supply Current	Pin 5 at V^- (Note 12)		0.8	1.5	mA
$I_{\text{S/D}}$	Shutdown Pin Current	Pin 5 at V^-		5	25	μA

Note 1: Stresses beyond those listed under Absolute Maximum Ratings may cause permanent damage to the device. Exposure to any Absolute Maximum Rating condition for extended periods may affect device reliability and lifetime.

Note 2: A heat sink may be required to keep the junction temperature below absolute maximum when the output is shorted continuously.

Note 3: T_J is calculated from the ambient temperature T_A and power dissipation P_D according to the following formulas:

LT1187MJ8, LT1187CJ8: $T_J = T_A + (P_D \cdot 100^{\circ}\text{C}/\text{W})$

LT1187CN8: $T_J = T_A + (P_D \cdot 100^{\circ}\text{C}/\text{W})$

LT1187CS8: $T_J = T_A + (P_D \cdot 150^{\circ}\text{C}/\text{W})$

Note 4: When $R_L = 1\text{k}$ is specified, the load resistor is $R_{\text{FB1}} + R_{\text{FB2}}$, but when $R_L = 300\Omega$ is specified, then an additional 430Ω is added to the output such that $(R_{\text{FB1}} + R_{\text{FB2}})$ in parallel with 430Ω is $R_L = 300\Omega$.

Note 5: V_{OS} measured at the output (Pin 6) is the contribution from both input pair and is input referred.

Note 6: $V_{\text{IN LIM}}$ is the maximum voltage between $-V_{\text{IN}}$ and $+V_{\text{IN}}$ (Pin 2 and Pin 3) for which the output can respond.

Note 7: Slew rate is measured between $\pm 0.5\text{V}$ on the output, with a V_{IN} step of $\pm 0.75\text{V}$, $A_V = 3$ and $R_L = 1\text{k}$.

Note 8: Full power bandwidth is calculated from the slew rate measurement: $\text{FPBW} = \text{SR}/2\pi V_p$.

Note 9: Settling time measurement techniques are shown in "Take the Guesswork Out of Settling Time Measurements," EDN, September 19, 1985.

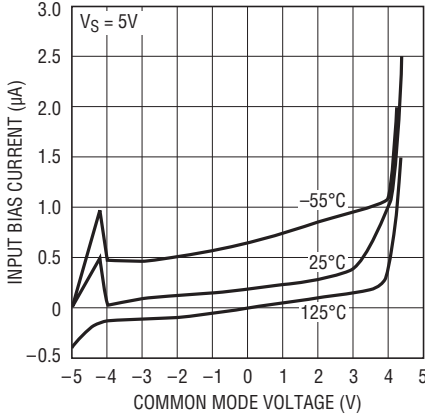
Note 10: NTSC (3.58MHz).

Note 11: AC parameters are 100% tested on the ceramic and plastic DIP packaged parts (J8 and N8 suffix) and are sample tested on every lot of the SO packaged parts (S8 suffix).

Note 12: See Application section for shutdown at elevated temperatures. Do not operate shutdown above $T_J > 125^{\circ}\text{C}$.

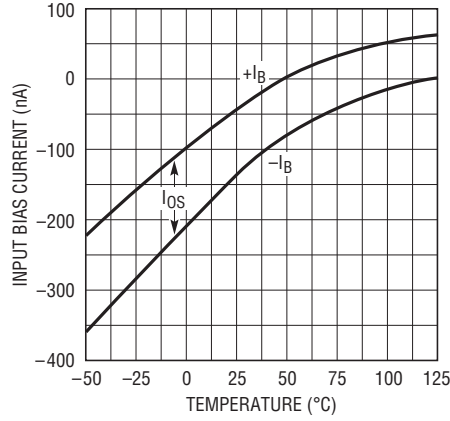
TYPICAL PERFORMANCE CHARACTERISTICS

Input Bias Current vs Common Mode Voltage



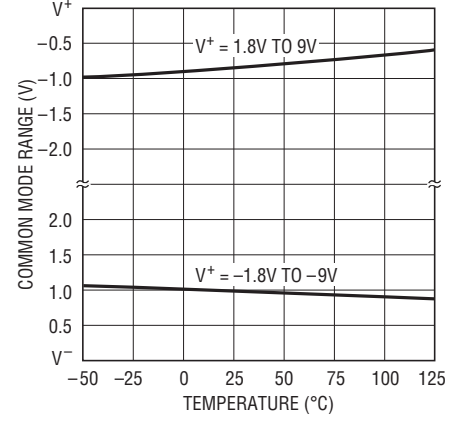
1187 G01

Input Bias Current vs Temperature



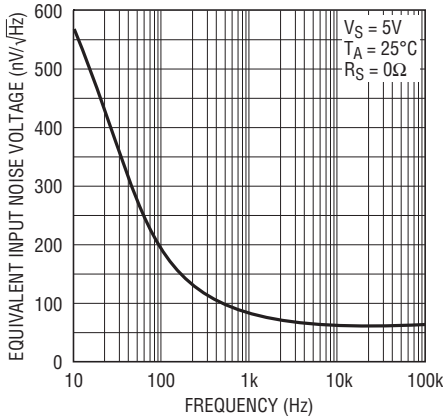
1187 G02

Common Mode Voltage vs Temperature



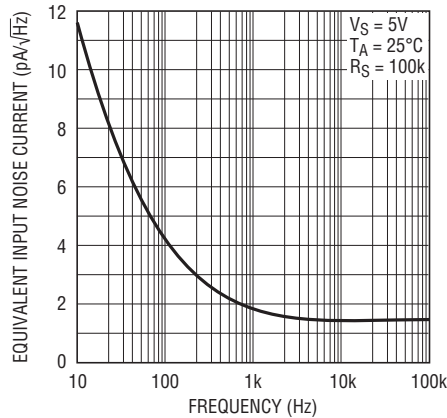
1187 G03

Equivalent Input Noise Voltage vs Frequency



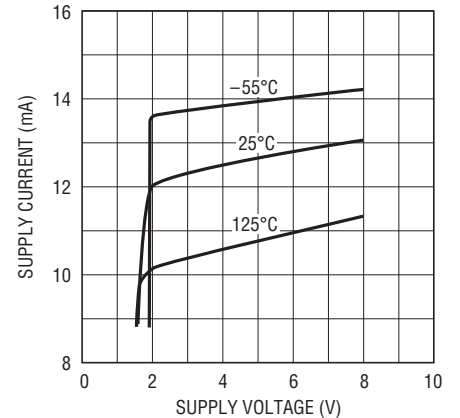
1187 G04

Equivalent Input Noise Current vs Frequency



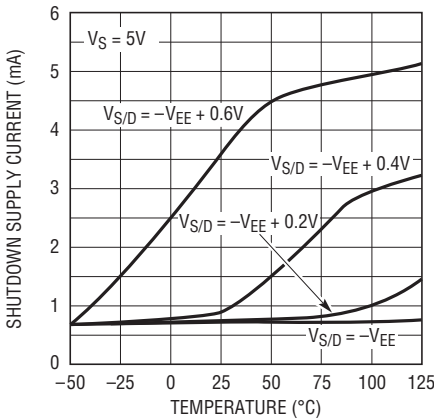
1187 G05

Supply Current vs Supply Voltage



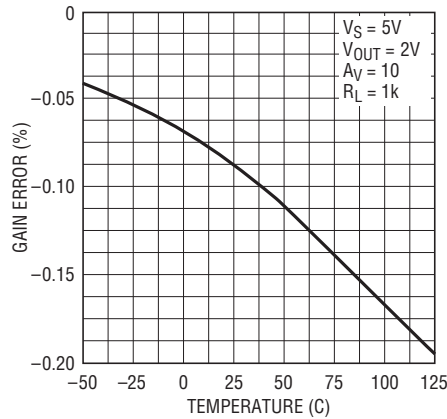
1187 G06

Shutdown Supply Current vs Temperature



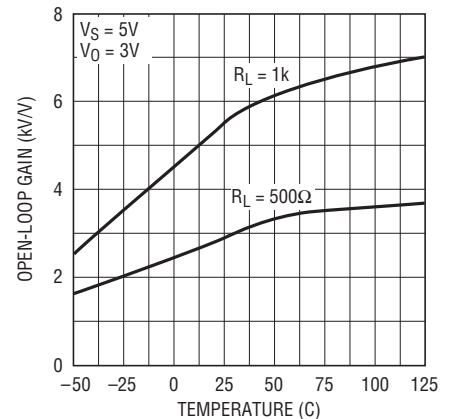
1187 G07

Gain Error vs Temperature



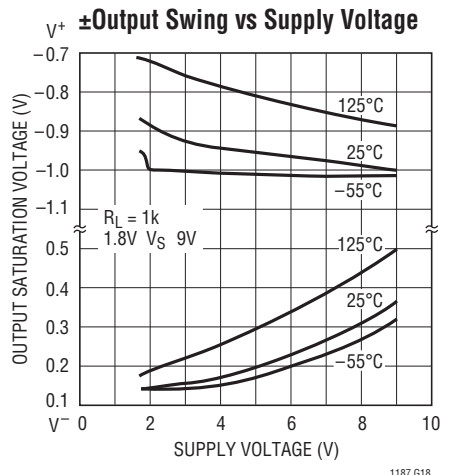
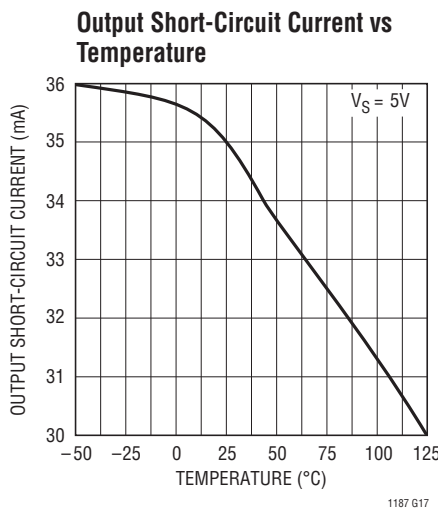
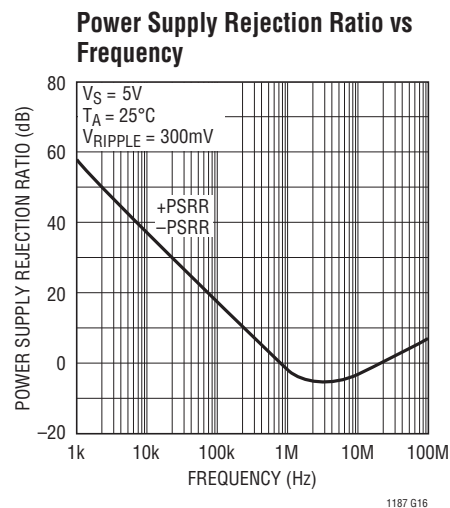
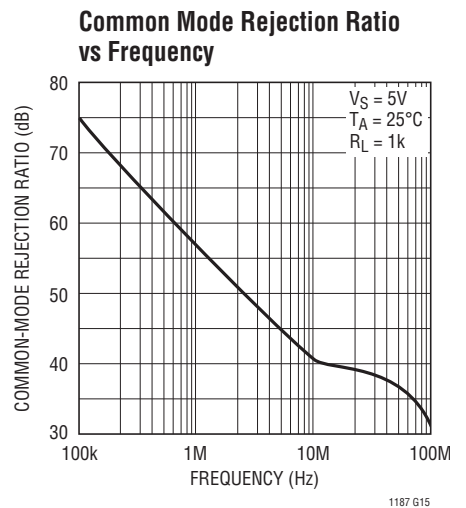
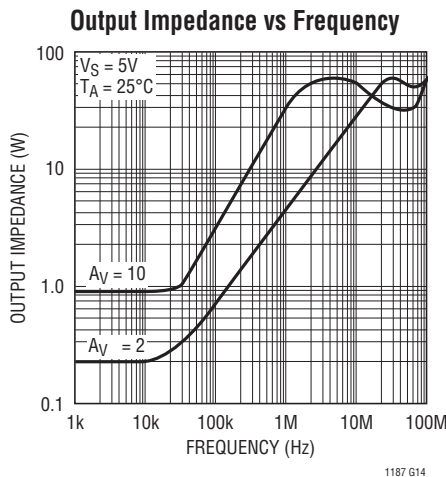
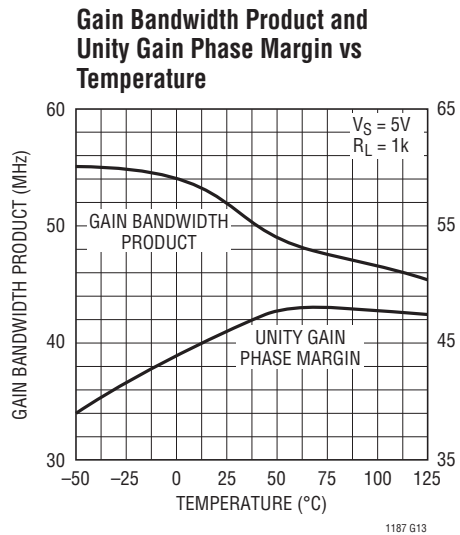
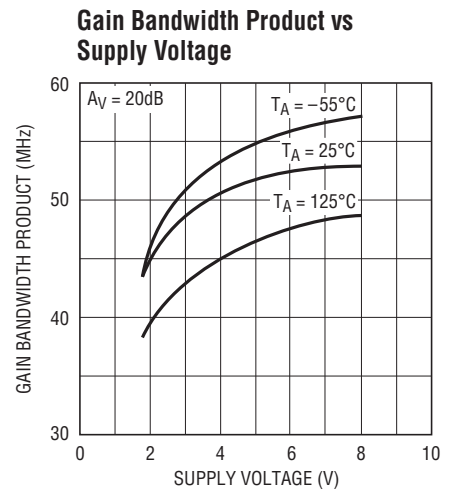
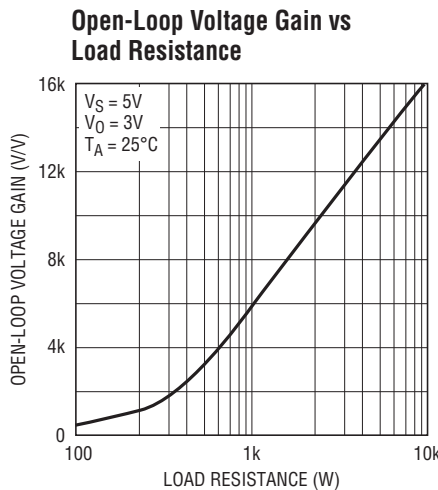
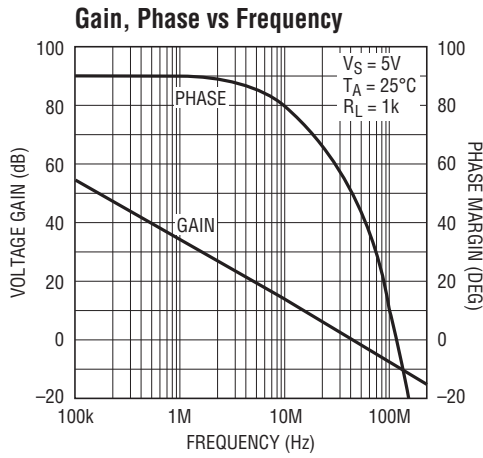
1187 G08

Open-Loop Gain vs Temperature



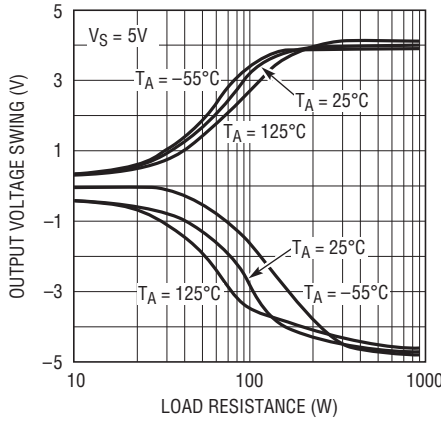
1187 G09

TYPICAL PERFORMANCE CHARACTERISTICS



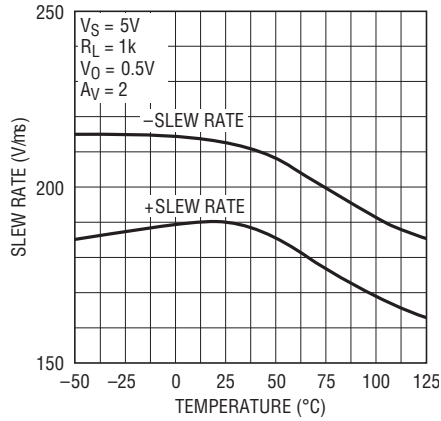
TYPICAL PERFORMANCE CHARACTERISTICS

Output Voltage Swing vs Load Resistance



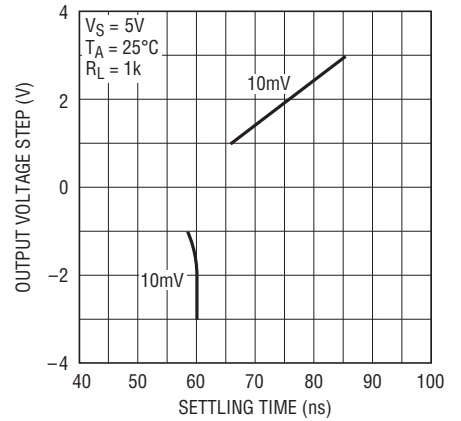
1187 G19

Slew Rate vs Temperature



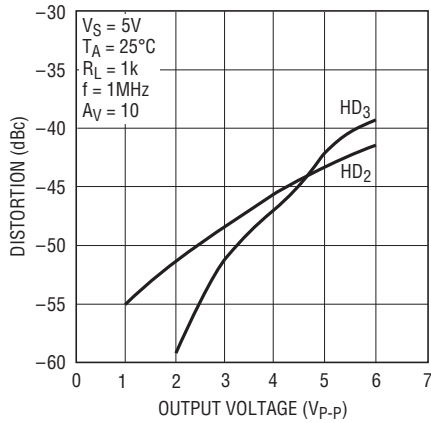
1187 G20

Output Voltage Step vs Settling Time, AV = 2



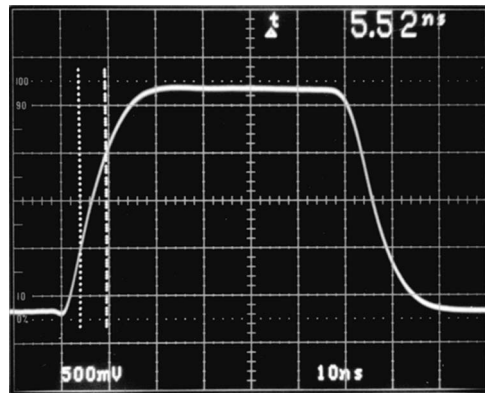
1187 G21

Harmonic Distortion vs Output Voltage



1187 G22

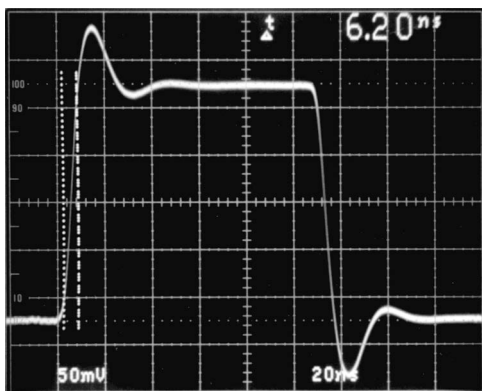
Large-Signal Transient Response



INPUT IN LIMITING, AV = 3, SR = 180V/μs

1187 G23

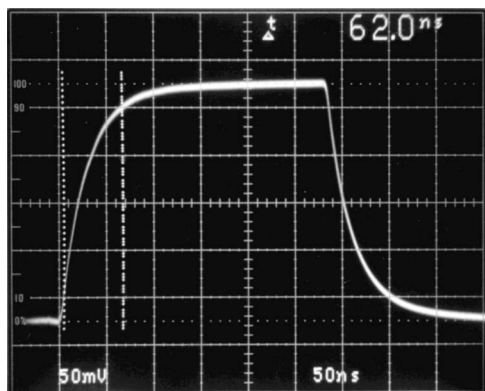
Small-Signal Transient Response



AV = 2, RFB = 1k, OVERSHOOT = 25%

1187 G24

Small-Signal Transient Response



AV = 2, RFB = 1k, OVERSHOOT = 25%

1187 G25

APPLICATIONS INFORMATION

The primary use of the LT1187 is in converting high speed differential signals to a single-ended output. The LT1187 video difference amplifier has two uncommitted high input impedance (+) and (-) inputs. The amplifier has another set of inputs which can be used for reference and feedback. Additionally, this set of inputs give gain adjust and DC control to the difference amplifier. The voltage gain of the LT1187 is set like a conventional operational amplifier. Feedback is applied to Pin 8, and it is optimized for gains of 2 or greater. The amplifier can be operated single-ended by connecting either the (+) or (-) inputs to the +/REF (Pin 1). The voltage gain is set by the resistors: $(R_{FB} + R_G)/R_G$.

Like the single-ended case, the differential voltage gain is set by the external resistors: $(R_{FB} + R_G)/R_G$. The maximum input differential signal for which the output will respond is approximately $\pm 0.38V$.

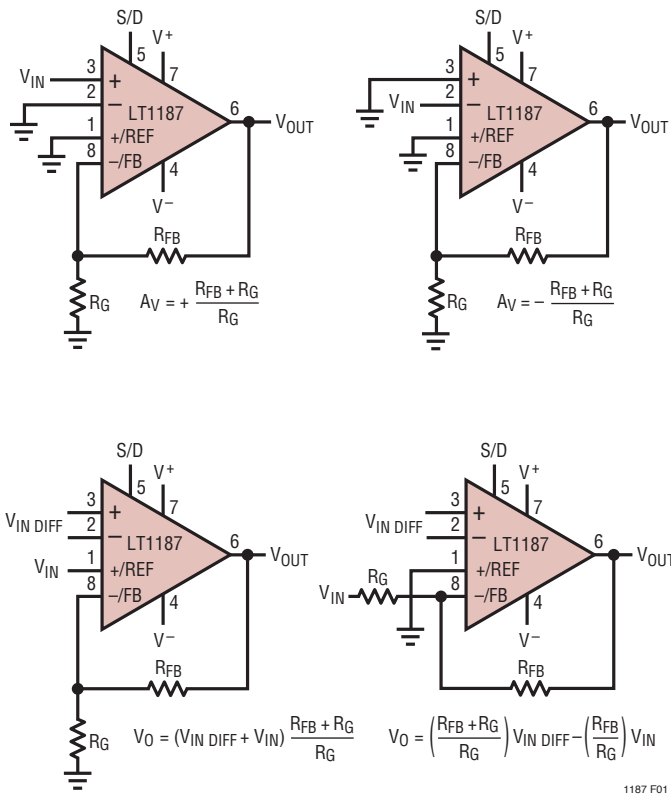


Figure 1.

Power Supply Bypassing

The LT1187 is quite tolerant of power supply bypassing. In some applications a 0.1μF ceramic disc capacitor placed 1/2 inch from the amplifier is all that is required. In applications requiring good settling time, it is important to use multiple bypass capacitors. A 0.1μF ceramic disc in parallel with a 4.7μF tantalum is recommended.

Calculating the Output Offset Voltage

Both input stages contribute to the output offset voltage at Pin 6. The feedback correction forces balance in the input stages by introducing an input V_{OS} at Pin 8. The complete expression for the output offset voltage is:

$$V_{OUT} = (V_{OS} + I_{OS}(R_S) + I_B(R_{REF})) \cdot (R_{FB} + R_G)/R_G + I_B(R_{FB})$$

R_S represents the input source resistance, typically 75Ω, and R_{REF} represents the finite source impedance from the DC reference voltage, for V_{REF} grounded, $R_{REF} = 0\Omega$. The I_{OS} is normally a small contributor and the expression simplifies to:

$$V_{OUT} = V_{OS}(R_{FB} + R_G)/R_G + I_B(R_{FB})$$

If R_{FB} is limited to 1k the last term of the equation contributes only 2mV, since I_B is less than 2μA.

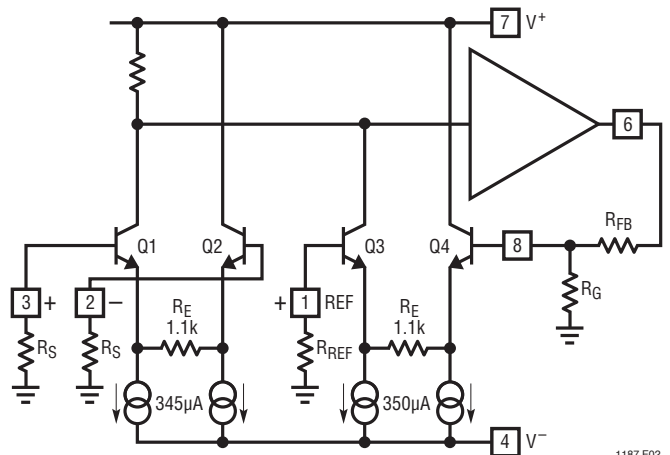


Figure 2. Simplified Input Stage Schematic

APPLICATIONS INFORMATION

Operating with Low Closed-Loop Gains

The LT1187 has been optimized for closed-loop gains of 2 or greater. For a closed-loop gain of 2 the response peaks about 2dB. Peaking can be eliminated by placing a capacitor across the feedback resistor, (feedback zero). This peaking shows up as time domain overshoot of about 25%.

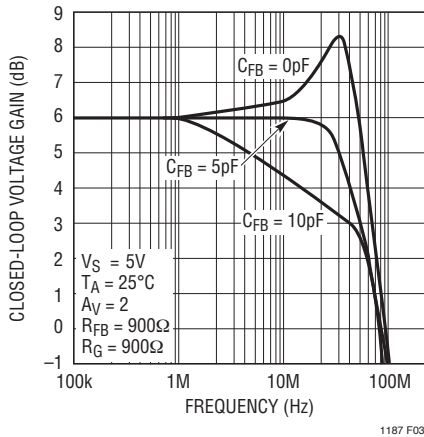


Figure 3. Closed-Loop Voltage Gain vs Frequency

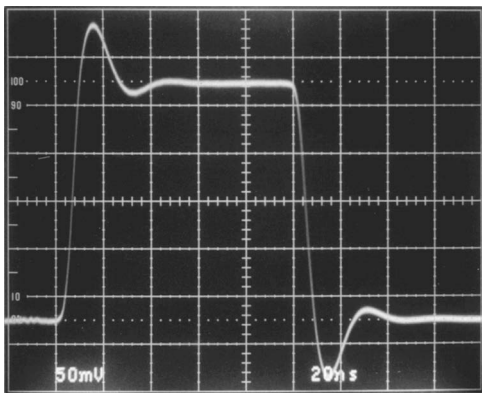


Figure 4. Small-Signal Transient Response

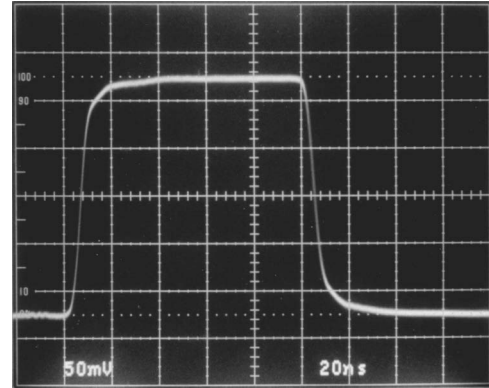


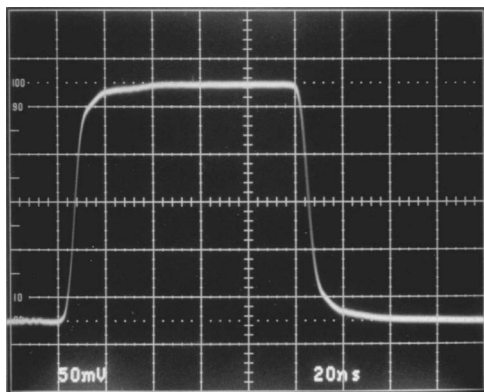
Figure 5. Small-Signal Transient Response

Extending the Input Range

Figure 2 shows a simplified schematic of the LT1187. In normal operation REF, Pin 1, is grounded or taken to a DC offset control voltage and differential signals are applied between Pins 2 and 3. The input responds linearly until all of the 345μA current flows through the 1.1k resistor and Q1 (or Q2) turns off. Therefore the maximum input swing is 380mV_P or 760mV_{P-P}. The second differential pair, Q3 and Q4, is running at slightly larger current so that when the first input stage limits, the second stage remains biased to maintain the feedback.

Occasionally it is necessary to handle signals larger than 760mV_{P-P} at the input. The LT1187 input stage can be tricked to handle up to 1.5V_{P-P}. To do this, it is necessary to ground Pin 3 and apply the differential input signal between Pins 1 and 2. The input signal is now applied across two 1.1k resistors in series. Since the input signal is applied to both input pairs, the first pair will run out of bias current before the second pair, causing the amplifier to go open loop. The results of this technique are shown in the following scope photo.

APPLICATIONS INFORMATION

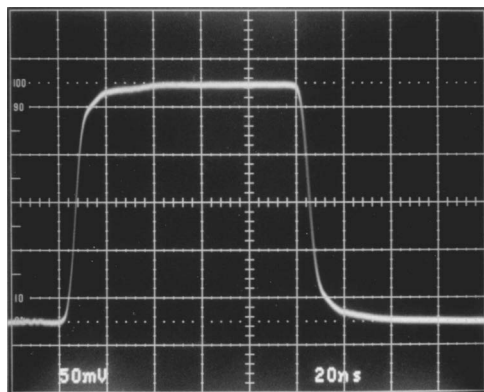


(A) STANDARD INPUTS, PINS 2 TO 3, $V_{IN} = 1.0V_{P-P}$
 (B) EXTENDED INPUTS, PINS 2 TO 2, $V_{IN} = 1.0V_{P-P}$
 (C) EXTENDED INPUTS, PINS 1 TO 2, $V_{IN} = 2.0V_{P-P}$

Figure 6. LT1187 in Unity Gain

Using the Shutdown Feature

The LT1187 has a unique feature that allows the amplifier to be shutdown for conserving power, or for multiplexing several amplifiers onto a common cable. The amplifier will shut down by taking Pin 5 to V^- . In shutdown, the amplifier dissipates 15mW while maintaining a true high impedance output state of 20k in parallel with the feedback resistors. For MUX applications, the amplifiers may be configured inverting, noninverting or differential. When the output is loaded with as little 1k from the amplifier's feedback resistors, the amplifier shuts off in 600ns. This shutoff can be under the control of HC CMOS operating between 0V and -5V.



$A_V = 2$, $R_{FB} = R_G = 1k$

Figure 7. 1MHz Sine Wave Gated Off with Shutdown Pin

The ability to maintain shutoff is shown on the curve Shutdown Supply Current vs Temperature in the Typical Performance Characteristics section. At very high elevated temperature it is important to hold the shutdown pin close to the negative supply to keep the supply current from increasing.

Send Color Video Over Twisted-Pair

With an LT1187 it is possible to send and receive color composite video signals more than 1000 feet on a low cost twisted-pair. A bidirectional "video bus" consists of the LT1195 op amp and the LT1187 video difference amplifier. A pair of LT1195s at Transmit 1 is used to generate differential signals to drive the line which is back-terminated in its characteristic impedance. The LT1187 twisted-pair receiver converts signals from differential to single-ended. Topology of the LT1187 provides for cable compensation at the amplifier's feedback node as shown. In this case, 1000 feet of twisted-pair is compensated with 1000pF and 50Ω to boost the 3dB bandwidth of the system from 750kHz to 4MHz. This bandwidth is adequate to pass a 3.58MHz chroma subcarrier and the 4.5MHz sound subcarrier. Attenuation in the cable can be compensated by lowering the gain set resistor R_G . At Transmit 2, another pair of LT1195s serve the dual function to provide cable termination via low output impedance, and generate differential signals for Transmit 2. Cable termination is made up of a 15Ω and 33Ω attenuator to reduce the differential input signal to the LT1187. Maximum input signal for the LT1187 is 760mV_{P-P}.

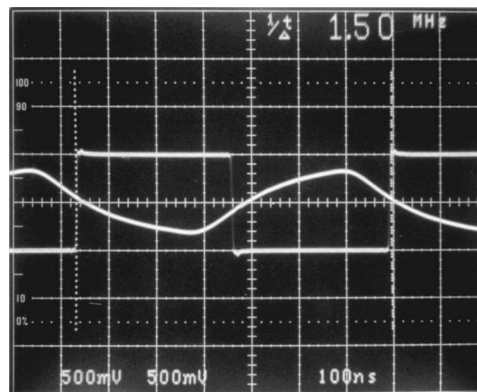
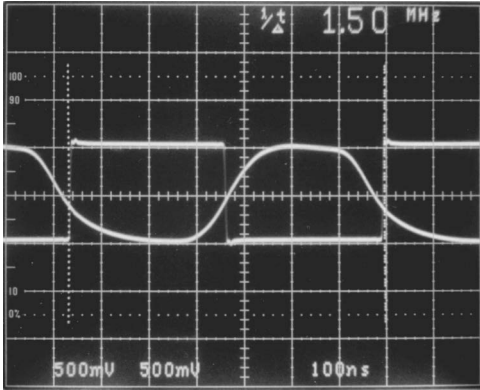
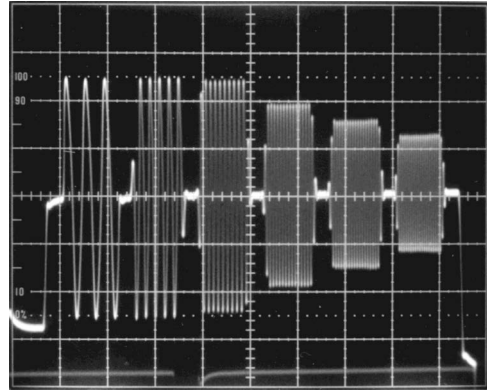


Figure 8. 1.5MHz Square Wave Input and Unequalized Response Through 1000 Feet of Twisted-Pair

APPLICATIONS INFORMATION



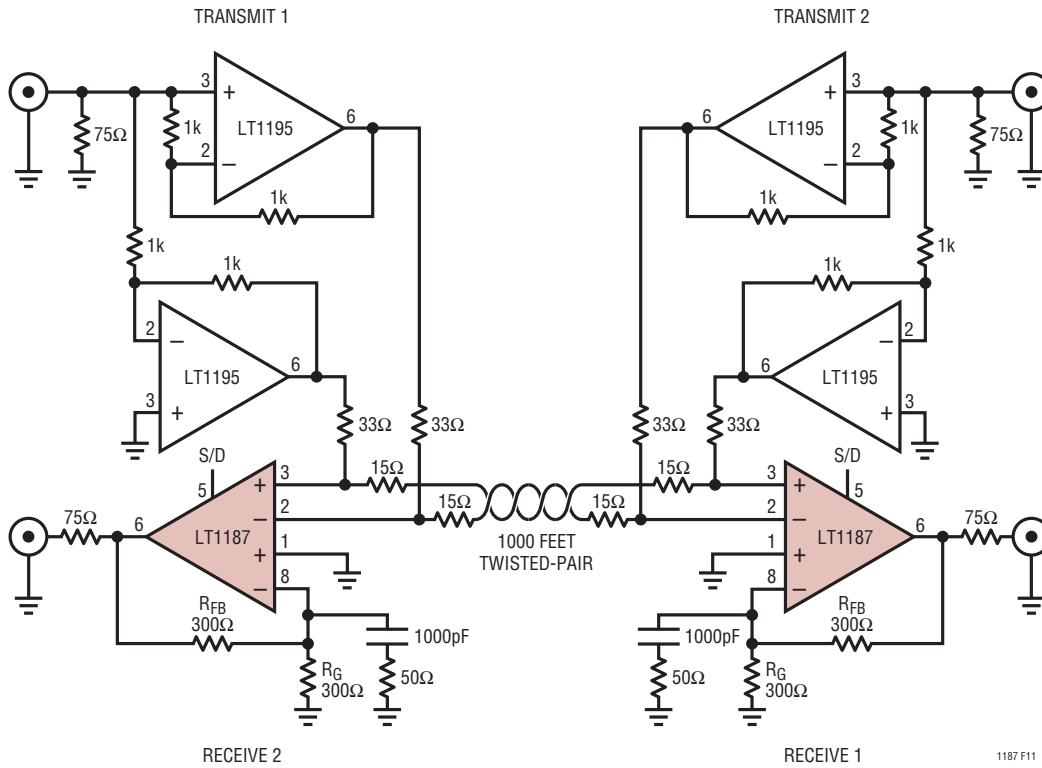
1187 F09



1187 F10

Figure 9. 1.5MHz Square Wave Input and Equalized Response Through 1000 Feet of Twisted-Pair

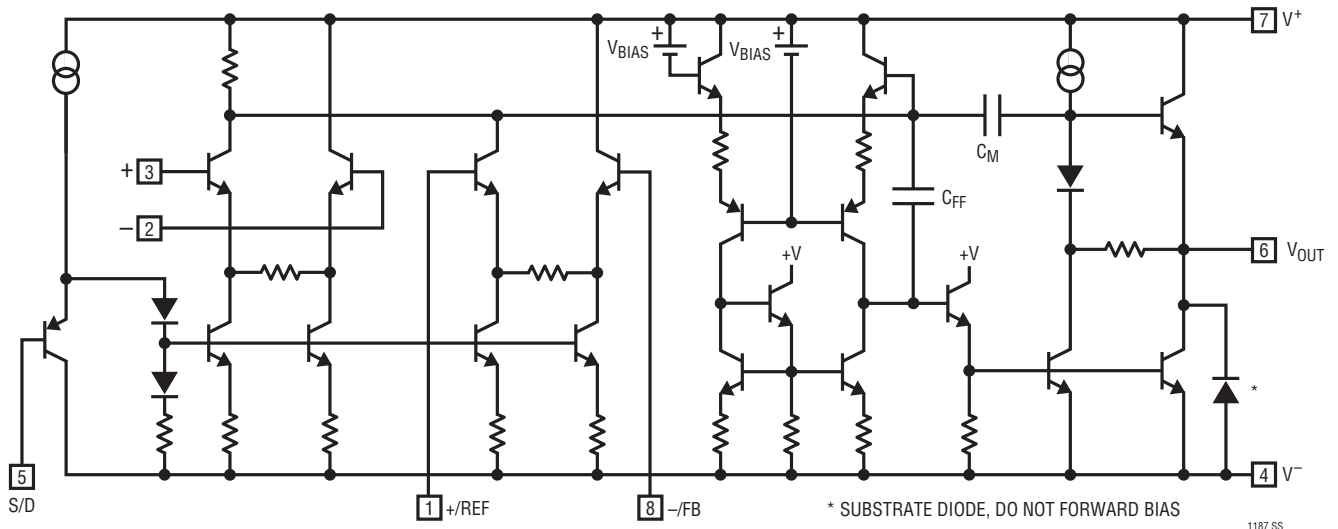
Figure 10. Multiburst Pattern Passed Through 1000 Feet of Twisted-Pair



1187 F11

Figure 11. Bidirectional Video Bus

SIMPLIFIED SCHEMATIC

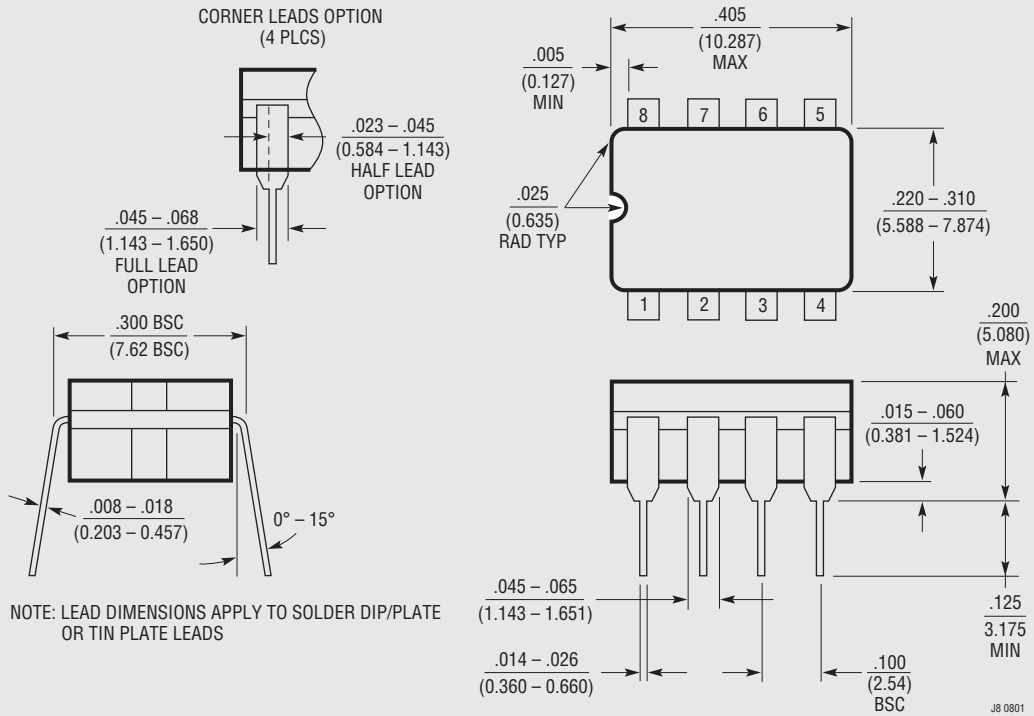


1187 SS

PACKAGE DESCRIPTION

Please refer to <http://www.linear.com/product/LT1187#packaging> for the most recent package drawings.

J8 Package
8-Lead CERDIP (Narrow .300 Inch, Hermetic)
 (Reference LTC DWG # 05-08-1110)

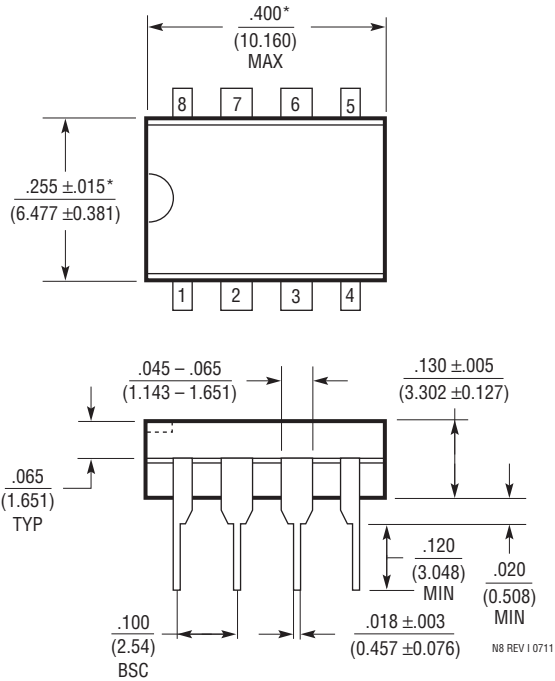


OBSOLETE PACKAGE

PACKAGE DESCRIPTION

Please refer to <http://www.linear.com/product/LT1187#packaging> for the most recent package drawings.

N8 Package
8-Lead PDIP (Narrow .300 Inch)
 (Reference LTC DWG # 05-08-1510 Rev I)

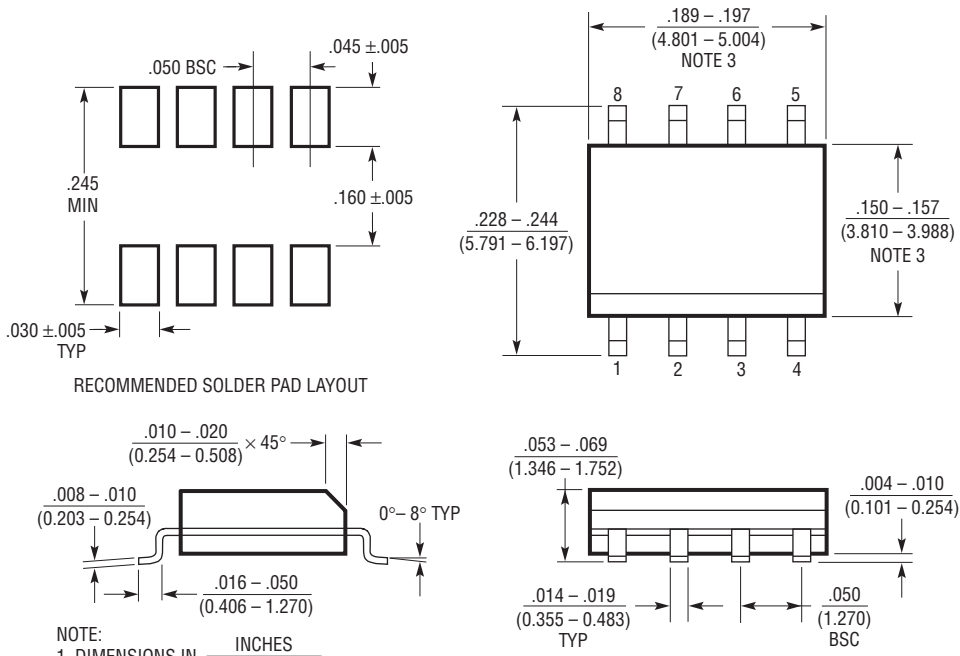


NOTE:
 1. DIMENSIONS ARE $\frac{\text{INCHES}}{\text{MILLIMETERS}}$
 *THESE DIMENSIONS DO NOT INCLUDE MOLD FLASH OR PROTRUSIONS.
 MOLD FLASH OR PROTRUSIONS SHALL NOT EXCEED .010 INCH (0.254mm)

PACKAGE DESCRIPTION

Please refer to <http://www.linear.com/product/LT1187#packaging> for the most recent package drawings.

S8 Package 8-Lead Plastic Small Outline (Narrow .150 Inch) (Reference LTC DWG # 05-08-1610 Rev G)



RECOMMENDED SOLDER PAD LAYOUT

- NOTE:
1. DIMENSIONS IN $\frac{\text{INCHES}}{\text{MILLIMETERS}}$
 2. DRAWING NOT TO SCALE
 3. THESE DIMENSIONS DO NOT INCLUDE MOLD FLASH OR PROTRUSIONS. MOLD FLASH OR PROTRUSIONS SHALL NOT EXCEED $.006''$ (0.15mm)
 4. PIN 1 CAN BE BEVEL EDGE OR A DIMPLE

S08 REV G 0212

REVISION HISTORY (Revision history begins at Rev B)

REV	DATE	DESCRIPTION	PAGE NUMBER
B	12/17	Corrected slew rate. Added hyperlinks.	1 All

RELATED PARTS

PART NUMBER	DESCRIPTION
LT1189	Low Power Video Difference Amplifier
LT1193	Adjustable Gain Video Difference Amplifier
LT1194	Gain = 10 Video Difference Amplifier
LT1206	250mA Out, 900V/μs, 60MHz CFA
LT1354	1mA, 12MHz 400V/μs Op Amplifier
LT6552	3.3V Video Difference Amplifier
LT6559	Low Cost 5V/±5V Triple Video Amplifier with Shutdown

Компания «Океан Электроники» предлагает заключение долгосрочных отношений при поставках импортных электронных компонентов на взаимовыгодных условиях!

Наши преимущества:

- Поставка оригинальных импортных электронных компонентов напрямую с производств Америки, Европы и Азии, а так же с крупнейших складов мира;
- Широкая линейка поставок активных и пассивных импортных электронных компонентов (более 30 млн. наименований);
- Поставка сложных, дефицитных, либо снятых с производства позиций;
- Оперативные сроки поставки под заказ (от 5 рабочих дней);
- Экспресс доставка в любую точку России;
- Помощь Конструкторского Отдела и консультации квалифицированных инженеров;
- Техническая поддержка проекта, помощь в подборе аналогов, поставка прототипов;
- Поставка электронных компонентов под контролем ВП;
- Система менеджмента качества сертифицирована по Международному стандарту ISO 9001;
- При необходимости вся продукция военного и аэрокосмического назначения проходит испытания и сертификацию в лаборатории (по согласованию с заказчиком);
- Поставка специализированных компонентов военного и аэрокосмического уровня качества (Xilinx, Altera, Analog Devices, Intersil, Interpoint, Microsemi, Actel, Aeroflex, Peregrine, VPT, Syfer, Eurofarad, Texas Instruments, MS Kennedy, Miteq, Cobham, E2V, MA-COM, Hittite, Mini-Circuits, General Dynamics и др.);

Компания «Океан Электроники» является официальным дистрибьютором и эксклюзивным представителем в России одного из крупнейших производителей разъемов военного и аэрокосмического назначения «JONHON», а так же официальным дистрибьютором и эксклюзивным представителем в России производителя высокотехнологичных и надежных решений для передачи СВЧ сигналов «FORSTAR».



JONHON

«JONHON» (основан в 1970 г.)

Разъемы специального, военного и аэрокосмического назначения:

(Применяются в военной, авиационной, аэрокосмической, морской, железнодорожной, горно- и нефтедобывающей отраслях промышленности)

«FORSTAR» (основан в 1998 г.)

ВЧ соединители, коаксиальные кабели,
кабельные сборки и микроволновые компоненты:

(Применяются в телекоммуникациях гражданского и специального назначения, в средствах связи, РЛС, а так же военной, авиационной и аэрокосмической отраслях промышленности).



Телефон: 8 (812) 309-75-97 (многоканальный)

Факс: 8 (812) 320-03-32

Электронная почта: ocean@oceanchips.ru

Web: <http://oceanchips.ru/>

Адрес: 198099, г. Санкт-Петербург, ул. Калинина, д. 2, корп. 4, лит. А