

2" (50.8 mm) Single Turn Conductive Plastic Precision Potentiometer



FEATURES

- Bushing mount and servo mount types available
- Virtually infinite resolution
- Up to 6 sections available
- Rotational life exceeds 20 million shaft revolutions
- Co-molded track and multi-finger wiper provide low noise signal
- Large ohmic value range: 500 Ω to 100 k Ω
- Material categorization: for definitions of compliance please see www.vishay.com/doc?99912


RoHS
COMPLIANT

QUICK REFERENCE DATA

Sensor type	ROTATIONAL, conductive plastic
Output type	Output by turrets
Market appliance	Professional
Dimensions	2" (50.8 mm)

ELECTRICAL SPECIFICATIONS

PARAMETER		
Total resistance standard range	500 Ω to 100 k Ω	
Tolerance	STANDARD $\pm 10\%$	SPECIAL $\pm 5\%$
Linearity (independent)	STANDARD $\pm 0.25\%$	SPECIAL $\pm 0.05\%$
Electrical angle	$350^\circ \pm 2^\circ$	
Power rating Section 1 Additional sections	2.0 W at 70 $^\circ\text{C}$ ambient derated to zero at 125 $^\circ\text{C}$ (400 V _{DC} maximum) 75 % of the rating of section 1	
Output smoothness	0.1 % maximum	
Insulation resistance	1000 M Ω minimum, 500 V _{DC}	
Dielectric strength	1000 V _{RMS} , 60 Hz	
Taps (extra)	Extra taps available as special	
Phasing	Points at which output ratio is 0.5 aligned $\pm 1^\circ$ (ref. to section 1)	
Temperature coefficient of resistance	± 600 ppm/ $^\circ\text{C}$ maximum	

ORDERING INFORMATION

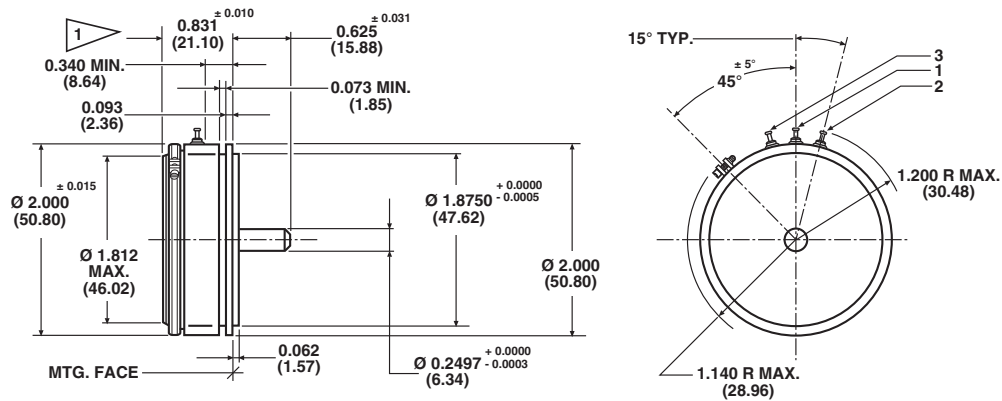
3	0	8	S	1	2	0	3	2	0	3				
MODEL			STYLE		GANGS			OHMIC VALUE GANGS N ^o 1		OHMIC VALUE GANGS N ^o 2		SPECIAL REQUEST		
308			B: bushing S: servo		1 2 3 4 5 6			470 = 47 Ω 222 = 2,200 Ω 103 = 10 k Ω For ohmic value range see electrical specification		470 = 47 Ω 222 = 2,200 Ω 103 = 10 k Ω For ohmic value range see electrical specification		xxxx		

PART NUMBER DESCRIPTION (for information only)

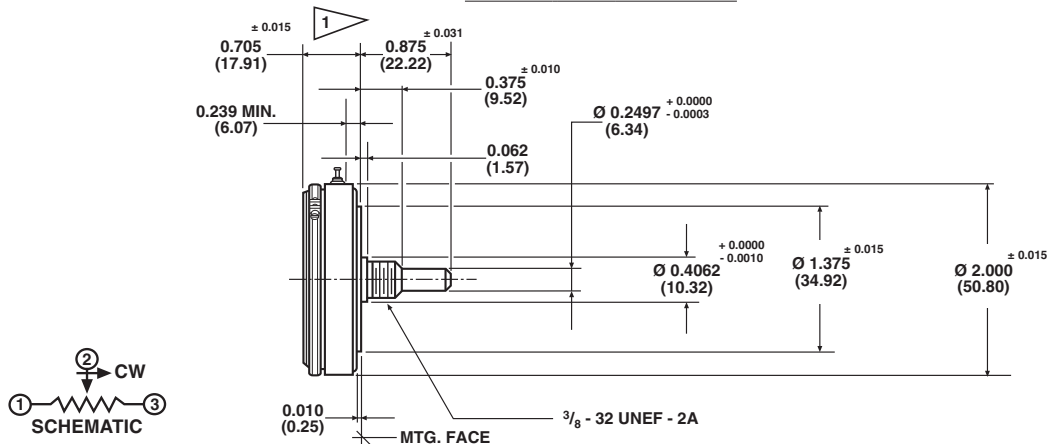
308-	1	2	103	203	xxxx
MODEL	STYLE	GANGS	OHMIC VALUE GANGS N ^o 1	OHMIC VALUE GANGS N ^o 2	SPECIAL
	B: 1 S: 2				

DIMENSIONS in inches (millimeters)

SERVO MOUNT: 308S/308-2



BUSHING MOUNT: 308B/308-1



1 ADD 0.500 ± 0.002 (12.70) FOR EACH ADDITIONAL SECTION

TOLERANCES: UNLESS OTHERWISE NOTED.
DECIMALS ± 0.005 ANGLES ± 2°

MECHANICAL SPECIFICATIONS

PARAMETER		
Rotation	360° (continuous)	
Bearing type	Ball bearing	
Servo mount:	Ball bearing	
Bushing mount:	Sleeve bearing	
Ganging	6 sections maximum. Terminal alignment, added sections, within ± 10° of section 1 terminals	
Torque (maximums)		
Mounting		
Servo, 1 section	STARTING 1.0 oz. - in (72.00 g - cm)	RUNNING 0.5 oz. - in (36.00 g - cm)
Bushing, 1 section	1.7 oz. - in (122.40 g - cm)	1.0 oz. - in (72.00 g - cm)
Each additional section	0.6 oz. - in (43.20 g - cm)	0.4 oz. - in (28.80 g - cm)
Runouts (maximums)		
Shaft (TIR/in)	SERVO 0.002" (0.05 cm)	BUSHING 0.002" (0.05 cm)
Pilot dia. (TIR)	0.002" (0.05 cm)	0.002" (0.05 cm)
Lateral (TIR)	0.003" (0.08 cm)	0.005" (0.13 cm)
Shaft end Play	0.005" (0.13 cm)	0.005" (0.13 cm)
Shaft Radial play	0.002" (0.05 cm)	0.003" (0.08 cm)
Moment of inertia	2.0 g - cm ² per section maximum	
Weight		
Single section	4.0 oz. (127.57 g)	
Each additional section	1.2 oz. (34.02 g)	

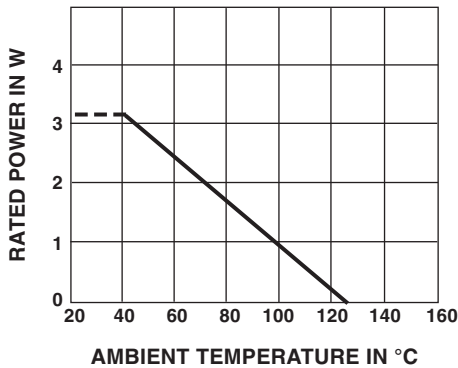


MATERIAL SPECIFICATIONS	
Housing and lids	Aluminum, anodized
Shaft and clamp rings	Stainless steel, non-magnetic non-passivated
Terminals	Brass, gold plated for solderability
Bushing mount hardware Lockwasher internal tooth: Panel nut:	Steel, nickel plated Brass, nickel plated

MARKING	
Unit identification	Units shall be marked with Spectrol name, model no, and data code, and on each section, resistance, resistance tolerance, linearity and terminal identification. Example of a marking for a standard part: 308-21503

POWER RATING CHART

(Ratings for cup No. 1. Additional cups 75 % of values shown)



ENVIRONMENTAL SPECIFICATIONS	
Vibration	15 g thru 2000 Hz
Shock	50 g
Salt spray	96 h
Rotational life	Servo: 20 million shaft revolutions Bushing: 5 million shaft revolutions
Load life	900 h
Temperature range	-55 °C to +125 °C

Note

- Nothing stated herein shall be construed as a guarantee of quality or durability.

RESISTANCE ELEMENT DATA	
RESISTANCE VALUES (Ω)	MAXIMUM VOLTAGE APPLICABLE (V)
500	32
1K	45
2K	71
5K	100
10K	141
20K	224
50K	316
100K	350 ⁽¹⁾

Note

- ⁽¹⁾ Maximum voltage allowable



Disclaimer

ALL PRODUCT, PRODUCT SPECIFICATIONS AND DATA ARE SUBJECT TO CHANGE WITHOUT NOTICE TO IMPROVE RELIABILITY, FUNCTION OR DESIGN OR OTHERWISE.

Vishay Intertechnology, Inc., its affiliates, agents, and employees, and all persons acting on its or their behalf (collectively, "Vishay"), disclaim any and all liability for any errors, inaccuracies or incompleteness contained in any datasheet or in any other disclosure relating to any product.

Vishay makes no warranty, representation or guarantee regarding the suitability of the products for any particular purpose or the continuing production of any product. To the maximum extent permitted by applicable law, Vishay disclaims (i) any and all liability arising out of the application or use of any product, (ii) any and all liability, including without limitation special, consequential or incidental damages, and (iii) any and all implied warranties, including warranties of fitness for particular purpose, non-infringement and merchantability.

Statements regarding the suitability of products for certain types of applications are based on Vishay's knowledge of typical requirements that are often placed on Vishay products in generic applications. Such statements are not binding statements about the suitability of products for a particular application. It is the customer's responsibility to validate that a particular product with the properties described in the product specification is suitable for use in a particular application. Parameters provided in datasheets and/or specifications may vary in different applications and performance may vary over time. All operating parameters, including typical parameters, must be validated for each customer application by the customer's technical experts. Product specifications do not expand or otherwise modify Vishay's terms and conditions of purchase, including but not limited to the warranty expressed therein.

Except as expressly indicated in writing, Vishay products are not designed for use in medical, life-saving, or life-sustaining applications or for any other application in which the failure of the Vishay product could result in personal injury or death. Customers using or selling Vishay products not expressly indicated for use in such applications do so at their own risk. Please contact authorized Vishay personnel to obtain written terms and conditions regarding products designed for such applications.

No license, express or implied, by estoppel or otherwise, to any intellectual property rights is granted by this document or by any conduct of Vishay. Product names and markings noted herein may be trademarks of their respective owners.

Material Category Policy

Vishay Intertechnology, Inc. hereby certifies that all its products that are identified as RoHS-Compliant fulfill the definitions and restrictions defined under Directive 2011/65/EU of The European Parliament and of the Council of June 8, 2011 on the restriction of the use of certain hazardous substances in electrical and electronic equipment (EEE) - recast, unless otherwise specified as non-compliant.

Please note that some Vishay documentation may still make reference to RoHS Directive 2002/95/EC. We confirm that all the products identified as being compliant to Directive 2002/95/EC conform to Directive 2011/65/EU.

Vishay Intertechnology, Inc. hereby certifies that all its products that are identified as Halogen-Free follow Halogen-Free requirements as per JEDEC JS709A standards. Please note that some Vishay documentation may still make reference to the IEC 61249-2-21 definition. We confirm that all the products identified as being compliant to IEC 61249-2-21 conform to JEDEC JS709A standards.

Компания «Океан Электроники» предлагает заключение долгосрочных отношений при поставках импортных электронных компонентов на взаимовыгодных условиях!

Наши преимущества:

- Поставка оригинальных импортных электронных компонентов напрямую с производств Америки, Европы и Азии, а так же с крупнейших складов мира;
- Широкая линейка поставок активных и пассивных импортных электронных компонентов (более 30 млн. наименований);
- Поставка сложных, дефицитных, либо снятых с производства позиций;
- Оперативные сроки поставки под заказ (от 5 рабочих дней);
- Экспресс доставка в любую точку России;
- Помощь Конструкторского Отдела и консультации квалифицированных инженеров;
- Техническая поддержка проекта, помощь в подборе аналогов, поставка прототипов;
- Поставка электронных компонентов под контролем ВП;
- Система менеджмента качества сертифицирована по Международному стандарту ISO 9001;
- При необходимости вся продукция военного и аэрокосмического назначения проходит испытания и сертификацию в лаборатории (по согласованию с заказчиком);
- Поставка специализированных компонентов военного и аэрокосмического уровня качества (Xilinx, Altera, Analog Devices, Intersil, Interpoint, Microsemi, Actel, Aeroflex, Peregrine, VPT, Syfer, Eurofarad, Texas Instruments, MS Kennedy, Miteq, Cobham, E2V, MA-COM, Hittite, Mini-Circuits, General Dynamics и др.);

Компания «Океан Электроники» является официальным дистрибьютором и эксклюзивным представителем в России одного из крупнейших производителей разъемов военного и аэрокосмического назначения «JONHON», а так же официальным дистрибьютором и эксклюзивным представителем в России производителя высокотехнологичных и надежных решений для передачи СВЧ сигналов «FORSTAR».



JONHON

«JONHON» (основан в 1970 г.)

Разъемы специального, военного и аэрокосмического назначения:

(Применяются в военной, авиационной, аэрокосмической, морской, железнодорожной, горно- и нефтедобывающей отраслях промышленности)

«FORSTAR» (основан в 1998 г.)

ВЧ соединители, коаксиальные кабели, кабельные сборки и микроволновые компоненты:

(Применяются в телекоммуникациях гражданского и специального назначения, в средствах связи, РЛС, а так же военной, авиационной и аэрокосмической отраслях промышленности).



Телефон: 8 (812) 309-75-97 (многоканальный)

Факс: 8 (812) 320-03-32

Электронная почта: ocean@oceanchips.ru

Web: <http://oceanchips.ru/>

Адрес: 198099, г. Санкт-Петербург, ул. Калинина, д. 2, корп. 4, лит. А