

IFX81481ELV

10 A synchronous DC/DC Step-Down Controller

Data Sheet

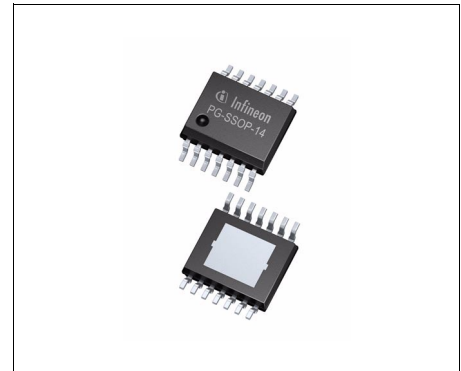
Rev. 1.0, 2013-09-02

Standard Power



1 Overview

- 10 A synchronous step down Controller
- Current limitation adjustable with Shunt resistor or R_{dson}
- Adjustable output voltage
- ± 2% output voltage tolerance
- External power transistors
- Integrated bootstrap diode
- PWM regulation
- Very Low Dropout Operation: max Duty Cycle higher than 99%
- Input voltage range from 4.75V to 45V
- Adjustable switching frequency from 100 to 700 kHz
- Synchronization input
- Very low shutdown current consumption (<2μA)
- Soft-start function
- Input undervoltage lockout
- Suited for industrial applications: $T_j = -40^{\circ}\text{C}$ to $+125^{\circ}\text{C}$
- Green Product (RoHS compliant)



PG-SSOP-14

The **IFX81481ELV** is not qualified and manufactured according to the requirements of Infineon Technologies with regards to automotive and/or transportation applications. For automotive applications please refer to the Infineon TLx (TLE, TLS, TLF.....) voltage regulator products.

Description

The IFX81481ELV is a PWM step-down DC/DC controller with external power switches, packaged in a small PG-SSOP-14 with exposed pad. The controller is capable to drive external power MOSFETs for load currents up to 10 A. A current limitation feature is provided, which can be implemented either in R_{dson} configuration, measuring the voltage over the high-side switch while it is closed, or in a shunt configuration where a shunt resistor above the high-side switch is used to measure the voltage.

| Type | Package | Marking |
|-------------|------------|----------|
| IFX81481ELV | PG-SSOP-14 | 81481ELV |

2 Block Diagram

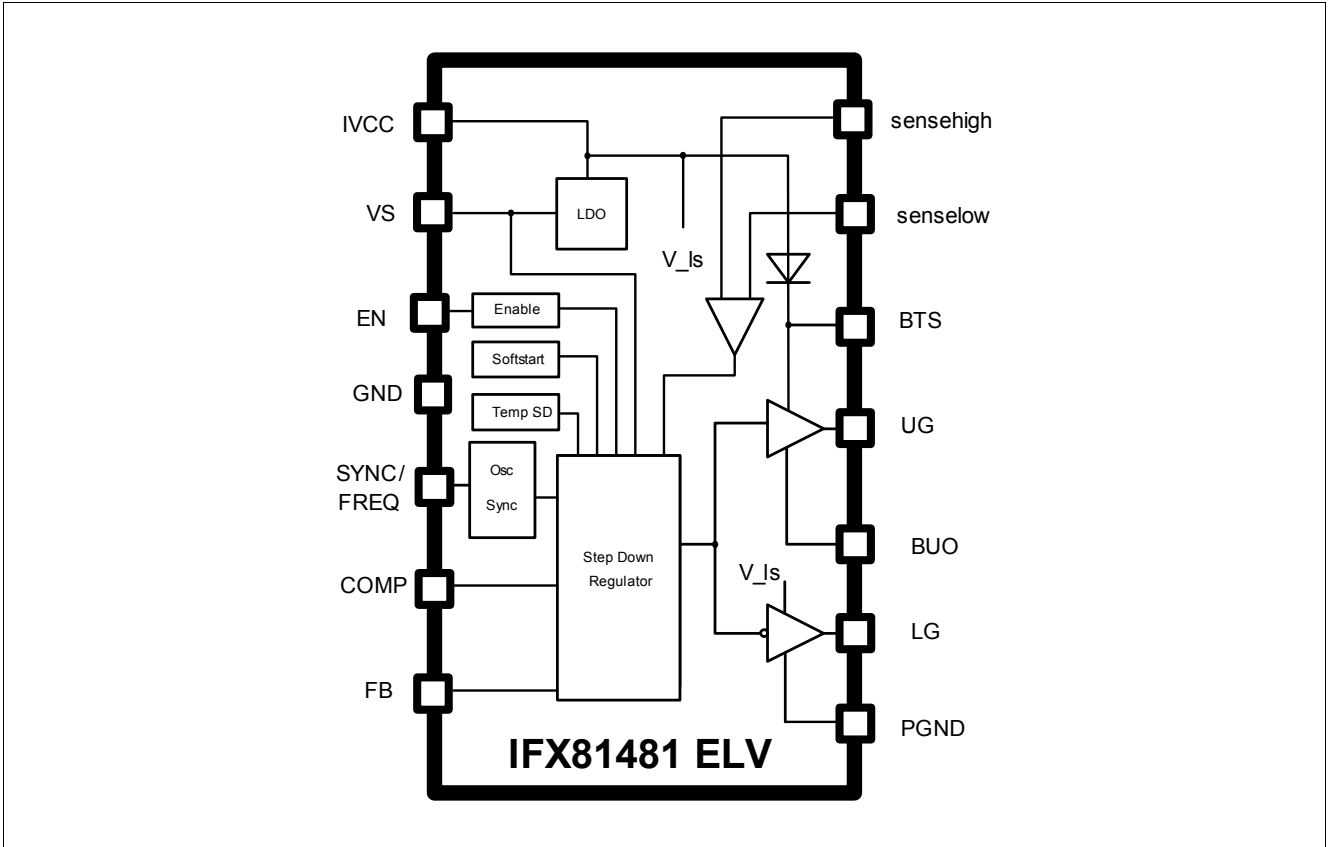


Figure 1 Block Diagram

3 Pin Configuration

3.1 Pin Assignment

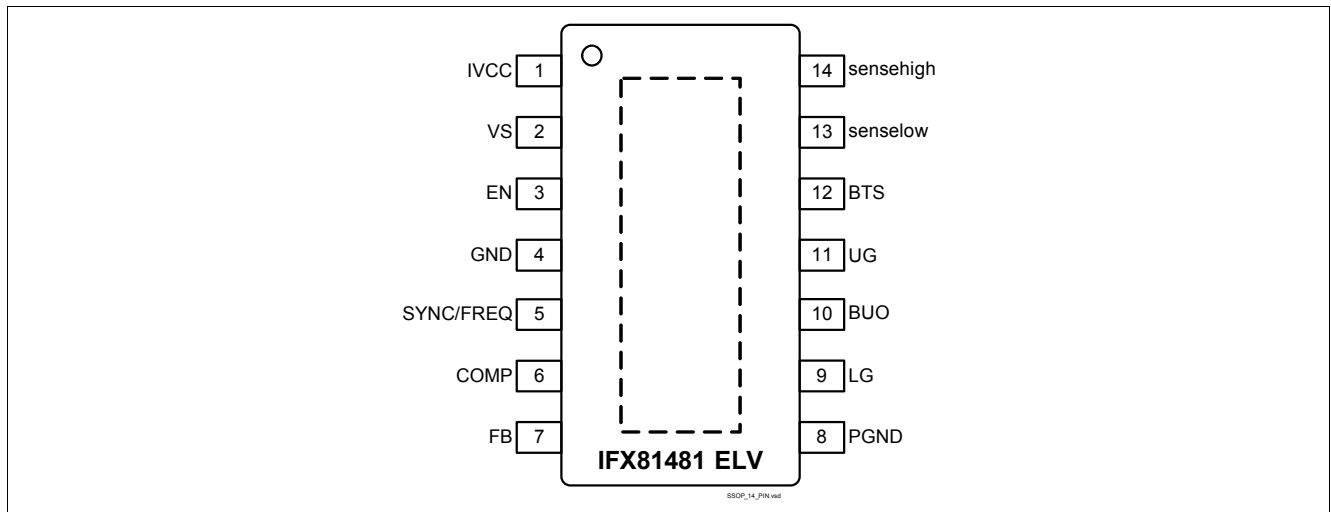


Figure 2 Pin Configuration

3.2 Pin Definitions and Functions

| Pin | Symbol | Function |
|-----|---------------|--|
| 1 | IVCC | Internal Voltage Supply Output of the internal linear regulator, supply for low-side driver and through internal bootstrap diode to high-side driver, connect a capacitor between this pin and GND |
| 2 | VS | Input Voltage Connect to input voltage for internal power supply |
| 3 | EN | Enable Input Active-high enable input with integrated pull down resistor |
| 4 | GND | Ground Connect to ground plane |
| 5 | SYNC/ FREQ | Synchronization and Oscillator frequency set Input Connect to an external clock signal in order to synchronize/adjust the switching frequency (SYNC-mode). Connect an external resistor to set the frequency (FREQ-mode) |
| 6 | COMP | Compensation Input Frequency compensation for regulation loop stability Connect to compensation network |
| 7 | FB | Feedback Input Connect via voltage divider to output capacitor |
| 8 | PGND | Power Ground Connect to Ground plane |
| 9 | LG | Low-side MOSFET driver output Driving output for the low-side external power MOSFET, connect to gate |
| 10 | BUO | Buck Switch Out Connect this point between the switching transistors, floating ground for high-side driver |

Pin Configuration

| Pin | Symbol | Function |
|-------------|---------------|---|
| 11 | UG | Up-side MOSFET driver output Driving output for the high-side external power MOSFET, connect to gate |
| 12 | BTS | Buck Driver Supply Input Connect the bootstrap capacitor between this pin and pin BUO |
| 13 | sense low | Current sensing (low-side) input For Shunt-configuration connect a shunt resistor from senselow to input/battery voltage, for Rdson-configuration connect to source of the high-side MOSFET |
| 14 | sense high | Current sensing (high-side) input Connect a resistor between battery and this pin to adjust the current threshold for both Rdson and Shunt configurations |
| Exposed Pad | | Connect to heatsink area and GND by low inductance wiring |

4 General Product Characteristics

4.1 Absolute Maximum Ratings

Absolute Maximum Ratings¹⁾

$T_j = -40^\circ\text{C}$ to $+125^\circ\text{C}$; all voltages with respect to ground (unless otherwise specified)

| Pos. | Parameter | Symbol | Limit Values | | Unit | Conditions |
|---------------------------|------------------------------------|------------------------|---------------------------|---------------------------------|------------------|---------------------|
| | | | Min. | Max. | | |
| Voltages | | | | | | |
| 4.1.1 | Synchronization Input | V_{SYNC} | -0.3 | 5.5 | V | – |
| 4.1.2 | | | | 6.2 | V | $t < 10\text{s}^2)$ |
| 4.1.3 | Compensation Input | V_{COMP} | -0.3 | 5.5 | V | – |
| 4.1.4 | | | | 6.2 | V | $t < 10\text{s}^2)$ |
| 4.1.5 | Feedback Input | V_{FB} | -0.3 | 5.5 | V | |
| 4.1.6 | Buck Driver Supply Input | V_{BTS} | V_{BUO} - 0.3 | V_{BUO} + 5.0 | V | |
| 4.1.7 | Buck Switch Output | V_{BUO} | -2.0 | 45 | V | |
| 4.1.8 | Enable Input | V_{EN} | -20 | 45 | V | |
| 4.1.9 | Supply Voltage Input | V_{S} | -0.3 | 45 | V | |
| 4.1.10 | Sensehigh | $V_{\text{sensehigh}}$ | -0.3 | 45 | V | |
| 4.1.11 | Senselow | V_{senselow} | -2.0 | $V_{\text{sensehigh}}$ + 0.3 | V | |
| 4.1.12 | IVCC | V_{IVCC} | -0.3 | 6.0 | V | |
| 4.1.13 | Upper Transistor Gate | V_{UG} | V_{BUO} - 0.3 | V_{BTS} + 0.3 | V | |
| 4.1.14 | Lower Transistor Gate | V_{LG} | -0.3 | 6.5 | V | |
| Temperatures | | | | | | |
| 4.1.15 | Junction Temperature | T_j | -40 | 150 | $^\circ\text{C}$ | – |
| 4.1.16 | Storage Temperature | T_{stg} | -55 | 150 | $^\circ\text{C}$ | – |
| ESD Susceptibility | | | | | | |
| 4.1.17 | ESD Resistivity | V_{ESD} | -2 | 2 | kV | HBM ³⁾ |
| 4.1.18 | ESD Resistivity to GND | V_{ESD} | -500 | 500 | V | CDM ⁴⁾ |
| 4.1.19 | ESD Resistivity corner pins to GND | V_{ESD} | -750 | 750 | V | CDM ⁴⁾ |

1) Not subject to production test, specified by design

2) Exposure to those absolute maximum ratings for extended periods of time ($t < 10\text{s}$) may affect device reliability

3) ESD susceptibility, HBM according to ANSI/ESDA/JEDEC JS001 (1.5 k Ω , 100 pF)

4) ESD susceptibility, Charged Device Model "CDM" according JEDEC JESD22-C101

Note: Stresses above the ones listed here may cause permanent damage to the device. Exposure to absolute maximum rating conditions for extended periods may affect device reliability.

Note: Integrated protection functions are designed to prevent IC destruction under fault conditions described in the data sheet. Fault conditions are considered as "outside" normal operating range. Protection functions are not designed for continuous repetitive operation.

4.2 Functional Range

| Pos. | Parameter | Symbol | Limit Values | | Unit | Conditions |
|-------|-----------------------------|-----------|--------------|----------------------|------|------------|
| | | | Min. | Max. | | |
| 4.2.1 | Supply Voltage | V_S | 4.75 | 45 | V | – |
| 4.2.2 | Max. Duty Cycle | D_{max} | – | >99 | % | – |
| 4.2.3 | Output Voltage adjust range | V_{CC} | 1.20 | $D_{max} \times V_S$ | V | – |
| 4.2.4 | Junction Temperature | T_j | -40 | 125 | °C | – |

Note: Within the functional range the IC operates as described in the circuit description. The electrical characteristics are specified within the conditions given in the related electrical characteristics table.

4.3 Thermal Resistance

| Pos. | Parameter | Symbol | Limit Values | | | Unit | Conditions |
|-------|--------------------------------------|------------|--------------|------|------|------|----------------------------|
| | | | Min. | Typ. | Max. | | |
| 4.3.1 | Junction to Case ¹⁾ | R_{thJC} | – | 10 | – | K/W | – |
| 4.3.2 | Junction to Ambient ^{1) 2)} | R_{thJA} | – | 47 | – | K/W | 2s2p |
| 4.3.3 | | R_{thJA} | – | 54 | – | K/W | 1s0p + 600 mm ² |
| 4.3.4 | | R_{thJA} | – | 64 | – | K/W | 1s0p + 300 mm ² |

1) Not subject to production test, specified by design.

2) Specified R_{thJA} value is according to JEDEC 2s2p (JESD 51-7) + (JESD 51-5) and JEDEC 1s0p (JESD 51-3) + heatsink area at natural convection on FR4 board;

5 Regulator

5.1 Description

The IFX81481ELV is a synchronous step down controller for output currents up to 10 Amps. The power stage consists of two external MOSFETs with logic level gate signal. The switching frequency can be adjusted between 100 and 700 kHz by connecting an external resistor between pin SYNC/FREQ and GND (FREQ-mode). By connecting this pin to a frequency source the IFX81481ELV might be synchronized to a frequency between 350 and 700 kHz (SYNC-mode).

A valid high signal at pin EN will start the regulator. Then it will ramp up with a soft start ramp, which is derived from the switching frequency (i.e.: the soft start ramp will last around 1 msec at a switching frequency of 500 kHz).

The regulator is working in voltage mode, there is no feedforward function included and it operates in continuous conduction mode only.

An external compensation network connected to pin COMP is necessary to compensate the switching ripple on the feedback line. The compensation network must be adapted to the application.

The regulator can withstand a short circuit at the output. The current limitation can be implemented measuring the drop across the $R_{ds(on)}$ of the external high-side MOSFET (Rdson-configuration), or by shunt resistor located in series with the drain of high-side MOSFET (Shunt-configuration).

The output voltage is monitored using pin FB. If the output voltage exceeds the overvoltage threshold (10% higher than the regulated output voltage), the low-side external MOSFET is turned on in order to discharge the output capacitor and lower the output voltage to the nominal value.

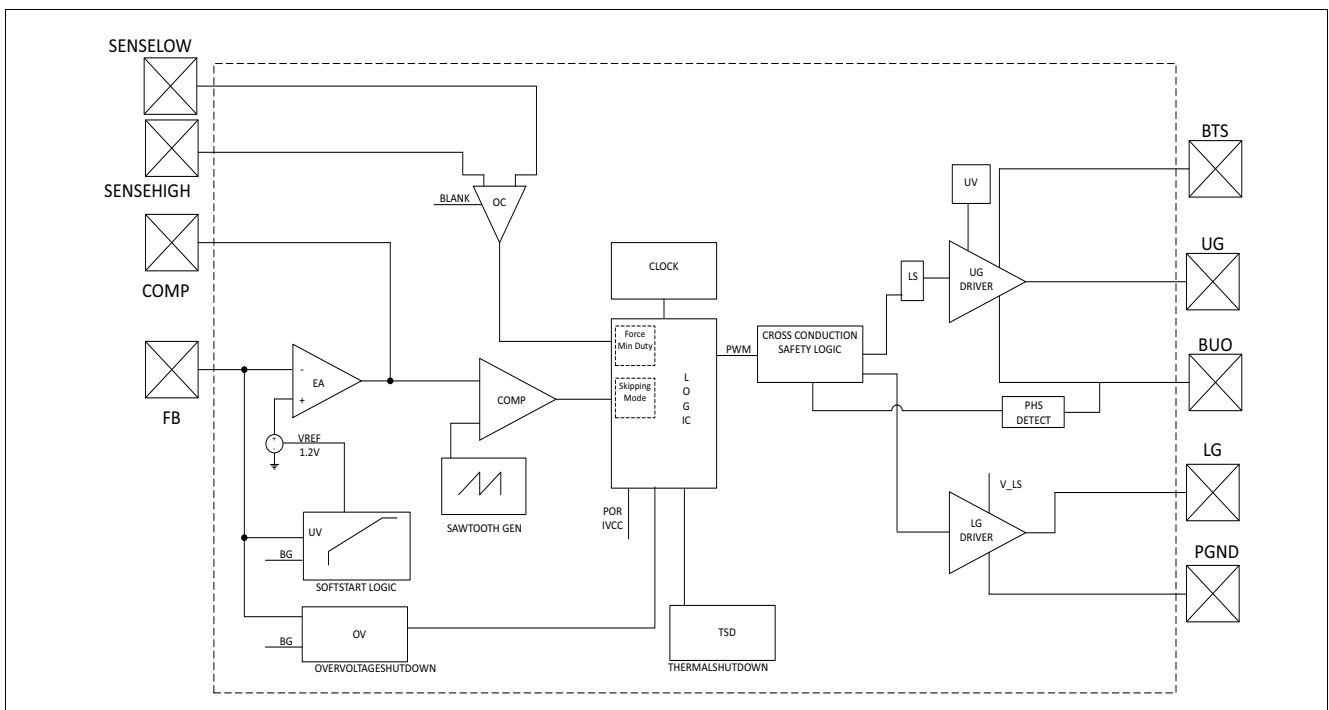


Figure 3 Block Diagram Buck Regulator

5.2 The Soft start

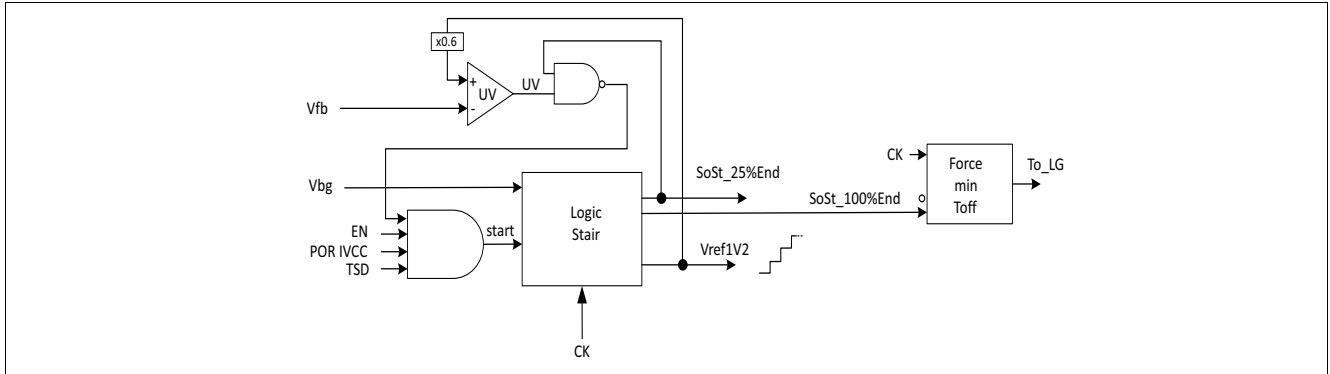


Figure 4 Soft start block diagram

An integrated Soft start function (of duration 512 clock cycles, where a clock cycle is derived from the switching frequency) ensures that the inrush current will be limited and prevents from output voltage overshoots.

When the regulator starts from OFF state (EN pin forced from low to high), an additional pre-charging function is triggered before Soft start: for a time slot of 64 clock cycles, low-side MOSFET is switched ON and OFF at fixed frequency of 1.5 MHz and 50% duty cycle, in order to charge in advance the bootstrap capacitor.

If an under voltage appears during Soft start, it is recognized only after 25% of the Soft start stair, this is realized by the signal SoSt_25%End. In case 1) the UV is permanent fault (i.e. the BTS cap is not charged or shorted, or the output cap is shorted). In case 2) the UV failure is removed before the 25% of the Soft start procedure is reached (i.e. the output cap is too large and the system is not able to charge it fast enough). In case 1), a permanent UV, the soft start begins again the procedure after a delay of 512 clock cycles.

In case of pre-charged output condition, the system recognizes it and keeps the external switches in high impedance in order not to discharge the output capacitance.

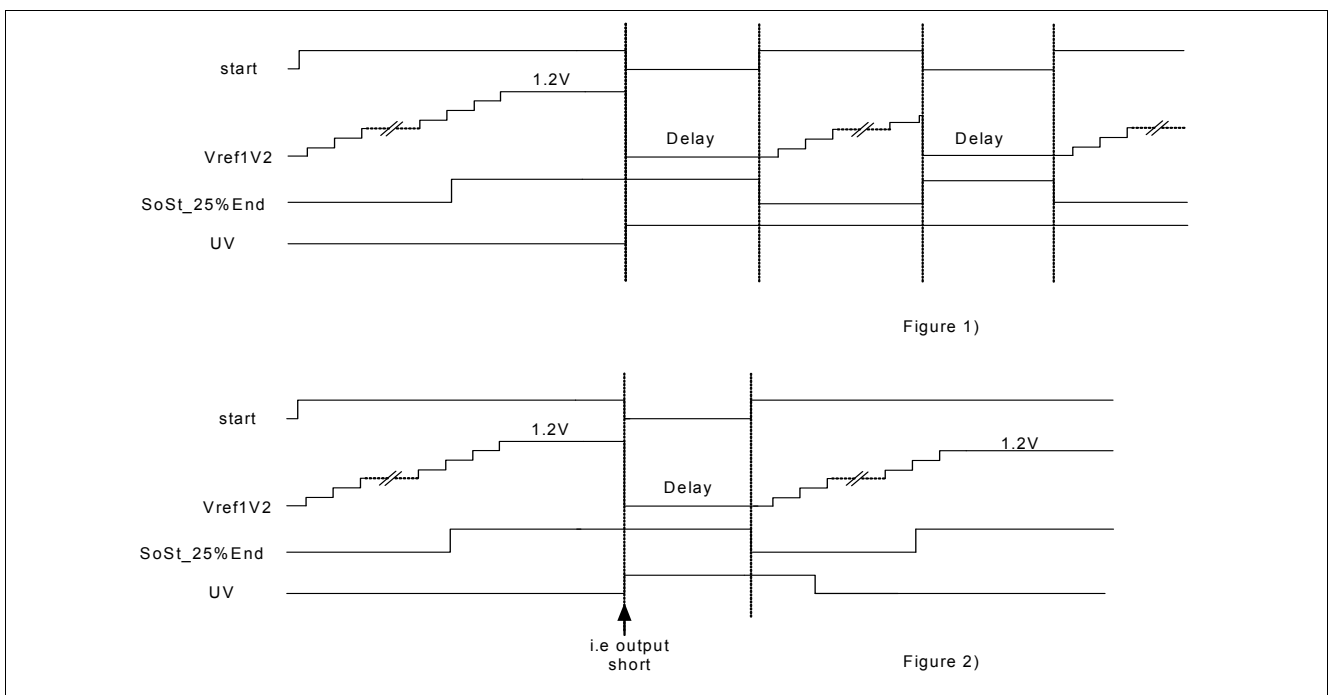


Figure 5 Soft start timing

5.3 Operation Mode

The PWM pulses are voltage controlled. The error amplifier and the PWM comparator are creating the PWM pulses using the oscillator saw-tooth signal and the feedback voltage. The pulse-width modulation is done so that the feedback voltage is similar to the reference voltage (1.2 V). To achieve a stable output voltage even under very low or very high duty cycle conditions a pulse skipping mode is implemented. When the minimum off time for the up-side gate is reached (boundary between dark grey area and light grey area in **Figure 6**), the IFX81481ELV operates in pulse skipping mode for high duty cycle. This operation mode is typically used with low supply voltages for very low dropout operation. If the minimum on time for the up-side gate is reached (boundary between dark grey area and light grey area in **Figure 6**) the IFX81481ELV operates in pulse skipping mode for low duty cycle.

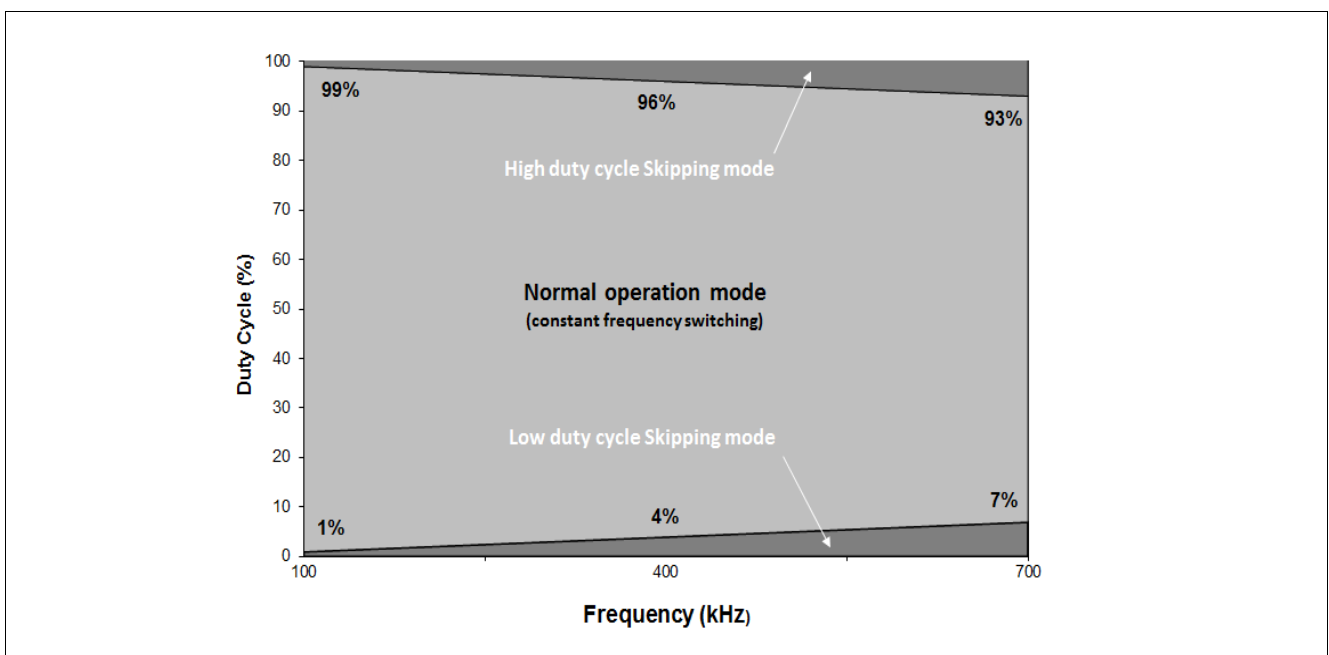


Figure 6 Operation Mode

5.5 Current Limitation

5.5.1 Rdson-configuration

To optimize the efficiency, the regulator is measuring the voltage (which is the current through the MOSFET multiplied by the Rdson) over the high-side switch, if it should be too high the pulse will be cut off. By varying the sense resistor between the pin sensehigh and the drain of the high-side MOSFET the current limit can be adjusted. Senselow is connected to the source of the MOSFET.

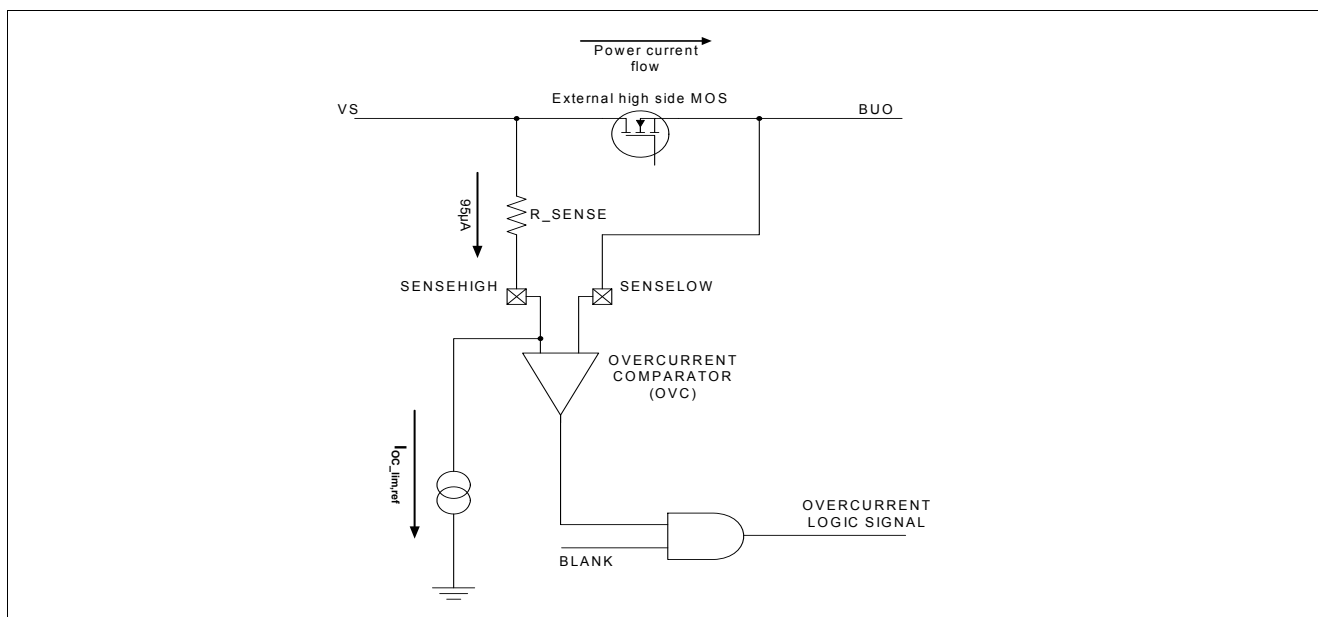


Figure 8 Rdson-configuration for current limitation

The figure above shows the concept of the Rdson configuration for current limitation. The characteristics of the external high-side MOSFET must be known, especially its thermal behavior. The current limitation might be calculated with the following equation:

$$I_{limit} = I_{OC_lim,ref} \cdot \frac{R_SENSE}{R_{dson_EXT_MOS}}$$

5.5.2 Shunt-configuration

The regulator is offering a second possibility to do a more accurate current measurement by shunt resistor located in series with the drain of the high-side MOSFET. The shunt resistor will be placed in the input current path and be connected to the overcurrent comparator with pin senselow and through a sense resistor to pin sensehigh. By varying the sense resistor the current limit can be adjusted.

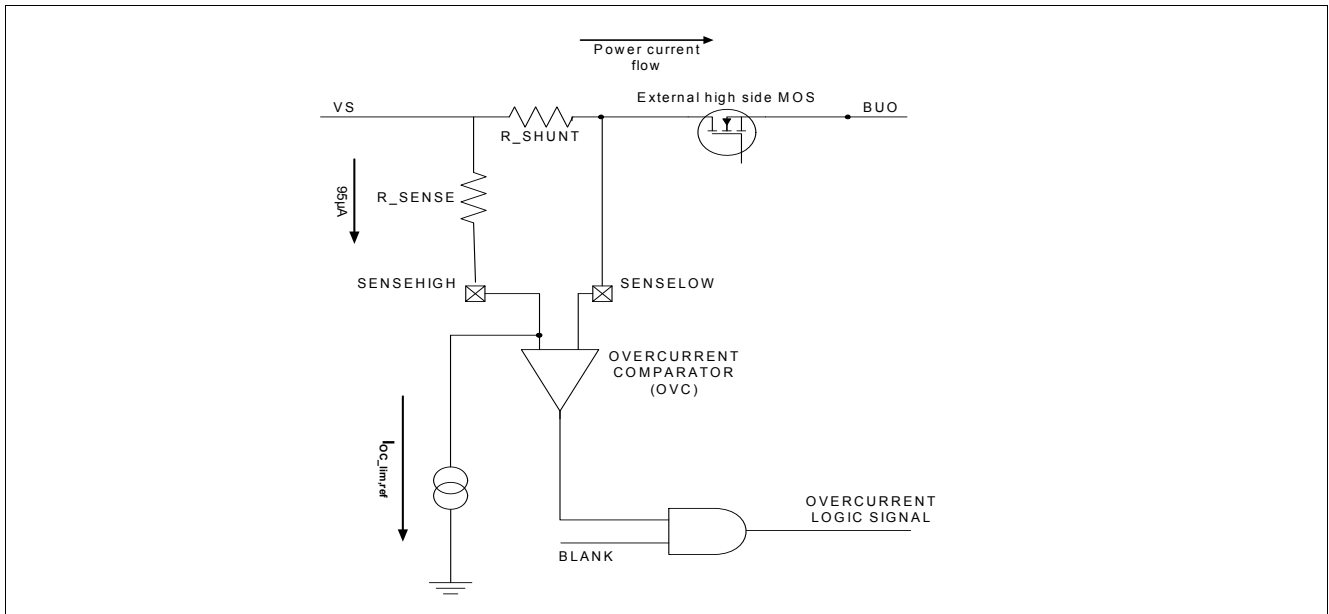


Figure 9 Shunt-configuration for current limitation

The Shunt-configuration works similar to the R_{ds(on)}-configuration, it uses also pins Sensehigh and Senselow. The current limitation might be calculated with the following equation:

$$I_{limit} = I_{OC_lim_ref} \cdot \frac{R_{SENSE}}{R_{SHUNT}}$$

5.6 Electrical Characteristics

Electrical Characteristics:

$V_S = 6.0\text{ V to }40\text{ V}$, $T_j = -40^\circ\text{C to }+125^\circ\text{C}$, all voltages with respect to ground (unless otherwise specified)

| Pos. | Parameter | Symbol | Limit Values | | | Unit | Conditions |
|--------|---|---------------------------------|----------------------|----------------------|----------------------|---------------|--|
| | | | Min. | Typ. | Max. | | |
| 5.6.1 | Output voltage | V_{FB} | 1.176 | 1.200 | 1.224 | V | $V_{EN} = 12\text{V}$; $I_{CC} < 10\text{A}$ |
| 5.6.2 | Output overvoltage threshold | $V_{FB,OV}$ | $1.05 \times V_{FB}$ | $1.1 \times V_{FB}$ | $1.15 \times V_{FB}$ | V | V_{FB} increasing; $V_{COMP} = 3\text{V}$; Monitor LG low to high |
| 5.6.3 | Output overvoltage threshold hysteresis | $V_{FB,OV,hyst}$ | $0.02 \times V_{FB}$ | $0.05 \times V_{FB}$ | $0.08 \times V_{FB}$ | V | – |
| 5.6.4 | FB input current | I_{FB} | -1 | -0.1 | 0 | μA | $V_{FB} = 1.2\text{V}$ |
| 5.6.5 | Error amplifier, gain | gm_{EA} | 0.8 | 1.2 | 1.6 | mS | $V_{FB} = 1.2\text{V}$ |
| 5.6.6 | Error amplifier, output resistance | $R_{EA,OUT}$ | 1.0 | – | – | M Ω | $V_{FB} = 1.2\text{V}$; $V_{COMP} = 1.2\text{V}$ |
| 5.6.7 | Error amplifier, ramp amplitude, FREQ-mode | $V_{Comp,peak}$ to peak,FREQ | 1.0 | – | 1.6 | V | $V_{FB} = 1.2\text{V}$; FREQ-mode; $f_{FREQ} = 100\text{ - }700\text{kHz}$; Monitor LG |
| 5.6.8 | Error amplifier, ramp amplitude, SYNC-mode | $V_{Comp,peak}$ to peak,SYNC | 0.6 | – | 2.6 | V | $V_{FB} = 1.2\text{V}$; SYNC-mode; $f_{SYNC} = 350\text{ - }700\text{kHz}$; Monitor LG |
| 5.6.9 | Error amplifier output, source and sink current | $I_{Comp,max}$ | 150 | 280 | 450 | μA | Source current: $V_{FB} = 0.8\text{V}$, $V_{COMP} = 2.5\text{V}$; Sink current: $V_{FB} = 2.4\text{V}$, $V_{COMP} = 2.5\text{V}$ |
| 5.6.10 | Comp pin, minimum voltage | $V_{Comp,min}$ | 0.8 | – | – | V | V_{COMP} increasing; Monitor UG |
| 5.6.11 | Bootstrap under voltage lockout threshold for UG turn-off | $V_{BTS,off}$ | $V_{BUO} + 3.0$ | – | – | V | V_{BTS_BUO} voltage decreasing |
| 5.6.12 | Bootstrap under voltage lockout, hysteresis | $V_{BTS,hyst}$ | – | 300 | – | mV | – |
| 5.6.13 | Bootstrap capacitor discharge current | I_{BTS_BUO} | – | 150 | – | μA | $V_{BTS_BUO} = 4.5\text{V}$ |
| 5.6.14 | Bootstrap diode forward voltage | $V_{DBTS,fwd}$ | – | 0.8 | – | V | $I_{DBTS} = 20\text{mA}$ |
| 5.6.15 | Minimum on time Upper Gate | $T_{UGON,min}$ | – | 100 | – | ns | ¹⁾ |
| 5.6.16 | Minimum off time Upper Gate | $T_{UGOFF,min}$ | – | 100 | – | ns | ¹⁾ |
| 5.6.17 | Soft start ramp | t_{start} | – | $512 \times 1/f$ | – | μs | $f = f_{FREQ}$, FREQ-mode; $f = f_{SYNC}$, SYNC-mode |
| 5.6.18 | Input under voltage shutdown threshold | $V_{S,off}$ | 3.7 | – | – | V | V_S decreasing |

Electrical Characteristics:
 $V_S = 6.0\text{ V to }40\text{ V}$, $T_j = -40^\circ\text{C to }+125^\circ\text{C}$, all voltages with respect to ground (unless otherwise specified)

| Pos. | Parameter | Symbol | Limit Values | | | Unit | Conditions |
|--------|---|--------------|--------------|------|------|------|------------------|
| | | | Min. | Typ. | Max. | | |
| 5.6.19 | Input voltage startup threshold | $V_{S,on}$ | – | – | 4.75 | V | V_S increasing |
| 5.6.20 | Input under voltage shutdown hysteresis | $V_{S,hyst}$ | – | 300 | – | mV | – |

Gate Driver for upper Switch

| | | | | | | | |
|--------|---|--------------|---|------|-----|----|--|
| 5.6.21 | Upper Gate Driver Peak Sourcing Current | $I_{UG,src}$ | – | -380 | – | mA | $V_{UG} = 3.5V^{1)}$ |
| 5.6.22 | Upper Gate Driver Peak Sinking Current | $I_{UG,snk}$ | – | 550 | – | mA | $V_{UG} = 1.5V^{1)}$ |
| 5.6.23 | Upper Gate Driver Output Rise Time | $t_{R,UG}$ | – | 30 | 60 | ns | $C_{L,UG} = 3.3nF$; $V_{UG} = 1V\text{ to }4V$ |
| 5.6.24 | Upper Gate Driver Output Fall Time | $t_{F,UG}$ | – | 20 | 40 | ns | $C_{L,UG} = 3.3nF$; $V_{UG} = 1V\text{ to }4V$ |
| 5.6.25 | Upper Gate Driver Output Voltage | V_{UG} | – | 4.4 | 5.2 | V | $C_{L,UG} = 3.3nF$ |

Gate Driver for lower Switch

| | | | | | | | |
|--------|---|----------------------|------|------|------|---------------|---|
| 5.6.26 | Lower Gate Driver Peak Sourcing Current | $I_{LG,src}$ | – | -380 | – | mA | $V_{LG} = 3.5V^{1)}$ |
| 5.6.27 | Lower Gate Driver Peak Sinking Current | $I_{LG,snk}$ | – | 550 | – | mA | $V_{LG} = 1.5V^{1)}$ |
| 5.6.28 | Lower Gate Driver Output Rise Time | $t_{R,LG}$ | – | 30 | 60 | ns | $C_{L,LG} = 3.3nF$; $V_{LG} = 1V\text{ to }4V$ |
| 5.6.29 | Lower Gate Driver Output Fall Time | $t_{F,LG}$ | – | 20 | 40 | ns | $C_{L,LG} = 3.3nF$; $V_{LG} = 1V\text{ to }4V$ |
| 5.6.30 | Lower Gate Driver Output Voltage | V_{LG} | 5.05 | 5.40 | 5.75 | V | $C_{L,LG} = 3.3nF$; $V_S \geq 7V$ |
| 5.6.31 | Overcurrent limitation | $I_{OC_lim,ref}$ | 89 | 95 | 101 | μA | $V_{COMP} = 3V$ sensehigh-senselow decreasing; monitor max current on sensehigh |
| 5.6.32 | Overcurrent comparator offset voltage | $V_{OCComp, Offset}$ | -15 | – | +15 | mV | $V_{FB} = 1V$; $V_{COMP} = 4V$; sensehigh-senselow increasing |

1) Not subject to production test, specified by design.

6 Module Oscillator

6.1 Description

The oscillator supplies the device with a constant frequency. When the device is not operating in pulse skipping mode, the external MOSFETs are switched on and off with the same constant frequency. Some safety functions are synchronized also to this frequency.

The internal oscillator is used to determine the switching frequency of the buck regulator. The switching frequency can be selected from 100 kHz to 700 kHz with an external resistor connected at pin SYNC/FREQ to GND. To set the switching frequency with an external resistor the following formula can be applied

$$R_{FREQ} = \frac{1}{(149 \times 10^{-12} [\frac{s}{\Omega}]) \times (f_{FREQ} [\frac{1}{s}])} - (2.0 \times 10^3 [\Omega]) [\Omega]$$

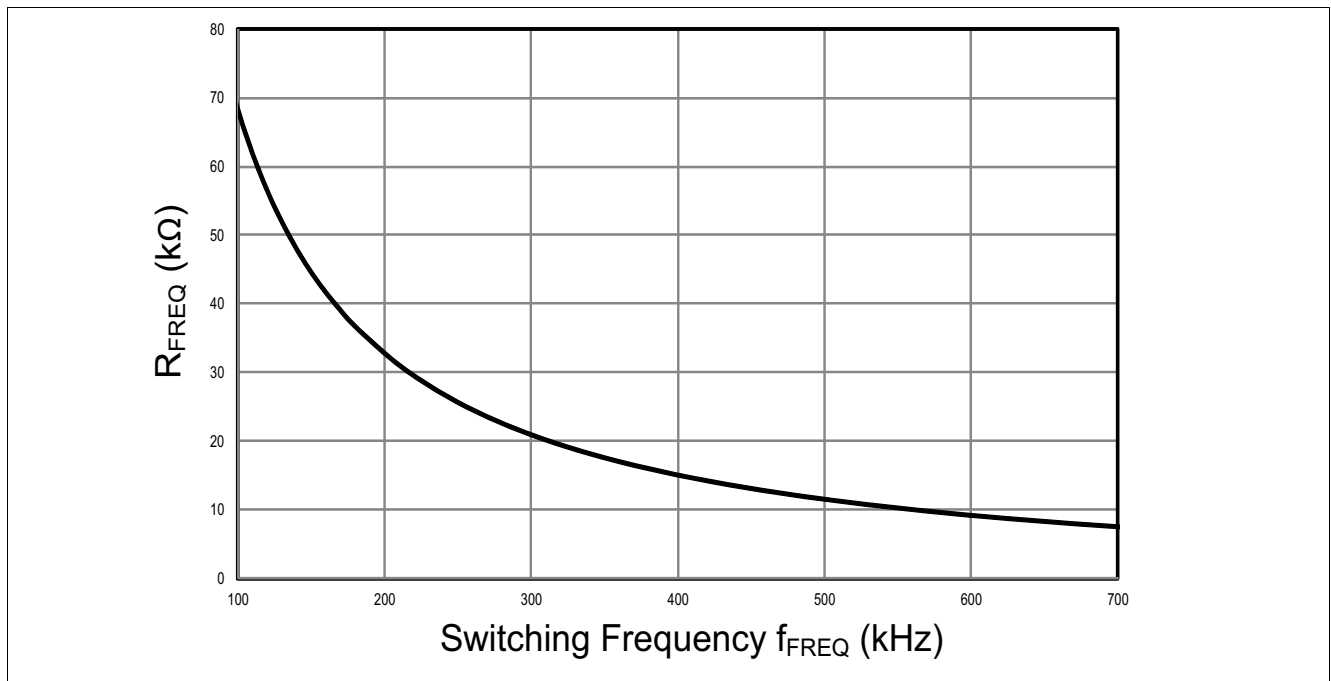


Figure 10 Resistor R_{FREQ} versus Switching Frequency f_{FREQ}

The turn-on frequency can optionally be set externally via the pin SYNC/FREQ. In this case the synchronization of the PWM-on signal refers to the falling edge of the pin SYNC/FREQ input signal.

6.2 Electrical Characteristics Module Oscillator

Electrical Characteristics: Module Oscillator

$V_S = 6.0\text{ V to }40\text{ V}$, $T_j = -40^\circ\text{C to }+125^\circ\text{C}$, all voltages with respect to ground (unless otherwise specified)

| Pos. | Parameter | Symbol | Limit Values | | | Unit | Conditions |
|--------------------|---------------------------------------|-------------------|--------------|------|------|---------------|--|
| | | | Min. | Typ. | Max. | | |
| Oscillator: | | | | | | | |
| 6.2.1 | Oscillator Frequency | f_{FREQ} | 250 | 300 | 350 | kHz | $R_{\text{FREQ}} = 20\text{k}\Omega$ |
| 6.2.2 | Oscillator Frequency Adjustment Range | f_{FREQ} | 100 | – | 700 | kHz | 17% internal tolerance + external resistor tolerance |
| 6.2.3 | FREQ Supply Current | I_{FREQ} | – | – | 800 | μA | $V_{\text{FREQ}} = 0\text{ V}$ |

Synchronization

| | | | | | | | |
|-------|---|---------------------|-----|---|-----|-----|---------------|
| 6.2.4 | Synchronization Frequency Capture Range | f_{SYNC} | 350 | – | 700 | kHz | ¹⁾ |
| 6.2.5 | Synchronization Signal Duty cycle | D_{SYNC} | 20 | – | 80 | % | |
| 6.2.6 | Synchronization Signal High Logic Level Valid | $V_{\text{SYNC,H}}$ | 3.0 | – | – | V | ²⁾ |
| 6.2.7 | Synchronization Signal Low Logic Level Valid | $V_{\text{SYNC,L}}$ | – | – | 0.8 | V | ²⁾ |

1) Synchronization frequency out of the specified range leads to complete malfunction of the device

2) Synchronization of external UG ON signal to falling edge

7 Linear Regulator

7.1 Description

The internal linear voltage regulator supplies the low-side gate driver directly (typical voltage 5.4 V) and through a diode the high-side gate driver. The current capability is up to 50 mA. An external output capacitor with low ESR is required on pin IVCC for stability and buffering transient load currents. During normal operation the gate drivers will draw transient currents from the linear regulator and its output capacitor. Proper sizing of the output capacitor must be considered to supply sufficient peak current to the gate of the external MOSFETs. An integrated power-on reset circuit monitors the linear regulator output voltage and resets the device in case the output voltage falls below the power-on reset threshold. The power-on reset helps protect the external MOSFETs from excessive power dissipation by ensuring the gate drive voltage is sufficient to enhance the gate of an external logic level n-channel MOSFET. For IVCC voltage lower than 5V the proper charging of the bootstrap capacitor is not guaranteed.

The internal linear voltage regulator is implemented to supply the gate drivers, therefore a large voltage ripple may be present on this output due to the pulsed current sunk by internal drivers and bootstrap diode. This output should not be used to supply loads than the internal ones.

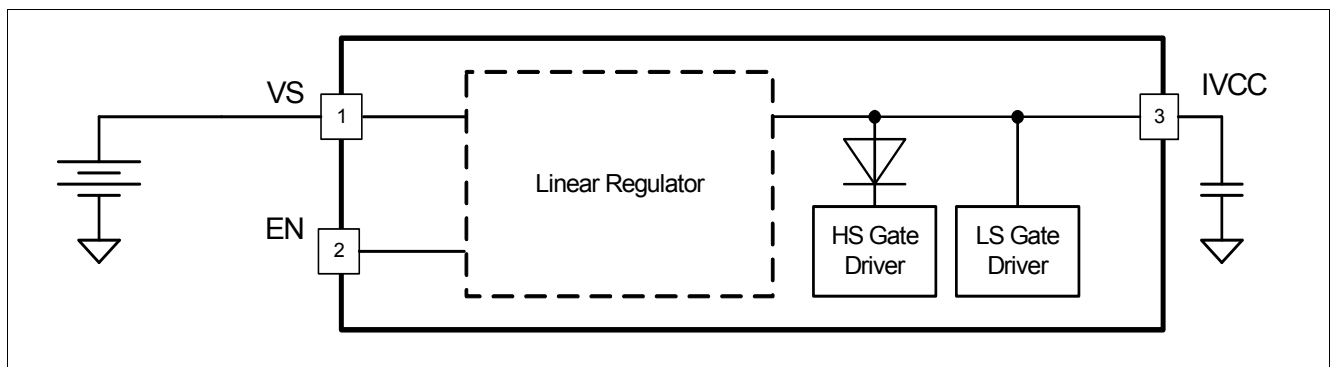


Figure 11 Linear Regulator Block Diagram and Simplified Application Circuit

7.2 Electrical Characteristics

Electrical Characteristics: Linear Regulator

$V_S = 6V$ to $40V$; $T_j = -40^\circ C$ to $+125^\circ C$, all voltages with respect to ground, positive current flowing into pin; (unless otherwise specified)

| Pos. | Parameter | Symbol | Limit Values | | | Unit | Conditions |
|-------|------------------------------|------------------|--------------|------|------|----------|---|
| | | | Min. | Typ. | Max. | | |
| 7.2.1 | Output Voltage | V_{IVCC} | 5.05 | 5.4 | 5.75 | V | $7V \leq V_S \leq 40V$; $0.1mA \leq I_{IVCC} \leq 50mA$ |
| 7.2.2 | Output Current Limitation | I_{LIM} | 51 | | 110 | mA | $V_S = 13.5V$; $V_{IVCC} = 5.1V$ |
| 7.2.3 | Drop out Voltage | V_{DR} | | | 800 | mV | $I_{IVCC} = 50mA$ ¹⁾ |
| 7.2.4 | Output Capacitor | C_{IVCC} | 0.47 | | 3 | μF | ²⁾ |
| 7.2.5 | Output Capacitor ESR | $R_{IVCC,ESR}$ | | | 0.5 | Ω | $f = 10kHz$ |
| 7.2.6 | Undervoltage Reset Headroom | $V_{IVCC,HDRM}$ | 100 | – | – | mV | V_{IVCC} decreasing; $V_{IVCC} - V_{IVCC,RTH,d}$ |
| 7.2.7 | Undervoltage Reset Threshold | $V_{IVCC,RTH,d}$ | 4.0 | – | – | V | V_{IVCC} decreasing |
| 7.2.8 | Undervoltage Reset Threshold | $V_{IVCC,RTH,i}$ | – | – | 4.5 | V | V_{IVCC} increasing |

1) Measured when the output voltage V_{IVCC} has dropped 100 mV from its nominal value.

2) Minimum value given is needed for regulator stability; application might need higher capacitance than the minimum.

8 Module Enable and Thermal Shutdown

8.1 Description

With the enable pin the device can be set in off-state reducing the current consumption to less than 2µA.

The enable function features an integrated pull down resistor which ensures that the IC is shut down and the external MOSFETs are off in case the pin EN is left open.

The integrated thermal shutdown function turns the external MOSFETs off in case of overtemperature. The typical junction shutdown temperature is 175°C, with a minimum of 160°C. After cooling down, the IC will automatically restart with soft start. The thermal shutdown is an integrated protection function designed to prevent IC destruction when operating under fault conditions.

8.2 Electrical Characteristics Module Enable, Bias and Thermal Shutdown

Electrical Characteristics: Enable, Bias and Thermal Shutdown

$V_S = 6.0\text{ V to }40\text{ V}$, $T_j = -40^\circ\text{C to }+125^\circ\text{C}$, all voltages with respect to ground (unless otherwise specified)

| Pos. | Parameter | Symbol | Limit Values | | | Unit | Conditions |
|-------|--------------------------------------|------------------|--------------|------|------|------|---|
| | | | Min. | Typ. | Max. | | |
| 8.2.1 | Current Consumption, shut down mode | $I_{q,OFF}$ | – | 0.1 | 2 | µA | $V_{EN} = 0.8\text{V}$; $T_j < 105^\circ\text{C}$; $V_S = 16\text{V}$ |
| 8.2.2 | Current Consumption, active mode | $I_{q,ON}$ | – | 3 | 10 | mA | $V_{EN} = 5.0\text{V}$; $I_{IVCC} = 0\text{mA}$; $V_S = 16\text{V}$ |
| 8.2.3 | Enable high signal valid | $V_{EN,lo}$ | 3.0 | – | – | V | – |
| 8.2.4 | Enable low signal valid | $V_{EN,hi}$ | – | – | 0.8 | V | – |
| 8.2.5 | Enable hysteresis | $V_{EN,HY}$ | 200 | 300 | 400 | mV | |
| 8.2.6 | Enable high input current | $I_{EN,hi}$ | – | – | 30 | µA | $V_{EN} = 16\text{V}$ |
| 8.2.7 | Enable low input current | $I_{EN,lo}$ | – | 0.1 | 1 | µA | $V_{EN} = 0.5\text{V}$ |
| 8.2.8 | Over temperature shutdown | $T_{j,sd}$ | 160 | 175 | 190 | °C | ¹⁾ |
| 8.2.9 | Over temperature shutdown hysteresis | T_{j,sd_hyst} | – | 15 | – | K | ¹⁾ |

1) Not subject to production test, specified by design.

9 Application Information

Note: The following information is given as a hint for the implementation of the device only and shall not be regarded as a description or warranty of a certain functionality, condition or quality of the device.

9.1 Application Diagram

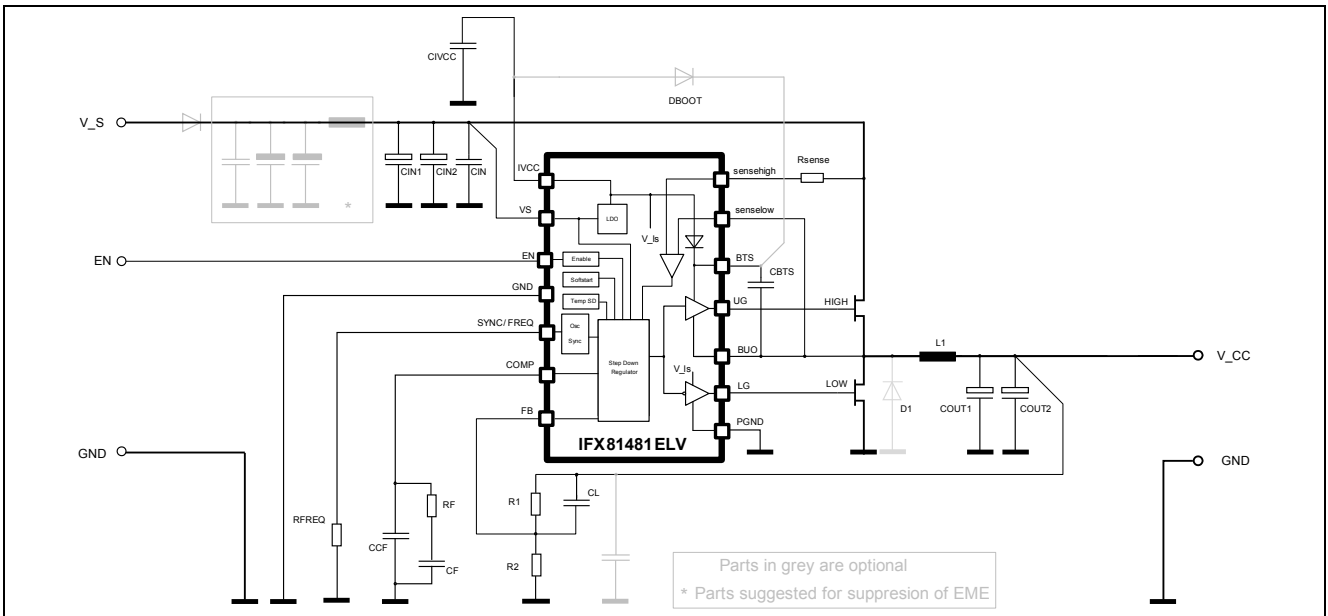


Figure 12 Application Diagram (Current limitation with Rdson-configuration)

Note: This is a very simplified example of an application circuit. The function must be verified in the real application

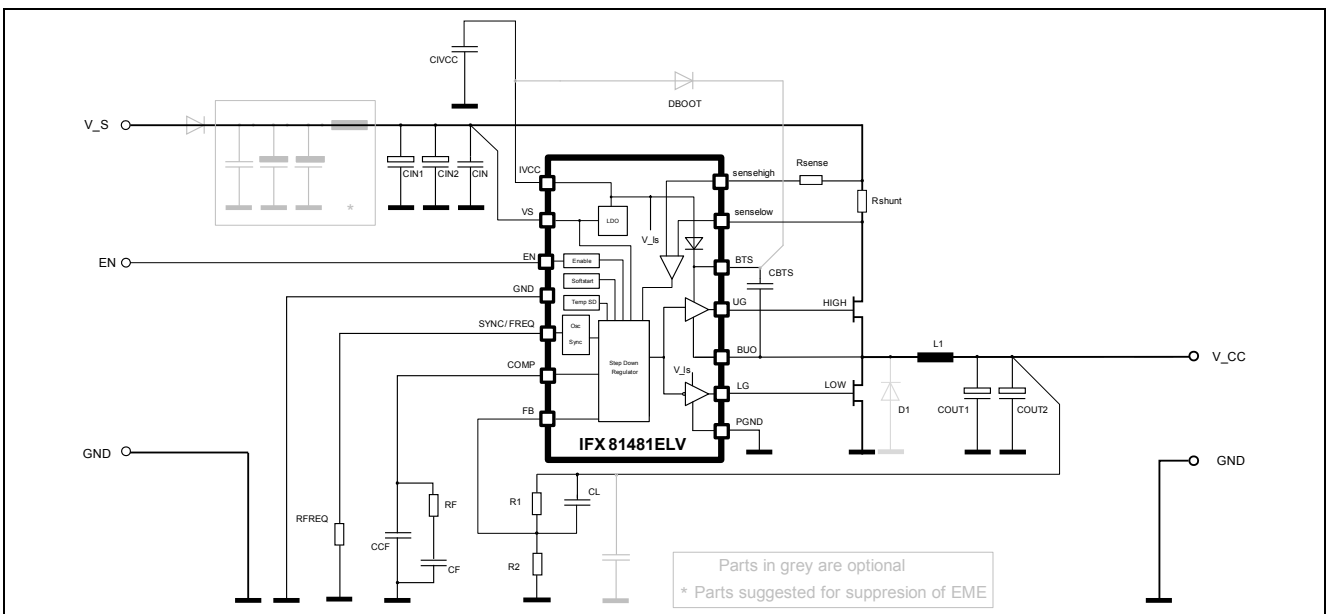


Figure 13 Application Diagram (Current limitation with Shunt-configuration)

Note: This is a very simplified example of an application circuit. The function must be verified in the real application

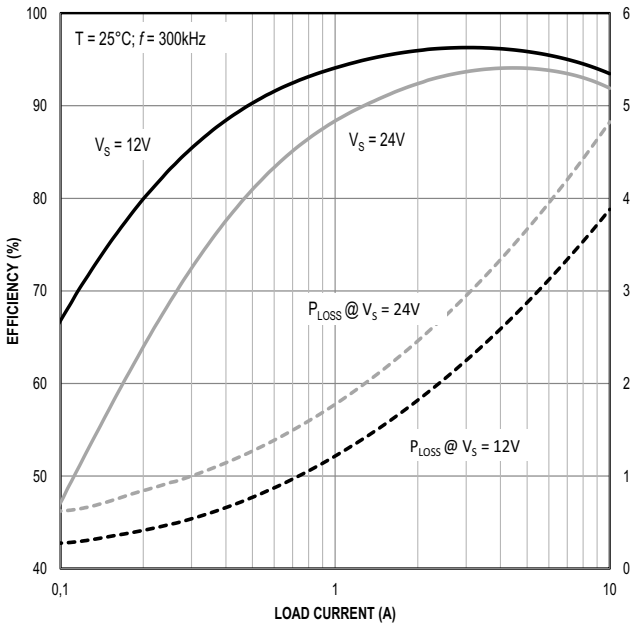
| Ref | Value | Manufacturer | Part number | Type | Qty |
|---------------------------------------|-------------------|--------------|------------------|--------------------------|-----|
| L ₁ | 5.6μH | Coilcraft | MSS1278T-562ML_ | Inductor | 1 |
| LOW, HIGH | N-ch, 60 V, 12 mΩ | Infineon | IPD50N06S4L-12 | Transistor | 2 |
| C _{OUT1} , C _{OUT2} | 100μF - 10mΩ ESR | Rubycon | 6SW100M | Capacitor, Poly Al, 6.3V | 2 |
| C _{IN2} | 22μF | Kemet | C2220C226M5R2CTU | Capacitor, X7R, 50V | 1 |
| C _{IN1} | 470μF | Panasonic | EEEFK1H471AM | Capacitor, Al, 50V | 1 |
| R _{FREQ} | 20kΩ | Panasonic | ERJ3EKF2002V | Resistor, ±1%, 0.1W | 1 |
| R ₁ | 100kΩ | Panasonic | ERJ3EKF1003V | Resistor, ±1%, 0.1W | 1 |
| R ₂ | 27.3kΩ | Panasonic | ERJ3EKF2742V | Resistor, ±1%, 0.1W | 1 |
| R _F | 6.65kΩ | Panasonic | ERJ3EKF6651V | Resistor, ±1%, 0.1W | 1 |
| R _{sense} | 1.1kΩ | Panasonic | ERJ3EKF1101V | Resistor, ±1%, 0.1W | 1 |
| R _{shunt} | 10mΩ | Vishay Dale | WSL3637R0100FEB | Resistor, ±1%, 3W | 1 |
| C _{CF} | 12pF | Kemet | C0603C120J5GACTU | Capacitor, COG | 1 |
| C _L | 120pF | Kemet | C0603C121J5GACTU | Capacitor, COG | 1 |
| C _F | 15nF | Kemet | C0603C153K5RACTU | Capacitor, X7R, 50V | 1 |
| C _{IVCC} | 1μF | Kemet | C1206C105K4RACTU | Capacitor, X7R, 16V | 1 |
| C _{IN} | 1μF | Kemet | C1206C105K5RACTU | Capacitor, X7R, 50V | 1 |
| C _{BTS} | 270nF | Kemet | C1206C274K5RACTU | Capacitor, X7R, 50V | 1 |

Figure 14 Bill of Material for Application Diagram

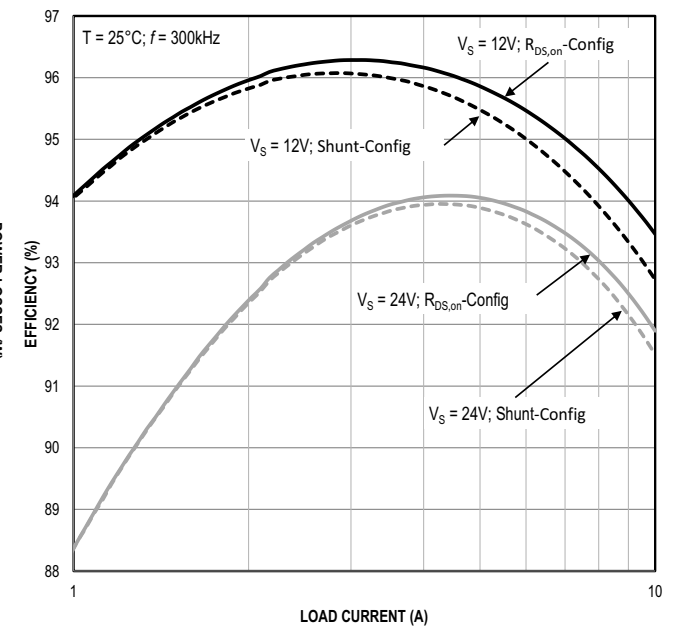
10 Performance Graphs

Typical Performance Characteristics

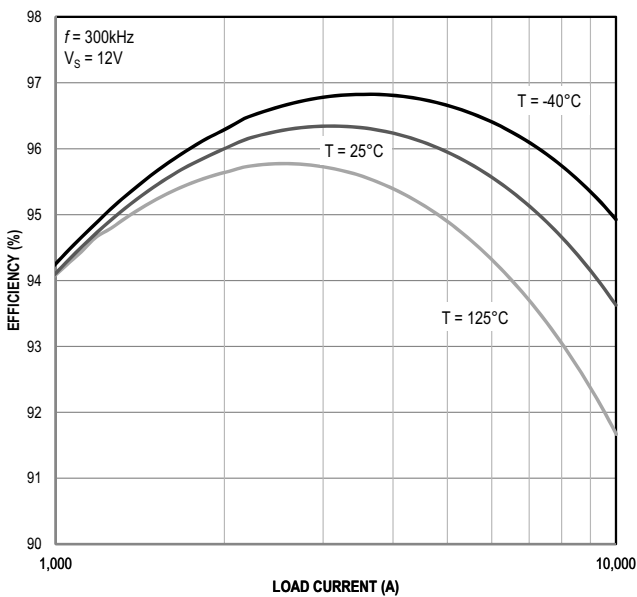
Efficiency and Power Losses versus Load Current



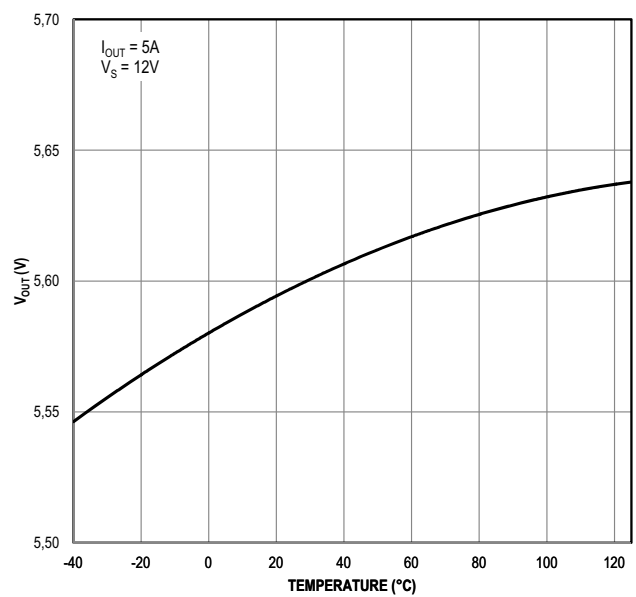
Efficiency versus Load Current



Efficiency versus Load Current

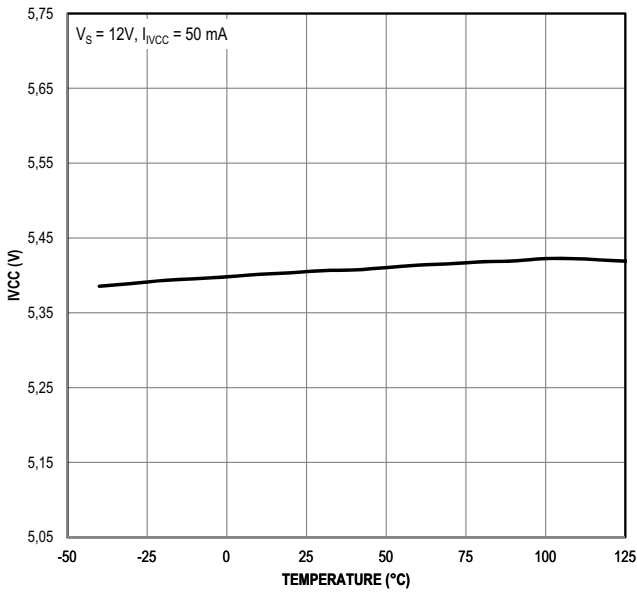


V_{CC} versus Temperature

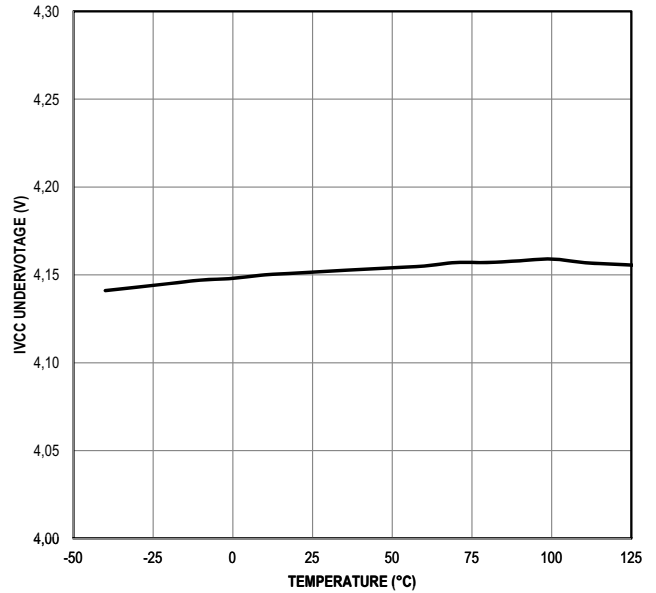


Typical Performance Characteristics

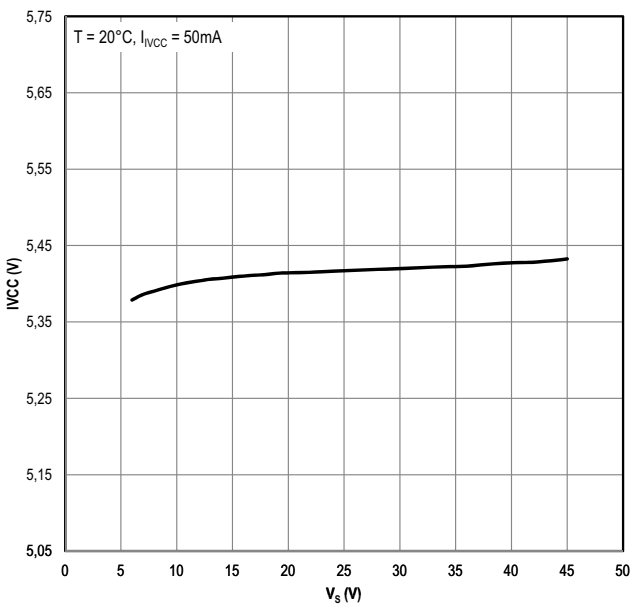
IVCC versus Temperature



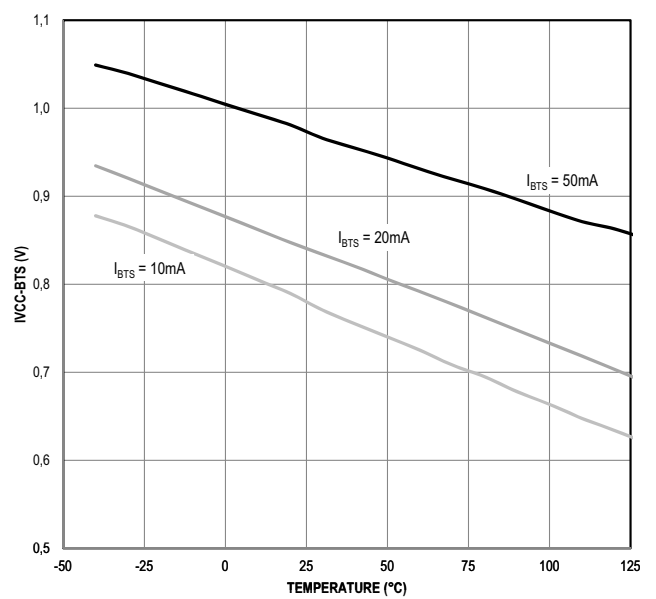
IVCC Undervoltage versus Temperature



IVCC versus VS

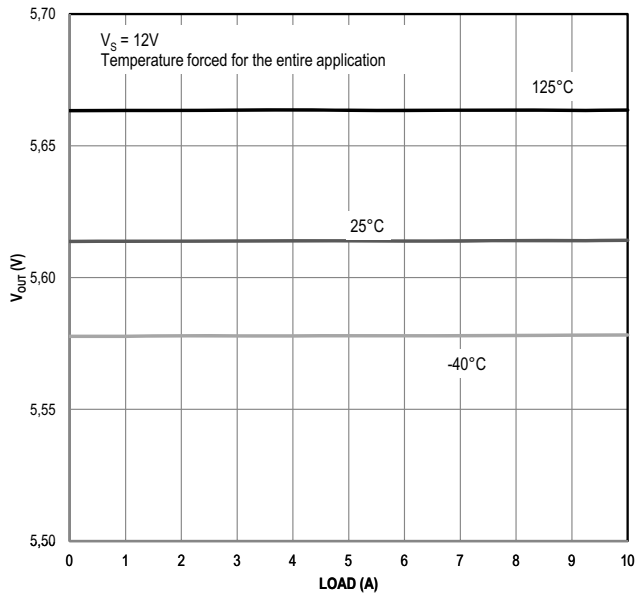


Bootstrap Diode drop versus Temperature

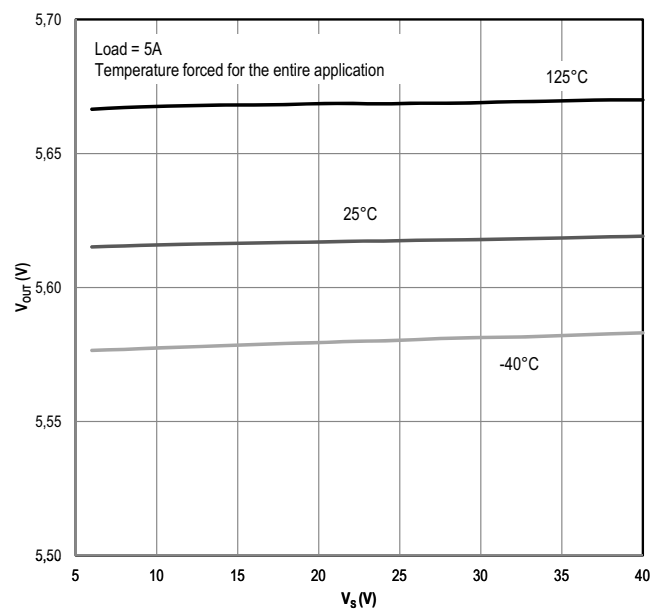


Typical Performance Characteristics

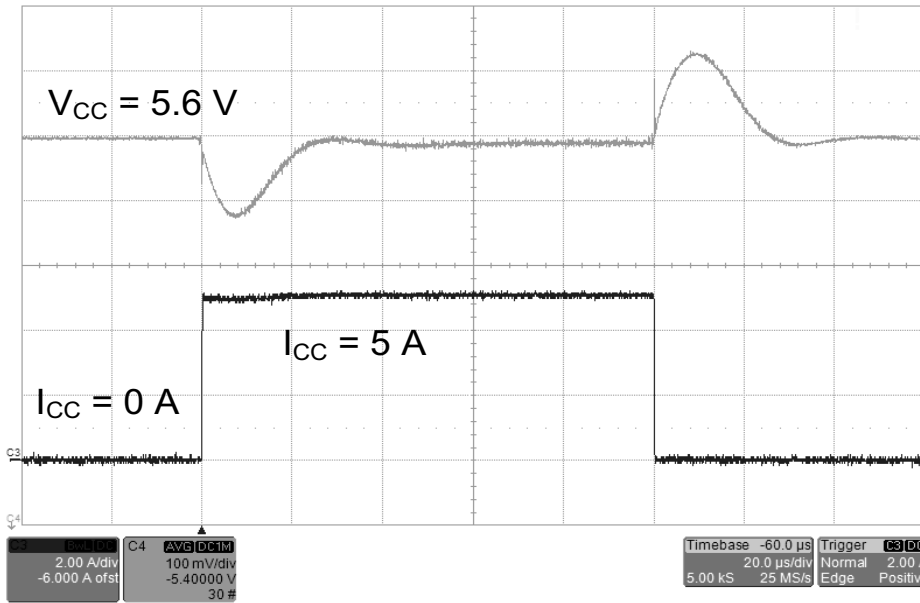
Load Regulation
 $V_S = 12\text{ V}$



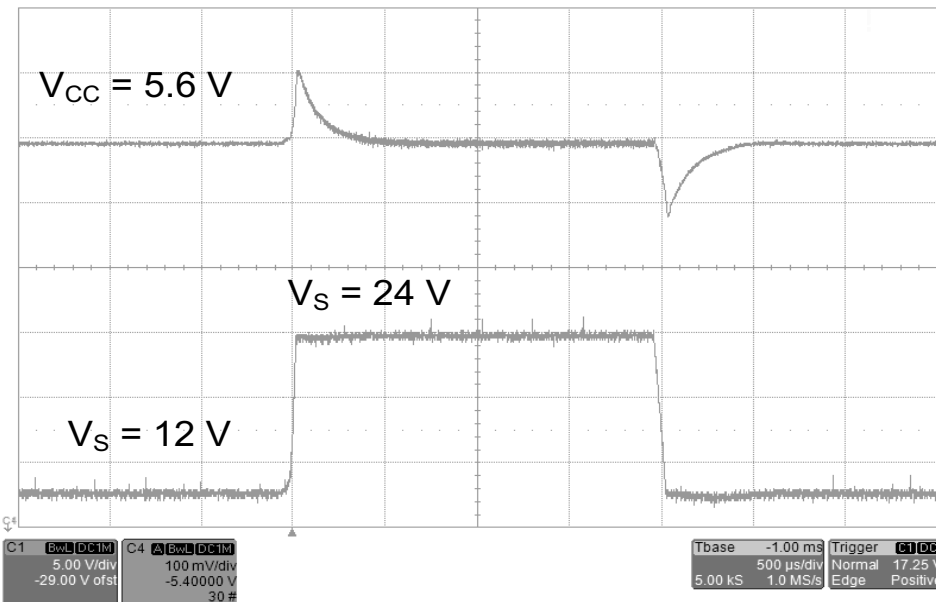
Line Regulation
 $I_{CC} = 5\text{ A}$



Load Step
 $V_S = 12\text{ V}$



Line Step
 $I_{CC} = 5\text{ A}$



11 Package Outlines

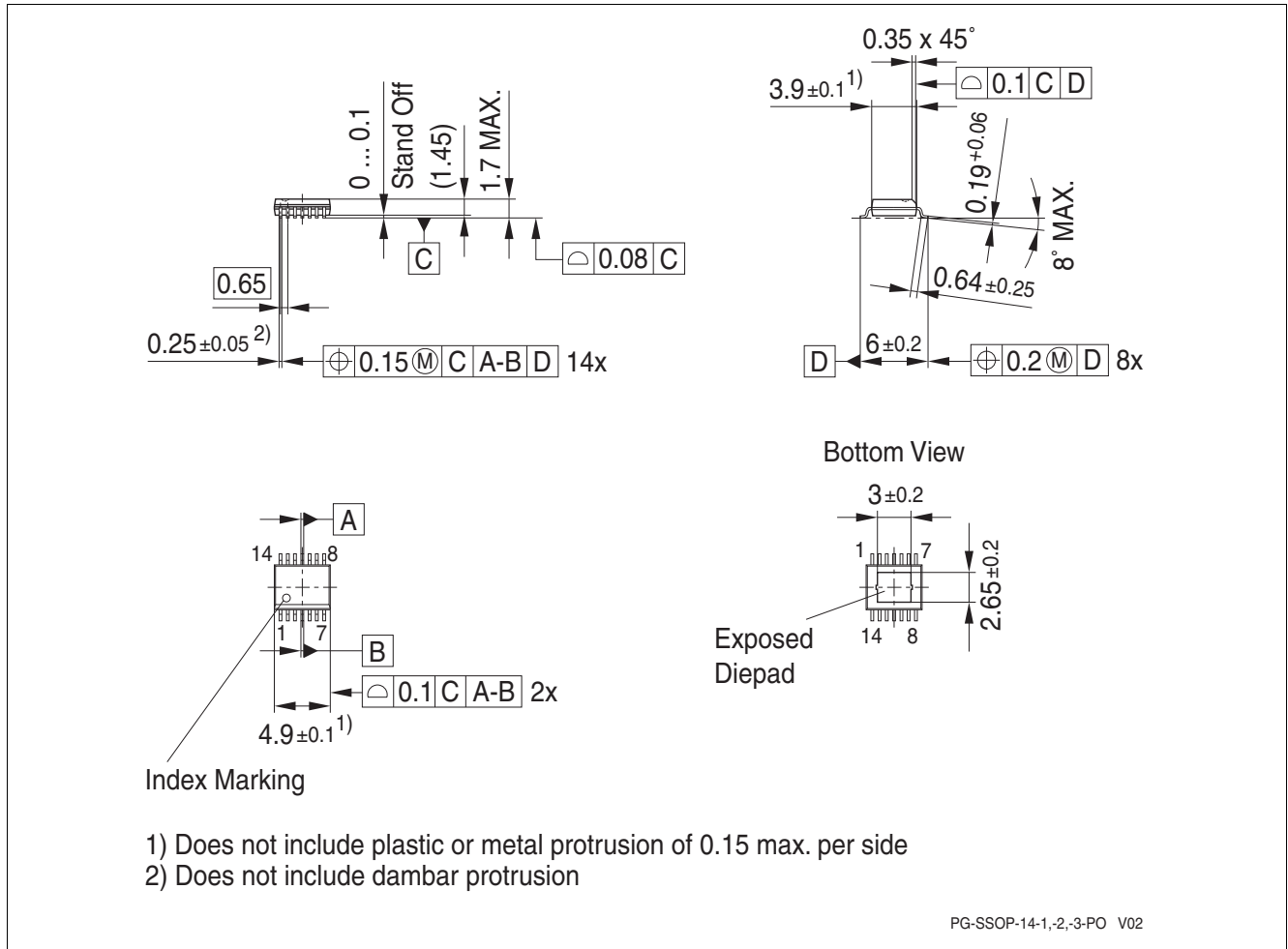


Figure 15 Package Drawing

Green Product (RoHS compliant)

To meet the world-wide customer requirements for environmentally friendly products and to be compliant with government regulations the device is available as a green product. Green products are RoHS-Compliant (i.e Pb-free finish on leads and suitable for Pb-free soldering according to IPC/JEDEC J-STD-020).

For further package information, please visit our website:
<http://www.infineon.com/packages>.

Dimensions in mm

12 Revision History

| Version | Date | Changes |
|---------|------------|------------------------------|
| Rev 1.0 | 2013-09-02 | Data Sheet - Initial Release |

Edition 2013-09-02

**Published by
Infineon Technologies AG
81726 Munich, Germany**

**© 2013 Infineon Technologies AG
All Rights Reserved.**

Legal Disclaimer

The information given in this document shall in no event be regarded as a guarantee of conditions or characteristics. With respect to any examples or hints given herein, any typical values stated herein and/or any information regarding the application of the device, Infineon Technologies hereby disclaims any and all warranties and liabilities of any kind, including without limitation, warranties of non-infringement of intellectual property rights of any third party.

Information

For further information on technology, delivery terms and conditions and prices, please contact the nearest Infineon Technologies Office (www.infineon.com).

Warnings

Due to technical requirements, components may contain dangerous substances. For information on the types in question, please contact the nearest Infineon Technologies Office.

The Infineon Technologies component described in this Data Sheet may be used in life-support devices or systems and/or automotive, aviation and aerospace applications or systems only with the express written approval of Infineon Technologies, if a failure of such components can reasonably be expected to cause the failure of that life-support automotive, aviation and aerospace device or system or to affect the safety or effectiveness of that device or system. Life support devices or systems are intended to be implanted in the human body or to support and/or maintain and sustain and/or protect human life. If they fail, it is reasonable to assume that the health of the user or other persons may be endangered.

Mouser Electronics

Authorized Distributor

Click to View Pricing, Inventory, Delivery & Lifecycle Information:

[Infineon:](#)

[IFX81481ELVXUMA1](#) [IFX81481ELV](#)

Компания «Океан Электроники» предлагает заключение долгосрочных отношений при поставках импортных электронных компонентов на взаимовыгодных условиях!

Наши преимущества:

- Поставка оригинальных импортных электронных компонентов напрямую с производств Америки, Европы и Азии, а так же с крупнейших складов мира;
- Широкая линейка поставок активных и пассивных импортных электронных компонентов (более 30 млн. наименований);
- Поставка сложных, дефицитных, либо снятых с производства позиций;
- Оперативные сроки поставки под заказ (от 5 рабочих дней);
- Экспресс доставка в любую точку России;
- Помощь Конструкторского Отдела и консультации квалифицированных инженеров;
- Техническая поддержка проекта, помощь в подборе аналогов, поставка прототипов;
- Поставка электронных компонентов под контролем ВП;
- Система менеджмента качества сертифицирована по Международному стандарту ISO 9001;
- При необходимости вся продукция военного и аэрокосмического назначения проходит испытания и сертификацию в лаборатории (по согласованию с заказчиком);
- Поставка специализированных компонентов военного и аэрокосмического уровня качества (Xilinx, Altera, Analog Devices, Intersil, Interpoint, Microsemi, Actel, Aeroflex, Peregrine, VPT, Syfer, Eurofarad, Texas Instruments, MS Kennedy, Miteq, Cobham, E2V, MA-COM, Hittite, Mini-Circuits, General Dynamics и др.);

Компания «Океан Электроники» является официальным дистрибьютором и эксклюзивным представителем в России одного из крупнейших производителей разъемов военного и аэрокосмического назначения «JONHON», а так же официальным дистрибьютором и эксклюзивным представителем в России производителя высокотехнологичных и надежных решений для передачи СВЧ сигналов «FORSTAR».



JONHON

«JONHON» (основан в 1970 г.)

Разъемы специального, военного и аэрокосмического назначения:

(Применяются в военной, авиационной, аэрокосмической, морской, железнодорожной, горно- и нефтедобывающей отраслях промышленности)

«FORSTAR» (основан в 1998 г.)

ВЧ соединители, коаксиальные кабели, кабельные сборки и микроволновые компоненты:

(Применяются в телекоммуникациях гражданского и специального назначения, в средствах связи, РЛС, а так же военной, авиационной и аэрокосмической отраслях промышленности).



Телефон: 8 (812) 309-75-97 (многоканальный)

Факс: 8 (812) 320-03-32

Электронная почта: ocean@oceanchips.ru

Web: <http://oceanchips.ru/>

Адрес: 198099, г. Санкт-Петербург, ул. Калинина, д. 2, корп. 4, лит. А