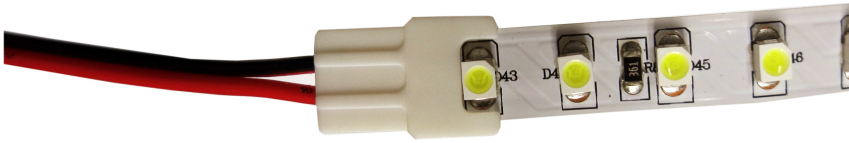
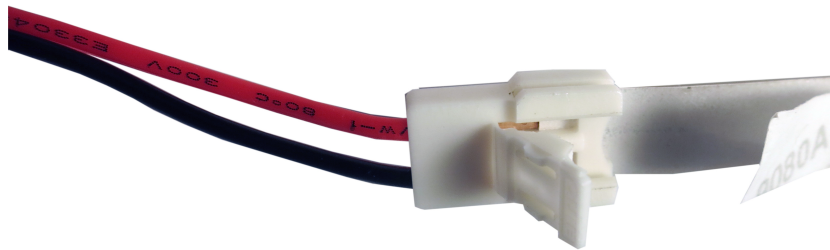
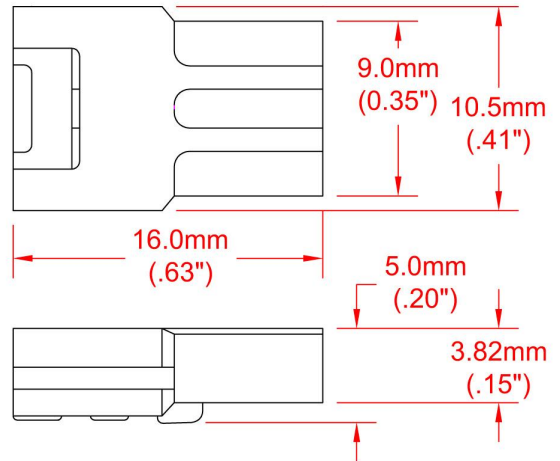


# LED FLEX RIBBON INPUT CONNECTOR



## FEATURES:

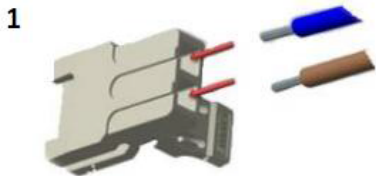
- For use with 8mm wide flex ribbon
- No soldering required
- Notched design prevents interference with first/last LEDs.
- Suitable for use with high density LED flex ribbon.
- Low profile design fits into most aluminum channels or extrusions



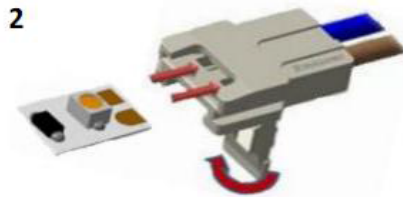
BACK VIEW SHOWING OPEN CONNECTOR LATCH

## USER GUIDELINES:

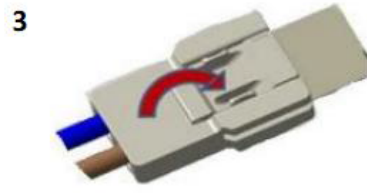
- Wire Requirements: 20-22 AWG wire, 5mm stripped and tinned.
- Peel back a small section of protective paper to insert LED flex ribbon into the connector cavity.
- 5 Amp maximum current.



**1** - Insert stripped & tinned wires (20-22 AWG) into cavities. Be sure to push in as far as possible. Gently pull back on wires to ensure that wires are locked into place.



**2** - Insert LED flex ribbon, paying attention to ensure same polarity with wires. Notice that the LED should be aligned with the notched area of the connector and connector latch is on the bottom.



**3** - Latch the connector door until a "click" is heard.

JKL PART NO.: ZFS-CHXB-8

<p>THIRD ANGLE PROJECTION</p>			<p>METRIC</p> <p>DIMENSIONS ARE IN mm (INCHES)</p> <p>TOLERANCE UNLESS OTHERWISE SPECIFIED</p> <p>1 PL +/- REF.</p> <p>2 PL +/- REF.</p> <p>ANGLE +/-</p>		<p><b>JKL</b> COMPONENTS CORPORATION</p>							
<p>DRAWN BY L. WENGSTROM</p>			<p>APPVD BY S.C.</p>		<p>DATE 3/30/15</p>		<p>SIZE <b>A</b></p>		<p>FSCM NO. <b>55335</b></p>		<p>DRAWING NO. <b>ZFS-CHXB-8</b></p>	
<p>RELEASE 3/30/15</p>			<p>APPVD</p>		<p>SCALE NONE</p>		<p>RELEASED DATE 3/30/15</p>		<p>REVISION DATE</p>		<p>REV. NO.</p>	
<p>DESCRIPTION/ECO</p>			<p>APPVD</p>		<p>- CAD DRAWING -</p> <p>MANUAL REVISIONS NOT PERMITTED</p>		<p>SCALE NONE</p>		<p>RELEASED DATE 3/30/15</p>		<p>REV. NO.</p>	
<p>REV. NO.</p>			<p>APPVD</p>		<p>SCALE NONE</p>		<p>RELEASED DATE 3/30/15</p>		<p>REVISION DATE</p>		<p>REV. NO.</p>	
<p>DESCRIPTION/ECO</p>			<p>APPVD</p>		<p>SCALE NONE</p>		<p>RELEASED DATE 3/30/15</p>		<p>REVISION DATE</p>		<p>REV. NO.</p>	
<p>DESCRIPTION/ECO</p>			<p>APPVD</p>		<p>SCALE NONE</p>		<p>RELEASED DATE 3/30/15</p>		<p>REVISION DATE</p>		<p>REV. NO.</p>	
<p>DESCRIPTION/ECO</p>			<p>APPVD</p>		<p>SCALE NONE</p>		<p>RELEASED DATE 3/30/15</p>		<p>REVISION DATE</p>		<p>REV. NO.</p>	
<p>DESCRIPTION/ECO</p>			<p>APPVD</p>		<p>SCALE NONE</p>		<p>RELEASED DATE 3/30/15</p>		<p>REVISION DATE</p>		<p>REV. NO.</p>	
<p>DESCRIPTION/ECO</p>			<p>APPVD</p>		<p>SCALE NONE</p>		<p>RELEASED DATE 3/30/15</p>		<p>REVISION DATE</p>		<p>REV. NO.</p>	
<p>DESCRIPTION/ECO</p>			<p>APPVD</p>		<p>SCALE NONE</p>		<p>RELEASED DATE 3/30/15</p>		<p>REVISION DATE</p>		<p>REV. NO.</p>	
<p>DESCRIPTION/ECO</p>			<p>APPVD</p>		<p>SCALE NONE</p>		<p>RELEASED DATE 3/30/15</p>		<p>REVISION DATE</p>		<p>REV. NO.</p>	
<p>DESCRIPTION/ECO</p>			<p>APPVD</p>		<p>SCALE NONE</p>		<p>RELEASED DATE 3/30/15</p>		<p>REVISION DATE</p>		<p>REV. NO.</p>	
<p>DESCRIPTION/ECO</p>			<p>APPVD</p>		<p>SCALE NONE</p>		<p>RELEASED DATE 3/30/15</p>		<p>REVISION DATE</p>		<p>REV. NO.</p>	
<p>DESCRIPTION/ECO</p>			<p>APPVD</p>		<p>SCALE NONE</p>		<p>RELEASED DATE 3/30/15</p>		<p>REVISION DATE</p>		<p>REV. NO.</p>	
<p>DESCRIPTION/ECO</p>			<p>APPVD</p>		<p>SCALE NONE</p>		<p>RELEASED DATE 3/30/15</p>		<p>REVISION DATE</p>		<p>REV. NO.</p>	
<p>DESCRIPTION/ECO</p>			<p>APPVD</p>		<p>SCALE NONE</p>		<p>RELEASED DATE 3/30/15</p>		<p>REVISION DATE</p>		<p>REV. NO.</p>	
<p>DESCRIPTION/ECO</p>			<p>APPVD</p>		<p>SCALE NONE</p>		<p>RELEASED DATE 3/30/15</p>		<p>REVISION DATE</p>		<p>REV. NO.</p>	
<p>DESCRIPTION/ECO</p>			<p>APPVD</p>		<p>SCALE NONE</p>		<p>RELEASED DATE 3/30/15</p>		<p>REVISION DATE</p>		<p>REV. NO.</p>	
<p>DESCRIPTION/ECO</p>			<p>APPVD</p>		<p>SCALE NONE</p>		<p>RELEASED DATE 3/30/15</p>		<p>REVISION DATE</p>		<p>REV. NO.</p>	
<p>DESCRIPTION/ECO</p>			<p>APPVD</p>		<p>SCALE NONE</p>		<p>RELEASED DATE 3/30/15</p>		<p>REVISION DATE</p>		<p>REV. NO.</p>	
<p>DESCRIPTION/ECO</p>			<p>APPVD</p>		<p>SCALE NONE</p>		<p>RELEASED DATE 3/30/15</p>		<p>REVISION DATE</p>		<p>REV. NO.</p>	
<p>DESCRIPTION/ECO</p>			<p>APPVD</p>		<p>SCALE NONE</p>		<p>RELEASED DATE 3/30/15</p>		<p>REVISION DATE</p>		<p>REV. NO.</p>	
<p>DESCRIPTION/ECO</p>			<p>APPVD</p>		<p>SCALE NONE</p>		<p>RELEASED DATE 3/30/15</p>		<p>REVISION DATE</p>		<p>REV. NO.</p>	
<p>DESCRIPTION/ECO</p>			<p>APPVD</p>		<p>SCALE NONE</p>		<p>RELEASED DATE 3/30/15</p>		<p>REVISION DATE</p>		<p>REV. NO.</p>	
<p>DESCRIPTION/ECO</p>			<p>APPVD</p>		<p>SCALE NONE</p>		<p>RELEASED DATE 3/30/15</p>		<p>REVISION DATE</p>		<p>REV. NO.</p>	
<p>DESCRIPTION/ECO</p>			<p>APPVD</p>		<p>SCALE NONE</p>		<p>RELEASED DATE 3/30/15</p>		<p>REVISION DATE</p>		<p>REV. NO.</p>	
<p>DESCRIPTION/ECO</p>			<p>APPVD</p>		<p>SCALE NONE</p>		<p>RELEASED DATE 3/30/15</p>		<p>REVISION DATE</p>		<p>REV. NO.</p>	
<p>DESCRIPTION/ECO</p>			<p>APPVD</p>		<p>SCALE NONE</p>		<p>RELEASED DATE 3/30/15</p>		<p>REVISION DATE</p>		<p>REV. NO.</p>	
<p>DESCRIPTION/ECO</p>			<p>APPVD</p>		<p>SCALE NONE</p>		<p>RELEASED DATE 3/30/15</p>		<p>REVISION DATE</p>		<p>REV. NO.</p>	
<p>DESCRIPTION/ECO</p>			<p>APPVD</p>		<p>SCALE NONE</p>		<p>RELEASED DATE 3/30/15</p>		<p>REVISION DATE</p>		<p>REV. NO.</p>	
<p>DESCRIPTION/ECO</p>			<p>APPVD</p>		<p>SCALE NONE</p>		<p>RELEASED DATE 3/30/15</p>		<p>REVISION DATE</p>		<p>REV. NO.</p>	
<p>DESCRIPTION/ECO</p>			<p>APPVD</p>		<p>SCALE NONE</p>		<p>RELEASED DATE 3/30/15</p>		<p>REVISION DATE</p>		<p>REV. NO.</p>	
<p>DESCRIPTION/ECO</p>			<p>APPVD</p>		<p>SCALE NONE</p>		<p>RELEASED DATE 3/30/15</p>		<p>REVISION DATE</p>		<p>REV. NO.</p>	
<p>DESCRIPTION/ECO</p>			<p>APPVD</p>		<p>SCALE NONE</p>		<p>RELEASED DATE 3/30/15</p>		<p>REVISION DATE</p>		<p>REV. NO.</p>	
<p>DESCRIPTION/ECO</p>			<p>APPVD</p>		<p>SCALE NONE</p>		<p>RELEASED DATE 3/30/15</p>		<p>REVISION DATE</p>		<p>REV. NO.</p>	
<p>DESCRIPTION/ECO</p>			<p>APPVD</p>		<p>SCALE NONE</p>		<p>RELEASED DATE 3/30/15</p>		<p>REVISION DATE</p>		<p>REV. NO.</p>	
<p>DESCRIPTION/ECO</p>			<p>APPVD</p>		<p>SCALE NONE</p>		<p>RELEASED DATE 3/30/15</p>		<p>REVISION DATE</p>		<p>REV. NO.</p>	
<p>DESCRIPTION/ECO</p>			<p>APPVD</p>		<p>SCALE NONE</p>		<p>RELEASED DATE 3/30/15</p>		<p>REVISION DATE</p>		<p>REV. NO.</p>	
<p>DESCRIPTION/ECO</p>			<p>APPVD</p>		<p>SCALE NONE</p>		<p>RELEASED DATE 3/30/15</p>		<p>REVISION DATE</p>		<p>REV. NO.</p>	
<p>DESCRIPTION/ECO</p>			<p>APPVD</p>		<p>SCALE NONE</p>		<p>RELEASED DATE 3/30/15</p>		<p>REVISION DATE</p>		<p>REV. NO.</p>	
<p>DESCRIPTION/ECO</p>			<p>APPVD</p>		<p>SCALE NONE</p>		<p>RELEASED DATE 3/30/15</p>		<p>REVISION DATE</p>		<p>REV. NO.</p>	
<p>DESCRIPTION/ECO</p>			<p>APPVD</p>		<p>SCALE NONE</p>		<p>RELEASED DATE 3/30/15</p>		<p>REVISION DATE</p>		<p>REV. NO.</p>	
<p>DESCRIPTION/ECO</p>			<p>APPVD</p>		<p>SCALE NONE</p>		<p>RELEASED DATE 3/30/15</p>		<p>REVISION DATE</p>		<p>REV. NO.</p>	
<p>DESCRIPTION/ECO</p>			<p>APPVD</p>		<p>SCALE NONE</p>		<p>RELEASED DATE 3/30/15</p>		<p>REVISION DATE</p>		<p>REV. NO.</p>	
<p>DESCRIPTION/ECO</p>			<p>APPVD</p>		<p>SCALE NONE</p>		<p>RELEASED DATE 3/30/15</p>		<p>REVISION DATE</p>		<p>REV. NO.</p>	
<p>DESCRIPTION/ECO</p>			<p>APPVD</p>		<p>SCALE NONE</p>		<p>RELEASED DATE 3/30/15</p>		<p>REVISION DATE</p>		<p>REV. NO.</p>	
<p>DESCRIPTION/ECO</p>			<p>APPVD</p>		<p>SCALE NONE</p>		<p>RELEASED DATE 3/30/15</p>		<p>REVISION DATE</p>		<p>REV. NO.</p>	
<p>DESCRIPTION/ECO</p>			<p>APPVD</p>		<p>SCALE NONE</p>		<p>RELEASED DATE 3/30/15</p>		<p>REVISION DATE</p>		<p>REV. NO.</p>	
<p>DESCRIPTION/ECO</p>			<p>APPVD</p>		<p>SCALE NONE</p>		<p>RELEASED DATE 3/30/15</p>		<p>REVISION DATE</p>		<p>REV. NO.</p>	
<p>DESCRIPTION/ECO</p>			<p>APPVD</p>		<p>SCALE NONE</p>		<p>RELEASED DATE 3/30/15</p>		<p>REVISION DATE</p>		<p>REV. NO.</p>	
<p>DESCRIPTION/ECO</p>			<p>APPVD</p>		<p>SCALE NONE</p>		<p>RELEASED DATE 3/30/15</p>		<p>REVISION DATE</p>		<p>REV. NO.</p>	
<p>DESCRIPTION/ECO</p>			<p>APPVD</p>		<p>SCALE NONE</p>		<p>RELEASED DATE 3/30/15</p>		<p>REVISION DATE</p>		<p>REV. NO.</p>	
<p>DESCRIPTION/ECO</p>			<p>APPVD</p>		<p>SCALE NONE</p>		<p>RELEASED DATE 3/30/15</p>		<p>REVISION DATE</p>		<p>REV. NO.</p>	
<p>DESCRIPTION/ECO</p>			<p>APPVD</p>		<p>SCALE NONE</p>		<p>RELEASED DATE 3/30/15</p>		<p>REVISION DATE</p>		<p>REV. NO.</p>	
<p>DESCRIPTION/ECO</p>			<p>APPVD</p>		<p>SCALE NONE</p>		<p>RELEASED DATE 3/30/15</p>		<p>REVISION DATE</p>		<p>REV. NO.</p>	
<p>DESCRIPTION/ECO</p>			<p>APPVD</p>		<p>SCALE NONE</p>		<p>RELEASED DATE 3/30/15</p>		<p>REVISION DATE</p>		<p>REV. NO.</p>	
<p>DESCRIPTION/ECO</p>			<p>APPVD</p>		<p>SCALE NONE</p>		<p>RELEASED DATE 3/30/15</p>		<p>REVISION DATE</p>		<p>REV. NO.</p>	
<p>DESCRIPTION/ECO</p>			<p>APPVD</p>		<p>SCALE NONE</p>		<p>RELEASED DATE 3/30/15</p>		<p>REVISION DATE</p>		<p>REV. NO.</p>	
<p>DESCRIPTION/ECO</p>			<p>APPVD</p>		<p>SCALE NONE</p>		<p>RELEASED DATE 3/30/15</p>		<p>REVISION DATE</p>		<p>REV. NO.</p>	
<p>DESCRIPTION/ECO</p>			<p>APPVD</p>		<p>SCALE NONE</p>		<p>RELEASED DATE 3/30/15</p>		<p>REVISION DATE</p>		<p>REV. NO.</p>	
<p>DESCRIPTION/ECO</p>			<p>APPVD</p>		<p>SCALE NONE</p>		<p>RELEASED DATE 3/30/15</p>		<p>REVISION DATE</p>		<p>REV. NO.</p>	
<p>DESCRIPTION/ECO</p>			<p>APPVD</p>		<p>SCALE NONE</p>		<p>RELEASED DATE 3/30/15</p>		<p>REVISION DATE</p>		<p>REV. NO.</p>	
<p>DESCRIPTION/ECO</p>			<p>APPVD</p>		<p>SCALE NONE</p>		<p>RELEASED DATE 3/30/15</p>		<p>REVISION DATE</p>		<p>REV. NO.</p>	
<p>DESCRIPTION/ECO</p>			<p>APPVD</p>		<p>SCALE NONE</p>		<p>RELEASED DATE 3/30/15</p>		<p>REVISION DATE</p>		<p>REV. NO.</p>	
<p>DESCRIPTION/ECO</p>			<p>APPVD</p>		<p>SCALE NONE</p>		<p>RELEASED DATE 3/30/15</p>		<p>REVISION DATE</p>		<p>REV. NO.</p>	
<p>DESCRIPTION/ECO</p>			<p>APPVD</p>		<p>SCALE NONE</p>		<p>RELEASED DATE 3/30/15</p>		<p>REVISION DATE</p>		<p>REV. NO.</p>	
<p>DESCRIPTION/ECO</p>			<p>APPVD</p>		<p>SCALE NONE</p>		<p>RELEASED DATE 3/30/15</p>		<p>REVISION DATE</p>		<p>REV. NO.</p>	
<p>DESCRIPTION/ECO</p>			<p>APPVD</p>		<p>SCALE NONE</p>		<p>RELEASED DATE 3/30/15</p>		<p>REVISION DATE</p>		<p>REV. NO.</p>	
<p>DESCRIPTION/ECO</p>			<p>APPVD</p>		<p>SCALE NONE</p>		<p>RELEASED DATE 3/30/15</p>		<p>REVISION DATE</p>		<p>REV. NO.</p>	
<p>DESCRIPTION/ECO</p>			<p>APPVD</p>		<p>SCALE NONE</p>		<p>RELEASED DATE 3/30/15</p>		<p>REVISION DATE</p>		<p>REV. NO.</p>	
<p>DESCRIPTION/ECO</p>			<p>APPVD</p>		<p>SCALE NONE</p>		<p>RELEASED DATE 3/30/15</p>		<p>REVISION DATE</p>		<p>REV. NO.</p>	
<p>DESCRIPTION/ECO</p>			<p>APPVD</p>		<p>SCALE NONE</p>		<p>RELEASED DATE 3/30/15</p>		<p>REVISION DATE</p>		<p>REV. NO.</p>	
<p>DESCRIPTION/ECO</p>			<p>APPVD</p>		<p>SCALE NONE</p>		<p>RELEASED DATE 3/30/15</p>		<p>REVISION DATE</p>		<p>REV. NO.</p>	
<p>DESCRIPTION/ECO</p>			<p>APPVD</p>		<p>SCALE NONE</p>		<p>RELEASED DATE 3/30/15</p>		<p>REVISION DATE</p>		<p>REV. NO.</p>	
<p>DESCRIPTION/ECO</p>			<p>APPVD</p>		<p>SCALE NONE</p>		<p>RELEASED DATE 3/30/15</p>		<p>REVISION DATE</p>		<p>REV. NO.</p>	
<p>DESCRIPTION/ECO</p>			<p>APPVD</p>		<p>SCALE NONE</p>		<p>RELEASED DATE 3/30/15</p>		<p>REVISION DATE</p>		<p>REV. NO.</p>	
<p>DESCRIPTION/ECO</p>			<p>APPVD</p>		<p>SCALE NONE</p>		<p>RELEASED DATE 3/30/15</p>		<p>REVISION DATE</p>		<p>REV. NO.</p>	
<p>DESCRIPTION/ECO</p>			<p>APPVD</p>		<p>SCALE NONE</p>		<p>RELEASED DATE 3/30/15</p>		<p>REVISION DATE</p>		<p>REV. NO.</p>	
<p>DESCRIPTION/ECO</p>			<p>APPVD</p>		<p>SCALE NONE</p>		<p>RELEASED DATE 3/30/15</p>		<p>REVISION DATE</p>		<p>REV. NO.</p>	
<p>DESCRIPTION/ECO</p>			<p>APPVD</p>		<p>SCALE NONE</p>		<p>RELEASED DATE 3/30/15</p>		<p>REVISION DATE</p>		<p>REV. NO.</p>	
<p>DESCRIPTION/ECO</p>			<p>APPVD</p>		<p>SCALE NONE</p>		<p>RELEASED DATE 3/30/15</p>		<p>REVISION DATE</p>		<p>REV. NO.</p>	
<p>DESCRIPTION/ECO</p>			<p>APPVD</p>		<p>SCALE NONE</p>		<p>RELEASED DATE 3/30/15</p>		<p>REVISION DATE</p>		<p>REV. NO.</p>	
<p>DESCRIPTION/ECO</p>			<p>APPVD</p>		<p>SCALE NONE</p>		<p>RELEASED DATE 3/30/15</p>		<p>REVISION DATE</p>		<p>REV. NO.</p>	
<p>DESCRIPTION/ECO</p>			<p>APPVD</p>		<p>SCALE NONE</p>		<p>RELEASED DATE 3/30/15</p>		<p>REVISION DATE</p>		<p>REV. NO.</p>	
<p>DESCRIPTION/ECO</p>			<p>APPVD</p>		<p>SCALE NONE</p>		<p>RELEASED DATE 3/30/15</p>		<p>REVISION DATE</p>		<p>REV. NO.</p>	
<p>DESCRIPTION/ECO</p>			<p>APPVD</p>		<p>SCALE NONE</p>		<p>RELEASED DATE 3/30/15</p>		<p>REVISION DATE</p>		<p>REV. NO.</p>	
<p>DESCRIPTION/ECO</p>			<p>APPVD</p>		<p>SCALE NONE</p>		<p>RELEASED DATE 3/30/15</p>		<p>REVISION DATE</p>		<p>REV. NO.</p>	
<p>DESCRIPTION/ECO</p>												

Компания «Океан Электроники» предлагает заключение долгосрочных отношений при поставках импортных электронных компонентов на взаимовыгодных условиях!

Наши преимущества:

- Поставка оригинальных импортных электронных компонентов напрямую с производств Америки, Европы и Азии, а так же с крупнейших складов мира;
- Широкая линейка поставок активных и пассивных импортных электронных компонентов (более 30 млн. наименований);
- Поставка сложных, дефицитных, либо снятых с производства позиций;
- Оперативные сроки поставки под заказ (от 5 рабочих дней);
- Экспресс доставка в любую точку России;
- Помощь Конструкторского Отдела и консультации квалифицированных инженеров;
- Техническая поддержка проекта, помощь в подборе аналогов, поставка прототипов;
- Поставка электронных компонентов под контролем ВП;
- Система менеджмента качества сертифицирована по Международному стандарту ISO 9001;
- При необходимости вся продукция военного и аэрокосмического назначения проходит испытания и сертификацию в лаборатории (по согласованию с заказчиком);
- Поставка специализированных компонентов военного и аэрокосмического уровня качества (Xilinx, Altera, Analog Devices, Intersil, Interpoint, Microsemi, Actel, Aeroflex, Peregrine, VPT, Syfer, Eurofarad, Texas Instruments, MS Kennedy, Miteq, Cobham, E2V, MA-COM, Hittite, Mini-Circuits, General Dynamics и др.);

Компания «Океан Электроники» является официальным дистрибьютором и эксклюзивным представителем в России одного из крупнейших производителей разъемов военного и аэрокосмического назначения «JONHON», а так же официальным дистрибьютором и эксклюзивным представителем в России производителя высокотехнологичных и надежных решений для передачи СВЧ сигналов «FORSTAR».



## JONHON

«JONHON» (основан в 1970 г.)

Разъемы специального, военного и аэрокосмического назначения:

(Применяются в военной, авиационной, аэрокосмической, морской, железнодорожной, горно- и нефтедобывающей отраслях промышленности)

«FORSTAR» (основан в 1998 г.)

ВЧ соединители, коаксиальные кабели, кабельные сборки и микроволновые компоненты:

(Применяются в телекоммуникациях гражданского и специального назначения, в средствах связи, РЛС, а так же военной, авиационной и аэрокосмической отраслях промышленности).



Телефон: 8 (812) 309-75-97 (многоканальный)

Факс: 8 (812) 320-03-32

Электронная почта: [ocean@oceanchips.ru](mailto:ocean@oceanchips.ru)

Web: <http://oceanchips.ru/>

Адрес: 198099, г. Санкт-Петербург, ул. Калинина, д. 2, корп. 4, лит. А