

## AC Line Rated Ceramic Disc Capacitors Class X1, 440 V<sub>AC</sub>, Class Y2, 300 V<sub>AC</sub>


**ADDITIONAL RESOURCES**


QUICK REFERENCE DATA				
DESCRIPTION	VALUE			
Ceramic Class	1	2		
Ceramic Dielectric	N750	Y5S, Y5U, Y5V		
Voltage (V <sub>AC</sub> )	300	440	300	440
Min. Capacitance (pF)	10	68		
Max. Capacitance (pF)	47	10 000		
Mounting	Radial			

**OPERATING TEMPERATURE RANGE**

-40 °C to +125 °C

**TEMPERATURE CHARACTERISTICS**

Class 1: N750 (U2J)

Class 2: Y5S, Y5U, Y5V

**SECTIONAL SPECIFICATIONS**

Climatic category (according to EN 60058-1)

Class 1 and class 2: 40/125/21

**COATING**

According to UL 94 V-0

Epoxy resin, isolating, flame retardant

**APPROVALS**

IEC 60384-14.4

UL 60384-14

DIN EN 60384-14

CSA E60384-1:03, CSA E60384-14:09

CQC11-471112

**PACKAGING**

Bulk, tape and reel, taped ammpack

**FEATURES**

- Complying with IEC 60384-14 4<sup>th</sup> edition
- High reliability
- Vertical (inline) kinked or straight leads
- Singlelayer AC disc safety capacitors
- Material categorization:  
for definitions of compliance please see [www.vishay.com/doc?99912](http://www.vishay.com/doc?99912)



**RoHS**  
COMPLIANT  
HALOGEN  
**FREE**  
**GREEN**  
(5-2008)

**APPLICATIONS**

- X1, Y2 according to IEC 60384-14.4
- Across-the-line
- Line by-pass
- Antenna coupling

**DESIGN**

The capacitor consists of a ceramic disc which is silver plated on both sides. Connection leads are made of tin plated copper-clad steel having a diameter of 0.6 mm.

The capacitors may be supplied with vertical (inline) kinked leads having a lead spacing of 5.0 mm, 7.5 mm, 10.0 mm, or 12.5 mm. Encapsulation is made of flame retardant epoxy resin in accordance with UL 94 V-0.

**CAPACITANCE RANGE**

10 pF to 0.01 μF

**RATED VOLTAGE U<sub>R</sub>**

IEC 60384-14 and UL 60384-14:

 (X1): 440 V<sub>AC</sub>, 50 Hz

 (Y2): 300 V<sub>AC</sub>, 50 Hz

 1000 V<sub>DC</sub>
**TEST VOLTAGE**

Component test (100 %):

 2600 V<sub>AC</sub>, 50 Hz, 2 s

 (2600 V<sub>AC</sub> for LS 7.5 mm and above)

 (2200 V<sub>AC</sub> for LS 5.0 mm)

Random sampling test (destructive test):

 2600 V<sub>AC</sub>, 50 Hz, 60 s

Voltage proof of coating (destructive test):

 2600 V<sub>AC</sub>, 50 Hz, 60 s

**INSULATION RESISTANCE**

≥ 10 000 MΩ

**CAPACITANCE TOLERANCE**

± 20 % (code M); ± 10 % (code K)

**DISSIPATION FACTOR**

Class 1: max. 0.5 % (1 MHz)

Class 2: max. 2.5 % (1 kHz)

**DIMENSIONS** in millimeters


Capacitors with 5.0 mm, 7.5 mm, 10 mm, or 12.5 mm lead spacing.  
Coating extension  $e$  valid for straight leads only.

**TECHNICAL DATA**

CAPACITANCE C (pF)	CAPACITANCE TOLERANCE (%)	BODY DIAMETER $D_{max.}$ (mm)	BODY THICKNESS $T_{max.}$ (mm)	LEAD SPACING <sup>(1)</sup> F (mm) $\pm 1$ mm	PART NUMBER
					MISSING DIGITS SEE ORDERING CODE BELOW
<b>U2J (N750)</b>					
10	$\pm 10$	7.5	5.0	5.0, 7.5, 10.0, or 12.5	VY2100K29U2JS6###
15					VY2150K29U2JS6###
22					VY2220K29U2JS6###
33					VY2330K29U2JS6###
47					VY2470K29U2JS6###
<b>Y5S (2C3)</b>					
68	$\pm 10$	7.5	5.0	5.0, 7.5, 10.0, or 12.5	VY2680K29Y5SS6###
100					VY2101K29Y5SS6###
150					VY2151K29Y5SS6###
220					VY2221K29Y5SS6###
330					VY2331K29Y5SS6###
470					VY2471K29Y5SS6###
<b>Y5U (2E3)</b>					
680	$\pm 20$	7.5	5.0	5.0, 7.5, 10.0, or 12.5	VY2681M29Y5US6###
1000					VY2102M29Y5US6###
1500		8.0			VY2152M31Y5US6###
2200		9.0			VY2222M35Y5US6###
3300		10.5			VY2332M41Y5US6###
3900		11.0			VY2392M43Y5US6###
4700		12.5		VY2472M49Y5US6###	
6800		14.5		7.5, 10.0, or 12.5	VY2682M59Y5US63##
10 000		16.0		VY2103M63Y5US63##	
<b>Y5V (2F3) MINI SIZE SERIES</b>					
1000	$\pm 20$	7.5	5.0	5.0, 7.5, 10.0, or 12.5	VY2102M29Y5VS6###
1500		7.5			VY2152M29Y5VS6###
2200		8.0			VY2222M31Y5VS6###
3300		9.0			VY2332M35Y5VS6###
3900		10.0			VY2392M39Y5VS6###
4700		10.5			VY2472M41Y5VS6###
6800		12.0			VY2682M47Y5VS6###
10 000		15.0			VY2103M59Y5VS6###

**Note**

<sup>(1)</sup> Straight leads are available on request

ORDERING CODE										
###	15 <sup>th</sup> to 17 <sup>th</sup> digit			Lead configuration			Available configurations see below			
<b>Example</b>	<b>VY2</b>	<b>221</b>	<b>K</b>	<b>29</b>	<b>Y5S</b>	<b>S</b>	<b>6</b>	<b>U</b>	<b>V</b>	<b>7</b>
	Series	Capacitance value	Tolerance code	Size code	Temperature coefficient	Rated voltage	Lead wire diameter	Packaging / lead length	Lead style	Lead spacing
						S = X1/Y2 300 V (AC)		3 = bulk T = tape and reel U = ammopack	L = straight V = inline kinked	5 = 5.0 7 = 7.5 0 = 10.0 X = 12.5

**LEADSPACING 5.0 mm AND 7.5 mm**

PACKAGING				
SIZE CODE	BODY DIAMETER $D_{max.}$ (mm)	PACKAGING QUANTITIES		
		BULK	REEL	AMMO
29 to 49	12.5	1000	1000	1000
59 to 63	16.0	500	-	-

**LEADSPACING 10.0 mm AND 12.5 mm**

PACKAGING					
CAPACITANCE VALUE	SIZE CODE	BODY DIAMETER $D_{max.}$ (mm)	PACKAGING QUANTITIES		
			BULK	REEL	AMMO
10 pF to 4700 pF	29 to 49	12.5	1000	500	750
6800 pF to 0.01 $\mu$ F	59 to 63	16.0	500	500	750

**Note**

- The capacitors are supplied in bulk packaging (cardboard boxes), in tape on reel in ammopack

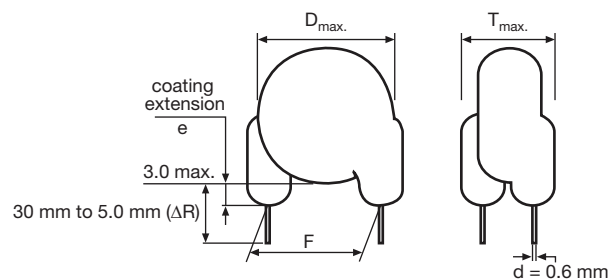
**STRAIGHT LEADS**




Fig. 1 - Kinked capacitors on tape, lead spacing 5.0 mm (0.2") and 7.5 mm (0.3")

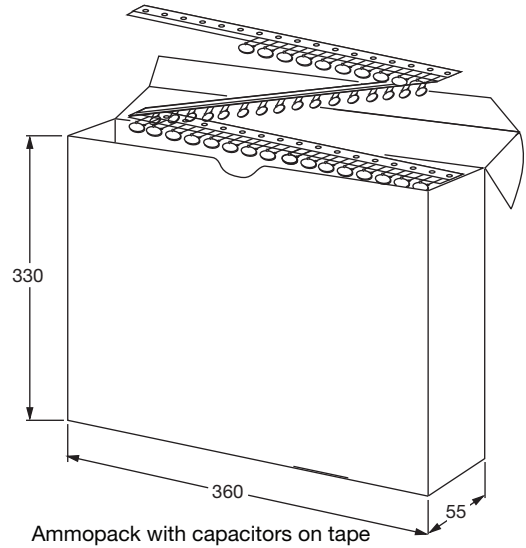
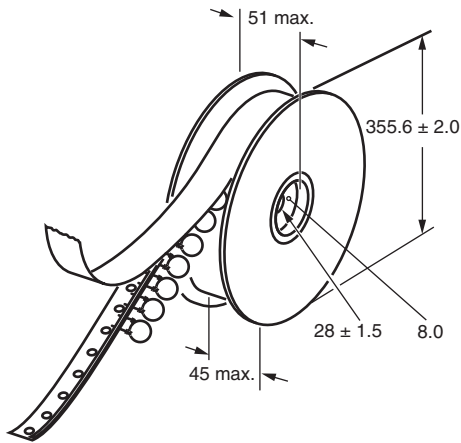


Fig. 2 - Inline kink (V) leaded capacitors on tape, lead spacing 10 mm (0.40")

DIMENSION OF TAPE		DIMENSIONS (mm)		
SYMBOL	PARAMETER	FIG. 1 (5 mm)	FIG. 1 (7.5 mm)	FIG. 2 (10 mm)
D <sup>(1)</sup>	Body diameter	11.0 max.	14.0 max.	16.0 max.
d	Lead diameter	0.6 ± 0.05	0.6 ± 0.05	0.6 ± 0.05
P	Pitch of component	12.7 ± 1	15.0 ± 1	25.4 ± 1
P <sub>0</sub> <sup>(2)</sup>	Pitch of sprocket hole	12.7 ± 0.3	15.0 ± 0.3	12.7 ± 0.3
P <sub>1</sub> <sup>(3)</sup>	Distance, hole center to lead	3.85 ± 0.7	3.75 ± 0.7	7.7 ± 1.0
P <sub>2</sub> <sup>(3)</sup>	Distance, hole to center of component	6.35 ± 1.3	7.5 ± 1.5	12.7 ± 1.5
F	Lead spacing	5.0 (+ 0.6 / - 0.4)	7.5 (+ 0.6 / - 0.4)	10.0 (+ 0.6 / - 0.4)
Δh	Average deviation across tape	± 1.0 max.	± 1.0 max.	± 1.0 max.
ΔP	Average deviation in direction of reeling	± 1.0 max.	± 1.0 max.	± 1.0 max.
W	Carrier tape width	18.0 + 1 / - 0.5	18.0 + 1 / - 0.5	18.0 + 1 / - 0.5
W <sub>0</sub>	Hold-down tape width	5.0 min.	5.0 min.	5.0 min.
W <sub>1</sub>	Position of sprocket hole	9.0 + 0.75 / - 0.5	9.0 + 0.75 / - 0.5	9.0 + 0.75 / - 0.5
W <sub>2</sub>	Distance of hold-down tape	3.0 max.	3.0 max.	3.0 max.
H <sub>1</sub>	Maximum component height	32	40	40
H <sub>0</sub>	Height to seating plane (for kinked leads)	16.0 ± 0.5	16.0 ± 0.5	16.0 ± 0.5
H <sub>0</sub>	Height to seating plane (for straight leads)	20.0 ± 0.5	20.0 ± 0.5	20.0 ± 0.5
L	Length of cut leads	11.0 max.	11.0 max.	11.0 max.
L <sub>1</sub>	Length of lead protrusion	1.0 max.	1.0 max.	1.0 max.
D <sub>0</sub>	Diameter of sprocket hole	4.0 ± 0.2	4.0 ± 0.2	4.0 ± 0.2
t	Total tape thickness	0.9 max.	0.9 max.	0.9 max.
t <sub>1</sub>	Maximum thickness of tape and wires	1.5 max.	1.5 max.	1.5 max.

**Notes**

- (1) See "Technical Data" table
- (2) Cumulative pitch error: ± 1 mm/20 pitches
- (3) Obliquity maximum 3°

**REEL AND TAPE DATA** in millimeters

**APPROVALS**

IEC 60384-14.4 - Safety tests

This approval together with CB test certificate substitutes all national approvals.

**CB Certificate**

Y2-capacitor: CB test certificate:	US-26163-UL	10 pF to 10 nF	300 V <sub>AC</sub>	
X1-capacitor: CB test certificate:	US-26163-UL	10 pF to 10 nF	440 V <sub>AC</sub>	

**VDE**

Y2-capacitor: VDE marks approval:	40009669	10 pF to 10 nF	300 V <sub>AC</sub>	
X1-capacitor: VDE marks approval:	40009669	10 pF to 10 nF	440 V <sub>AC</sub>	

DIN EN 60384-14 VDE 0565-1-1:2006-04 - Safety tests

**Underwriters Laboratories Inc. / Canadian Standards Association**

Y2-capacitor: UL-test certificate:	E183844	10 pF to 10 nF	300 V <sub>AC</sub>	
X1-capacitor: UL-test certificate:	E183844	10 pF to 10 nF	440 V <sub>AC</sub>	

 UL 60384-14.1, CSA E60384-1:03 2<sup>nd</sup> edition, CSA E60384-14:09 2<sup>nd</sup> edition

Across-the-line, antenna-coupling, and line-by-pass component

**CQC**

Y2-capacitor: CQC test certificate:	CQC05001012316	10 pF to 10 nF	300 V <sub>AC</sub>	
X1-capacitor: CQC test certificate:	CQC05001012316	10 pF to 10 nF	440 V <sub>AC</sub>	

MARKING		
Sample (2 sides)	<p>4 digit date code (year/week; add suffix "V" for mini size series)</p> <p><b>Front</b></p>	<p><b>Back</b></p>
		<p>                         PN: VY2331K29Y5SS6UV7    Lot1: 14Z549306    DC1: 0601                          QTY: 1000    Lot2:    DC2:                          PO:    Batch: 200601CN                          SO:    Region: 9520    SL: 0010                          Ser.No: 0601H72383                     </p> <p> <span style="float: right;">2/5</span> </p>

PERFORMANCE		
TEST	TEST CONDITION	TEST LIMITS
Visual and mechanical inspection	Optical inspection, dimensions measured with caliper	No visible damage, marking legible
Capacitance (C)	25 °C ± 3 °C, relative humidity (RH) ≤ 75 %, 1.0 V <sub>RMS</sub> ± 0.2 V <sub>RMS</sub> at 1 kHz for Y5U and Y5S, and 1 MHz for U2J	Capacitance within specified tolerance
Dissipation factor (DF)		DF ≤ 0.3 % for U2J and DF ≤ 2.5 % for Y5S and Y5U
Insulation resistance (IR)	Measured within 60 s ± 5 s after charging at 500 V <sub>DC</sub>	10 000 MΩ min.
Dielectric strength	2600 V <sub>AC</sub> at 50 Hz / 60 Hz for 1 min, 50 mA max.	No failure
Temperature characteristic	RH ≤ 75 %, 1.0 V <sub>RMS</sub> ± 0.2 V <sub>RMS</sub> at 1 kHz for Y5U and Y5S, and 1 MHz for U2J	U2J: -750 ppm ± 120 ppm Y5S: ± 22 % Y5U: +22 % / -56 %
Impulse voltage	3 pulses of 5 kV	No failure
Life test	1000 h at 125 °C ± 2 °C, 550 V <sub>AC</sub> /50 Hz; once every hour 1000 V <sub>AC</sub> for 0.1 s	External appearance: no visible damage ΔC/C ≤ ± 15 % DF ≤ 0.5 % for U2J and ≤ 5 % for Y5S and Y5U IR ≥ 3000 MΩ Dielectric strength: no failure
Humidity test	500 h at 440 V <sub>AC</sub> , 50 Hz and 500 h unloaded 40 °C, RH = 90 % to 95 %	External appearance: no visible damage ΔC/C ≤ ± 10 % for U2J and ≤ ± 15 % for Y5S and Y5U DF ≤ 0.5 % for U2J and ≤ 5 % for Y5S and Y5U IR ≥ 3000 MΩ Dielectric strength: no failure
Robustness of termination	Pull test: 0.5 kg tensile weight in radial direction for 10 s ± 1 s Bending strength: capacitor body rotated by 90° in both directions	No damage to capacitor body and lead wire
Soldering effect	Immersion of lead wires into 260 °C ± 5 °C solder for 10 s ± 2 s; min. distance from body: 1.5 mm Hand soldering at 400 °C ± 10 °C for 3 s to 4 s; min. distance from body: 1.5 mm	External appearance: no visible damage ΔC/C ≤ ± 5 % for U2J and ≤ ± 10 % for Y5S and Y5U Dielectric strength: no failure
Vibration test	<p>Resin (adhesive)</p> <p>Solder the capacitor onto test jig (glass epoxy body) and use resin (adhesive) to stick the body to the test jig. The capacitor must be soldered firmly to the supporting lead wire. Vibration change from 10 Hz to 2000 Hz and back to 10 Hz; Total amplitude: 1.5 mm; Acceleration: 100 m/s<sup>2</sup>; Sweep rate: 1 oct/min, each axis 2 h (6 h in total)</p>	External appearance: no visible damage Capacitance within specified tolerance DF ≤ 0.3 % for U2J and ≤ 2.5 % for Y5S and Y5U IR ≥ 10 000 GΩ



### LEAKAGE CURRENT VS. VOLTAGE (Typical)



#### Note

- The capacitors meet the essential requirements of EIA 198. Unless stated otherwise all electrical values apply at an ambient temperature of 25 °C ± 3 °C, at normal atmospheric conditions

RELATED DOCUMENTS	
General Information	<a href="http://www.vishay.com/doc?28536">www.vishay.com/doc?28536</a>
CB Test Certificate	<a href="http://www.vishay.com/doc?22254">www.vishay.com/doc?22254</a>
VDE Marks Approval	<a href="http://www.vishay.com/doc?22256">www.vishay.com/doc?22256</a>
UL Test Certificate	<a href="http://www.vishay.com/doc?22253">www.vishay.com/doc?22253</a>
CQC Test Certificate	<a href="http://www.vishay.com/doc?22255">www.vishay.com/doc?22255</a>
LTspice® Models	<a href="http://www.vishay.com/doc?28568">www.vishay.com/doc?28568</a>

SAMPLE KITS	
Part Number (VY2 Sample Kit)	VY21-KIT-HF
Link (VY2 Sample Kit)	<a href="http://www.vishay.com/doc?28554">www.vishay.com/doc?28554</a>
Part Number (VY2...Y5V Sample Kit)	VY2-KIT-MS
Link (VY2...Y5V Sample Kit)	<a href="http://www.vishay.com/doc?28562">www.vishay.com/doc?28562</a>



## **Disclaimer**

ALL PRODUCT, PRODUCT SPECIFICATIONS AND DATA ARE SUBJECT TO CHANGE WITHOUT NOTICE TO IMPROVE RELIABILITY, FUNCTION OR DESIGN OR OTHERWISE.

Vishay Intertechnology, Inc., its affiliates, agents, and employees, and all persons acting on its or their behalf (collectively, "Vishay"), disclaim any and all liability for any errors, inaccuracies or incompleteness contained in any datasheet or in any other disclosure relating to any product.

Vishay makes no warranty, representation or guarantee regarding the suitability of the products for any particular purpose or the continuing production of any product. To the maximum extent permitted by applicable law, Vishay disclaims (i) any and all liability arising out of the application or use of any product, (ii) any and all liability, including without limitation special, consequential or incidental damages, and (iii) any and all implied warranties, including warranties of fitness for particular purpose, non-infringement and merchantability.

Statements regarding the suitability of products for certain types of applications are based on Vishay's knowledge of typical requirements that are often placed on Vishay products in generic applications. Such statements are not binding statements about the suitability of products for a particular application. It is the customer's responsibility to validate that a particular product with the properties described in the product specification is suitable for use in a particular application. Parameters provided in datasheets and / or specifications may vary in different applications and performance may vary over time. All operating parameters, including typical parameters, must be validated for each customer application by the customer's technical experts. Product specifications do not expand or otherwise modify Vishay's terms and conditions of purchase, including but not limited to the warranty expressed therein.

Except as expressly indicated in writing, Vishay products are not designed for use in medical, life-saving, or life-sustaining applications or for any other application in which the failure of the Vishay product could result in personal injury or death. Customers using or selling Vishay products not expressly indicated for use in such applications do so at their own risk. Please contact authorized Vishay personnel to obtain written terms and conditions regarding products designed for such applications.

No license, express or implied, by estoppel or otherwise, to any intellectual property rights is granted by this document or by any conduct of Vishay. Product names and markings noted herein may be trademarks of their respective owners.



Компания «Океан Электроники» предлагает заключение долгосрочных отношений при поставках импортных электронных компонентов на взаимовыгодных условиях!

Наши преимущества:

- Поставка оригинальных импортных электронных компонентов напрямую с производств Америки, Европы и Азии, а так же с крупнейших складов мира;
- Широкая линейка поставок активных и пассивных импортных электронных компонентов (более 30 млн. наименований);
- Поставка сложных, дефицитных, либо снятых с производства позиций;
- Оперативные сроки поставки под заказ (от 5 рабочих дней);
- Экспресс доставка в любую точку России;
- Помощь Конструкторского Отдела и консультации квалифицированных инженеров;
- Техническая поддержка проекта, помощь в подборе аналогов, поставка прототипов;
- Поставка электронных компонентов под контролем ВП;
- Система менеджмента качества сертифицирована по Международному стандарту ISO 9001;
- При необходимости вся продукция военного и аэрокосмического назначения проходит испытания и сертификацию в лаборатории (по согласованию с заказчиком);
- Поставка специализированных компонентов военного и аэрокосмического уровня качества (Xilinx, Altera, Analog Devices, Intersil, Interpoint, Microsemi, Actel, Aeroflex, Peregrine, VPT, Syfer, Eurofarad, Texas Instruments, MS Kennedy, Miteq, Cobham, E2V, MA-COM, Hittite, Mini-Circuits, General Dynamics и др.);

Компания «Океан Электроники» является официальным дистрибьютором и эксклюзивным представителем в России одного из крупнейших производителей разъемов военного и аэрокосмического назначения «JONHON», а так же официальным дистрибьютором и эксклюзивным представителем в России производителя высокотехнологичных и надежных решений для передачи СВЧ сигналов «FORSTAR».



## JONHON

«JONHON» (основан в 1970 г.)

Разъемы специального, военного и аэрокосмического назначения:

(Применяются в военной, авиационной, аэрокосмической, морской, железнодорожной, горно- и нефтедобывающей отраслях промышленности)

«FORSTAR» (основан в 1998 г.)

ВЧ соединители, коаксиальные кабели, кабельные сборки и микроволновые компоненты:

(Применяются в телекоммуникациях гражданского и специального назначения, в средствах связи, РЛС, а так же военной, авиационной и аэрокосмической отраслях промышленности).



Телефон: 8 (812) 309-75-97 (многоканальный)

Факс: 8 (812) 320-03-32

Электронная почта: [ocean@oceanchips.ru](mailto:ocean@oceanchips.ru)

Web: <http://oceanchips.ru/>

Адрес: 198099, г. Санкт-Петербург, ул. Калинина, д. 2, корп. 4, лит. А