

# MC10H643, MC100H643

## Dual Supply ECL to TTL 1:8 Clock Driver

### Description

The MC10H/100H643 is a dual supply, low skew translating 1:8 clock driver. Devices in the ON Semiconductor H643 translator series utilize the PLCC-28 for optimal power pinning, signal flow through and electrical performance. The dual-supply H643 is similar to the H641, which is a single-supply 1:9 version of the same function.

The device features a 48 mA TTL output stage, with AC performance specified into a 50 pF load capacitance. A Latch is provided on-chip. When LEN is LOW (or left open, in which case it is pulled LOW by the internal pulldowns) the latch is transparent. A HIGH on the enable pin ( $\overline{EN}$ ) forces all outputs LOW.

The 10H version is compatible with MECL 10H™ ECL logic levels. The 100H version is compatible with 100K levels.

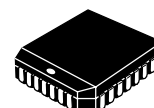
### Features

- ECL/TTL Version of Popular ECLinPS™ E111
- Low Skew Within Device 0.5 ns
- Guaranteed Skew Spec Part-to-Part 1.0 ns
- Latch
- Differential Internal Design
- $V_{BB}$  Output
- Dual Supply
- Reset/Enable
- Multiple TTL and ECL Power/Ground Pins
- Pb-Free Packages are Available\*



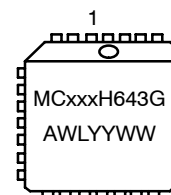
ON Semiconductor®

<http://onsemi.com>



PLCC-28  
FN SUFFIX  
CASE 776

### MARKING DIAGRAM\*



xxx	= 10 or 100
A	= Assembly Location
WL	= Wafer Lot
YY	= Year
WW	= Work Week
G	= Pb-Free Package

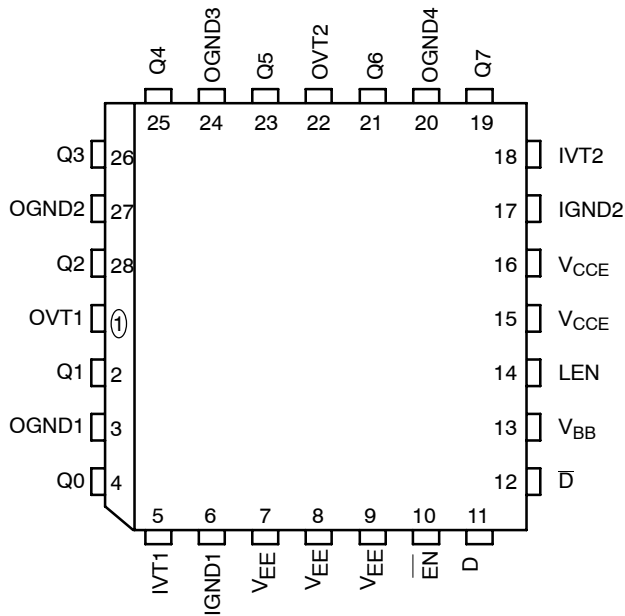
\*For additional marking information, refer to Application Note AND8002/D.

### ORDERING INFORMATION

See detailed ordering and shipping information in the package dimensions section on page 4 of this data sheet.

\*For additional information on our Pb-Free strategy and soldering details, please download the ON Semiconductor Soldering and Mounting Techniques Reference Manual, SOLDERRM/D.

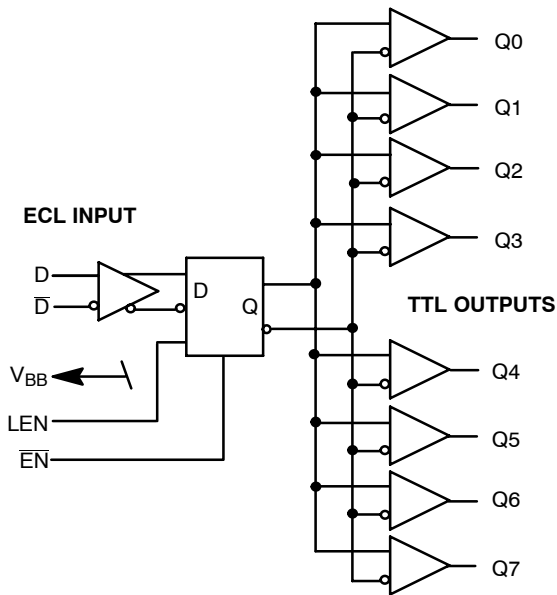
# MC10H643, MC100H643



**Figure 1. Pinout: PLCC-28**  
(Top View)

**Table 1. PIN DESCRIPTION**

PIN	FUNCTION
OGND	TTL Output Ground (0V)
OVT	TTL Output V <sub>CC</sub> (+5.0V)
IGND	Internal TTL GND (0V)
IVT	Internal TTL V <sub>CC</sub> (+5.0V)
V <sub>EE</sub>	ECL V <sub>EE</sub> (-5.2/-4.5V)
V <sub>CCE</sub>	ECL Ground (0V)
D, $\bar{D}$	Signal Input (ECL)
V <sub>BB</sub>	V <sub>BB</sub> Reference Output
Q0 - Q7	Signal Outputs (TTL)
EN	Enable Input (ECL)
LEN	Latch Enable Input (ECL)



**Figure 2. Logic Diagram**

**Table 2. TRUTH TABLE**

D	LEN	EN	Q
L	L	L	L
H	L	L	H
X	H	L	Q <sub>0</sub>
X	X	H	L

# MC10H643, MC100H643

**Table 3. DC CHARACTERISTICS** (IVT = OVT = 5.0 V  $\pm 5\%$ ;  $V_{EE} = -5.2$  V  $\pm 5\%$  (10H Version);  
 $V_{EE} = -4.2$  V to  $-5.5$  V (100H Version))

Symbol	Characteristic		Condition	0°C		25°C		85°C		Unit
				Min	Max	Min	Max	Min	Max	
$I_{EE}$	Power Supply Current	ECL	$V_{EE}$ Pins	-	42	-	42	-	42	mA
$I_{CCL}$		TTL	Total all OVT and IVT pins	-	106	-	106	-	106	mA
$I_{CCH}$				-	95	-	95	-	95	mA

NOTE: Device will meet the specifications after thermal equilibrium has been established when mounted in a test socket or printed circuit board with maintained transverse airflow greater than 500 lfpm. Electrical parameters are guaranteed only over the declared operating temperature range. Functional operation of the device exceeding these conditions is not implied. Device specification limit values are applied individually under normal operating conditions and not valid simultaneously.

**Table 4. 10H ECL DC CHARACTERISTICS** (IVT = OVT = 5.0 V  $\pm 5\%$ ;  $V_{EE} = -5.2$  V  $\pm 5\%$  (10H Version))

Symbol	Characteristic		0°C		25°C		85°C		Unit
			Min	Max	Min	Max	Min	Max	
$I_{INH}$ $I_{INL}$	Input HIGH Current Input LOW Current	-	255	-	175	-	175	$\mu$ A	
$V_{IH}$ $V_{IL}$	Input HIGH Voltage Input LOW Voltage	-1170 -1950	-840 -1480	-1130 -1950	-810 -1480	-1070 -1950	-735 -1450	mV	
$V_{BB}$	Output Reference Voltage	-1380	-1270	-1350	-1250	-1310	-1190	mV	

NOTE: Device will meet the specifications after thermal equilibrium has been established when mounted in a test socket or printed circuit board with maintained transverse airflow greater than 500 lfpm. Electrical parameters are guaranteed only over the declared operating temperature range. Functional operation of the device exceeding these conditions is not implied. Device specification limit values are applied individually under normal operating conditions and not valid simultaneously.

**Table 5. 100H ECL DC CHARACTERISTICS** (IVT = OVT = 5.0 V  $\pm 5\%$ ;  $V_{EE} = -4.2$  V to  $-5.5$  V (100H))

Symbol	Characteristic		0°C		25°C		85°C		Unit
			Min	Max	Min	Max	Min	Max	
$I_{INH}$ $I_{INL}$	Input HIGH Current Input LOW Current	-	255	-	175	-	175	$\mu$ A	
$V_{IH}$ $V_{IL}$	Input HIGH Voltage Input LOW Voltage	-1165 -1810	-880 -1475	-1165 -1810	-880 -1475	-1165 -1810	-880 -1475	mV	
$V_{BB}$	Output Reference Voltage	-1380	-1260	-1380	-1260	-1380	-1260	mV	

NOTE: Device will meet the specifications after thermal equilibrium has been established when mounted in a test socket or printed circuit board with maintained transverse airflow greater than 500 lfpm. Electrical parameters are guaranteed only over the declared operating temperature range. Functional operation of the device exceeding these conditions is not implied. Device specification limit values are applied individually under normal operating conditions and not valid simultaneously.

**Table 6. DC TTL CHARACTERISTICS** (IVT = OVT = 5.0 V  $\pm 5\%$ ;  $V_{EE} = -5.2$  V  $\pm 5\%$  (10H Version);  
 $V_{EE} = -4.2$  V to  $-5.5$  V (100H Version))

Symbol	Characteristic		0°C		25°C		85°C		Unit
			Min	Max	Min	Max	Min	Max	
$V_{OH}$	Output HIGH Voltage	$I_{OH} = -3.0$ mA $I_{OH} = -15$ mA	2.5 2.0	- -	2.5 2.0	- -	2.5 2.0	- -	V
$V_{OL}$	Output LOW Voltage	$I_{OH} = 48$ mA	-	0.5	-	0.5	-	0.5	V
IOS	Output Short Circuit Current	$V_{OUT} = 0$ V	-100	-225	-100	-225	-100	-225	mA

NOTE: Device will meet the specifications after thermal equilibrium has been established when mounted in a test socket or printed circuit board with maintained transverse airflow greater than 500 lfpm. Electrical parameters are guaranteed only over the declared operating temperature range. Functional operation of the device exceeding these conditions is not implied. Device specification limit values are applied individually under normal operating conditions and not valid simultaneously.

# MC10H643, MC100H643

**Table 7. AC CHARACTERISTICS** (IVT = OVT = 5.0 V  $\pm 5\%$ ; V<sub>EE</sub> = -5.2 V  $\pm 10\%$  (10H); -4.2 V to -5.5 V (100H); V<sub>CCE</sub> = GND)

Symbol	Characteristic	Condition	0°C		25°C		85°C		Unit
			Min	Max	Min	Max	Min	Max	
t <sub>PLH</sub>	Propagation Delay to Output D LEN EN	CL = 50 pF	4.0 3.5 3.5	5.0 5.5 5.5	4.1 3.5 3.5	5.1 5.5 5.5	4.4 3.9 3.9	5.4 5.9 5.9	ns
t <sub>SKEW</sub>	Within-Device Skew	(Note 1)	-	0.5	-	0.5		0.5	ns
t <sub>w</sub>	Pulse Width Out HIGH or LOW @ f <sub>out</sub> = 50MHz	CL = 50 pF (Note 2)	9.0	11.0	9.0	11.0	9.0	11.0	ns
t <sub>s</sub>	Setup Time D		0.75	-	0.75	-	0.75	-	ns
t <sub>h</sub>	Hold Time D		0.75	-	0.75	-	0.75	-	ns
t <sub>RR</sub>	Recovery Time LEN EN		1.25 1.25	- -	1.25 1.25	- -	1.25 1.25	- -	ns
t <sub>pw</sub>	Minimum Pulse Width LEN EN		1.5 1.5	- -	1.5 1.5	- -	1.5 1.5	- -	ns
t <sub>r</sub> t <sub>f</sub>	Rise / Fall Times 0.8 V – 2.0 V	CL = 50 pF	-	1.2	-	1.2	-	1.2	ns

NOTE: Device will meet the specifications after thermal equilibrium has been established when mounted in a test socket or printed circuit board with maintained transverse airflow greater than 500 lfm. Electrical parameters are guaranteed only over the declared operating temperature range. Functional operation of the device exceeding these conditions is not implied. Device specification limit values are applied individually under normal operating conditions and not valid simultaneously.

1. Within-Device skew defined as identical transitions on similar paths through a device.
2. Pulse width is defined relative to 1.5 V measurement points on the output waveform.

## ORDERING INFORMATION

Device	Package	Shipping <sup>†</sup>
MC10H643FN	PLCC-28	37 Units / Rail
MC10H643FNG	PLCC-28 (Pb-Free)	37 Units / Rail
MC10H643FNR2	PLCC-28	500 / Tape & Reel
MC10H643FNR2G	PLCC-28 (Pb-Free)	500 / Tape & Reel
MC100H643FN	PLCC-28	37 Units / Rail
MC100H643FNG	PLCC-28 (Pb-Free)	37 Units / Rail
MC100H643FNR2	PLCC-28	500 / Tape & Reel
MC100H643FNR2G	PLCC-28 (Pb-Free)	500 / Tape & Reel

<sup>†</sup>For information on tape and reel specifications, including part orientation and tape sizes, please refer to our Tape and Reel Packaging Specifications Brochure, BRD8011/D.

## MC10H643, MC100H643

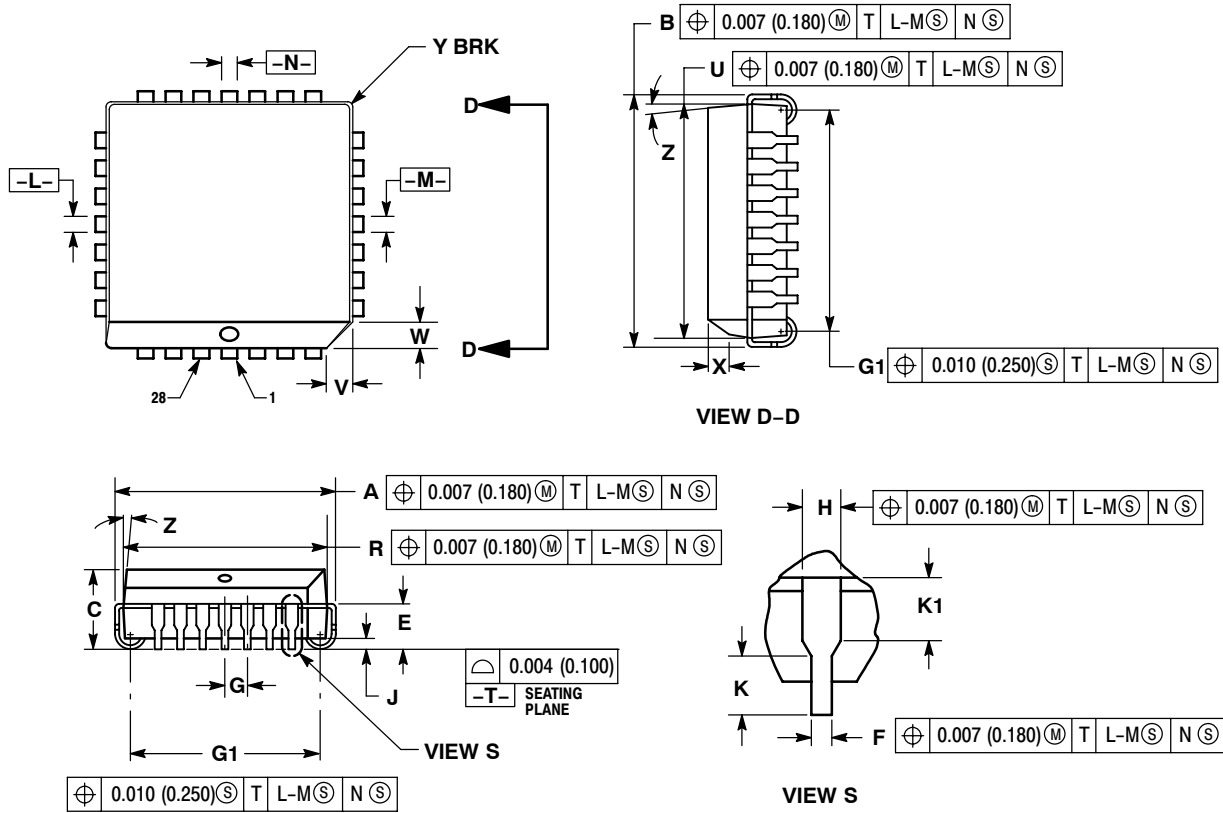
### Resource Reference of Application Notes

- AN1405/D** – ECL Clock Distribution Techniques
- AN1406/D** – Designing with PECL (ECL at +5.0 V)
- AN1503/D** – ECLinPS™ I/O SPiCE Modeling Kit
- AN1504/D** – Metastability and the ECLinPS Family
- AN1568/D** – Interfacing Between LVDS and ECL
- AN1672/D** – The ECL Translator Guide
- AND8001/D** – Odd Number Counters Design
- AND8002/D** – Marking and Date Codes
- AND8020/D** – Termination of ECL Logic Devices
- AND8066/D** – Interfacing with ECLinPS
- AND8090/D** – AC Characteristics of ECL Devices

# MC10H643, MC100H643

## PACKAGE DIMENSIONS

PLCC-28  
FN SUFFIX  
PLASTIC PLCC PACKAGE  
CASE 776-02  
ISSUE E




**NOTES:**

- DATUMS -L-, -M-, AND -N- DETERMINED WHERE TOP OF LEAD SHOULDER EXITS PLASTIC BODY AT MOLD PARTING LINE.
- DIMENSION G1, TRUE POSITION TO BE MEASURED AT DATUM -T-, SEATING PLANE.
- DIMENSIONS R AND U DO NOT INCLUDE MOLD FLASH. ALLOWABLE MOLD FLASH IS 0.010 (0.250) PER SIDE.
- DIMENSIONING AND TOLERANCING PER ANSI Y14.5M, 1982.
- CONTROLLING DIMENSION: INCH.
- THE PACKAGE BOTTOM MAY BE SMALLER THAN THE PACKAGE TOP BY UP TO 0.012 (0.300). DIMENSIONS R AND U ARE DETERMINED AT THE OUTERMOST EXTREMES OF THE PLASTIC BODY EXCLUSIVE OF MOLD FLASH, TIE BAR BURRS, GATE BURRS AND INTERLEAD FLASH, BUT INCLUDING ANY MISMATCH BETWEEN THE TOP AND BOTTOM OF THE PLASTIC BODY.
- DIMENSION H DOES NOT INCLUDE DAMBAR PROTRUSION OR INTRUSION. THE DAMBAR PROTRUSION(S) SHALL NOT CAUSE THE H DIMENSION TO BE GREATER THAN 0.037 (0.940). THE DAMBAR INTRUSION(S) SHALL NOT CAUSE THE H DIMENSION TO BE SMALLER THAN 0.025 (0.635).

DIM	INCHES		MILLIMETERS	
	MIN	MAX	MIN	MAX
A	0.485	0.495	12.32	12.57
B	0.485	0.495	12.32	12.57
C	0.165	0.180	4.20	4.57
E	0.090	0.110	2.29	2.79
F	0.013	0.019	0.33	0.48
G	0.050 BSC		1.27 BSC	
H	0.026	0.032	0.66	0.81
J	0.020	---	0.51	---
K	0.025	---	0.64	---
R	0.450	0.456	11.43	11.58
U	0.450	0.456	11.43	11.58
V	0.042	0.048	1.07	1.21
W	0.042	0.048	1.07	1.21
X	0.042	0.056	1.07	1.42
Y	---	0.020	---	0.50
Z	2° 10°		2° 10°	
G1	0.410	0.430	10.42	10.92
K1	0.040	---	1.02	---

# MC10H643, MC100H643

ECLinPS is a trademark of Semiconductor Components Industries, LLC (SCILLC).  
MECL 10H is a trademark of Motorola, Inc.

**ON Semiconductor** and  are registered trademarks of Semiconductor Components Industries, LLC (SCILLC). SCILLC reserves the right to make changes without further notice to any products herein. SCILLC makes no warranty, representation or guarantee regarding the suitability of its products for any particular purpose, nor does SCILLC assume any liability arising out of the application or use of any product or circuit, and specifically disclaims any and all liability, including without limitation special, consequential or incidental damages. "Typical" parameters which may be provided in SCILLC data sheets and/or specifications can and do vary in different applications and actual performance may vary over time. All operating parameters, including "Typicals" must be validated for each customer application by customer's technical experts. SCILLC does not convey any license under its patent rights nor the rights of others. SCILLC products are not designed, intended, or authorized for use as components in systems intended for surgical implant into the body, or other applications intended to support or sustain life, or for any other application in which the failure of the SCILLC product could create a situation where personal injury or death may occur. Should Buyer purchase or use SCILLC products for any such unintended or unauthorized application, Buyer shall indemnify and hold SCILLC and its officers, employees, subsidiaries, affiliates, and distributors harmless against all claims, costs, damages, and expenses, and reasonable attorney fees arising out of, directly or indirectly, any claim of personal injury or death associated with such unintended or unauthorized use, even if such claim alleges that SCILLC was negligent regarding the design or manufacture of the part. SCILLC is an Equal Opportunity/Affirmative Action Employer. This literature is subject to all applicable copyright laws and is not for resale in any manner.

## PUBLICATION ORDERING INFORMATION

### LITERATURE FULFILLMENT:

Literature Distribution Center for ON Semiconductor  
P.O. Box 5163, Denver, Colorado 80217 USA  
**Phone:** 303-675-2175 or 800-344-3860 Toll Free USA/Canada  
**Fax:** 303-675-2176 or 800-344-3867 Toll Free USA/Canada  
**Email:** [orderlit@onsemi.com](mailto:orderlit@onsemi.com)

**N. American Technical Support:** 800-282-9855 Toll Free  
USA/Canada  
**Europe, Middle East and Africa Technical Support:**  
Phone: 421 33 790 2910  
**Japan Customer Focus Center**  
Phone: 81-3-5773-3850

**ON Semiconductor Website:** [www.onsemi.com](http://www.onsemi.com)  
**Order Literature:** <http://www.onsemi.com/orderlit>  
For additional information, please contact your local  
Sales Representative

Компания «Океан Электроники» предлагает заключение долгосрочных отношений при поставках импортных электронных компонентов на взаимовыгодных условиях!

Наши преимущества:

- Поставка оригинальных импортных электронных компонентов напрямую с производств Америки, Европы и Азии, а так же с крупнейших складов мира;
- Широкая линейка поставок активных и пассивных импортных электронных компонентов (более 30 млн. наименований);
- Поставка сложных, дефицитных, либо снятых с производства позиций;
- Оперативные сроки поставки под заказ (от 5 рабочих дней);
- Экспресс доставка в любую точку России;
- Помощь Конструкторского Отдела и консультации квалифицированных инженеров;
- Техническая поддержка проекта, помощь в подборе аналогов, поставка прототипов;
- Поставка электронных компонентов под контролем ВП;
- Система менеджмента качества сертифицирована по Международному стандарту ISO 9001;
- При необходимости вся продукция военного и аэрокосмического назначения проходит испытания и сертификацию в лаборатории (по согласованию с заказчиком);
- Поставка специализированных компонентов военного и аэрокосмического уровня качества (Xilinx, Altera, Analog Devices, Intersil, Interpoint, Microsemi, Actel, Aeroflex, Peregrine, VPT, Syfer, Eurofarad, Texas Instruments, MS Kennedy, Miteq, Cobham, E2V, MA-COM, Hittite, Mini-Circuits, General Dynamics и др.);

Компания «Океан Электроники» является официальным дистрибьютором и эксклюзивным представителем в России одного из крупнейших производителей разъемов военного и аэрокосмического назначения «JONHON», а так же официальным дистрибьютором и эксклюзивным представителем в России производителя высокотехнологичных и надежных решений для передачи СВЧ сигналов «FORSTAR».



## JONHON

«JONHON» (основан в 1970 г.)

Разъемы специального, военного и аэрокосмического назначения:

(Применяются в военной, авиационной, аэрокосмической, морской, железнодорожной, горно- и нефтедобывающей отраслях промышленности)

«FORSTAR» (основан в 1998 г.)

ВЧ соединители, коаксиальные кабели, кабельные сборки и микроволновые компоненты:

(Применяются в телекоммуникациях гражданского и специального назначения, в средствах связи, РЛС, а так же военной, авиационной и аэрокосмической отраслях промышленности).



Телефон: 8 (812) 309-75-97 (многоканальный)

Факс: 8 (812) 320-03-32

Электронная почта: [ocean@oceanchips.ru](mailto:ocean@oceanchips.ru)

Web: <http://oceanchips.ru/>

Адрес: 198099, г. Санкт-Петербург, ул. Калинина, д. 2, корп. 4, лит. А