

NOTES:

- MATERIAL: HOUSING - HIGH TEMP NYLON, GLASS FILLED, UL 94V-0  
COLOR: SEE TABLE ON SHEET 6 & 7  
LATCH - HIGH TEMP NYLON, GLASS FILLED, UL 94V-0  
COLOR: SEE TABLE ON SHEET 6 & 7  
TERMINAL: COPPER ALLOY

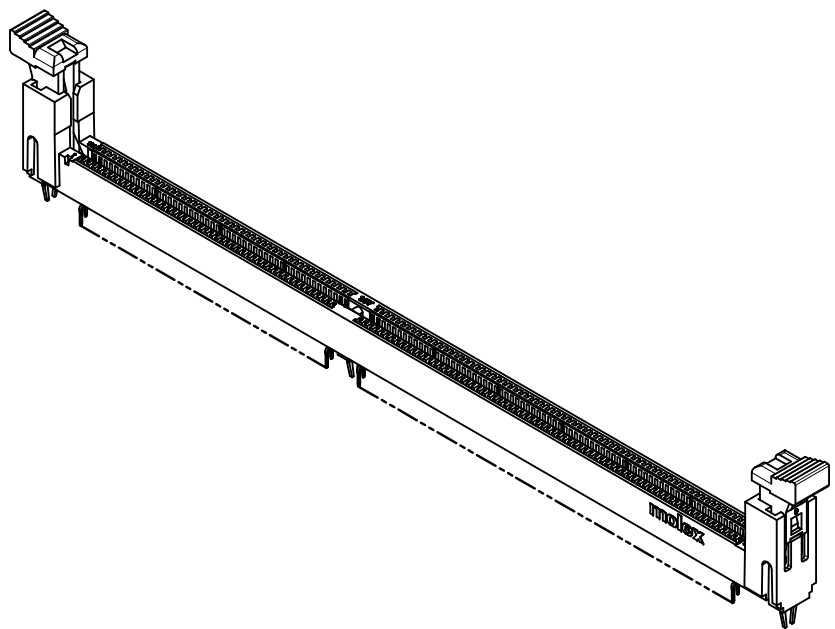
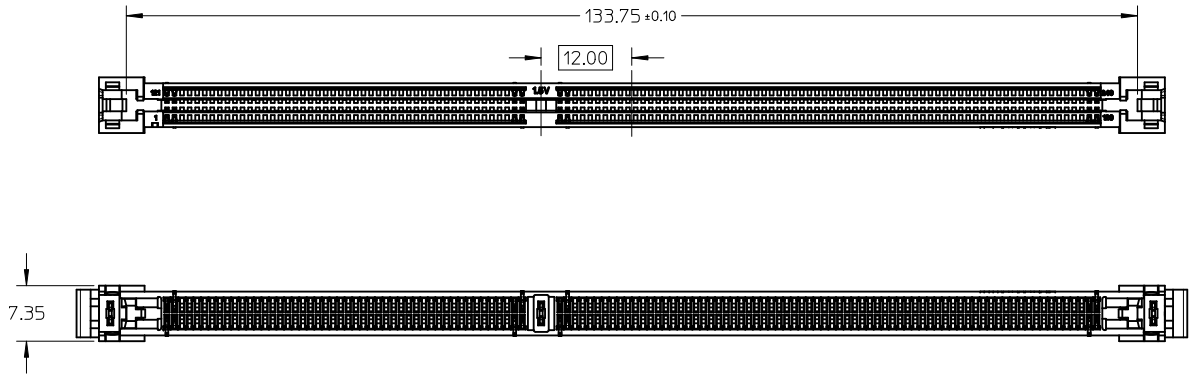
- FINISHES:  
TERMINAL PLATING OPTIONS - SEE TABLE ON SHEET 6 & 7
- PRODUCT SPECIFICATION: SEE TABLE ON SHEET 6 & 7
- PACKAGING INFORMATION: PRODUCT SHALL BE PACKED IN TRAY
- CARD SLOTS ACCEPTS 1.27 $\pm$ 0.10MM MODULE THICKNESS (MEASURED FROM PC PADS)

- 6. MOLEX LOGO, DATE CODE AND PART NO. INDICATED ON HOUSING
- 7. MODULE SEATING PLANE FROM TOP OF PCB
- 8. KEEP OUT ZONE RESERVED FOR LATCH

THIS DESIGN IS BASED ON DESIGN OBJECTIVES AND IS STRICTLY TENTATIVE. IT MAY CHANGE BASED ON RESULTS OF ADDITIONAL DESIGN REVIEWS & VERIFICATIONS.

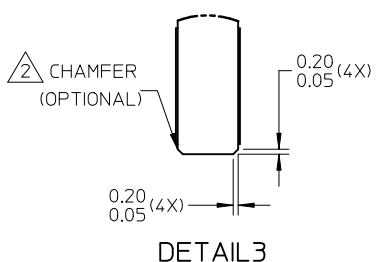
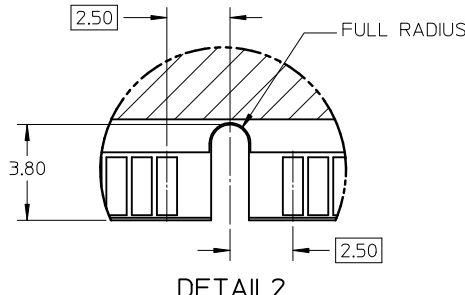
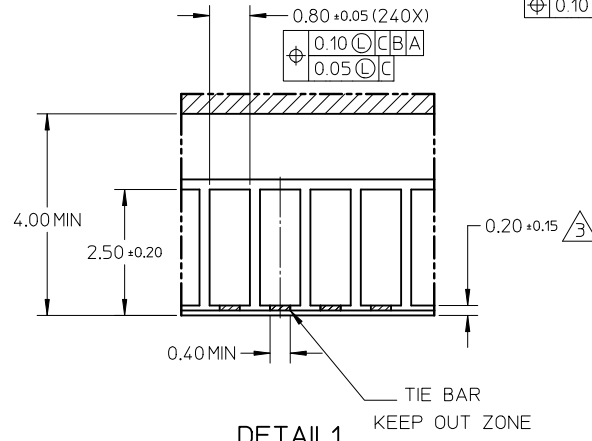
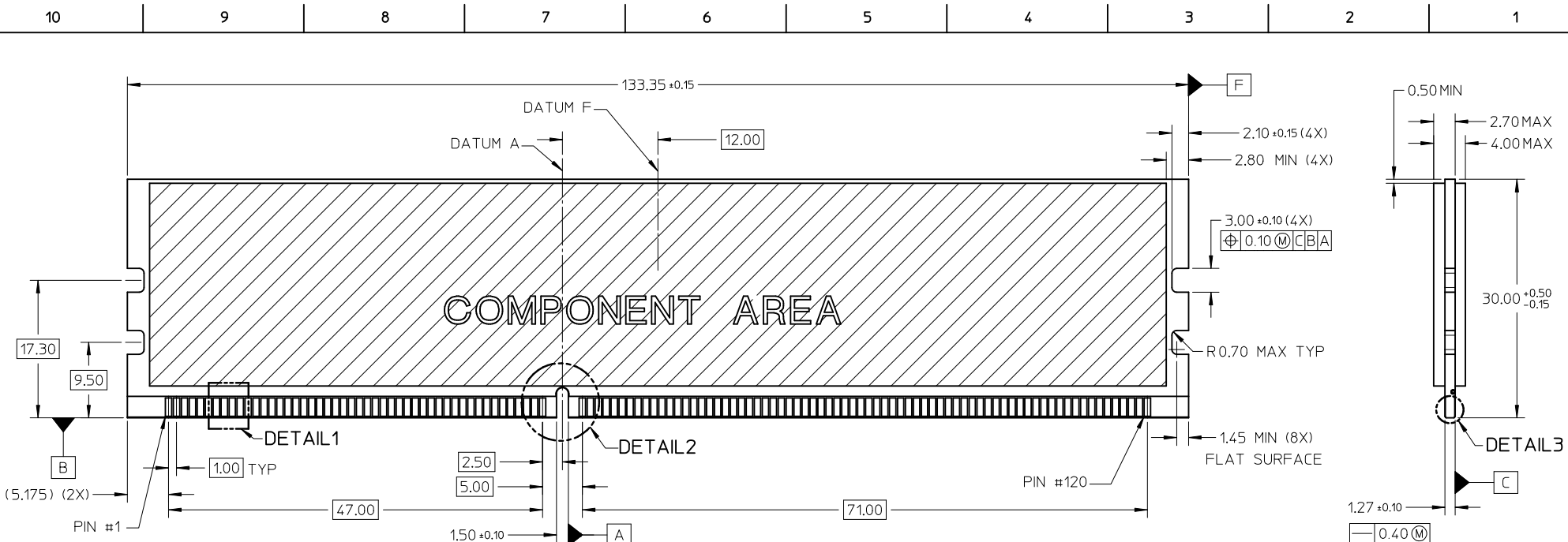
<b>FORKLOCK UPDATED</b> EC NO: S2010-0888 DRWN: JAKEEVIEW 2010/04/23 CHKD: CCTEH 2010/06/10 APPR: SHLENI 2010/06/13	QUALITY SYMBOLS $F_A=0$ $F_C=0$ $F_B=0$	GENERAL TOLERANCES (UNLESS SPECIFIED)		DIMENSION STYLE MM ONLY		SCALE NTS	DESIGN UNITS METRIC	THIRD ANGLE PROJECTION		
			mm	INCH	DRAWN BY YTYANG01	DATE 2007/09/24	TITLE DDR3 DIMM, 100MM PITCH 240 CKTS, VERTICAL, T/H LOW LLLCR			
		4 PLACES	$\pm$ ---	$\pm$ ---	CHECKED BY CCTEH	DATE 2007/11/12	MOLEX INCORPORATED DOCUMENT NO. SD-78321-001 SHEET NO. 1 OF 7			
		3 PLACES	$\pm$ ---	$\pm$ ---	APPROVED BY SHLENI	DATE 2010/06/10				
2 PLACES	$\pm 0.2$	$\pm$ ---	ANGULAR $\pm 1^\circ$		MATERIAL NO. SEE TABLE		DRAFT WHERE APPLICABLE MUST REMAIN WITHIN DIMENSIONS			
1 PLACE	$\pm$ ---	$\pm$ ---	SIZE A3		THIS DRAWING CONTAINS INFORMATION THAT IS PROPRIETARY TO MOLEX INCORPORATED AND SHOULD NOT BE USED WITHOUT WRITTEN PERMISSION					

10 9 8 7 6 5 4 3 2 1



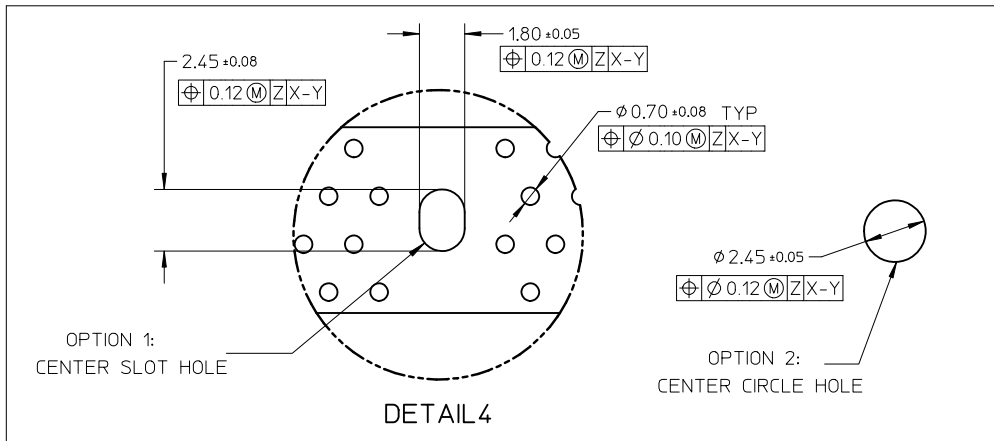
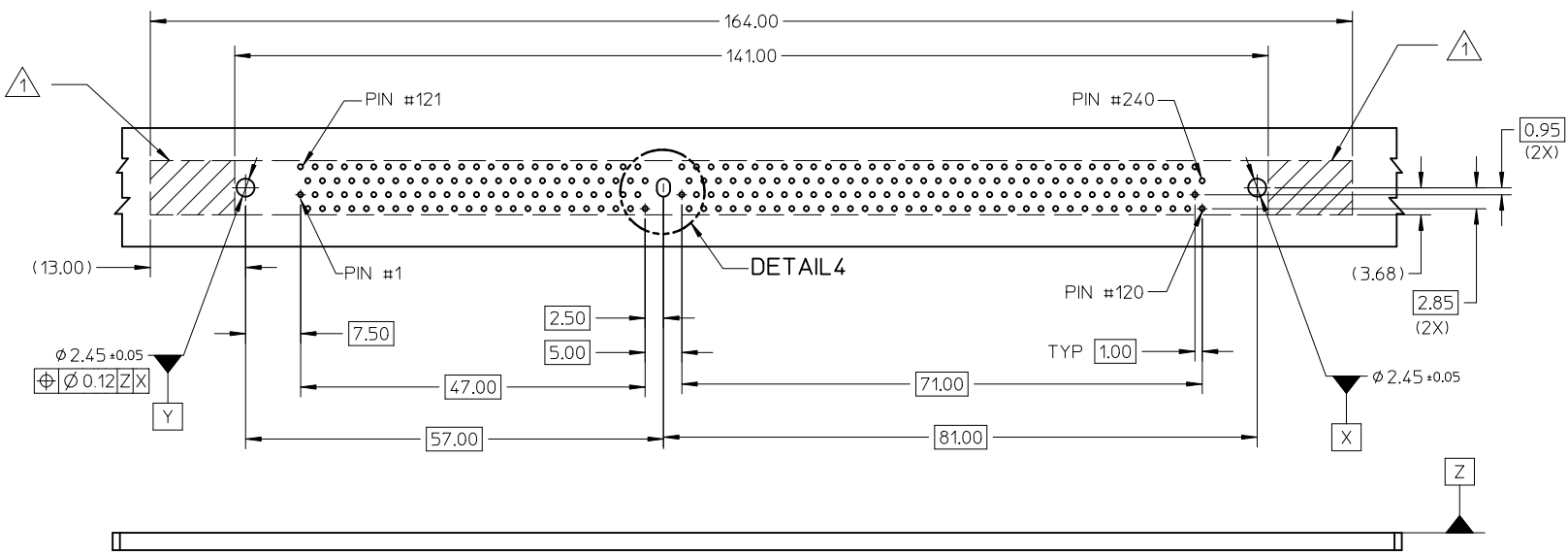
FORKLOCK UPDATED EC NO: S2010-0888 DRWN: JAKEEVEW 2010/04/23 CHKD: CCTEH 2010/06/10 APPR: SHLENI 2010/06/13	QUALITY SYMBOLS	GENERAL TOLERANCES (UNLESS SPECIFIED)	DIMENSION STYLE	SCALE	DESIGN UNITS	THIRD ANGLE PROJECTION	
	$\nabla_A = 0$ $\nabla_C = 0$ $\nabla_P = 0$	mm    INCH 4 PLACES ± --- ± --- 3 PLACES ± --- ± --- 2 PLACES ± 0.2 ± --- 1 PLACE ± --- ± --- ANGULAR ± 1 °	MM ONLY	NTS	METRIC	☉    □    THIRD ANGLE PROJECTION	
	REV	DESCRIPTION	DRAWN BY	DATE	TITLE		
	10		YTYANG01	2007/09/24	DDR3 DIMM, 1.00MM PITCH 240 CKTS, VERTICAL, T/H LOW LLCR		
		DRAFT WHERE APPLICABLE MUST REMAIN WITHIN DIMENSIONS	CHECKED BY	DATE	MOLEX INCORPORATED		
			CCTEH	2007/11/12	DOCUMENT NO.		
			APPROVED BY	DATE	SHEET NO.		
			SHLENI	2010/06/10	2 OF 7		
			MATERIAL NO.	SD-78321-001			
			SIZE	THIS DRAWING CONTAINS INFORMATION THAT IS PROPRIETARY TO MOLEX INCORPORATED AND SHOULD NOT BE USED WITHOUT WRITTEN PERMISSION			
			A3				

9 8 7 6 5 4 3 2 1



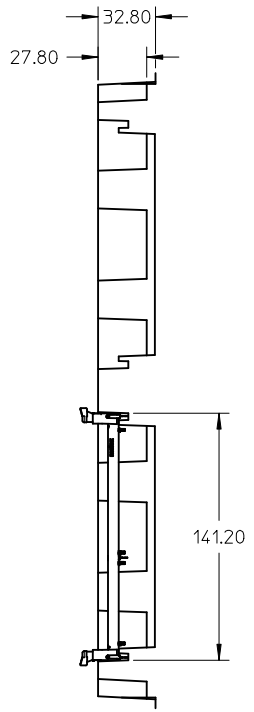
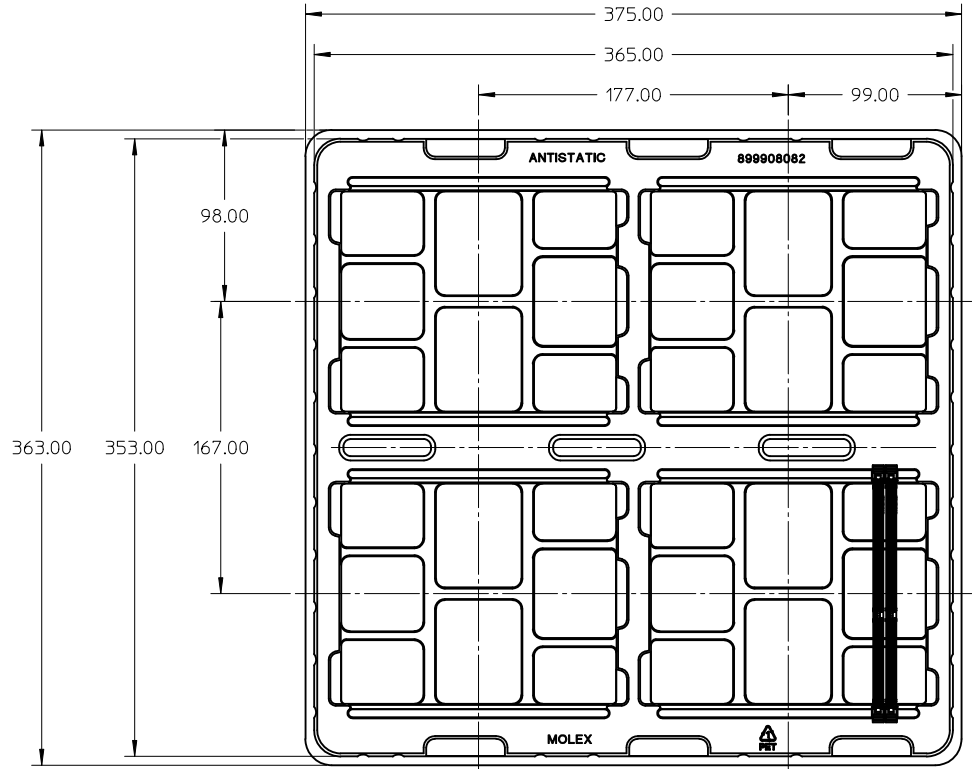
NOTES:  
 1. RECOMMENDED PLATING FOR CONTACT PADS:  
 PREFERRED: 0.76 MICROMETERS GOLD PLATING MIN OVER 2.00 MICROMETERS NICKEL  
 ALTERNATIVE: 0.05-0.75 MICROMETERS GOLD PLATING OVER 2.00 MICROMETERS NICKEL MUST USE AN ELECTRONIC CONTACT GRADE CORROSIVE BARRIER LUBRICANT  
 2. CHAMFER IS OPTIONAL AND IS NOT TO HIT THE GOLD PADS  
 3. LEADING EDGE OF GOLD PADS SPECIFIED BY KEEPOUT ZONE SHALL BE FREE OF BURRS AND EXTERNAL TIE BARS

FORKLOCK UPDATED EC NO: S2010-0888 DRWN: JAKEEW 2010/04/23 CHYD: CCTEH 2010/06/10 APPR: SHLENI 2010/06/13	DESCRIPTION QUALITY SYMBOLS $F_A=0$ $F_C=0$ $F_B=0$	GENERAL TOLERANCES (UNLESS SPECIFIED)		DIMENSION STYLE MM ONLY		SCALE NTS	DESIGN UNITS METRIC	THIRD ANGLE PROJECTION		
			mm	INCH	DRAWN BY YTYANG01	DATE 2007/09/24	TITLE DDR3 DIMM, 100MM PITCH 240 CKTS, VERTICAL, T/H LOW LLCR			
		4 PLACES	± ---	± ---	CHECKED BY CCTEH	DATE 2007/11/12	MOLEX INCORPORATED DOCUMENT NO. SD-78321-001 SHEET NO. 3 OF 7			
		3 PLACES	± ---	± ---	APPROVED BY SHLENI	DATE 2010/06/10				
2 PLACES	± 0.2	± ---	MATERIAL NO.		SEE TABLE					
1 PLACE	± ---	± ---	DRAFT WHERE APPLICABLE MUST REMAIN WITHIN DIMENSIONS		THIS DRAWING CONTAINS INFORMATION THAT IS PROPRIETARY TO MOLEX INCORPORATED AND SHOULD NOT BE USED WITHOUT WRITTEN PERMISSION					
10	REV									



NOTE:  
 1. KEEPOUT AREA IS THE AREA WHERE THE CONNECTOR (INCLUDING LATCH) IS MOUNTED ON PCB

FORKLOCK UPDATED EC NO: S2010-0888 DRWN: JAKEEWEW 2010/04/23 CHKD: CCTEH 2010/06/10 APPR: SHLENI 2010/06/13	QUALITY SYMBOLS	GENERAL TOLERANCES (UNLESS SPECIFIED)		DIMENSION STYLE MM ONLY		SCALE NTS	DESIGN UNITS METRIC	THIRD ANGLE PROJECTION
	$\nabla_A = 0$	mm	INCH	DRAWN BY YTYANG01	DATE 2007/09/24	TITLE DDR3 DIMM, 100MM PITCH 240 CKTS, VERTICAL, T/H LOW LLLCR		
	$\nabla_C = 0$	4 PLACES ± ---	± ---	CHECKED BY CCTEH	DATE 2007/11/12	MOLEX INCORPORATED DOCUMENT NO. SD-78321-001		
	$\nabla_P = 0$	3 PLACES ± ---	± ---	APPROVED BY SHLENI	DATE 2010/06/10			
		2 PLACES ± 0.2	± ---	MATERIAL NO. SEE TABLE		THIS DRAWING CONTAINS INFORMATION THAT IS PROPRIETARY TO MOLEX INCORPORATED AND SHOULD NOT BE USED WITHOUT WRITTEN PERMISSION		
		1 PLACE ± ---	± ---	DRAFT WHERE APPLICABLE MUST REMAIN WITHIN DIMENSIONS				



NOTES:  
1. QTY OF CAVITY : 20 X 4 = 80 PCS

FORKLOCK UPDATED EC NO: S2010-0888 DRWN: JAKEEWEW 2010/04/23 CHKD: CCTEH 2010/06/10 APPR: SHLENI 2010/06/13	QUALITY SYMBOLS $F_A=0$ $F_C=0$ $F_P=0$	GENERAL TOLERANCES (UNLESS SPECIFIED)		DIMENSION STYLE MM ONLY		SCALE NTS	DESIGN UNITS METRIC	THIRD ANGLE PROJECTION		
			mm	INCH	DRAWN BY YTYANG01	DATE 2007/09/24	TITLE DDR3 DIMM, 1.00MM PITCH 240 CKTS, VERTICAL, T/H LOW LLCR			
		4 PLACES	± ---	± ---	CHECKED BY CCTEH	DATE 2007/11/12	MOLEX INCORPORATED DOCUMENT NO. SD-78321-001 SHEET NO. 5 OF 7			
		3 PLACES	± ---	± ---	APPROVED BY SHLENI	DATE 2010/06/10				
2 PLACES	± 0.2	± ---	ANGULAR ± 1 °		DRAFT WHERE APPLICABLE MUST REMAIN WITHIN DIMENSIONS					
1 PLACE	± ---	± ---	SEE TABLE		THIS DRAWING CONTAINS INFORMATION THAT IS PROPRIETARY TO MOLEX INCORPORATED AND SHOULD NOT BE USED WITHOUT WRITTEN PERMISSION					

ASSEMBLY PART NO.	VOLTAGE KEY	DIM 'P'	FORKLOCK LENGTH	RECOMMENDED PCB THICKNESS	PLATING OPTION	HOUSING COLOUR	LATCH COLOUR	PRODUCT SPECIFICATION
78321-0011	CENTRE (1.5V)	2.67	3.94	1.57	0.76 MICROMETER/ 30 MICROINCH MIN. GOLD ON CONTACT 2.54 MICROMETER/ 100 MICROINCH MIN. PURE TIN (MATTE) ON SOLDER TAILS 1.27 MICROMETER/ 50 MICROINCH MIN. NICKEL UNDERPLATE	BLACK	BLACK	PS-78321-001
78321-0016							NATURAL (OFF-WHITE)	
78321-0013							BLACK	
78321-0017		NATURAL (OFF-WHITE)						
78321-0012		BLACK						
78321-0018		NATURAL (OFF-WHITE)						
78321-0001		2.67	3.94	1.57	0.38 MICROMETER/ 15 MICROINCH MIN. GOLD ON CONTACT 2.54 MICROMETER/ 100 MICROINCH MIN. PURE TIN (MATTE) ON SOLDER TAILS 1.27 MICROMETER/ 50 MICROINCH MIN. NICKEL UNDERPLATE		BLACK	PS-78321-002
78321-0006							NATURAL (OFF-WHITE)	
78321-0003							BLACK	
78321-0007		NATURAL (OFF-WHITE)						
78321-0002		BLACK						
78321-0008		NATURAL (OFF-WHITE)						

<b>FORKLOCK UPDATED</b> EC NO: S2010-0888 DRWN: JAKEEW 2010/04/23 CHKD: CCTEH 2010/06/10 APPR: SHLENI 2010/06/13	QUALITY SYMBOLS	GENERAL TOLERANCES (UNLESS SPECIFIED)	DIMENSION STYLE	SCALE	DESIGN UNITS	THIRD ANGLE PROJECTION
	$\nabla_A = 0$ $\nabla_C = 0$ $\nabla_P = 0$	mm    INCH	MM ONLY	NTS	METRIC	
	4 PLACES ± --- ± --- 3 PLACES ± --- ± --- 2 PLACES ± 0.2 ± --- 1 PLACE ± --- ± ---	DRAWN BY: YTYANG01 DATE: 2007/09/24 CHECKED BY: CCTEH DATE: 2007/11/12 APPROVED BY: SHLENI DATE: 2010/06/10	TITLE	DDR3 DIMM, 1.00MM PITCH 240 CKTS, VERTICAL, T/H LOW LLCR		
	ANGULAR ± 1 °	MATERIAL NO.	DOCUMENT NO.	MOLEX INCORPORATED		
10	DRAFT WHERE APPLICABLE MUST REMAIN WITHIN DIMENSIONS	SIZE	SEE TABLE	SD-78321-001		SHEET NO. 6 OF 7
		THIS DRAWING CONTAINS INFORMATION THAT IS PROPRIETARY TO MOLEX INCORPORATED AND SHOULD NOT BE USED WITHOUT WRITTEN PERMISSION				

ASSEMBLY PART NO.	VOLTAGE KEY	DIM 'P'	FORKLOCK LENGTH	RECOMMENDED PCB THICKNESS	PLATING OPTION	HOUSING COLOUR	LATCH COLOUR	PRODUCT SPECIFICATION	
78321-0051	CENTRE (1.5V)	3.18	3.18	2.36	0.76 MICROMETER/ 30 MICROINCH MIN. GOLD ON CONTACT 2.54 MICROMETER/ 100 MICROINCH MIN. PURE TIN (MATTE) ON SOLDER TAILS 1.27 MICROMETER/ 50 MICROINCH MIN. NICKEL UNDERPLATE	BLACK	NATURAL (OFF-WHITE)	PS-78321-001	
78321-0052						NATURAL (OFF-WHITE)			
78321-0053						BLUE			
78321-0055						GREEN			
78321-0151						BLACK			
78321-0152						NATURAL (OFF-WHITE)			
78321-0153		BLUE							
78321-0155		GREEN							
78321-0061		2.67	3.18	3.18		0.38 MICROMETER/ 15 MICROINCH MIN. GOLD ON CONTACT 2.54 MICROMETER/ 100 MICROINCH MIN. PURE TIN (MATTE) ON SOLDER TAILS 1.27 MICROMETER/ 50 MICROINCH MIN. NICKEL UNDERPLATE			BLACK
78321-0062									NATURAL (OFF-WHITE)
78321-0063									BLUE
78321-0065									GREEN
78321-0161					BLACK				
78321-0162					NATURAL (OFF-WHITE)				
78321-0163		BLUE							
78321-0165		GREEN							
78321-0261		3.18	3.18	3.18	0.38 MICROMETER/ 15 MICROINCH MIN. GOLD ON CONTACT 2.54 MICROMETER/ 100 MICROINCH MIN. PURE TIN (MATTE) ON SOLDER TAILS 1.27 MICROMETER/ 50 MICROINCH MIN. NICKEL UNDERPLATE		BLACK	BLACK	PS-78321-002
78321-0262							NATURAL (OFF-WHITE)		
78321-0263							BLUE		
78321-0265							GREEN		
78321-0361						BLACK			
78321-0362						NATURAL (OFF-WHITE)			
78321-0363		BLUE							
78321-0365		GREEN							

<b>FORKLOCK UPDATED</b> EC NO: S2010-0888 DRWN: JAKEEW 2010/04/23 CHKD: CCTEH 2010/06/10 APPR: SHLENI 2010/06/13	QUALITY SYMBOLS	GENERAL TOLERANCES (UNLESS SPECIFIED)	DIMENSION STYLE	SCALE	DESIGN UNITS	THIRD ANGLE PROJECTION	
	$F_A=0$ $F_G=0$ $F_P=0$	mm      INCH 4 PLACES ± --- ± --- 3 PLACES ± --- ± --- 2 PLACES ± 0.2 ± --- 1 PLACE ± --- ± --- ANGULAR ± 1 °	MM ONLY	NTS	METRIC		
	DESCRIPTION		DRAWN BY	DATE	TITLE		
			YTYANG01	2007/09/24	DDR3 DIMM, 1.00MM PITCH 240 CKTS, VERTICAL, T/H LOW LLCR		
		CCTEH	2007/11/12	APPROVED BY			
		SHLENI	2010/06/10	DATE			
				MATERIAL NO.			
				DOCUMENT NO.			
				SHEET NO.			
				SEE TABLE			
				SD-78321-001			
				7 OF 7			
				THIS DRAWING CONTAINS INFORMATION THAT IS PROPRIETARY TO MOLEX INCORPORATED AND SHOULD NOT BE USED WITHOUT WRITTEN PERMISSION			

Компания «Океан Электроники» предлагает заключение долгосрочных отношений при поставках импортных электронных компонентов на взаимовыгодных условиях!

Наши преимущества:

- Поставка оригинальных импортных электронных компонентов напрямую с производств Америки, Европы и Азии, а так же с крупнейших складов мира;
- Широкая линейка поставок активных и пассивных импортных электронных компонентов (более 30 млн. наименований);
- Поставка сложных, дефицитных, либо снятых с производства позиций;
- Оперативные сроки поставки под заказ (от 5 рабочих дней);
- Экспресс доставка в любую точку России;
- Помощь Конструкторского Отдела и консультации квалифицированных инженеров;
- Техническая поддержка проекта, помощь в подборе аналогов, поставка прототипов;
- Поставка электронных компонентов под контролем ВП;
- Система менеджмента качества сертифицирована по Международному стандарту ISO 9001;
- При необходимости вся продукция военного и аэрокосмического назначения проходит испытания и сертификацию в лаборатории (по согласованию с заказчиком);
- Поставка специализированных компонентов военного и аэрокосмического уровня качества (Xilinx, Altera, Analog Devices, Intersil, Interpoint, Microsemi, Actel, Aeroflex, Peregrine, VPT, Syfer, Eurofarad, Texas Instruments, MS Kennedy, Miteq, Cobham, E2V, MA-COM, Hittite, Mini-Circuits, General Dynamics и др.);

Компания «Океан Электроники» является официальным дистрибьютором и эксклюзивным представителем в России одного из крупнейших производителей разъемов военного и аэрокосмического назначения «JONHON», а так же официальным дистрибьютором и эксклюзивным представителем в России производителя высокотехнологичных и надежных решений для передачи СВЧ сигналов «FORSTAR».



## JONHON

«JONHON» (основан в 1970 г.)

Разъемы специального, военного и аэрокосмического назначения:

(Применяются в военной, авиационной, аэрокосмической, морской, железнодорожной, горно- и нефтедобывающей отраслях промышленности)

«FORSTAR» (основан в 1998 г.)

ВЧ соединители, коаксиальные кабели, кабельные сборки и микроволновые компоненты:

(Применяются в телекоммуникациях гражданского и специального назначения, в средствах связи, РЛС, а так же военной, авиационной и аэрокосмической отраслях промышленности).



Телефон: 8 (812) 309-75-97 (многоканальный)

Факс: 8 (812) 320-03-32

Электронная почта: [ocean@oceanchips.ru](mailto:ocean@oceanchips.ru)

Web: <http://oceanchips.ru/>

Адрес: 198099, г. Санкт-Петербург, ул. Калинина, д. 2, корп. 4, лит. А