

Click [here](#) for production status of specific part numbers.

MAX77324

4.8V_{IN}, 1.5A High-Efficiency, Ultra-Small Buck Converter

General Description

The MAX77324 is a single channel high-efficiency synchronous step-down (buck) converter capable of delivering up to 1.5A of current. With a 6.89mm² total solution size, up to 93% efficiency, and 40μA quiescent current, it is optimized for portable space constrained battery-operated applications.

The device operates over a 2.5V to 4.8V input voltage range to support Li+ battery powered applications. The output voltage is adjustable from 0.6V to 2V, with a better than 2% accuracy over the whole temperature range. The device uses constant-on-time PWM control scheme. A nominal 2MHz switching frequency reduces the overall solution footprint by use of small 0603 inductor. An automatic SKIP mode is also implemented to improve the light-load efficiency. The device provides low output voltage ripple, excellent line and load regulation, and transient response. A dedicated enable pin allows for simple hardware control.

Built-in undervoltage lockout (UVLO), soft-start, active output discharge, cycle-by-cycle short-circuit, and thermal shutdown protections insure safe operations under abnormal operating conditions.

The device is available in a space-saving 1.22mm x 0.85mm, 6-bump wafer-level package (WLP).

Benefits and Features

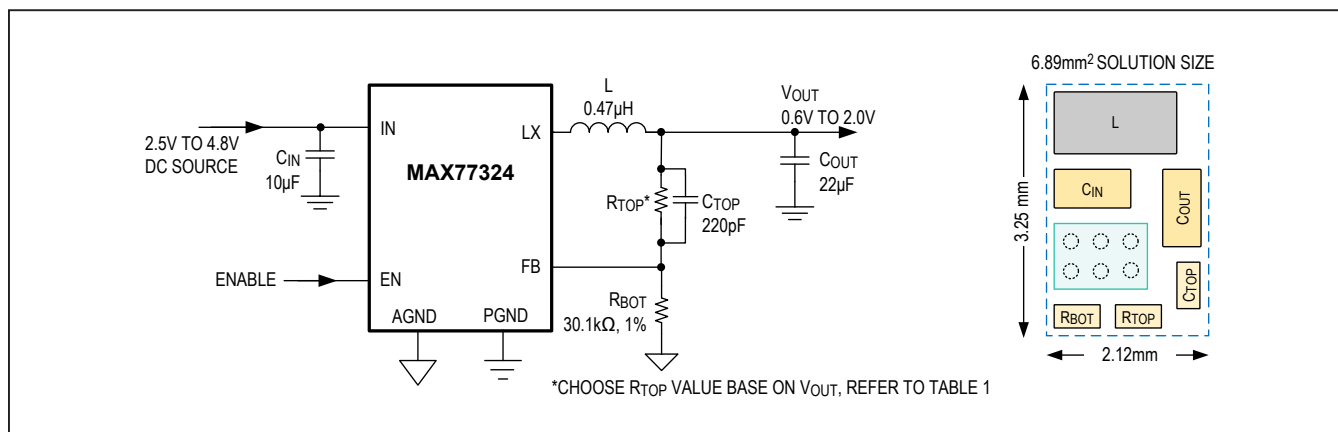
- 1.5A Output Current Step-down Converter
- 2.5V to 4.8V V_{IN} Range
- 0.6V to 2V Adjustable V_{OUT} Range, ±2% Accuracy
- 93% Peak Efficiency (3.8V_{IN}, 1.8V_{OUT})
 - SKIP Mode for Higher Light-Load Efficiency
 - 40μA Quiescent Current
 - 1μA Shutdown Current
- 2MHz Nominal Switching Frequency
- Enable Pin for Direct Hardware Control
- Cycle-by-Cycle Inductor Current Limit
- UVLO, Soft-Start, Active Output Discharge, Short-Circuit, and Thermal Shutdown Protections
- 1.22mm x 0.85mm, 6-Bump WLP
 - 6.89mm² Total Solution Area
 - Uses Small 0603 0.47μH Inductor

Applications

- 1-Cell Battery Powered Equipment
- Portable/Wearables
- Internet of Things (IoT) Devices
- Space Constrained Equipment

Ordering Information appears at end of data sheet.

1-Cell to Core Voltage Buck Converter Application Circuit



Absolute Maximum Ratings

V _{IN} to PGND	-0.3V to 5.5V	Operating Temperature Range.....	-40°C to +85°C
EN to AGND	-0.3V to V _{IN} +0.3V	Junction Temperature.....	+150°C
PGND to AGND.....	-0.3V to +0.3V	Storage Temperature Range.....	-40°C to +150°C
FB to AGND.....	-0.3V to V _{IN} +0.3V	Soldering Temperature (reflow).....	+260°C
LX Continuous Current (Note 1).....	1.6A _{RMS}		
Continuous Power Dissipation (Multilayer Board, T _A = +70°C) (derate 10.51mW/°C above +70°C)	841mW		

Note 1: LX has internal clamp diodes to PGND and V_{IN}. Applications that forward bias these diodes should not exceed the ICs package power dissipation limits.

Stresses beyond those listed under "Absolute Maximum Ratings" may cause permanent damage to the device. These are stress ratings only, and functional operation of the device at these or any other conditions beyond those indicated in the operational sections of the specifications is not implied. Exposure to absolute maximum rating conditions for extended periods may affect device reliability.

Package Information

6 WLP

Package Code	W60H1+1
Outline Number	21-100206
Land Pattern Number	Refer to Application Note 1891
Thermal Resistance, Four-Layer Board:	
Junction to Ambient (θ _{JA})	95.15°C/W

For the latest package outline information and land patterns (footprints), go to www.maximintegrated.com/packages. Note that a "+", "#", or "-" in the package code indicates RoHS status only. Package drawings may show a different suffix character, but the drawing pertains to the package regardless of RoHS status.

Package thermal resistances were obtained using the method described in JEDEC specification JESD51-7, using a four-layer board. For detailed information on package thermal considerations, refer to www.maximintegrated.com/thermal-tutorial.

Electrical Characteristics

(V_{IN} = 3.8V, V_{FB} = 0.6V, typicals are at T_A = +25°C. Limits are 100% production tested at T_A = +25°C. Limits over the operating temperature range (T_A = -40°C to +85°C) are guaranteed by design and characterization, unless otherwise noted.)

PARAMETER	SYMBOL	CONDITIONS	MIN	TYP	MAX	UNITS
Input Voltage Range	V _{IN}		2.5		4.8	V
Input Undervoltage Lockout	V _{IN_UVLO_R}	V _{IN} rising	2.605	2.65	2.695	V
	V _{IN_UVLO_F}	V _{IN} falling	2.25	2.3	2.35	
Shutdown Supply Current	I _{SHDN_85C}	EN = LOW, T _A = -40°C to +85°C		1		µA
	I _{SHDN_25C}	EN = LOW, T _A = +25°C	-1	+0.1	+1	
Supply Quiescent Current	I _{Q_SKIP}	No switching, no load, leakage from EN is not included		40		µA
FB Voltage Accuracy	V _{FB}	No load, PWM mode	0.588	0.6	0.612	V
FB Input Current	I _{FB}		-0.7		+0.7	µA

Electrical Characteristics (continued)

(V_{IN} = 3.8V, V_{FB} = 0.6V, typicals are at T_A = +25°C. Limits are 100% production tested at T_A = +25°C. Limits over the operating temperature range (T_A = -40°C to +85°C) are guaranteed by design and characterization, unless otherwise noted.)

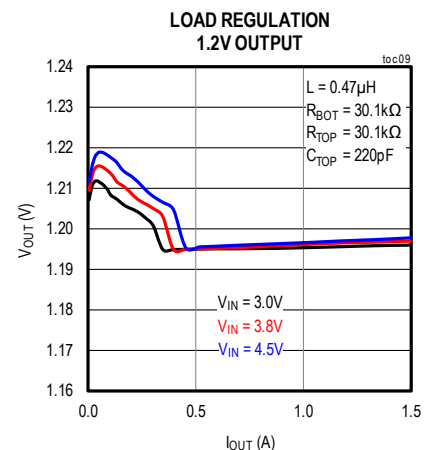
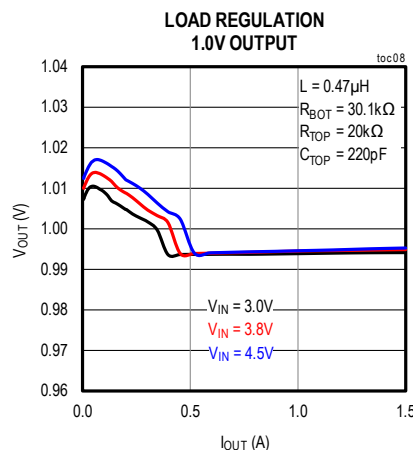
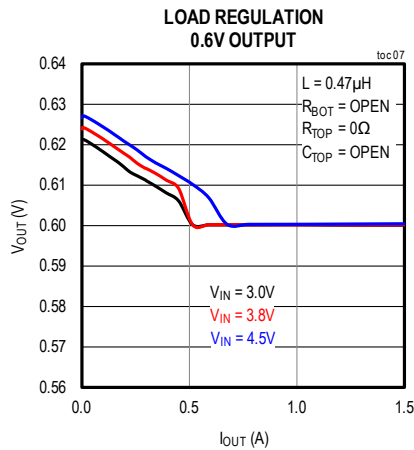
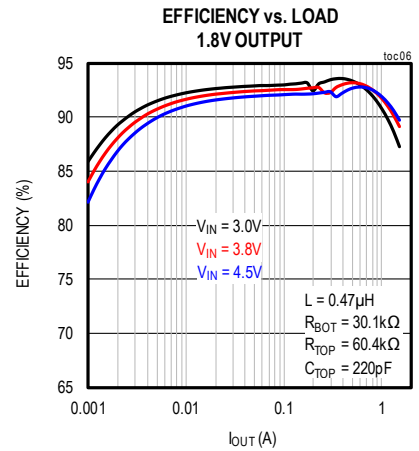
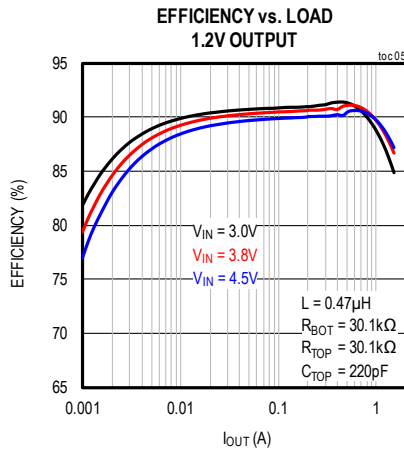
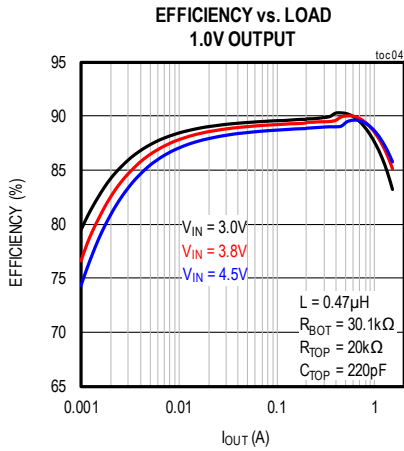
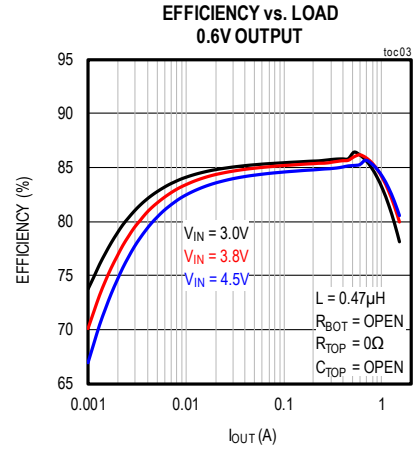
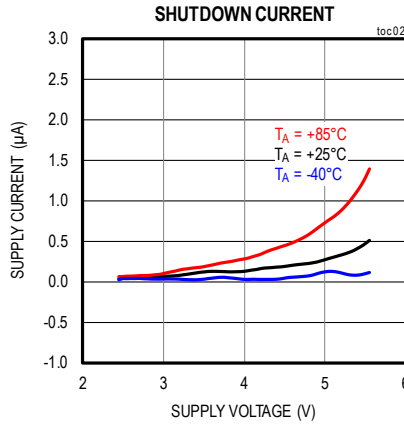
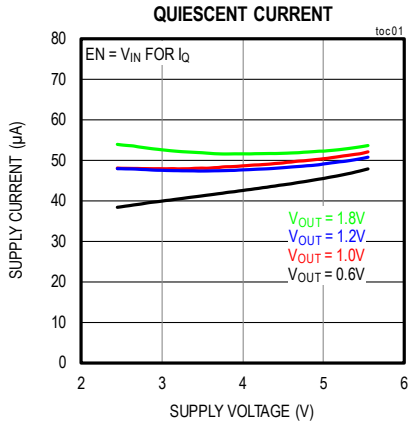
PARAMETER	SYMBOL	CONDITIONS	MIN	TYP	MAX	UNITS
Output Voltage Ripple	V _{OUT_PP_SKIP}	C _{OUT} = 8μF (derated capacitance), skip region of operation V _{OUT} = 1.2V (Note 2)		20		mV
	V _{OUT_PP_PWM}	C _{OUT} = 8μF (derated capacitance), PWM region of operation (Note 2)		10		
Line Regulation	V _{LINE}	V _{IN} = 2.5V to 4.8V		0.2		%/V
Load Regulation	V _{LOAD}	(Note 2)		0.185		%/A
Line Transient Response	V _{OS1} , V _{US1}	I _{OUT} = 750mA, V _{IN} changes from 3.4V to 2.9V in 25μs (20mV/μs), L = 0.47μH, C _{OUT_NOM} = 22μF (Note 2)		30		mV
Load Transient Response	V _{OS2} , V _{US2}	I _{OUT} changes from 0A to 750mA in 6μs, L = 0.47μH, C _{OUT_NOM} = 22μF (Note 2)		30		mV
Soft-Start Slew Rate		Regulated at FB pin, V _{OUT} = 0.6V, see the <i>Soft-Start</i> section for more details (Note 2)		2.34		mV/μs
Peak Current Limit	I _{LIM_PEAK}		2.63	3.00	3.37	A
Valley Current Limit	I _{LIM_VALLEY}			1.1		A
NMOS Zero-Crossing Threshold	I _{ZX}	Skip region of operation		30		mA
High-Side PMOS ON Resistance	R _{DSON_HS}	IN to LX, I _{TEST} = -150mA		100		mΩ
Low-Side NMOS ON Resistance	R _{DSON_LS}	LX to PGND, I _{TEST} = 150mA		50		mΩ
Switching Frequency	f _{SW}	V _{OUT} = 1V, I _{OUT} = 1A		2		MHz
Turn-On Delay Time	t _{ON_DLY}	From EN asserting to LX switching (Note 2)		220		μs
Minimum Effective Output Capacitance	C _{EFF_MIN}	0mA ≤ I _{OUT} ≤ 1.5A (Note 2)	8			μF
Output Active Discharge Resistance	R _{DISCHG}	Resistance from LX to PGND, EN = 0V		100		Ω
LX Leakage Current	I _{LK_25C}	V _{LX} = 0V or 4.8V, T _A = +25°C	-1	0.1	+1	μA
	I _{LK_85C}	V _{LX} = 0V or 4.8V, T _A = +85°C (Note 3)		1		
Thermal Shutdown	T _{SHDN}	Rising, 15°C hysteresis		165		°C
EN Logic High Threshold	V _{EN_HI}	T _A = +25°C	1.2			V
EN Logic Low Threshold	V _{EN_LO}	T _A = +25°C			0.4	V
EN Pulldown Resistance	R _{PD}	Pulldown resistance from EN to AGND	250	500	1000	kΩ

Note 2: Guaranteed by design. Not production tested.

Note 3: Guaranteed by ATE characterization. Not directly tested in production.

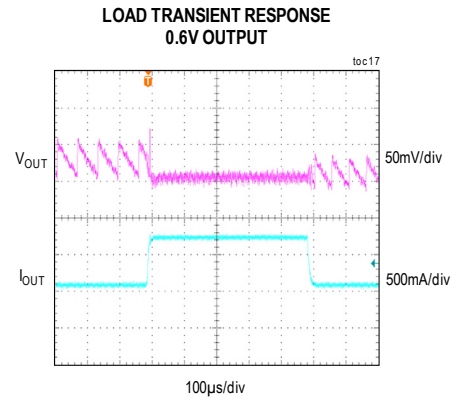
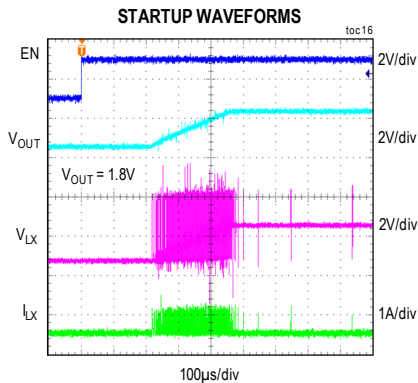
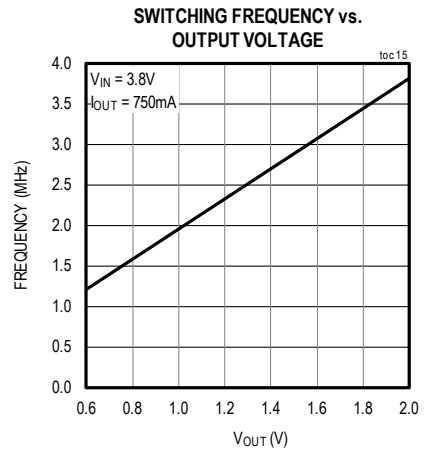
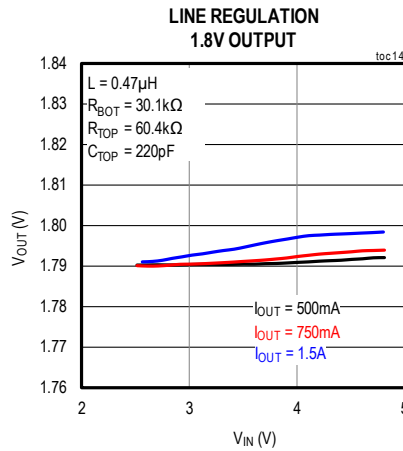
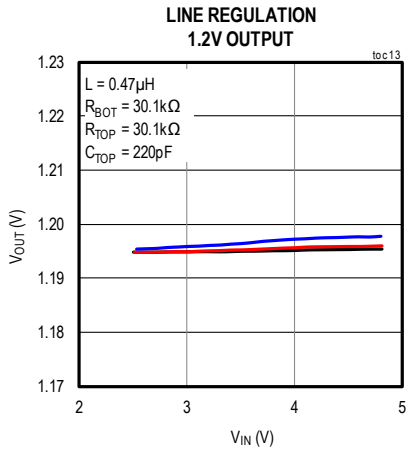
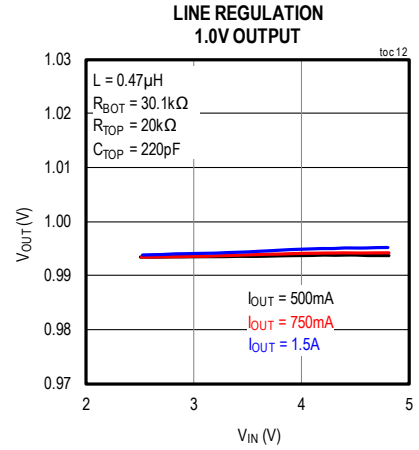
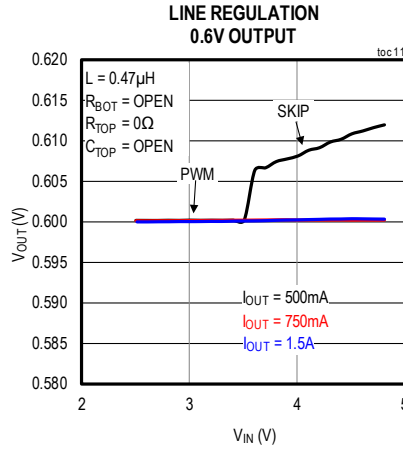
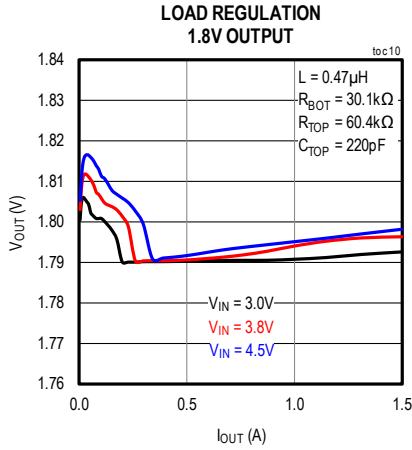
Typical Operating Characteristics

(V_{IN} = +3.8V, T_A = +25°C, unless otherwise noted. Inductor part number: GLULKR4701A.



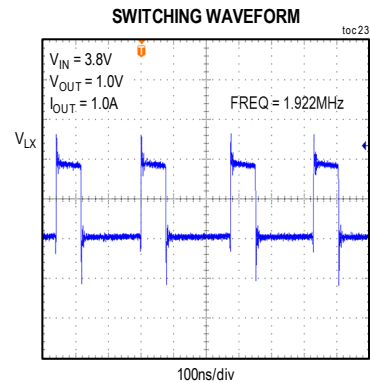
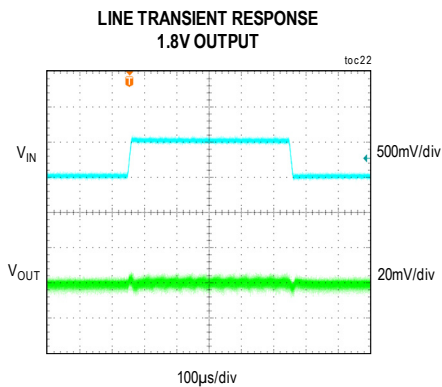
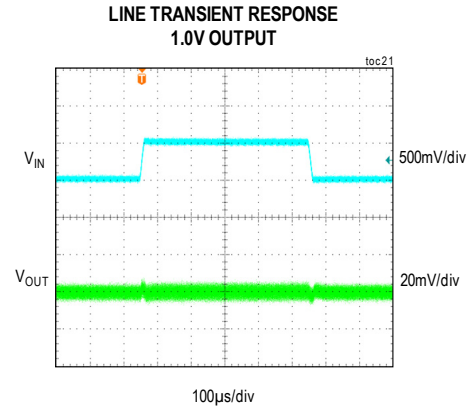
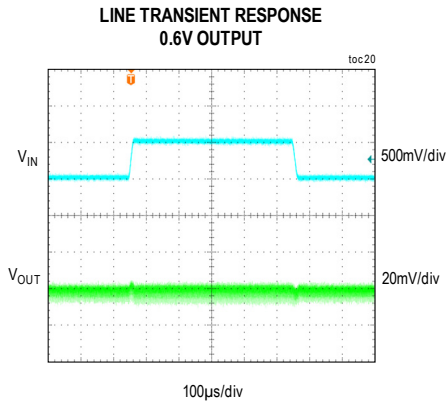
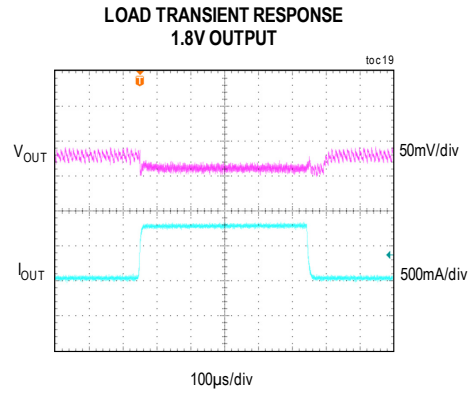
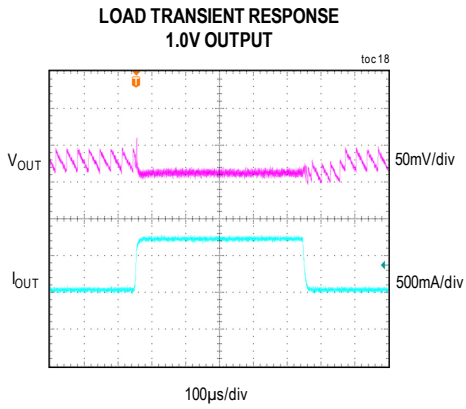
Typical Operating Characteristics (continued)

(V_{IN} = +3.8V, T_A = +25°C, unless otherwise noted. Inductor part number: GLULKR4701A.



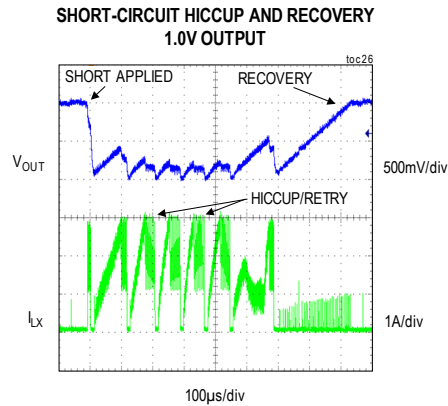
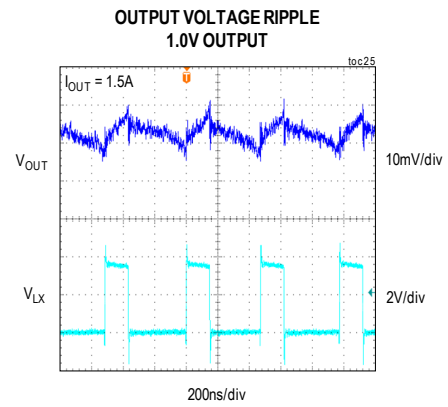
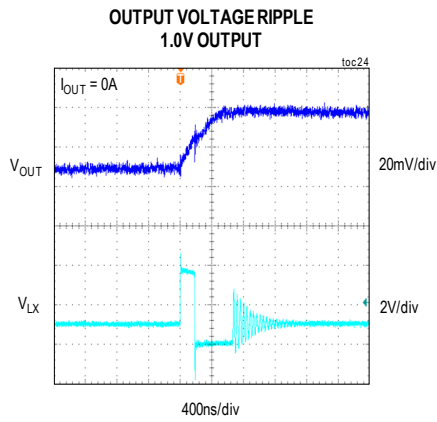
Typical Operating Characteristics (continued)

(V_{IN} = +3.8V, T_A = +25°C, unless otherwise noted. Inductor part number: GLULKR4701A.)

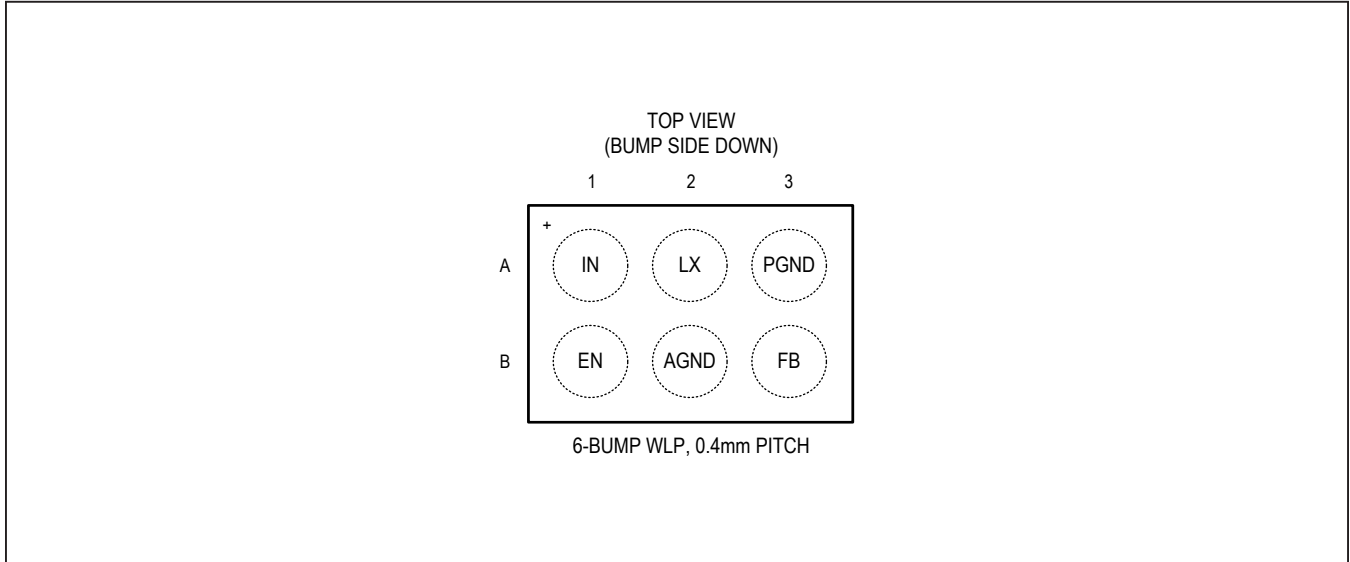


Typical Operating Characteristics (continued)

(V_{IN} = +3.8V, T_A = +25°C, unless otherwise noted. Inductor part number: GLULKR4701A.)



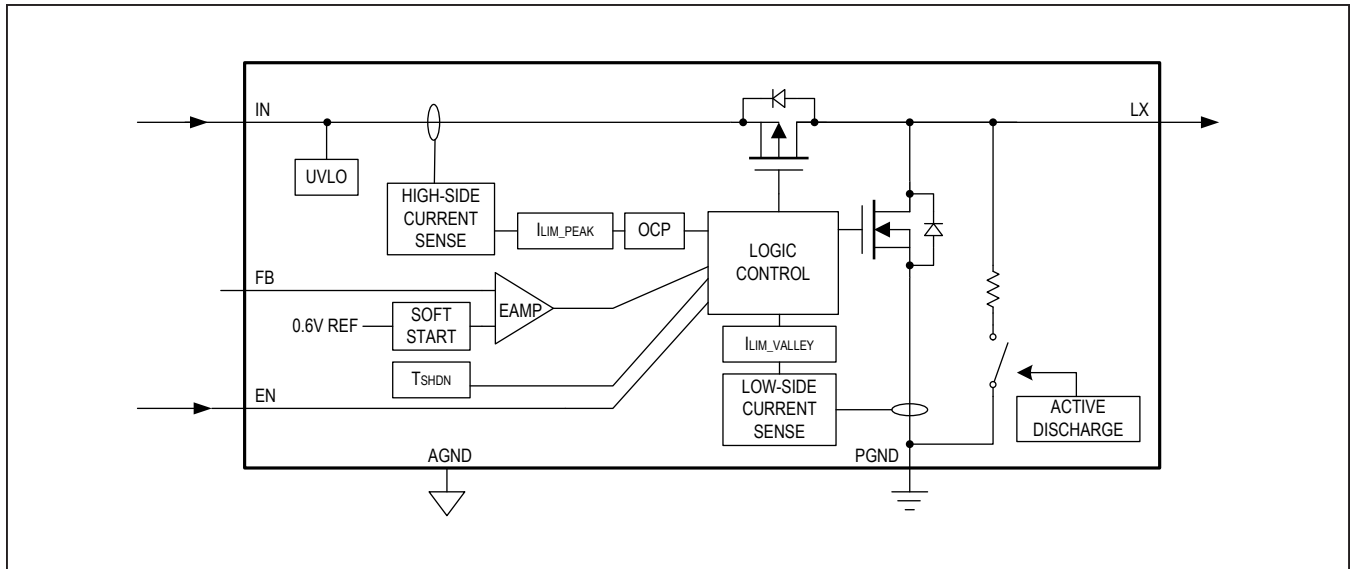
Pin Configuration



Pin Description

PIN	NAME	FUNCTION
A1	IN	Power Input. Bypass to PGND with a 10µF ceramic capacitor.
A2	LX	Buck Switching Node
A3	PGND	Power Ground. Connect to AGND on the PCB.
B1	EN	Active-High Buck Enable Input. An 500kΩ internal pulldown resistance to AGND. Drive EN low to disable the device. Drive EN high to enable the device.
B2	AGND	Analog Ground. Connect to PGND on the PCB.
B3	FB	Feedback Input. Connect FB to the center tap of an external resistor-divider from the output to AGND to set the output voltage. See the <i>Setting the Output Voltage</i> section for more details.

Simplified Block Diagram



Detailed Description

The MAX77324 is a high-efficiency synchronous step-down converter with integrated MOSFETs that operates over a 2.5V to 4.8V input voltage range. The device supports up to 1.5A of load current. The device uses external feedback resistors to set the output between 0.6V to 2.0V.

The device automatically transitions between PWM and SKIP modes of operation when the load condition changes. SKIP mode improves system light-load efficiency, while PWM mode maintains a constant-on-time switching. In SKIP mode, the device draws only 40 μ A of quiescent current from the supply input. In shutdown mode, the current consumption is reduced to less than 1 μ A.

An internal synchronous rectifier improves efficiency and eliminates the need for an external Schottky freewheeling diode. On-chip current sensing uses the on-resistance of the internal MOSFETs, eliminating current-sensing resistors and improving efficiency.

A soft-start voltage ramp reduces inrush current during startup. The enable (EN) pin turns on/off the device.

Buck Converter Control Scheme

The device uses Maxim's proprietary Quick-PWM™ quick-response, constant-on-time PWM control scheme. This control scheme handles wide input/output voltage ratios with ease and provides immediate response to load transients, while maintaining a pseudo constant switching frequency.

Quick-PWM is a trademark of Maxim Integrated Products, Inc.

During the first half of the switching cycle (on-time), current ramps up through the inductor, sourcing current to the output, and storing energy in a magnetic field.

During the second half of the switching cycle (off-time), the internal high-side MOSFET turns off and the internal low-side MOSFET turns on. The inductor releases the stored energy as its current ramps down and provides current to the output. The output capacitor stores a charge when the inductor current exceeds the load current and discharges when the inductor current is lower than load current, smoothing the voltage across the load.

Enable Control (EN)

Raise EN above V_{EN_HI} (1.2V min) to enable the buck converter. Lower EN below V_{EN_LO} (0.4V max) to disable the buck.

Whenever the buck is enabled and V_{IN} is higher than $V_{IN_UVLO_R}$, the output voltage soft-starts. Soft-start avoids excessive supply inrush current and prevents supply voltage drop.

Driving EN low disables the switching and the output is discharged with a typical discharge resistor of 100 Ω from FB pin to PGND. The same happens when the device gets disabled by thermal shutdown or when input UVLO triggers.

Shutdown Mode

Pulling the EN pin low causes the device to enter shutdown mode. In this mode, the device consumes less than 1µA. In shutdown mode, the LX pin is tied to PGND through the 100Ω active discharge resistor.

Current Sense and Current Limit

The current-sense circuit amplifies the current-sense voltage generated by the high-side MOSFET's on-resistance and the inductor current ($R_{DS(ON)} \times I_L$).

The internal high-side MOSFET has a current limit of 3A (typ). If the current flowing out of LX exceeds this maximum, the high-side MOSFET turns off and the low-side MOSFET turns on. This lowers the duty cycle and causes the output voltage to droop until the current limit is no longer exceeded. There is also a low-side MOSFET zero-crossing current threshold of 30mA (typ) under skip region of operation, to protect the device from current flowing into LX. If the current in the low-side MOSFET falls below 30mA, the low-side MOSFET turns off, and the inductor current continues to flow through the high-side MOSFET body diode back to the input until the beginning of the next cycle, or until the inductor current drops to zero.

SKIP/PWM Operation

The device automatically transitions from SKIP to fixed frequency operation as load current increases.

In the PWM region of operation, the device operates with a nominal switching frequency of 2MHz. In the SKIP region, the device skip pulses at light loads for high efficiency. The advantage of the SKIP mode is higher efficiency at light loads because of the lower quiescent current drawn from the supply.

Protection Features

Undervoltage Lockout (UVLO)

The device supports an UVLO feature that prevents operations in case of low input voltage conditions. Regardless of the EN pin status, the device is disabled until the input voltage V_{IN} rises above the $V_{IN_UVLO_R}$ threshold or V_{IN} falls below the $V_{IN_UVLO_F}$ threshold.

Operations are halted until this condition is resolved.

Soft-Start

When starting up the device, the bias circuitry must be enabled and provided with adequate time to settle. The bias circuitry is guaranteed to settle within 220µs, then the BUCK converter's soft-start operation begins.

During the soft-start period, the ramping-up slew rate is regulated at the FB pin (typical 2.34mV/µs). To calculate the soft-start slew rate at V_{OUT} , use the following equation:

$$SR_{SS_VOUT} = \frac{R_{TOP} + R_{BOT}}{R_{BOT}} \times SR_{SS_FB}$$

To calculate the soft-start time, use the following equation:

$$t_{SS} = \frac{V_{OUT}}{SR_{SS_VOUT}}$$

The soft-start feature limits the inrush current during startup.

Pre-Bias Output Startup

The device supports starting up into a pre-biased output. If the output is at a pre-biased voltage, which is less than the target output voltage, the device ramps up the output voltage monotonically at the preset 2.34mV/µs (typ) FB slew-rate from the pre-biased level to the target level. If the output is at a pre-biased voltage which exceeds the target output voltage, no switching happens during the soft-start period.

Output Active Discharge

The device provides an internal 100Ω resistor from LX to PGND for output active discharge function. The internal resistor discharges the energy stored in the output capacitor to GND whenever the converter is disabled.

Over-Current Protection (OCP)

The device features a robust OCP scheme that protects the device and inductor under overload and output short-circuit conditions. A cycle-by-cycle peak current limit turns off the high-side MOSFET and turns on the low-side MOSFET whenever the high-side MOSFET current exceeds the internal peak current limit. The low-side MOSFET remains on until the inductor current reduces to the valley current limit. After that, the high-side MOSFET is turned on again and the cycle repeats.

The buck stops switching if eight consecutive on-times are ended by current limit. After switching stops, the buck waits for 8µs before attempting to soft-start again. This prevents inductor current from increasing uncontrollably due to the short-circuited output.

Thermal Shutdown

Thermal protection limits total power dissipation and protects the device from damage in case of an overload or short-circuit condition. The device has a thermal protection circuit which monitors temperature on the die. If the die temperature exceeds 165°C (T_{SHDN}), a thermal shutdown event is initiated and the buck is disabled. The active discharge resistor is enabled when the device is disabled through thermal shutdown. After the thermal shutdown, if the die temperature reduces by 15°C, the buck is re-enabled.

Applications Information

Setting the Output Voltage

The device uses resistors to set the output voltage between 0.6V and 2V. Connect a resistor divider between V_{OUT}, FB, and AGND as shown in Figure 1. Choose R_{BOT} (FB to AGND) to be less than or equal to 30kΩ. One percent accuracy resistors are highly recommended to keep the accuracy of V_{OUT}. Calculate the value of R_{TOP} (V_{OUT} to FB) for a desired output voltage with Equation 1.

Equation 1:

$$R_{TOP} = R_{BOT} \times \left[\frac{V_{OUT}}{V_{FB}} - 1 \right]$$

where V_{FB} is 0.6V and V_{OUT} is the desired output voltage. C_{TOP} is to maintain the stability of the device. Suggest C_{TOP} to be 220pF for the full operation range of the device.

Enable the Device

The device is enabled by raising EN above V_{EN_HI} (1.2V min).

Table 1. Set the Output Voltage

V _{OUT} (V)	R _{TOP} (kΩ)	R _{BOT} (kΩ)	C _{TOP} (PF)
0.6	Short	Open	Open
0.85	12.4	30.1	220
0.9	15	30.1	220
0.95	17.8	30.1	220
1.0	20	30.1	220
1.1	24.8	30.1	220
1.2	30.1	30.1	220
1.35	37.4	30.1	220
1.5	45.3	30.1	220
1.8	60.4	30.1	220
2.0	69.8	30.1	220

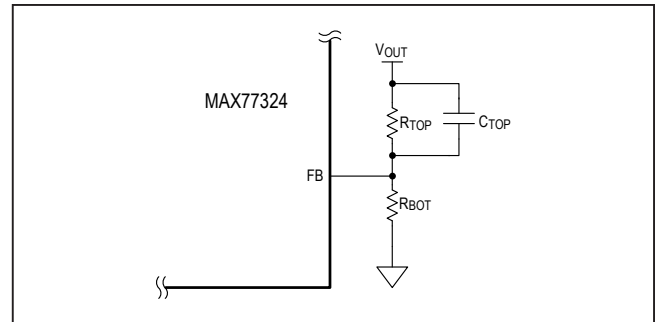


Figure 1. Setting the Output Voltage for MAX77324

Self-Enabled Operations

Automatic self-enabling operation is possible with the device. Tying the EN pin directly to V_{IN} enables the device as soon as V_{IN} reaches the UVLO rising threshold, at which point the internal bias circuitry is initialized, and soft-start is initiated.

Input and Output Capacitor Selection

Choose C_{IN} to be a 10μF nominal capacitor. Larger values improve the decoupling for the buck converter, but increase inrush current from the voltage supply when connected. C_{IN} reduces the current peaks drawn from the input power source during buck operation and reduces switching noise in the system. The ESR/ESL of C_{IN} and its series PCB traces should be very low (i.e., < 15mΩ + < 2nH) for frequencies up to 2MHz. Ceramic capacitors with X5R or X7R dielectric are highly recommended due to their small size, low ESR, and small temperature coefficients.

Choose the C_{IN} capacitor voltage rating to be greater than the expected input voltage of the system.

Choose the output bypass capacitance (C_{OUT}) to be 22μF. Larger values of C_{OUT} improve load transient performance, but increase the input surge currents during soft-start and output voltage changes. The output filter capacitor must have low enough ESR to meet output ripple and load transient requirements. The output capacitance must be high enough to absorb the inductor energy while transitioning from full-load to no load conditions. When using high-capacitance, low-ESR capacitors, the filter capacitor's ESR dominates the output voltage ripple in continuous conduction mode. Therefore, the size of the output capacitor depends on the maximum ESR required to meet the output voltage ripple (V_{RIPPLE(P-P)}) specifications:

$$V_{RIPPLE(P-P)} = ESR \times I_{LOAD} \times LIR$$

where LIR is the inductor's ripple current to average current ratio. Compute LIR with Equation 2.

Equation 2:

$$LIR = \frac{V_{OUT} \times (V_{IN} - V_{OUT})}{V_{IN} \times f_{SW} \times I_{LOAD} \times L}$$

Where I_{LOAD} is the buck's output current in the particular application (1.5A, max), V_{IN} is the application's input voltage, and F_{SW} is 2MHz. Ceramic capacitors with X5R or X7R dielectric are highly recommended due to their small size, low ESR, and small temperature coefficients.

All ceramic capacitors derate with DC bias voltage (effective capacitance goes down as DC bias goes up). Generally, small case size capacitors derate heavily compared to larger case sizes (0603 case size performs better than 0402). Consider the effective capacitance value carefully by consulting the manufacturer's data sheet.

Inductor Selection

Select an inductor with a saturation current rating greater than or equal to the maximum peak current limit (I_{LIM-PEAK}) of 3.37A. In general, inductors with lower saturation current and higher DCR ratings are physically small. Higher values of DCR reduce buck efficiency. Choose the RMS current rating of the inductor (the current at which the temperature rises appreciably) based on the expected load current.

The chosen inductor value should ensure that the peak inductor ripple current (I_{PEAK}) is below the high-side MOSFET peak current limit (I_{LIM-PEAK}) so that the buck can maintain regulation. A 0.47µF value of inductor is recommended through the operation range of the device.

Use Equation 3 and Equation 4 to compute I_{PEAK}. If I_{PEAK} is greater than I_{LIM-PEAK}, then increase the inductor value.

Equation 3:

$$I_{P-P} = \frac{V_{OUT} \times (V_{IN} - V_{OUT})}{V_{IN} \times f_{SW} \times L}$$

Equation 4:

$$I_{PEAK} = I_{LOAD} + \frac{I_{P-P}}{2}$$

where I_{LOAD} is the buck's output current in the particular application (1.5A max), V_{IN} is the application's largest expected input voltage (4.8V max), f_{SW} depends on V_{OUT} setting, see the [Typical Operating Characteristics](#) to find f_{SW} under various V_{OUT} settings.

PCB Layout Guidelines

Careful circuit board layout is critical to achieve low-switching power losses and clean, stable operation. [Figure 2](#) shows an example PCB top-metal layout.

When designing the PCB, follow these guidelines:

- 1) The input capacitor should be placed immediately next to the IN pin of the device. Since the device operates at 2MHz switching frequency, this placement is critical for effective decoupling of high-frequency noise from the IN pin.
- 2) Place the inductor and output capacitor close to the part and keep the loop area small.
- 3) Make the trace between LX and the inductor short and wide. Do not take up an excessive amount of area. The voltage on this node is switching very quickly and additional area creates more radiated emissions.
- 4) Connect PGND and AGND together to the common ground on the second layer. Do not connect them anywhere else.
- 5) Keep the power traces and load connections short and wide. This practice is essential for high efficiency.

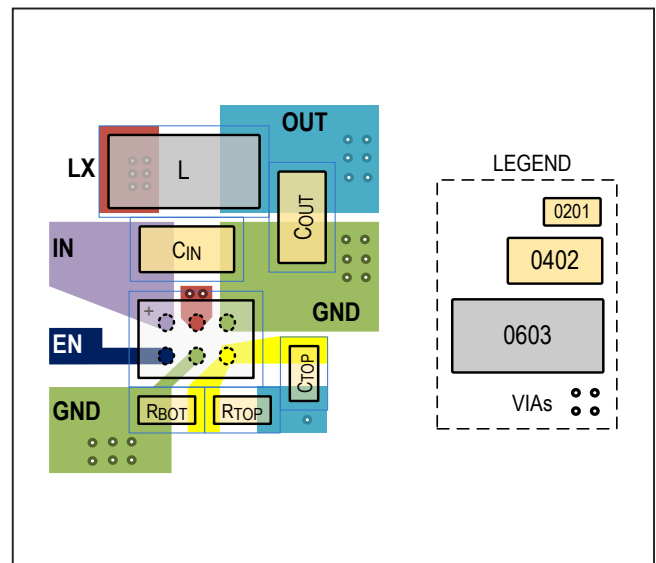
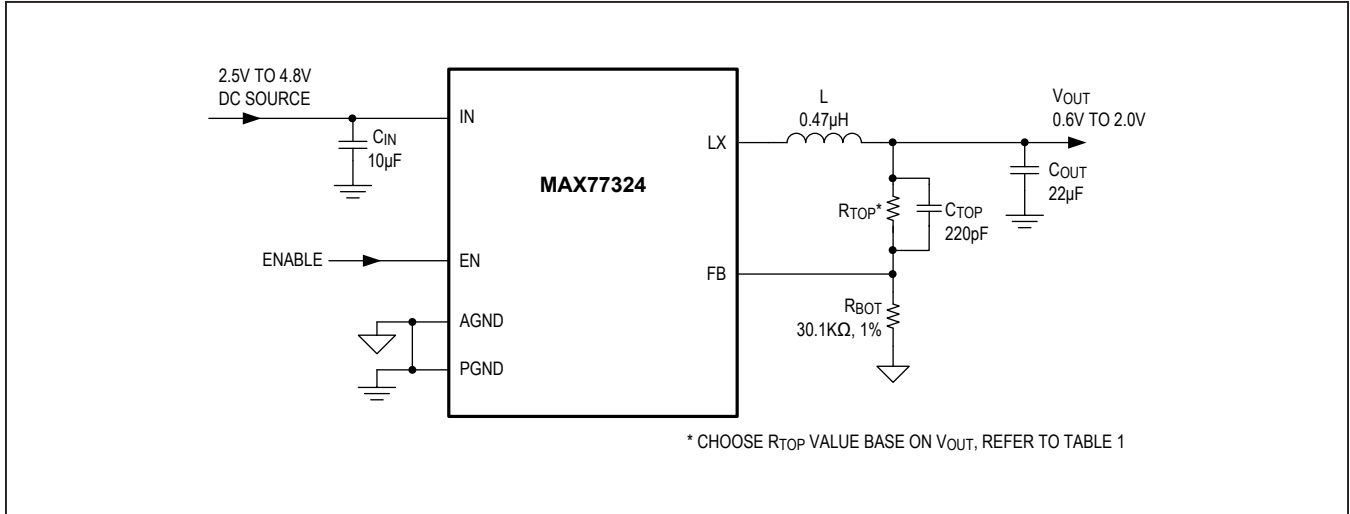


Figure 2. Example Layout

Typical Application Circuit



Suggested Inductors

PART NUMBER	INDUCTANCE [µH]	DC RESISTANCE [mΩ]	I RATING [A] -30% (ΔL/L)	I RATING [A] ΔT = 40°C RISE	DIMENSIONS L X W X H [mm]	NOTE
GLULKR4701A	0.47	20	4.5	4.9	2.5 x 2.0 x 1.0	Optimize performance. Default on evaluation board.
DFE18SANR47MG0L	0.47	54	3.6	2.6	1.6 x 0.8 x 1.0	Optimize solution size.

Suggested Capacitors for both C_{IN} and C_{OUT}

PART NUMBER	CAPACITANCE [µF]	CAPACITANCE TOLERANCE	VOLTAGE RATING [V]	TEMPERATURE CHARACTERISTIC	DIMENSIONS L X W X H [mm]	NOTE
C1608X5R0J226M080AC	22	±20%	6.3	X5R	1.6 x 0.8 x 0.8	Optimize performance. Default on evaluation board
CL05A226MQ5QUNC	22	±20%	6.3	X5R	1.0 x 0.5 x 0.8	Optimize solution size (higher capacitance derating).

Ordering Information

PART NUMBER	VOUT	PIN-PACKAGE
MAX77324EWTAD+	Adjustable from 0.6V to 2V	6 WLP

+Denotes a lead(Pb)-free/RoHS-compliant package.

Revision History

REVISION NUMBER	REVISION DATE	DESCRIPTION	PAGES CHANGED
0	1/18	Initial release	—
1	3/18	Updated Application Circuit, corrected typos in the <i>Package Information</i> table, added details in the <i>Electrical Characteristics</i> table, updated TOCs, added more information to the <i>Detailed Description</i> and <i>Application Information</i> sections.	1-6, 8-9, 11-12

For pricing, delivery, and ordering information, please contact Maxim Direct at 1-888-629-4642, or visit Maxim Integrated's website at www.maximintegrated.com.

Maxim Integrated cannot assume responsibility for use of any circuitry other than circuitry entirely embodied in a Maxim Integrated product. No circuit patent licenses are implied. Maxim Integrated reserves the right to change the circuitry and specifications without notice at any time. The parametric values (min and max limits) shown in the *Electrical Characteristics* table are guaranteed. Other parametric values quoted in this data sheet are provided for guidance.

Компания «Океан Электроники» предлагает заключение долгосрочных отношений при поставках импортных электронных компонентов на взаимовыгодных условиях!

Наши преимущества:

- Поставка оригинальных импортных электронных компонентов напрямую с производств Америки, Европы и Азии, а так же с крупнейших складов мира;
- Широкая линейка поставок активных и пассивных импортных электронных компонентов (более 30 млн. наименований);
- Поставка сложных, дефицитных, либо снятых с производства позиций;
- Оперативные сроки поставки под заказ (от 5 рабочих дней);
- Экспресс доставка в любую точку России;
- Помощь Конструкторского Отдела и консультации квалифицированных инженеров;
- Техническая поддержка проекта, помощь в подборе аналогов, поставка прототипов;
- Поставка электронных компонентов под контролем ВП;
- Система менеджмента качества сертифицирована по Международному стандарту ISO 9001;
- При необходимости вся продукция военного и аэрокосмического назначения проходит испытания и сертификацию в лаборатории (по согласованию с заказчиком);
- Поставка специализированных компонентов военного и аэрокосмического уровня качества (Xilinx, Altera, Analog Devices, Intersil, Interpoint, Microsemi, Actel, Aeroflex, Peregrine, VPT, Syfer, Eurofarad, Texas Instruments, MS Kennedy, Miteq, Cobham, E2V, MA-COM, Hittite, Mini-Circuits, General Dynamics и др.);

Компания «Океан Электроники» является официальным дистрибьютором и эксклюзивным представителем в России одного из крупнейших производителей разъемов военного и аэрокосмического назначения «JONHON», а так же официальным дистрибьютором и эксклюзивным представителем в России производителя высокотехнологичных и надежных решений для передачи СВЧ сигналов «FORSTAR».



JONHON

«JONHON» (основан в 1970 г.)

Разъемы специального, военного и аэрокосмического назначения:

(Применяются в военной, авиационной, аэрокосмической, морской, железнодорожной, горно- и нефтедобывающей отраслях промышленности)

«FORSTAR» (основан в 1998 г.)

ВЧ соединители, коаксиальные кабели, кабельные сборки и микроволновые компоненты:

(Применяются в телекоммуникациях гражданского и специального назначения, в средствах связи, РЛС, а так же военной, авиационной и аэрокосмической отраслях промышленности).



Телефон: 8 (812) 309-75-97 (многоканальный)

Факс: 8 (812) 320-03-32

Электронная почта: ocean@oceanchips.ru

Web: <http://oceanchips.ru/>

Адрес: 198099, г. Санкт-Петербург, ул. Калинина, д. 2, корп. 4, лит. А