



Features

- Built-in automatic voltage regulation enables a wide input voltage window to deliver power while preventing unnecessary battery drain
- Internal bypass switch provides power if UPS fails and prevents unnecessary shutdown of connected equipment
- Listed to UL 60950-22 standard for outdoor equipment
- Connectorized internal circuit board assemblies for easy repairs
- LED indicators show status of load and batteries
- Heavy-duty surge protection and noise filtering protects load and UPS
- Wide temperature, pure lead, gel batteries and internal cooling fan extend battery life and protect electronic components

U01 Compact Series Outdoor UPS (AC/AC)

The Bourns® U01 Compact Series Outdoor Uninterruptible Power Supply (UPS) is equipped with wide-temperature, pure lead, gel batteries and is housed in a weather-protected enclosure. It offers line-interactive automatic voltage regulation, over / under voltage protection, surge protection with heavy-duty noise filtering, communications capability and optional extended battery back-up.

The U01 Series Compact Outdoor UPS provides automatic voltage regulation with surge protection and noise filtering, as well as overvoltage protection with a threshold of 136 V and undervoltage protection with a threshold of 96 V. In the event of a brownout, overvoltage, or loss of power, the UPS will transfer to battery power quickly, enabling uninterrupted operation of the critical load.

This Compact Outdoor UPS is ideal for the protection of outdoor telecommunications infrastructures, DAS Systems, perimeter surveillance, security / gate control systems, LED traffic light and roadway display systems.

Characteristics

| Specification | Model U01120-050-120 | Model U01120-084-120 | Model U01120-105-120 |
|---|---|-------------------------|---------------------------------|
| INPUT | | | |
| Nominal Voltage & Frequency | 116 V, 60 Hz | | |
| Operating Voltage | 96 - 136 V | | |
| Current @ 96 V & Max. Charging | 7.8 A | 11.4 A | 14.2 A |
| Circuit Breaker | 10 A | 15 A | 15 A |
| Surge Withstand and Let-through Voltage | ANSI/IEEE: 6 kV, 1.2 x 50 μ s / 3 kA, 8 x 20 μ s; L-N: 450 V L-G: 300 V N-G: 300 V | | |
| OUTPUT | | | |
| Voltage | 115 V \pm 8 % | | |
| Output Power | 500 W | 840 W | 1050 W |
| Crest Factor | 3 : 1 | | |
| Waveform and THD | Sine wave, < 3 % THD with linear load | | |
| Power Efficiency | Line: 97 %, Inverter: 92 % under full load conditions | | |
| Power On / Off Switch | On / off rocker style power switch | | |
| Transfer Time | 0 to 8 milliseconds | | |
| BATTERY | | | |
| Type | 8GU1 | | NP 18-12 |
| Dimensions: mm/(inches) | 196 x 132 x 183 (7.71 x 5.18 x 7.22) | | 180 x 76 x 167 (7.1 x 3 x 6.57) |
| Weight | 23 lbs. / 10.5 kg | | 13.7 lbs. / 6.2 kg |
| Ah @ 20 hr Rate and Bus Voltage | 31.6 Ah, 24 VDC | | 17.2 Ah, 48 VDC |
| Number of Batteries | 2 | | 4 |
| Battery Circuit Breaker | 30 A | 40 A | 40 A |
| Battery Heater Pad BH 5 | 34 W, one required | | 34 W, two required |
| Battery Back-up Time vs. Load | 32 min. | 17 min. | 27 min. |
| Recharge Time | Temperature compensated charger, charge to 90 % capacity after full discharge 7 hrs. | | |
| INDICATORS AND ALARMS | | | |
| LED Status Indicators on Control Board | Inverter on: Amber: Low battery: Amber after inverter shut down following low battery after long outage; Fault: Red for overload / red blinks for high temperature; AC ok: Green when AC in buck, bypass or boost mode | | |
| N/O or N/C Contacts | >44 V / <44 V / or >22 V / <22 V / On / Off, Six position terminal block on control board assembly | | |

Specifications are subject to change without notice.

The device characteristics and parameters in this data sheet can and do vary in different applications and actual device performance may vary over time. Users should verify actual device performance in their specific applications.

Features (Continued)

- Compact design
- Quiet - ideal for use in locations with noise ordinances
- Pole or wall mounting options
- Precise output current limiting permits start-up of induction motors and other difficult loads


Applications

- Perimeter surveillance cameras (CCTV)
- Wireless access points
- Industrial Remote Terminal Units (RTUs)

U01 Compact Series Outdoor UPS (AC/AC)

BOURNS®

Characteristics (Continued)

| Specification | Model U01120-050-120 | Model U01120-084-120 | Model U01120-105-120 |
|---|---|-------------------------|-------------------------|
| PHYSICAL | | | |
| Dimensions | 419 mm (16.5 ") wide x 521 mm (20.5 ") high x 241 mm (9.5 ") deep | | |
| Aluminum Cabinet | Outdoor type, power coated | | |
| Input / Output Connections | 3-position terminal block provided for 3 x 12 AWG, 7/8 " holes for 1/2 " conduit connectors | | |
| Weight with Batteries (lbs/kg) | 100 / 45.4 | 103 / 46.8 | 110 / 49.8 |
| Mounting Options | Wall mounting is standard; optional pole mounting bracket is available | | |
| ENVIRONMENTAL | | | |
| Operating Temperature | +14 to +131 °F / -10 to +55 °C | | |
| Maximum Operating Temperature | -40 to +131 °F / -40 to +55 °C with BH5 optional battery heater | | |
| Cooling Method | +149 °F / +65 °C | | |
| Moisture Protection | Thermostat controlled exhaust fan | | |
| | Conformal coating of electronic boards for moisture resistance | | |
| SAFETY | | | |
| cETLus  | UL 1778 Ed: 4, CSA C22.2 #107.3, UL 60950-1, UL 60950-22, CSA C22.2#60950-22 | | |

Product Images



Front View



Rear View

Mounting Options



Wall Mount



Pole Mount

Latching Options



Standard Slotted Latch



Key Lock



Bellcore 216

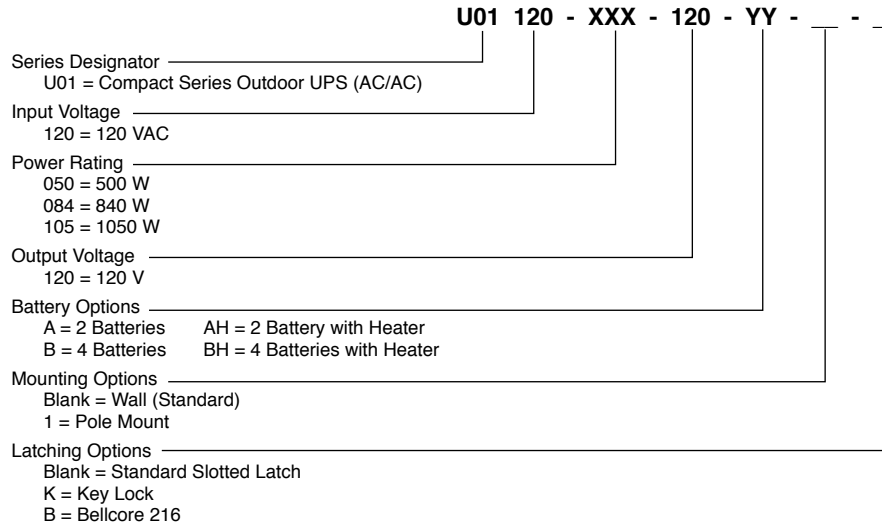
Specifications are subject to change without notice.

The device characteristics and parameters in this data sheet can and do vary in different applications and actual device performance may vary over time. Users should verify actual device performance in their specific applications.

U01 Compact Series Outdoor UPS (AC/AC)

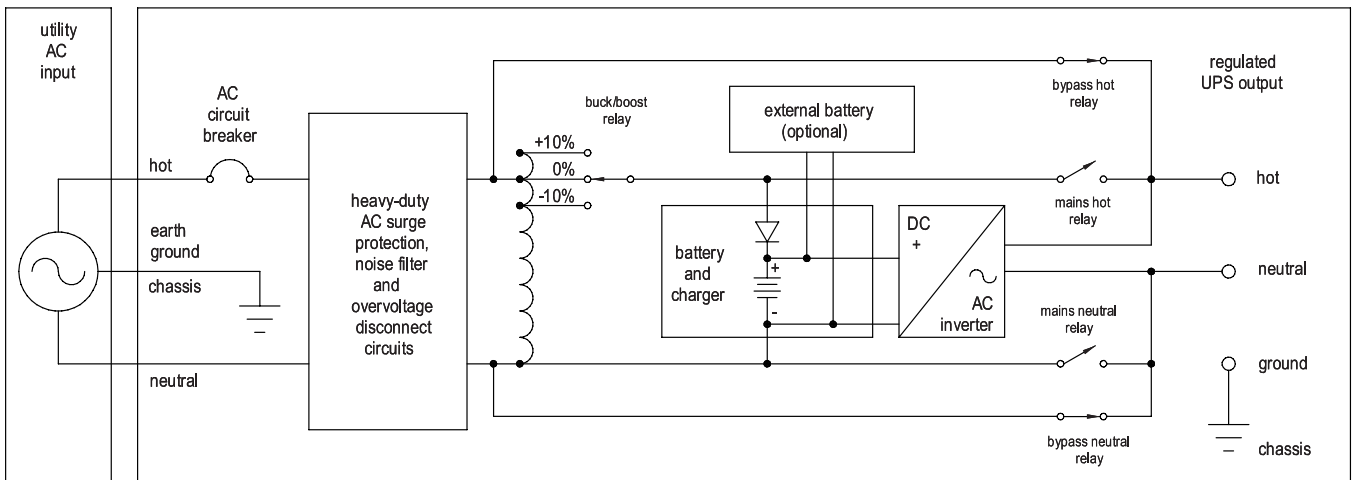
BOURNS®

How to Order



Standard Offering: Wall mount, Standard latch, 1 string, heated/unheated.

U01 Compact Series UPS (AC/AC) Schematic



BOURNS®

Asia-Pacific: Tel: +886-2 2562-4117 • Fax: +886-2 2562-4116

EMEA: Tel: +36 88 520 390 • Fax: +36 88 520 211

The Americas: Tel: +1-951 781-5500 • Fax: +1-951 781-5700

www.bourns.com

REV. B 03/16

Specifications are subject to change without notice.

The device characteristics and parameters in this data sheet can and do vary in different applications and actual device performance may vary over time. Users should verify actual device performance in their specific applications.

Компания «Океан Электроники» предлагает заключение долгосрочных отношений при поставках импортных электронных компонентов на взаимовыгодных условиях!

Наши преимущества:

- Поставка оригинальных импортных электронных компонентов напрямую с производств Америки, Европы и Азии, а так же с крупнейших складов мира;
- Широкая линейка поставок активных и пассивных импортных электронных компонентов (более 30 млн. наименований);
- Поставка сложных, дефицитных, либо снятых с производства позиций;
- Оперативные сроки поставки под заказ (от 5 рабочих дней);
- Экспресс доставка в любую точку России;
- Помощь Конструкторского Отдела и консультации квалифицированных инженеров;
- Техническая поддержка проекта, помощь в подборе аналогов, поставка прототипов;
- Поставка электронных компонентов под контролем ВП;
- Система менеджмента качества сертифицирована по Международному стандарту ISO 9001;
- При необходимости вся продукция военного и аэрокосмического назначения проходит испытания и сертификацию в лаборатории (по согласованию с заказчиком);
- Поставка специализированных компонентов военного и аэрокосмического уровня качества (Xilinx, Altera, Analog Devices, Intersil, Interpoint, Microsemi, Actel, Aeroflex, Peregrine, VPT, Syfer, Eurofarad, Texas Instruments, MS Kennedy, Miteq, Cobham, E2V, MA-COM, Hittite, Mini-Circuits, General Dynamics и др.);

Компания «Океан Электроники» является официальным дистрибьютором и эксклюзивным представителем в России одного из крупнейших производителей разъемов военного и аэрокосмического назначения «JONHON», а так же официальным дистрибьютором и эксклюзивным представителем в России производителя высокотехнологичных и надежных решений для передачи СВЧ сигналов «FORSTAR».



JONHON

«JONHON» (основан в 1970 г.)

Разъемы специального, военного и аэрокосмического назначения:

(Применяются в военной, авиационной, аэрокосмической, морской, железнодорожной, горно- и нефтедобывающей отраслях промышленности)

«FORSTAR» (основан в 1998 г.)

ВЧ соединители, коаксиальные кабели, кабельные сборки и микроволновые компоненты:

(Применяются в телекоммуникациях гражданского и специального назначения, в средствах связи, РЛС, а так же военной, авиационной и аэрокосмической отраслях промышленности).



Телефон: 8 (812) 309-75-97 (многоканальный)

Факс: 8 (812) 320-03-32

Электронная почта: ocean@oceanchips.ru

Web: <http://oceanchips.ru/>

Адрес: 198099, г. Санкт-Петербург, ул. Калинина, д. 2, корп. 4, лит. А