



## Device Overview

The 89HPES4T4G2, a 4-lane 4-port Gen2 PCI Express® switch, is a member of IDT's PRECISE™ family of PCI Express switching solutions. The PES4T4G2 is a peripheral chip that performs PCI Express base switching with a feature set optimized for servers, storage, communications, and consumer applications. It provides connectivity and switching functions between a PCI Express upstream port and three downstream ports or peer-to-peer switching between downstream ports.

## Features

- ◆ **High Performance PCI Express Switch**
  - Four Gen2 PCI Express lanes supporting 5 Gbps and 2.5 Gbps operations
  - Four switch ports
    - One x1 upstream port
    - Three x1 downstream ports
  - Low latency cut-through switch architecture
  - Support for Max Payload Size up to 2Kbytes
  - Supports one virtual channel and eight traffic classes
  - PCI Express Base Specification Revision 2.0 compliant
- ◆ **Flexible Architecture with Numerous Configuration Options**
  - Automatic lane reversal on all ports
  - Automatic polarity inversion
  - Ability to load device configuration from serial EEPROM

### ◆ Legacy Support

- PCI compatible INTx emulation
- Bus locking

### ◆ Highly Integrated Solution

- Requires no external components
- Incorporates on-chip internal memory for packet buffering and queueing
- Integrates four 5 Gbps embedded SerDes with 8b/10b encoder/decoder (no separate transceivers needed)
  - Receive equalization (RxEQ)

### ◆ Reliability, Availability, and Serviceability (RAS) Features

- Internal end-to-end parity protection on all TLPs ensures data integrity even in systems that do not implement end-to-end CRC (ECRC)
- Supports ECRC and Advanced Error Reporting
- All internal data and control RAMs are SECDED ECC protected
- Supports PCI Express Native Hot-Plug, Hot-Swap capable I/O
- Compatible with Hot-Plug I/O expanders used on PC motherboards
- Supports Hot-Swap

## Block Diagram

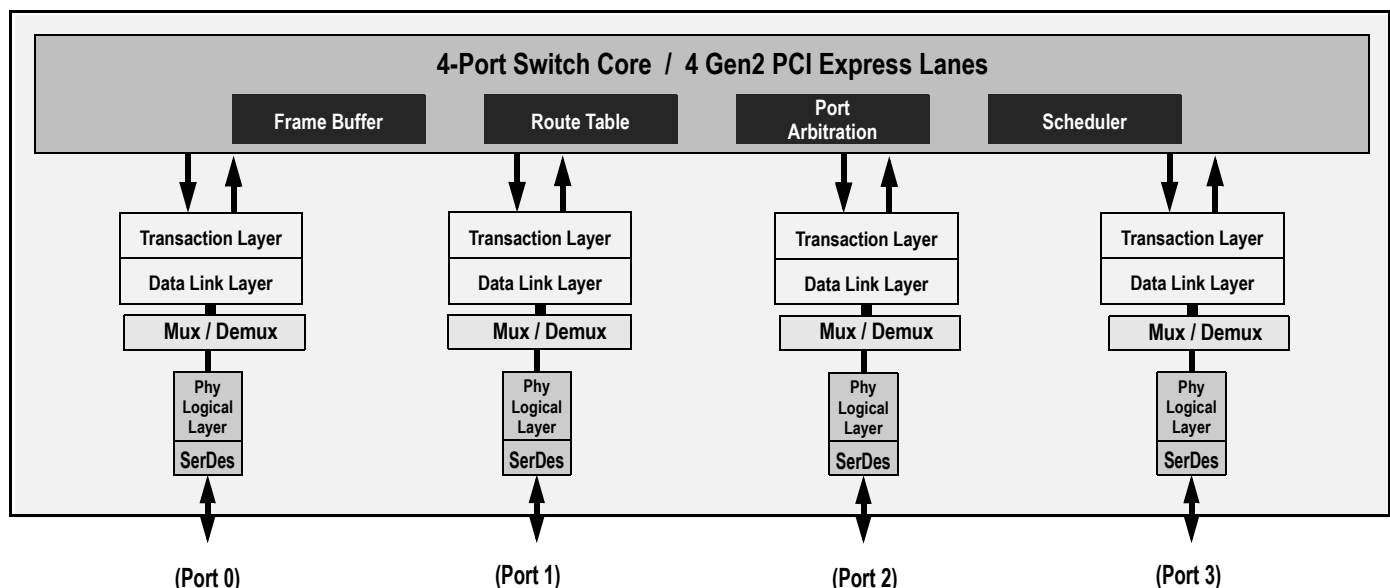


Figure 1 Internal Block Diagram

#### ◆ Power Management

- Utilizes advanced low-power design techniques to achieve low typical power consumption
- Support PCI Power Management Interface specification (PCI-PM 2.0)
  - Supports device power management states: D0, D3<sub>hot</sub> and D3<sub>cold</sub>
- Support for PCI Express Active State Power Management (ASPM) link state
  - Supports link power management states: L0, L0s, L1, L2/L3 Ready and L3
- Supports PCI Express Power Budgeting Capability
- Configurable SerDes power consumption
  - Supports optional PCI-Express SerDes Transmit Low-Swing Voltage Mode
  - Supports numerous SerDes Transmit Voltage Margin settings
- Unused SerDes are disabled

#### ◆ Testability and Debug Features

- Built in Pseudo-Random Bit Stream (PRBS) generator
- Numerous SerDes test modes
- Ability to read and write any internal register via the SMBus
- Ability to bypass link training and force any link into any mode
- Provides statistics and performance counters

#### ◆ General Purpose Input/Output Pins

- Each pin may be individually configured as an input or output
- Each pin may be individually configured as an interrupt input
- Some pins have selectable alternate functions

#### ◆ Packaged in a 19mm x 19mm, 324-ball BGA with 1mm ball spacing

### Product Description

Utilizing standard PCI Express interconnect the PES4T4G2 provides the most efficient high-performance I/O connectivity device for applications requiring high throughput, low latency and simple board layout. It provides PCI Express connectivity across 4 lanes and 4 ports. Each lane provides 5 Gbps of bandwidth in both directions and is fully compliant with PCI Express Base specification 2.0.

The PES4T4G2 is based on a flexible and efficient layered architecture. The PCI Express layer consists of SerDes, Physical, Data Link and Transaction layers in compliance with PCI Express Base specification Revision 2.0. The PES4T4G2 can operate either as a store and forward or cut-through switch and is designed to switch memory and I/O transactions. It supports eight Traffic Classes (TCs) and one Virtual Channel (VC) with sophisticated resource management to enable efficient switching and I/O connectivity for servers, storage, and embedded processors with limited connectivity.

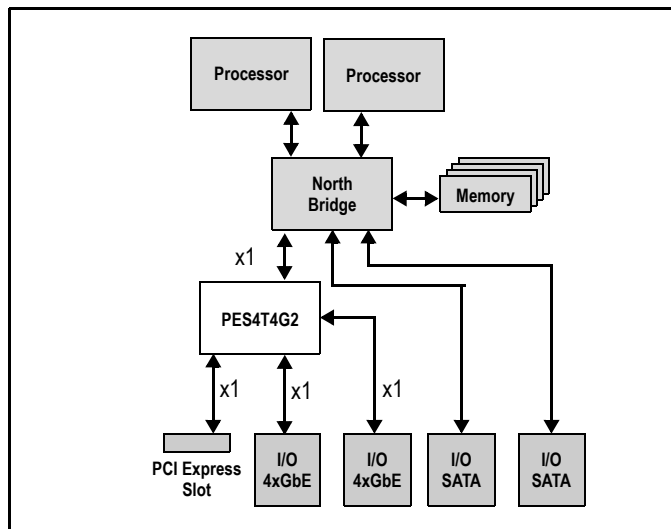


Figure 2 I/O Expansion Application

### SMBus Interface

The PES4T4G2 contains two SMBus interfaces. The slave interface provides full access to the configuration registers in the PES4T4G2, allowing every configuration register in the device to be read or written by an external agent. The master interface allows the default configuration register values of the PES4T4G2 to be overridden following a reset with values programmed in an external serial EEPROM. The master interface is also used by an external Hot-Plug I/O expander.

Two pins make up each of the two SMBus interfaces. These pins consist of an SMBus clock pin and an SMBus data pin. The Master SMBus address is hardwired to 0x50, and the slave SMBus address is hardwired to 0x77.

As shown in Figure 3, the master and slave SMBuses may be used in a unified or split configuration. In the unified configuration, shown in Figure 3(a), the master and slave SMBuses are tied together and the PES4T4G2 acts both as a SMBus master as well as a SMBus slave on this bus. This requires that the SMBus master or processor that has access to PES4T4G2 registers supports SMBus arbitration. In some systems, this SMBus master interface may be implemented using general purpose I/O pins on a processor or micro controller, and may not support SMBus arbitration. To support these systems, the PES4T4G2 may be configured to operate in a split configuration as shown in Figure 3(b).

In the split configuration, the master and slave SMBuses operate as two independent buses and thus multi-master arbitration is never required. The PES4T4G2 supports reading and writing of the serial EEPROM on the master SMBus via the slave SMBus, allowing in system programming of the serial EEPROM.

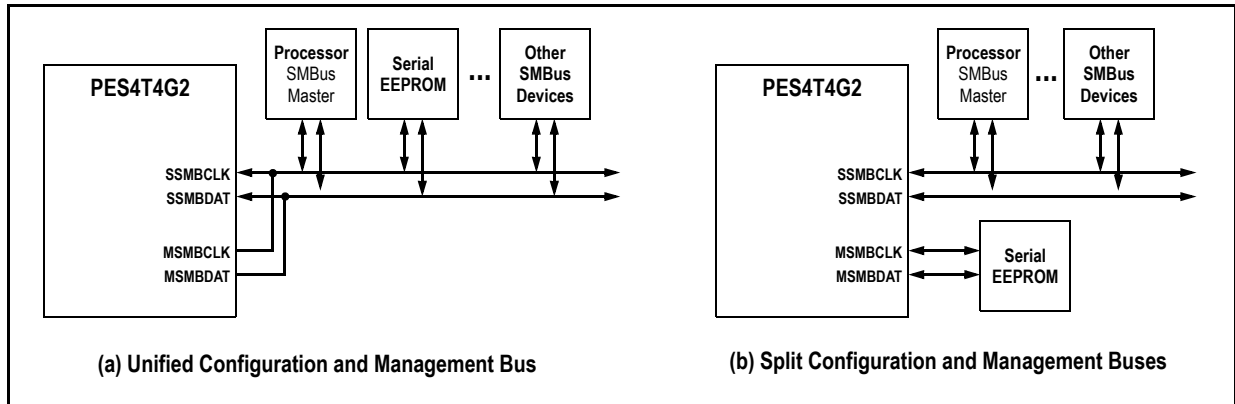


Figure 3 SMBus Interface Configuration Examples

### Hot-Plug Interface

The PES4T4G2 supports PCI Express Hot-Plug on each downstream port. To reduce the number of pins required on the device, the PES4T4G2 utilizes an external I/O expander, such as that used on PC motherboards, connected to the SMBus master interface. Following reset and configuration, whenever the state of a Hot-Plug output needs to be modified, the PES4T4G2 generates an SMBus transaction to the I/O expander with the new value of all of the outputs. Whenever a Hot-Plug input changes, the I/O expander generates an interrupt which is received on the IOEXPINTN input pin (alternate function of GPIO) of the PES4T4G2. In response to an I/O expander interrupt, the PES4T4G2 generates an SMBus transaction to read the state of all of the Hot-Plug inputs from the I/O expander.

### General Purpose Input/Output

The PES4T4G2 provides 7 General Purpose Input/Output (GPIO) pins that may be used by the system designer as bit I/O ports. Each GPIO pin may be configured independently as an input or output through software control. Most GPIO pins are shared with other on-chip functions. These alternate functions may be enabled via software, SMBus slave interface, or serial configuration EEPROM.

## Pin Description

The following tables list the functions of the pins provided on the PES4T4G2. Some of the functions listed may be multiplexed onto the same pin. The active polarity of a signal is defined using a suffix. Signals ending with an “N” are defined as being active, or asserted, when at a logic zero (low) level. All other signals (including clocks, buses, and select lines) will be interpreted as being active, or asserted, when at a logic one (high) level.

Signal	Type	Name/Description
PE0RP[0] PE0RN[0]	I	<b>PCI Express Port 0 Serial Data Receive.</b> Differential PCI Express receive pair for port 0. Port 0 is the upstream port.
PE0TP[0] PE0TN[0]	O	<b>PCI Express Port 0 Serial Data Transmit.</b> Differential PCI Express transmit pair for port 0. Port 0 is the upstream port.
PE1RP[0] PE1RN[0]	I	<b>PCI Express Port 1 Serial Data Receive.</b> Differential PCI Express receive pair for port 1.
PE1TP[0] PE1TN[0]	O	<b>PCI Express Port 1 Serial Data Transmit.</b> Differential PCI Express transmit pair for port 1.
PE2RP[0] PE2RN[0]	I	<b>PCI Express Port 2 Serial Data Receive.</b> Differential PCI Express receive pair for port 2.
PE2TP[0] PE2TN[0]	O	<b>PCI Express Port 2 Serial Data Transmit.</b> Differential PCI Express transmit pair for port 2.
PE3RP[0] PE3RN[0]	I	<b>PCI Express Port 3 Serial Data Receive.</b> Differential PCI Express receive pair for port 3.
PE3TP[0] PE3TN[0]	O	<b>PCI Express Port 3 Serial Data Transmit.</b> Differential PCI Express transmit pair for port 3.
PEREFCLKP PEREFCLKN	I	<b>PCI Express Reference Clock.</b> Differential reference clock pair input. This clock is used as the reference clock by on-chip PLLs to generate the clocks required for the system logic and on-chip SerDes. The frequency of the differential reference clock is set at 100MHz.

Table 1 PCI Express Interface Pins

Signal	Type	Name/Description
MSMBCLK	I/O	<b>Master SMBus Clock.</b> This bidirectional signal is used to synchronize transfers on the master SMBus which operates at 400 KHz.
MSMBDAT	I/O	<b>Master SMBus Data.</b> This bidirectional signal is used for data on the master SMBus which operates at 400 KHz.
SSMBCLK	I/O	<b>Slave SMBus Clock.</b> This bidirectional signal is used to synchronize transfers on the slave SMBus.
SSMBDAT	I/O	<b>Slave SMBus Data.</b> This bidirectional signal is used for data on the slave SMBus.

Table 2 SMBus Interface Pins

<b>Signal</b>	<b>Type</b>	<b>Name/Description</b>
GPIO[0]	I/O	<b>General Purpose I/O.</b> This pin can be configured as a general purpose I/O pin. Alternate function pin name: P2RSTN Alternate function pin type: Output Alternate function: Reset output for downstream port 2.
GPIO[1]	I/O	<b>General Purpose I/O.</b> This pin can be configured as a general purpose I/O pin.
GPIO[2]	I/O	<b>General Purpose I/O.</b> This pin can be configured as a general purpose I/O pin. Alternate function pin name: IOEXPINTN0 Alternate function pin type: Input Alternate function: I/O expander interrupt 0 input.
GPIO[7]	I/O	<b>General Purpose I/O.</b> This pin can be configured as a general purpose I/O pin. Alternate function pin name: GPEN Alternate function pin type: Output Alternate function: General Purpose Event (GPE) output
GPIO[8]	I/O	<b>General Purpose I/O.</b> This pin can be configured as a general purpose I/O pin. Alternate function pin name: P1RSTN Alternate function pin type: Output Alternate function: Reset output for downstream port 1
GPIO[9]	I/O	<b>General Purpose I/O.</b> This pin can be configured as a general purpose I/O pin. Alternate function pin name: P3RSTN Alternate function pin type: Output Alternate function: Reset output for downstream port 3
GPIO[10]	I/O	<b>General Purpose I/O.</b> This pin can be configured as a general purpose I/O pin.

Table 3 General Purpose I/O Pins

Signal	Type	Name/Description
CCLKDS	I	<b>Common Clock Downstream.</b> The assertion of this pin indicates that all downstream ports are using the same clock source as that provided to downstream devices. This bit is used as the initial value of the Slot Clock Configuration bit in all of the Link Status Registers for downstream ports. The value may be overridden by modifying the SCLK bit in each downstream port's PCIELSTS register.
CCLKUS	I	<b>Common Clock Upstream.</b> The assertion of this pin indicates that the upstream port is using the same clock source as the upstream device. This bit is used as the initial value of the Slot Clock Configuration bit in the Link Status Register for the upstream port. The value may be overridden by modifying the SCLK bit in the P0_PCIELSTS register.
PERSTN	I	<b>Fundamental Reset.</b> Assertion of this signal resets all logic inside PES4T4G2 and initiates a PCI Express fundamental reset.
SWMODE[2:0]	I	<b>Switch Mode.</b> These configuration pins determine the PES4T4G2 switch operating mode. 0x0 - Normal switch mode 0x1 - Normal switch mode with Serial EEPROM initialization 0x2 - through 0x7 Reserved These pins should be static and not change following the negation of PERSTN.

Table 4 System Pins

Signal	Type	Name/Description
JTAG_TCK	I	<b>JTAG Clock.</b> This is an input test clock used to clock the shifting of data into or out of the boundary scan logic or JTAG Controller. JTAG_TCK is independent of the system clock with a nominal 50% duty cycle.
JTAG_TDI	I	<b>JTAG Data Input.</b> This is the serial data input to the boundary scan logic or JTAG Controller.
JTAG_TDO	O	<b>JTAG Data Output.</b> This is the serial data shifted out from the boundary scan logic or JTAG Controller. When no data is being shifted out, this signal is tri-stated.
JTAG_TMS	I	<b>JTAG Mode.</b> The value on this signal controls the test mode select of the boundary scan logic or JTAG Controller.
JTAG_TRST_N	I	<b>JTAG Reset.</b> This active low signal asynchronously resets the boundary scan logic and JTAG TAP Controller. An external pull-up on the board is recommended to meet the JTAG specification in cases where the tester can access this signal. However, for systems running in functional mode, one of the following should occur: 1) actively drive this signal low with control logic 2) statically drive this signal low with an external pull-down on the board

Table 5 Test Pins

Signal	Type	Name/Description
REFRES0	I/O	<b>Port 0 External Reference Resistor.</b> Provides a reference for the Port 0 SerDes bias currents and PLL calibration circuitry. A 3 kOhm +/- 1% resistor should be connected from this pin to ground.
REFRES1	I/O	<b>Port 1 External Reference Resistor.</b> Provides a reference for the Port 1 SerDes bias currents and PLL calibration circuitry. A 3 kOhm +/- 1% resistor should be connected from this pin to ground.
REFRES2	I/O	<b>Port 2 External Reference Resistor.</b> Provides a reference for the Port 2 SerDes bias currents and PLL calibration circuitry. A 3 kOhm +/- 1% resistor should be connected from this pin to ground.
REFRES3	I/O	<b>Port 3 External Reference Resistor.</b> Provides a reference for the Port 3 SerDes bias currents and PLL calibration circuitry. A 3 kOhm +/- 1% resistor should be connected from this pin to ground.
V <sub>DD</sub> CORE	I	<b>Core V<sub>DD</sub>.</b> Power supply for core logic.
V <sub>DD</sub> I/O	I	<b>I/O V<sub>DD</sub>.</b> LVTTTL I/O buffer power supply.
V <sub>DD</sub> PEA	I	<b>PCI Express Analog Power.</b> Serdes analog power supply (1.0V).
V <sub>DD</sub> PEHA	I	<b>PCI Express Analog High Power.</b> Serdes analog power supply (2.5V).
V <sub>DD</sub> PETA	I	<b>PCI Express Transmitter Analog Voltage.</b> Serdes transmitter analog power supply (1.0V).
V <sub>SS</sub>	I	<b>Ground.</b>

Table 6 Power, Ground, and SerDes Resistor Pins

## Pin Characteristics

**Note:** Some input pads of the PES4T4G2 do not contain internal pull-ups or pull-downs. Unused inputs should be tied off to appropriate levels. This is especially critical for unused control signal inputs which, if left floating, could adversely affect operation. Also, any input pin left floating can cause a slight increase in power consumption.

Function	Pin Name	Type	Buffer	I/O Type	Internal Resistor <sup>1</sup>	Notes	
PCI Express Interface	PE0RN[0]	I	PCIe differential <sup>2</sup>	Serial Link			
	PE0RP[0]	I					
	PE0TN[0]	O					
	PE0TP[0]	O					
	PE1RN[0]	I					
	PE1RP[0]	I					
	PE1TN[0]	O					
	PE1TP[0]	O					
	PE2RN[0]	I					
	PE2RP[0]	I					
	PE2TN[0]	O					
	PE2TP[0]	O					
	PE3RN[0]	I					
	PE3RP[0]	I					
	PE3TN[0]	O					
	PE3TP[0]	O					
		PEREFCLKN			I	HCSL	Diff. Clock Input
		PEREFCLKP	I				
SMBus	MSMBCLK	I/O		STI <sup>3</sup>		pull-up on board	
	MSMBDAT	I/O		STI		pull-up on board	
	SSMBCLK	I/O		STI		pull-up on board	
	SSMBDAT	I/O		STI		pull-up on board	
General Purpose I/O	GPIO[10:7, 2:0]	I/O	LVTTTL	STI, High Drive	pull-up		
System Pins	CCLKDS	I	LVTTTL	Input	pull-up		
	CCLKUS	I		Input	pull-up		
	PERSTN	I		STI			
	SWMODE[2:0]	I		Input	pull-down		
EJTAG / JTAG	JTAG_TCK	I	LVTTTL	STI	pull-up		
	JTAG_TDI	I		STI	pull-up		
	JTAG_TDO	O					
	JTAG_TMS	I		STI	pull-up		
	JTAG_TRST_N	I		STI	pull-up		

Table 7 Pin Characteristics (Part 1 of 2)



Function	Pin Name	Type	Buffer	I/O Type	Internal Resistor <sup>1</sup>	Notes
SerDes Reference Resistors	REFRES0	I/O	Analog	Input		
	REFRES1	I/O				
	REFRES2	I/O				
	REFRES3	I/O				

**Table 7 Pin Characteristics (Part 2 of 2)**

- <sup>1</sup> Internal resistor values under typical operating conditions are 92K  $\Omega$  for pull-up and 90K  $\Omega$  for pull-down.
- <sup>2</sup> All receiver pins set the DC common mode voltage to ground. All transmitters must be AC coupled to the media.
- <sup>3</sup> Schmitt Trigger Input (STI).

# Logic Diagram — PES4T4G2

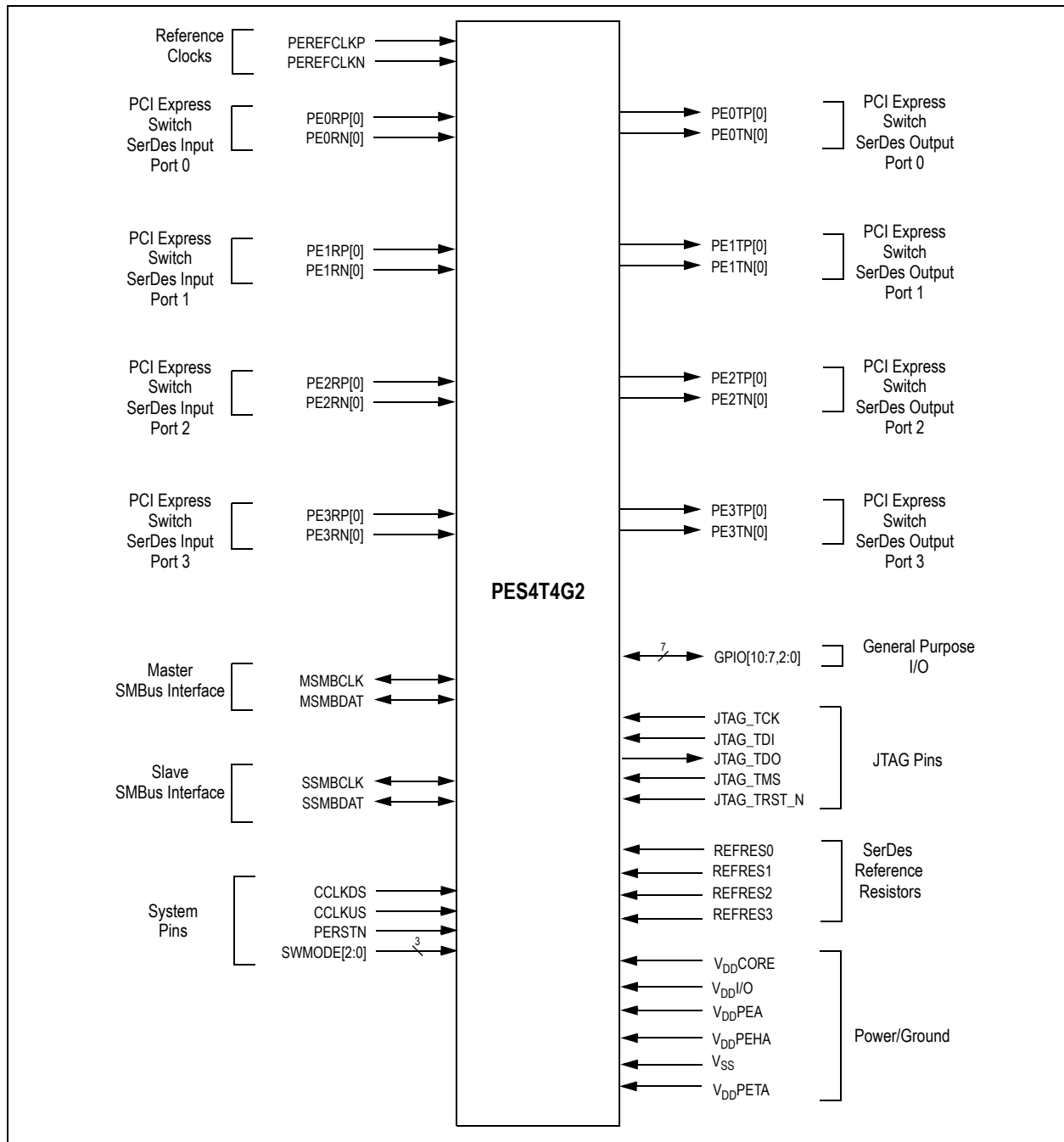


Figure 4 PES4T4G2 Logic Diagram

## System Clock Parameters

Values based on systems running at recommended supply voltages and operating temperatures, as shown in Tables 12 and 14.

Parameter	Description	Condition	Min	Typical	Max	Unit
Refclk <sub>FREQ</sub>	Input reference clock frequency range		100		100 <sup>1</sup>	MHz
T <sub>C-RISE</sub>	Rising edge rate	Differential	0.6		4	V/ns
T <sub>C-FALL</sub>	Falling edge rate	Differential	0.6		4	V/ns
V <sub>IH</sub>	Differential input high voltage	Differential	+150			mV
V <sub>IL</sub>	Differential input low voltage	Differential			-150	mV
V <sub>CROSS</sub>	Absolute single-ended crossing point voltage	Single-ended	+250		+550	mV
V <sub>CROSS-DELTA</sub>	Variation of V <sub>CROSS</sub> over all rising clock edges	Single-ended			+140	mV
V <sub>RB</sub>	Ring back voltage margin	Differential	-100		+100	mV
T <sub>STABLE</sub>	Time before V <sub>RB</sub> is allowed	Differential	500			ps
T <sub>PERIOD-AVG</sub>	Average clock period accuracy		-300		2800	ppm
T <sub>PERIOD-ABS</sub>	Absolute period, including spread-spec-trum and jitter		9.847		10.203	ns
T <sub>CC-JITTER</sub>	Cycle to cycle jitter				150	ps
V <sub>MAX</sub>	Absolute maximum input voltage				+1.15	V
V <sub>MIN</sub>	Absolute minimum input voltage		-0.3			V
Duty Cycle	Duty cycle		40		60	%
Rise/Fall Matching	Single ended rising Refclk edge rate versus falling Refclk edge rate			20		%
Z <sub>C-DC</sub>	Clock source output DC impedance		40		60	Ω

Table 8 Input Clock Requirements

<sup>1</sup>The input clock frequency is set at 100 MHz.

## AC Timing Characteristics

Parameter	Description	Gen 1			Gen 2			Units
		Min <sup>1</sup>	Typ <sup>1</sup>	Max <sup>1</sup>	Min <sup>1</sup>	Typ <sup>1</sup>	Max <sup>1</sup>	
PCIe Transmit								
UI	Unit Interval	399.88	400	400.12	199.94	200	200.06	ps
T <sub>TX-EYE</sub>	Minimum Tx Eye Width	0.75			0.75			UI
T <sub>TX-EYE-MEDIAN-to-MAX-JITTER</sub>	Maximum time between the jitter median and maximum deviation from the median			0.125				UI
T <sub>TX-RISE</sub> , T <sub>TX-FALL</sub>	TX Rise/Fall Time: 20% - 80%	0.125			0.15			UI
T <sub>TX-IDLE-MIN</sub>	Minimum time in idle	20			20			UI
T <sub>TX-IDLE-SET-TO-IDLE</sub>	Maximum time to transition to a valid Idle after sending an Idle ordered set			8			8	ns

Table 9 PCIe AC Timing Characteristics (Part 1 of 2)

Parameter	Description	Gen 1			Gen 2			Units
		Min <sup>1</sup>	Typ <sup>1</sup>	Max <sup>1</sup>	Min <sup>1</sup>	Typ <sup>1</sup>	Max <sup>1</sup>	
T <sub>TX-IDLE-TO-DIFF-DATA</sub>	Maximum time to transition from valid idle to diff data			8			8	ns
T <sub>TX-SKEW</sub>	Transmitter data skew between any 2 lanes			1.3			1.3	ns
T <sub>MIN-PULSED</sub>	Minimum Instantaneous Lone Pulse Width	NA			0.9			UI
T <sub>TX-HF-DJ-DD</sub>	Transmitter Deterministic Jitter > 1.5MHz Bandwidth	NA					0.15	UI
T <sub>RF-MISMATCH</sub>	Rise/Fall Time Differential Mismatch	NA					0.1	UI
PCIe Receive								
UI	Unit Interval	399.88	400	400.12	199.94		200.06	ps
T <sub>RX-EYE (with jitter)</sub>	Minimum Receiver Eye Width (jitter tolerance)	0.4			0.4			UI
T <sub>RX-EYE-MEDIUM TO MAX JITTER</sub>	Max time between jitter median & max deviation			0.3				UI
T <sub>RX-SKEW</sub>	Lane to lane input skew			20			8	ns
T <sub>RX-HF-RMS</sub>	1.5 — 100 MHz RMS jitter (common clock)	NA					3.4	ps
T <sub>RX-HF-DJ-DD</sub>	Maximum tolerable DJ by the receiver (common clock)	NA					88	ps
T <sub>RX-LF-RMS</sub>	10 KHz to 1.5 MHz RMS jitter (common clock)	NA					4.2	ps
T <sub>RX-MIN-PULSE</sub>	Minimum receiver instantaneous eye width	NA			0.6			UI

Table 9 PCIe AC Timing Characteristics (Part 2 of 2)

<sup>1</sup>. Minimum, Typical, and Maximum values meet the requirements under PCI Specification 2.0

Signal	Symbol	Reference Edge	Min	Max	Unit	Timing Diagram Reference
<b>GPIO</b>						
GPIO[10:7,2:0] <sup>1</sup>	T <sub>pw</sub> <sup>2</sup>	None	50	—	ns	

Table 10 GPIO AC Timing Characteristics

<sup>1</sup>. GPIO signals must meet the setup and hold times if they are synchronous or the minimum pulse width if they are asynchronous.

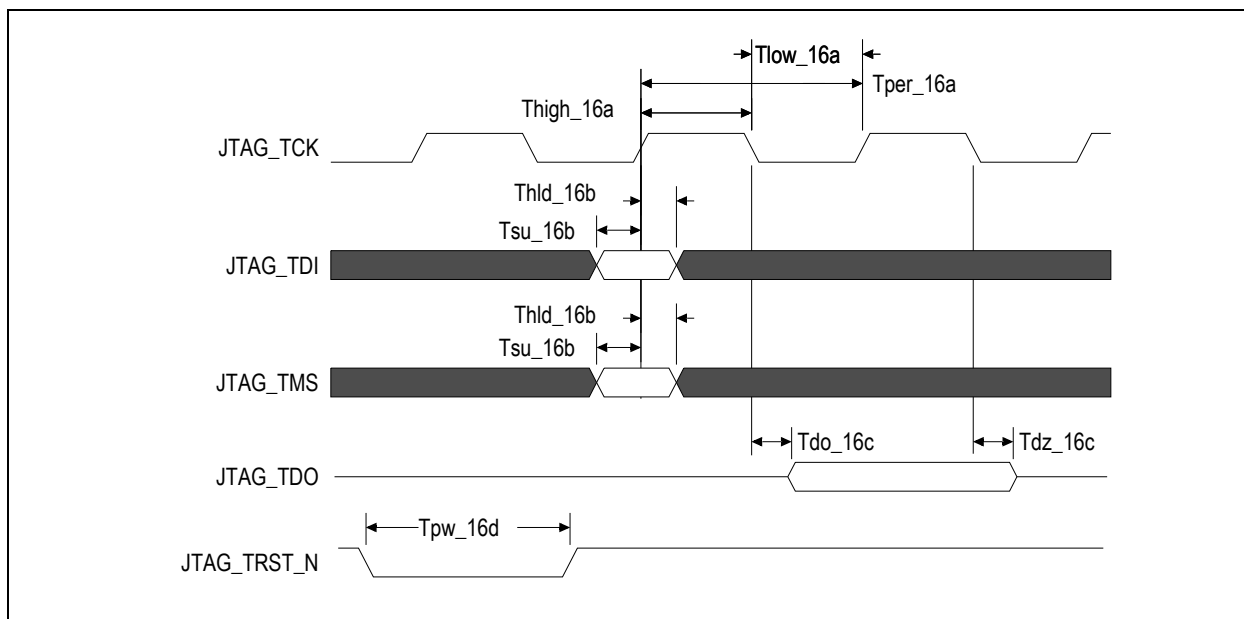
<sup>2</sup>. The values for this symbol were determined by calculation, not by testing.

Signal	Symbol	Reference Edge	Min	Max	Unit	Timing Diagram Reference
<b>JTAG</b>						
JTAG_TCK	Tper_16a	none	50.0	—	ns	See Figure 5.
	Thigh_16a, Tlow_16a		10.0	25.0	ns	
JTAG_TMS <sup>1</sup> , JTAG_TDI	Tsu_16b	JTAG_TCK rising	2.4	—	ns	
	Thld_16b		1.0	—	ns	
JTAG_TDO	Tdo_16c	JTAG_TCK falling	—	20	ns	
	Tdz_16c <sup>2</sup>		—	20	ns	
JTAG_TRST_N	Tpw_16d <sup>2</sup>	none	25.0	—	ns	

**Table 11 JTAG AC Timing Characteristics**

<sup>1</sup> The JTAG specification, IEEE 1149.1, recommends that JTAG\_TMS should be held at 1 while the signal applied at JTAG\_TRST\_N changes from 0 to 1. Otherwise, a race may occur if JTAG\_TRST\_N is deasserted (going from low to high) on a rising edge of JTAG\_TCK when JTAG\_TMS is low, because the TAP controller might go to either the Run-Test/Idle state or stay in the Test-Logic-Reset state.

<sup>2</sup> The values for this symbol were determined by calculation, not by testing.



**Figure 5 JTAG AC Timing Waveform**

## Recommended Operating Supply Voltages

Symbol	Parameter	Minimum	Typical	Maximum	Unit
$V_{DDCORE}$	Internal logic supply	0.9	1.0	1.1	V
$V_{DDI/O}$	I/O supply except for SerDes LVPECL/CML	3.135	3.3	3.465	V
$V_{DDPEA}^1$	PCI Express Analog Power	0.95	1.0	1.1	V
$V_{DDPEHA}^2$	PCI Express Analog High Power	2.25	2.5	2.75	V
$V_{DDPETA}^1$	PCI Express Transmitter Analog Voltage	0.95	1.0	1.1	V
$V_{SS}$	Common ground	0	0	0	V

Table 12 PES4T4G2 Operating Voltages

<sup>1</sup>  $V_{DDPEA}$  and  $V_{DDPETA}$  should have no more than  $25mV_{peak-peak}$  AC power supply noise superimposed on the 1.0V nominal DC value.

<sup>2</sup>  $V_{DDPEHA}$  should have no more than  $50mV_{peak-peak}$  AC power supply noise superimposed on the 2.5V nominal DC value.

## Absolute Maximum Voltage Rating

Core Supply	PCIe Analog Supply	PCIe Analog High Supply	PCIe Transmitter Supply	I/O Supply
1.5V	1.5V	4.6V	1.5V	4.6V

Table 13 PES4T4G2 Absolute Maximum Voltage Rating

**Warning:** For proper and reliable operation in adherence with this data sheet, the device should not exceed the recommended operating voltages in Table 12. The absolute maximum operating voltages in Table 13 are offered to provide guidelines for voltage excursions outside the recommended voltage ranges. Device functionality is not guaranteed at these conditions and sustained operation at these values or any exposure to voltages outside the maximum range may adversely affect device functionality and reliability.

## Power-Up/Power-Down Sequence

During power supply ramp-up,  $V_{DDCORE}$  must remain at least 1.0V below  $V_{DDI/O}$  at all times. There are no other power-up sequence requirements for the various operating supply voltages.

The power-down sequence can occur in any order.

## Recommended Operating Temperature

Grade	Temperature
Commercial	0°C to +70°C Ambient
Industrial	-40°C to +85°C Ambient

Table 14 PES4T4G2 Operating Temperatures

## Power Consumption

Typical power is measured under the following conditions: 25°C Ambient, 35% total link usage on all ports, typical voltages defined in Table 12 (and also listed below).

Maximum power is measured under the following conditions: 70°C Ambient, 85% total link usage on all ports, maximum voltages defined in Table 12 (and also listed below).

Number of active Lanes per Port		Core Supply		PCIe Analog Supply		PCIe Analog High Supply		PCIe Termination Supply		I/O Supply		Total	
		Typ 1.0V	Max 1.1V	Typ 1.0V	Max 1.1V	Typ 2.5V	Max 2.75V	Typ 1.0V	Max 1.1V	Typ 3.3V	Max 3.465V	Typ Power	Max Power
1/1/1/1 Full Swing	mA	375	700	703	752	74	83	360	429	2	3		
	Watts	0.38	0.77	0.70	0.83	0.19	0.23	0.36	0.47	0.007	0.01	1.63	2.31
1/1/1/1 Half Swing	mA	375	700	703	752	74	83	180	215	2	3		
	Watts	0.38	0.77	0.70	0.83	0.19	0.23	0.18	0.24	0.007	0.01	1.45	2.07

Table 15 PES4T4G2 Power Consumption

## Thermal Considerations

This section describes thermal considerations for the PES4T4G2 (19mm<sup>2</sup> FCBGA324 package). The data in Table 16 below contains information that is relevant to the thermal performance of the PES4T4G2 switch.

Symbol	Parameter	Value	Units	Conditions
T <sub>J(max)</sub>	Junction Temperature	125	°C	Maximum
T <sub>A(max)</sub>	Ambient Temperature	70	°C	Maximum
θ <sub>JA(effective)</sub>	Effective Thermal Resistance, Junction-to-Ambient	16.8	°C/W	Zero air flow
		10.1	°C/W	1 m/S air flow
		9.2	°C/W	2 m/S air flow
θ <sub>JB</sub>	Thermal Resistance, Junction-to-Board	4.1	°C/W	
θ <sub>JC</sub>	Thermal Resistance, Junction-to-Case	0.3	°C/W	
P	Power Dissipation of the Device	2.31	Watts	Maximum

Table 16 Thermal Specifications for PES4T4G2, 19x19 mm FCBGA324 Package

**Note:** It is important for the reliability of this device in any user environment that the junction temperature not exceed the T<sub>J(max)</sub> value specified in Table 16. Consequently, the effective junction to ambient thermal resistance (θ<sub>JA</sub>) for the worst case scenario must be maintained below the value determined by the formula:

$$\theta_{JA} = (T_{J(max)} - T_{A(max)})/P$$

Given that the values of T<sub>J(max)</sub>, T<sub>A(max)</sub>, and P are known, the value of desired θ<sub>JA</sub> becomes a known entity to the system designer. How to achieve the desired θ<sub>JA</sub> is left up to the board or system designer, but in general, it can be achieved by adding the effects of θ<sub>JC</sub> (value provided in Table 16), thermal resistance of the chosen adhesive (θ<sub>CS</sub>), that of the heat sink (θ<sub>SA</sub>), amount of airflow, and properties of the circuit board (number of layers and size of the board). As a general guideline, this device will not need a heat sink if the board has 8 or more layers AND the board size is larger than 4"x12" AND airflow in excess of 0.5 m/s is available. It is strongly recommended that users perform their own thermal analysis for their own board and system design scenarios.

## DC Electrical Characteristics

Values based on systems running at recommended supply voltages, as shown in Table 12.

**Note:** See Table 7, Pin Characteristics, for a complete I/O listing.

I/O Type	Parameter	Description	Gen1			Gen2			Unit	Condi- tions	
			Min <sup>1</sup>	Typ <sup>1</sup>	Max <sup>1</sup>	Min <sup>1</sup>	Typ <sup>1</sup>	Max <sup>1</sup>			
Serial Link	PCIe Transmit										
	V <sub>TX-DIFFp-p</sub>	Differential peak-to-peak output voltage	800		1200	800		1200	mV		
	V <sub>TX-DIFFp-p-LOW</sub>	Low-Drive Differential Peak to Peak Output Voltage	400		1200	400		1200	mV		
	V <sub>TX-DE-RATIO-3.5dB</sub>	De-emphasized differential output voltage	-3		-4	-3.0	-3.5	-4.0	dB		
	V <sub>TX-DE-RATIO-6.0dB</sub>	De-emphasized differential output voltage	NA			-5.5	-6.0	-6.5	dB		
	V <sub>TX-DC-CM</sub>	DC Common mode voltage	0		3.6	0		3.6	V		
	V <sub>TX-CM-ACP</sub>	RMS AC peak common mode output voltage			20				mV		
	V <sub>TX-CM-DC-active-idle-delta</sub>	Abs delta of DC common mode voltage between L0 and idle			100			100	mV		
	V <sub>TX-CM-DC-line-delta</sub>	Abs delta of DC common mode voltage between D+ and D-			25			25	mV		
	V <sub>TX-Idle-DiffP</sub>	Electrical idle diff peak output			20			20	mV		
	RL <sub>TX-DIFF</sub>	Transmitter Differential Return loss	10						10	dB	0.05 - 1.25GHz
									8	dB	1.25 - 2.5GHz
	RL <sub>TX-CM</sub>	Transmitter Common Mode Return loss	6					6	dB		
	Z <sub>TX-DIFF-DC</sub>	DC Differential TX impedance	80	100	120			120	Ω		
	V <sub>TX-CM-ACpp</sub>	Peak-Peak AC Common	NA					100	mV		
	V <sub>TX-DC-CM</sub>	Transmit Driver DC Common Mode Voltage	0		3.6	0		3.6	V		
V <sub>TX-RCV-DETECT</sub>	The amount of voltage change allowed during Receiver Detection			600			600	mV			
I <sub>TX-SHORT</sub>	Transmitter Short Circuit Current Limit	0		90				90	mA		

Table 17 DC Electrical Characteristics (Part 1 of 2)



I/O Type	Parameter	Description	Gen1			Gen2			Unit	Conditions
			Min <sup>1</sup>	Typ <sup>1</sup>	Max <sup>1</sup>	Min <sup>1</sup>	Typ <sup>1</sup>	Max <sup>1</sup>		
Serial Link (cont.)	PCIe Receive									
	V <sub>RX-DIFFp-p</sub>	Differential input voltage (peak-to-peak)	175		1200	120		1200	mV	
	RL <sub>RX-DIFF</sub>	Receiver Differential Return Loss	10					10	dB	0.05 - 1.25GHz
								8		1.25 - 2.5GHz
	RL <sub>RX-CM</sub>	Receiver Common Mode Return Loss	6					6	dB	
	Z <sub>RX-DIFF-DC</sub>	Differential input impedance (DC)	80	100	120	Refer to return loss spec			Ω	
	Z <sub>RX--DC</sub>	DC common mode impedance	40	50	60	40		60	Ω	
	Z <sub>RX-COMM-DC</sub>	Powered down input common mode impedance (DC)	200k	350k				50k	Ω	
	Z <sub>RX-HIGH-IMP-DC-POS</sub>	DC input CM input impedance for V>0 during reset or power down			50k			50k	Ω	
	Z <sub>RX-HIGH-IMP-DC-NEG</sub>	DC input CM input impedance for V<0 during reset or power down			1.0k			1.0k	Ω	
V <sub>RX-IDLE-DET-DIFFp-p</sub>	Electrical idle detect threshold	65		175	65		175	mV		
V <sub>RX-CM-ACp</sub>	Receiver AC common-mode peak voltage			150			150	mV	V <sub>RX-CM-ACp</sub>	
PCIe REFCLK										
	C <sub>IN</sub>	Input Capacitance	1.5	—		1.5	—		pF	
Other I/Os										
LOW Drive Output	I <sub>OL</sub>		—	2.5	—	—	2.5	—	mA	V <sub>OL</sub> = 0.4v
	I <sub>OH</sub>		—	-5.5	—	—	-5.5	—	mA	V <sub>OH</sub> = 1.5V
High Drive Output	I <sub>OL</sub>		—	12.0	—	—	12.0	—	mA	V <sub>OL</sub> = 0.4v
	I <sub>OH</sub>		—	-20.0	—	—	-20.0	—	mA	V <sub>OH</sub> = 1.5V
Schmitt Trigger Input (STI)	V <sub>IL</sub>		-0.3	—	0.8	-0.3	—	0.8	V	—
	V <sub>IH</sub>		2.0	—	V <sub>DD</sub> /O + 0.5	2.0	—	V <sub>DD</sub> /O + 0.5	V	—
Input	V <sub>IL</sub>		-0.3	—	0.8	-0.3	—	0.8	V	—
	V <sub>IH</sub>		2.0	—	V <sub>DD</sub> /O + 0.5	2.0	—	V <sub>DD</sub> /O + 0.5	V	—
Capacitance	C <sub>IN</sub>		—	—	8.5	—	—	8.5	pF	—
Leakage	Inputs		—	—	± 10	—	—	± 10	μA	V <sub>DD</sub> /O (max)
	I/O <sub>LEAK</sub> W/O Pull-ups/downs		—	—	± 10	—	—	± 10	μA	V <sub>DD</sub> /O (max)
	I/O <sub>LEAK</sub> WITH Pull-ups/downs		—	—	± 80	—	—	± 80	μA	V <sub>DD</sub> /O (max)

Table 17 DC Electrical Characteristics (Part 2 of 2)

<sup>1</sup> Minimum, Typical, and Maximum values meet the requirements under PCI Specification 2.0.

## Package Pinout — 324-BGA Signal Pinout for PES4T4G2

The following table lists the pin numbers and signal names for the PES4T4G2 device.

Pin	Function	Alt	Pin	Function	Alt	Pin	Function	Alt	Pin	Function	Alt
A1	V <sub>SS</sub>		B17	NC		D15	V <sub>DD</sub> CORE		F13	V <sub>SS</sub>	
A2	V <sub>DD</sub> I/O		B18	NC		D16	V <sub>SS</sub>		F14	NC	
A3	V <sub>DD</sub> I/O		C1	NC		D17	V <sub>SS</sub>		F15	NC	
A4	V <sub>DD</sub> I/O		C2	NC		D18	V <sub>SS</sub>		F16	V <sub>SS</sub>	
A5	V <sub>SS</sub>		C3	V <sub>SS</sub>		E1	NC		F17	NC	
A6	V <sub>DD</sub> I/O		C4	NC		E2	NC		F18	NC	
A7	V <sub>SS</sub>		C5	NC		E3	V <sub>SS</sub>		G1	V <sub>SS</sub>	
A8	JTAG_TDI		C6	V <sub>SS</sub>		E4	NC		G2	V <sub>SS</sub>	
A9	MSMBDAT		C7	JTAG_TCK		E5	NC		G3	V <sub>SS</sub>	
A10	V <sub>DD</sub> I/O		C8	JTAG_TRST_N		E6	V <sub>DD</sub> CORE		G4	V <sub>DD</sub> CORE	
A11	V <sub>SS</sub>		C9	SSMBDAT		E7	V <sub>DD</sub> CORE		G5	V <sub>DD</sub> CORE	
A12	GPIO_00	1	C10	CCLKDS		E8	V <sub>DD</sub> CORE		G6	V <sub>DD</sub> PEA	
A13	V <sub>DD</sub> I/O		C11	SWMODE_2		E9	V <sub>SS</sub>		G7	V <sub>DD</sub> PEA	
A14	V <sub>DD</sub> I/O		C12	GPIO_02	1	E10	V <sub>DD</sub> CORE		G8	V <sub>DD</sub> CORE	
A15	V <sub>SS</sub>		C13	GPIO_09	1	E11	V <sub>DD</sub> CORE		G9	V <sub>DD</sub> CORE	
A16	V <sub>SS</sub>		C14	NC		E12	V <sub>DD</sub> CORE		G10	V <sub>DD</sub> CORE	
A17	V <sub>DD</sub> I/O		C15	NC		E13	V <sub>DD</sub> CORE		G11	V <sub>SS</sub>	
A18	V <sub>DD</sub> I/O		C16	V <sub>SS</sub>		E14	NC		G12	V <sub>DD</sub> PEA	
B1	NC		C17	NC		E15	NC		G13	V <sub>DD</sub> PEA	
B2	NC		C18	NC		E16	V <sub>SS</sub>		G14	V <sub>DD</sub> CORE	
B3	V <sub>SS</sub>		D1	V <sub>SS</sub>		E17	NC		G15	V <sub>DD</sub> CORE	
B4	NC		D2	V <sub>SS</sub>		E18	NC		G16	V <sub>SS</sub>	
B5	NC		D3	V <sub>SS</sub>		F1	PE3TP00		G17	V <sub>SS</sub>	
B6	V <sub>DD</sub> I/O		D4	V <sub>DD</sub> CORE		F2	PE3TN00		G18	V <sub>SS</sub>	
B7	V <sub>DD</sub> I/O		D5	V <sub>DD</sub> CORE		F3	V <sub>SS</sub>		H1	NC	
B8	JTAG_TMS		D6	V <sub>SS</sub>		F4	PE3RP00		H2	NC	
B9	SSMBCLK		D7	JTAG_TDO		F5	PE3RN00		H3	V <sub>SS</sub>	
B10	V <sub>DD</sub> I/O		D8	MSMBCLK		F6	V <sub>SS</sub>		H4	NC	
B11	SWMODE_1		D9	CCLKUS		F7	V <sub>SS</sub>		H5	NC	
B12	GPIO_01		D10	SWMODE_0		F8	V <sub>DD</sub> CORE		H6	V <sub>DD</sub> PEA	
B13	GPIO_10		D11	PERSTN		F9	V <sub>SS</sub>		H7	V <sub>DD</sub> PEA	
B14	NC		D12	GPIO_07	1	F10	V <sub>DD</sub> CORE		H8	V <sub>DD</sub> CORE	
B15	NC		D13	GPIO_08	1	F11	V <sub>SS</sub>		H9	V <sub>DD</sub> CORE	
B16	V <sub>SS</sub>		D14	V <sub>DD</sub> CORE		F12	V <sub>SS</sub>		H10	V <sub>DD</sub> CORE	
H11	V <sub>SS</sub>		K13	V <sub>DD</sub> PETA		M15	NC		P17	V <sub>DD</sub> CORE	
H12	V <sub>DD</sub> PEA		K14	V <sub>DD</sub> CORE		M16	V <sub>SS</sub>		P18	V <sub>SS</sub>	

Table 18 PES4T4G2 324-pin Signal Pin-Out (Part 1 of 3)

Pin	Function	Alt	Pin	Function	Alt	Pin	Function	Alt	Pin	Function	Alt
H13	V <sub>DD</sub> PEA		K15	NC		M17	NC		R1	V <sub>SS</sub>	
H14	NC		K16	V <sub>SS</sub>		M18	NC		R2	V <sub>DD</sub> CORE	
H15	NC		K17	NC		N1	V <sub>SS</sub>		R3	V <sub>DD</sub> CORE	
H16	V <sub>SS</sub>		K18	NC		N2	V <sub>SS</sub>		R4	NC	
H17	NC		L1	NC		N3	V <sub>SS</sub>		R5	NC	
H18	NC		L2	NC		N4	V <sub>DD</sub> CORE		R6	NC	
J1	NC		L3	V <sub>SS</sub>		N5	V <sub>DD</sub> CORE		R7	NC	
J2	NC		L4	NC		N6	V <sub>SS</sub>		R8	PE1RP00	
J3	V <sub>SS</sub>		L5	NC		N7	V <sub>SS</sub>		R9	V <sub>DD</sub> CORE	
J4	NC		L6	V <sub>DD</sub> PETA		N8	V <sub>DD</sub> PEA		R10	NC	
J5	NC		L7	V <sub>DD</sub> PETA		N9	V <sub>DD</sub> PEHA		R11	NC	
J6	V <sub>DD</sub> PEHA		L8	V <sub>DD</sub> PEA		N10	V <sub>DD</sub> PETA		R12	V <sub>DD</sub> CORE	
J7	V <sub>DD</sub> PEHA		L9	V <sub>DD</sub> PEHA		N11	V <sub>DD</sub> PEA		R13	NC	
J8	V <sub>DD</sub> CORE		L10	V <sub>DD</sub> PETA		N12	V <sub>DD</sub> PEHA		R14	PE0RP00	
J9	V <sub>SS</sub>		L11	V <sub>DD</sub> PEA		N13	V <sub>SS</sub>		R15	V <sub>DD</sub> CORE	
J10	V <sub>DD</sub> CORE		L12	V <sub>DD</sub> PEHA		N14	V <sub>SS</sub>		R16	V <sub>DD</sub> CORE	
J11	V <sub>SS</sub>		L13	V <sub>DD</sub> PETA		N15	V <sub>DD</sub> CORE		R17	V <sub>DD</sub> CORE	
J12	V <sub>DD</sub> PEHA		L14	NC		N16	V <sub>SS</sub>		R18	V <sub>SS</sub>	
J13	V <sub>DD</sub> PEHA		L15	NC		N17	V <sub>SS</sub>		T1	V <sub>SS</sub>	
J14	NC		L16	V <sub>SS</sub>		N18	V <sub>SS</sub>		T2	V <sub>SS</sub>	
J15	NC		L17	NC		P1	V <sub>SS</sub>		T3	V <sub>SS</sub>	
J16	V <sub>SS</sub>		L18	NC		P2	V <sub>DD</sub> CORE		T4	V <sub>SS</sub>	
J17	NC		M1	PE2TP00		P3	V <sub>DD</sub> CORE		T5	V <sub>SS</sub>	
J18	NC		M2	PE2TN00		P4	NC		T6	V <sub>SS</sub>	
K1	REFRES2		M3	V <sub>SS</sub>		P5	NC		T7	V <sub>SS</sub>	
K2	REFRES3		M4	PE2RP00		P6	V <sub>DD</sub> CORE		T8	V <sub>SS</sub>	
K3	V <sub>SS</sub>		M5	PE2RN00		P7	NC		T9	V <sub>SS</sub>	
K4	V <sub>DD</sub> CORE		M6	V <sub>DD</sub> PETA		P8	PE1RN00		T10	V <sub>SS</sub>	
K5	V <sub>DD</sub> CORE		M7	V <sub>DD</sub> PETA		P9	V <sub>DD</sub> CORE		T11	V <sub>SS</sub>	
K6	V <sub>DD</sub> PETA		M8	V <sub>DD</sub> PEA		P10	NC		T12	V <sub>SS</sub>	
K7	V <sub>DD</sub> PETA		M9	V <sub>DD</sub> PEHA		P11	NC		T13	V <sub>SS</sub>	
K8	V <sub>DD</sub> CORE		M10	V <sub>DD</sub> PETA		P12	V <sub>DD</sub> CORE		T14	V <sub>SS</sub>	
K9	V <sub>SS</sub>		M11	V <sub>DD</sub> PEA		P13	NC		T15	V <sub>SS</sub>	
K10	V <sub>DD</sub> CORE		M12	V <sub>DD</sub> PEHA		P14	PE0RN00		T16	V <sub>SS</sub>	
K11	V <sub>SS</sub>		M13	V <sub>SS</sub>		P15	V <sub>DD</sub> CORE		T17	V <sub>SS</sub>	
K12	V <sub>DD</sub> PETA		M14	NC		P16	V <sub>DD</sub> CORE		T18	V <sub>SS</sub>	
U1	V <sub>SS</sub>		U10	NC		V1	V <sub>SS</sub>		V10	NC	
U2	PEREFCLKN		U11	NC		V2	PEREFCLKP		V11	NC	

Table 18 PES4T4G2 324-pin Signal Pin-Out (Part 2 of 3)

Pin	Function	Alt	Pin	Function	Alt	Pin	Function	Alt	Pin	Function	Alt
U3	V <sub>SS</sub>		U12	V <sub>SS</sub>		V3	V <sub>SS</sub>		V12	V <sub>SS</sub>	
U4	NC		U13	NC		V4	NC		V13	NC	
U5	NC		U14	PE0TN00		V5	NC		V14	PE0TP00	
U6	REFRES1		U15	V <sub>SS</sub>		V6	REFRES0		V15	V <sub>SS</sub>	
U7	NC		U16	V <sub>SS</sub>		V7	NC		V16	V <sub>SS</sub>	
U8	PE1TN00		U17	V <sub>SS</sub>		V8	PE1TP00		V17	V <sub>SS</sub>	
U9	V <sub>SS</sub>		U18	V <sub>SS</sub>		V9	V <sub>SS</sub>		V18	V <sub>SS</sub>	

Table 18 PES4T4G2 324-pin Signal Pin-Out (Part 3 of 3)

### Alternate Signal Functions

Pin	GPIO	Alternate
A12	GPIO_00	P2RSTN
C12	GPIO_02	IOEXPINTN0
D12	GPIO_07	GPEN
D13	GPIO_08	P1RSTN
C13	GPIO_09	P3RSTN

Table 19 PES4T4G2 Alternate Signal Functions

### No Connection Pins

NC Pins	NC Pins	NC Pins	NC Pins	NC Pins	NC Pins
B1	C18	H4	K17	P5	U10
B2	E1	H5	K18	P7	U11
B4	E2	H14	L1	P10	U13
B5	E4	H15	L2	P11	V4
B14	E5	H17	L4	P13	V5
B15	E14	H18	L5	R4	V7
B17	E15	J1	L14	R5	V10
B18	E17	J2	L15	R6	V11
C1	E18	J4	L17	R7	V13
C2	F14	J5	L18	R10	
C4	F15	J14	M14	R11	
C5	F17	J15	M15	R13	
C14	F18	J17	M17	U4	
C15	H1	J18	M18	U5	
C17	H2	K15	P4	U7	

Table 20 PES4T4G2 No Connection Pins

**Power Pins**

<b>V<sub>DD</sub>Core</b>	<b>V<sub>DD</sub>Core</b>	<b>V<sub>DD</sub>Core</b>	<b>V<sub>DD</sub>I/O</b>	<b>V<sub>DD</sub>PEA</b>	<b>V<sub>DD</sub>PEHA</b>	<b>V<sub>DD</sub>PETA</b>
D4	G9	N15	A2	G6	J6	K6
D5	G10	P2	A3	G7	J7	K7
D14	G14	P3	A4	G12	J12	K12
D15	G15	P6	A6	G13	J13	K13
E6	H8	P9	A10	H6	L9	L6
E7	H9	P12	A13	H7	L12	L7
E8	H10	P15	A14	H12	M9	L10
E10	J8	P16	A17	H13	M12	L13
E11	J10	P17	A18	L8	N9	M6
E12	K4	R2	B6	L11	N12	M7
E13	K5	R3	B7	M8		M10
F8	K8	R9	B10	M11		N10
F10	K10	R12		N8		
G4	K14	R15		N11		
G5	N4	R16				
G8	N5	R17				

Table 21 PES4T4G2 Power Pins

**Ground Pins**

<b>V<sub>SS</sub></b>	<b>V<sub>SS</sub></b>	<b>V<sub>SS</sub></b>	<b>V<sub>SS</sub></b>	<b>V<sub>SS</sub></b>	<b>V<sub>SS</sub></b>
A1	D18	G17	M16	T3	U3
A5	E3	G18	N1	T4	U9
A7	E9	H3	N2	T5	U12
A11	E16	H11	N3	T6	U15
A15	F3	H16	N6	T7	U16
A16	F6	J3	N7	T8	U17
B3	F7	J9	N13	T9	U18
B16	F9	J11	N14	T10	V1
C3	F11	J16	N16	T11	V3
C6	F12	K3	N17	T12	V9
C16	F13	K9	N18	T13	V12
D1	F16	K11	P1	T14	V15
D2	G1	K16	P18	T15	V16
D3	G2	L3	R1	T16	V17
D6	G3	L16	R18	T17	V18
D16	G11	M3	T1	T18	
D17	G16	M13	T2	U1	

Table 22 PES4T4G2 Ground Pins

## Signals Listed Alphabetically

Signal Name	I/O Type	Location	Signal Category
CCLKDS	I	C10	System
CCLKUS	I	D9	
GPIO_00	I/O	A12	General Purpose Input/Output
GPIO_01	I/O	B12	
GPIO_02	I/O	C12	
GPIO_07	I/O	D12	
GPIO_08	I/O	D13	
GPIO_09	I/O	C13	
GPIO_10	I/O	B13	
JTAG_TCK	I	C7	
JTAG_TDI	I	A8	
JTAG_TDO	O	D7	
JTAG_TMS	I	B8	
JTAG_TRST_N	I	C8	
MSMBCLK	I/O	D8	SMBus
MSMBDAT	I/O	A9	
NO CONNECTION	See Table 20		
PE0RN00	I	P14	PCI Express
PE0RP00	I	R14	
PE0TN00	O	U14	
PE0TP00	O	V14	
PE1RN00	I	P8	
PE1RP00	I	R8	
PE1TN00	O	U8	
PE1TP00	O	V8	
PE2RN00	I	M5	
PE2RP00	I	M4	
PE2TN00	O	M2	
PE2TP00	O	M1	
PE3RN00	I	F5	
PE3RP00	I	F4	
PE3TN00	O	F2	
PE3TP00	O	F1	

Table 23 89PES4T4G2 Alphabetical Signal List (Part 1 of 2)

Signal Name	I/O Type	Location	Signal Category
PEREFCLKN	I	U2	PCI Express (cont.)
PEREFCLKP	I	V2	
PERSTN	I	D11	System
REFRES0	I/O	V6	SerDes Reference Resistors
REFRES1	I/O	U6	
REFRES2	I/O	K1	
REFRES3	I/O	K2	
SSMBCLK	I/O	B9	SMBus
SSMBDAT	I/O	C9	
SWMODE_0	I	D10	System
SWMODE_1	I	B11	
SWMODE_2	I	C11	
$V_{DDCORE}$ , $V_{DDI/O}$ , $V_{DDPEA}$ , $V_{DDPEHA}$ , $V_{DDPETA}$	See Table 21 for a listing of power pins.		
$V_{SS}$	See Table 22 for a listing of ground pins.		

Table 23 89PES4T4G2 Alphabetical Signal List (Part 2 of 2)



**PES4T4G2 — Package Trace Length**

<b>Signal Name</b>	<b>Conductor Length (microns)</b>
PE0RN00	6476.76
PE0RP00	6852.44
PE0TN00	9779.14
PE0TP00	9830.77
PE1RN00	3844.19
PE1RP00	4219.88
PE1TN00	7518.88
PE1TP00	7605.87
PE2RN00	2227.99
PE2RP00	2600.58
PE2TN00	5462.64
PE2TP00	5576.55
PE3RN00	9181.06
PE3RP00	9541.52
PE3TN00	10606.88
PE3TP00	10747.72
PEREFCLKN	12558.62
PEREFCLKP	12641.05

Table 24 Signal Trace Length

### PES4T4G2 Pinout — Top View

	1	2	3	4	5	6	7	8	9	10	11	12	13	14	15	16	17	18	
A																			A
B																			B
C																			C
D																			D
E																			E
F																			F
G																			G
H																			H
J																			J
K																			K
L																			L
M																			M
N																			N
P																			P
R																			R
T																			T
U																			U
V																			V

	V <sub>DD</sub> Core (Power)		V <sub>DD</sub> PETA (Power)		V <sub>ss</sub> (Ground)		Signals
	V <sub>DD</sub> I/O (Power)		V <sub>DD</sub> PEA (Power)		No Connect		No Connect
	V <sub>DD</sub> PEHA (Power)						



PES4T4G2 Package Drawing — Page Two

REVISIONS		DATE	APPROVED
REV	DESCRIPTION	DATE	APPROVED
00	INITIAL RELEASE	04/10/07	

**NOTES:**

- 1 ALL DIMENSIONING AND TOLERANCING CONFORM TO ANSI Y14.5M-1982
- 2 "e" REPRESENTS THE BASIC SOLDER BALL GRID PITCH
- 3 "M" REPRESENTS THE MAXIMUM SOLDER BALL MATRIX SIZE
- 4 "N" REPRESENTS THE BALLCOUNT NUMBER

△ DIMENSION "b" IS MEASURED AT THE MAXIMUM SOLDER BALL DIAMETER, PARALLEL TO PRIMARY DATUM -C-

△ SEATING PLANE AND PRIMARY DATUM -C- ARE DEFINED BY THE SPHERICAL CROWNS OF THE SOLDER BALLS

△ "A1" ID CORNER MUST BE IDENTIFIED BY CHAMFER, INK MARK, METALLIZED MARKING, INDENTATION OR OTHER FEATURE ON PACKAGE BODY

△ EXACT SHAPE OF EACH CORNER IS OPTIONAL

9 ALL DIMENSIONS ARE IN MILLIMETERS

SYMBOL	JEDEC VARIATION			NOTE
	MIN	NOM	MAX	
A	—	—	3.42	
A1	.30	—	—	
A2	2.16	—	2.82	
D	19.00 BSC			
E	19.00 BSC			
M	18			3
N	324			4
e	1.00 BSC			
b	.50	.60	.70	5
CENTER BALL MATRIX	N/A			

**BOTTOM VIEW**  
(BALL SIDE VIEW)

<b>IDT™</b>	2975 Skender Way Santa Clara, CA 95054 PHONE: (408) 727-6116 FAX: (408) 492-8674
TOLERANCES UNLESS SPECIFIED ARE ANGULAR ± .004	WWW.IDT.COM
APPROVALS	DATE
DRAWN: JTY	04/10/07
CHECKED:	TITLE: BU/BR/AL/AR 324 PACKAGE OUTLINE
SIZE: C	19.0 X 19.0 mm BODY 1.00 mm BALLPITCH FCBCA
DRAWING No.	PSC-4211
DO NOT SCALE DRAWING	REV: 00
	SHEET 2 OF 2

## Revision History

**January 15, 2009:** Publication of final data sheet.

**February 11, 2009:** Revised AC Timing Characteristics table and DC Electrical Characteristics table to correct typos.

**March 6, 2009:** Added industrial temperature.

**April 7, 2009:** In Valid Combinations, changed ZB to ZC silicon for commercial temperature.

**April 17, 2009:** In Table 15, Power Dissipation value was changed to 2.31.

**February 2, 2010:** Added new section Absolute Maximum Voltage Rating with table.

**September 13, 2010:** In Table 7, changed Buffer type for PCI Express from CML to PCIe differential and changed reference clocks to HCSL.

**March 30, 2011:** In Table 12, added VddPETA to footnote #1.

**May 23, 2013:** In the Features section, added reference to SECDED ECC under Reliability, Availability, Serviceability bullet.

## Ordering Information

Product Family	Operating Voltage	Device Family	Product Detail	Generation Series	Device Revision	Package	Temp Range	
Blank								Commercial Temperature (0°C to +70°C Ambient)
							I	Industrial Temperature (-40° C to +85° C Ambient)
						AL		324-ball FCBGA
						ALG		324-ball FCBGA, Green
					ZC			ZC revision
				G2				PCIe Gen 2
			4T4					4-lane, 4-port
		PES						PCI Express Switch
	H							1.0V +/- 0.1V Core Voltage
89								Serial Switching Product

**Legend**  
 A = Alpha Character  
 N = Numeric Character

### Valid Combinations

- 89HPES4T4G2ZCAL 324-ball FCBGA package, Commercial Temperature
- 89HPES4T4G2ZCALG 324-ball Green FCBGA package, Commercial Temperature
- 89HPES4T4G2ZCALI 324-ball FCBGA package, Industrial Temperature
- 89HPES4T4G2ZCALGI 324-ball Green FCBGA package, Industrial Temperature



**CORPORATE HEADQUARTERS**  
 6024 Silver Creek Valley Road  
 San Jose, CA 95138

**for SALES:**  
 800-345-7015 or 408-284-8200  
 fax: 408-284-2775  
[www.idt.com](http://www.idt.com)

**for Tech Support:**  
 email: [ssdhelp@idt.com](mailto:ssdhelp@idt.com)  
 phone: 408-284-8208

Компания «Океан Электроники» предлагает заключение долгосрочных отношений при поставках импортных электронных компонентов на взаимовыгодных условиях!

Наши преимущества:

- Поставка оригинальных импортных электронных компонентов напрямую с производств Америки, Европы и Азии, а так же с крупнейших складов мира;
- Широкая линейка поставок активных и пассивных импортных электронных компонентов (более 30 млн. наименований);
- Поставка сложных, дефицитных, либо снятых с производства позиций;
- Оперативные сроки поставки под заказ (от 5 рабочих дней);
- Экспресс доставка в любую точку России;
- Помощь Конструкторского Отдела и консультации квалифицированных инженеров;
- Техническая поддержка проекта, помощь в подборе аналогов, поставка прототипов;
- Поставка электронных компонентов под контролем ВП;
- Система менеджмента качества сертифицирована по Международному стандарту ISO 9001;
- При необходимости вся продукция военного и аэрокосмического назначения проходит испытания и сертификацию в лаборатории (по согласованию с заказчиком);
- Поставка специализированных компонентов военного и аэрокосмического уровня качества (Xilinx, Altera, Analog Devices, Intersil, Interpoint, Microsemi, Actel, Aeroflex, Peregrine, VPT, Syfer, Eurofarad, Texas Instruments, MS Kennedy, Miteq, Cobham, E2V, MA-COM, Hittite, Mini-Circuits, General Dynamics и др.);

Компания «Океан Электроники» является официальным дистрибьютором и эксклюзивным представителем в России одного из крупнейших производителей разъемов военного и аэрокосмического назначения «JONHON», а так же официальным дистрибьютором и эксклюзивным представителем в России производителя высокотехнологичных и надежных решений для передачи СВЧ сигналов «FORSTAR».



## JONHON

«JONHON» (основан в 1970 г.)

Разъемы специального, военного и аэрокосмического назначения:

(Применяются в военной, авиационной, аэрокосмической, морской, железнодорожной, горно- и нефтедобывающей отраслях промышленности)

«FORSTAR» (основан в 1998 г.)

ВЧ соединители, коаксиальные кабели, кабельные сборки и микроволновые компоненты:

(Применяются в телекоммуникациях гражданского и специального назначения, в средствах связи, РЛС, а так же военной, авиационной и аэрокосмической отраслях промышленности).



Телефон: 8 (812) 309-75-97 (многоканальный)

Факс: 8 (812) 320-03-32

Электронная почта: [ocean@oceanchips.ru](mailto:ocean@oceanchips.ru)

Web: <http://oceanchips.ru/>

Адрес: 198099, г. Санкт-Петербург, ул. Калинина, д. 2, корп. 4, лит. А