

| REVISIONS |                                           |           |          |
|-----------|-------------------------------------------|-----------|----------|
| LTR       | DESCRIPTION                               | DATE      | APPROVED |
| D         | REVISED PER ECN T-14105 (LANYARD WAS 6in) | 90MAR29   | Z. TEMAN |
| E         | REVISED PER ECN# T-17959                  | 93JAN06   | Z. TEMAN |
| F         | REVISED PER ECN# T-21489                  | 6/10/97   | Z. TEMAN |
| F1        | REVISED DWG PER ECO-11-009073             | 5/02/2011 | E.CHEN   |

NOTE: (-L) ADDED TO D-621-04XX NUMBER INDICATES LANYARD (See Sheets 3 and 4),


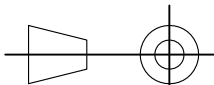


(TRIAXIAL CONNECTOR, PLUG WEIGHT: 16 GRAMS MAX.)

If this document is printed it becomes uncontrolled. Check for the latest revision

© 2011 Tyco Electronics Corporation. All Rights Reserved.

Raychem Databus  
CUSTOMER DRAWING

|                                                                                                                                                                                                                |                                      |                                                                                     |            |                                                                                                                                                                                                             |      |                 |          |     |   |       |                   |    |
|----------------------------------------------------------------------------------------------------------------------------------------------------------------------------------------------------------------|--------------------------------------|-------------------------------------------------------------------------------------|------------|-------------------------------------------------------------------------------------------------------------------------------------------------------------------------------------------------------------|------|-----------------|----------|-----|---|-------|-------------------|----|
| UNLESS OTHERWISE SPECIFIED DIMENSIONS ARE IN INCHES. METRIC DIMENSIONS ARE IN BRACKETS.<br><br>DECIMALS<br>.XXX ± .005 { — mm }<br>.XX ± .01 { — mm }<br>ANGLES<br>.X ± 1°<br><br>WEIGHT<br>— lbs { — g MAX. } | DRAWN                                | J.B.K.                                                                              | 89 JULY 21 | <br>TE Connectivity<br><br>TITLE<br>CORROSION RESISTANT CONNECTOR,<br>TRIAXIAL, BAYONET COUPLED,<br>RESISTOR TERMINATOR |      |                 |          |     |   |       |                   |    |
|                                                                                                                                                                                                                | CHECKED                              |                                                                                     |            |                                                                                                                                                                                                             |      |                 |          |     |   |       |                   |    |
|                                                                                                                                                                                                                | APPROVED                             |                                                                                     |            |                                                                                                                                                                                                             |      |                 |          |     |   |       |                   |    |
|                                                                                                                                                                                                                | APPROVED                             | Z.TEMAN                                                                             | 89 JULY 26 |                                                                                                                                                                                                             |      |                 |          |     |   |       |                   |    |
|                                                                                                                                                                                                                | CAD NAME<br>D-621-0453_0484-La_CD_F1 |                                                                                     |            |                                                                                                                                                                                                             |      |                 |          |     |   |       |                   |    |
|                                                                                                                                                                                                                | THIRD ANGLE PROJECTION               |  |            | <table border="1"> <tr> <td>SIZE</td> <td>CODE IDENT. NO.</td> <td>DWG. NO.</td> <td>REV</td> </tr> <tr> <td>A</td> <td>06090</td> <td>D-621-0453/0484-L</td> <td>F1</td> </tr> </table>                    | SIZE | CODE IDENT. NO. | DWG. NO. | REV | A | 06090 | D-621-0453/0484-L | F1 |
| SIZE                                                                                                                                                                                                           | CODE IDENT. NO.                      | DWG. NO.                                                                            | REV        |                                                                                                                                                                                                             |      |                 |          |     |   |       |                   |    |
| A                                                                                                                                                                                                              | 06090                                | D-621-0453/0484-L                                                                   | F1         |                                                                                                                                                                                                             |      |                 |          |     |   |       |                   |    |
| DO NOT SCALE THIS DRAWING                                                                                                                                                                                      |                                      |                                                                                     |            | SHEET 1 OF 7                                                                                                                                                                                                |      |                 |          |     |   |       |                   |    |





(TRIAxIAL CONNECTOR, JACK WEIGHT: 14 GRAMS MAX.)

Raychem Databus  
CUSTOMER DRAWING

If this document is printed it becomes uncontrolled. Check for the latest revision



TE Connectivity

|                                       |        |        |            |                           |                          |                               |           |
|---------------------------------------|--------|--------|------------|---------------------------|--------------------------|-------------------------------|-----------|
| CAD NAME:<br>D-621-0453_0484-Lb_CD_F1 | DRAWN  | J.B.K. | 89 JULY 21 | SIZE<br>A                 | CODE IDENT. NO.<br>06090 | DWG. NO.<br>D-621-0453/0484-L | REV<br>F1 |
|                                       | ISSUED |        |            | DO NOT SCALE THIS DRAWING |                          | SHEET 2 OF 7                  |           |





(TRIAxIAL CONNECTOR, WITH LANYARD, PLUG WEIGHT: 21 GRAMS MAX.)

Raychem Databus  
**CUSTOMER DRAWING**

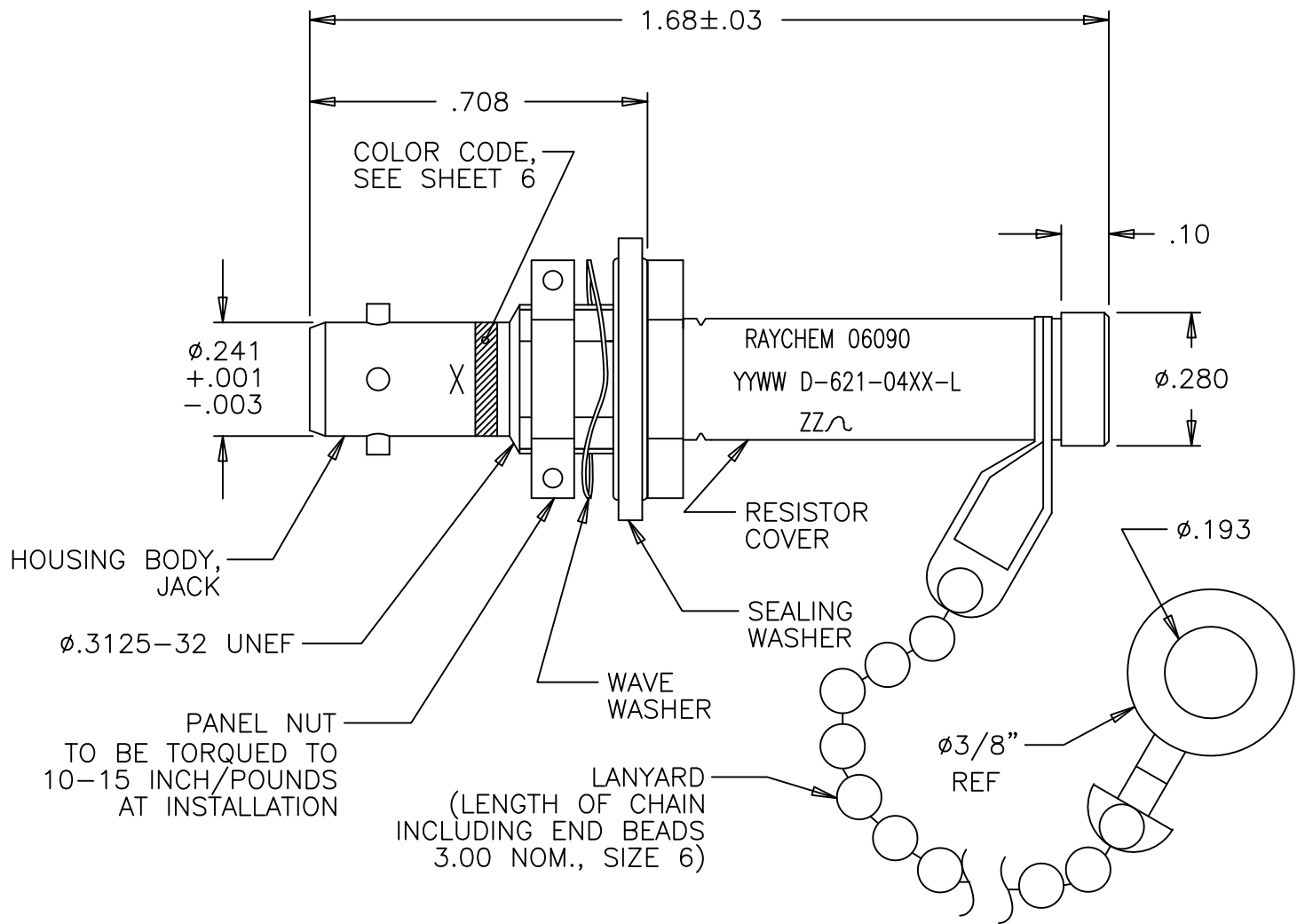
If this document is printed it becomes uncontrolled. Check for the latest revision



TE Connectivity

|                                       |        |        |           |                           |                          |                               |           |
|---------------------------------------|--------|--------|-----------|---------------------------|--------------------------|-------------------------------|-----------|
| CAD NAME:<br>D-621-0453_0484-Lc_CD_F1 | DRAWN  | J.B.K. | 89 AUG 25 | SIZE<br>A                 | CODE IDENT. NO.<br>06090 | DWG. NO.<br>D-621-0453/0484-L | REV<br>F1 |
|                                       | ISSUED |        |           | DO NOT SCALE THIS DRAWING |                          | SHEET 3 OF 7                  |           |





TRIAxIAL CONNECTOR, WITH LANYARD, JACK WEIGHT: 19 GRAMS MAX.)

Raychem Databus  
CUSTOMER DRAWING

If this document is printed it becomes uncontrolled. Check for the latest revision



TE Connectivity

|                                       |        |        |            |      |                 |                   |     |
|---------------------------------------|--------|--------|------------|------|-----------------|-------------------|-----|
| CAD NAME:<br>D-621-0453_0484-Ld_CD_F1 | DRAWN  | J.B.K. | 89 JULY 21 | SIZE | CODE IDENT. NO. | DWG. NO.          | REV |
|                                       | ISSUED |        |            | A    | 06090           | D-621-0453/0484-L | F1  |
| DO NOT SCALE THIS DRAWING             |        |        |            |      |                 | SHEET 4 OF 7      |     |





1.0 MATERIALS AND FINISHES

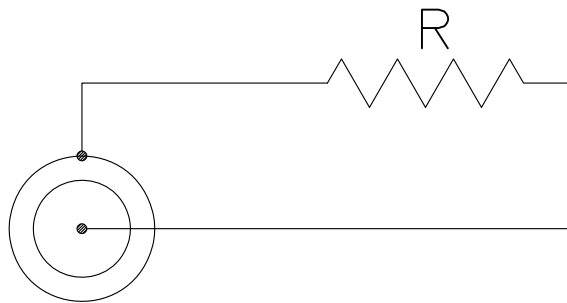
- 1.1 HOUSING BODY: BECU PER ASTM B 196, TIN PLATED PER MIL-T-10727, OVER NICKEL PER QQ-N-290
- 1.1.1 INSULATION: POLYETHERSULFONE
- 1.2 COUPLING NUT: BECU PER ASTM B 196, TIN PLATED PER MIL-T-10727, OVER NICKEL PER QQ-N-290  
(PLUG)
- 1.2.1 INTERFACIAL SEAL: SILICONE RUBBER
- 1.3 PANEL NUT: BRASS ALLOY PER ASTM B16, TIN PLATED PER MIL-T-10727  
(JACK)
- 1.4 WAVE WASHER: BECU PER ASTM B194, TIN PLATED PER MIL-T-10727  
(JACK)
- 1.5 SEALING WASHER: SILICONE RUBBER (AMS 3304), STAINLESS STEEL PER  
(JACK) MIL-S-5059, PASSIVATED PER QQ-P-35.
- 1.6 RESISTOR COVER: 300 SERIES STAINLESS STEEL PER ASTM A582,  
TIN PLATED PER MIL-T-10727,  
OVER NICKEL PER MIL-C-26074
- 1.7 LANYARD: CORROSION RESISTANT STEEL,  
TIN PLATED PER MIL-T-10727,  
OVER NICKEL PER QQ-N-290

2.0 PERFORMANCE CAPABILITIES

2.1 REFER TO RAYCHEM SPECIFICATION D-6025 (SUPERSEDES D-6050) AND D-6020 FOR PERFORMANCE AND QUALIFICATION REQUIREMENTS.

2.2 GENERAL CHARACTERISTICS.

- 2.2.1 OPERATING TEMPERATURE: -65°C TO 125°C
- 2.2.2 INSULATION RESISTANCE: GREATER THEN 5K MEG \*
- 2.2.3 DIELECTRIC STRENGTH: 900 VAC AT 60 Hz \*
- 2.2.4 POWER RATING: 1 WATT MAX.
- 2.2.5 TERMINATOR RESISTANCE: SEE RESISTANCE VALUES, SHEET 7 OF 7
- 2.2.6 SALT SPRAY CORROSION RESISTANCE: 500 HOURS



\* BETWEEN INNER COAXIAL CONTACT AND OUTER HOUSING

R = SEE SHEET 7 OF 7 FOR RESISTANCE VALUE ±2%

Raychem Databus  
**CUSTOMER DRAWING**

If this document is printed it becomes uncontrolled. Check for the latest revision

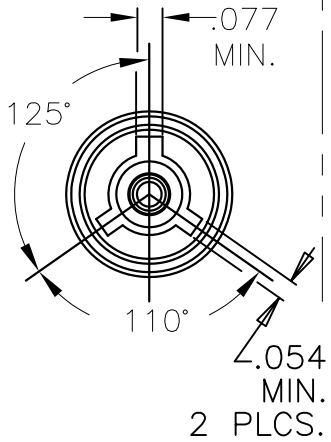


TE Connectivity

|                                       |        |        |            |      |                 |                   |     |
|---------------------------------------|--------|--------|------------|------|-----------------|-------------------|-----|
| CAD NAME:<br>D-621-0453_0484-Le_CD_F1 | DRAWN  | J.B.K. | 89 JULY 21 | SIZE | CODE IDENT. NO. | DWG. NO.          | REV |
|                                       | ISSUED |        |            | A    | 06090           | D-621-0453/0484-L | F1  |
| DO NOT SCALE THIS DRAWING             |        |        |            |      |                 | SHEET 5 OF 7      |     |

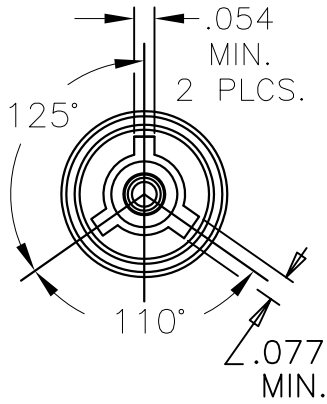


INTERFACE  
"A"  
PLUG



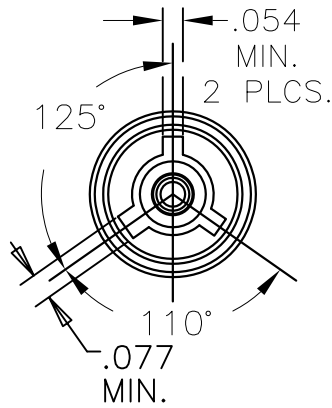
COLOR CODE: RED

INTERFACE  
"B"  
PLUG



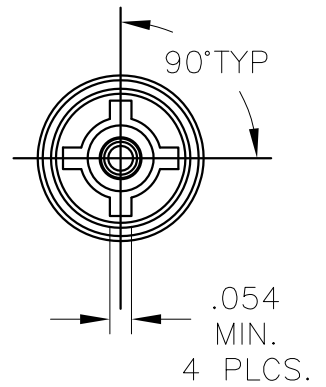
COLOR CODE: WHITE

INTERFACE  
"C"  
PLUG



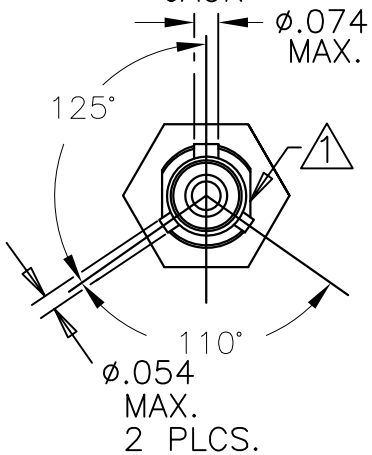
COLOR CODE: GREEN

INTERFACE  
"D"  
PLUG

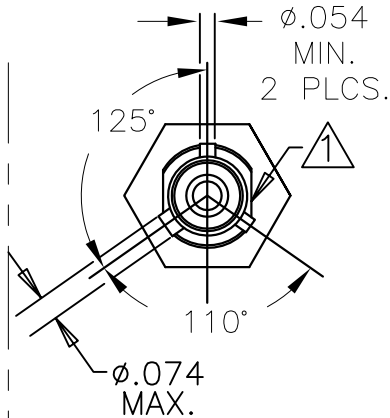


NO COLOR CODE

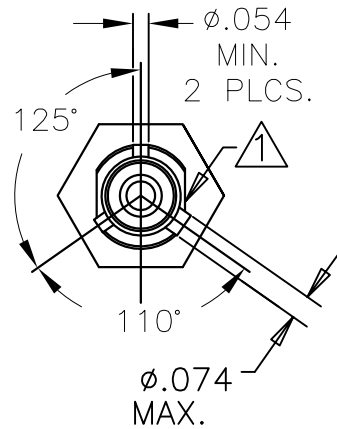
JACK



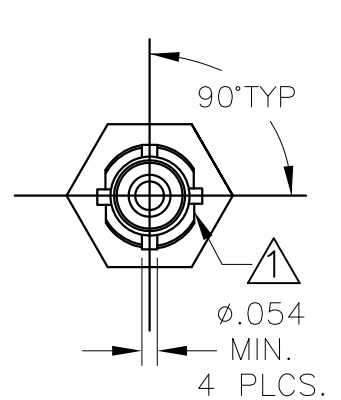
JACK



JACK



JACK



NOTES:

① MAJOR KEY ORIENTATION WITH RESPECT TO FLATS IS NOT CONTROLLED.

Raychem Databus  
CUSTOMER DRAWING

If this document is printed it becomes uncontrolled. Check for the latest revision



TE Connectivity

CAD NAME:

D-621-0453\_0484-Lf\_CD\_F1

DRAWN

J.B.K.

89 JULY 21

SIZE

A

CODE IDENT. NO.

06090

DWG. NO.

D-621-0453/0484-L

REV

F1

DO NOT SCALE THIS DRAWING

SHEET 6 OF 7

NOTES:

- ① SUFFIX -L INDICATES PARTS WITH LANYARD, SEE SHEETS 3 AND 4.  
 -L PARTS DO NOT HAVE USAF NUMBERS.

| DRAWING NO. ①  | USAF DRAWING NO. ① | DESCRIPTION |           |                   | RESISTANCE VALUE ±2% |
|----------------|--------------------|-------------|-----------|-------------------|----------------------|
|                |                    | CONNECTOR   | INTERFACE | INSTALLED CONTACT |                      |
| D-621-0453(-L) | 8912009-00-05      | PLUG        | "A"       | PIN               | 78 OHMS              |
| D-621-0454(-L) | 8912009-00-06      | PLUG        | "B"       | PIN               | 78 OHMS              |
| D-621-0455(-L) | 8912009-00-07      | PLUG        | "C"       | PIN               | 78 OHMS              |
| D-621-0456(-L) | 8912009-00-08      | PLUG        | "D"       | PIN               | 78 OHMS              |
| D-621-0457(-L) | 8912009-00-01      | PLUG        | "A"       | PIN               | 3000 OHMS            |
| D-621-0458(-L) | 8912009-00-02      | PLUG        | "B"       | PIN               | 3000 OHMS            |
| D-621-0459(-L) | 8912009-00-03      | PLUG        | "C"       | PIN               | 3000 OHMS            |
| D-621-0460(-L) | 8912009-00-12      | PLUG        | "D"       | SOCKET            | 3000 OHMS            |
| D-621-0461(-L) | 8912010-00-13      | JACK        | "A"       | SOCKET            | 78 OHMS              |
| D-621-0462(-L) | 8912010-00-14      | JACK        | "B"       | SOCKET            | 78 OHMS              |
| D-621-0463(-L) | 8912010-00-15      | JACK        | "C"       | SOCKET            | 78 OHMS              |
| D-621-0464(-L) | 8912010-00-16      | JACK        | "D"       | SOCKET            | 78 OHMS              |
| D-621-0465(-L) | 8912010-00-09      | JACK        | "A"       | SOCKET            | 3000 OHMS            |
| D-621-0466(-L) | 8912010-00-10      | JACK        | "B"       | SOCKET            | 3000 OHMS            |
| D-621-0467(-L) | 8912009-00-11      | JACK        | "C"       | SOCKET            | 3000 OHMS            |
| D-621-0468(-L) | 8912009-00-12      | JACK        | "D"       | SOCKET            | 3000 OHMS            |
| D-621-0469(-L) | 8912009-00-13      | PLUG        | "A"       | SOCKET            | 78 OHMS              |
| D-621-0470(-L) | 8912009-00-14      | PLUG        | "B"       | SOCKET            | 78 OHMS              |
| D-621-0471(-L) | 8912009-00-15      | PLUG        | "C"       | SOCKET            | 78 OHMS              |
| D-621-0472(-L) | 8912009-00-16      | PLUG        | "D"       | SOCKET            | 78 OHMS              |
| D-621-0473(-L) | 8912009-00-09      | PLUG        | "A"       | SOCKET            | 3000 OHMS            |
| D-621-0474(-L) | 8912009-00-10      | PLUG        | "B"       | SOCKET            | 3000 OHMS            |
| D-621-0475(-L) | 8912009-00-11      | PLUG        | "C"       | SOCKET            | 3000 OHMS            |
| D-621-0476(-L) | 8912009-00-04      | PLUG        | "D"       | PIN               | 3000 OHMS            |
| D-621-0477(-L) | 8912009-00-05      | JACK        | "A"       | PIN               | 78 OHMS              |
| D-621-0478(-L) | 8912009-00-06      | JACK        | "B"       | PIN               | 78 OHMS              |
| D-621-0479(-L) | 8912009-00-07      | JACK        | "C"       | PIN               | 78 OHMS              |
| D-621-0480(-L) | 8912009-00-08      | JACK        | "D"       | PIN               | 78 OHMS              |
| D-621-0481(-L) | 8912009-00-01      | JACK        | "A"       | PIN               | 3000 OHMS            |
| D-621-0482(-L) | 8912009-00-02      | JACK        | "B"       | PIN               | 3000 OHMS            |
| D-621-0483(-L) | 8912009-00-03      | JACK        | "C"       | PIN               | 3000 OHMS            |
| D-621-0484(-L) | 8912009-00-04      | JACK        | "D"       | PIN               | 3000 OHMS            |

Raychem Databus  
**CUSTOMER DRAWING**

If this document is printed it becomes uncontrolled. Check for the latest revision



TE Connectivity

|                                       |        |        |           |      |                 |                   |     |
|---------------------------------------|--------|--------|-----------|------|-----------------|-------------------|-----|
| CAD NAME:<br>D-621-0453_0484-Lg_CD_F1 | DRAWN  | J.B.K. | 89 AUG 25 | SIZE | CODE IDENT. NO. | DWG. NO.          | REV |
|                                       | ISSUED |        |           | A    | 06090           | D-621-0453/0484-L | F1  |
| DO NOT SCALE THIS DRAWING             |        |        |           |      |                 | SHEET 7 OF 7      |     |



Компания «Океан Электроники» предлагает заключение долгосрочных отношений при поставках импортных электронных компонентов на взаимовыгодных условиях!

Наши преимущества:

- Поставка оригинальных импортных электронных компонентов напрямую с производств Америки, Европы и Азии, а так же с крупнейших складов мира;
- Широкая линейка поставок активных и пассивных импортных электронных компонентов (более 30 млн. наименований);
- Поставка сложных, дефицитных, либо снятых с производства позиций;
- Оперативные сроки поставки под заказ (от 5 рабочих дней);
- Экспресс доставка в любую точку России;
- Помощь Конструкторского Отдела и консультации квалифицированных инженеров;
- Техническая поддержка проекта, помощь в подборе аналогов, поставка прототипов;
- Поставка электронных компонентов под контролем ВП;
- Система менеджмента качества сертифицирована по Международному стандарту ISO 9001;
- При необходимости вся продукция военного и аэрокосмического назначения проходит испытания и сертификацию в лаборатории (по согласованию с заказчиком);
- Поставка специализированных компонентов военного и аэрокосмического уровня качества (Xilinx, Altera, Analog Devices, Intersil, Interpoint, Microsemi, Actel, Aeroflex, Peregrine, VPT, Syfer, Eurofarad, Texas Instruments, MS Kennedy, Miteq, Cobham, E2V, MA-COM, Hittite, Mini-Circuits, General Dynamics и др.);

Компания «Океан Электроники» является официальным дистрибьютором и эксклюзивным представителем в России одного из крупнейших производителей разъемов военного и аэрокосмического назначения «JONHON», а так же официальным дистрибьютором и эксклюзивным представителем в России производителя высокотехнологичных и надежных решений для передачи СВЧ сигналов «FORSTAR».



## JONHON

«JONHON» (основан в 1970 г.)

Разъемы специального, военного и аэрокосмического назначения:

(Применяются в военной, авиационной, аэрокосмической, морской, железнодорожной, горно- и нефтедобывающей отраслях промышленности)

«FORSTAR» (основан в 1998 г.)

ВЧ соединители, коаксиальные кабели,  
кабельные сборки и микроволновые компоненты:

(Применяются в телекоммуникациях гражданского и специального назначения, в средствах связи, РЛС, а так же военной, авиационной и аэрокосмической отраслях промышленности).



Телефон: 8 (812) 309-75-97 (многоканальный)

Факс: 8 (812) 320-03-32

Электронная почта: [ocean@oceanchips.ru](mailto:ocean@oceanchips.ru)

Web: <http://oceanchips.ru/>

Адрес: 198099, г. Санкт-Петербург, ул. Калинина, д. 2, корп. 4, лит. А