

GS66508T-EVBDB2/GS66516T-EVBDB2 GaN E-HEMT Daughter Board and GS665MB-EVB Evaluation Platform

User's Guide

Visit www.gansystems.com for the latest version of this user's guide.



DANGER!

This evaluation kit is designed for engineering evaluation in a controlled lab environment and **should be handled by qualified personnel ONLY**. High voltage will be exposed on the board during the test and even brief contact during operation may result in severe injury or death.

Never leave the board operating unattended. After it is de-energized, always wait until all capacitors are discharged before touching the board.



CAUTION

This product contains parts that are susceptible to damage by electrostatic discharge (ESD). Always follow ESD prevention procedures when handling the product.

Overview

The GS665XXT-EVBDB2 daughter board evaluation kit consists of two GaN Systems 650V GaN Enhancement-mode HEMTs (E-HEMTs) and all necessary circuits including half bridge gate drivers, isolated power supplies and an optional heatsink to form a functional half bridge power stage. It allows users to easily evaluate the GaN E-HEMT performance in any half bridge-based topology, either with the universal mother board (P/N: GS665MB-EVB) or users' own system design for quick prototyping.

Features

- Serves as a reference design and evaluation tool as well as deployment-ready solution for easy in-system evaluation.
- Vertical mount style with height of 35mm, which fits in majority of 1U design and allows evaluation of GaN E-HEMT in traditional through-hole type power supply board.
- Current shunt position for switching characterization testing
- Universal form factor and footprint for all products

The daughter board and universal mother board ordering part numbers are below:

Table 1 Ordering part numbers

Part Number	GaN E-HEMT P/N:	Description
GS66508T-EVBDB2	GS66508T	GaN E-HEMT top side cooled 650V/30A, 50mΩ, Broadcom isolated driver ACPL-P346
GS66516T-EVBDB2	GS66516T	GaN E-HEMT top side cooled 650V/60A, 25mΩ, Broadcom isolated driver ACPL-P346
GS665MB-EVB	GS665MB-EVB	Universal 650V Mother Board

Control and Power I/Os

The daughter board GS665XXT-EVBDB2 circuit diagram is shown in Figure 1. The control logic inputs on 2x3 pin header J1 are listed below:

Table 2 Control pins

Pin	Description
ENA	Enable input. Internally pulled up to V _{CC} . A low logic disables all PWM gate drive outputs.
VCC	Auxiliary power supply input for logic circuit and gate driver. The daughter board has 2 isolated 5V to 10V DC/DC power supplies (split +6V / -4V) for top and bottom E-HEMTs
VDRV	Optional 9V gate drive power input. This pin allows users to supply separate gate drive power supply. By default V _{DRV} is connected to V _{CC} on the daughter board via a 0 ohm jumper FB1. If bootstrap mode is used for high side gate drive, connect V _{DRV} to 9V
PWMH	High side PWM logic input for top switch Q1. It is compatible with 3.3V and 5V
PWML	Low side PWM logic input for bottom switch Q2. It is compatible with 3.3V and 5V
0V	Logic inputs and gate drive power supply ground return.

Power pins

- VDC+: Input DC Bus voltage
- VSW: Switching node output
- VDC-: Input DC bus voltage ground return. Note that control ground 0V is isolated from VDC-.

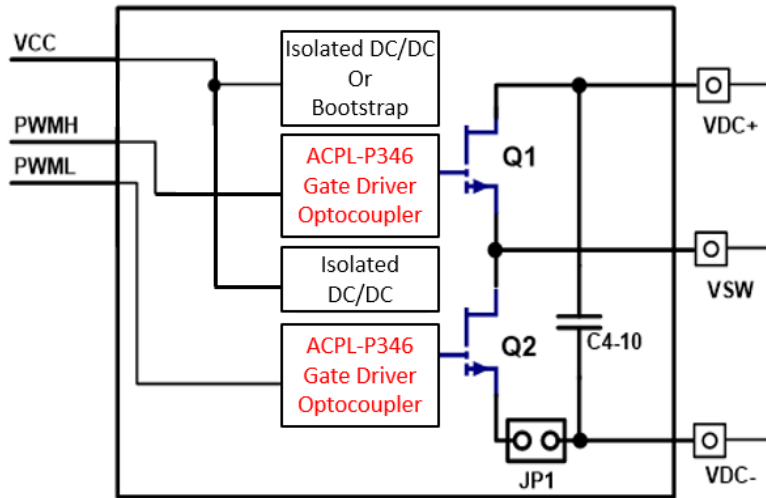


Figure 1 GS66508T/16T-EVBDB2 Evaluation Board Block Diagram

GS66508T/GS66516T-EVBDB2 half bridge daughter board

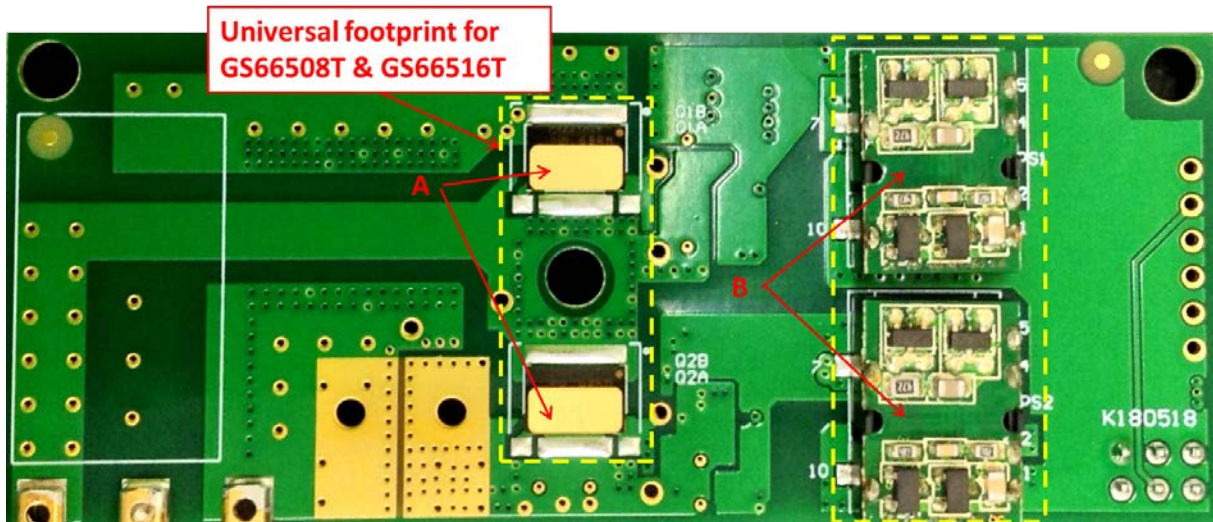


Figure 2 GS66508T/GS66516T-EVBDB2 bottom side (without heatsink)

- 2x GaN Systems 650V E-HEMT GS66508T (30A/50mΩ) or GS66516T (60A/25 mΩ). The PCB footprints are universal and compatible for both packages
- 5V to 10V (split into +6V/-4V) isolated DC/DC gate drive power supply

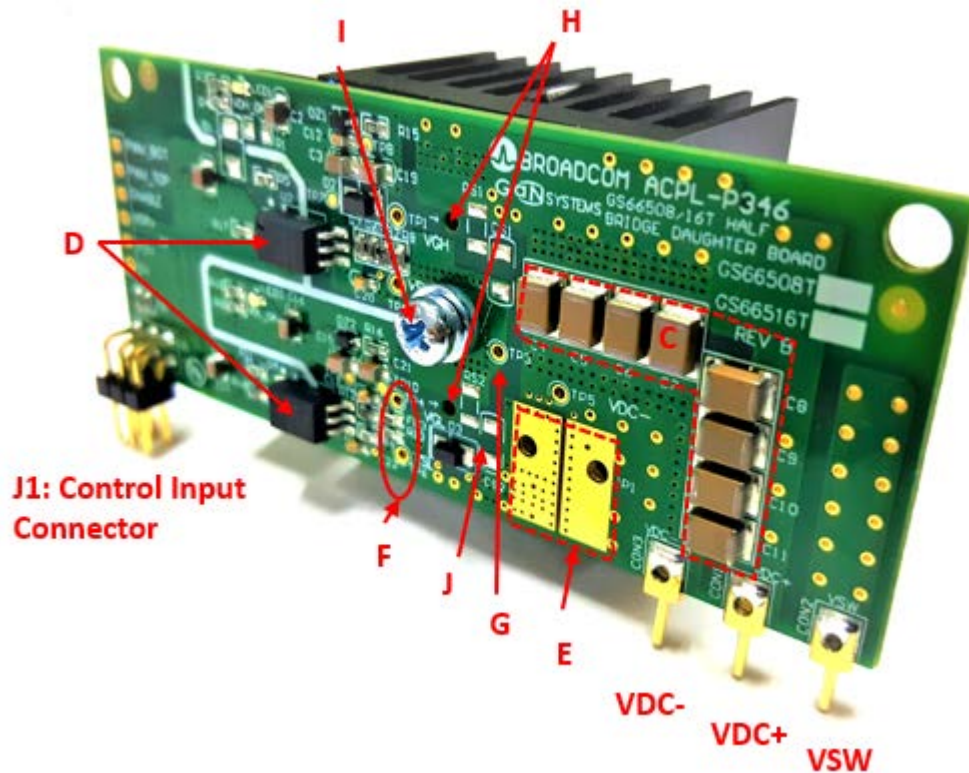


Figure 3 GS66508T/GS66516T-EVBDB2 top side

- C. Decoupling capacitors C4-C11
- D. Isolated gate driver
- E. Optional current shunt position JP1.
- F. Test points for bottom Q2 V_{GS} .
- G. Recommended probing positions for Q2 V_{DS} .
- H. Holes for temperature monitoring of Q1/Q2
- I. M3 mounting screw for heatsink
- J. (Optional) RC snubber circuit

GaN E-HEMTs

This daughter board includes two GaN Systems E-HEMTs: either two GS66508T (650V/30A, 50mΩ) or two GS66516T (650V/60A, 25mΩ) in a GaNPX® top-side cooled package. The thermal pad on top of the device is internally connected to the source. Electrical insulation will be needed for heatsink attachment. The GaNPX® T-package also features a dual symmetrical gate for easier paralleling and PCB layout.

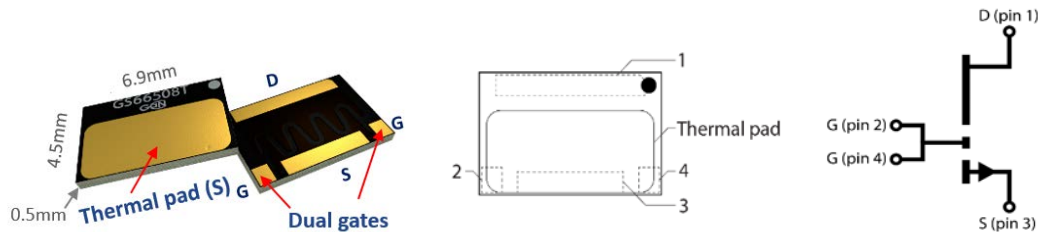


Figure 4 Package outline of GaNPX® T Package

Gate drive power supply

- A bipolar gate drive bias with +6V and -4V for turning off is chosen for this design for more robust gate drive and better noise immunity.
- 5V to +10V isolated DC/DC converters are used for gate drive. The 10V is then split into +6V and -4V bias by using a 6V Zener diode
- By default, the gate drive supply input V_{DRV} is tied to $V_{CC} +5V$ via a 0Ω jumper (FB1). Remove FB1 if separate gate drive input voltage is to be used.

Gate driver circuit

- The half bridge evaluation boards use two Broadcom gate drive optocouplers (ACPL-P346) to drive the GaN transistors directly. The ACPL-P346 gate driver optocoupler is used to isolate and drive the GaN transistor, operating at high DC bus voltage. It has a rail-to-rail output with maximum output current of 2.5A to provide fast switching high voltage and driving current to turn the GaN device on and off efficiently and reliably. The drive output is separated by a diode and a 10Ω gate resistor is used to limit the current for sourcing and a 2Ω gate resistor for sinking.
- The ACPL-P346 has a propagation delay of less than 110 ns and typical rise and fall times of approximately 8 ns. The very high Common Mode Rejection (CMR) of 100kV/us (min) isolates high transient noise during the high frequency operation and prevents erroneous outputs. It can provide isolation certified by UL 1577 for up to $V_{ISO} 3750V_{RMS}/min$ and IEC 60747-5-5 for working voltage, V_{IORM} up to 891 V_{PEAK} .
- The GaN E-HEMT switching speed and slew rate can be directly controlled by the gate resistors. By default the turn-on gate resistors, R6/R12, are 10Ω and turn-off gate resistors, R7/R14, are 2Ω. The user can adjust the values of gate resistors to fine tune the turn-on and turn-off speed.
- FB2/FB3 are footprints for optional ferrite bead. By default they are populated with 0Ω jumpers. If gate oscillation is observed, it is recommended to replace them with ferrite bead with $Z=10-20\Omega@100MHz$.

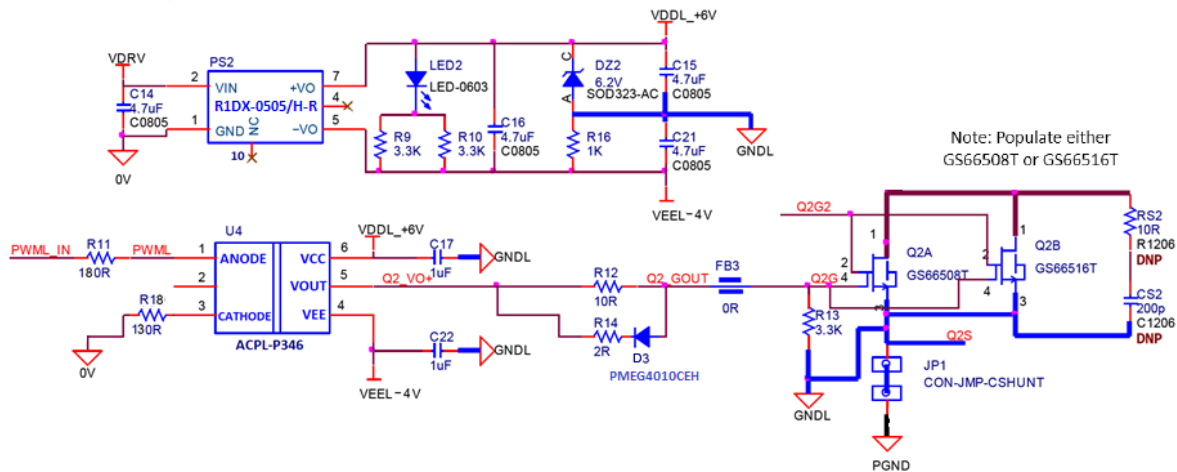


Figure 5 Gate bias and driver circuit

RC Snubber

RS1/CS1 and RS2/CS2 are place holders to allow user to experiment with the RC snubber circuit, which is not populated. At high frequency operation the power dissipation for RS1/RS2 needs to be closely watched and CS1/CS2 should be sized correctly. It is recommended to start with 33-47 pF and 10-20 Ω .

Current shunt JP1

- The board provides an optional current shunt position JP1 between the source of Q2 and power ground return. This allows drain current measurement for switching characterization test such as Eon/Eoff measurement.
- The JP1 footprint is compatible with T&M Research SDN series coaxial current shunt (recommended P/N: SDN-414-10, 2GHz B/W, 0.1 Ω)
- If current shunt is not used JP1 must be shorted. JP1 affects the power loop inductance and its inductance should be kept as low as possible. Use a copper foil or jumper with low inductance.

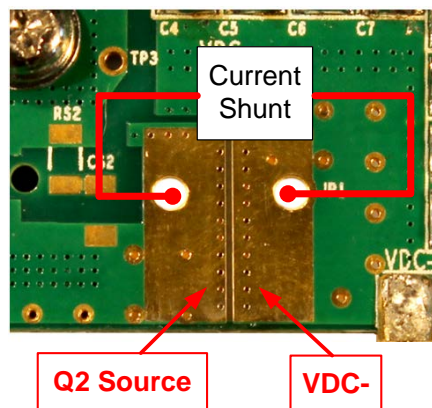


Figure 6 Recommended probe connection with current shunt



CAUTION

Check JP1 before the first time use. To complete the circuit, JP1 needs to be either shorted or a current shunt must be inserted before powering up.

Measurement with current shunt

1. When measuring VSW with current shunt, ensure all channel probe grounds and current shunt BNC output case are all referenced to the source end of Q2 before the current shunt. The recommended setup of probes is shown as below.
2. The output of coaxial current shunt can be connected to oscilloscope via 50Ω termination impedance to reduce the ringing.
3. The measured current is inverted and can be scaled by using: $I_d = V_{id} / R_{sense}$.

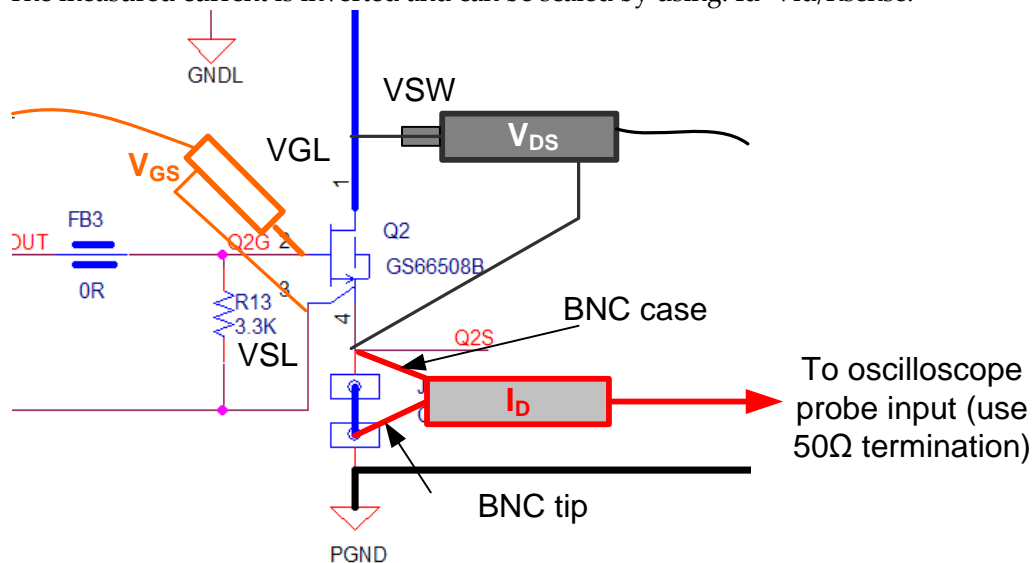


Figure 7 Recommended probe connection with current shunt

Thermal design

1. The GS66508T and GS66516T E-HEMTs have a thermal pad on the top side for improved heat dissipation. Instead of relying solely on the PCB for cooling, heat can be transferred to a heatsink directly from the top of the E-HEMT, reducing the total thermal resistance.
2. A heatsink can be mounted to the board using a M3 screw with lock washer and nylon insulated bushing. A Thermal Interface Material (TIM) is needed to provide electrical insulation and conformance to the thermal pad surface. The daughter board evaluation kit supplies with a 35x35mm heatsink with M3 tapped hole. Other heatsinks can also be used to fit users' system design.
3. **Care should be taken during the assembly of the heatsink to avoid PCB bending and mechanical stress to the GaN E-HEMT.** We recommend to limit the torque of M3 mounting screw to <1 in-lb (0.1Nm) for GS66508T and <2 in-lb (0.2Nm) for GS66516T, which translates to about ~50psi pressure on each device.



WARNING

Over-torquing the heatsink may create excess mechanical stress and could result in device failure. Always follow the maximum torque spec and attach the heatsink carefully to avoid any PCB bending or high pressing force on the devices.

- The E-HEMT case temperature, can be monitored using an IR camera or a thermocouple through two drilled holes from the top side as shown below:

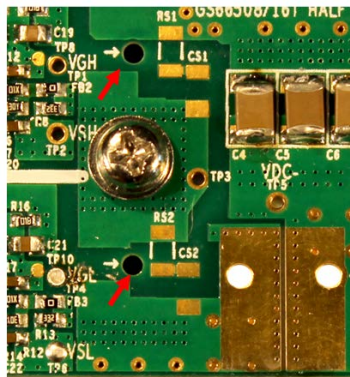


Figure 8 Location for case temperature monitoring



CAUTION

There is no on-board over-temperature protection. Monitor the E-HEMT temperature closely during the test. Never operate the board with device temperature exceeding T_{J_MAX} (150°C)

- The TIM we use on this assembly is Berguist® SilPad 1500ST, the measured total thermal resistance can be found in Figure 9. Compared to a bottom-cooled design, the top-side cooled package eliminates the PCB thermal resistance and significantly improve the thermal performance. Thermal grease is typically not needed on the assembly. If thermal grease is applied, use non-conductive and non-capacitive type thermal grease.
- Forced air cooling is recommended for power testing.

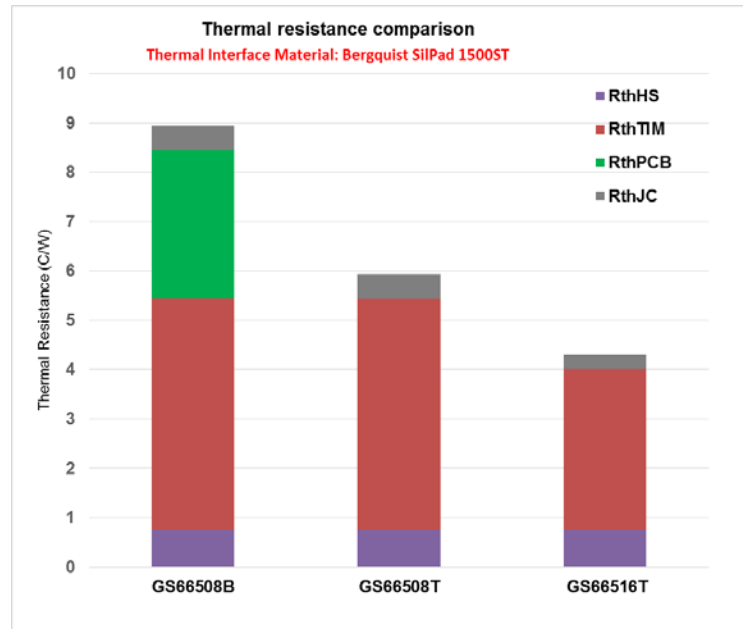


Figure 9 Evaluation board thermal resistance comparison

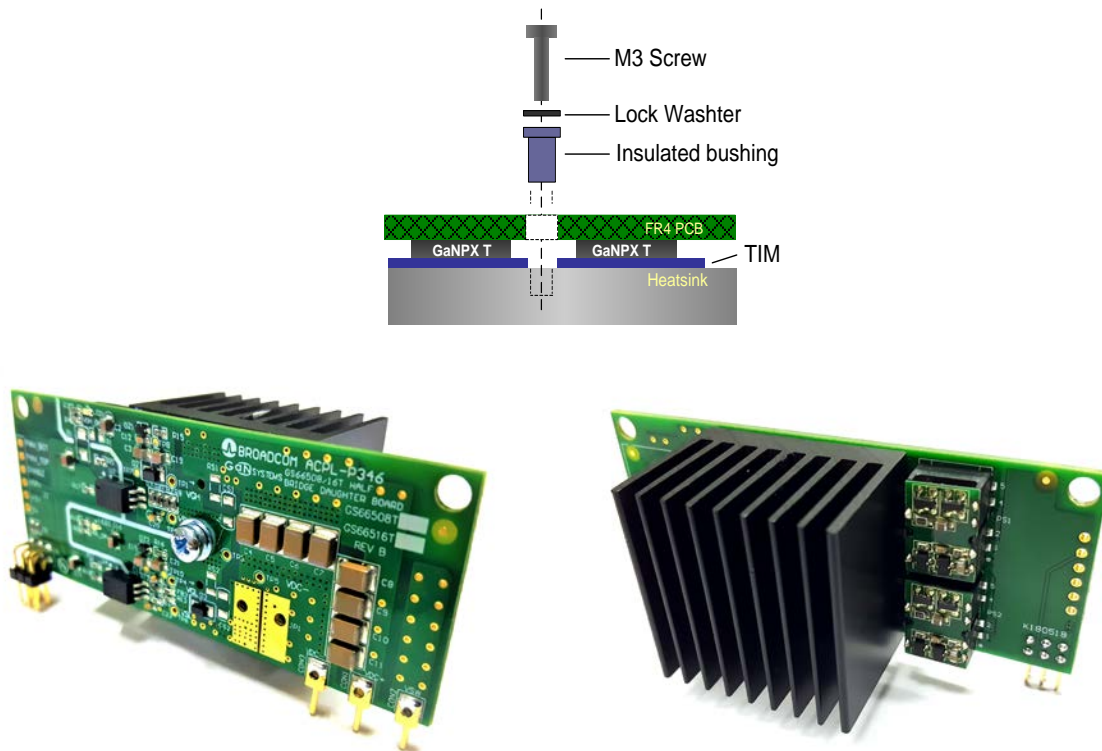


Figure 10: The daughter board assembly with heatsink attached

Using GS665XXT-EVBDB2 with universal mother board GS665MB-EVB

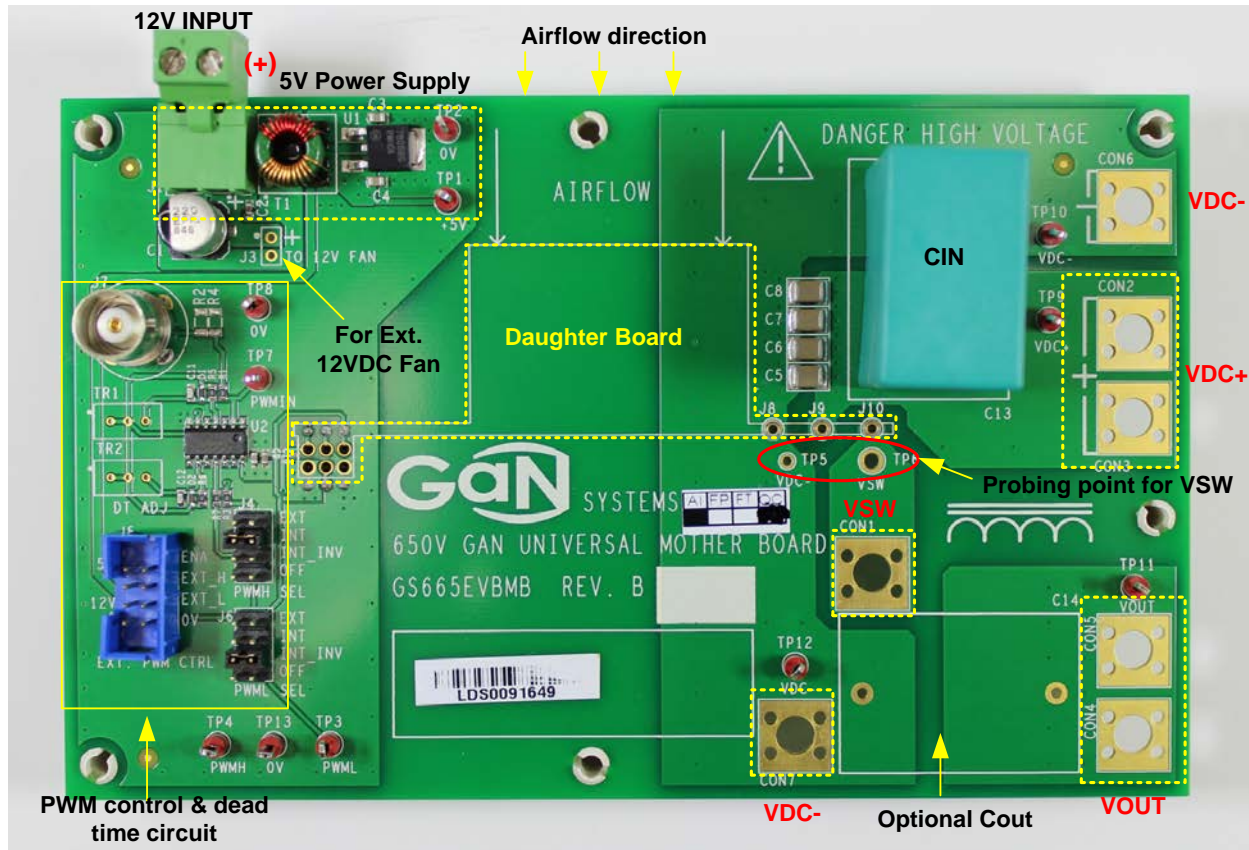


Figure 11: 650V universal mother board GS665MB-EVB

GaN Systems provides a universal 650V mother board (ordering part number: GS665MB-EVB, sold separately) that can be used as the basic evaluation platform for all the daughter boards.

The universal 650V mother board evaluation kit includes following items:

1. Mother board GS665MB-EVB
2. 12VDC Fan

12V input

The board can be powered by 9-12V on J1. On-board voltage regulator creates to 5V for daughter board and control logic circuits. J3 is used for external 12VDC fan.

PWM control circuit

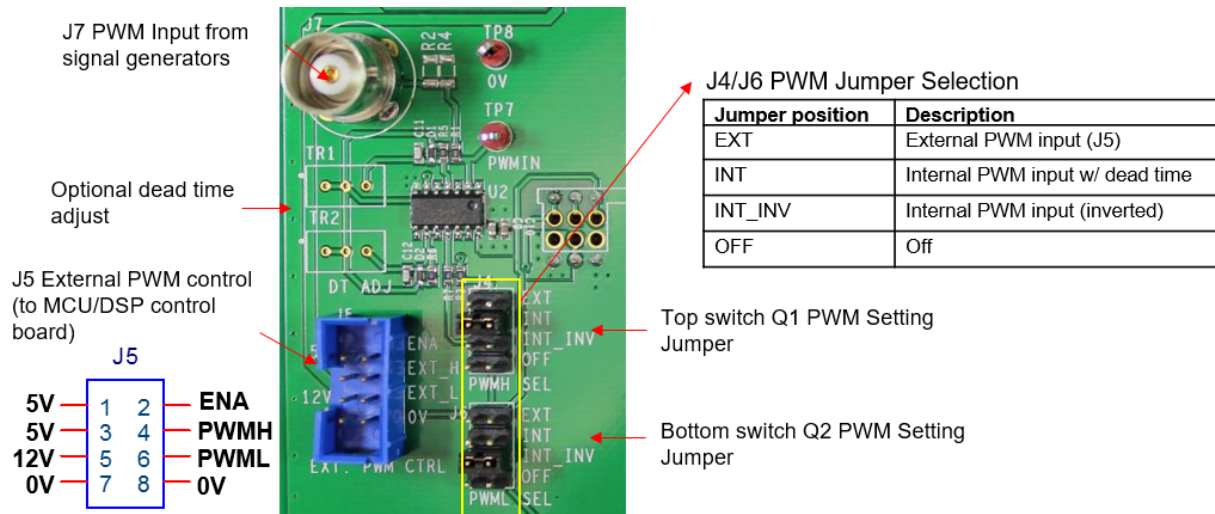


Figure 12 PWM control input and dead time circuit

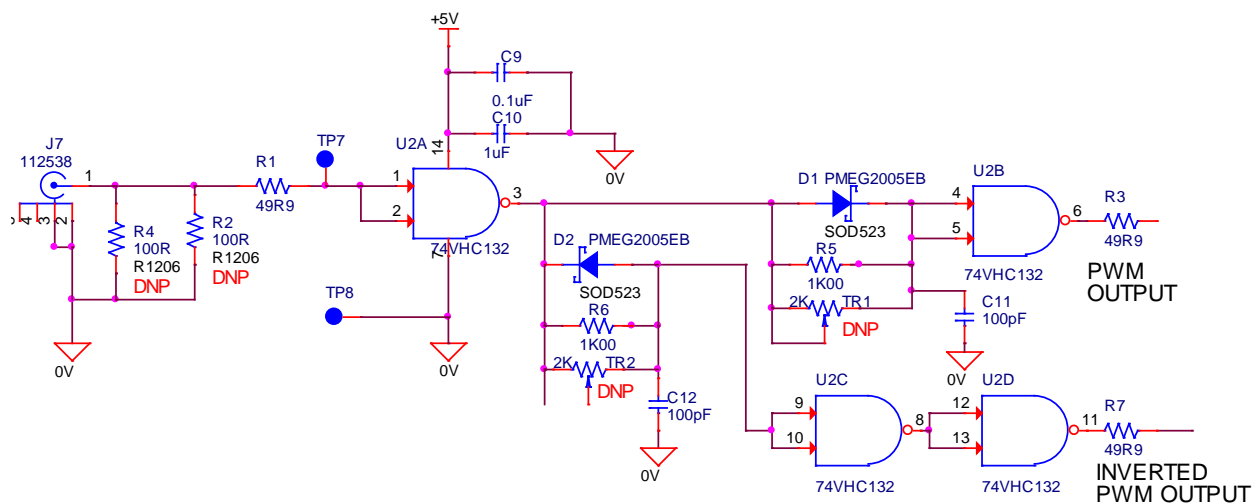


Figure 13 On board dead time generation circuit

The top and bottom switches PWM inputs can be individually controlled by two jumpers J4 and J6. Users can choose between a pair of complementary on-board internal PWM signals (non-inverted and inverted, controlled by J7 input) with dead time or external high/low side drive signals from J5 (users' own control board).

An on-board dead time generation circuit is included on the mother board. Dead time is controlled by two RC delay circuits, R6/C12 and R5/C11. The default dead time is set to about 100ns. Additionally two potentiometers locations are provided (TR1/TR2, not included) to allow fine adjustment of the dead time if needed.



WARNING

ALWAYS double check the jumper setting and PWM gate drive signals before applying power. Incorrect PWM inputs or jumper settings may cause device failures

Test points

Test points are designed in groups/pairs to facilitate probing:

Test points	Name	Description
TP1/TP2	+5V/0V	5V bias power
TP7/TP8	PWMIN/0V	PWM input signal from J7
TP4/TP3/TP13	PWMH/PWML/0V	High/low side gate signals to daughter board
TP9/TP10	VDC+/VDC-	DC bus voltage
TP11/TP12	VOUT/VDC-	Output voltage
TP6/TP5	VSW/VDC-	Switching node output voltage (for HV oscilloscope probe)

Power connections

CON1-CON7 mounting pads are designed to be compatible with following mounting terminals:

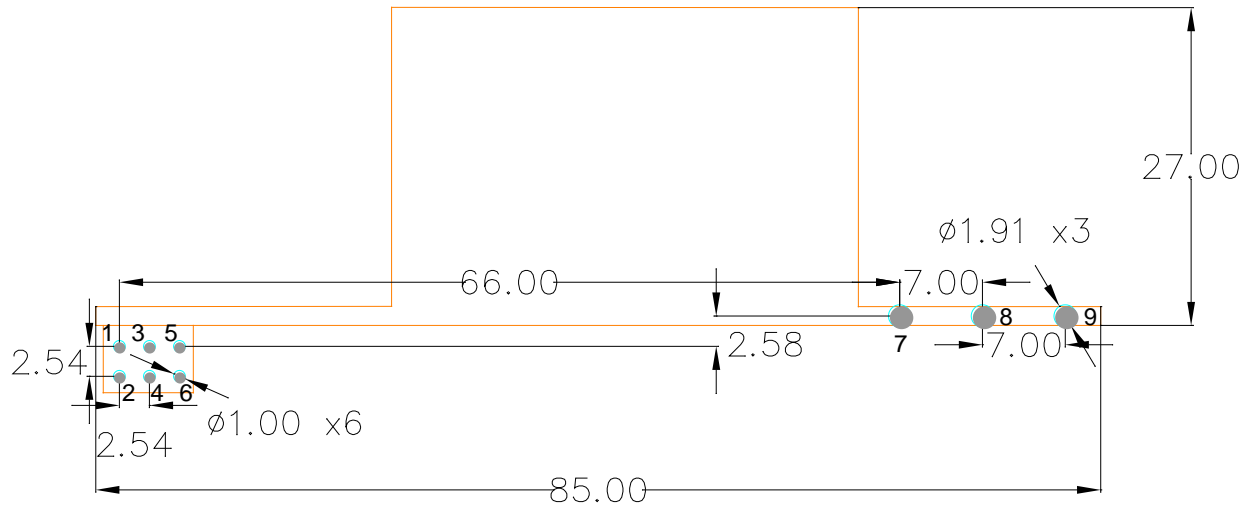
- #10-32 Screw mount,
- Banana Jack PCB mount (Keystone P/N: 575-4), or
- PC Mount Screw Terminal (Keystone P/N: 8191)

Output passives (L and C14)

An external power inductor (not included) can be connected between VSW (CON1) and VOUT (CON4/5) or VDC+ (CON2/3) for double pulse test. Users can choose the inductor size to meet their test requirements. It is generally recommended to select a power inductor with low inter-winding capacitance to obtain best switching performance. For the double pulse testing we use 2x 60uH/40A inductor (CWS, P/N: HF467-600M-40AV) in series. C14 is designed to accommodate a film capacitor as output filter.

Using GS665XXT-EVBDB2 in system

The daughter board allows users to easily evaluate the GaN performance in their own systems. Refer to the footprint drawing of GS665XXT-EVBDB2 as shown below:



1. All units are in mm.
2. Pin 1-6: Dia. 1mm
3. Pin 7-9: 1.91mm (75mil) mounting hole for Mill-max Receptacle P/N: 0312-0-15-15-34-27-10-0.

Figure 14 Recommended footprint drawing of daughter board GS665XXT-EVBDB2

Double pulse test mode

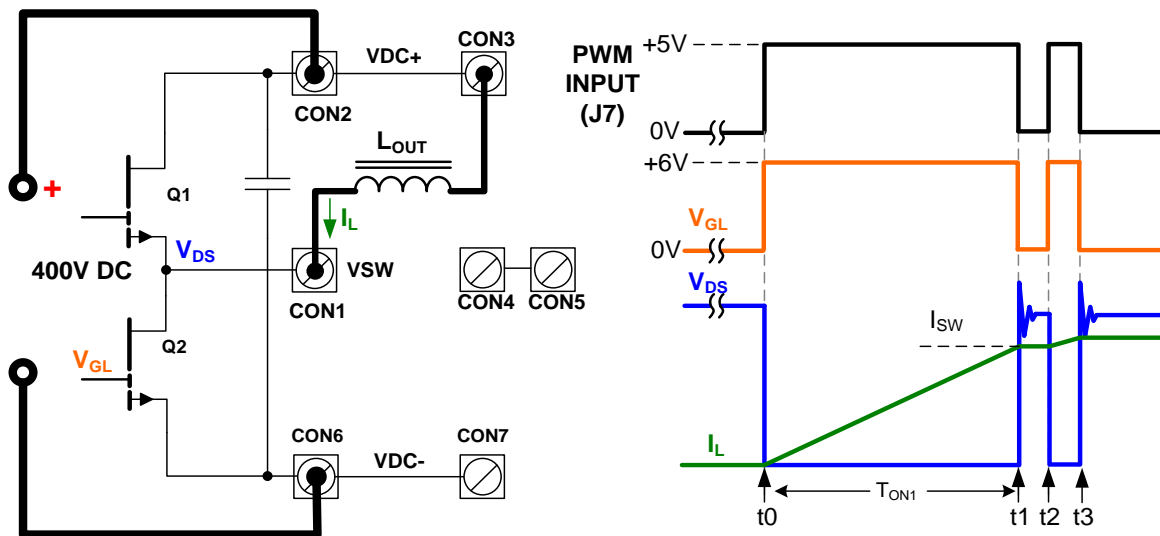


Figure 15 Double pulse test setup

Double pulse test allows easy evaluation of device switching performance at high voltage/current without the need of actually running at high power. It can also be used for switching loss (Eon/Eoff) measurement and other switching characterization parameter test.

The circuit configuration and operating principle can be found in Figure 14:

1. The output inductor is connected to the VDC+.
2. At t_0 when Q2 is switched on, the inductor current starts to ramp up until t_1 . The period of first pulse T_{ON1} defines the switching current $I_{SW} = (V_{DS} * T_{ON1}) / L$.
3. t_1 - t_2 is the free wheeling period when the inductor current I_L forces Q1 to conduct in reverse.
4. t_1 (turn-off) and t_2 (turn-on) are of interest for this test as they are the hard switching transients for the half bridge circuit when Q2 is under high switching stress.
5. The second pulse t_2 - t_3 is kept short to limit the peak inductor current at t_3 .

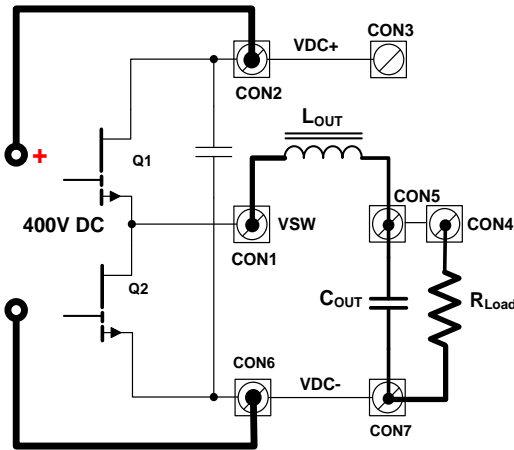
The double pulse signal can be generated using programmable signal generator or microcontroller/DSP board. As this test involves high switching stress and high current, it is recommended to set the double pulse test gate signal as single trigger mode or use long repetition period (for example >50-100ms) to void excess stress to the switches. Q1 can be kept off during the test or driven synchronously (J4 set to OFF or INT_INV) and Q2 is set to INT (or EXT position if PWM signal is from J5).



WARNING

Limit the maximum switching test current to 30A for GS66508T (60A for GS66516T) and ensure maximum drain voltage, including ringing, is kept below 650V for pulse testing. Exceeding this limit may cause damage to the devices.

Buck/Standard half bridge mode



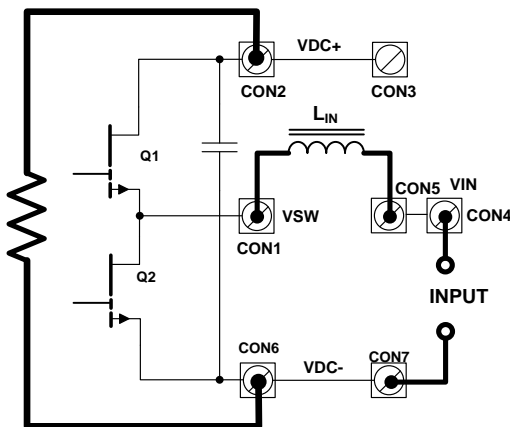
This standard half bridge configuration can be used in the following circuits :

- Synchronous Buck DC/DC
- Single phase half bridge inverter
- ZVS half bridge LLC
- Phase leg for full bridge DC/DC or
- Phase leg for a 3-phase motor drive

Jumper setting:

- J4 (Q1): INT
- J6 (Q2): INT_INV

Boost mode



When the output becomes the input and the load is attached between VDC+ and VDC-, the board is converted into a boost mode circuit and can be used for:

- Synchronous Boost DC/DC
- Totem pole bridgeless PFC

Jumper setting:

- J4 (Q1): INT_INV
- J6 (Q2): INT

Quick Start procedure – Double pulse test

Follow the instructions below to quickly get started with your evaluation of GaN E-HEMT.

Equipment and components you will need:

- Four-channel oscilloscope with 500MHz bandwidth or higher
- high bandwidth (500MHz or higher) passive probe
- high bandwidth (500MHz) high voltage probe (>600V)
- AC/DC current probe for inductor current measurement
- 12V DC power supply
- Signal generator capable of creating testing pulses
- High voltage power supply (0-400VDC) with current limit.
- External power inductor (recommend toroid inductor 50-200uH)

1. Check the JP1 on daughter board GS665XXT-EVBDB2. Use a copper foil and solder to short JP1.
2. Install GS665XXT-EVBDB2 on the mother board. Press all the way down until you feel a click.
Connect probe between VGL and VSL for gate voltage measurement.
3. Set up the mother board:
 - a. Connect 12VDC bias supply to J1.
 - b. Connect PWM input gate signal (0-5V) to J7. If it is generated from a signal generator ensure the output mode is high-Z mode.
 - c. Set J4 to OFF position and J7 to INT.
 - d. Set High voltage (HV) DC supply voltage to 0V and ensure the output is OFF. Connect HV supply to CON2 and CON6.
 - e. Use HV probe between TP6 and TP5 for Vds measurement.
 - f. Connect external inductor between CON1 and CON3. Use current probe to measure inductor current IL.
4. Set up and check PWM gate signal:
 - a. Turn-on 12VDC power.
 - b. Check the 2 LEDs on the daughter board. They should be turned on indicating the isolated 9V is present.
 - c. Set up signal generator to create the waveforms as shown in Figure 14. Use equation $I_{sw} = (V_{DS} * T_{ON1}) / L$ to calculate the pulse width of the first pulse and ensure the I_{sw_max} is $\leq 30A$ at 400VDC.
 - d. Set the operation mode to either single trigger or Burst mode with repetition period of 100ms.
 - e. Turn on the PWM output and check on the oscilloscope to make sure the VGL waveform is present and matches the PWM input.
5. Power-on:
 - a. Turn on the output of the HV supply. Start with low voltage and slowly ramp the voltage up until it reaches 400VDC. During the ramping period closely observe the the voltage and current waveforms on the oscilloscope.
6. Power-off:
 - a. After the test is complete, slowly ramp down the HV supply voltage to 0V and turn off the output. Then turn off the 12V bias supply and signal generator output.

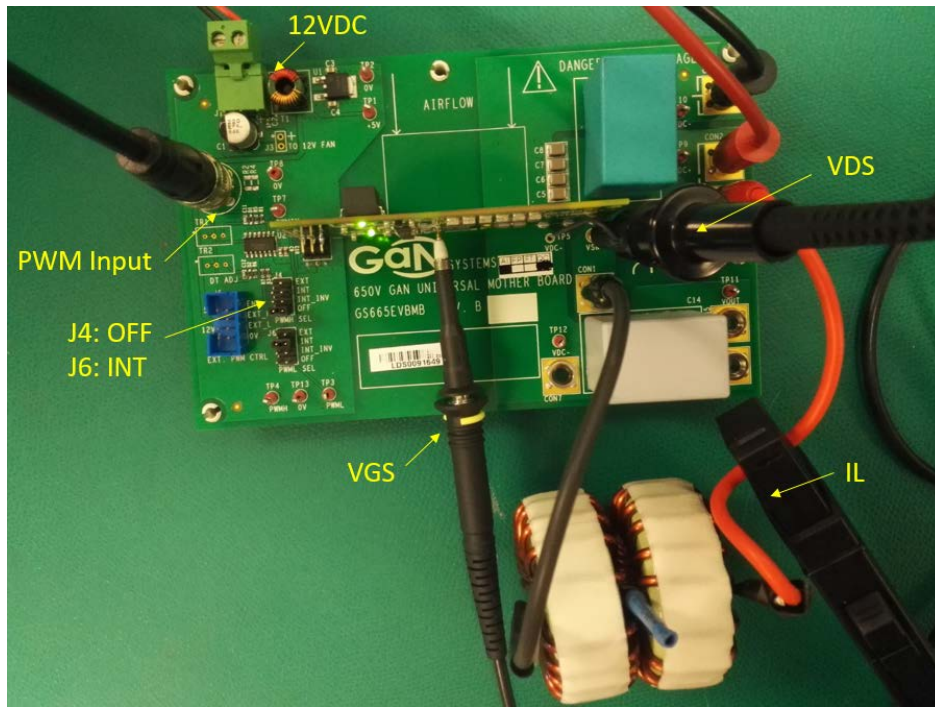


Figure 16 Double pulse test setup example

Test results

Double Pulse test (VDS=400V, I_{MAX} = 30A, L=120uH, R_{G(ON)}=10Ω, R_{G(OFF)}=2Ω, VGS=+6/-4V)

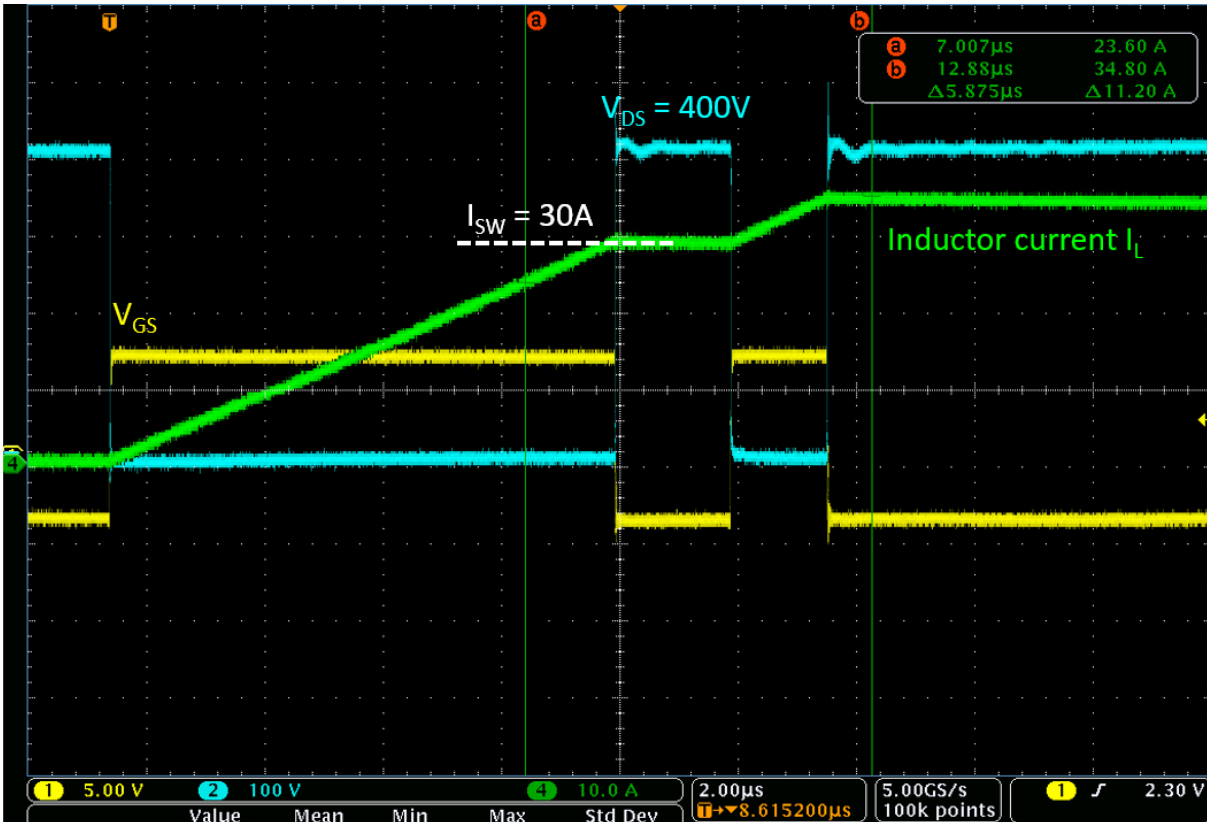
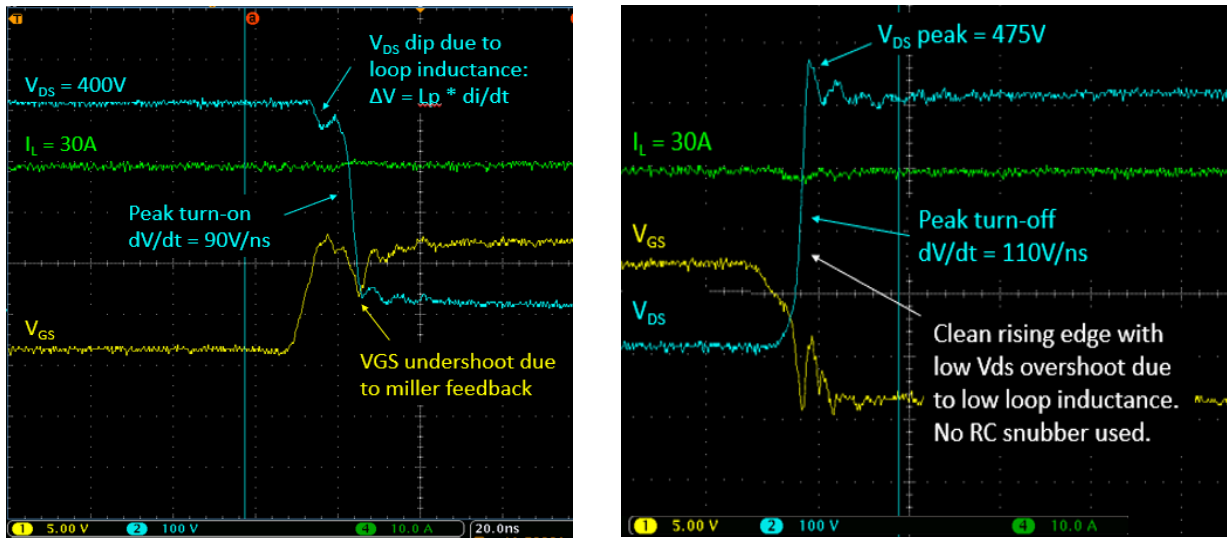


Figure 17 400V/30A double pulse test waveform (GS66508T)

Figure 17 shows the hard switching on waveforms at 400V/30A. A V_{ds} dip can be seen due to the rising drain current (dI/dt in the power loop $\Delta V=L_p \times dI/dt$, where L_p is the total power loop inductance). After the drain current reaches the inductor current, the V_{ds} starts to fall. The V_{gs} undershoot spike is caused by the miller feedback via C_{gd} under negative dv/dt.

Due to the low gate charge and small R_{G(OFF)}, GaN E-HEMT gate has limited control on the turn-off dV/dt. Instead the V_{ds} rise time is determined by how fast the turn-off current charges switching node capacitance (C_{oss}).

The low C_{oss} of GaN E-HEMT and low parasitic inductance of GaNPX® package together with optimized PCB layout, enables a fast and clean turn-off V_{ds} waveform with only 50V the turn-off V_{ds} overshoot at dV/dt > 100V/ns. The measured rise time is 3.9ns at 400V and 30A hard turn-off.



a) Hard switching turn-on 400V/30A

b) Hard switching turn-off 400V/30A

Figure 18 Double pulse test switching transient waveforms (GS66508T)

Switching Loss energy (Eon/Eoff) measurement

A T&M search coaxial current shunt (SDN-414-10, 0.1Ω) is installed for switching loss measurement as shown below.

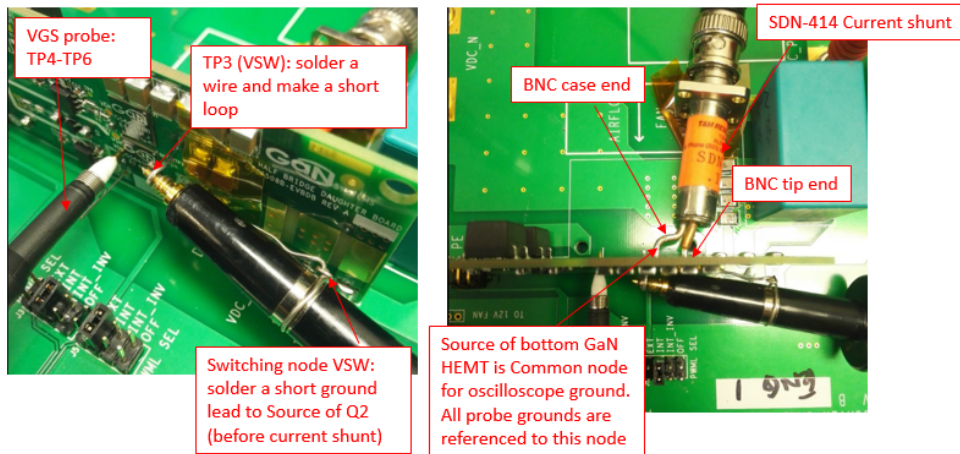


Figure 19 Eon/Eoff measurement probe connection with current shunt

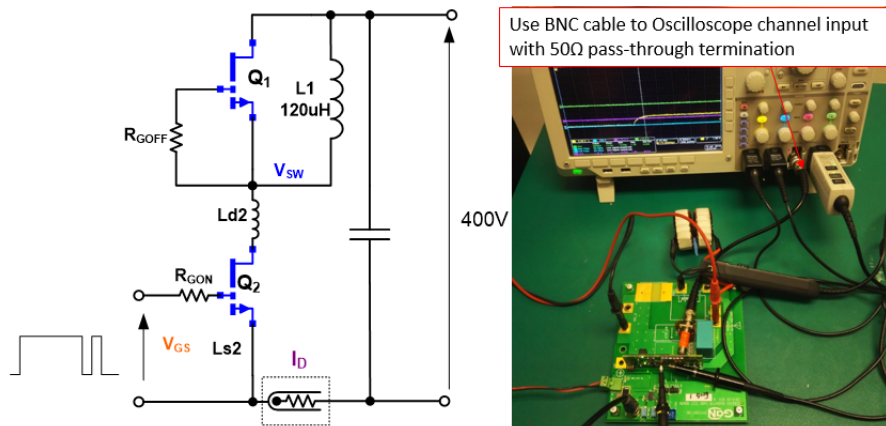


Figure 20 Eon/Eoff measurement and test bench setup

The switching energy can be calculated from the measured switching waveform $P_{sw} = V_{ds} \cdot I_d$. The integral of the P_{sw} during switching period is the measured switching loss. The channel deskewing is critical for measurement accuracy. It is recommended to manually deskew I_d against V_{ds} as shown in Figure 21. The drain current spike is caused by charging the high side switch C_{oss} (Q_{oss} loss).

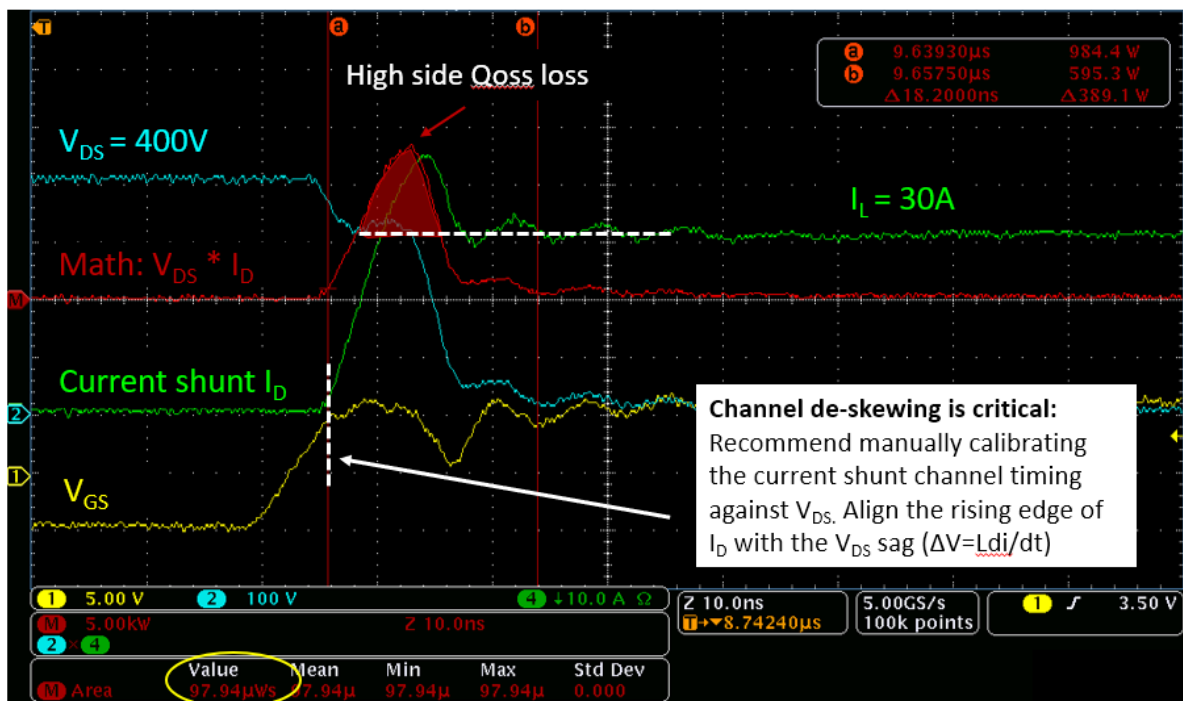


Figure 21 Turn-on switching loss measurement ($E_{on}=98\mu J$, 400V/30A, $T_J=25^\circ C$)

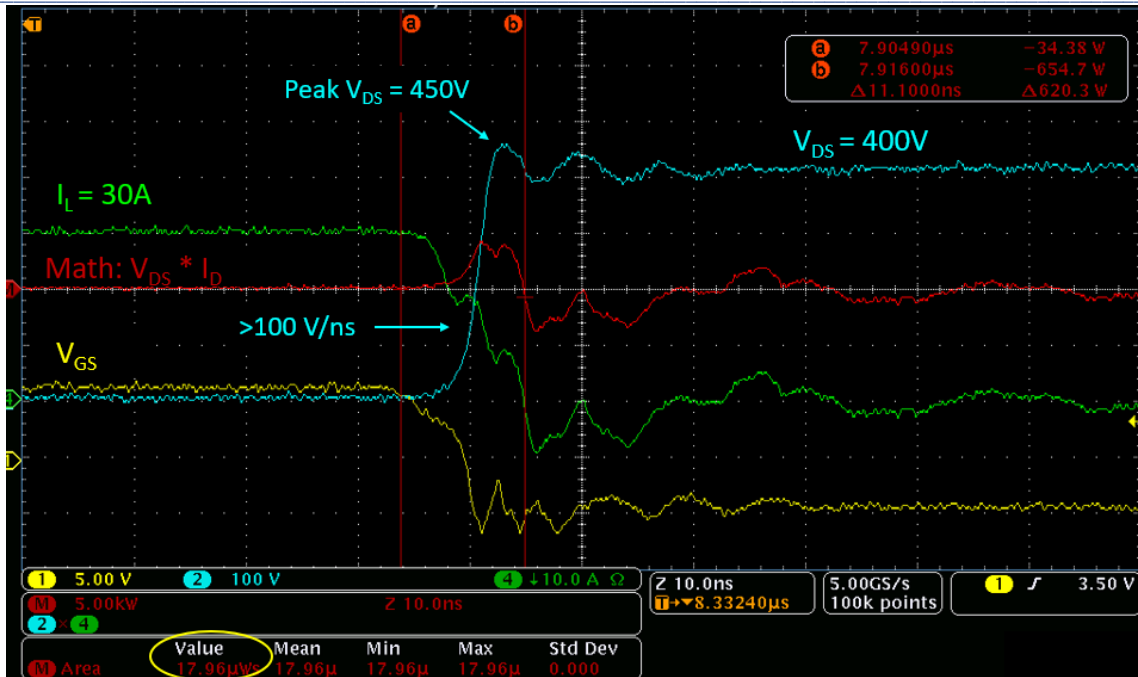


Figure 22 Turn-off switching loss measurement ($E_{off}=18\mu J$, 400V/30A, $T_j=25^\circ C$)

The switching loss measurements with drain current from 0 to 30A for GS66508T or up to 60A for GS66516T can be found in Figure 23. The turn-on loss dominates the overall hard switching loss. E_{on} at 0A is the Q_{oss} loss caused by the C_{oss} at high side switch.

GS66508T Switching Loss Measurement

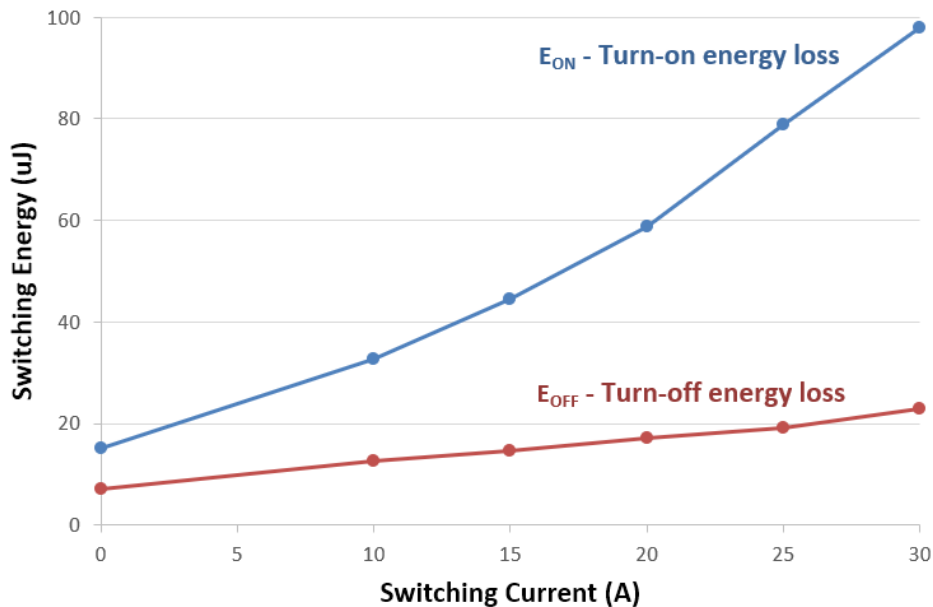


Figure 23 GS66508T Switching Loss Measurement ($V_{DS} = 400V$, $T_j=25^\circ C$)

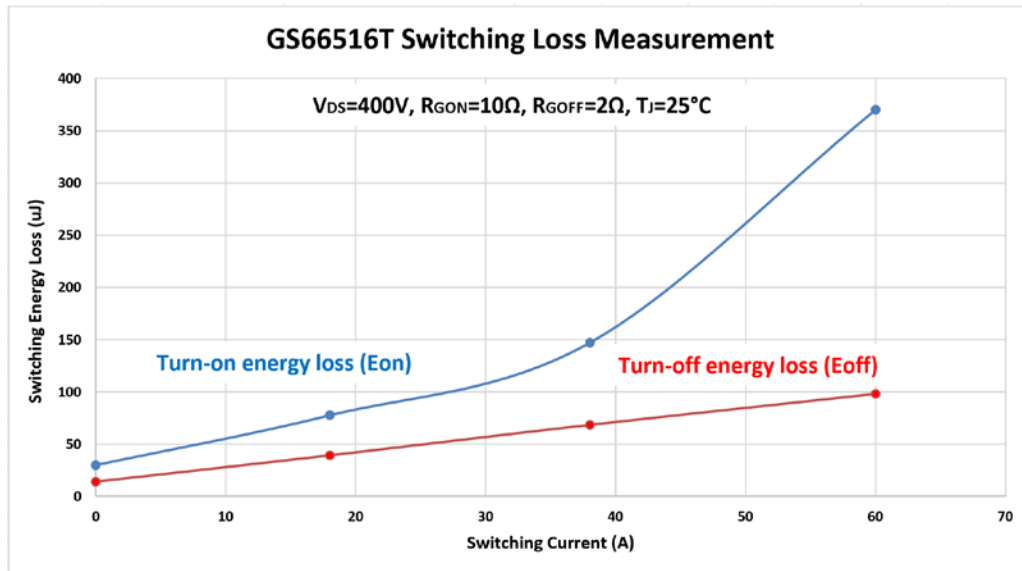


Figure 24 GS66516T Switching Loss Measurement ($V_{DS} = 400V, T_J=25^\circ C$)

Synchronous Buck Test ($L=120\mu H, V_{IN}=400V, V_{OUT}=200V, D=50\%, F_{SW}=100\text{ kHz}, P_{OUT}=0-2.4kW$)

To test the efficiency of GaN transistor in hard switching operation, the board is connected as DC-DC converter in synchronous buck configuration. The converter is operated at high frequency 100 kHz. A very high conversion efficiency of more than 98.4% is achieved using 650V E-HEMT GS66508T (30A/50mΩ) and GS66516T (60A/25mΩ) transistor and gate drive optocoupler, ACPL-P346 at 100 kHz.

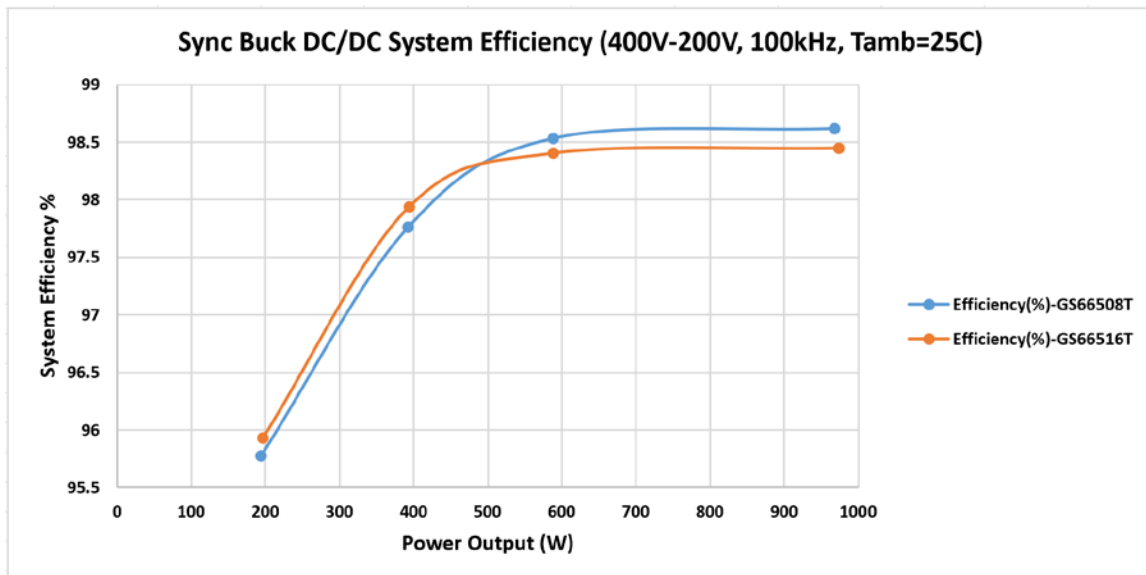


Figure 25 Synchronous Buck Efficiency and thermal measurement

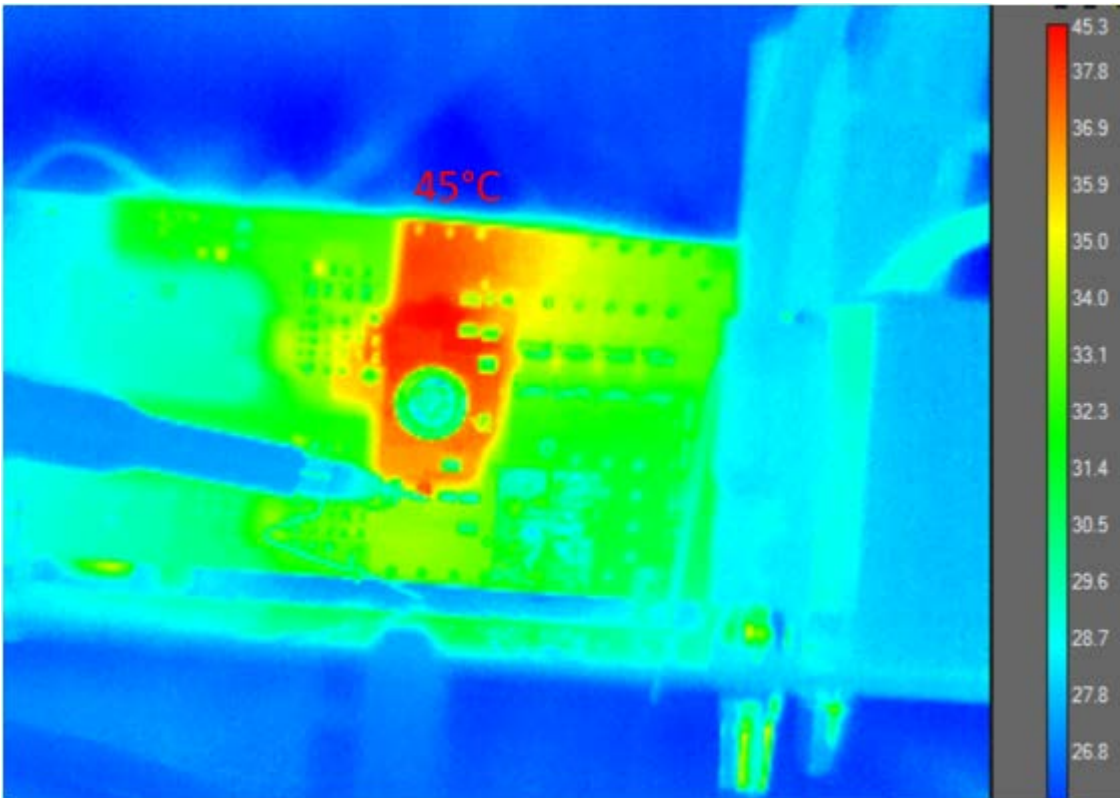
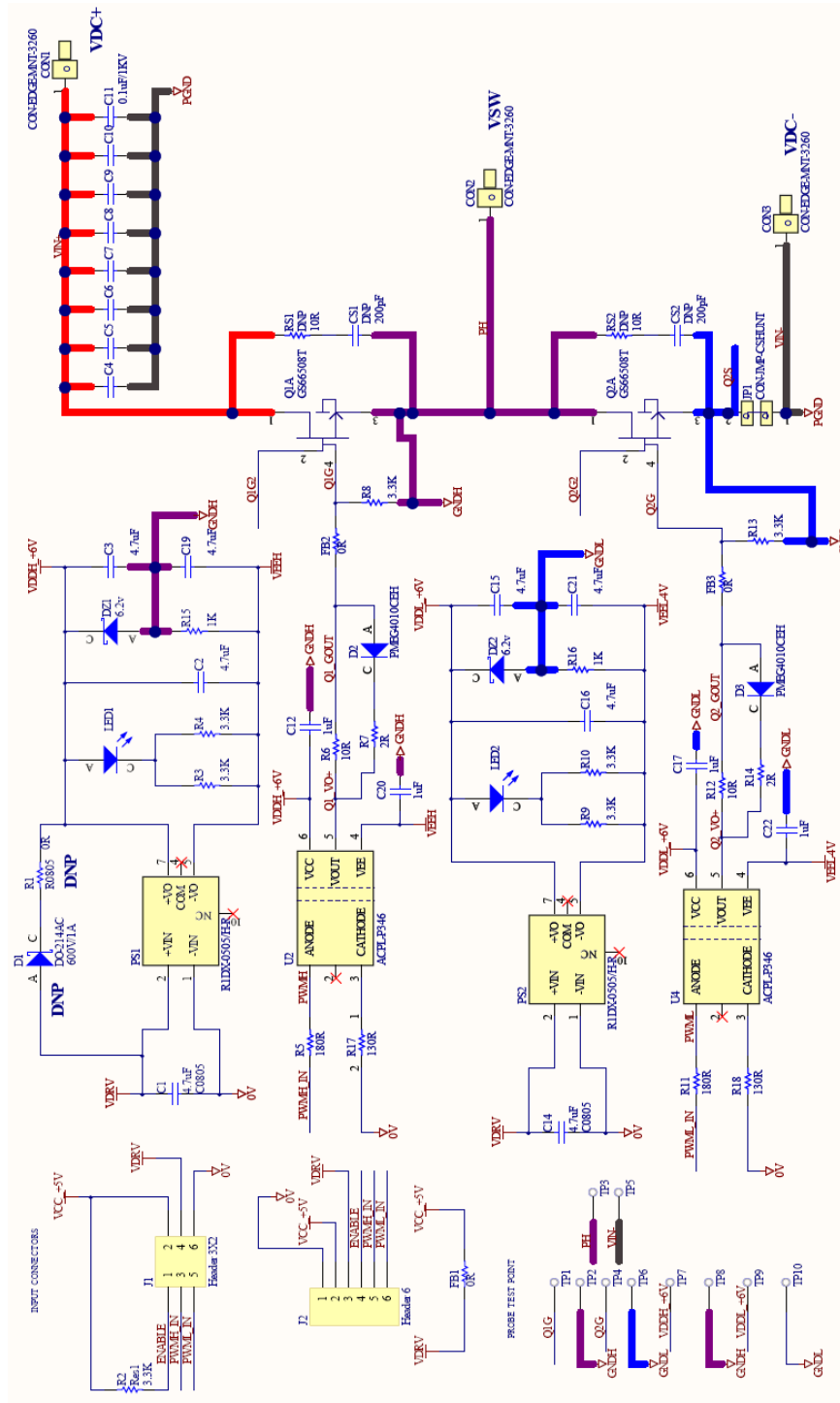


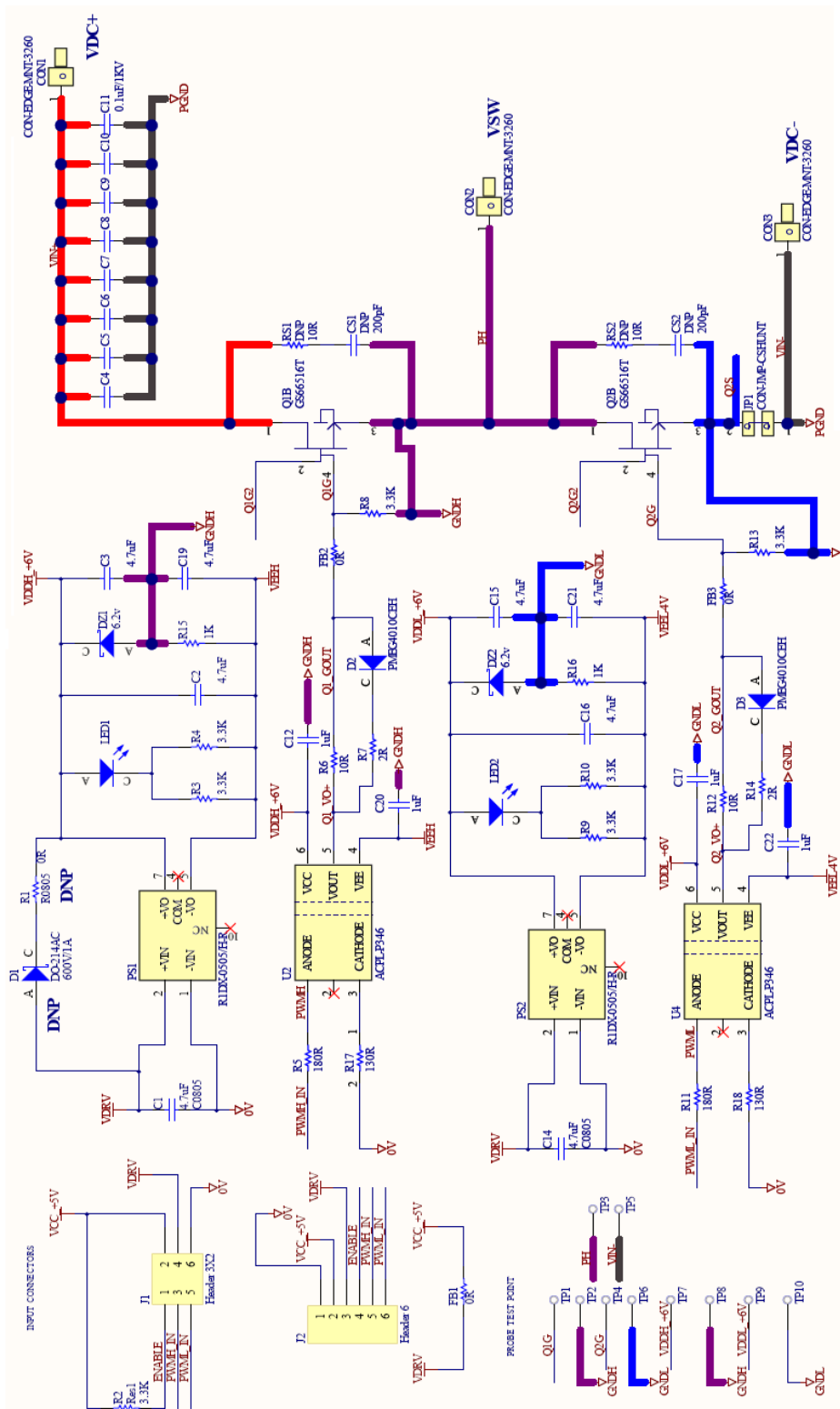
Figure 26 Thermal image (GS66508T, Pout=1kW)

Appendix A: GS66508T/GS66516T-EVBDB2 with Isolated Gate Driver

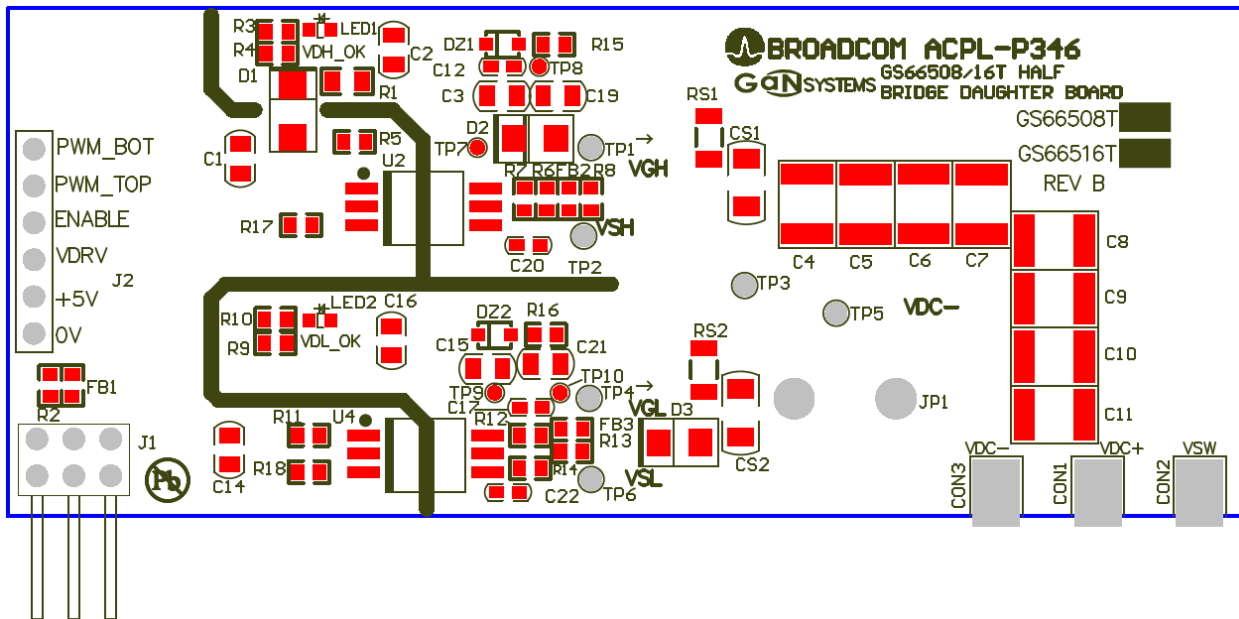
Circuit schematics-GS66508T-EVBDB2



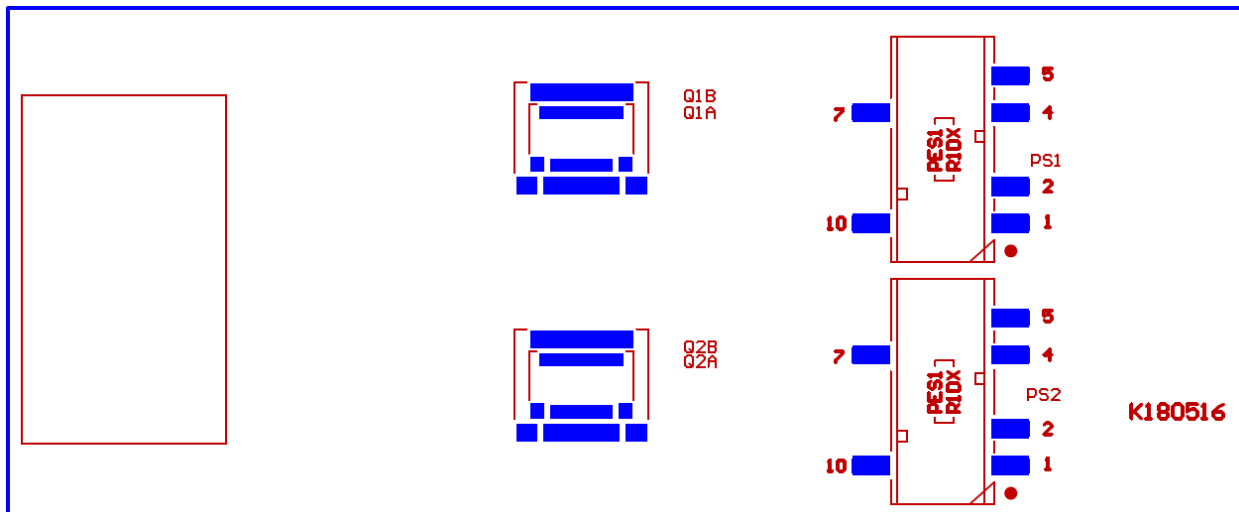
Circuit schematics-GS66516T-EVBDB2



Assembly Drawing (Top)

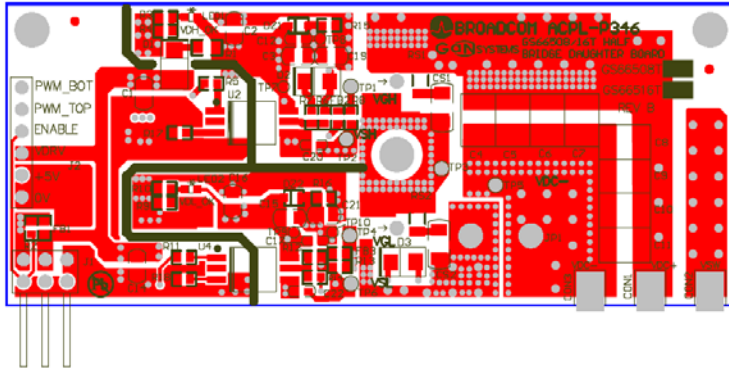


Assembly Drawing (Bottom)

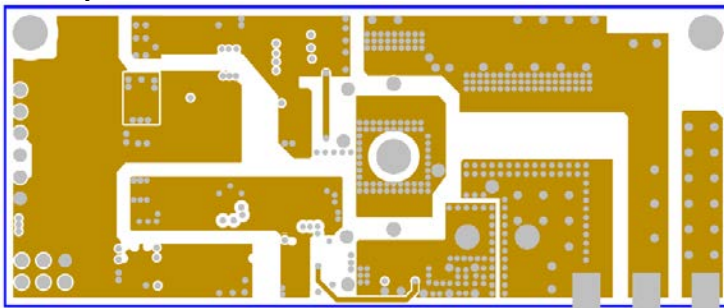


PCB layout

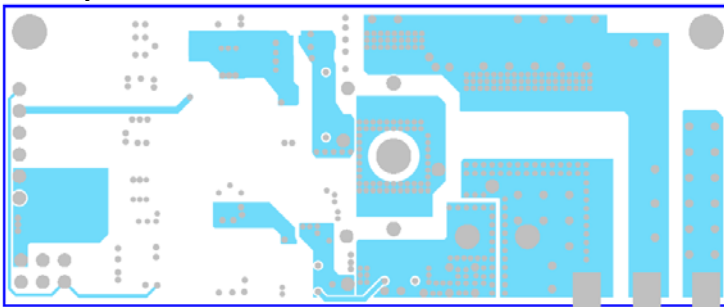
Top Layer



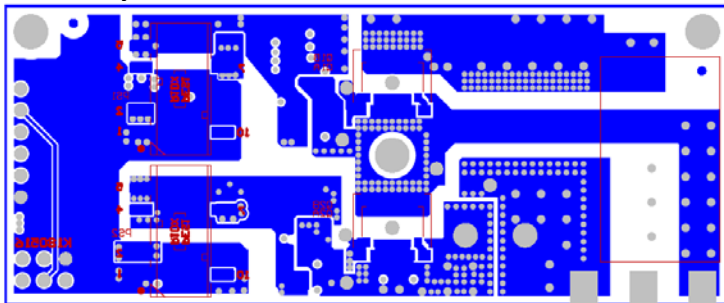
Mid Layer 1



Mid Layer 2



Bottom Layer

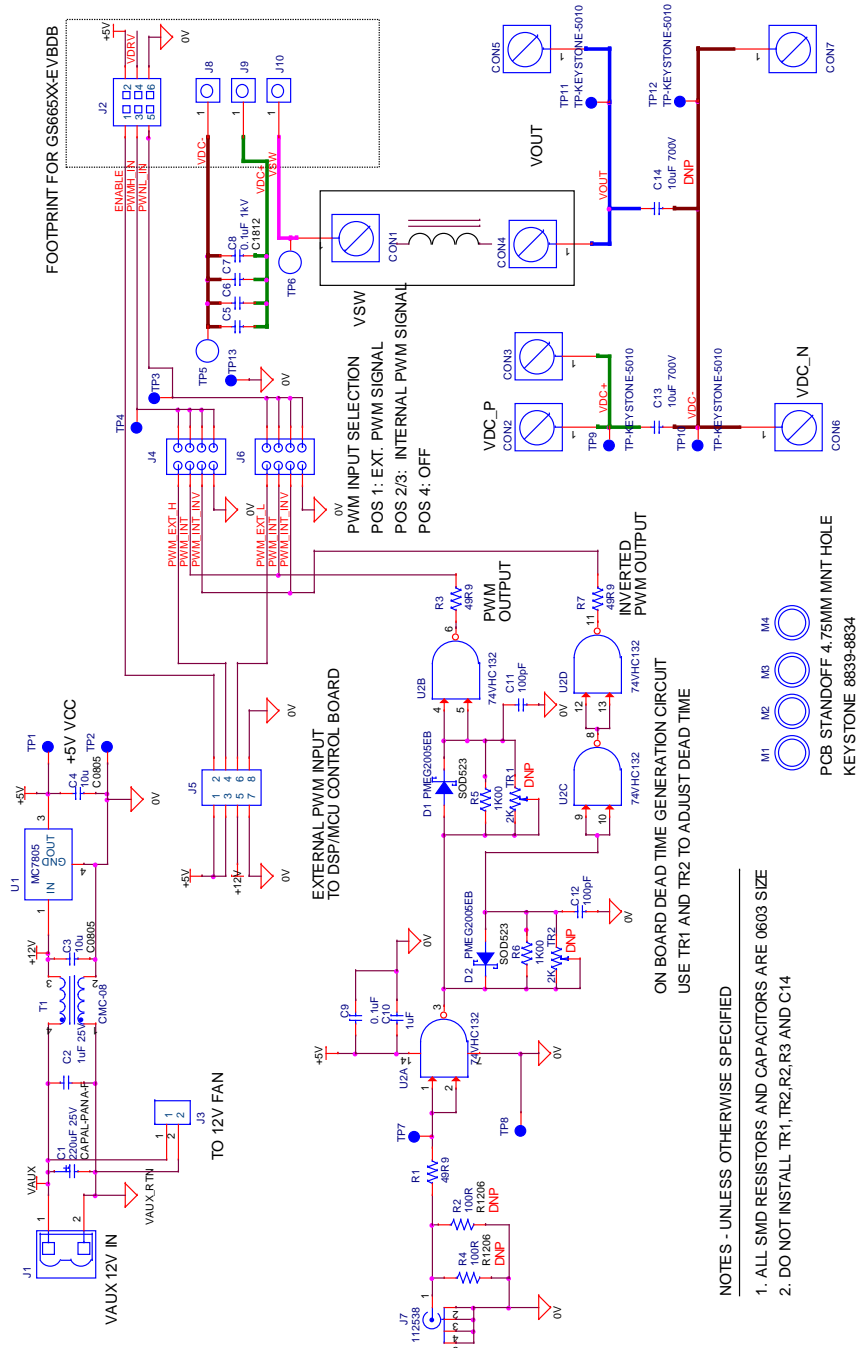


Bill of Materials

S.NO	Designator	Value	Description	Manufacturer	Part number	Qty	Remarks
1	PCB		PCB bare 4-layer 2oz Cu.			1	
2	CON1,CON2,CON3	CON-EDGE-MNT-3260	CONN PC PIN EDGE MNT	Mill-Max	3620-2-32-15-00-00-08-0	3	
3	CS1, CS2		CAP, CER, 200pF, 630V, 1206	KEMET	C1206C201FBGACTU	0	No Mount
4	C1,C2,C3,C14,C15,C16,C19,C21	4.7uF	CAP, CER, 4.7UF, 25V, +/-10%, X7R, 0805	TDK	C2012X5R1E475K125AB / MC0805X475K250CT	8	
5	C4,C5,C6,C7,C8,C9,C10,C11	0.1uF 1kV	CAP, CER, 0.1UF,1KV, +/-10%, X7R, 1812	KEMET	C1812C104KDRACTU / C1812V104KDRACTU	8	
6	C12,C17,C20,C22	1uF	CAP, CER, 1UF, 25V, +/-10%, X7R, 0603	KEMET	C0603C105K3RACTU / TMK107B7105KA-T	4	
7	DZ1,DZ2	6.2V zener	DIODE ZENER 6.2V 200MW SOD323	Vishay	BZX384C6V2-E3-08 / BZX384-C6V2	2	
8	D1	600V 1A	DIODE ULTRAFast 600V 1A SMA	Fairchild	ES1J	0	No Mount
9	FB1,FB2,FB3	OR	RES, OR JUMPER, 1%, 0603	Yageo	RC0603FR-070RL / MC0603SAF000T5E	3	
10	JP1	CON-JMP-CSHUNT	CURRENT SHUNT JUMPER			0	No Mount
11	J1	CON-HDR-2X3	CONN 3PIN DUAL ROW, 0.1" PITCH, R/A	SAMTEC	TSW-103-08-G-D-RA	1	
12	J2	CON-6POS				0	No Mount
13	LED1, LED2	LED-SMD-0603	LED, GREEN, SMD 0603	LITEON	LTST-C191KGKT	2	
14	PS1, PS2	R1DX-0505/H-R	ISO. DC/DC 5-10W, 1W	RECOM		2	
15	Q1A, Q2A	GS66508T	GaN E-HEMT 650V/30A TOP COOL	GaN Systems	GS66508T	2	
16	Q1B, Q2B	GS66516T	GaN E-HEMT 650V/60A TOP COOL	GaN Systems	GS66516T	2	
17	RS1, RS2	10R	RES, 10R, 1%, 1206	generic		0	No Mount
18	R1	OR	RES, OR, 1%, 0805	generic	generic	0	No Mount
19	R2,R3,R4,R8,R9,R10,R13	3K3	RES, 3.3K, 1%,1/10W, 0603	Multicomp	MCWR06X3301FTL	7	
20	R6,R12	10R	RES, 10R, 1%,1/10W, 0603	Bourns	CRO603-FX-10R0ELF	2	
21	R5,R11	180R	RES, 180R, 1%,1/10W, 0603	Walsin	WR06X1800FTL	2	
22	R7,R14	2R	RES, 2R, 1%,1/10W, 0603	Walsin	WR06W2R00FTL	2	
23	R15,R16	1K0	RES, 1K, 1%,1/10W, 0603	Yageo	RC0603FR-101KL	2	
24	R17,R18	130R	RES, 130R, 1%,1/10W, 0603	Yageo	RC0603FR-07130RL	2	
25	TP1,TP2,TP3,TP4,TP5,TP6	CON-TP-1POS	Probe test point			0	No Mount
26	TP7,TP8,TP9,TP10	CON-TP-1POS	Probe test point			0	No Mount
27	U2,U4	ACPL-P346	Optocoupler	Broadcom	ACPL-P346-000E	2	
28	D2, D3	PMEG4010CEH	DIODE PMEG4010CEH SBD SOD123F	NXP	PMEG4010CEH / PMEG4010EH	2	
29			heatsink, 35x35mmx25.4mm, customized	Shenzhen Mingzhi	PY16-Q20-1	1	
30		81.58.336	M3 screw w/ insulated sleeve(Machine Screw, Spring Washer, M3, 8 mm, Steel, Zinc, Pan Head Pozidriv)	ETTINGER	81.58.336	1	
31		WS0330A	Washer shoulder M3 NYLON	Essentra	WS0330A	1	
32			Electrically insulated Thermal pad	Bergquist	SILPAD 1500ST	1	
						63	

Appendix B - GS665MB-EVB – 650V Universal Motheboard

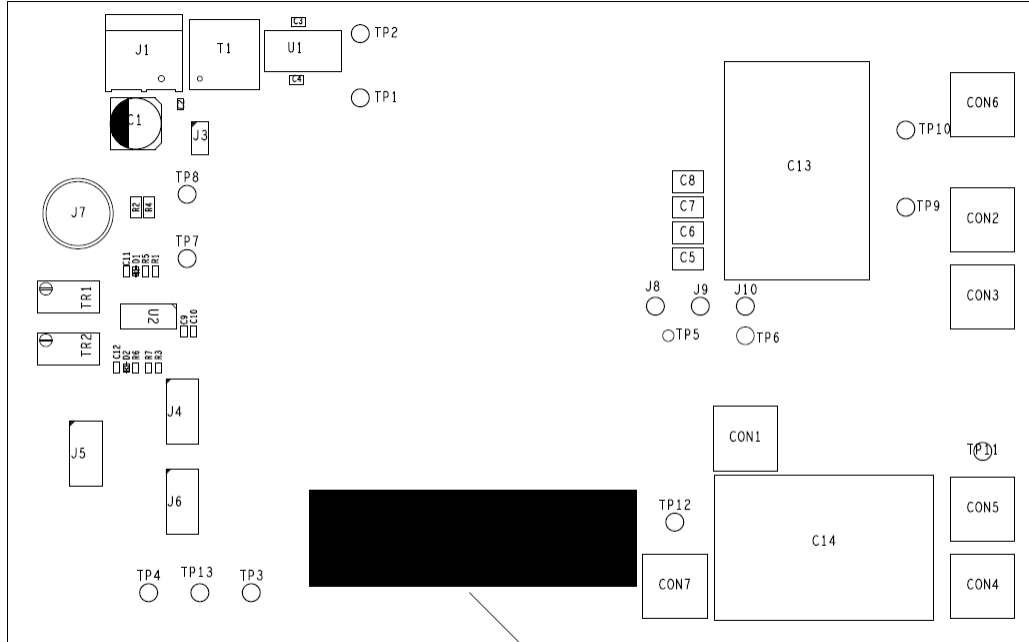
Circuit schematics



Assembly drawing

Assembly Top

TOP COMPONENT SIDE



SUGGESTED LOCATION FOR S/N LABEL

Assembly Bottom



Bill of Materials

Quantity	Reference	Description	Value	Manufacturer	Part number	Assembly Note
		GAN SYSTEMS 650V GAN UNIVERSAL MOTHER BOARD BOARD P/N: GS665EVBMB Revision: B1 Last Update: 6/30/2016				
1	PCB	PCB bare 2-layer 2oz Cu.				
7	CON1,CON2,CON3,CON4,C ON5,CON6,CON7	TERMINAL SCREW VERTICAL PC MNT	CON-10-32-SCRWMNT	KEYSTONE	8191	DO NOT INSTALL
3	1 C1	CAP ALUM 220UF 20% 25V SMD	220UF 25V	Panasonic	EEE-FK1E221P	
3	1 C2,C10	GENERIC 1UF/25V, 10% X7R SMD 0603	1uF	TAIYO YUDEN	TMK107B7105KA-T	
4	2 C3,C4	GENERIC 10UF/25V, 10% SMD 0805	10uF	TAIYO YUDEN	TMK212BBJ106KG-T	
5	4 C5,C6,C7,C8	GENERIC 0.1uF/1000V, SMD 1812	0.1uF 1kV	KEMET	C1812C104KDRAC7800	
6	1 C9	GENERIC 0.1uF/25V, 10% X7R SMD 0603	0.1uF	TAIYO YUDEN	TMJ107BB7104KAHT	
7	2 C11,C12	GENERIC 100PF/25V 5% NP0 SMD 0603	100pF	KEMET	C0603C101J3GACTU	
8	1 C13,C14	CAP FILM 10UF/600VDC 5%, 27.5MM LEAD SPACING	10uF 700V	KEMET	C4AEHBU5100A11J	DO NOT INSTALL C14
9	2 D1,D2	DIODE SCHOTTKY 20V 500MA SOD523	PMEG2005EB	NXP	PMEG2005EB.115	
10	1 J1	TERM BLOCK HDR 2POS R/A 5.08MM	CON-TERM-BLK-2POS-RA	TE CONNECTIVITY	796638-2	
11	1 J1-PLUG	TERM BLOCK BLUG 2POS 5.08MM	TE CONNECTIVITY	TE CONNECTIVITY	796634-2	
12	1 J2	CONN RCPT 6POS, 100 DBL STR PCB	CON-RCPT-2X3-BOT	HARWIN	M20-7850342	MOUNT FROM BOTTOM SIDE CONNECTOR FOR 12V FAN, DO NOT INSTALL
13	1 J3	CONN HEADER 8POS DUAL VERT PCB	CON-2POS	HARWIN	M20-9980445	
14	2 J4,J6	CONN 8-POS, DUAL ROW 2.54MM	CON-HDR-4X2	AMPHENOL	75869-132LF	
15	1 J5	CONN BNC JACK STR 50 OHM PCB	112538	AMPHENOL	112538	
16	1 J7	CONN RECEPT PIN .032-.046" .075"	CON-RCPT-EDGE MNT	MILLMAX	0312-0-15-15-34-27-10-0	MATING SOCKET FOR MILLMAX EDGE MNT P/N
17	3 J8,J9,J10	generic 1% smd 0603	49R9	VISHAY DALE	CRFV060349R9FKEA	
18	3 R1,R3,R7	generic 1% smd 1206	100R	VISHAY DALE	CRFV06031K00FKEA	DO NOT INSTALL
19	2 R2,R4	generic 1% smd 0603	1K00	VISHAY DALE	CRFV06031K00FKEA	
20	2 R5,R6	TEST POINT PCB	TP-KEYSTONE-5010	KEYSTONE	5010	DO NOT INSTALL
21	11 TP9,TP10,TP11,TP12,TP13	COMM MODE CHOKE 5.2A TH	CMC-08	RECOM	CMC-08	DO NOT INSTALL
22	2 TR1,TR2	IC REG LDO 5V 1A DP4K	MC7805	ON SEMI	MC7805BDTRKG	
23	1 T1	1 IC GATE NAND 4CH 2-IMP 14-SOIC	74VHC132	FAIRCHILD	74VHC132MX	
24	1 U1	PCB STANDOFF NYLON STACKABLE 4.75MM	MECH-STDOFF-KEYSTONE-8	KEYSTONE	8833	PCB SPACER, INSTALL FROM BOTTOM SIDE
25	1 U2	FAN AXIAL 38X20MM 12VDC WIRE	SUNON FANS	SUNON FANS	PMD1238PKB1-A.(2)IGN	SUPPLY LOOSE, DO NOT INSTALL ON THE ASSEMBLY
26	6 M1,M2,M3,M4,M5,M6	JUMPER SHUNT GENERIC		TE CONNECTIVITY	382811-8	INSTALL ON J4 "INT" POSITION AND J6 "INT_INV" POSITION
27	1 FAN					
28	2 JUMPER					

Evaluation Board/kit Important Notice

GaN Systems Inc. (GaN Systems) provides the enclosed product(s) under the following **AS IS** conditions:

This evaluation board/kit being sold or provided by GaN Systems is intended for use for **ENGINEERING DEVELOPMENT, DEMONSTRATION, and OR EVALUATION PURPOSES ONLY** and is not considered by GaN Systems to be a finished end-product fit for general consumer use. As such, the goods being sold or provided are not intended to be complete in terms of required design-, marketing-, and/or manufacturing-related protective considerations, including but not limited to product safety and environmental measures typically found in end products that incorporate such semiconductor components or circuit boards. This evaluation board/kit does not fall within the scope of the European Union directives regarding electromagnetic compatibility, restricted substances (RoHS), recycling (WEEE), FCC, CE or UL, and therefore may not meet the technical requirements of these directives, or other related regulations.

If this evaluation board/kit does not meet the specifications indicated in the User's Guide, the board/kit may be returned within 30 days from the date of delivery for a full refund. **THE FOREGOING WARRANTY IS THE EXCLUSIVE WARRANTY MADE BY THE SELLER TO BUYER AND IS IN LIEU OF ALL OTHER WARRANTIES, EXPRESSED, IMPLIED, OR STATUTORY, INCLUDING ANY WARRANTY OF MERCHANTABILITY OR FITNESS FOR ANY PARTICULAR PURPOSE. EXCEPT TO THE EXTENT OF THIS INDEMNITY, NEITHER PARTY SHALL BE LIABLE TO THE OTHER FOR ANY INDIRECT, SPECIAL, INCIDENTAL, OR CONSEQUENTIAL DAMAGES.**

The user assumes all responsibility and liability for proper and safe handling of the goods. Further, the user indemnifies GaN Systems from all claims arising from the handling or use of the goods. Due to the open construction of the product, it is the user's responsibility to take any and all appropriate precautions with regard to electrostatic discharge.

No License is granted under any patent right or other intellectual property right of GaN Systems whatsoever. **GaN Systems assumes no liability for applications assistance, customer product design, software performance, or infringement of patents or any other intellectual property rights of any kind.**

GaN Systems currently services a variety of customers for products around the world, and therefore this transaction **is not exclusive**.

Please read the User's Guide and, specifically, the Warnings and Restrictions notice in the User's Guide prior to handling the product. Persons handling the product(s) must have electronics training and observe good engineering practice standards.

This notice contains important safety information about temperatures and voltages. For further safety concerns, please contact a GaN Systems' application engineer.

Компания «Океан Электроники» предлагает заключение долгосрочных отношений при поставках импортных электронных компонентов на взаимовыгодных условиях!

Наши преимущества:

- Поставка оригинальных импортных электронных компонентов напрямую с производств Америки, Европы и Азии, а так же с крупнейших складов мира;
- Широкая линейка поставок активных и пассивных импортных электронных компонентов (более 30 млн. наименований);
- Поставка сложных, дефицитных, либо снятых с производства позиций;
- Оперативные сроки поставки под заказ (от 5 рабочих дней);
- Экспресс доставка в любую точку России;
- Помощь Конструкторского Отдела и консультации квалифицированных инженеров;
- Техническая поддержка проекта, помощь в подборе аналогов, поставка прототипов;
- Поставка электронных компонентов под контролем ВП;
- Система менеджмента качества сертифицирована по Международному стандарту ISO 9001;
- При необходимости вся продукция военного и аэрокосмического назначения проходит испытания и сертификацию в лаборатории (по согласованию с заказчиком);
- Поставка специализированных компонентов военного и аэрокосмического уровня качества (Xilinx, Altera, Analog Devices, Intersil, Interpoint, Microsemi, Actel, Aeroflex, Peregrine, VPT, Syfer, Eurofarad, Texas Instruments, MS Kennedy, Miteq, Cobham, E2V, MA-COM, Hittite, Mini-Circuits, General Dynamics и др.);

Компания «Океан Электроники» является официальным дистрибьютором и эксклюзивным представителем в России одного из крупнейших производителей разъемов военного и аэрокосмического назначения «JONHON», а так же официальным дистрибьютором и эксклюзивным представителем в России производителя высокотехнологичных и надежных решений для передачи СВЧ сигналов «FORSTAR».



JONHON

«JONHON» (основан в 1970 г.)

Разъемы специального, военного и аэрокосмического назначения:

(Применяются в военной, авиационной, аэрокосмической, морской, железнодорожной, горно- и нефтедобывающей отраслях промышленности)

«FORSTAR» (основан в 1998 г.)

ВЧ соединители, коаксиальные кабели, кабельные сборки и микроволновые компоненты:

(Применяются в телекоммуникациях гражданского и специального назначения, в средствах связи, РЛС, а так же военной, авиационной и аэрокосмической отраслях промышленности).



Телефон: 8 (812) 309-75-97 (многоканальный)

Факс: 8 (812) 320-03-32

Электронная почта: ocean@oceanchips.ru

Web: <http://oceanchips.ru/>

Адрес: 198099, г. Санкт-Петербург, ул. Калинина, д. 2, корп. 4, лит. А