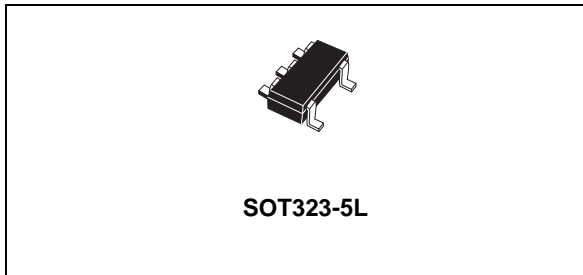


**50 mA, 3  $\mu$ A supply current low drop linear regulator**

Datasheet - production data



The PMOS pass element allows very good dropout values (200 mV at 25 mA  $I_O$  and 350 mV at full load) without affecting the consumption characteristics.

Housed in the very small SOT323-5L, it meets space-saving requirements in battery-powered equipment.

**Table 1. Device summary**

SOT323-5L (T&R)	Output voltage
STLQ50C18R	1.8 V
STLQ50C25R	2.5 V
STLQ50C33R	3.3 V
STLQ50C50R	5.0 V
STLQ50C-R	Adjustable

## Features

- 2.3 V to 12 V input voltage range
- 50 mA maximum output current
- 3  $\mu$ A quiescent current
- Available in 1.8 V, 2.5 V, 3.3 V, 5.0 V and adjustable voltage
- 200 mV dropout voltage at 25 mA output current
- Internal thermal protection
- Available in SOT323-5L package

## Applications

- Portable/battery-powered equipment
- Electronic sensors
- Microcontroller power
- Real-time clock backup power

## Description

The STLQ50 is a BiCMOS linear regulator specifically designed for operating in environments where very low power consumption is required.

Its very low quiescent current (3  $\mu$ A) results in extended battery life, making the device suitable for applications which have very long standby time.

# Contents

<b>1</b>	<b>Block diagram</b> .....	<b>3</b>
<b>2</b>	<b>Pin configuration</b> .....	<b>4</b>
<b>3</b>	<b>Maximum ratings</b> .....	<b>5</b>
<b>4</b>	<b>Electrical characteristics</b> .....	<b>6</b>
<b>5</b>	<b>Typical application</b> .....	<b>7</b>
<b>6</b>	<b>Typical characteristics</b> .....	<b>8</b>
<b>7</b>	<b>Application information</b> .....	<b>10</b>
	7.1 External components .....	10
	7.2 Power dissipation .....	10
	7.3 Protection .....	11
<b>8</b>	<b>Package mechanical data</b> .....	<b>12</b>
<b>9</b>	<b>Packaging mechanical data</b> .....	<b>15</b>
<b>10</b>	<b>Revision history</b> .....	<b>17</b>

# 1 Block diagram

Figure 1. Block diagram (fixed version)

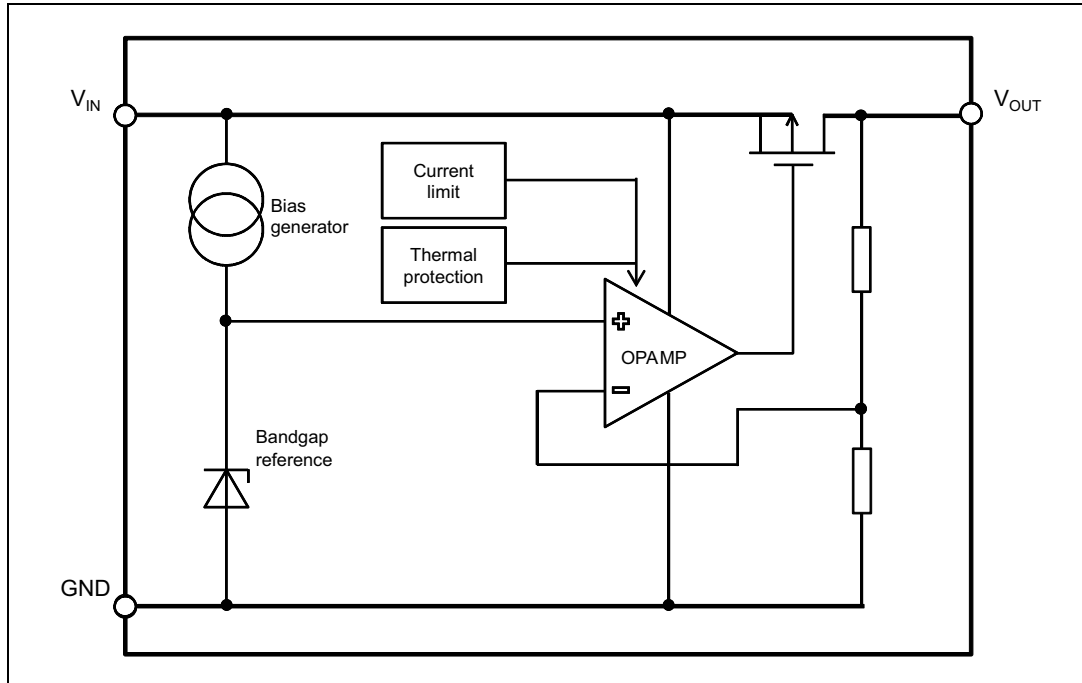
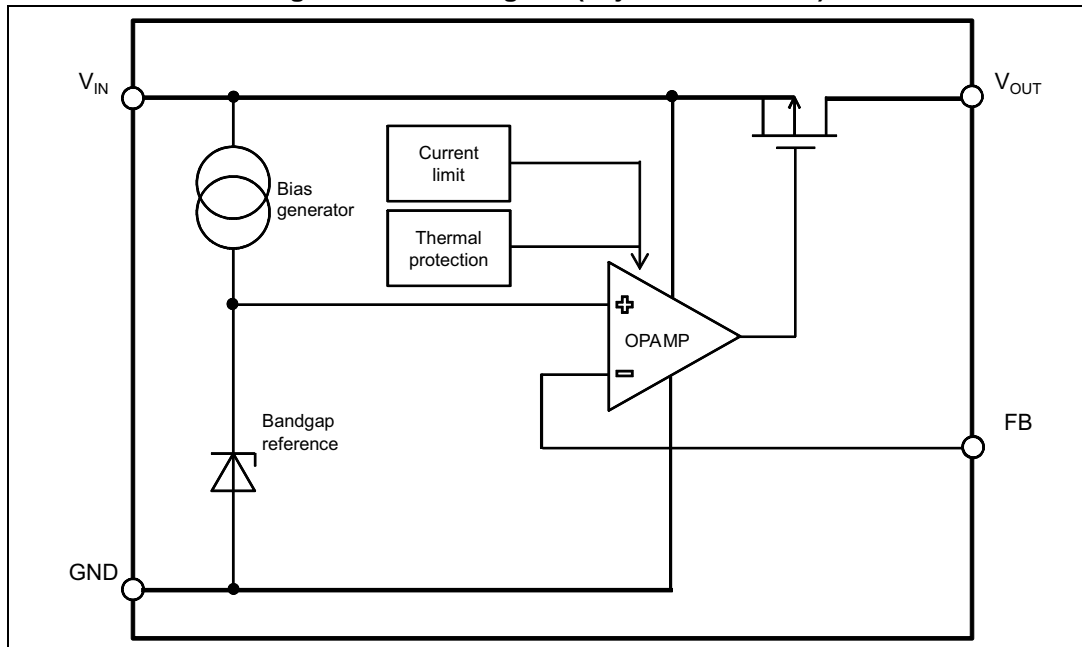


Figure 2. Block diagram (adjustable version)



## 2 Pin configuration

Figure 3. Pin connections (top view)

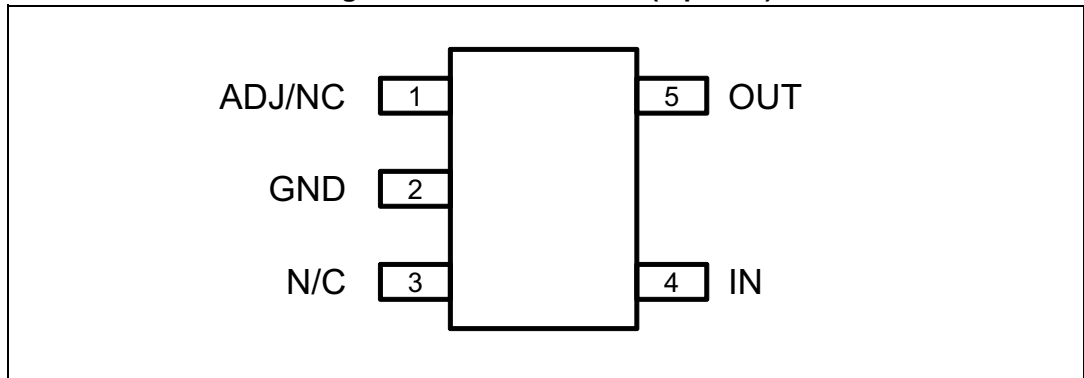


Table 2. Pin description

Pin n°	Symbol	Note
1	ADJ	ADJ pin on the Adjustable version
	N/C	Not connected on fixed version
2	GND	Ground
3	N/C	Not connected
4	IN	Input voltage
5	OUT	Output voltage

### 3 Maximum ratings

**Table 3. Absolute maximum ratings**

Symbol	Parameter	Value	Unit
$V_I$	DC Input voltage	-0.3 to +14	V
$V_{ADJ}$	ADJ pin voltage	-0.3 to +7	V
ESD	Human body model	±2	kV
$T_J$	Junction temperature	-40 to 150	°C
$T_{STG}$	Storage temperature range	-55 to 150	°C

*Note:* Absolute maximum ratings are those values beyond which damage to the device may occur. Functional operation under these conditions is not implied.

**Table 4. Thermal data**

Symbol	Parameter	SOT323-5L	Unit
$R_{thJA}$	Thermal resistance junction-ambient	331.4 <sup>(1)</sup>	°C/W

1. This value is referred to a 4-layer PCB, JEDEC standard test board.

## 4 Electrical characteristics

$V_I = V_{O(NOM)} + 1\text{ V}$  or  $V_I = 2.5\text{ V}$  if  $V_O < 1.5\text{ V}$ ;  $T_A = -40\text{ °C}$  to  $125\text{ °C}$ ;  $I_O = 1\text{ mA}$ ; typical values are at  $T_A = 25\text{ °C}$ ,  $C_O = 1\text{ }\mu\text{F}$  unless otherwise specified.

**Table 5. Electrical characteristics**

Symbol	Parameter	Test conditions	Min.	Typ.	Max.	Unit
$V_I$	Input voltage range	$I_O = 20\text{ mA}$	2.3		12	V
		$I_O = 50\text{ mA}$	2.5		12	
$I_Q$	Quiescent current (measured on ground pin, fixed version)	$V_I = 5\text{ V}$		3.5	5.0	$\mu\text{A}$
		$V_I = 12\text{ V}$		4.1	6.0	
$V_O$	Output voltage range (STLQ50ADJ)		1.222		11	V
	Accuracy as percentage of nominal voltage at $T_J = 25\text{ °C}$		-2		+2	%
$V_{DROD-MAX}$	Max dropout voltage <sup>(1)</sup>	$I_O = 50\text{ mA}$ ;		0.4	0.7	V
$\Delta V_O$	Load regulation	$1\text{ mA} < I_O < 50\text{ mA}$			0.15	%/mA
$\Delta V_O$	Line regulation	$V_O = 1.5\text{ V}$ ; $V_O + 1\text{ V} < V_I < 12\text{ V}$ ; $V_O < 1.5\text{ V}$ ; $2.5\text{ V} < V_I < 12\text{ V}$ ;			0.3	%/V
SVR	Supply voltage rejection	$V_{RIPPLE} = 0.1\text{ V}$ , $I_O = 20\text{ mA}$ , $f = 120\text{ Hz}$		30		dB
eN	Output noise voltage	$B_W$ from 200 Hz to 100 kHz; $I_O = 10\text{ mA}$		560		$\mu\text{V}_{RMS}$
$T_h$	Thermal protection			160		$^{\circ}\text{C}$
$I_{OMAX}$	Maximum output current <sup>(2)</sup>	$V_O = 0\text{ V}$		500		mA

1.  $V_I = 2.5\text{ V}$  when  $V_{O(NOM)} \leq 2.1\text{ V}$

2. The maximum power dissipation must not be exceeded, see application information for details.

# 5 Typical application

Figure 4. Fixed versions

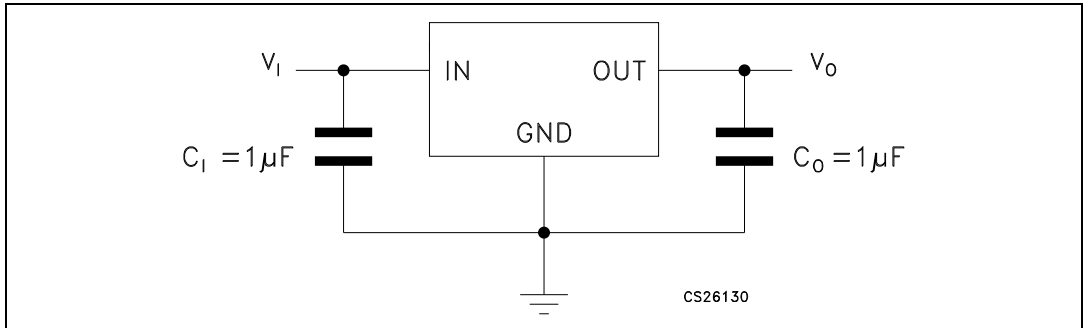
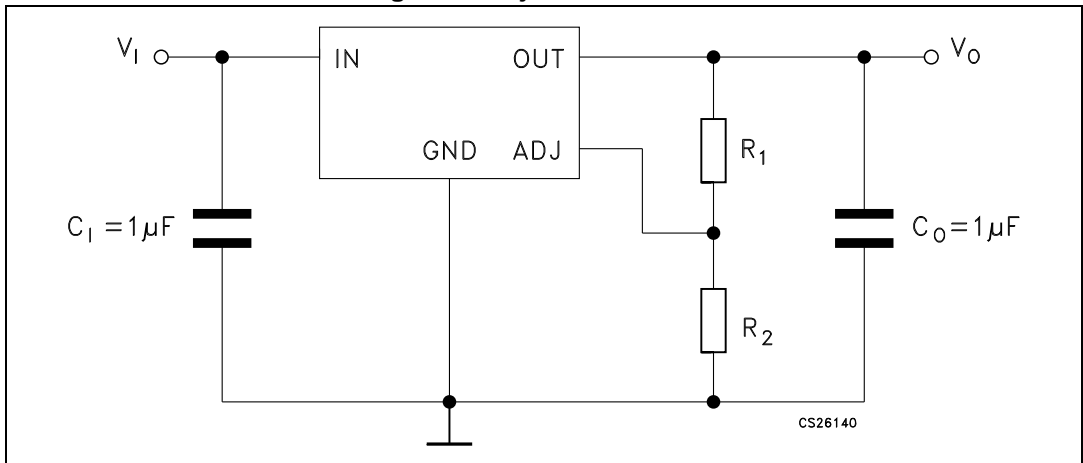


Figure 5. Adjustable version



## 6 Typical characteristics

Figure 6.  $V_O$  vs.  $T_J$

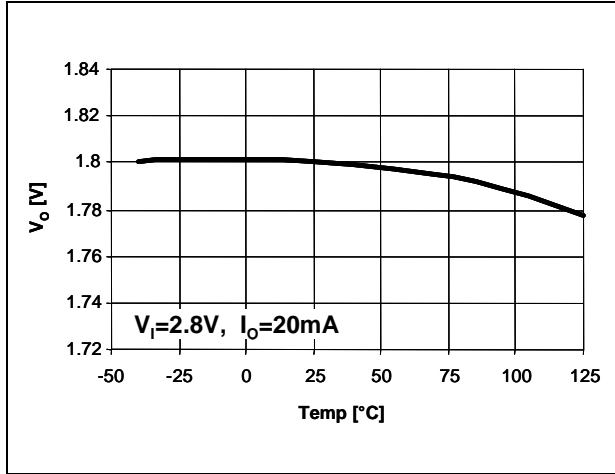


Figure 7.  $V_O$  vs.  $V_I$

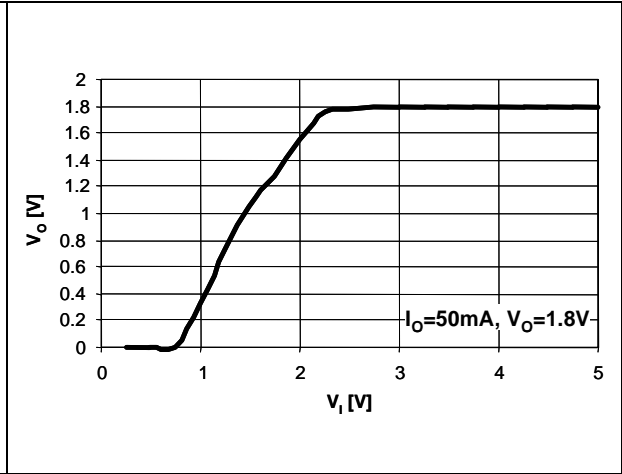


Figure 8.  $I_Q$  vs.  $T_J$

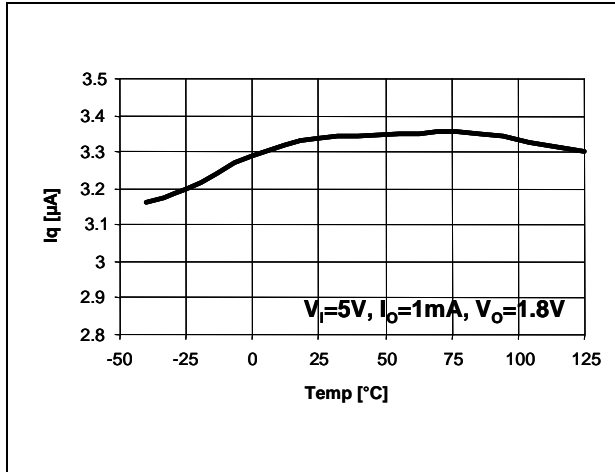


Figure 9.  $V_{DROP}$  vs.  $I_O$

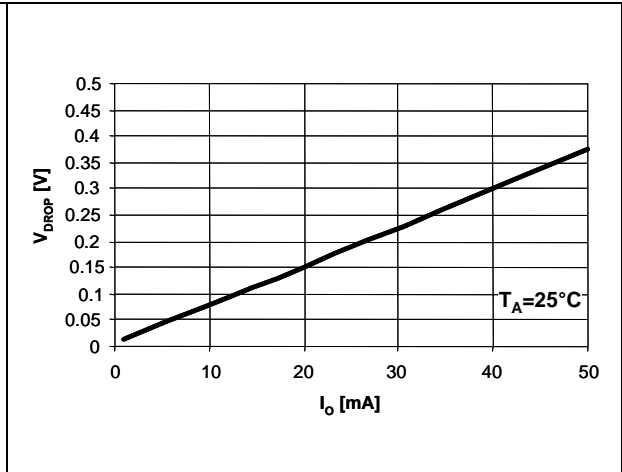


Figure 10.  $V_{DROP}$  vs.  $T_J$

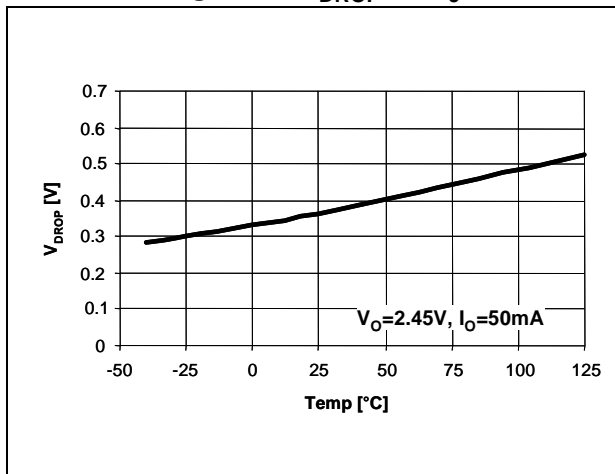


Figure 11. Stability

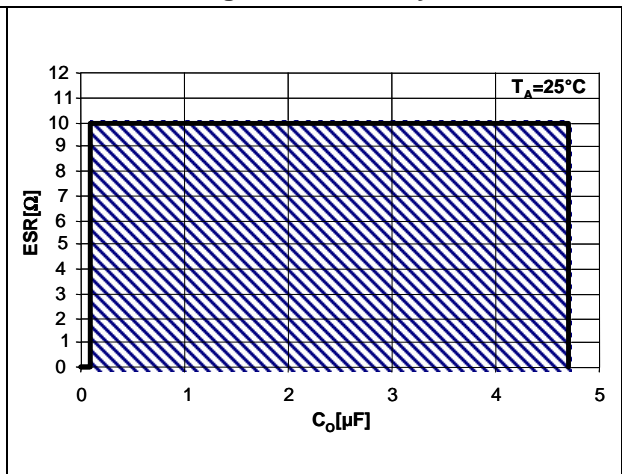




Figure 12. S.V.R. vs. Freq.

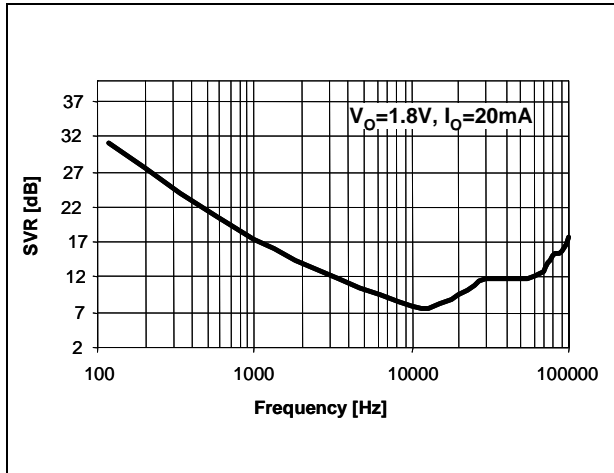


Figure 13. S.V.R. vs. I<sub>O</sub>

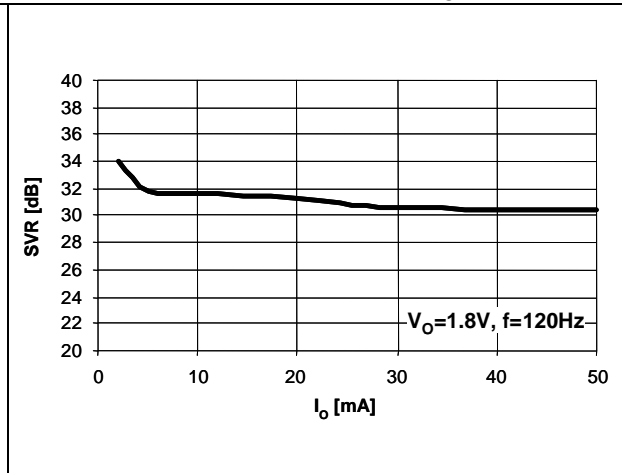


Figure 14. Line transient response

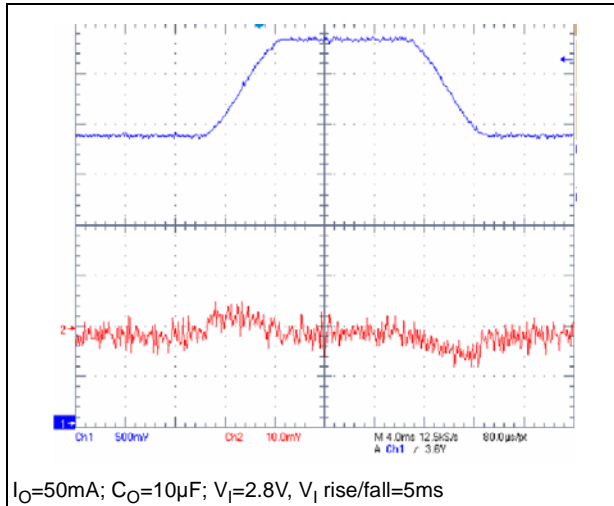


Figure 15. Load transient response

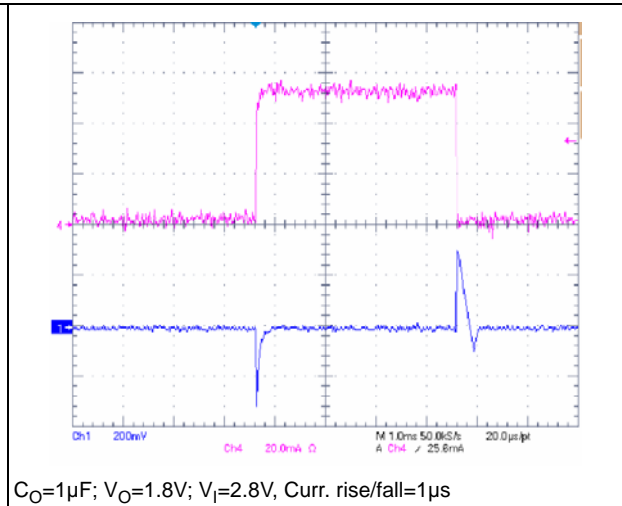


Figure 16. Short-circuit current

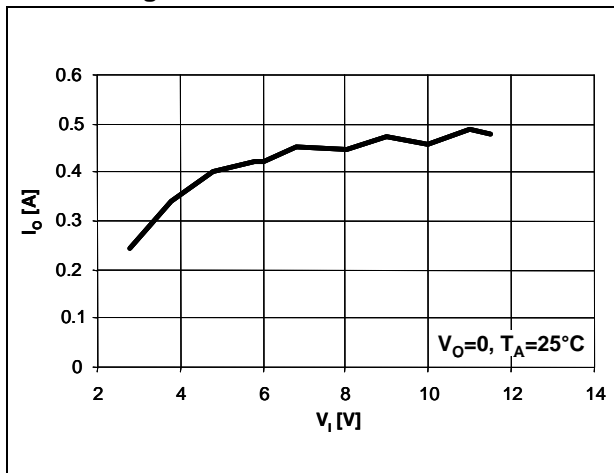
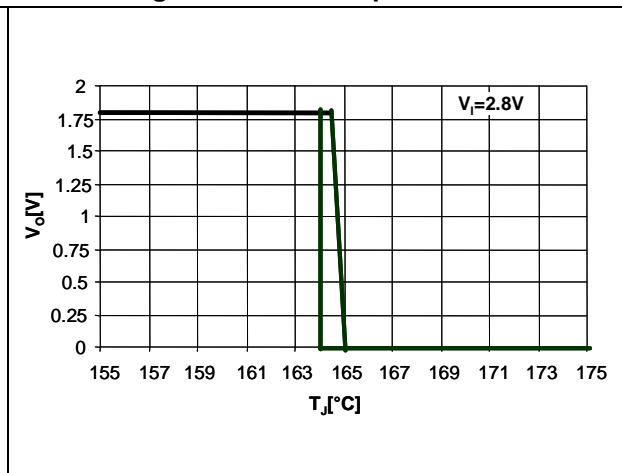


Figure 17. Thermal protection



## 7 Application information

The STLQ50 is a BiCMOS linear regulator specifically designed for operating in environments with very low power consumption requirements. The very low quiescent current of 3  $\mu\text{A}$  is obtained through the use of CMOS technology which makes the device suitable for application that have long standby time. Its very low power consumption allows extended battery life and the tiny packages (SOT323-5L) satisfy the space-saving requirements of battery-powered equipment. Moreover, the STLQ50 provides wide input voltage operation from 2.5 V up to 12 V.

The PMOS pass element also permits a very good dropout values of 0.7 V at full load and at 125 °C without affecting consumption characteristics.

### 7.1 External components

The typical application schematic of the STLQ50 is shown in [Figure 4 - Figure 5](#), 1  $\mu\text{F}$  input and output capacitors placed close to the device are required for proper operation. The device is stable with electrolytic and ceramic output capacitors having values higher than 1  $\mu\text{F}$  (see [Figure 11](#) for stability details).

In the adjustable version the output voltage is programmed using an external resistor divider, as shown in [Figure 5](#). The output voltage can be adjusted from 1.22 to 11 V and it can be calculated using the following equation:

#### Equation 1

$$V_O = V_{FB} \times (1 + R_1/R_2)$$

where  $V_{FB} = 1.222 \text{ V}$  is the internal reference voltage.

The sum of the  $R_1$  and  $R_2$  resistors should be chosen in order to guarantee at least 1  $\mu\text{A}$  of divider current. Lower value resistors improve the noise performance but the quiescent current will increase. Higher value resistors should be avoided because the ADJ leakage current will influence the voltage set by the resistor divider, rendering the formula above no longer valid.

The suggested design procedure is to choose  $R_2 = 1 \text{ M}\Omega$  and then calculate  $R_1$  using the following equation:

#### Equation 2

$$R_1 = (V_O/V_{FB} - 1) \times R_2$$

### 7.2 Power dissipation

In order to ensure proper operation, the STLQ50 junction temperature should never exceed 125 °C; this limits the maximum power dissipation the regulator can sustain in any application. The maximum power dissipation can be calculated as:

#### Equation 3

$$P_{DMAX} = (T_{JMAX} - T_A)/R_{thJA}$$

where  $T_{JMAX} = 125 \text{ °C}$ ;

$T_A$  is the ambient temperature;

$R_{thJA}$  is the junction-to-ambient thermal resistance of the package (see [Table 4](#) thermal data).

The power dissipation can be calculated simply as:

#### Equation 4

$$P_D = (V_I - V_O) \times I_O$$

In every application condition,  $P_D$  must be lower than  $P_{DMAX}$ .

## 7.3 Protection

The PMOS pass element has an internal diode with anode connected to  $V_O$  and cathode to  $V_I$ . In case  $V_O > V_I$ , the current will flow from output to input without limitation. In this case, a proper limiting network is recommended.

The current limitation is automatically provided by the characteristics of the PMOS pass element (see typical characteristics), so the short-circuit current is dependent on the input voltage. When considering short-circuit current, take care in any case not to exceed the maximum sustainable power dissipation of the device.

The STLQ50 features an internal thermal protection that linearly reduces the output current when the internal temperature increases. Consequently, at a given load, the output voltage decreases also. The action of the thermal protection starts at 125 °C when the output voltage slightly decreases, while close to 163 °C the output voltage drops to 0 V. Since this is a linear control, sudden overcurrent conditions can quickly raise the chip temperature without giving time for the thermal protection to act, so it cannot be used as a limitation for the output current.

## 8 Package mechanical data

In order to meet environmental requirements, ST offers these devices in different grades of ECOPACK® packages, depending on their level of environmental compliance. ECOPACK specifications, grade definitions and product status are available at: [www.st.com](http://www.st.com). ECOPACK is an ST trademark.

Figure 18. SOT323-5L drawing

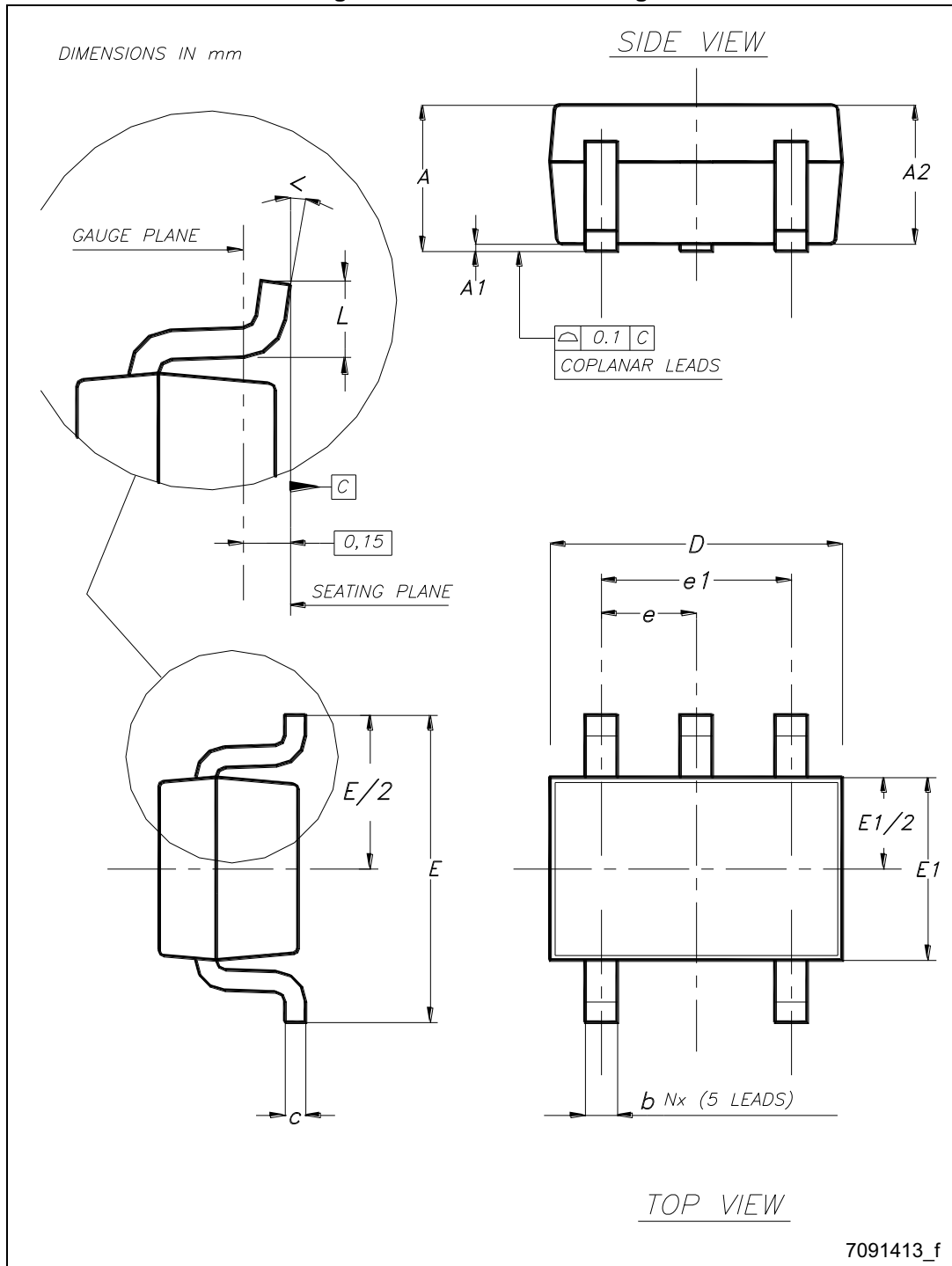


Table 6. SOT323-5L mechanical data

Dim.	mm		
	Min.	Typ.	Max.
A	0.80		1.10
A1	0		0.10
A2	0.80	0.90	1
b	0.15		0.30
c	0.10		0.22
D	1.80	2	2.20
E	1.80	2.10	2.40
E1	1.15	1.25	1.35
e		0.65	
e1		1.30	
L	0.26	0.36	0.46
<	0°		8°

## 9 Packaging mechanical data

Figure 19. SOT323-xL tape and reel drawing

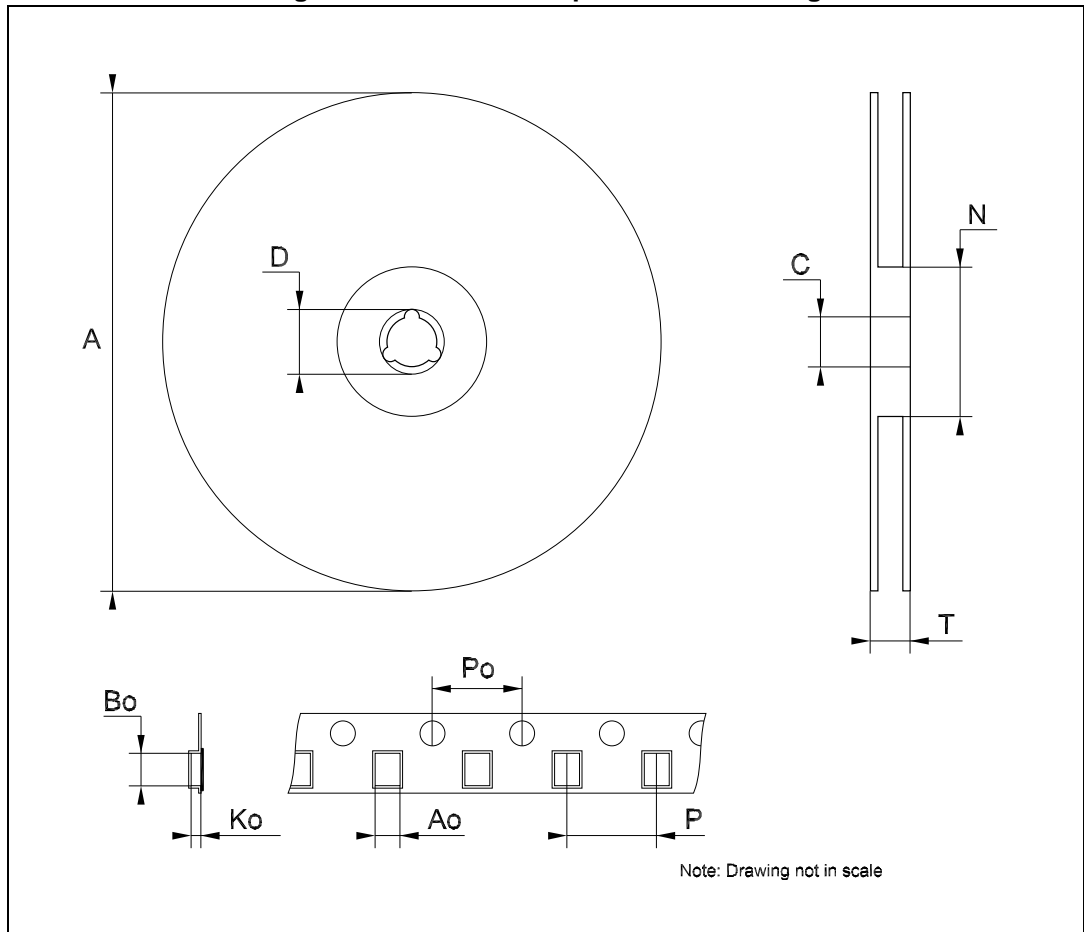


Table 7. SOT323-xL tape and reel mechanical data

Dim.	mm		
	Min.	Typ.	Max.
A	175	180	185
C	12.8	13	13.2
D	20.2		
N	59.5	60	60.5
T			14.4
Ao		2.25	
Bo		3.17	
Ko		1.2	
Po	3.9	4.0	4.1
P	3.9	4.0	4.2



## 10 Revision history

**Table 8. Document revision history**

Date	Revision	Changes
07-Feb-2007	1	Initial release.
13-Feb-2007	2	Typo in cover page 350 mA ==> 350 mV.
06-Jul-2007	3	Added part number.
14-Nov-2007	4	Added <a href="#">Table 1</a> .
31-Jan-2013	5	– Modified line regulation test condition <a href="#">Table 5 on page 6</a> . – Minor text changes throughout the document.
09-May-2014	6	Part number STLQ50xx changed to STLQ50. Removed SOT23-5L package. Updated <a href="#">Table 1: Device summary</a> , <a href="#">Section 1: Block diagram</a> , <a href="#">Section 2: Pin configuration</a> , <a href="#">Section 3: Maximum ratings</a> , <a href="#">Section 5: Typical application</a> , <a href="#">Section 7: Application information</a> , <a href="#">Section 8: Package mechanical data</a> . Added <a href="#">Section 9: Packaging mechanical data</a> . Minor text changes.

**Please Read Carefully:**

Information in this document is provided solely in connection with ST products. STMicroelectronics NV and its subsidiaries ("ST") reserve the right to make changes, corrections, modifications or improvements, to this document, and the products and services described herein at any time, without notice.

All ST products are sold pursuant to ST's terms and conditions of sale.

Purchasers are solely responsible for the choice, selection and use of the ST products and services described herein, and ST assumes no liability whatsoever relating to the choice, selection or use of the ST products and services described herein.

No license, express or implied, by estoppel or otherwise, to any intellectual property rights is granted under this document. If any part of this document refers to any third party products or services it shall not be deemed a license grant by ST for the use of such third party products or services, or any intellectual property contained therein or considered as a warranty covering the use in any manner whatsoever of such third party products or services or any intellectual property contained therein.

**UNLESS OTHERWISE SET FORTH IN ST'S TERMS AND CONDITIONS OF SALE ST DISCLAIMS ANY EXPRESS OR IMPLIED WARRANTY WITH RESPECT TO THE USE AND/OR SALE OF ST PRODUCTS INCLUDING WITHOUT LIMITATION IMPLIED WARRANTIES OF MERCHANTABILITY, FITNESS FOR A PARTICULAR PURPOSE (AND THEIR EQUIVALENTS UNDER THE LAWS OF ANY JURISDICTION), OR INFRINGEMENT OF ANY PATENT, COPYRIGHT OR OTHER INTELLECTUAL PROPERTY RIGHT.**

**ST PRODUCTS ARE NOT DESIGNED OR AUTHORIZED FOR USE IN: (A) SAFETY CRITICAL APPLICATIONS SUCH AS LIFE SUPPORTING, ACTIVE IMPLANTED DEVICES OR SYSTEMS WITH PRODUCT FUNCTIONAL SAFETY REQUIREMENTS; (B) AERONAUTIC APPLICATIONS; (C) AUTOMOTIVE APPLICATIONS OR ENVIRONMENTS, AND/OR (D) AEROSPACE APPLICATIONS OR ENVIRONMENTS. WHERE ST PRODUCTS ARE NOT DESIGNED FOR SUCH USE, THE PURCHASER SHALL USE PRODUCTS AT PURCHASER'S SOLE RISK, EVEN IF ST HAS BEEN INFORMED IN WRITING OF SUCH USAGE, UNLESS A PRODUCT IS EXPRESSLY DESIGNATED BY ST AS BEING INTENDED FOR "AUTOMOTIVE, AUTOMOTIVE SAFETY OR MEDICAL" INDUSTRY DOMAINS ACCORDING TO ST PRODUCT DESIGN SPECIFICATIONS. PRODUCTS FORMALLY ESCC, QML OR JAN QUALIFIED ARE DEEMED SUITABLE FOR USE IN AEROSPACE BY THE CORRESPONDING GOVERNMENTAL AGENCY.**

Resale of ST products with provisions different from the statements and/or technical features set forth in this document shall immediately void any warranty granted by ST for the ST product or service described herein and shall not create or extend in any manner whatsoever, any liability of ST.

ST and the ST logo are trademarks or registered trademarks of ST in various countries.

Information in this document supersedes and replaces all information previously supplied.

The ST logo is a registered trademark of STMicroelectronics. All other names are the property of their respective owners.

© 2014 STMicroelectronics - All rights reserved

STMicroelectronics group of companies

Australia - Belgium - Brazil - Canada - China - Czech Republic - Finland - France - Germany - Hong Kong - India - Israel - Italy - Japan - Malaysia - Malta - Morocco - Philippines - Singapore - Spain - Sweden - Switzerland - United Kingdom - United States of America

[www.st.com](http://www.st.com)

Компания «Океан Электроники» предлагает заключение долгосрочных отношений при поставках импортных электронных компонентов на взаимовыгодных условиях!

Наши преимущества:

- Поставка оригинальных импортных электронных компонентов напрямую с производств Америки, Европы и Азии, а так же с крупнейших складов мира;
- Широкая линейка поставок активных и пассивных импортных электронных компонентов (более 30 млн. наименований);
- Поставка сложных, дефицитных, либо снятых с производства позиций;
- Оперативные сроки поставки под заказ (от 5 рабочих дней);
- Экспресс доставка в любую точку России;
- Помощь Конструкторского Отдела и консультации квалифицированных инженеров;
- Техническая поддержка проекта, помощь в подборе аналогов, поставка прототипов;
- Поставка электронных компонентов под контролем ВП;
- Система менеджмента качества сертифицирована по Международному стандарту ISO 9001;
- При необходимости вся продукция военного и аэрокосмического назначения проходит испытания и сертификацию в лаборатории (по согласованию с заказчиком);
- Поставка специализированных компонентов военного и аэрокосмического уровня качества (Xilinx, Altera, Analog Devices, Intersil, Interpoint, Microsemi, Actel, Aeroflex, Peregrine, VPT, Syfer, Eurofarad, Texas Instruments, MS Kennedy, Miteq, Cobham, E2V, MA-COM, Hittite, Mini-Circuits, General Dynamics и др.);

Компания «Океан Электроники» является официальным дистрибьютором и эксклюзивным представителем в России одного из крупнейших производителей разъемов военного и аэрокосмического назначения «JONHON», а так же официальным дистрибьютором и эксклюзивным представителем в России производителя высокотехнологичных и надежных решений для передачи СВЧ сигналов «FORSTAR».



## JONHON

«JONHON» (основан в 1970 г.)

Разъемы специального, военного и аэрокосмического назначения:

(Применяются в военной, авиационной, аэрокосмической, морской, железнодорожной, горно- и нефтедобывающей отраслях промышленности)

«FORSTAR» (основан в 1998 г.)

ВЧ соединители, коаксиальные кабели, кабельные сборки и микроволновые компоненты:

(Применяются в телекоммуникациях гражданского и специального назначения, в средствах связи, РЛС, а так же военной, авиационной и аэрокосмической отраслях промышленности).



Телефон: 8 (812) 309-75-97 (многоканальный)

Факс: 8 (812) 320-03-32

Электронная почта: [ocean@oceanchips.ru](mailto:ocean@oceanchips.ru)

Web: <http://oceanchips.ru/>

Адрес: 198099, г. Санкт-Петербург, ул. Калинина, д. 2, корп. 4, лит. А